

BANAK

AVELIN

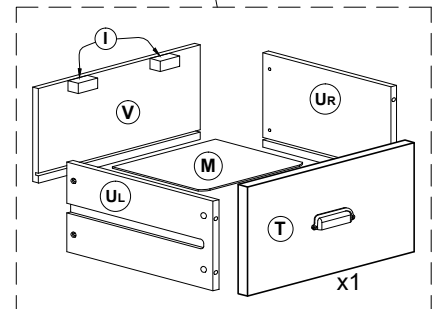
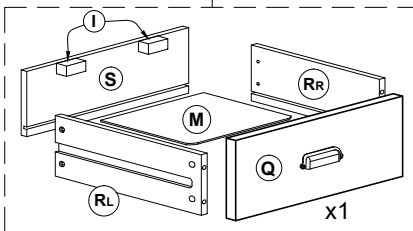
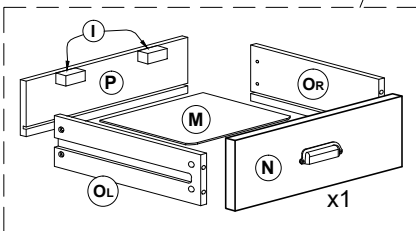
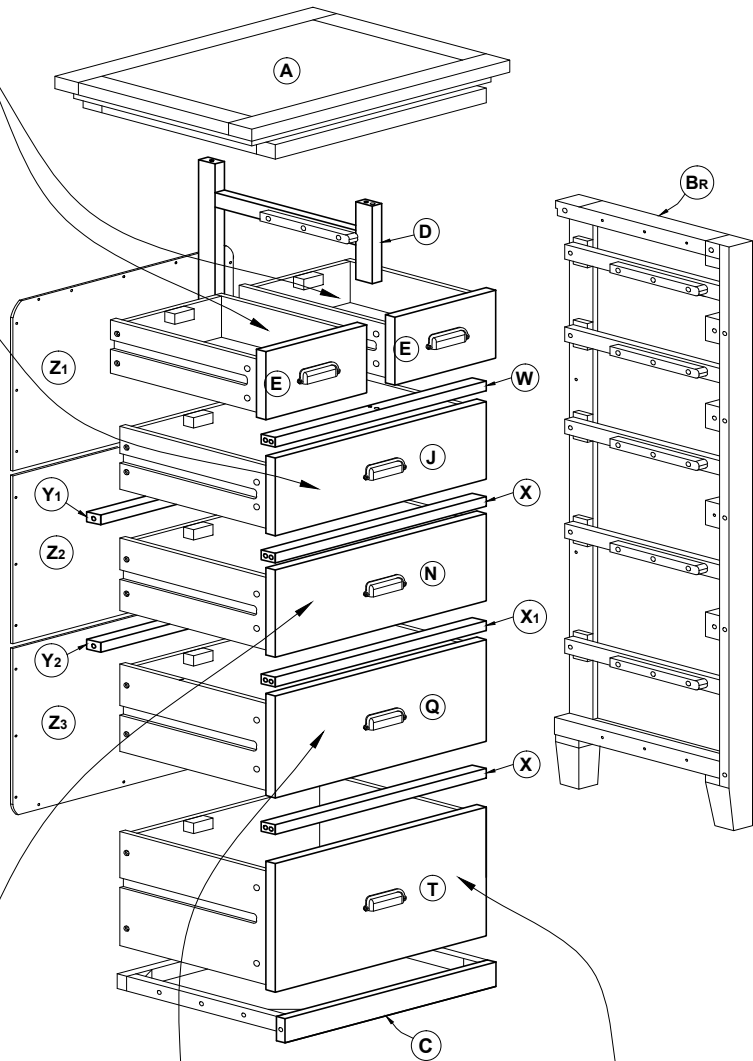
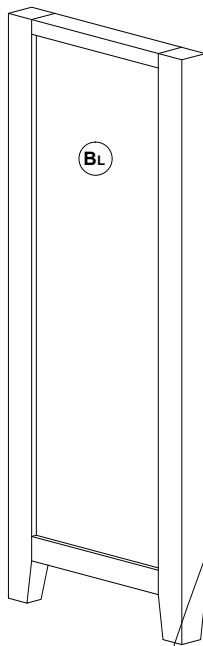
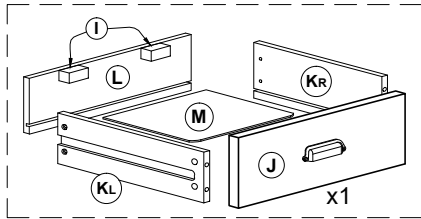
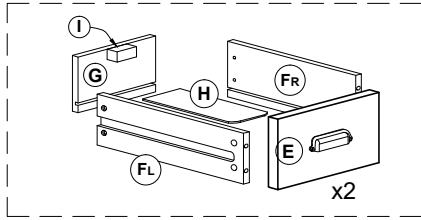
AL-0004B-A-2



BANAK

AVELIN

AL-0004B-A-2

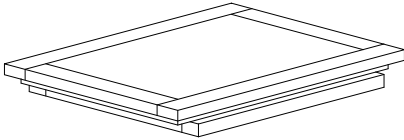


BANAK

AVELIN

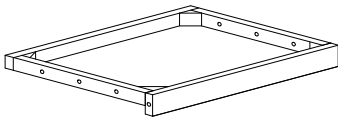
AL-0004B-A-2

A



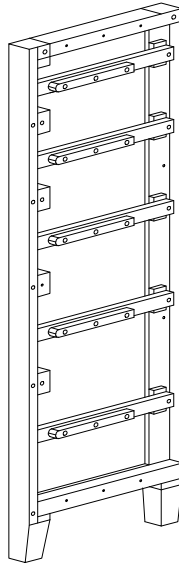
x1

C



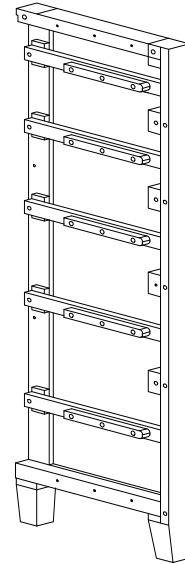
x1

BL



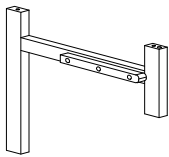
x1

BR



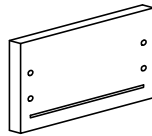
x1

D



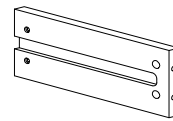
x1

E



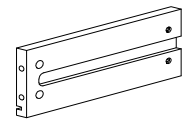
x2

FL



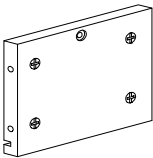
x2

FR



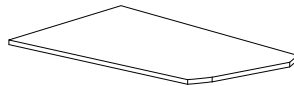
x2

G



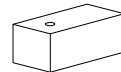
x2

H



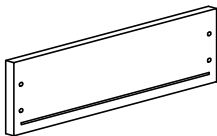
x2

I



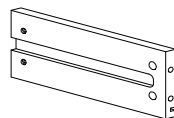
x10

J



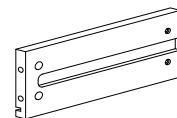
x1

KL



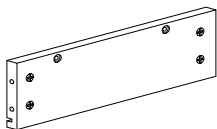
x1

KR



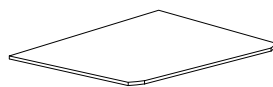
x1

L



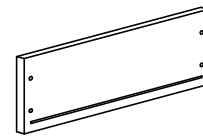
x1

M



x4

N



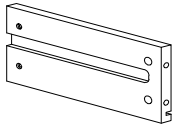
x1

BANAK

AVELIN

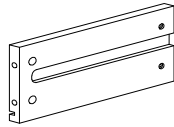
AL-0004B-A-2

OL



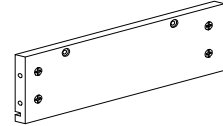
x1

OR



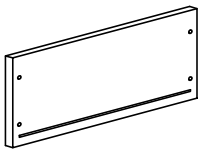
x1

P



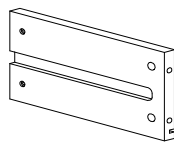
x1

Q



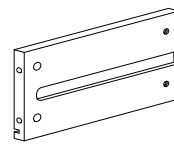
x1

RL



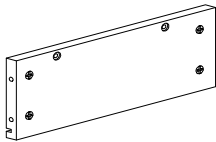
x1

RR



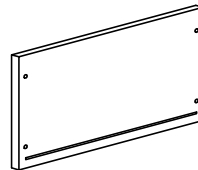
x1

S



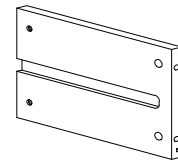
x1

T



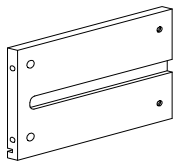
x1

UL



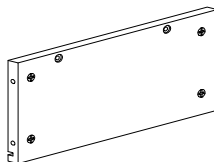
x1

UR



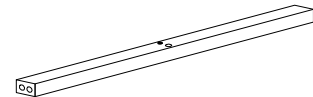
x1

V



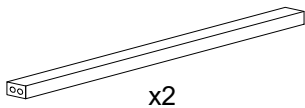
x1

W



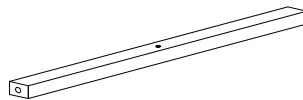
x1

X



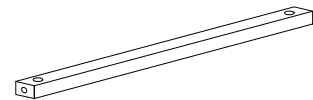
x2

Y1



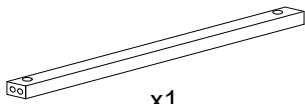
x1

Y2



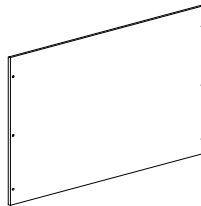
x1

X1



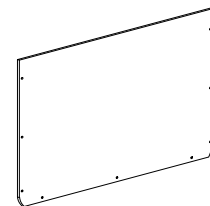
x1

Z2



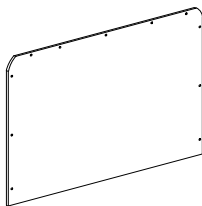
x1

Z3



x1

Z1



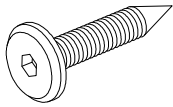
x1

BANAK

AVELIN

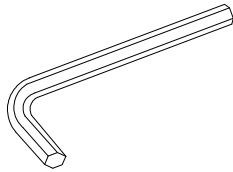
AL-0004B-A-2

1



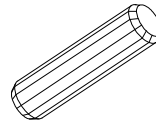
x12
M6x30

2



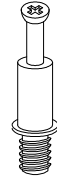
x1
4mm

3



x18
Ø8x30

4

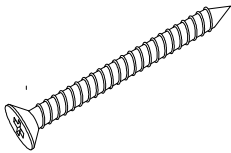


x24
Ø6



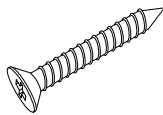
x24
Ø12x10

5



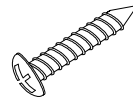
x24
M4x40

6

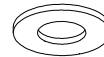


x10
M4x25

7

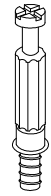


x30
M3.5x15



x6
Ø4/Ø8

8

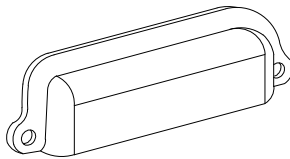


x10
Ø7

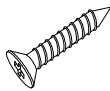


x10
Ø15

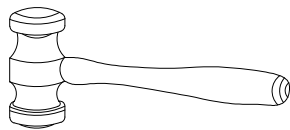
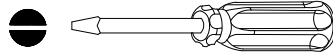
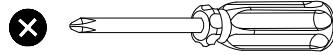
9



x6
HANDLE



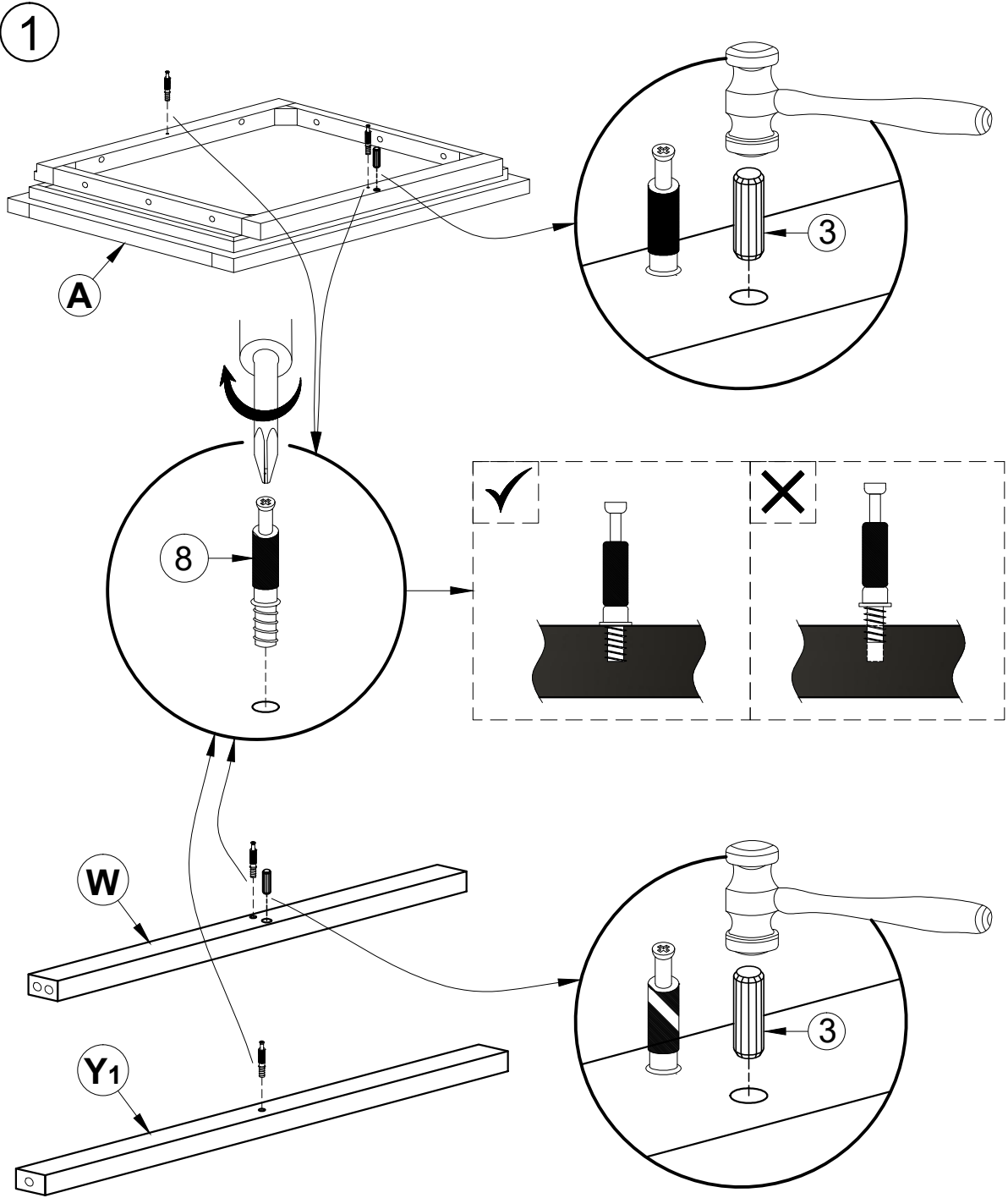
x12
M3x15



BANAK

AVELIN

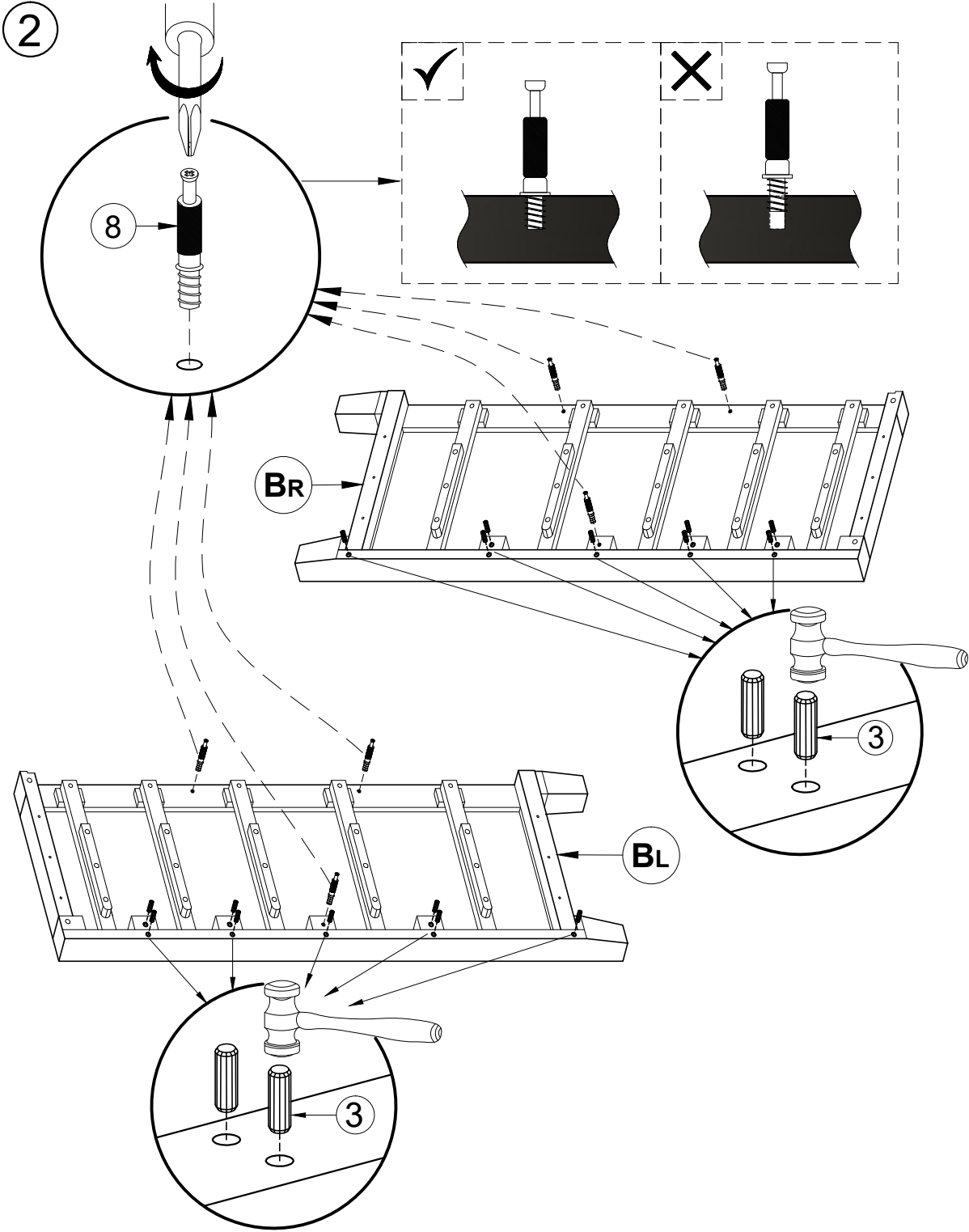
AL-0004B-A-2



BANAK

AVELIN

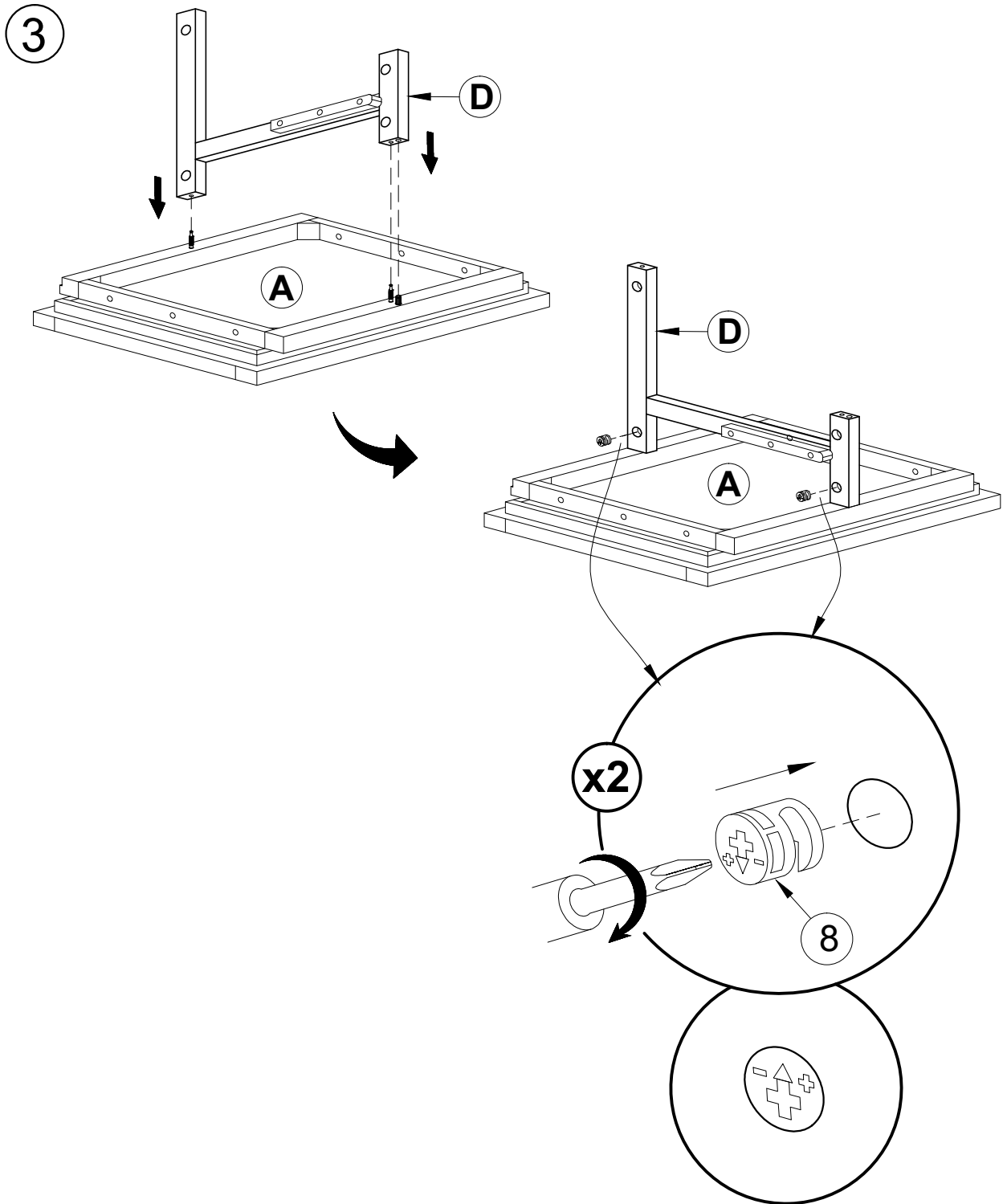
AL-0004B-A-2



BANAK

AVELIN

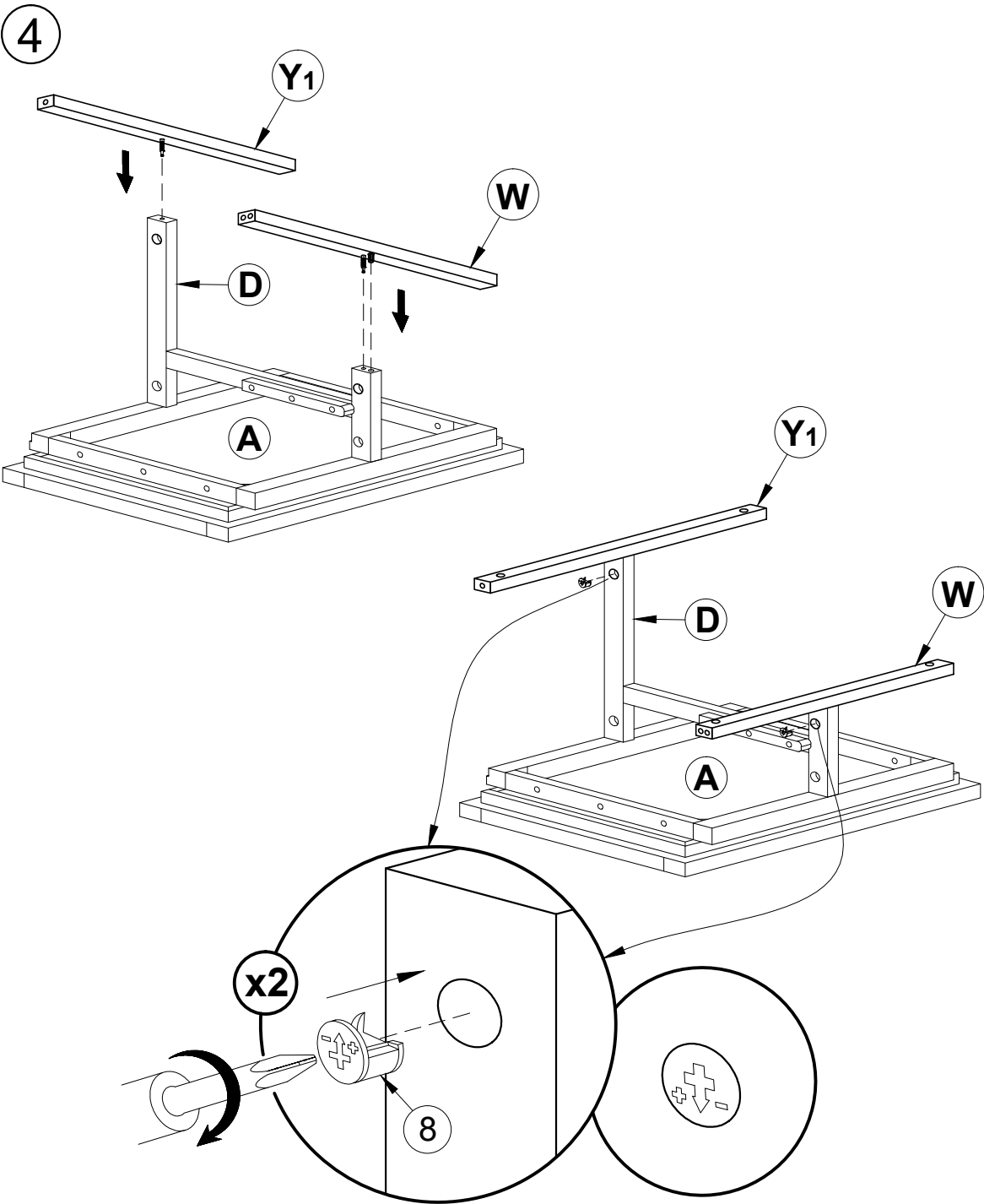
AL-0004B-A-2



BANAK

AVELIN

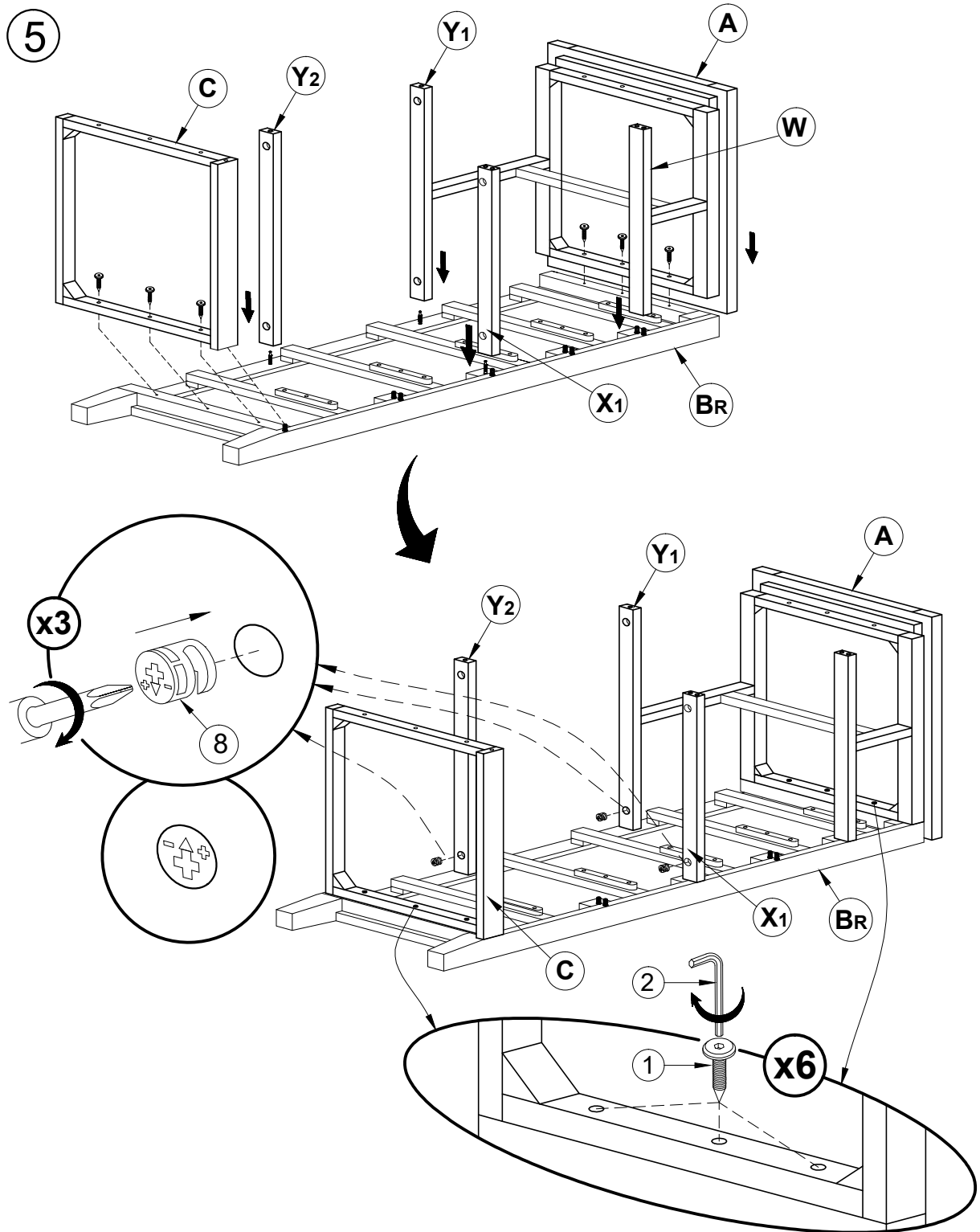
AL-0004B-A-2



BANAK

AVELIN

AL-0004B-A-2

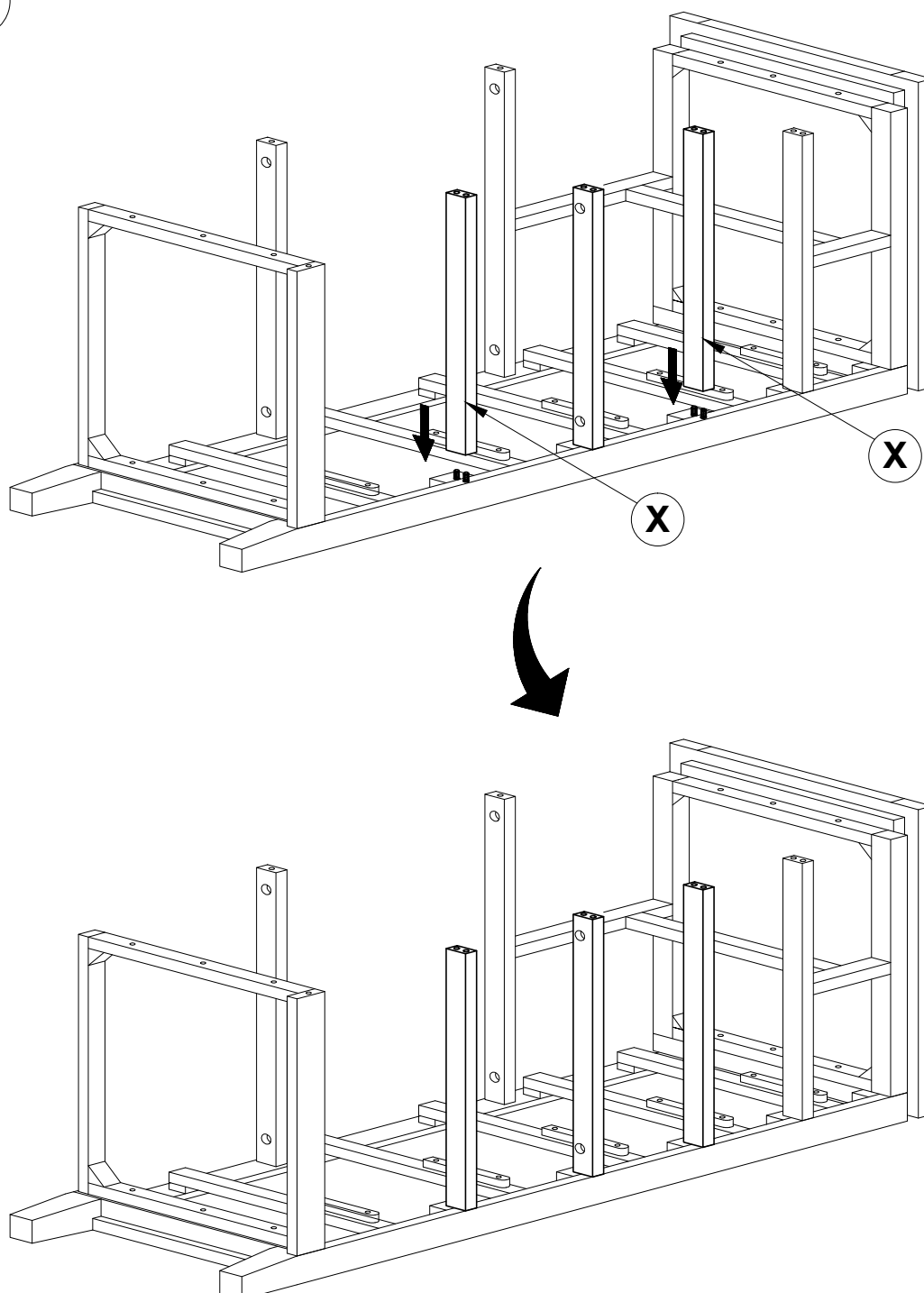


BANAK

AVELIN

AL-0004B-A-2

5

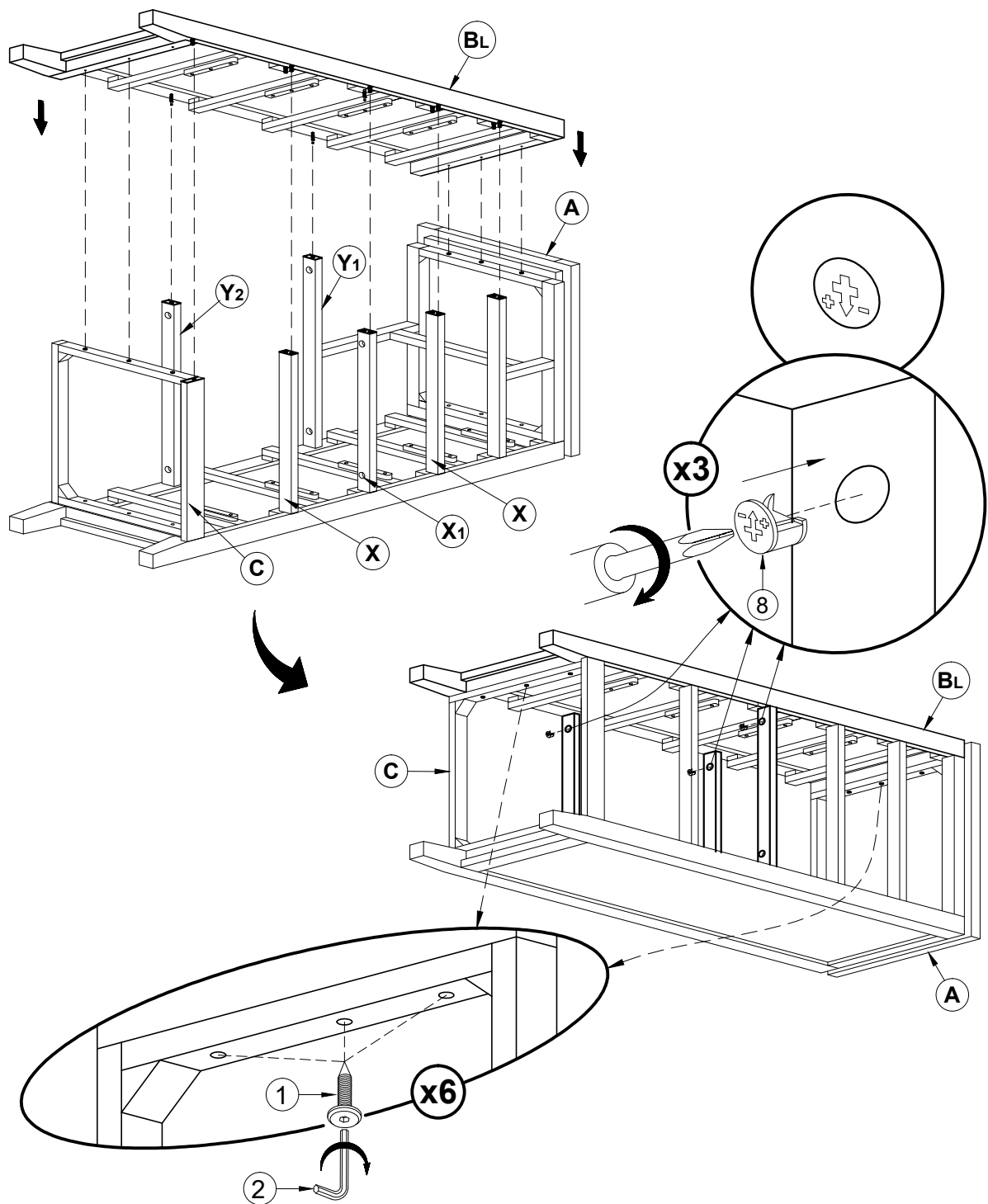


BANAK

AVELIN

AL-0004B-A-2

6

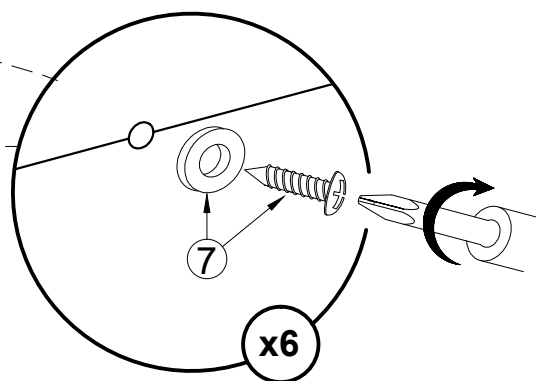
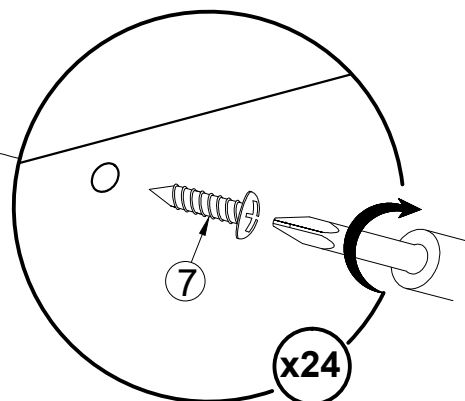
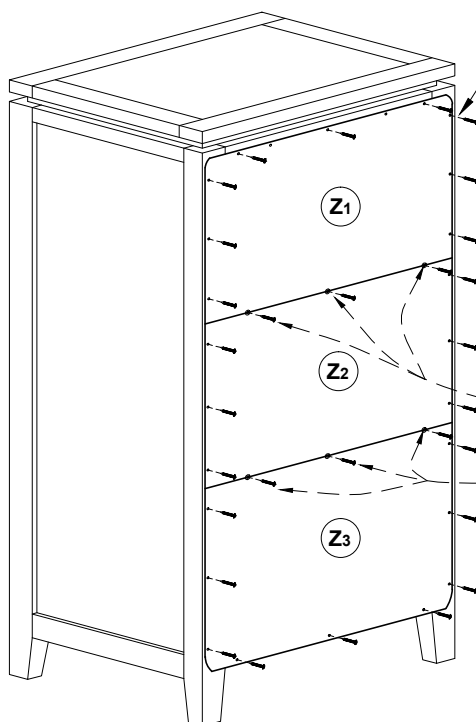
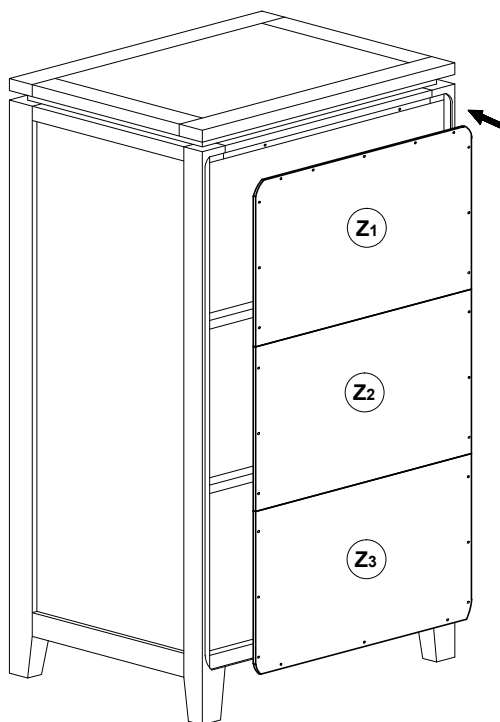


BANAK

AVELIN

AL-0004B-A-2

7

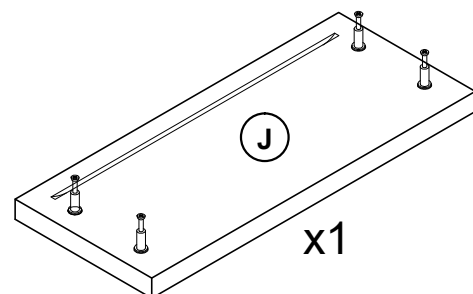
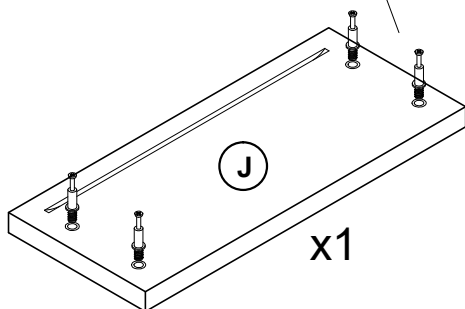
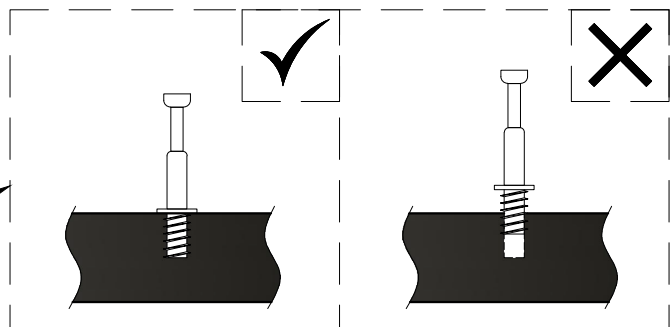
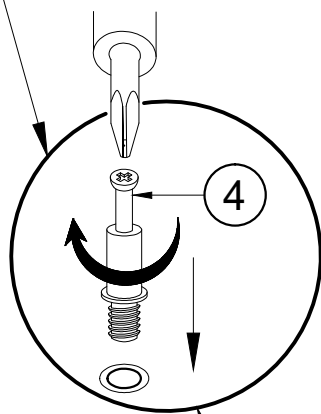
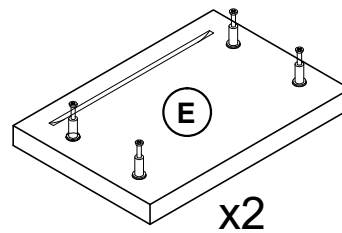
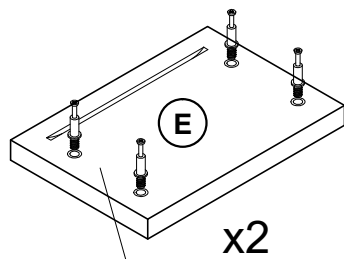


BANAK

AVELIN

AL-0004B-A-2

8

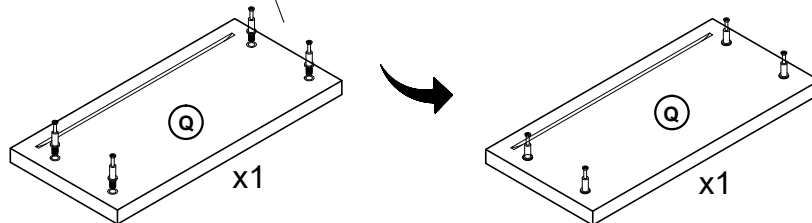
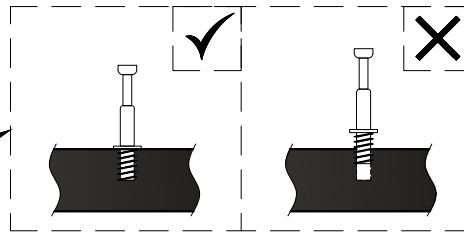
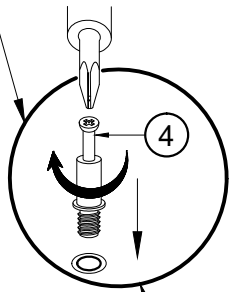
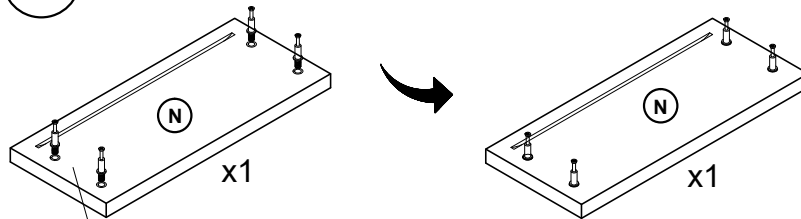


BANAK

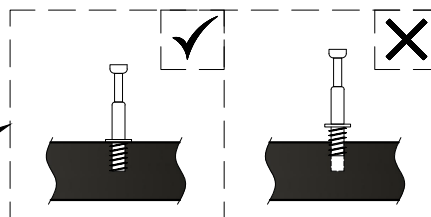
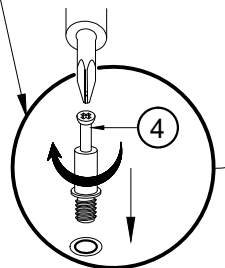
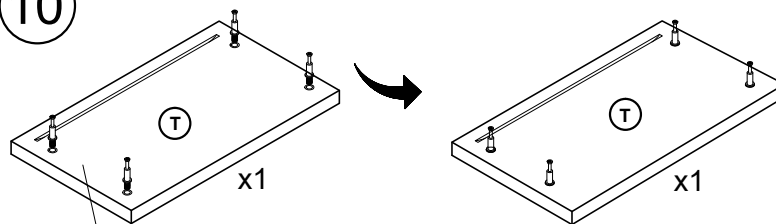
AVELIN

AL-0004B-A-2

9



10

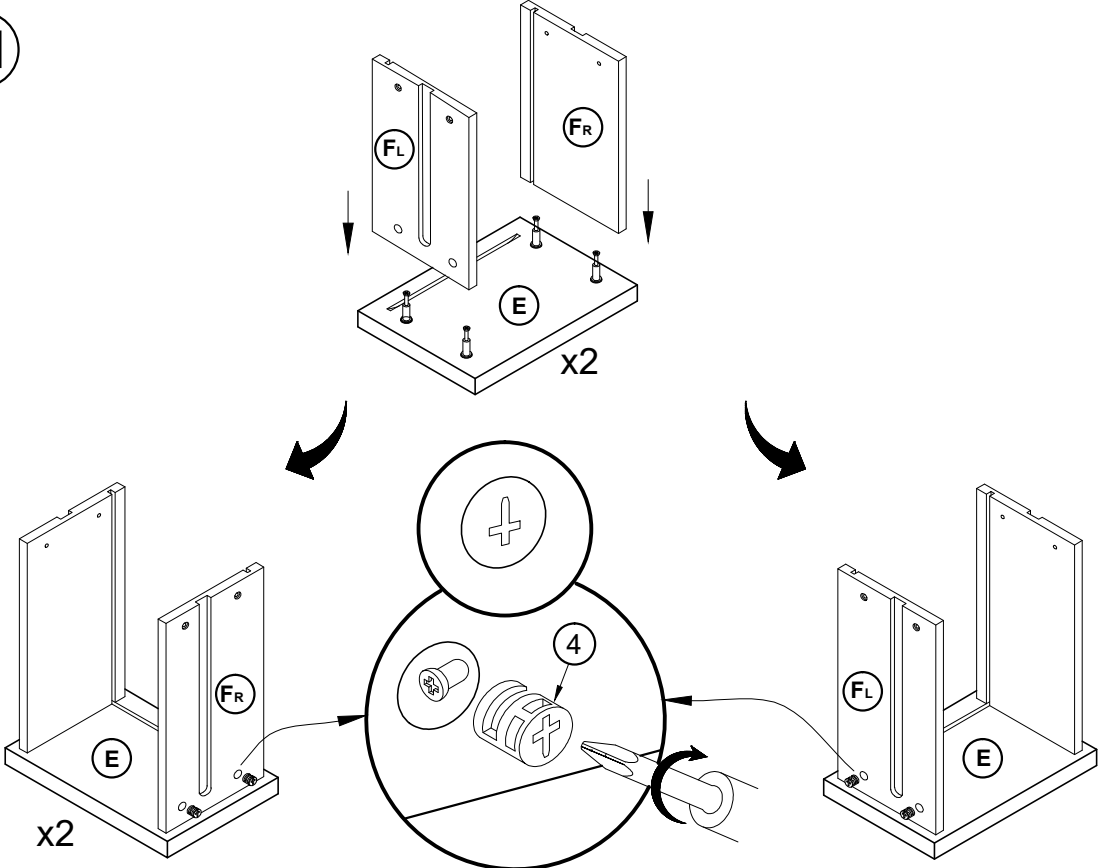


BANAK

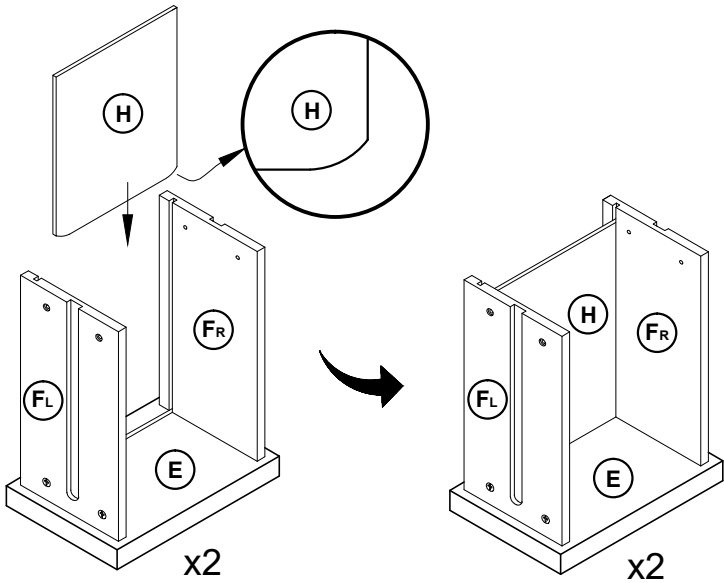
AVELIN

AL-0004B-A-2

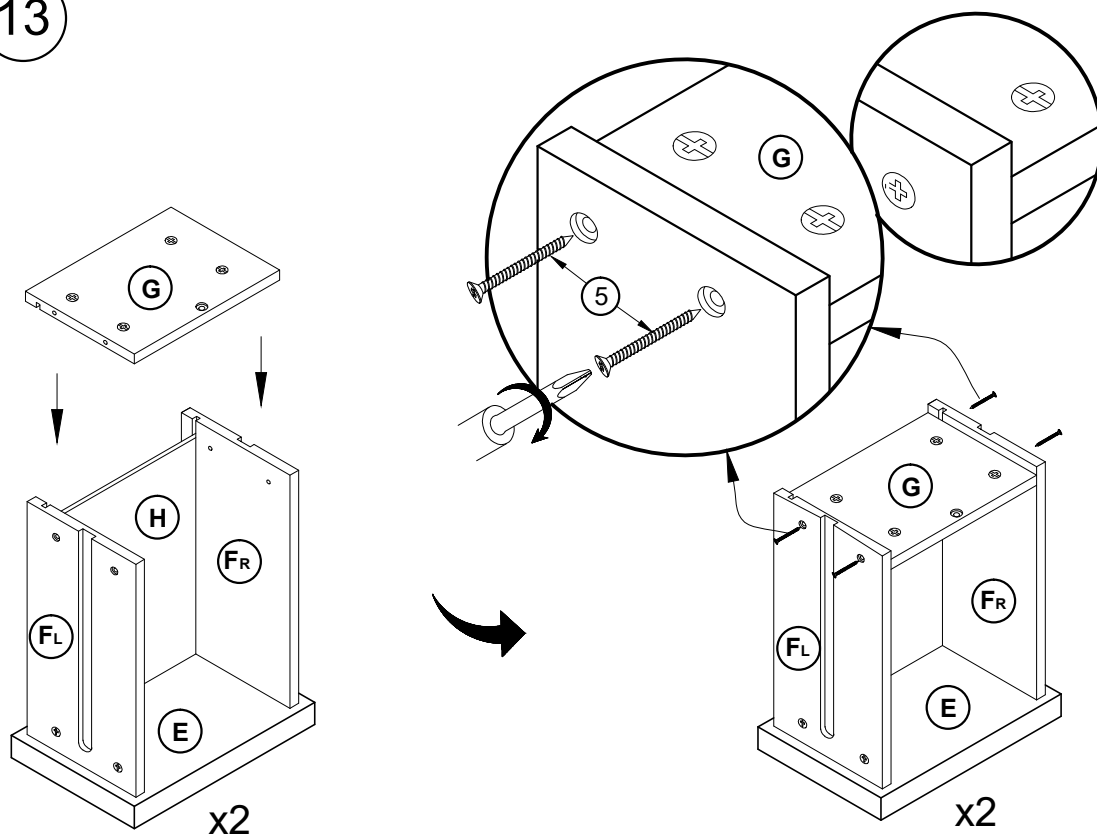
11



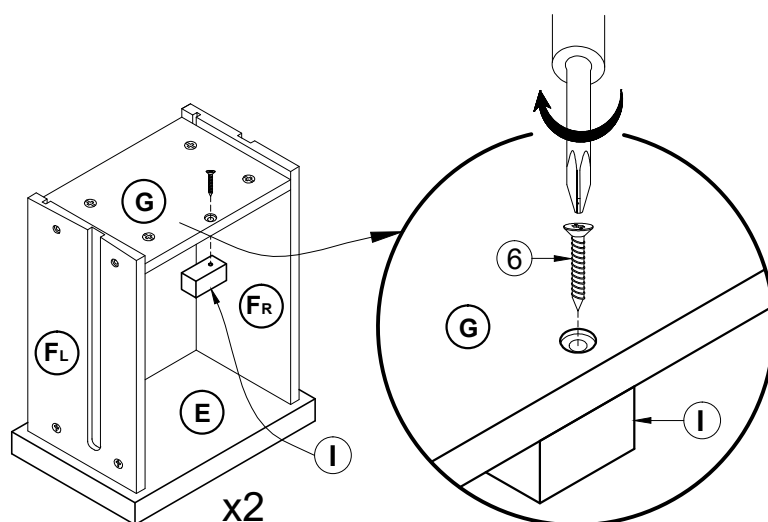
12



13



14

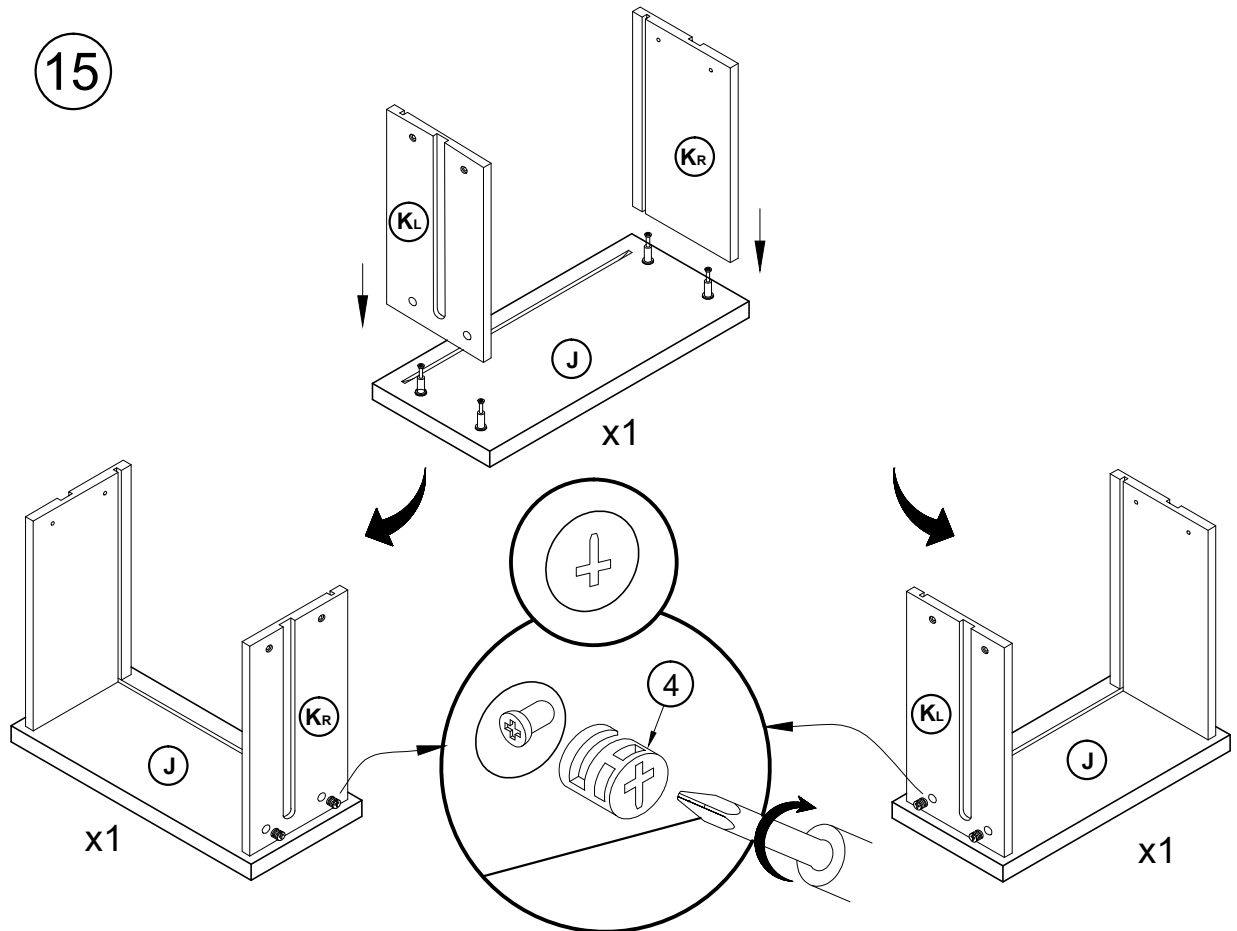


BANAK

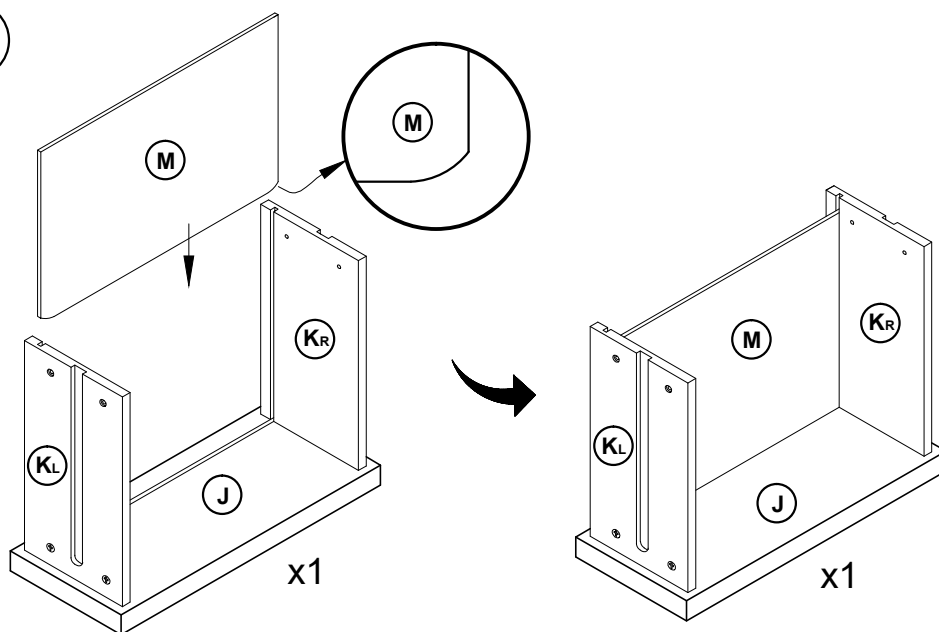
AVELIN

AL-0004B-A-2

15



16

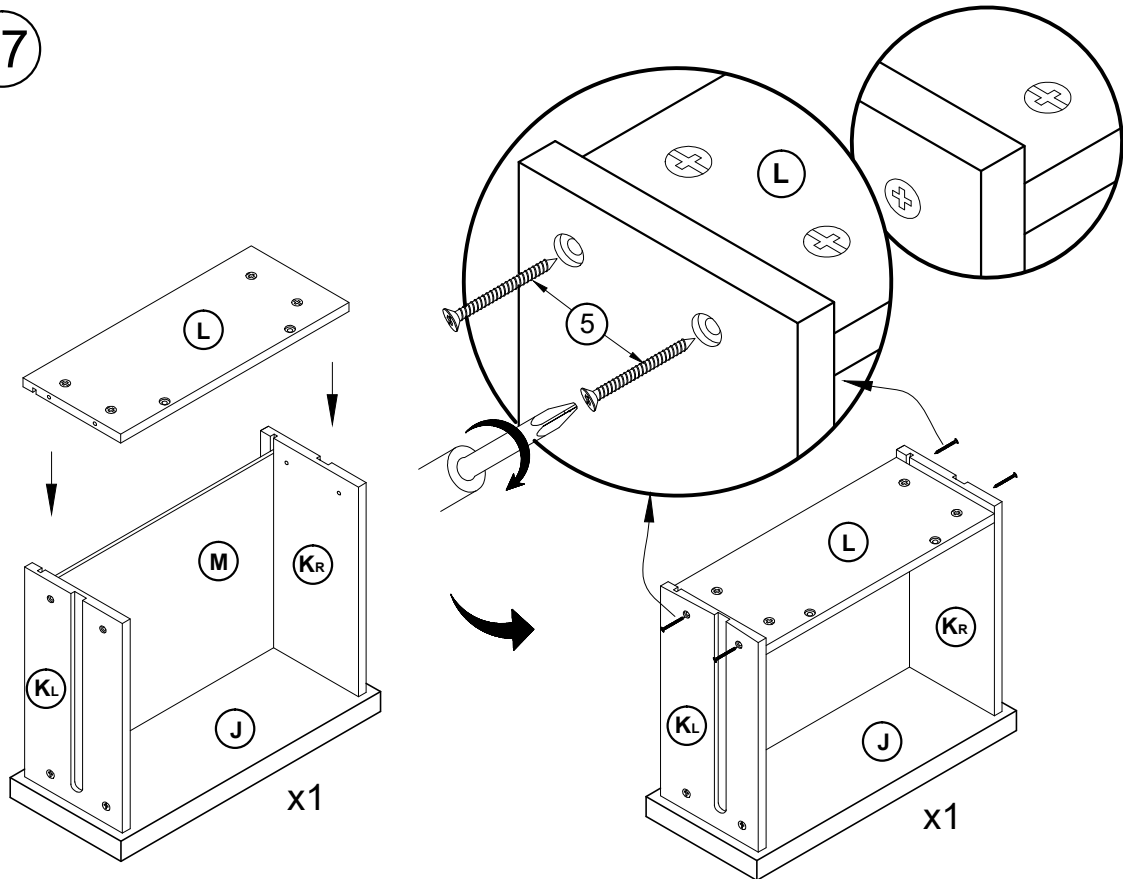


BANAK

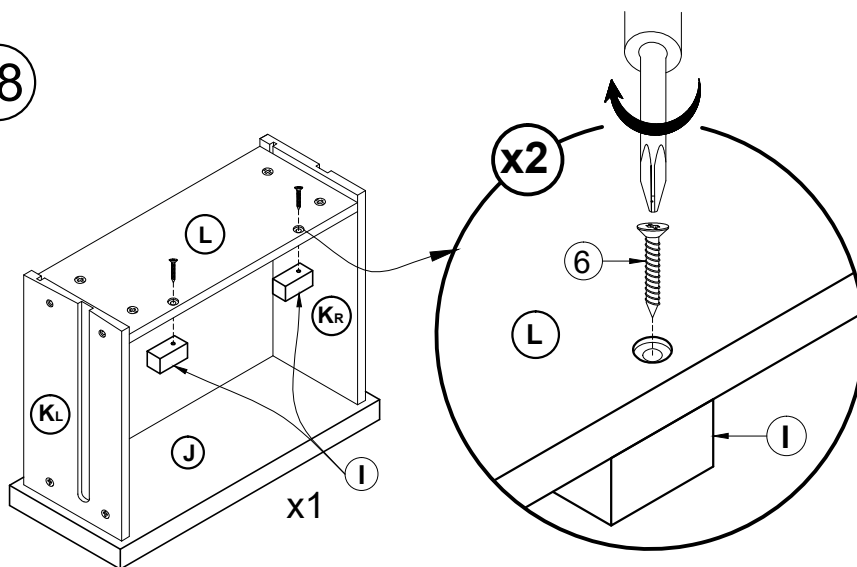
AVELIN

AL-0004B-A-2

17



18

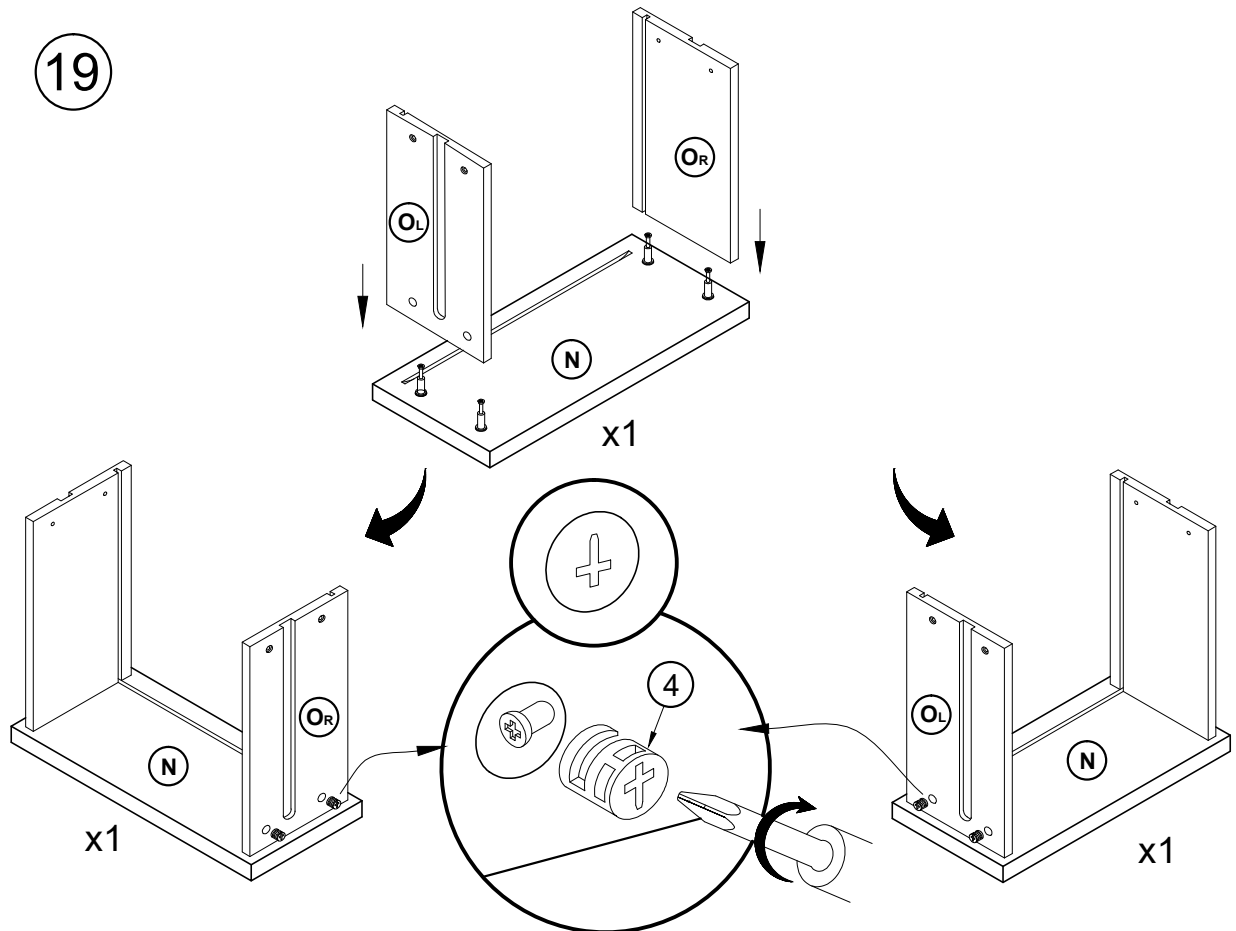


BANAK

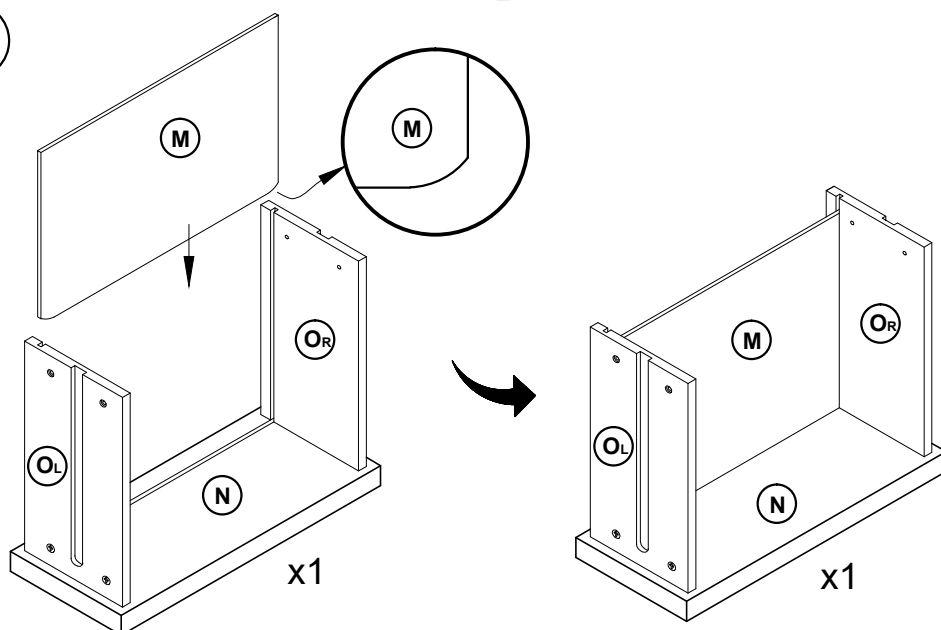
AVELIN

AL-0004B-A-2

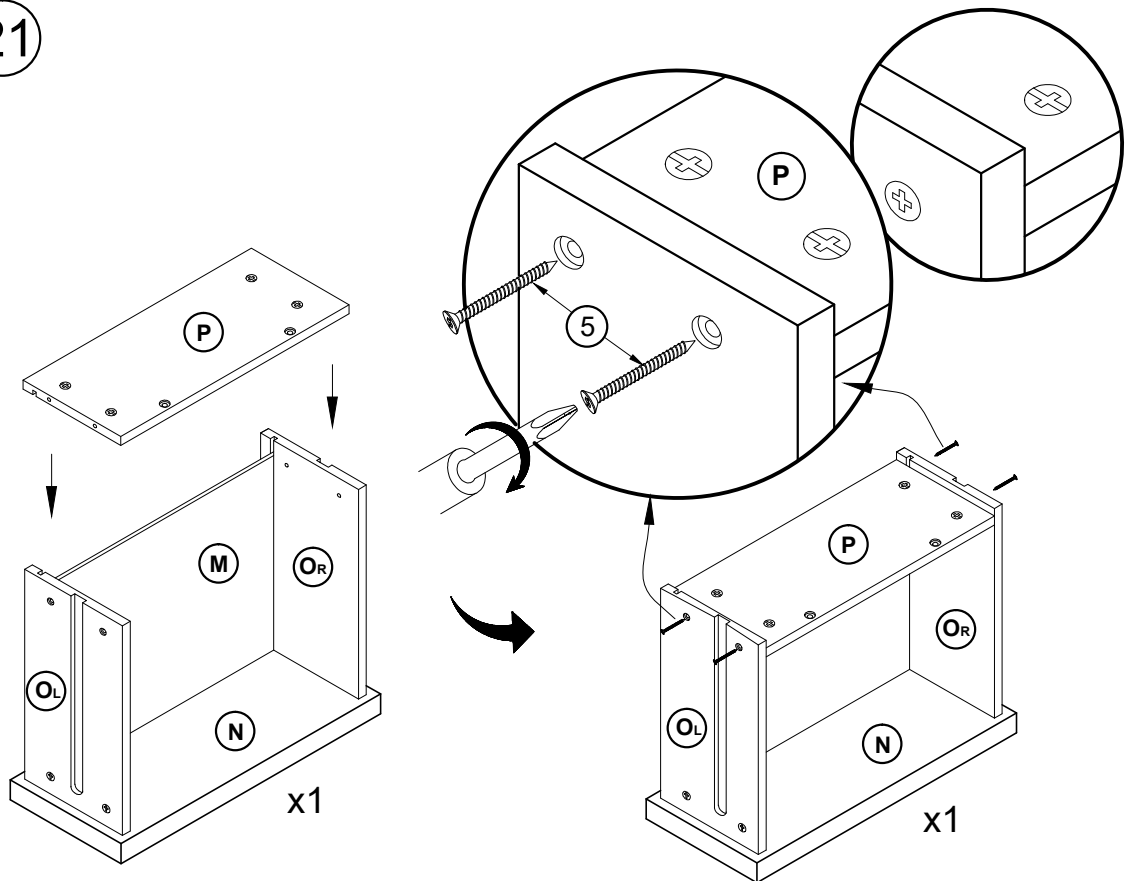
19



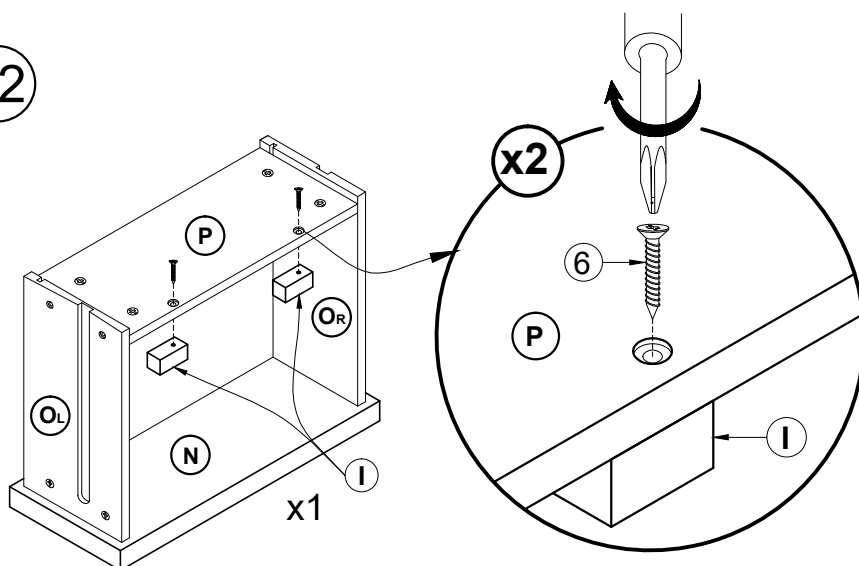
20



21



22

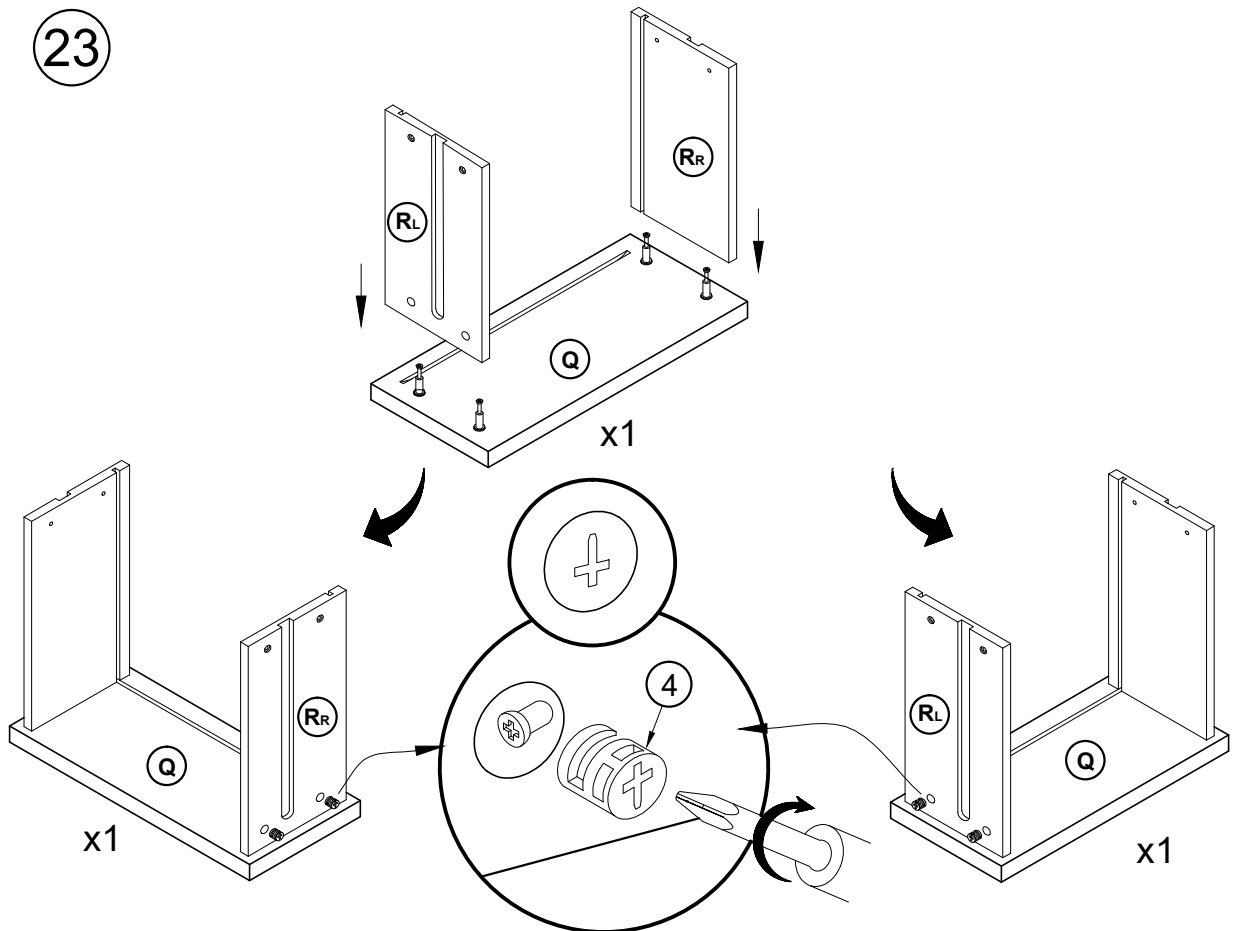


BANAK

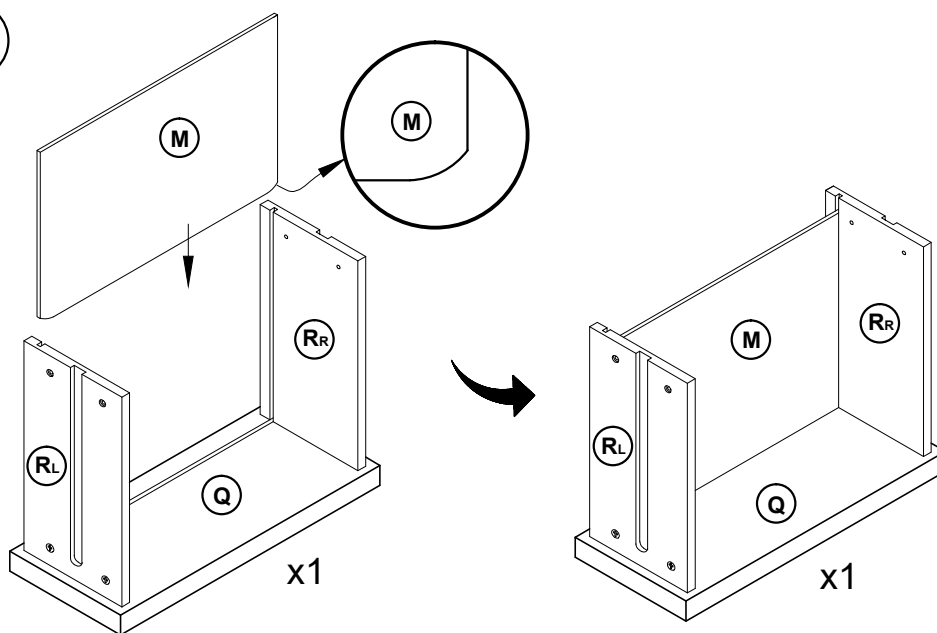
AVELIN

AL-0004B-A-2

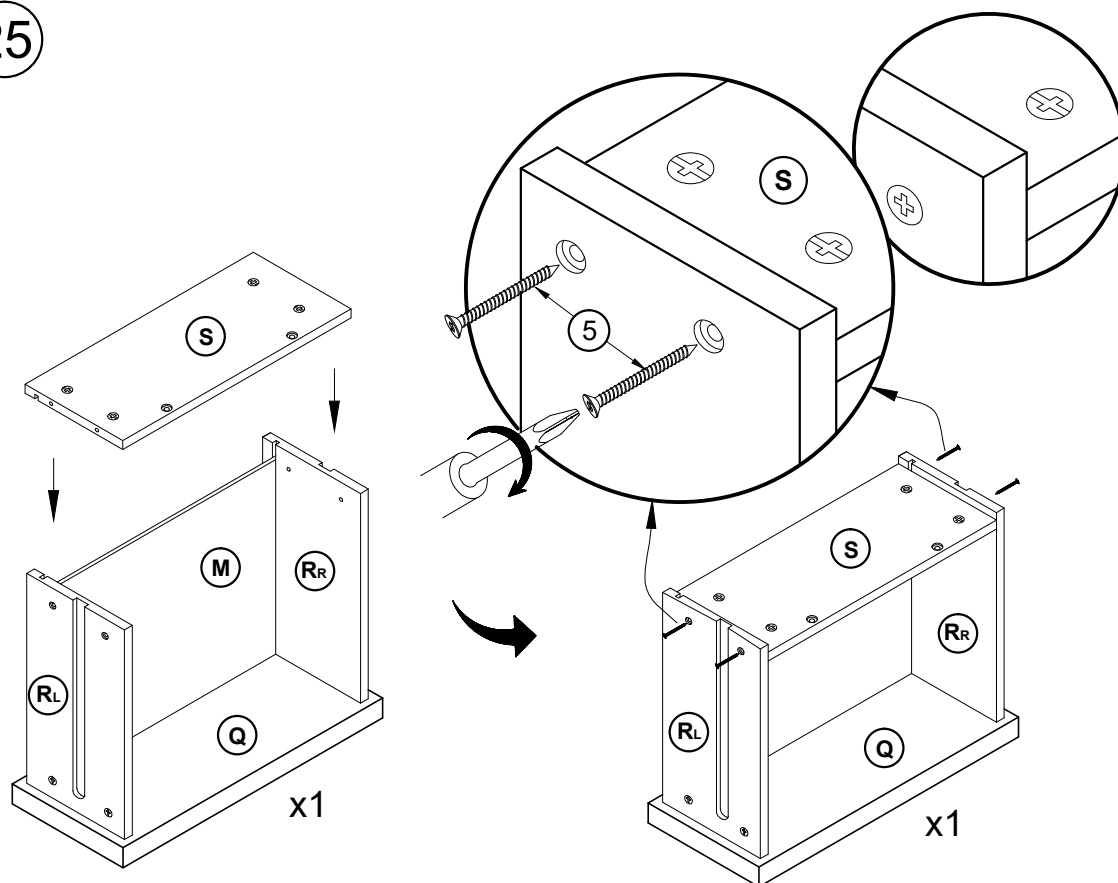
23



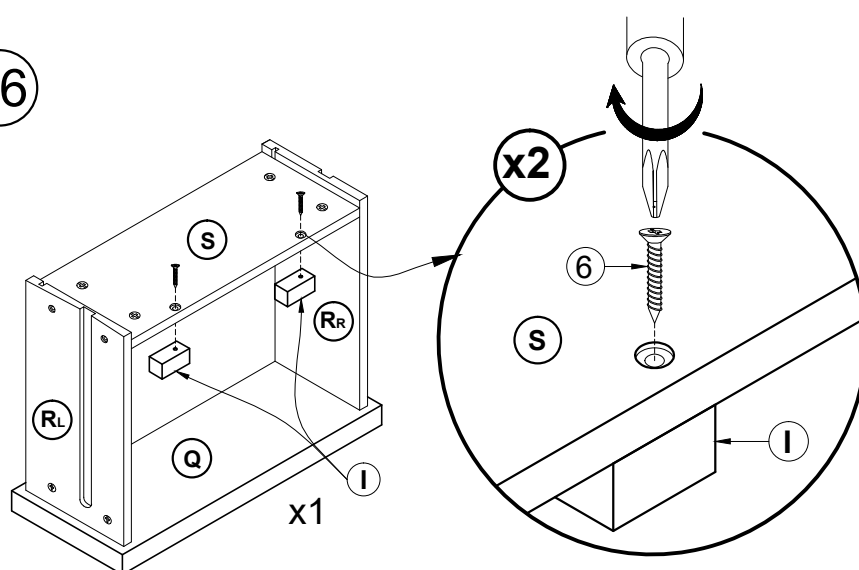
24



25



26

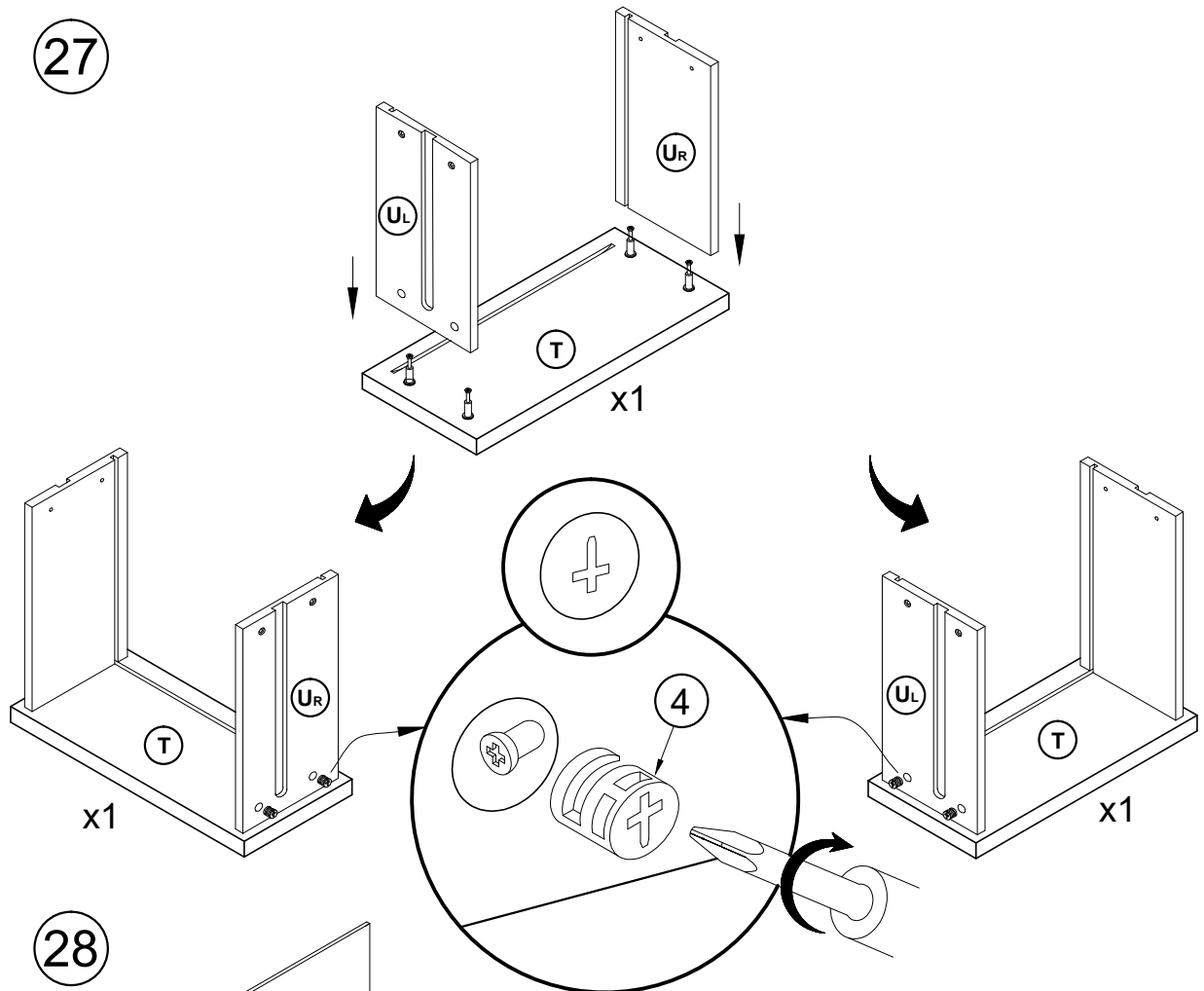


BANAK

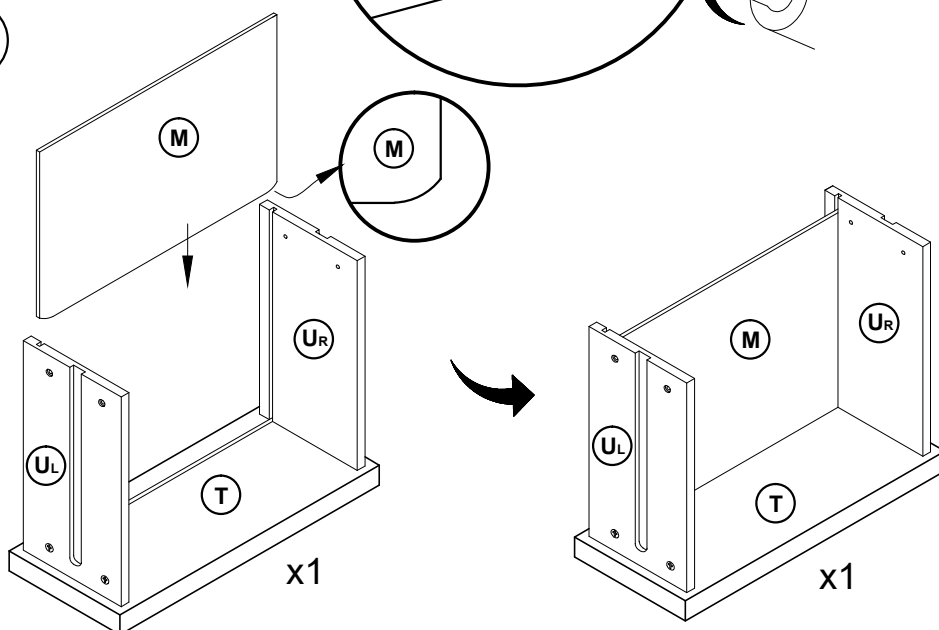
AVELIN

AL-0004B-A-2

27



28

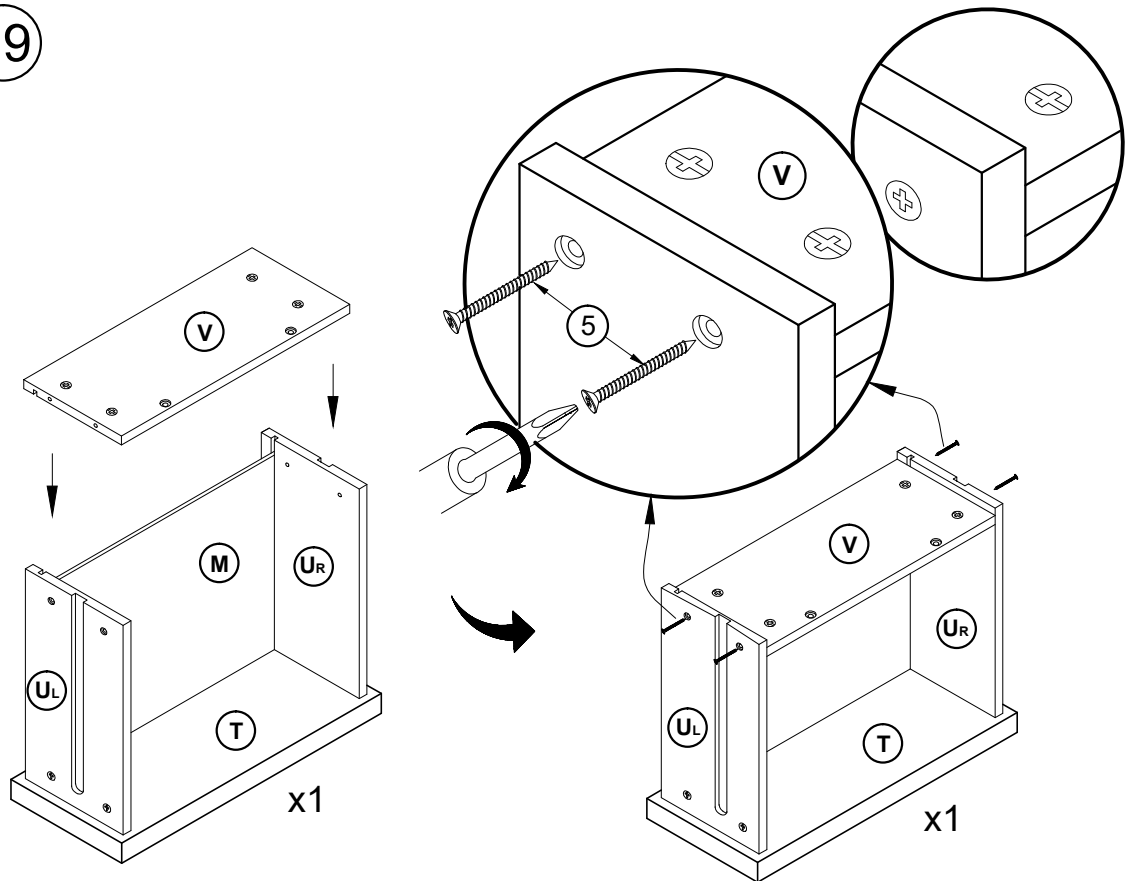


BANAK

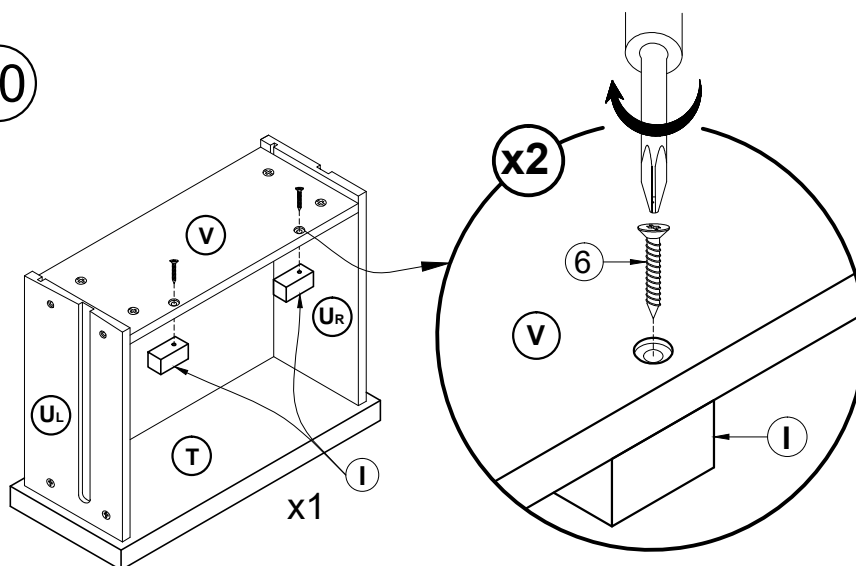
AVELIN

AL-0004B-A-2

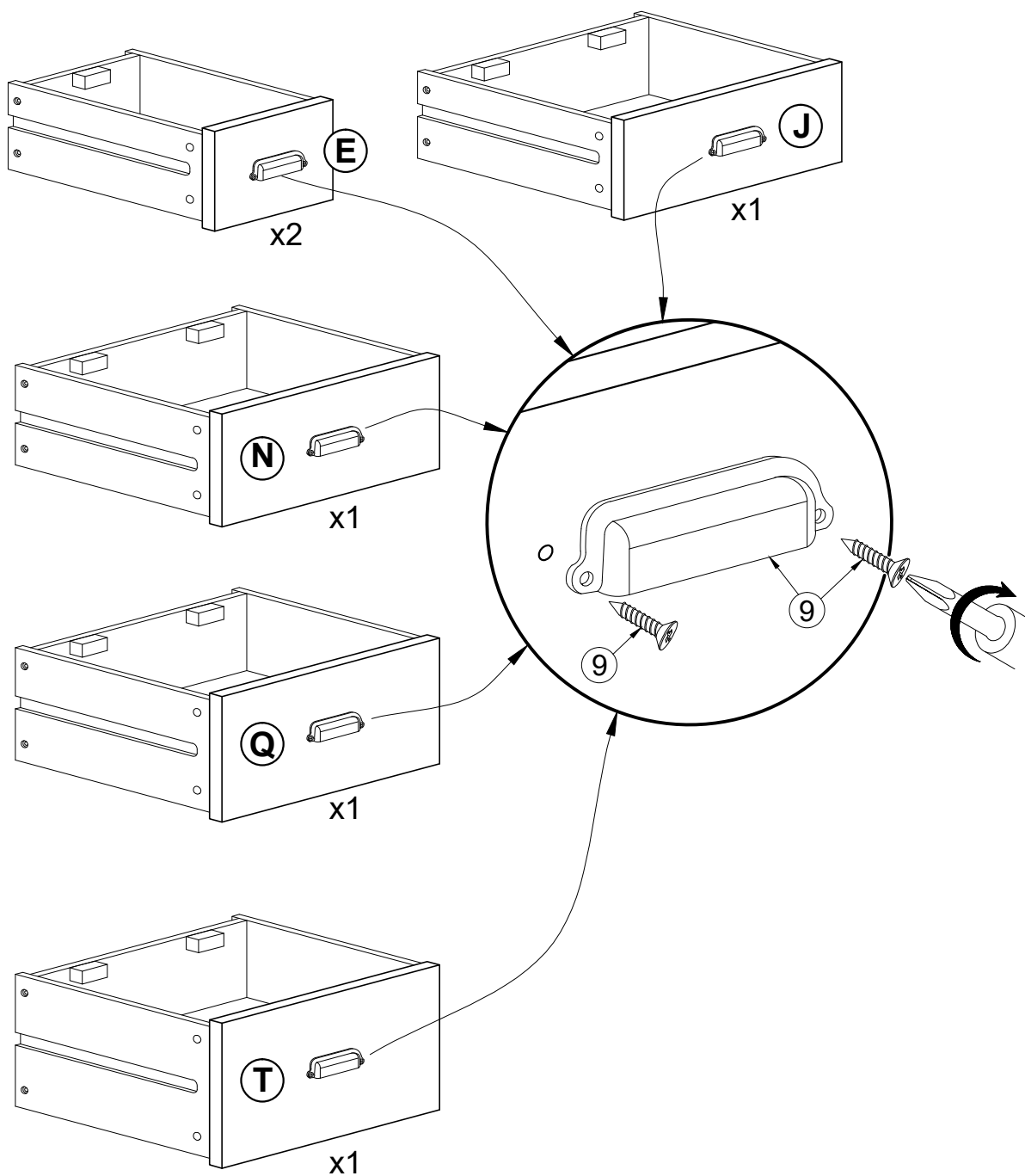
29



30



31

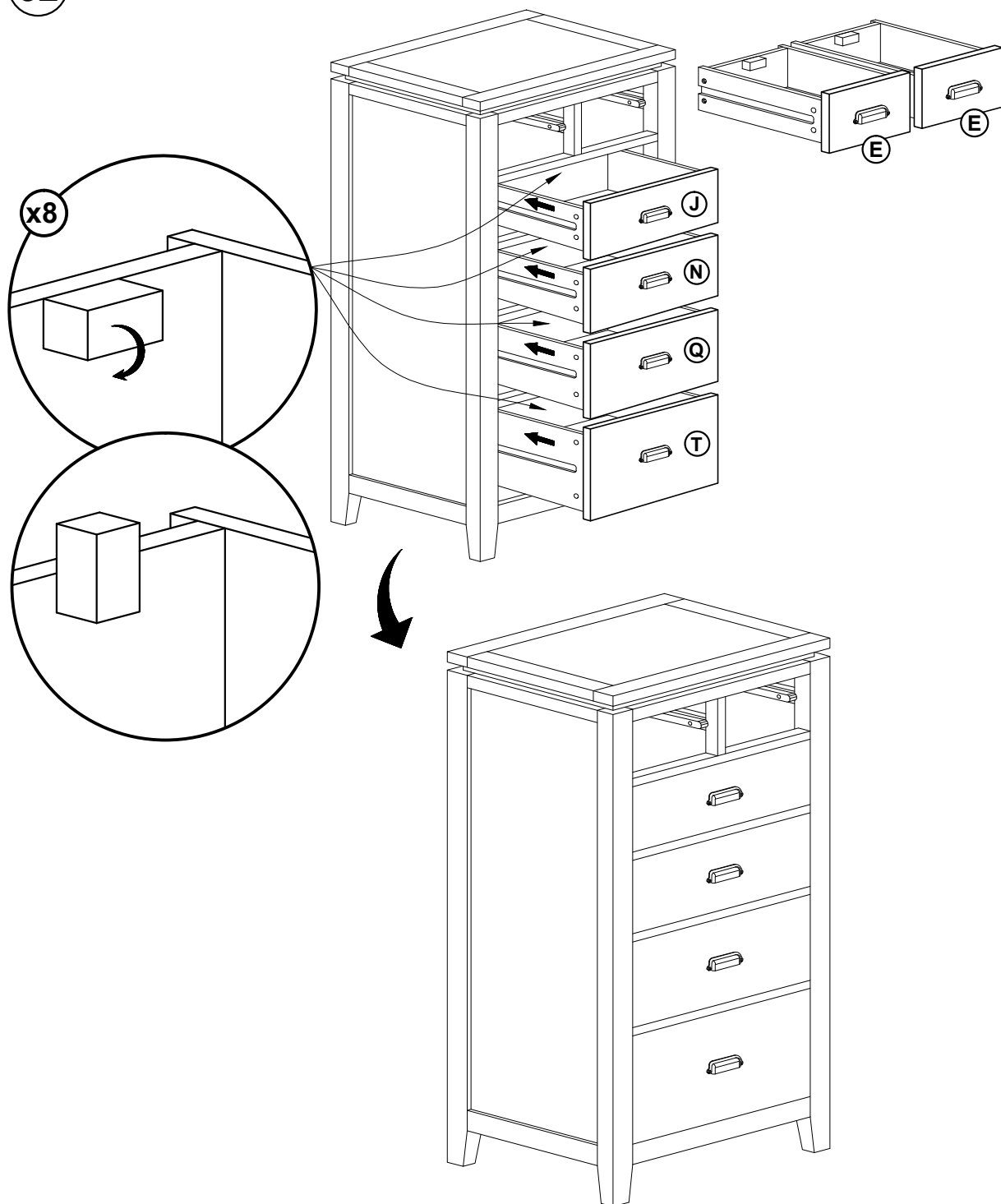


BANAK

AVELIN

AL-0004B-A-2

32

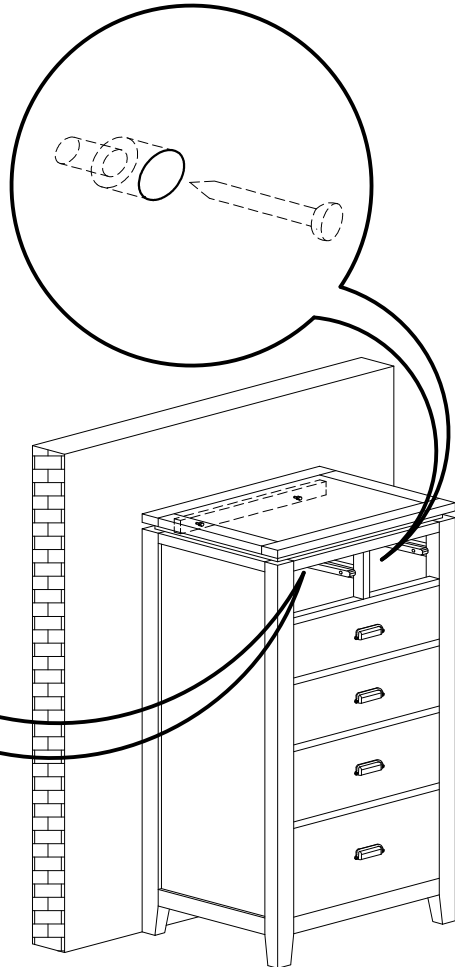
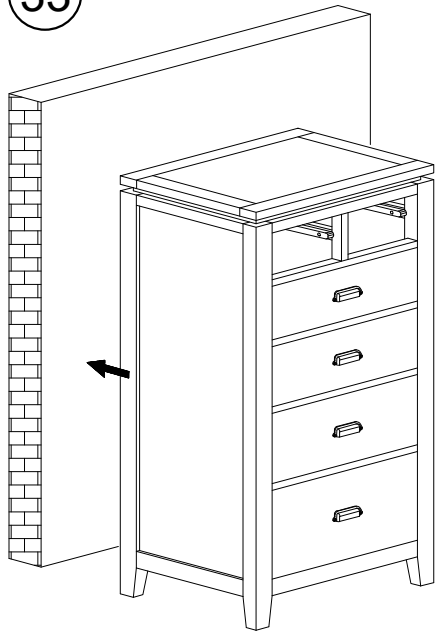


BANAK

AVELIN

AL-0004B-A-2

33



34

