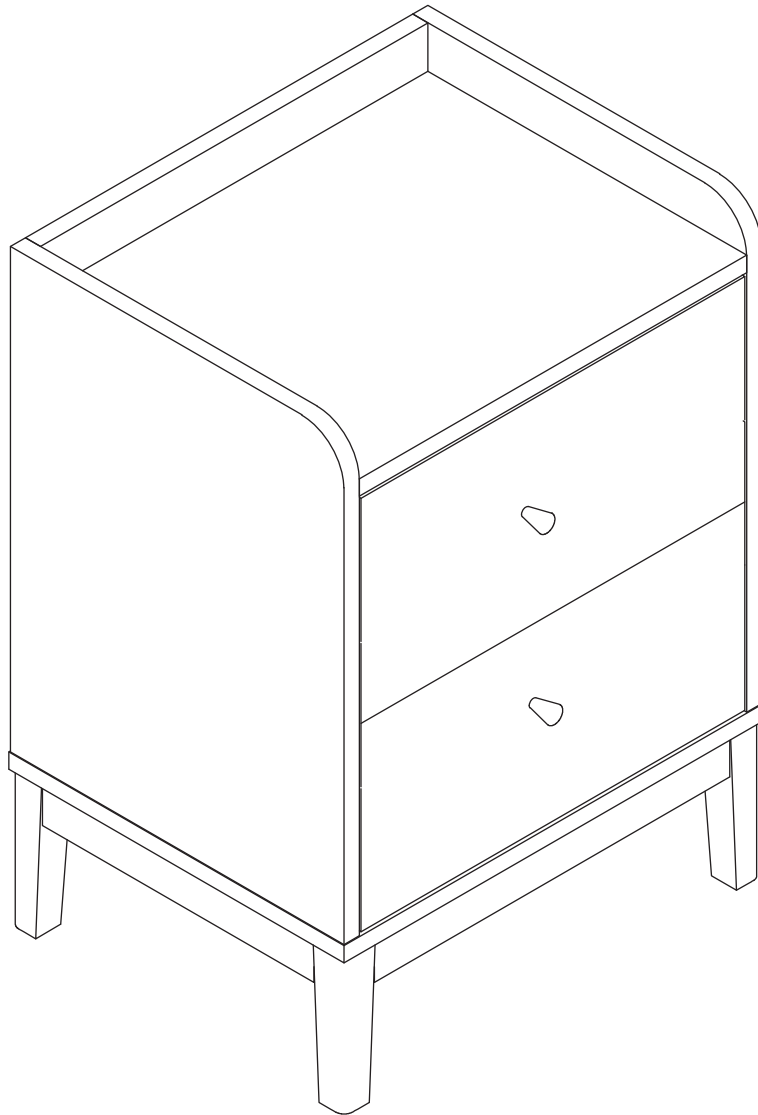


BANAK

BERNA

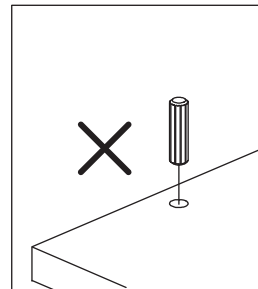
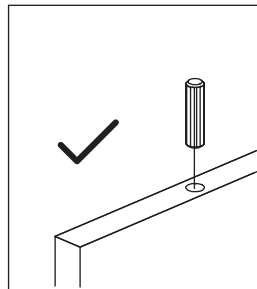
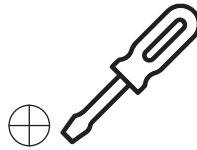
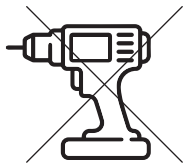
BR-0100BC



BANAK

BERNA

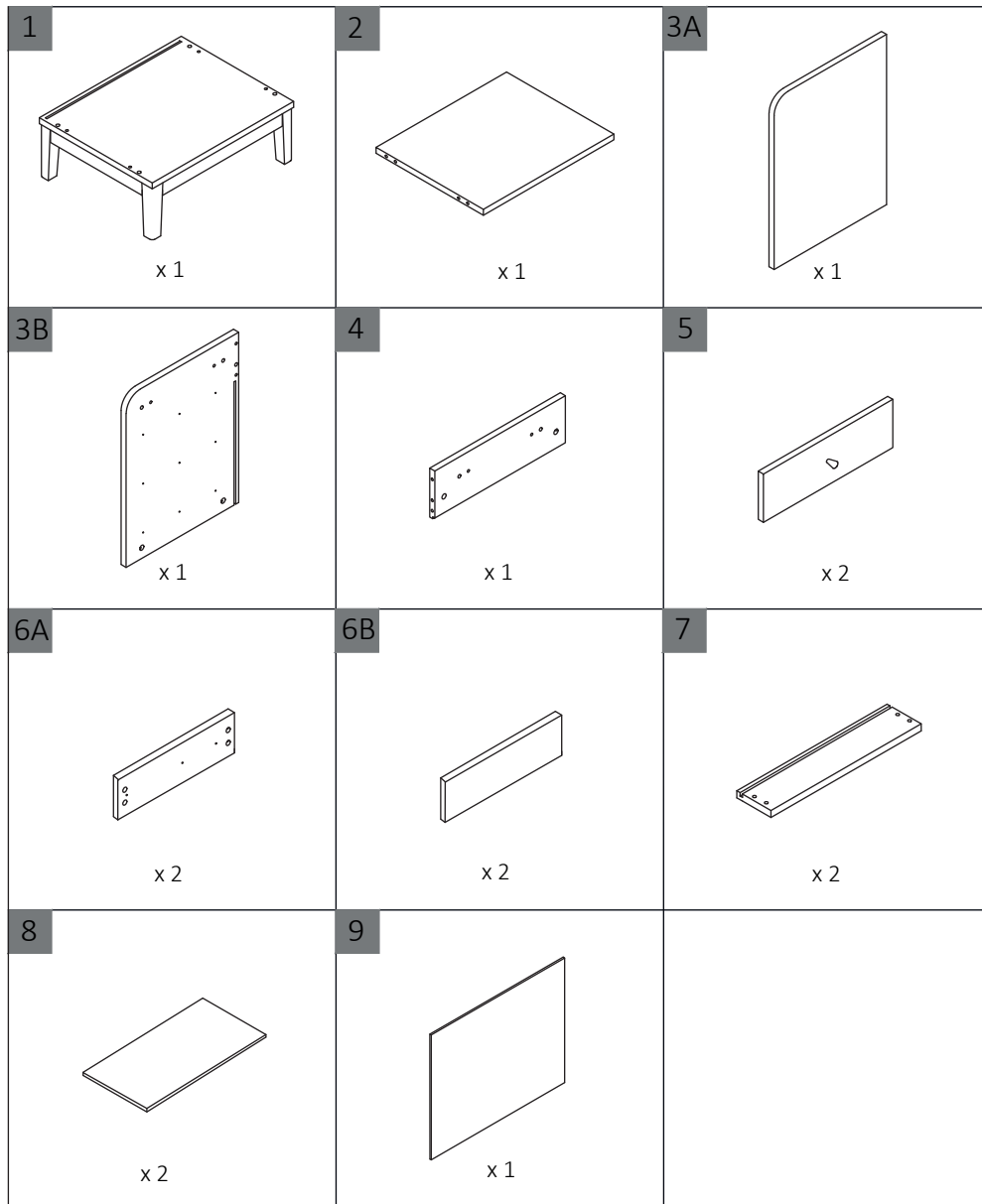
BR-0100BC



BANAK

BERNA

BR-0100BC



BANAK

BERNA


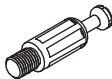








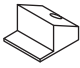

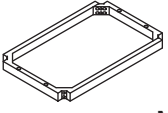



BR-0100BC

1	1	500x400x18
2	1	460x378x18
3A	1	422x398x18
3B	1	422x398x18
4	1	460*150*18
5	2	456x174x18
6A	2	332*140*18
6B	2	332*140*18
7	2	441*140*18
8	2	415*342*5
9	1	470*282*5

BANAK

BERNA

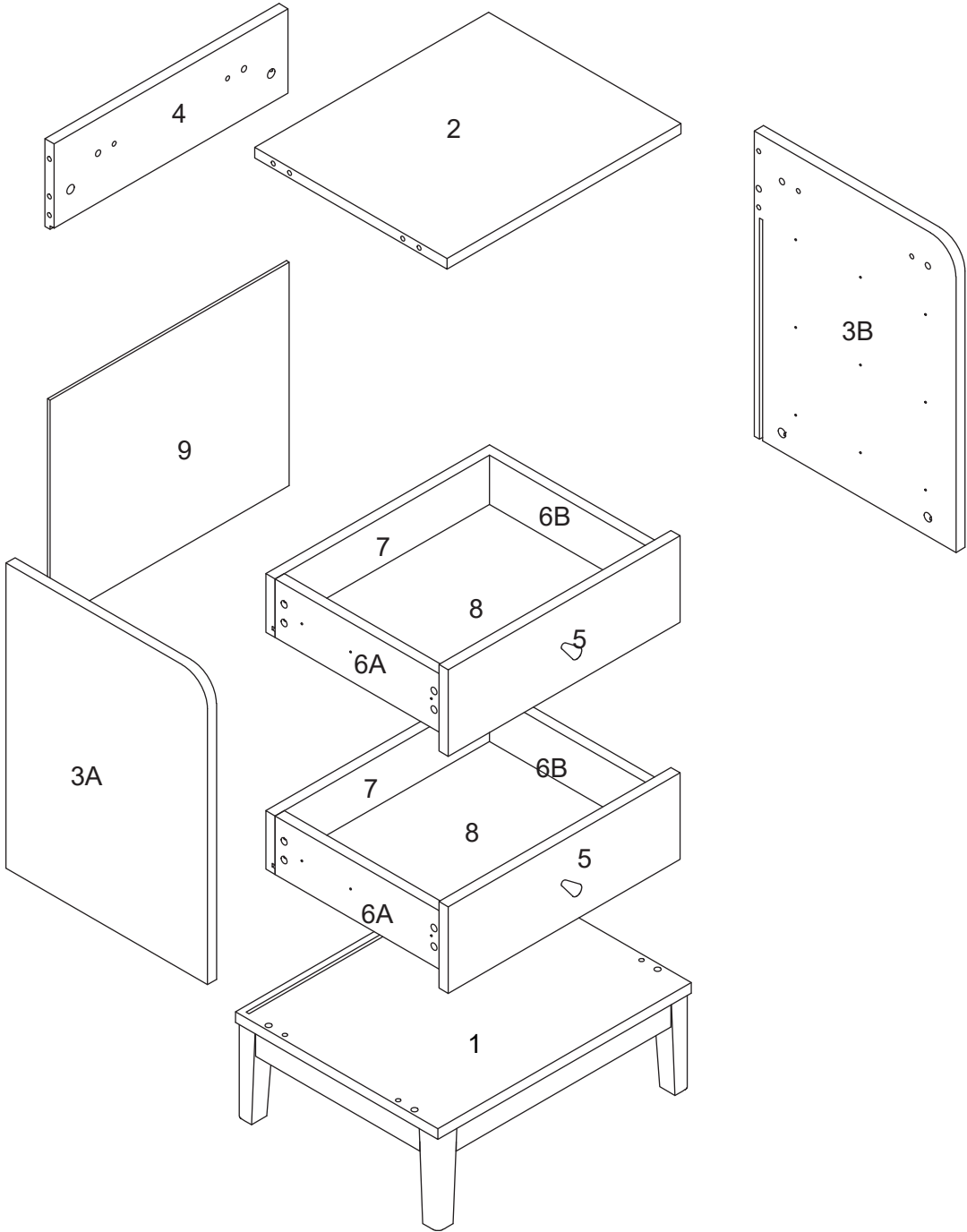
BR-0100BC

 φ15*12 AX14	 M6*35 BX14	 φ8*40 CX12	 M3.5*15 DX28
 M6x45 EX12	 FX12	 GX16	 HX4
 IX2	 JX2	 KX4	 LX1
 MX1	 NX4	 OX12	 PX16

BANAK

BERNA

BR-0100BC



BANAK

BERNA

BR-0100BC

1



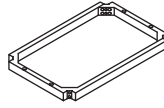
EX12



FX12



LX1



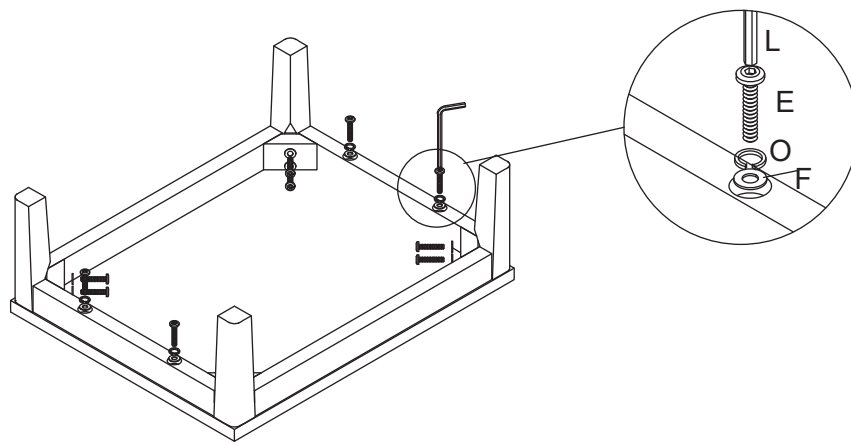
MX1



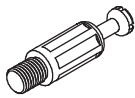
NX4



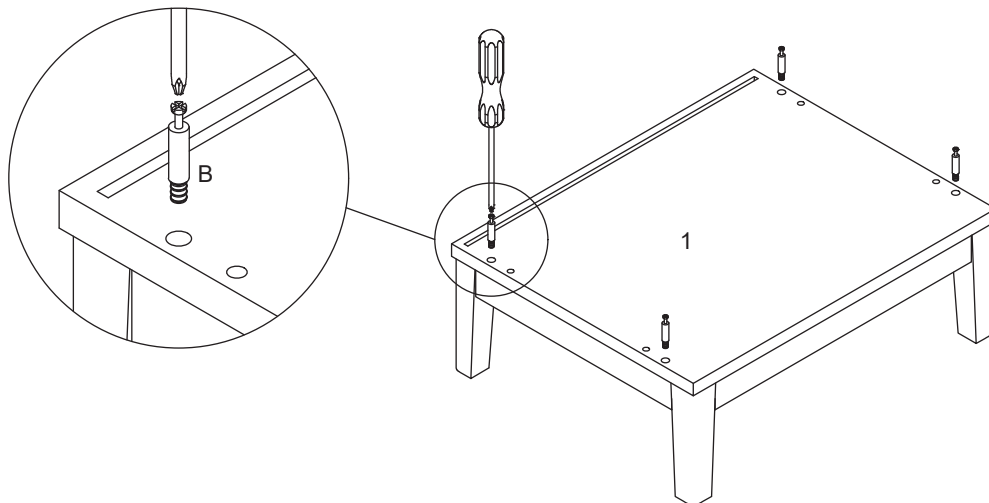
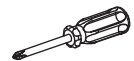
OX12



2



BX4

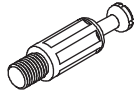


BANAK

BERNA

BR-0100BC

3



BX8



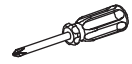
CX4



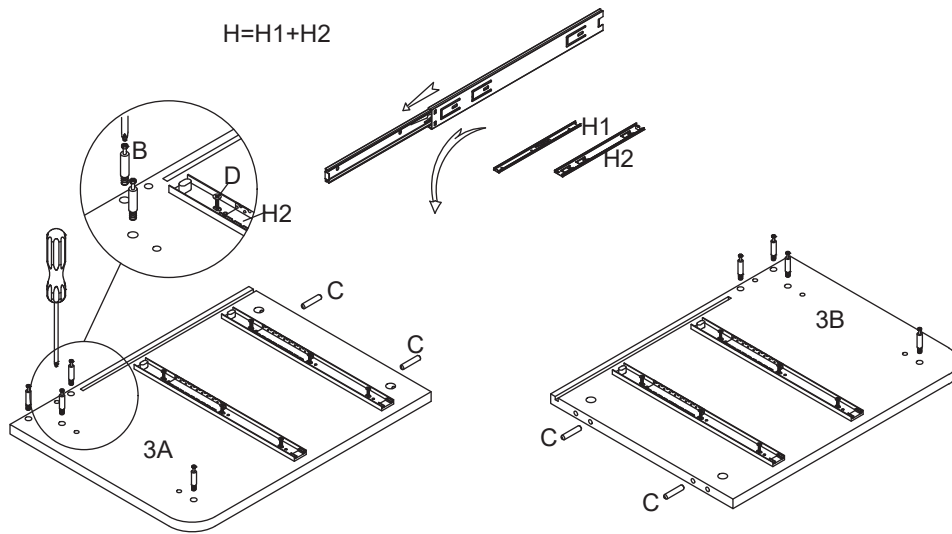
DX12



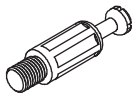
HX4



$$H=H1+H2$$



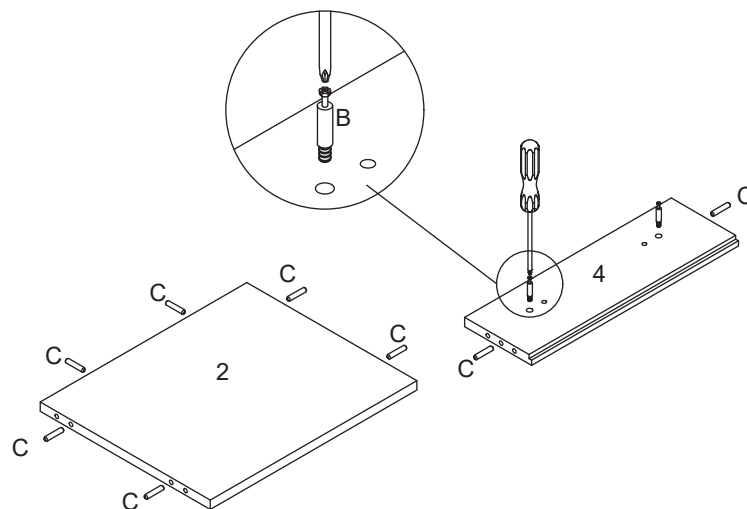
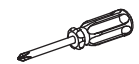
4



BX2



CX8



BANAK

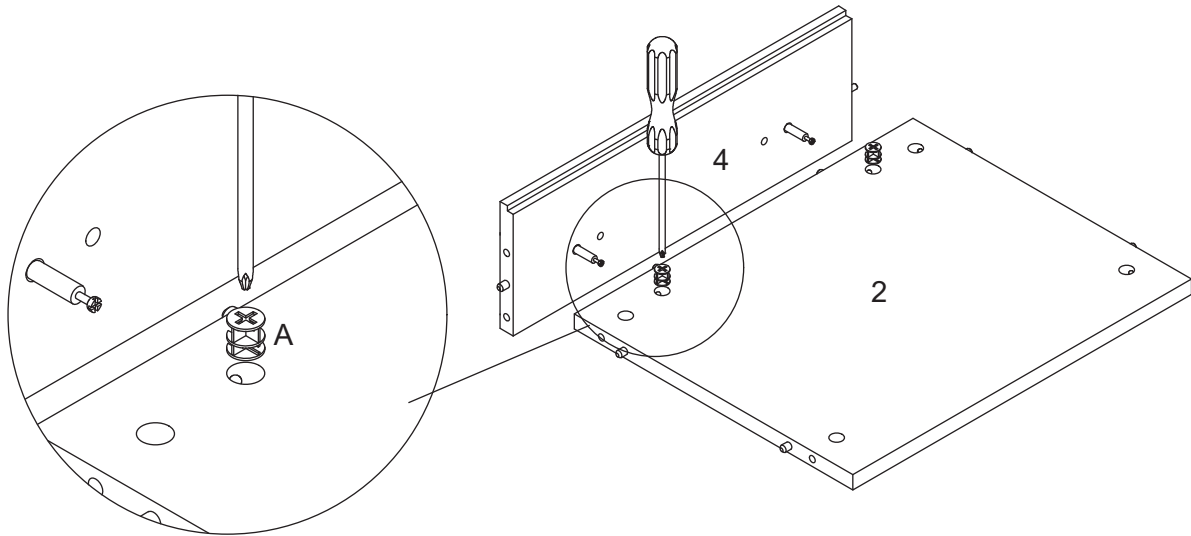
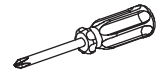
BERNA

BR-0100BC

5



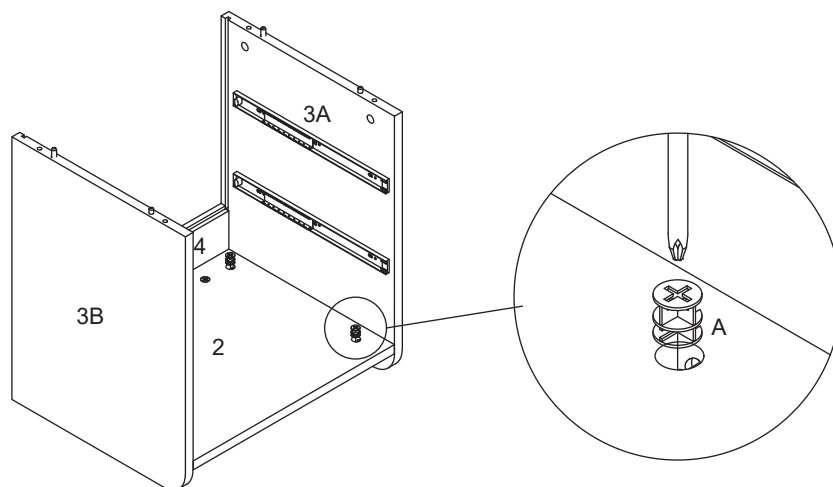
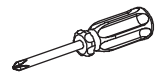
AX2



6



AX8

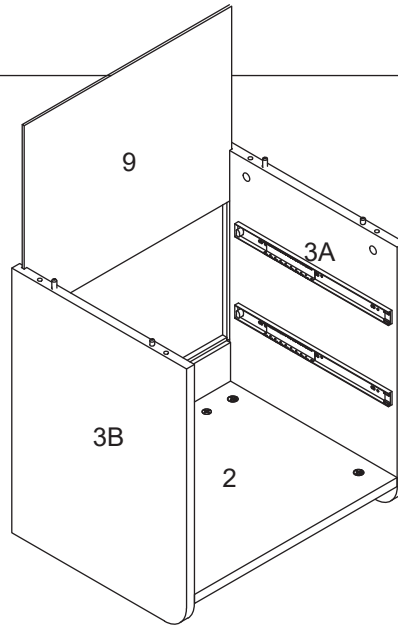
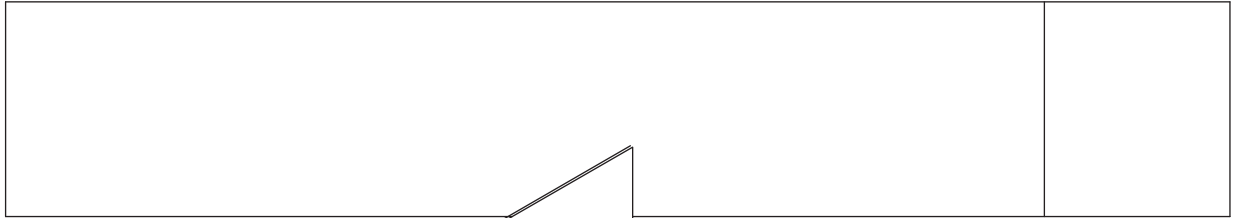


BANAK

BERNA

BR-0100BC

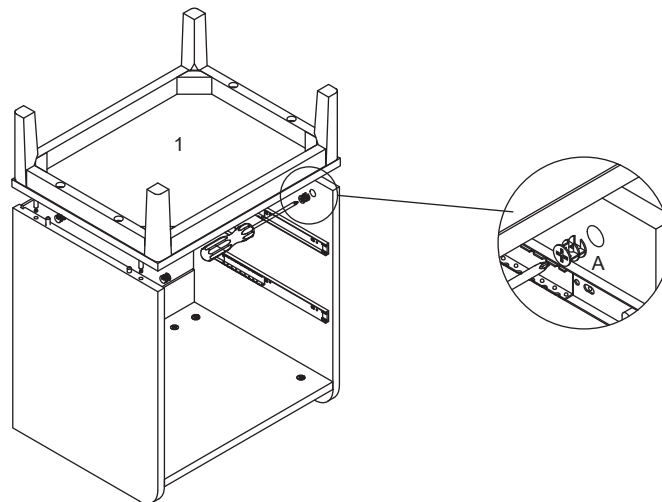
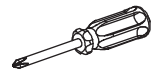
7



8



AX4

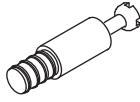


BANAK

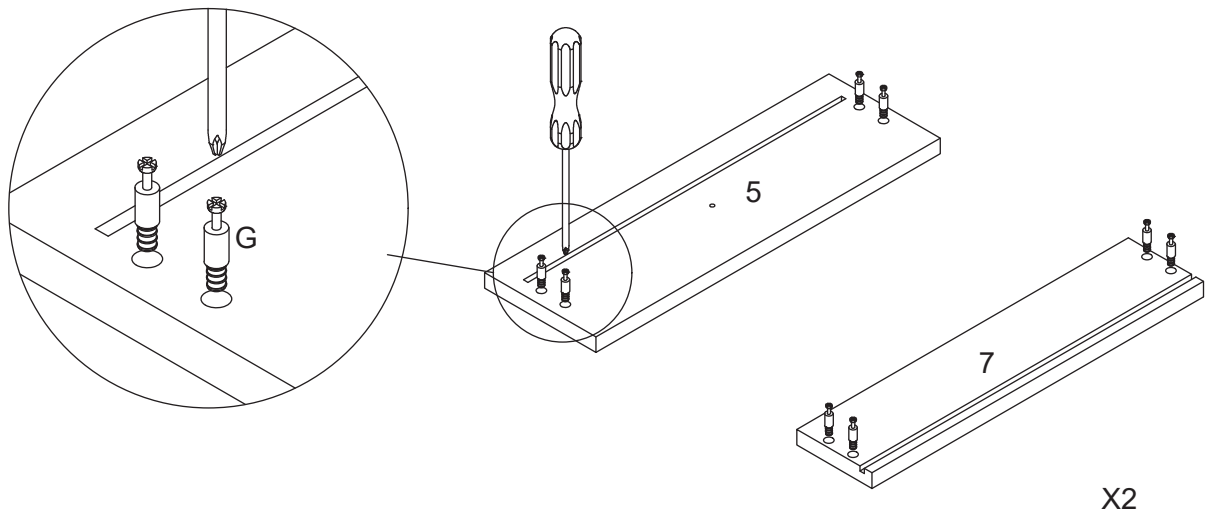
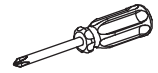
BERNA

BR-0100BC

9



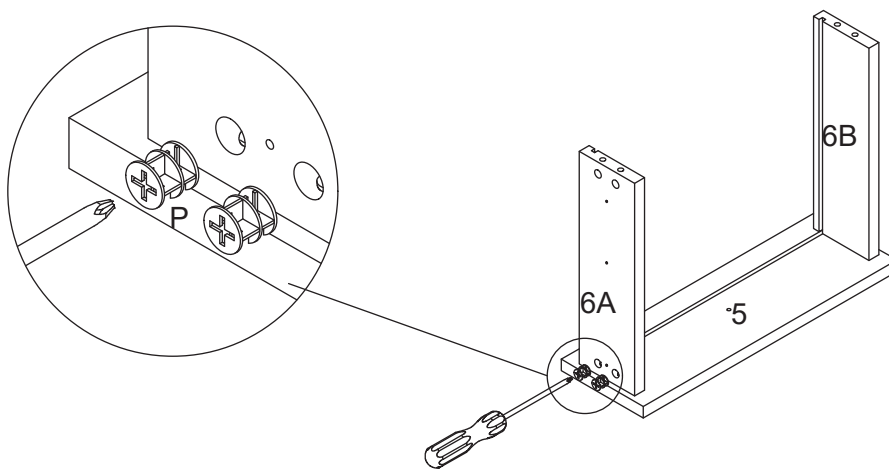
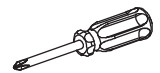
GX16



10



PX8



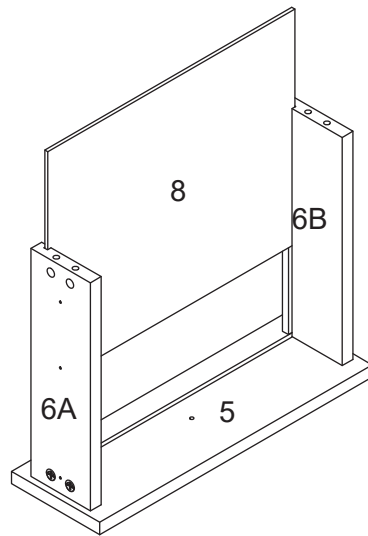
X2

BANAK

BERNA

BR-0100BC

11

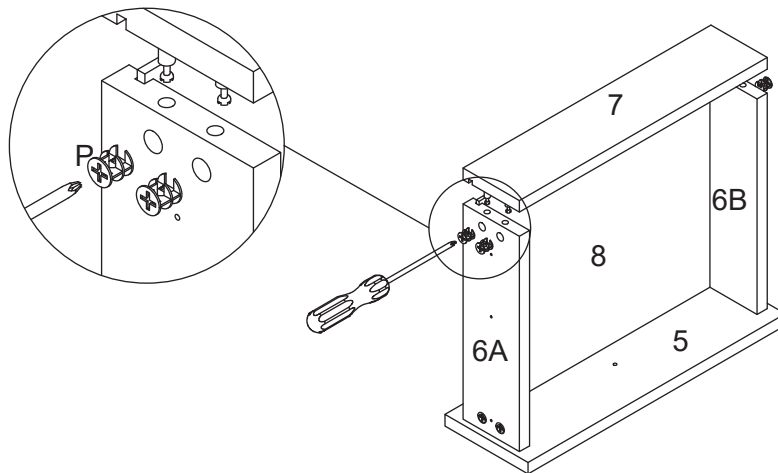


X2

12



PX8



X2

BANAK

BERNA

BR-0100BC

13



DX12



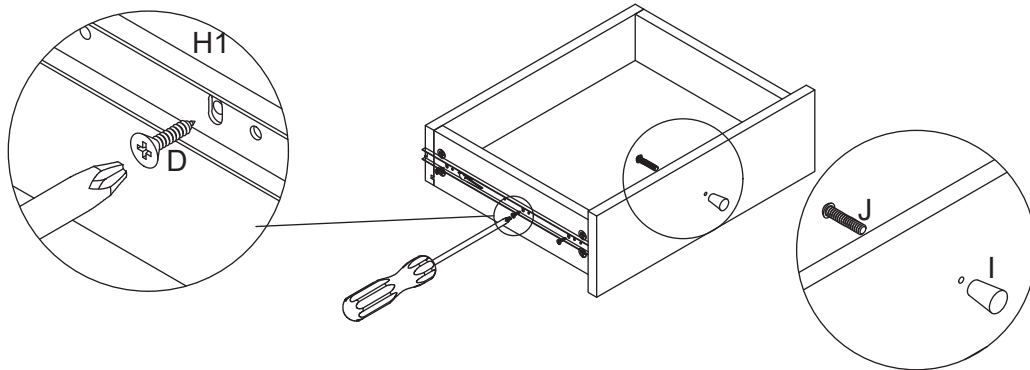
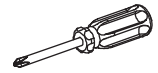
H1X4



IX2



JX2



X2

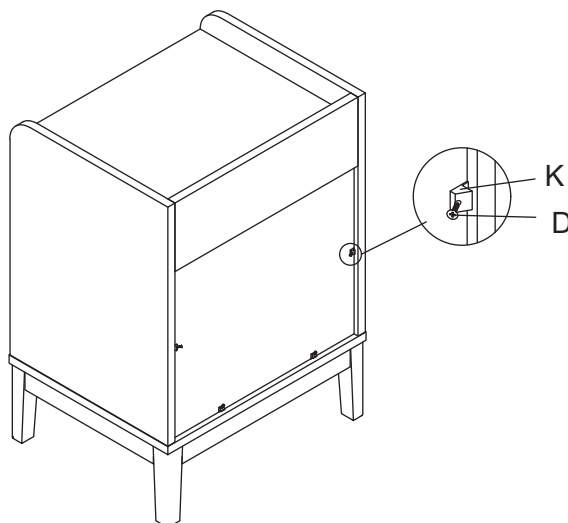
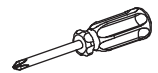
14



DX4



KX4



X2

BANAK

BERNA

BR-0100BC

15

