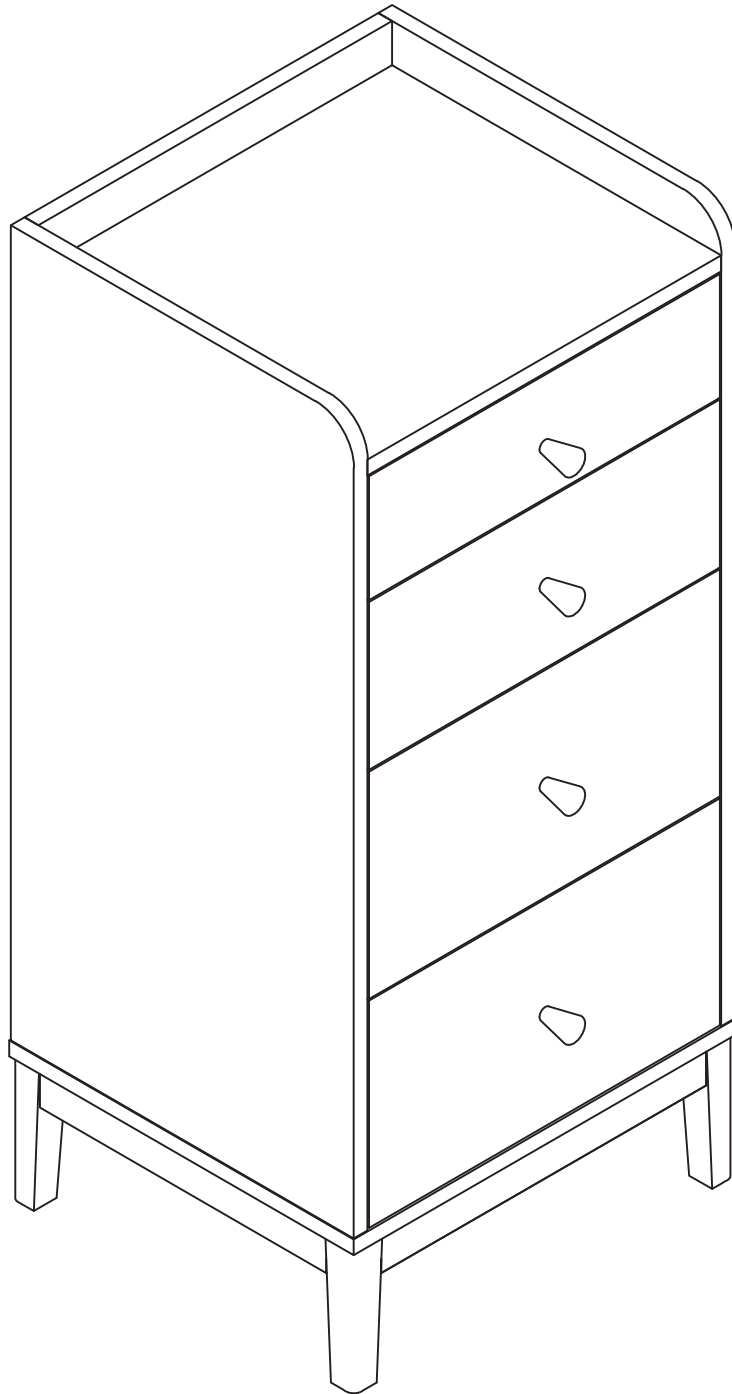


# BANAK

# BERNA

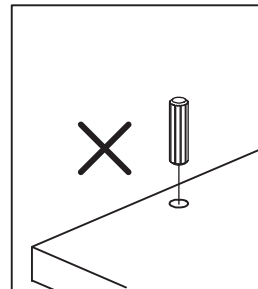
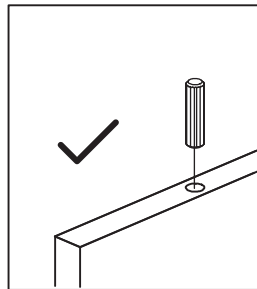
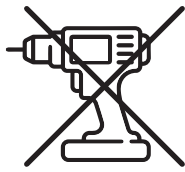
BR-0102BC



# BANAK

# BERNA

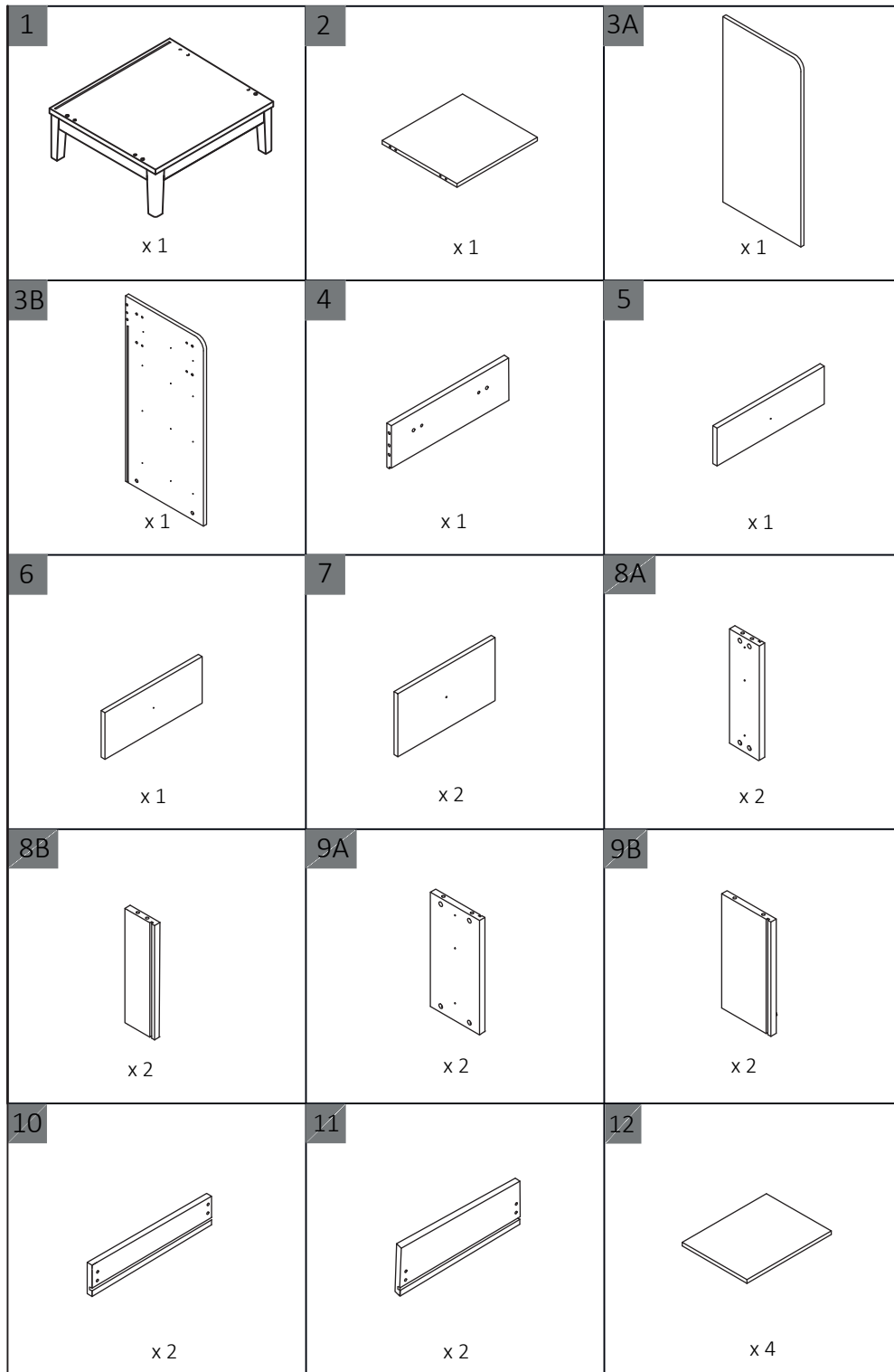
BR-0102BC



# BANAK

# BERNA

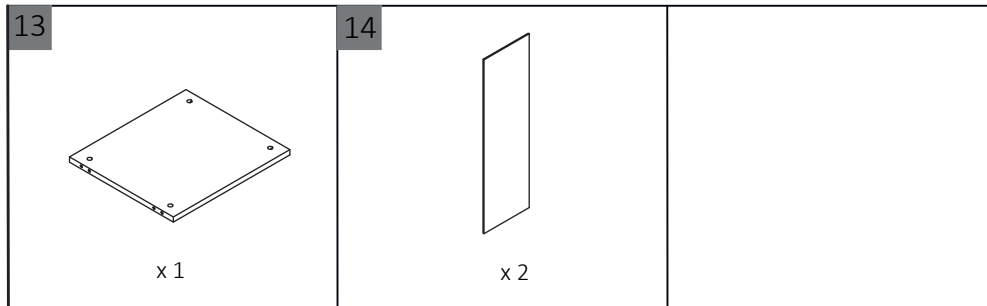
BR-0102BC




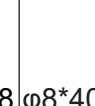













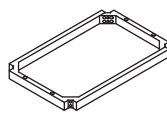






# BANAK

# BERNA

BR-0102BC

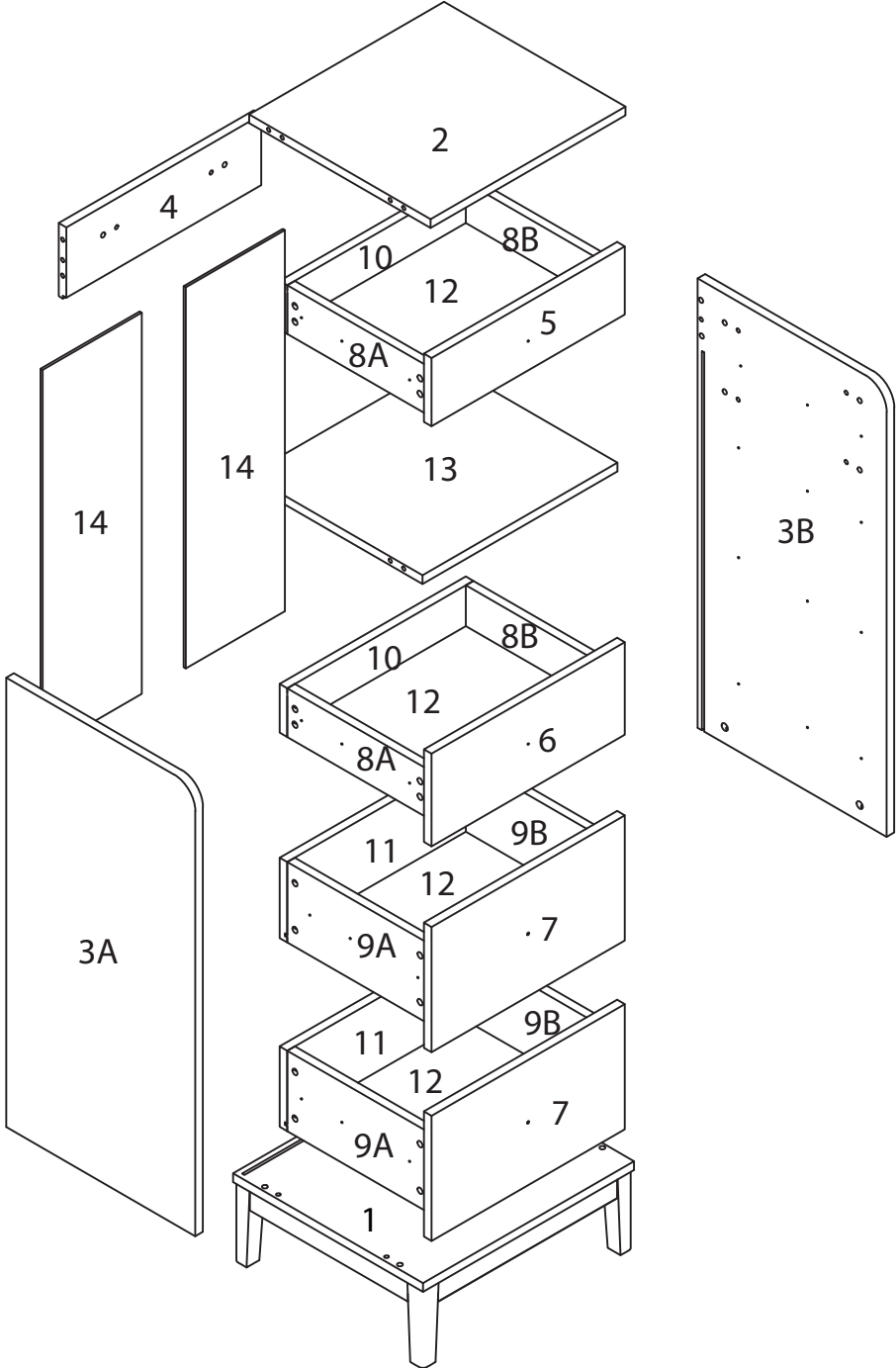


 $\phi 15 \times 12$	 AX18	 M6*35	 BX18	 $\phi 8 \times 40$	 CX16	 M3.5*15	 DX62
 M6x45	 EX12	 FX12	 GX32	 HX8			
 IX4	 JX4	 KX6	 LX1				
 MX1	 NX4	 OX12	 PX32				
 QX1							

# BANAK

# BERNA

BR-0102BC



# BANAK

# BERNA

BR-0102BC

1



EX12



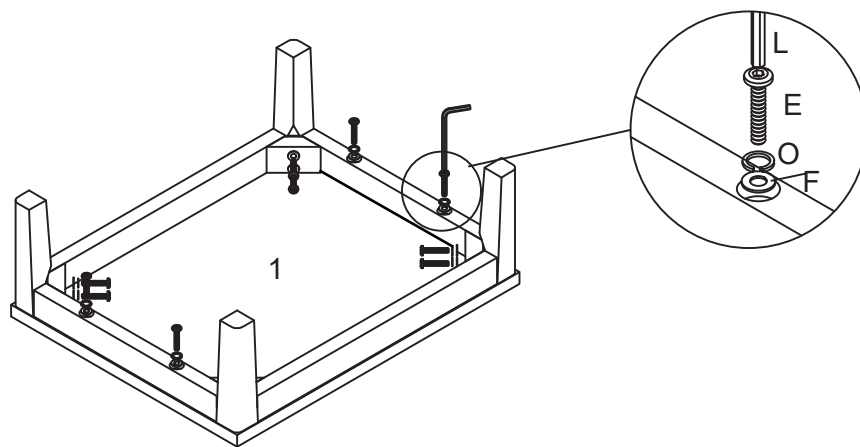
FX12



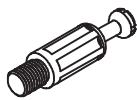
LX1



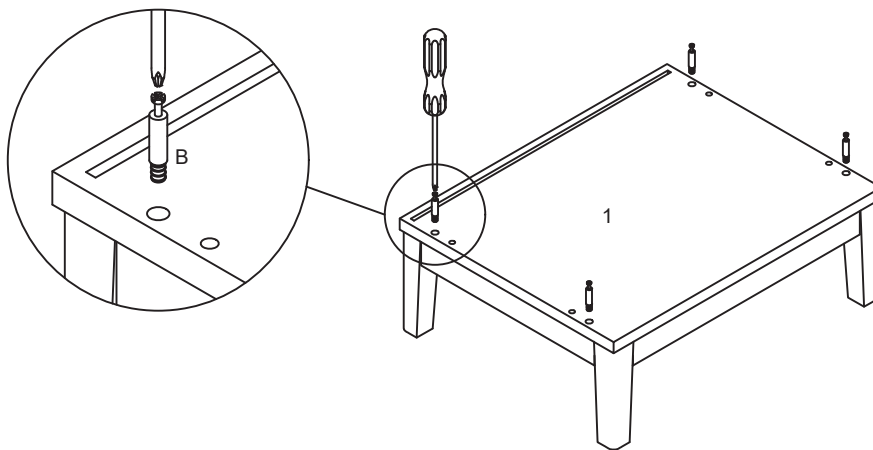
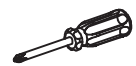
OX12



2



BX4



# BANAK

# BERNA

BR-0102BC

## 3



BX12



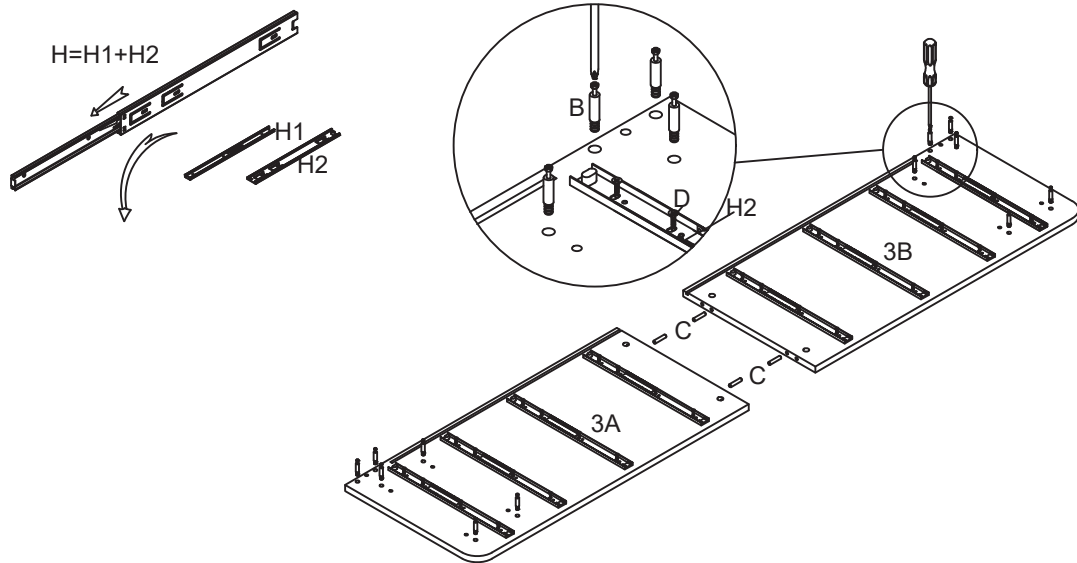
CX4



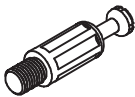
DX32



HX8



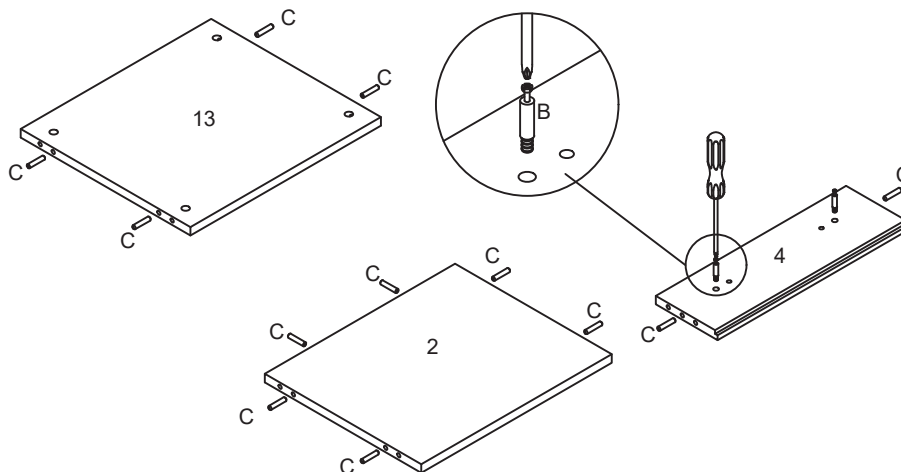
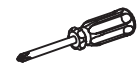
## 4



BX2



CX12



# BANAK

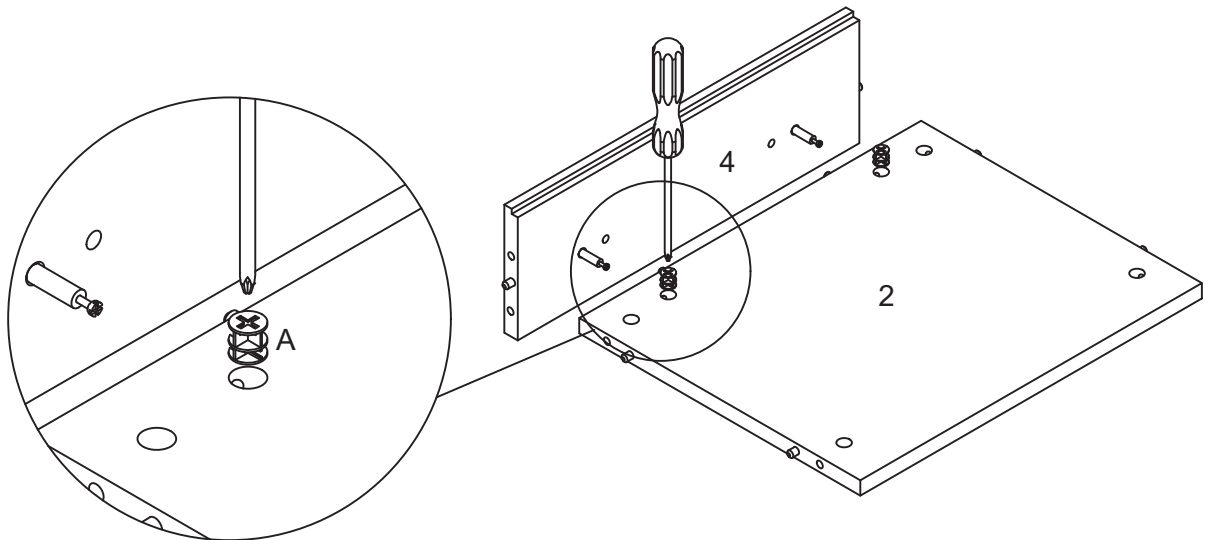
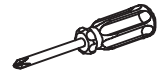
# BERNA

BR-0102BC

5



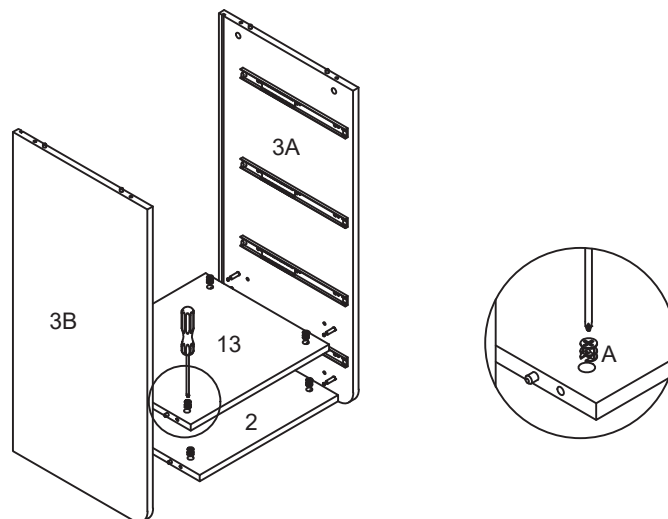
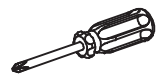
AX2



6



AX12





# BANAK

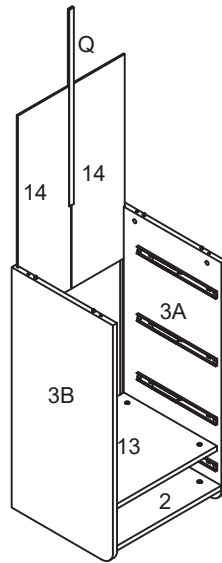
# BERNA

BR-0102BC

7



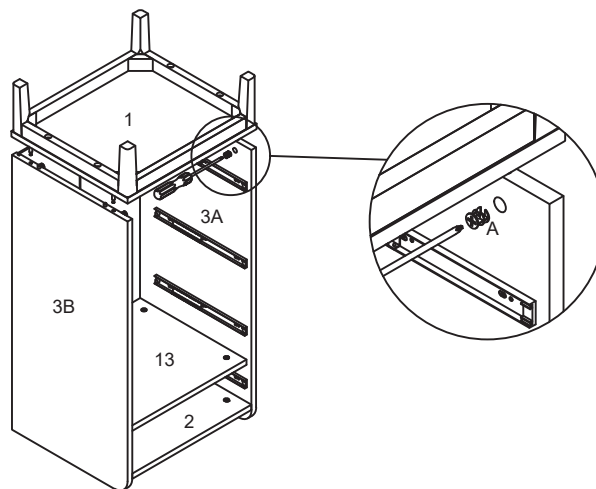
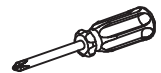
QX1



8



AX4



# BANAK

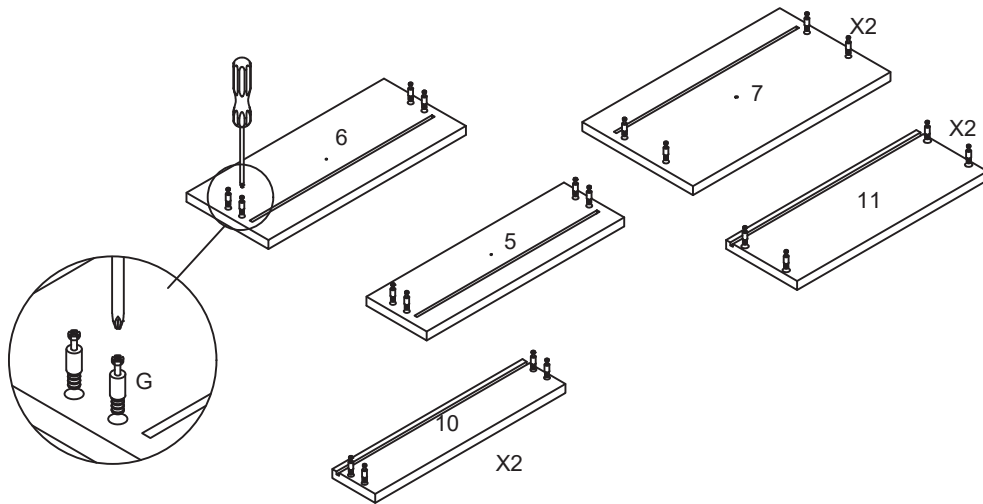
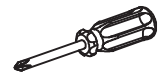
# BERNA

BR-0102BC

9



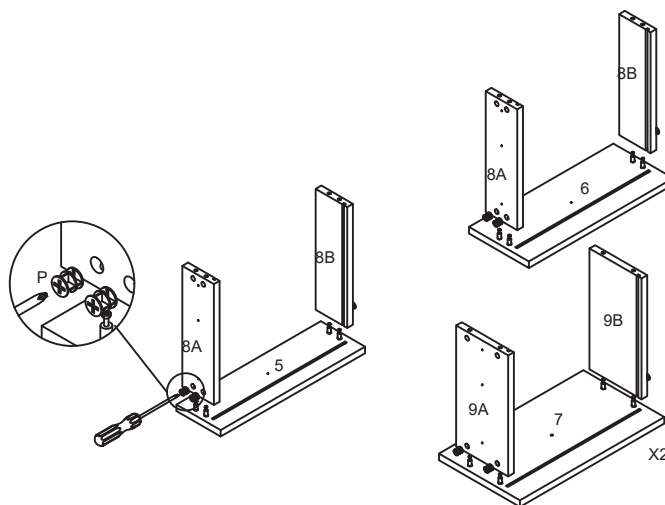
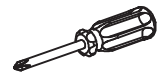
GX32



10



PX16

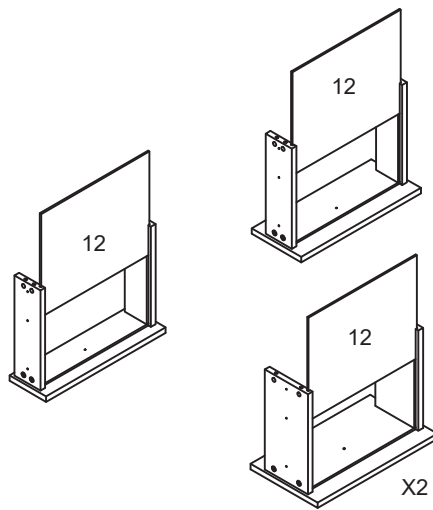
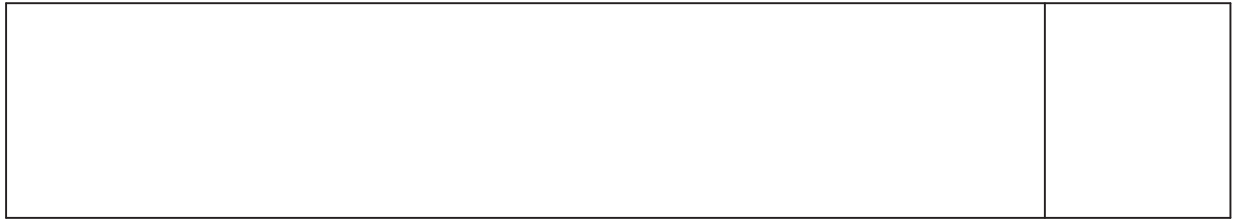


# BANAK

# BERNA

BR-0102BC

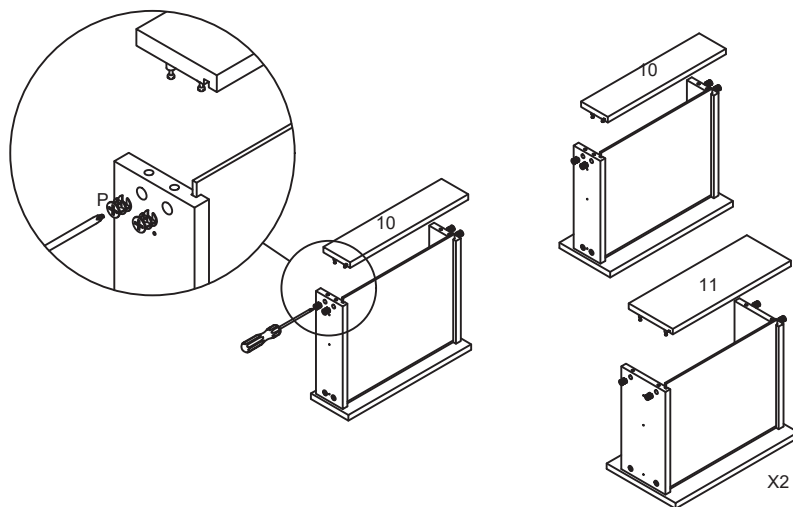
11



12



PX16

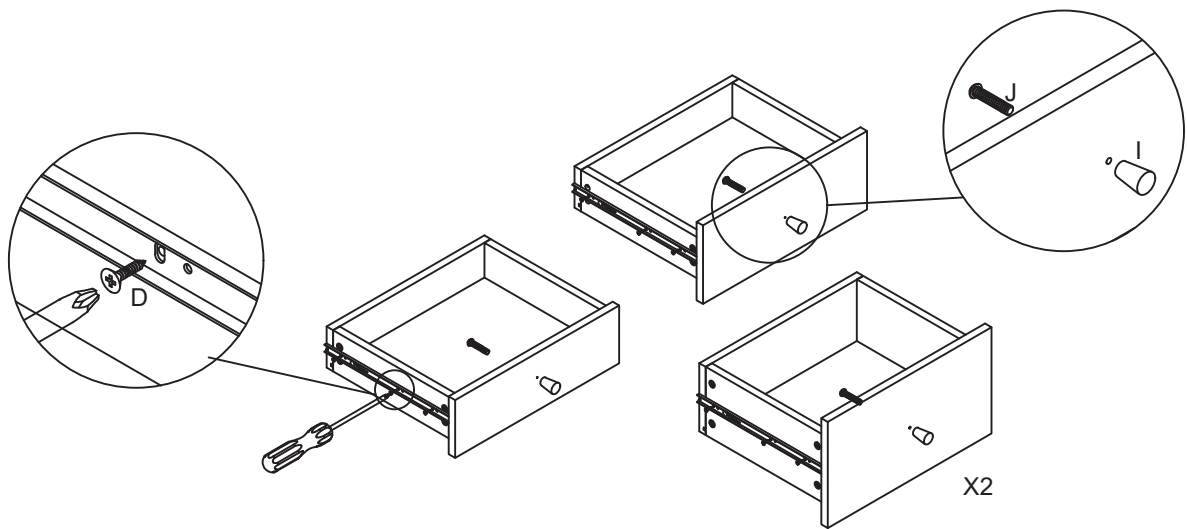
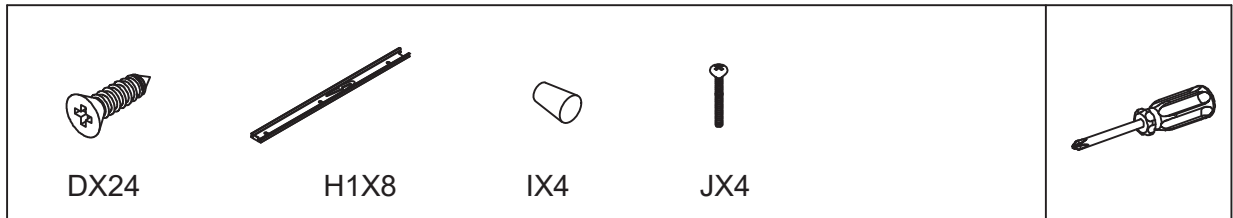


# BANAK

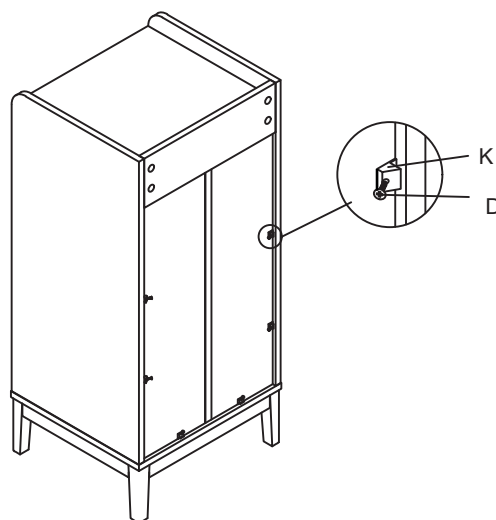
# BERNA

BR-0102BC

## 13



## 14

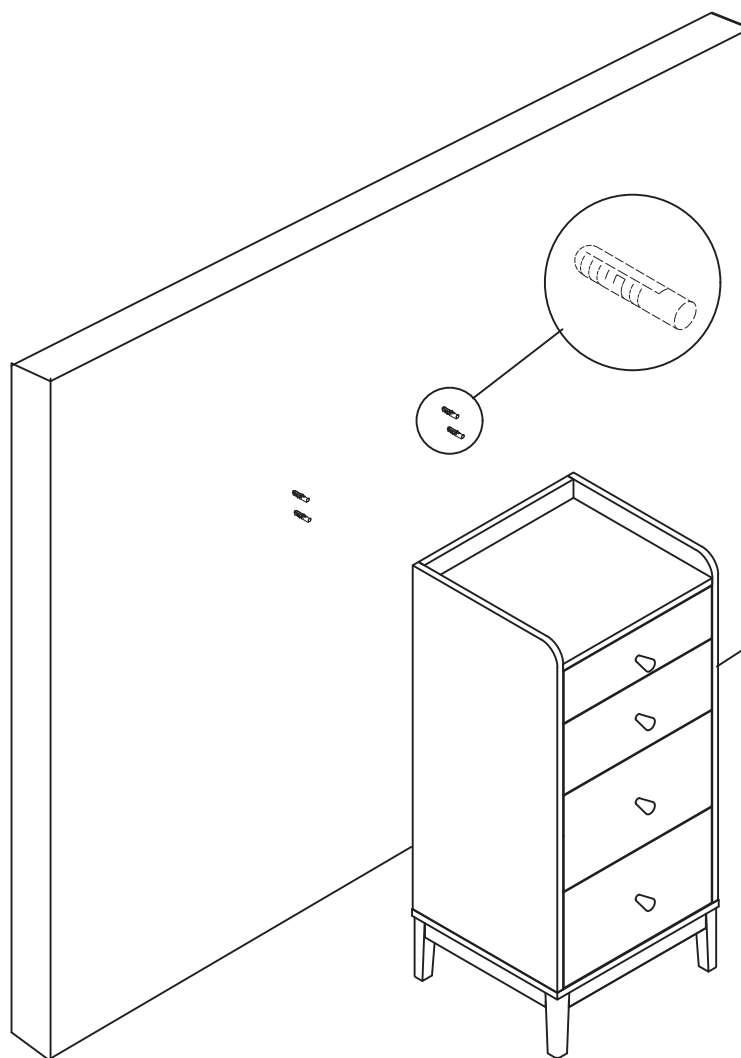


# BANAK

# BERNA

BR-0102BC

15

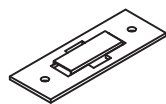


# BANAK

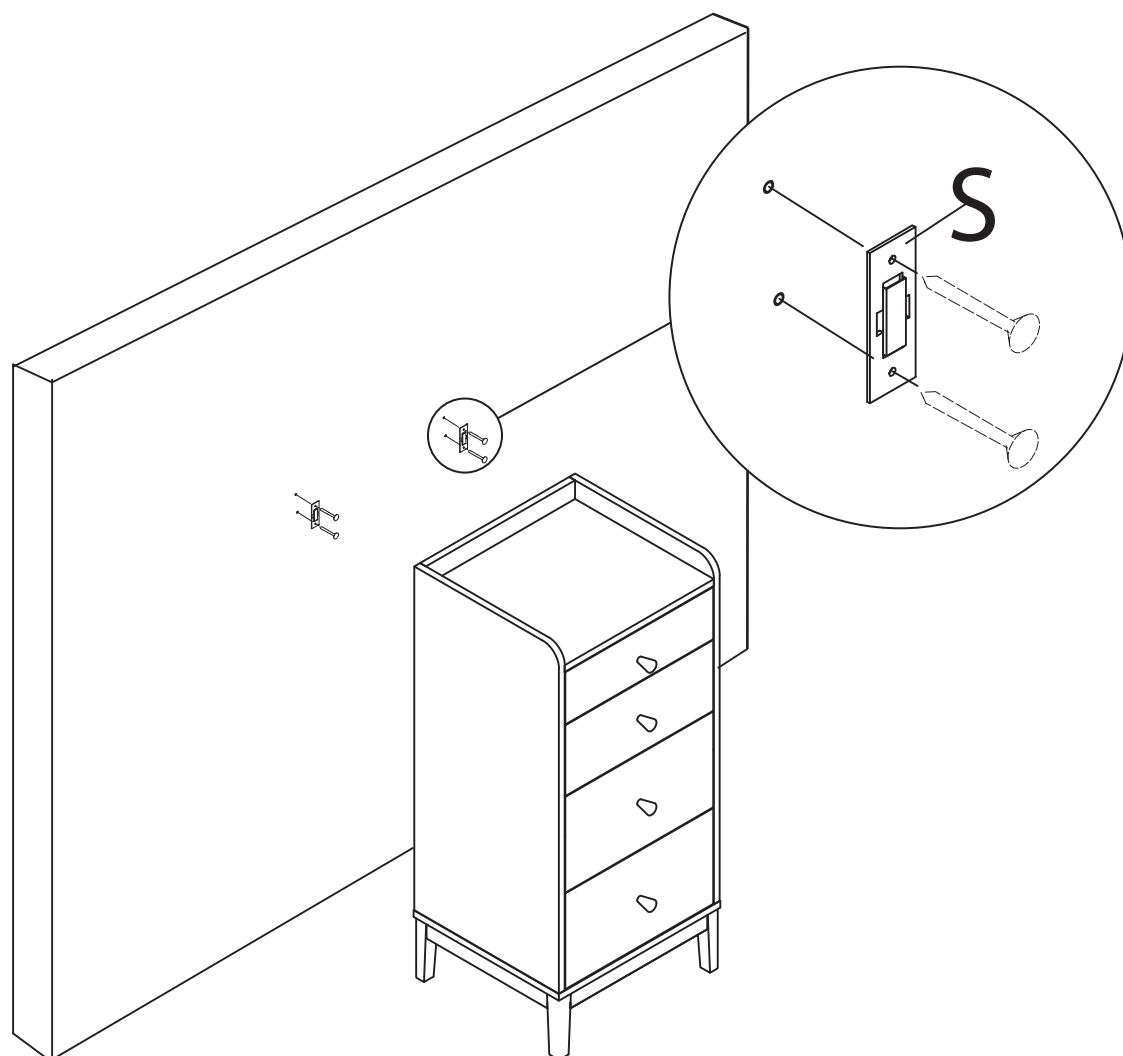
# BERNA

BR-0102BC

## 16



Sx2

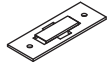


# BANAK

# BERNA

BR-0102BC

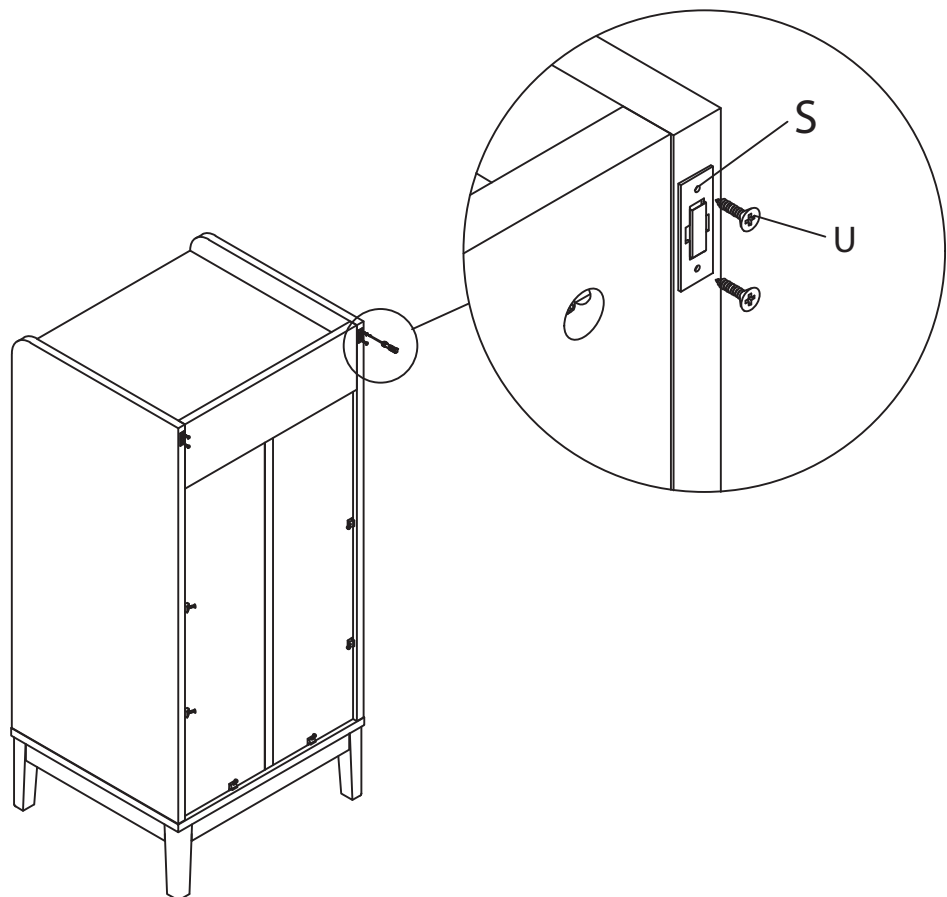
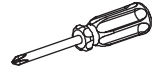
17



Sx2



Ux4

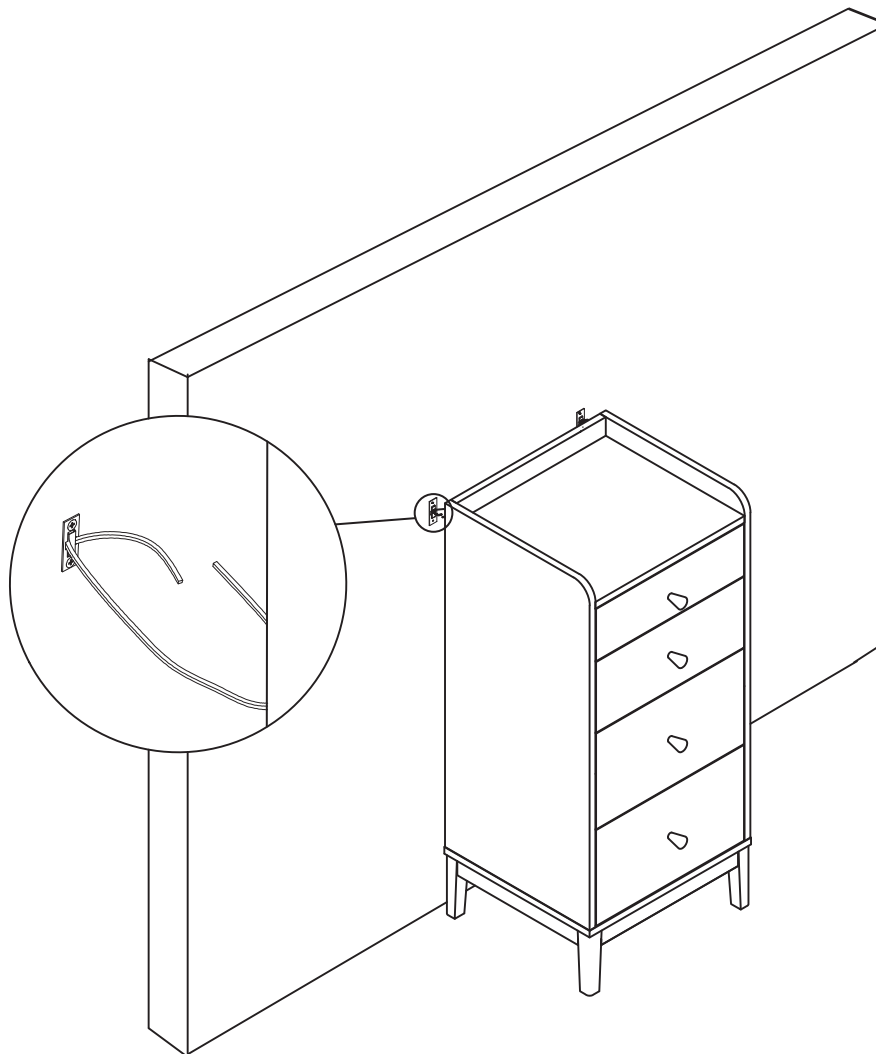


# BANAK

# BERNA

BR-0102BC

# 18





# BANAK

# BERNA

BR-0102BC

# 19

