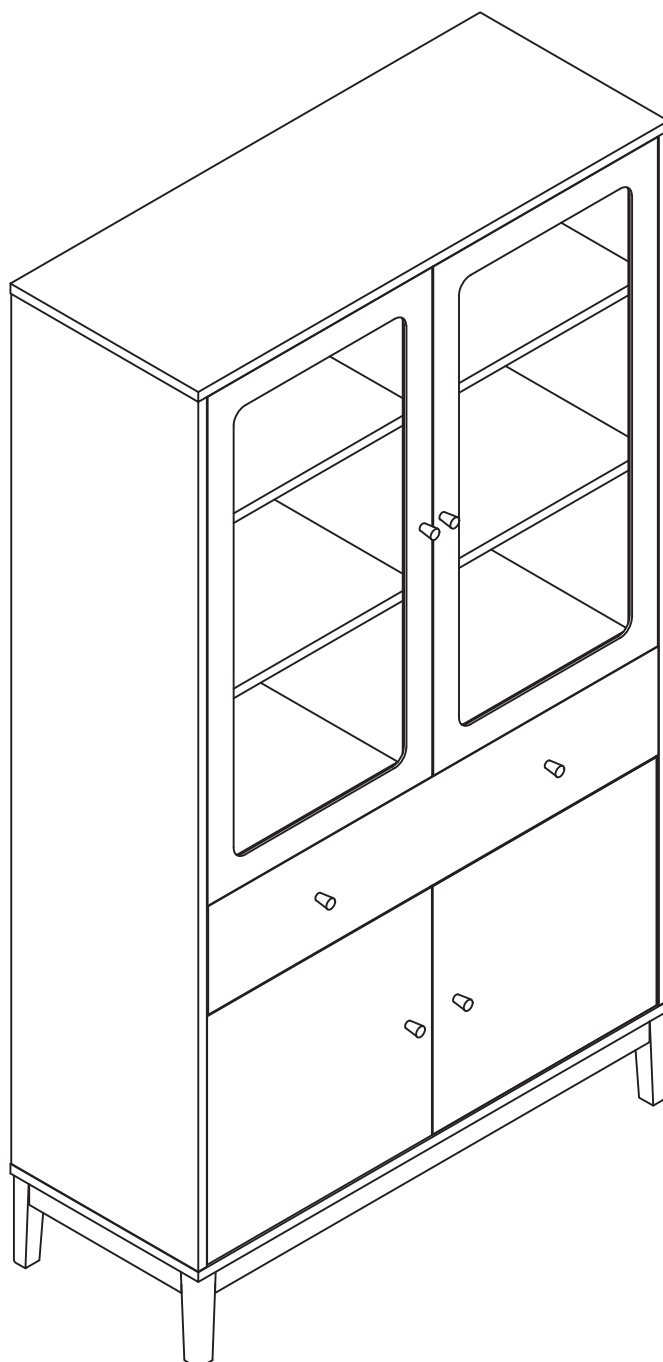


# BANAK

# BERNA

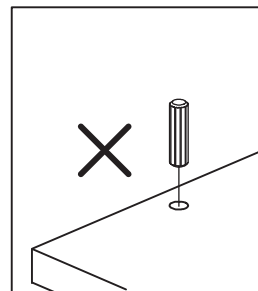
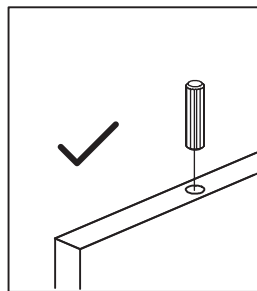
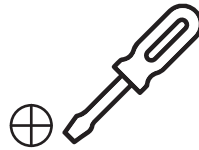
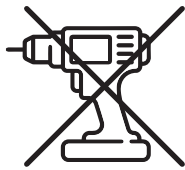
BR-0104BC



# BANAK

# BERNA

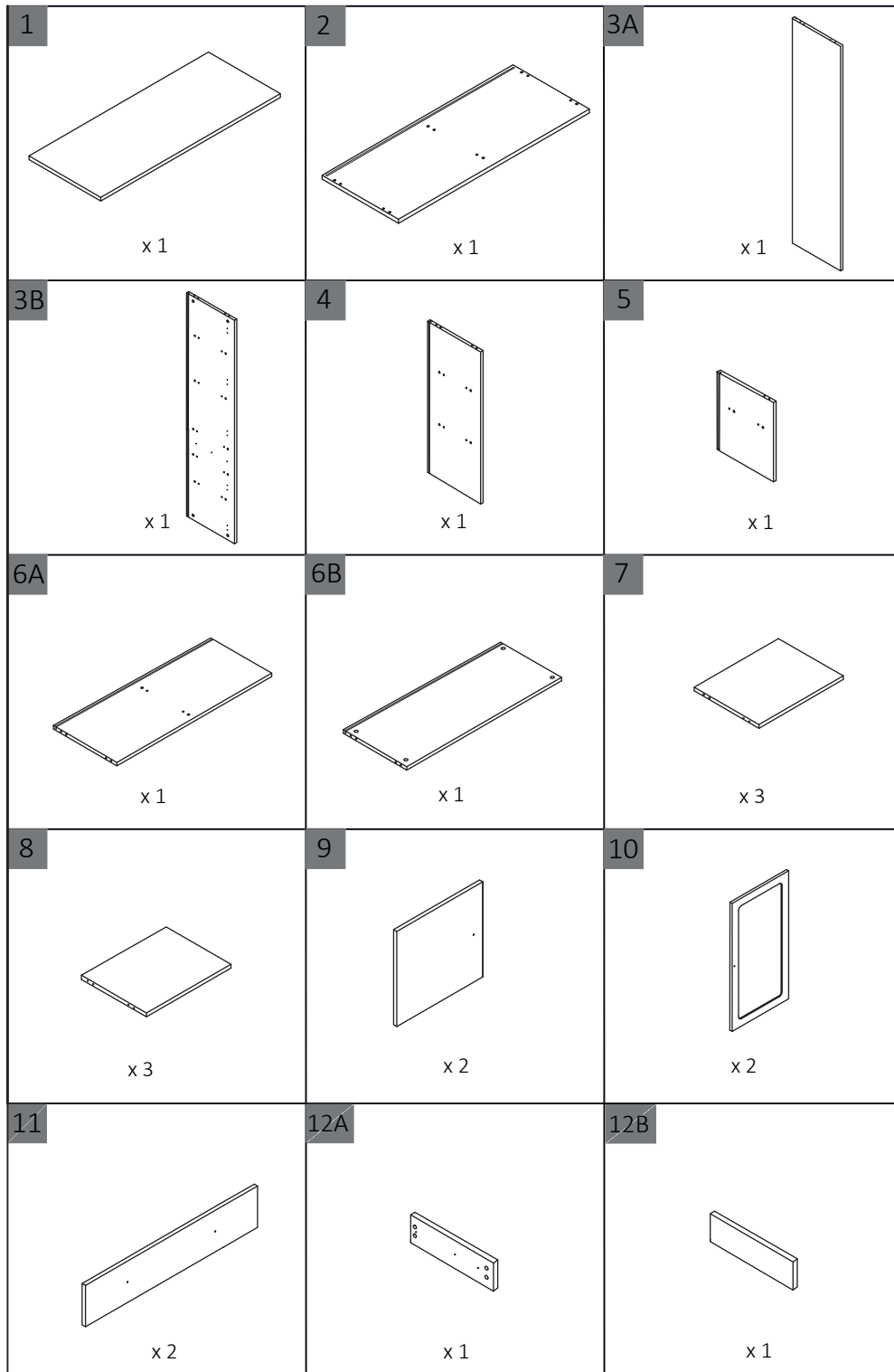
BR-0104BC



# BANAK

# BERNA

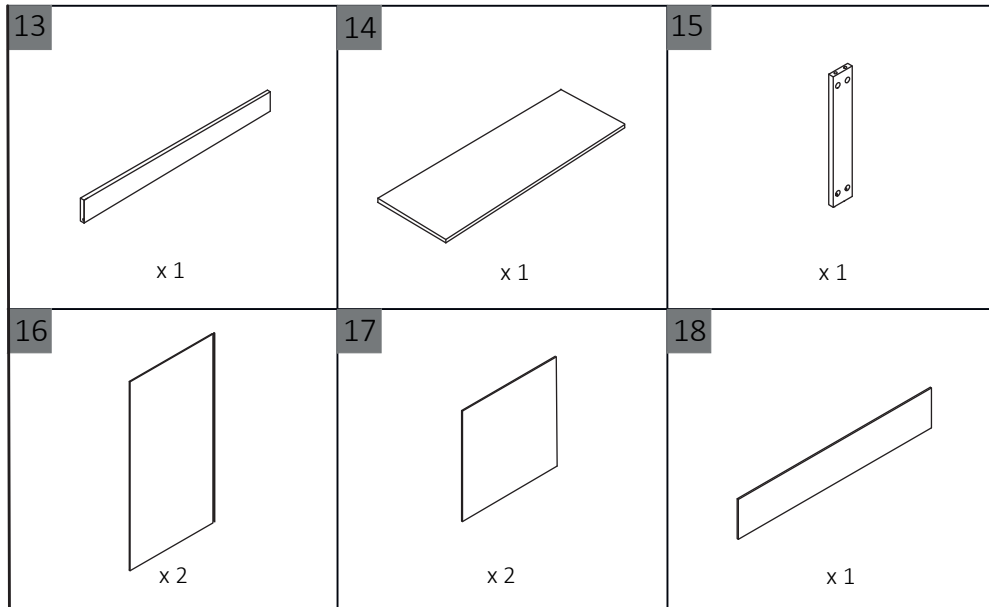
BR-0104BC



# BANAK

# BERNA





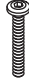





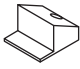

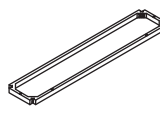



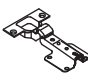



BR-0104BC



# BANAK

# BERNA

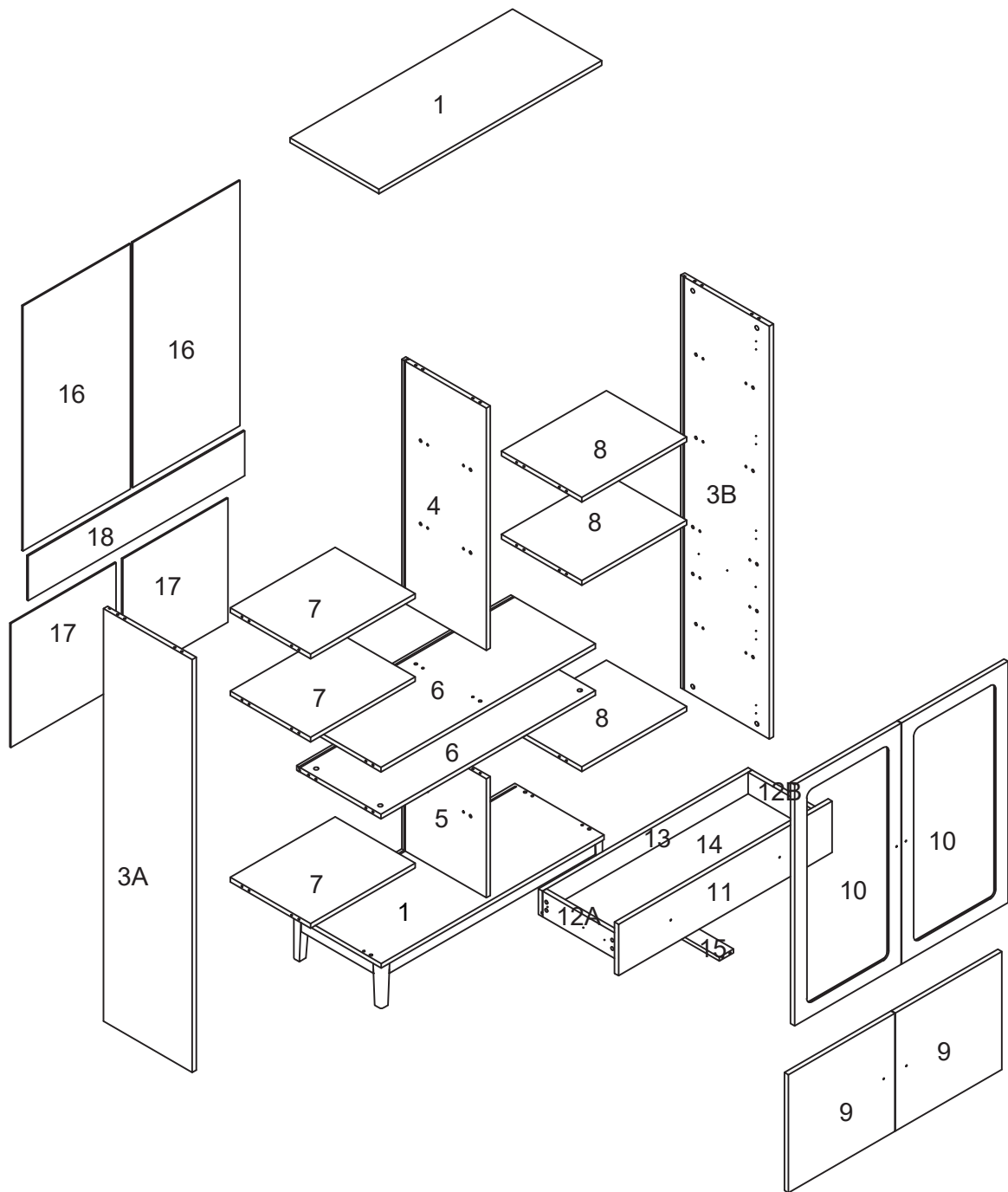
BR-0104BC

 φ15*12 AX52	 M6*35 BX52	 φ8*40 CX48	 M3.5*15 DX94
 M6x45 EX14	 FX14	 GX8	 HX2
 IX6	 JX6	 KX20	 LX1
 MX1	 NX4	 OX14	 PX8
 QX10	 RX2	 SX2	 M4*37 TX2

# BANAK

# BERNA

BR-0104BC

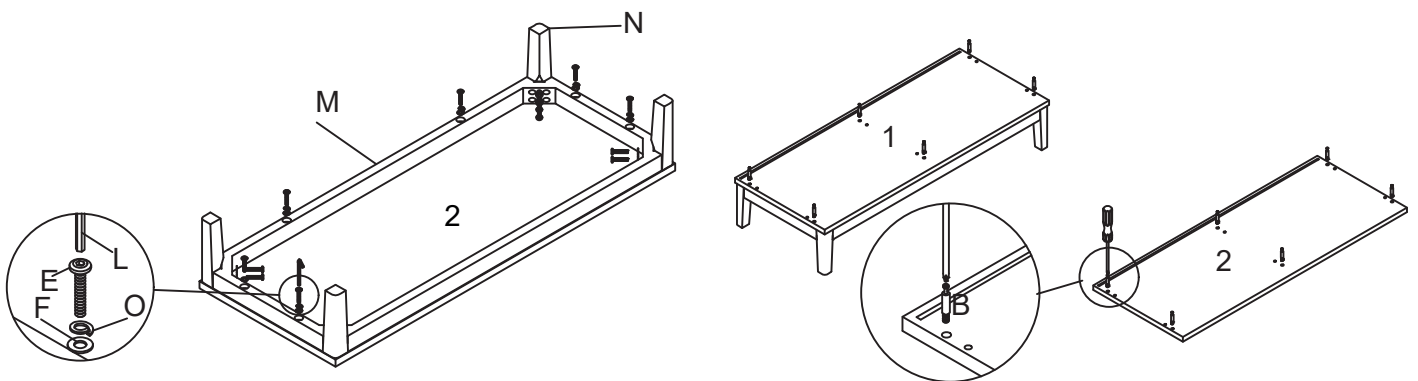
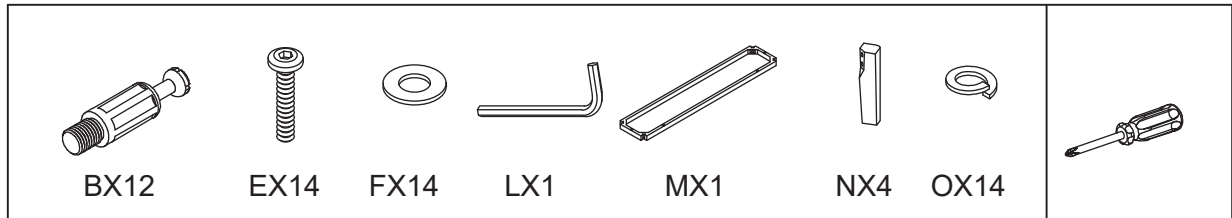


# BANAK

# BERNA

BR-0104BC

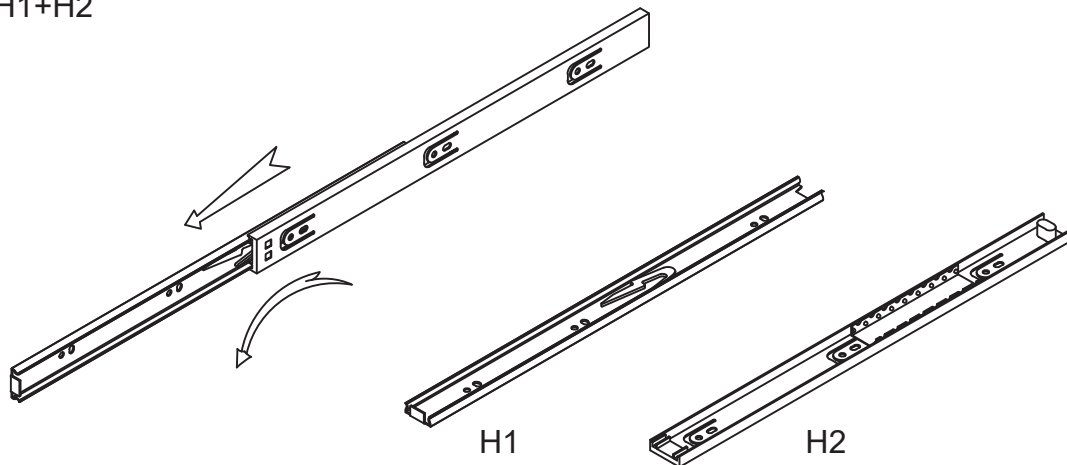
1



2



$H=H1+H2$

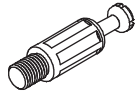


# BANAK

# BERNA

BR-0104BC

3



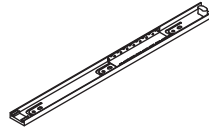
BX20



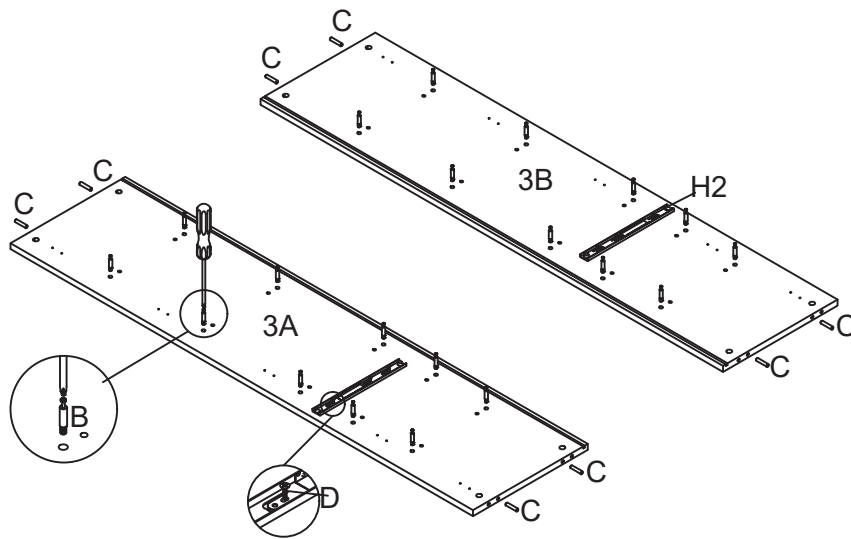
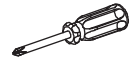
CX8



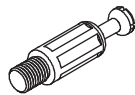
DX6



H2X2



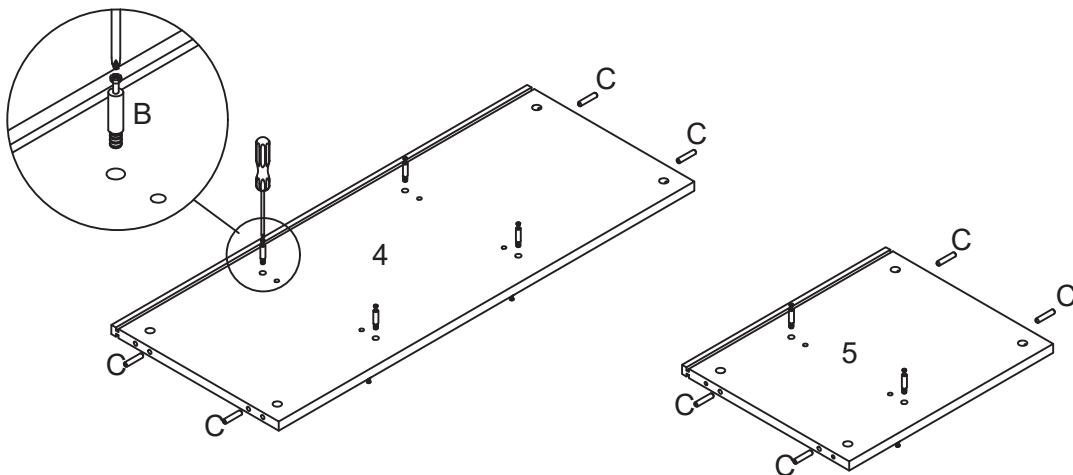
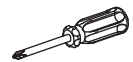
4



BX12



CX8



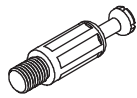


# BANAK

# BERNA

BR-0104BC

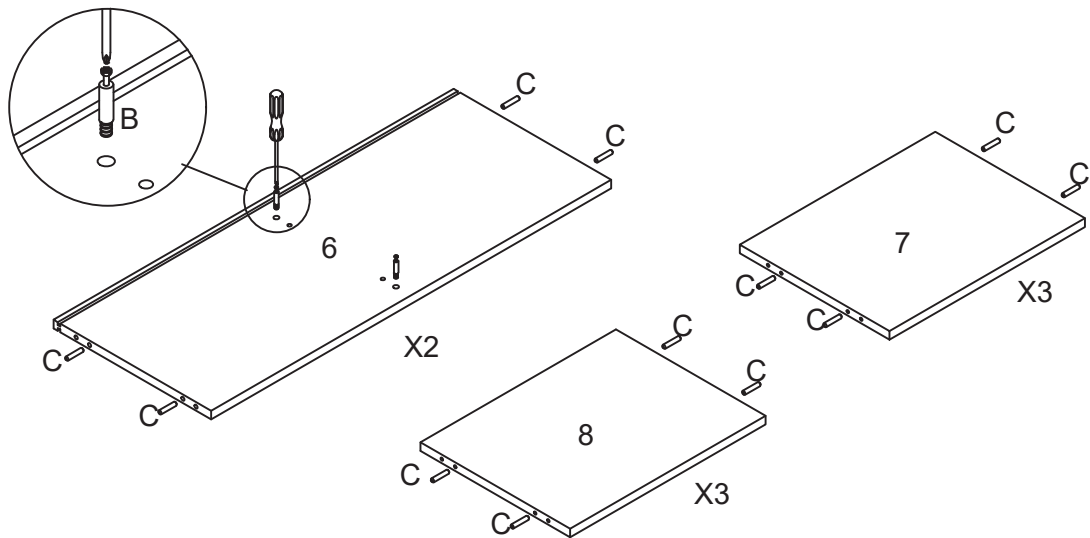
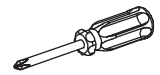
5



BX4



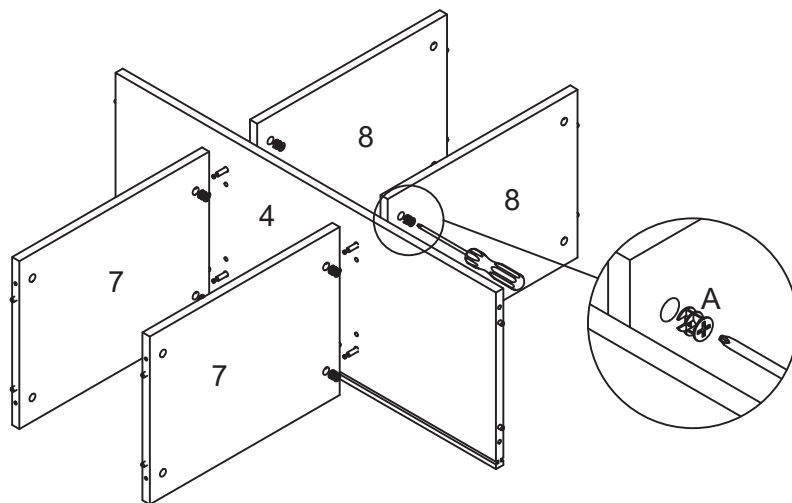
CX32



6



AX8

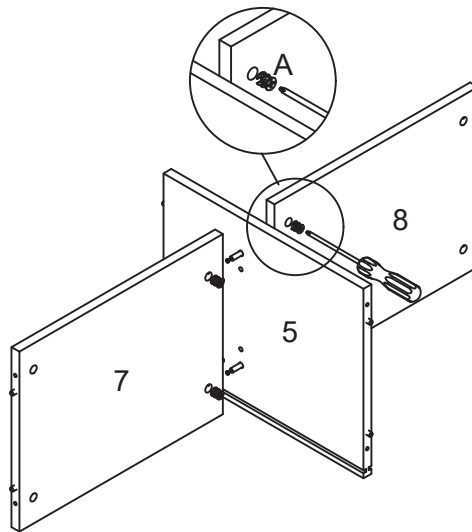
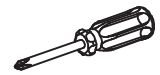


# BANAK

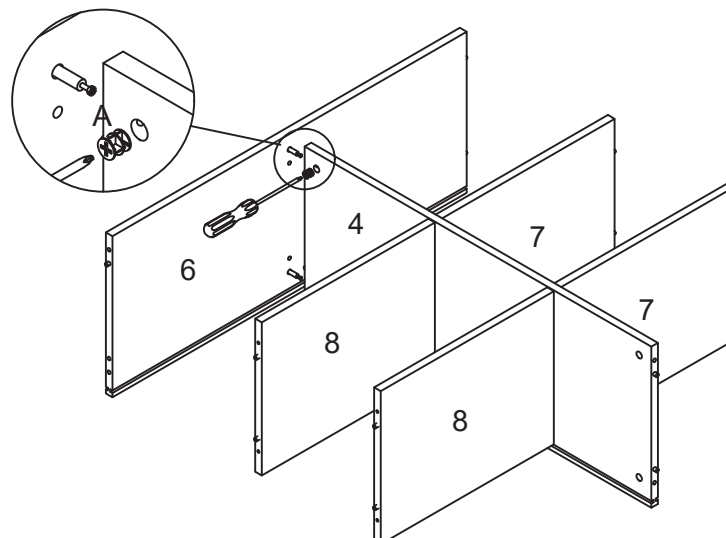
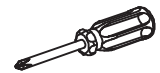
# BERNA

BR-0104BC

7



8

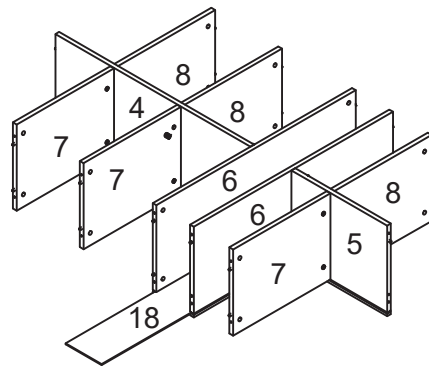
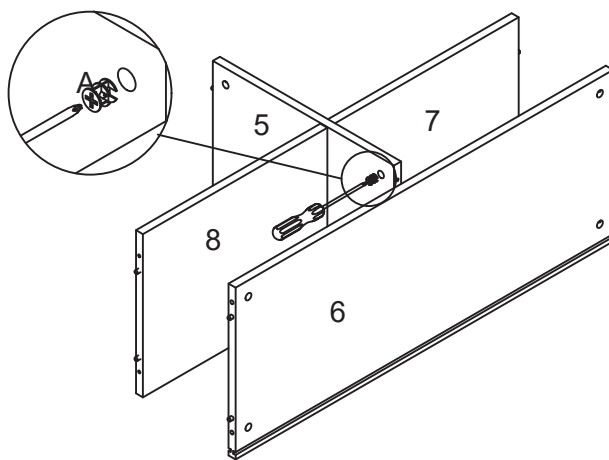


# BANAK

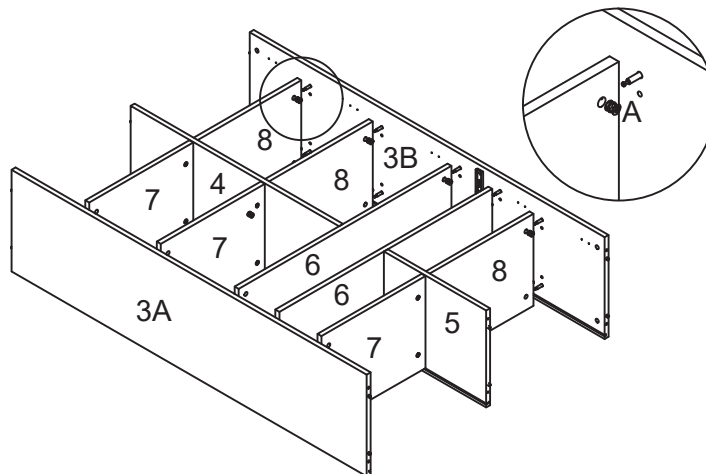
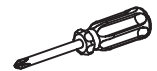
# BERNA

BR-0104BC

9



10



# BANAK

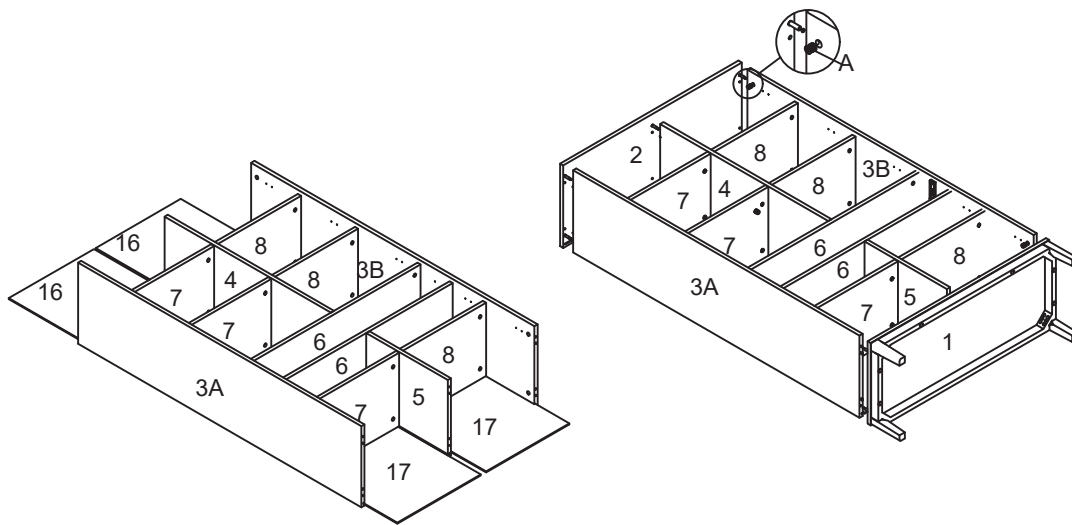
# BERNA

BR-0104BC

11



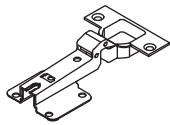
AX12



12



DX20



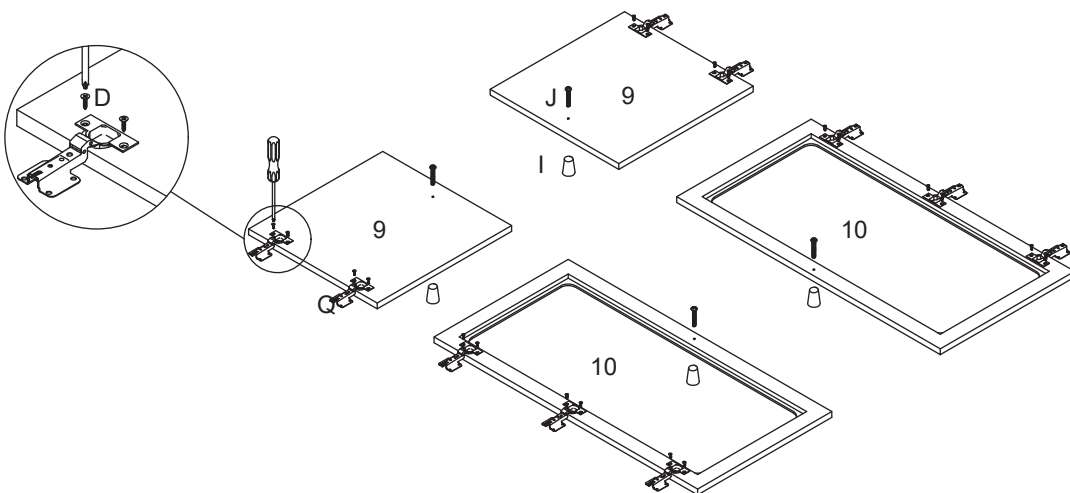
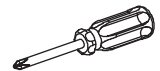
QX10



IX4



JX4



# BANAK

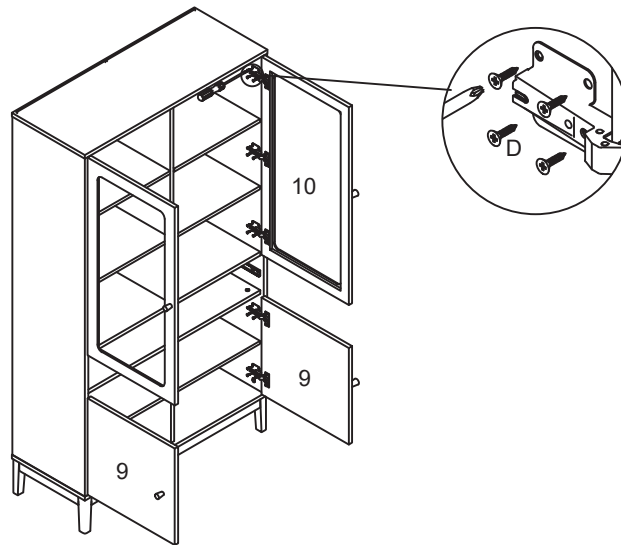
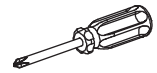
# BERNA

BR-0104BC

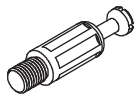
13



DX40



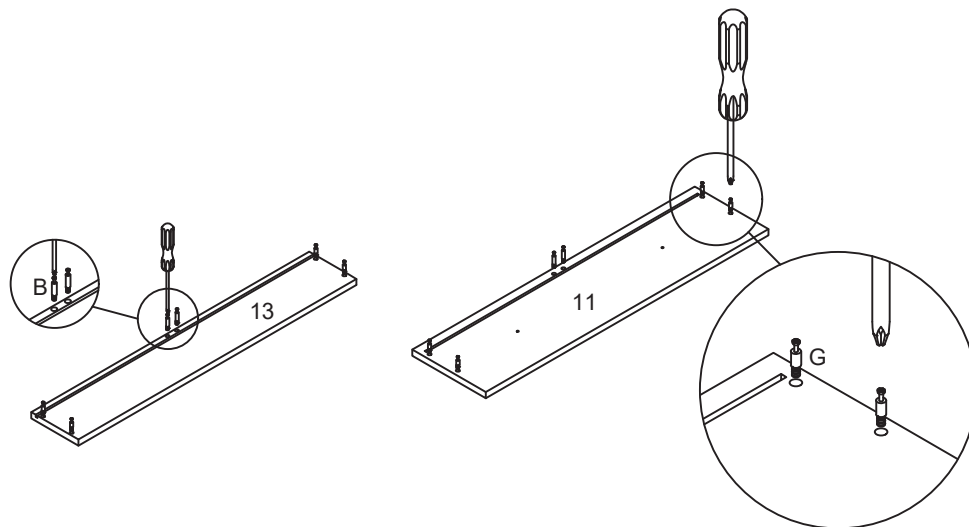
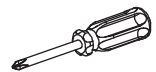
14



BX4



GX8



# BANAK

# BERNA

BR-0104BC

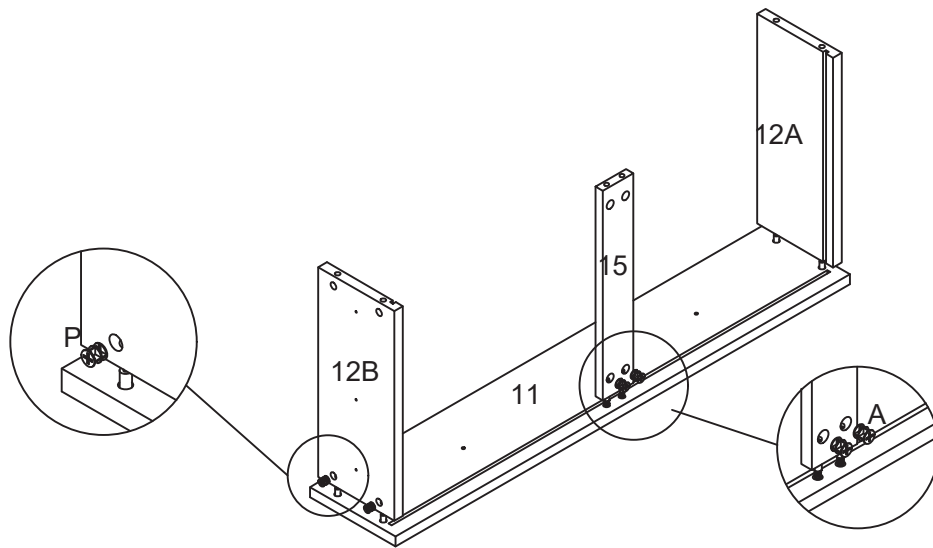
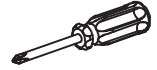
## 15



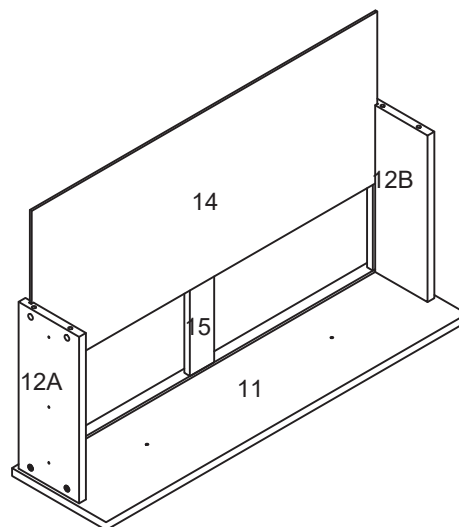
AX2



PX4



## 16

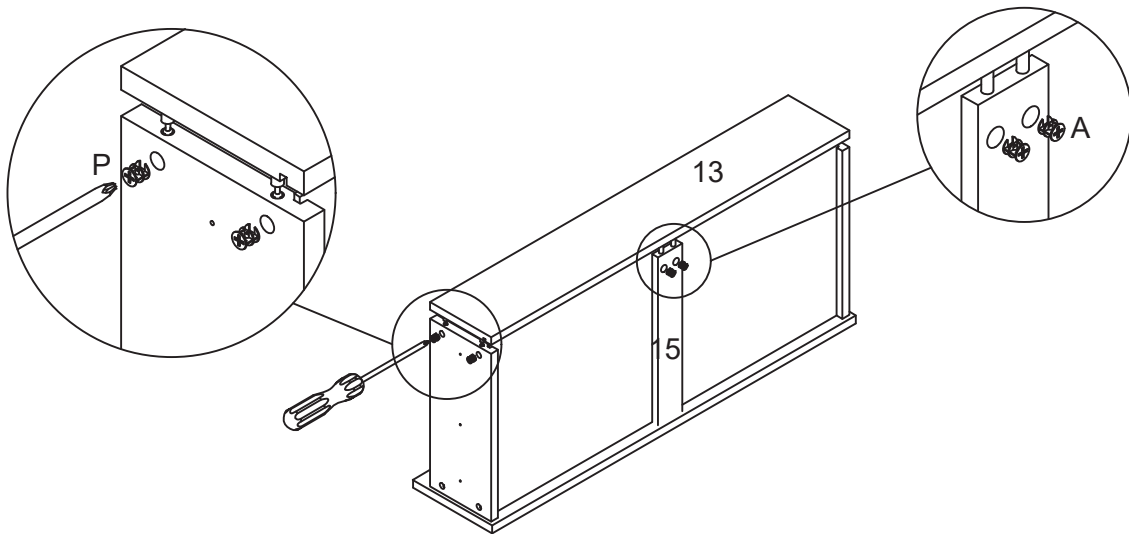
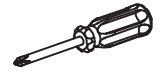


# BANAK

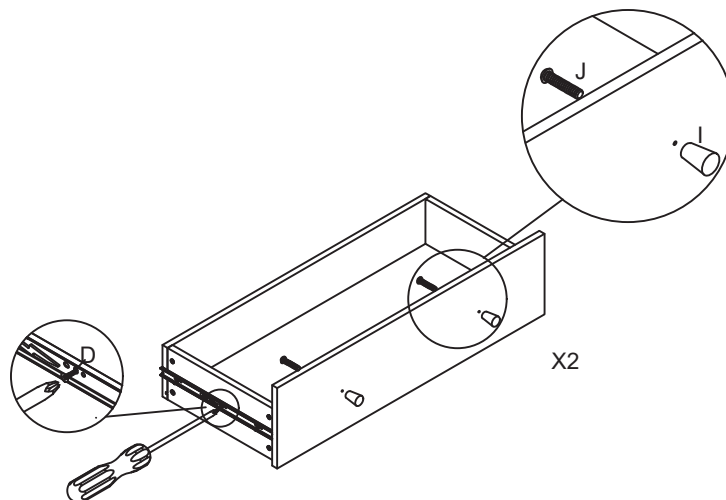
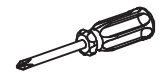
# BERNA

BR-0104BC

17



18



# BANAK

# BERNA

BR-0104BC

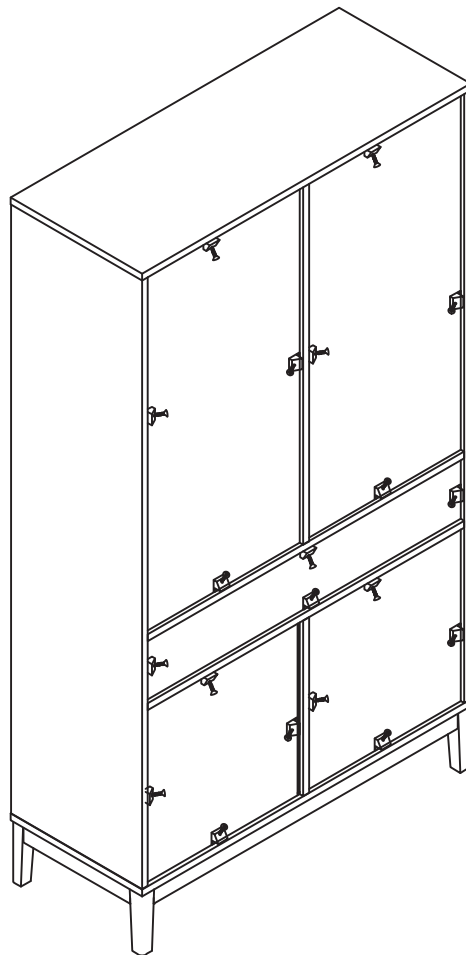
19



DX20



KX20



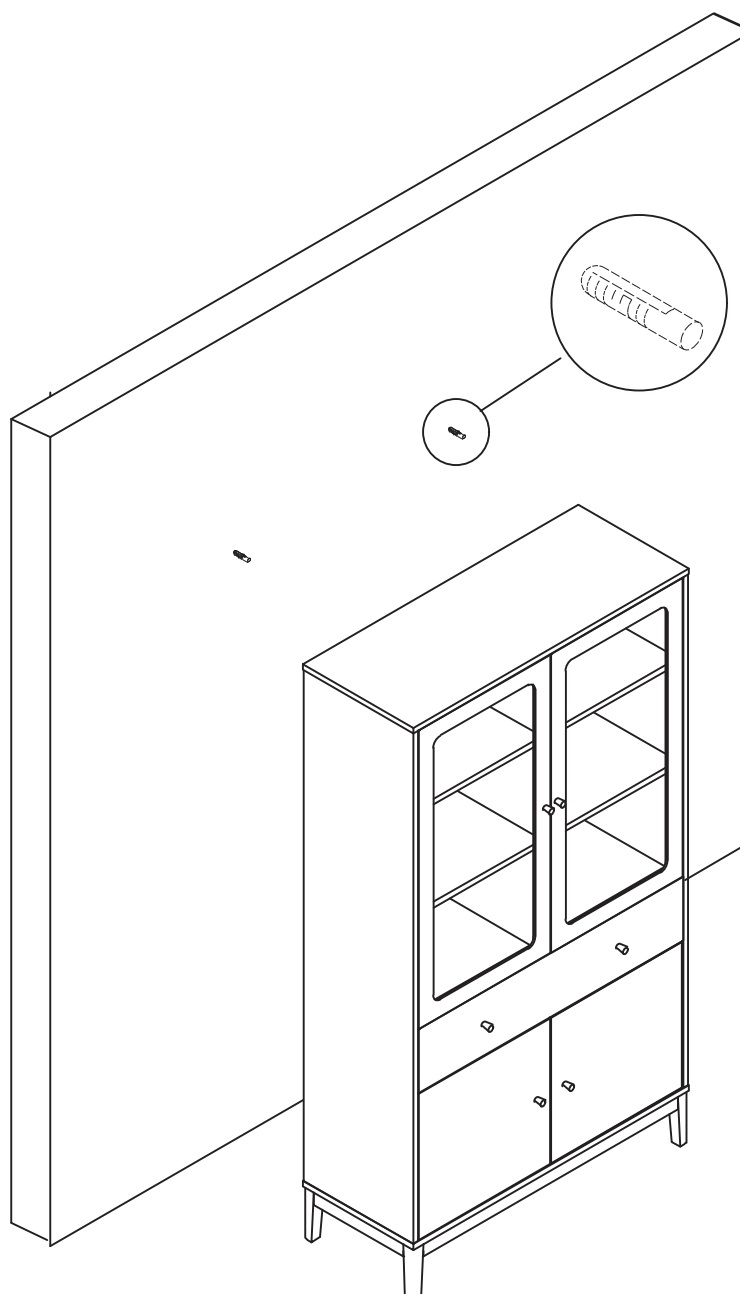


# BANAK

# BERNA

BR-0104BC

## 20

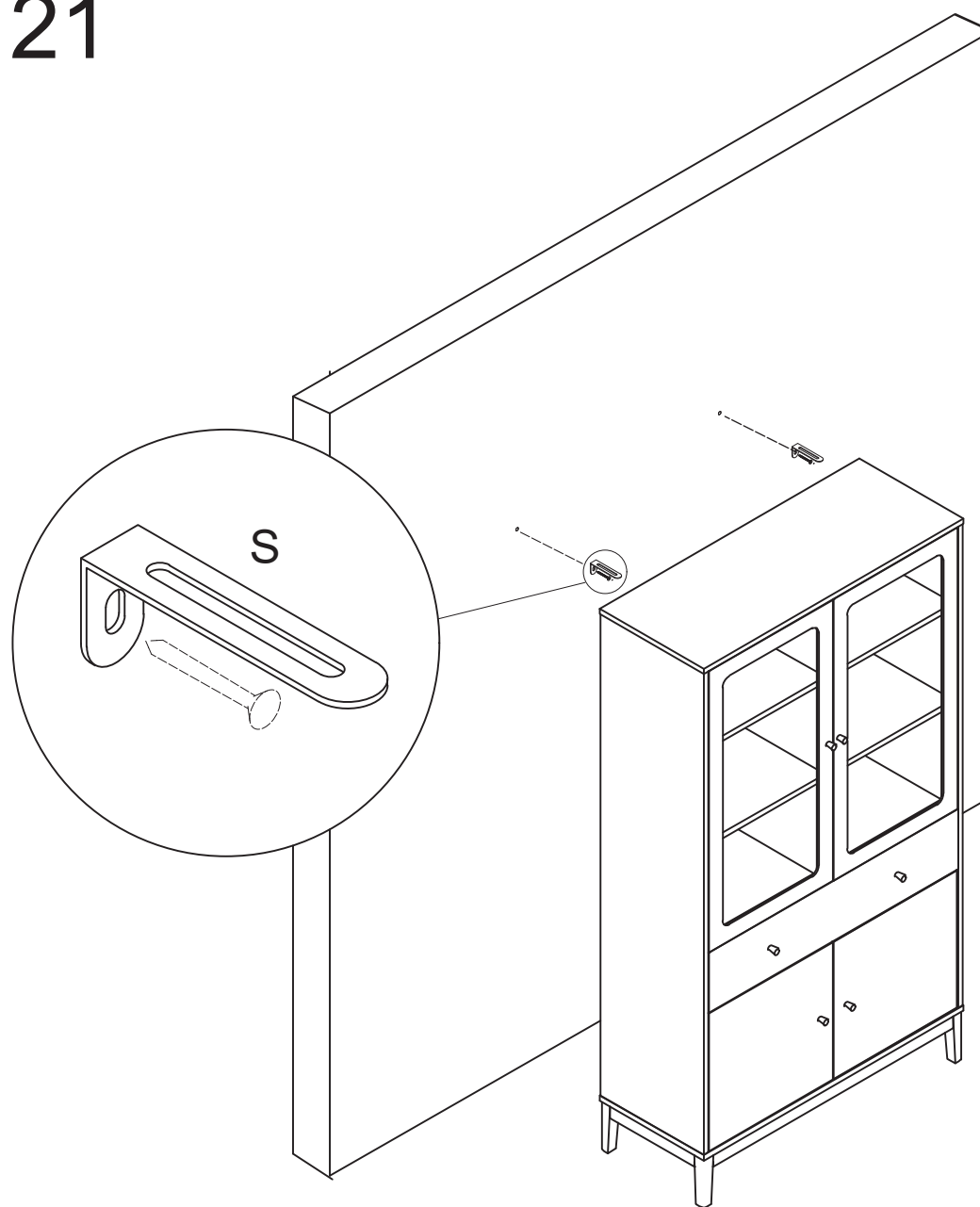


# BANAK

# BERNA

BR-0104BC

## 21



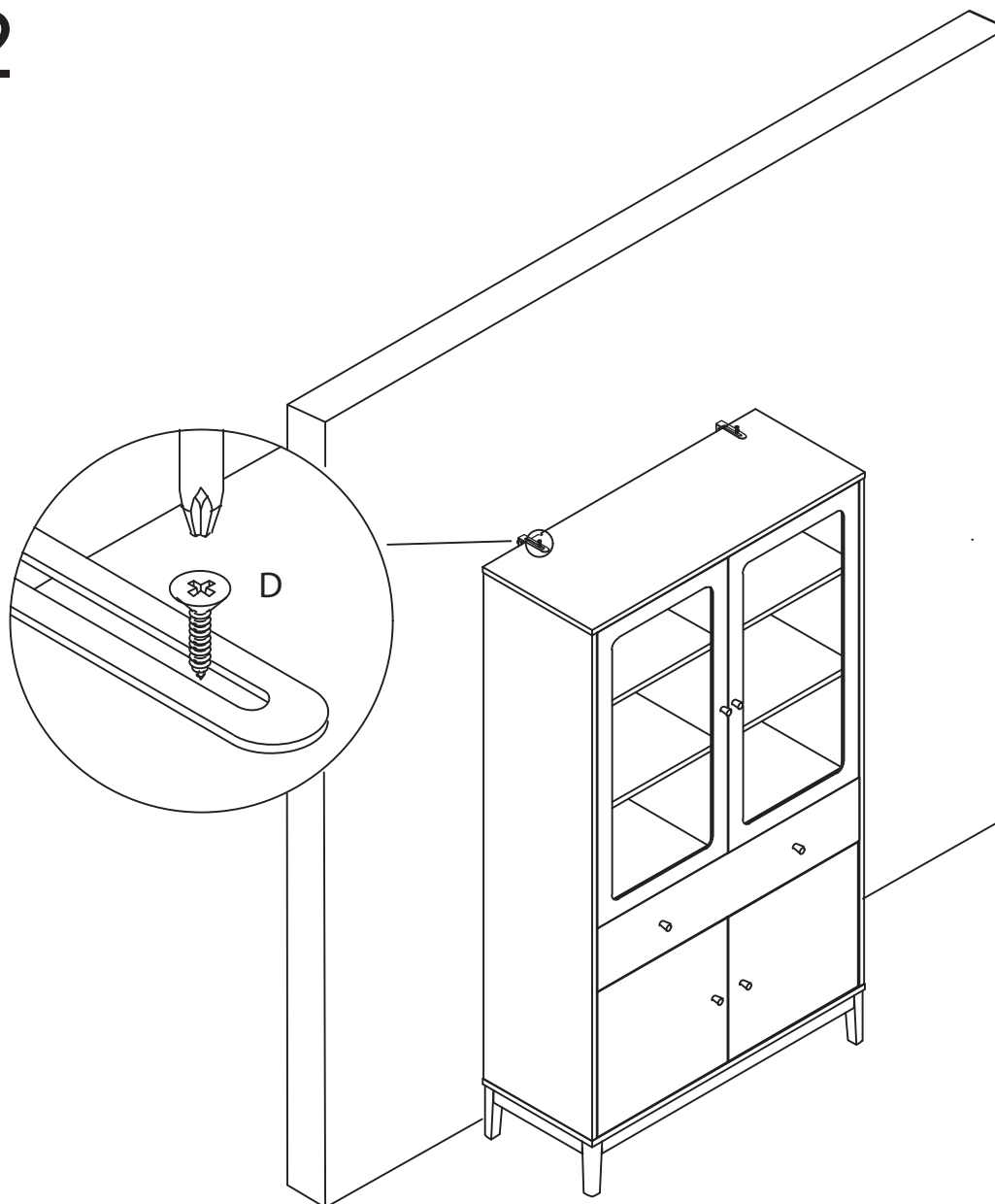
SX2

# BANAK

# BERNA

BR-0104BC

## 22



DX2