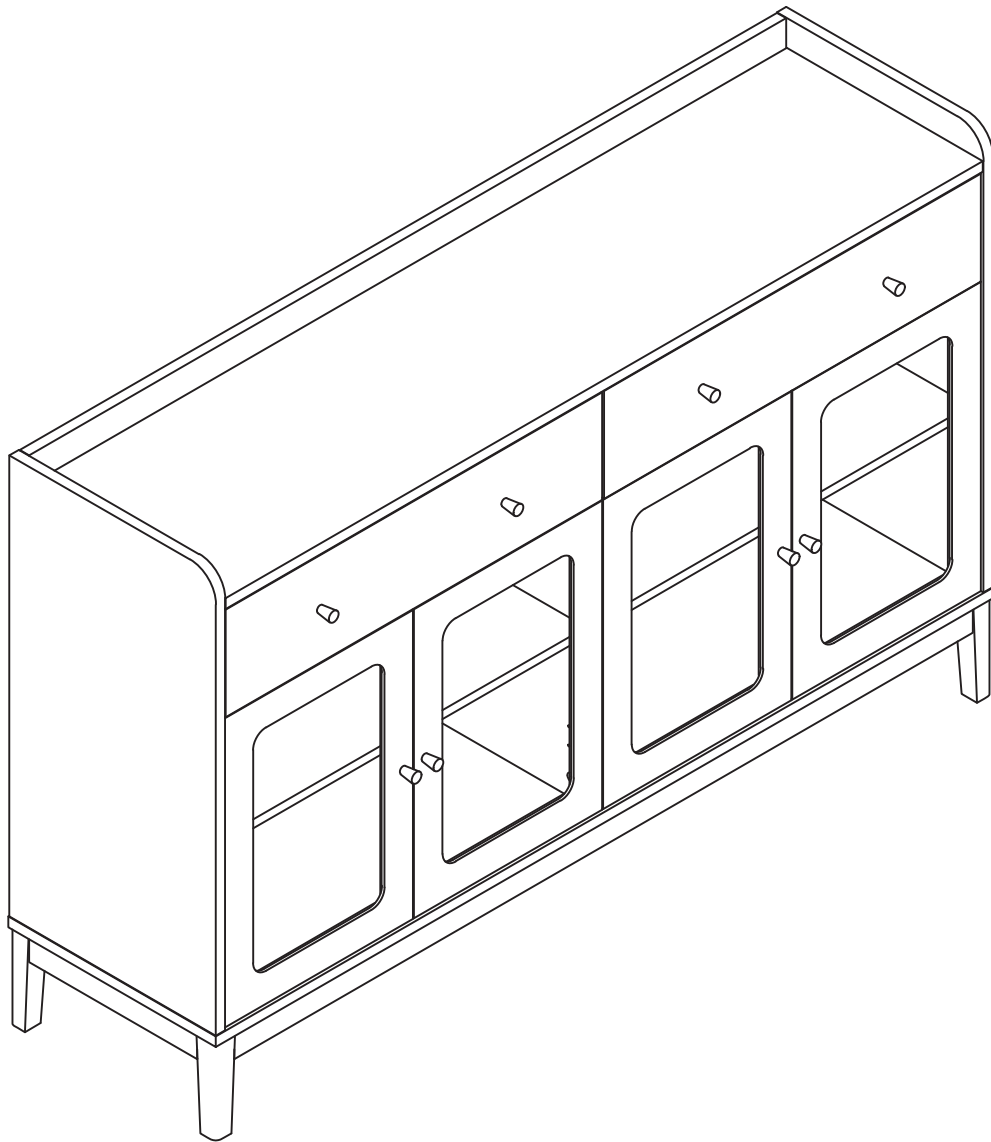


BANAK

BERNA

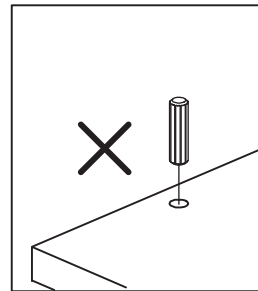
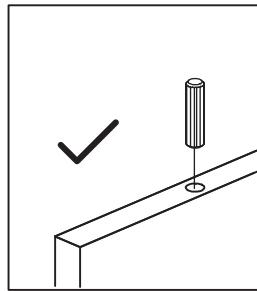
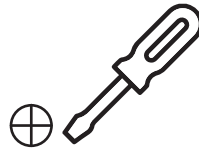
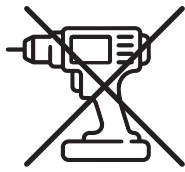
BR-0107BC



BANAK

BERNA

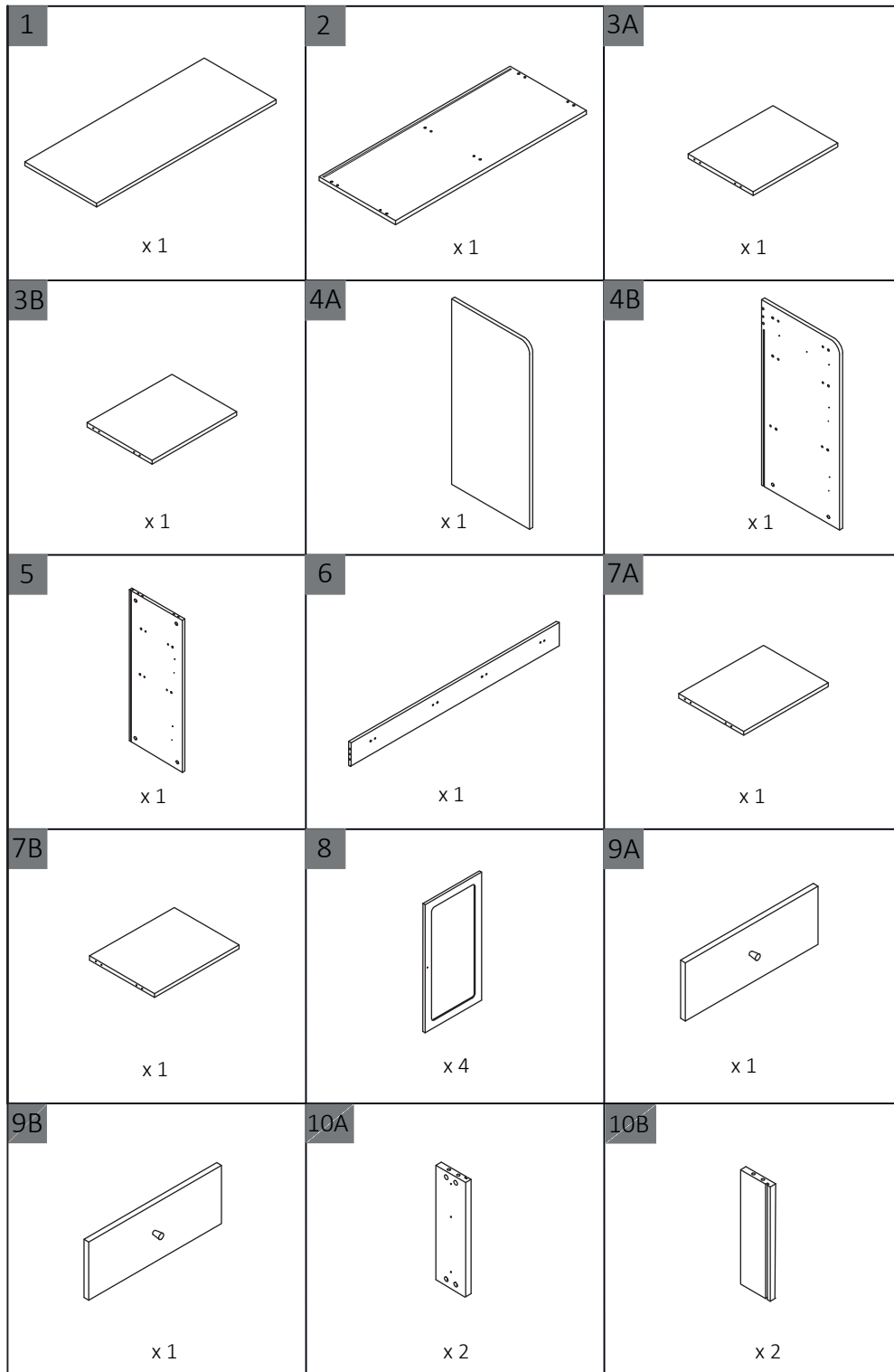
BR-0107BC



BANAK

BERNA

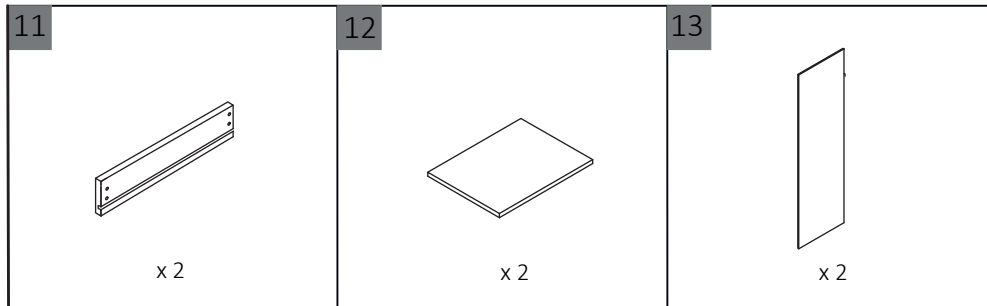
BR-0107BC

















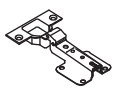
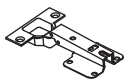
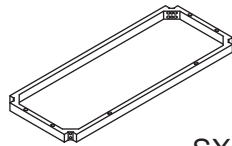

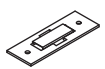


BANAK

BERNA

BR-0107BC

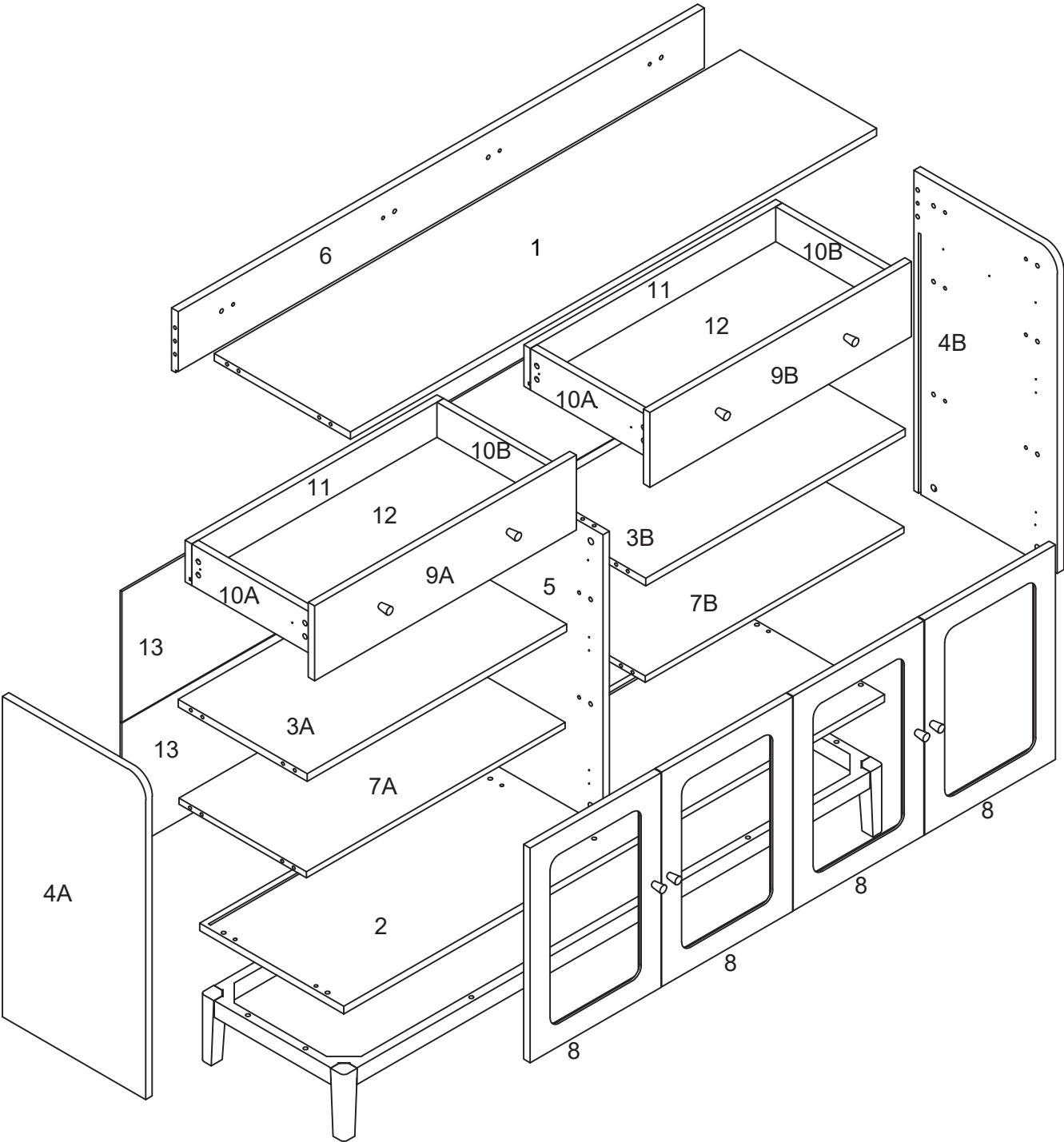


 φ15*12 AX36	 M6*35 BX36	 φ8*40 CX34	 M3.5*15 DX82
 M6x45 EX14	 FX14	 GX14	 HX4
 IX16	 JX16	 KX8	 LX8
 MX4	 NX1	 OX1	 PX6
 QX4	 RX4	 SX1	 TX4
 VX4			

BANAK

BERNA

BR-0107BC



BANAK

BERNA

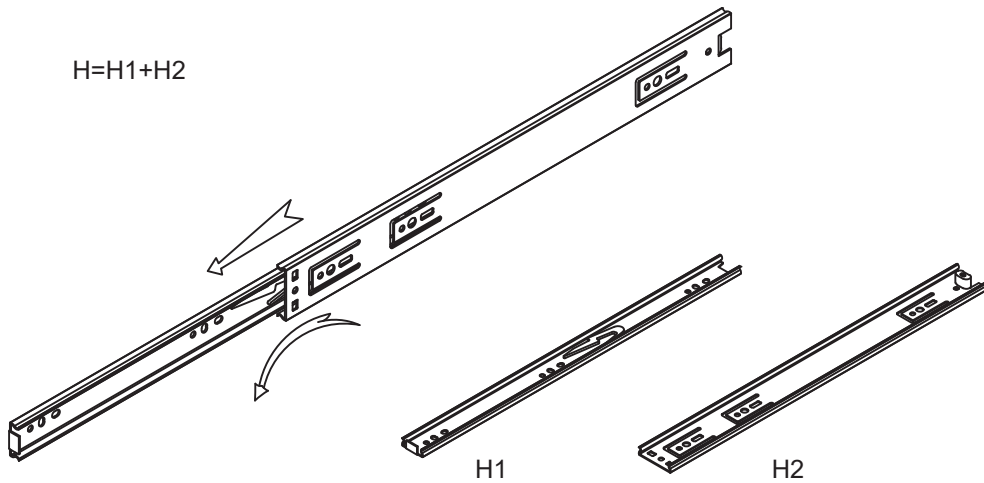
BR-0107BC

1



HX4

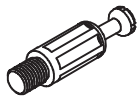
$H=H1+H2$



H1

H2

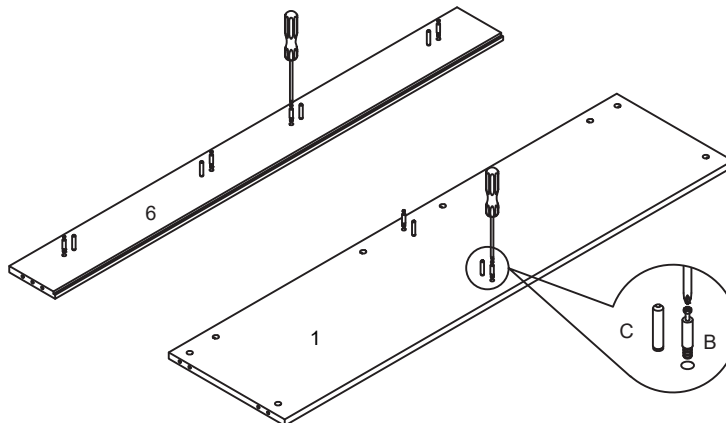
2



BX6



CX6



BANAK

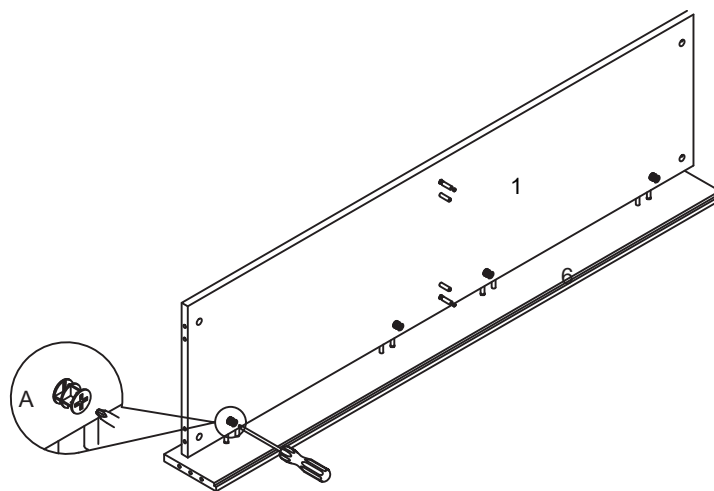
BERNA

BR-0107BC

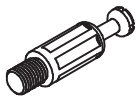
3



AX4



4



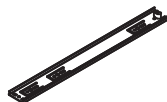
BX8



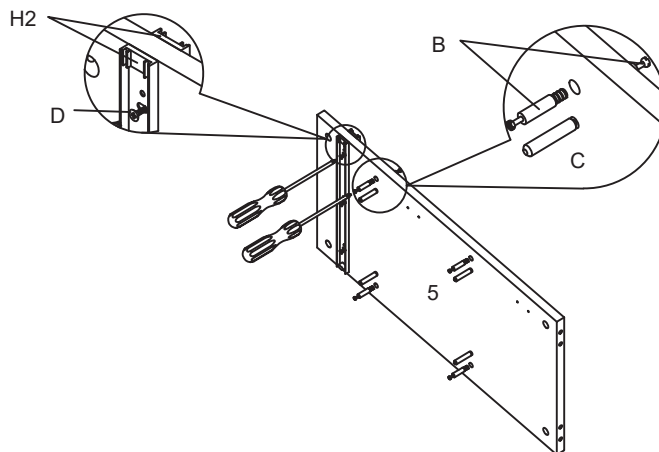
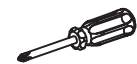
CX8



DX6



H2X2



BANAK

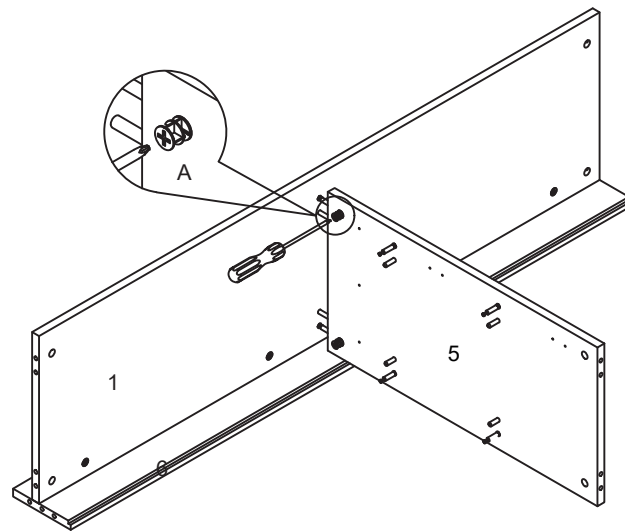
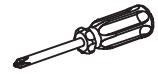
BERNA

BR-0107BC

5



AX2



6



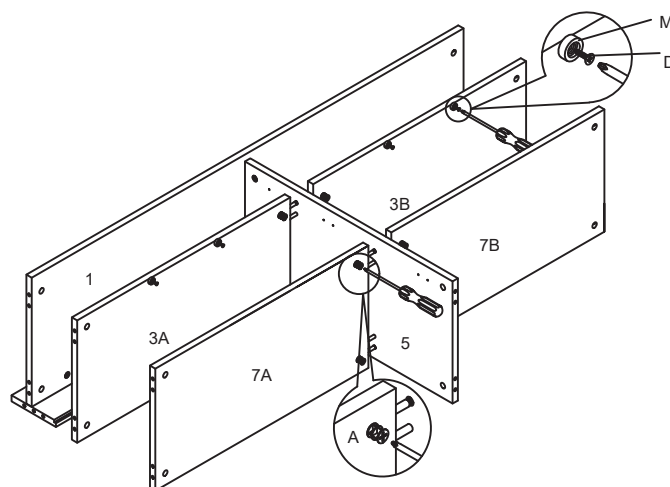
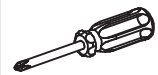
AX8



MX4



DX4

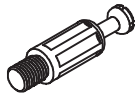


BANAK

BERNA

BR-0107BC

7



BX16



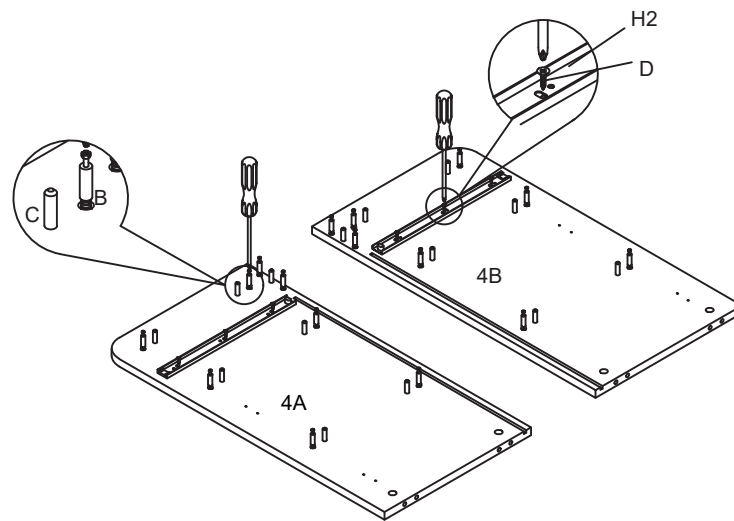
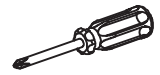
CX14



DX6



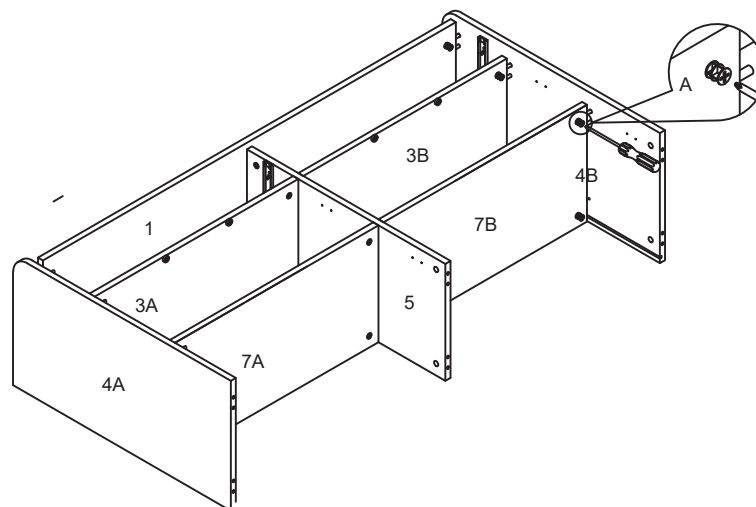
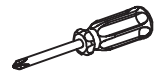
H2X2



8



AX12

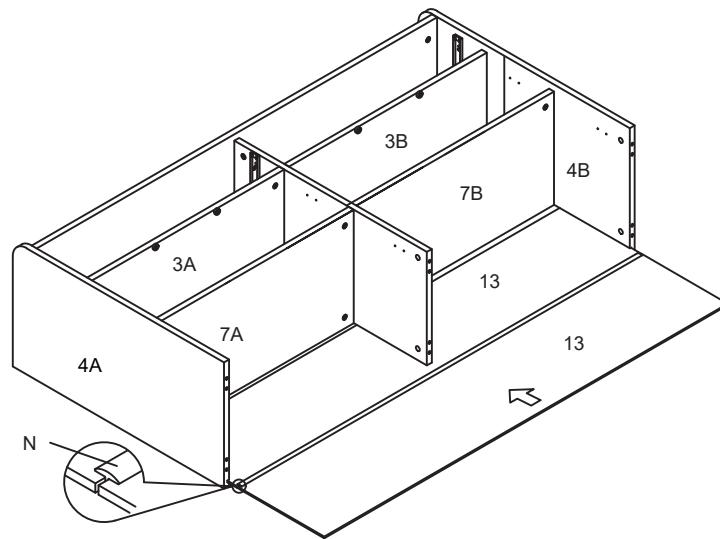
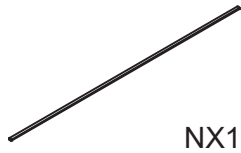


BANAK

BERNA

BR-0107BC

9



10



EX14



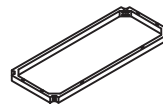
FX14



GX14



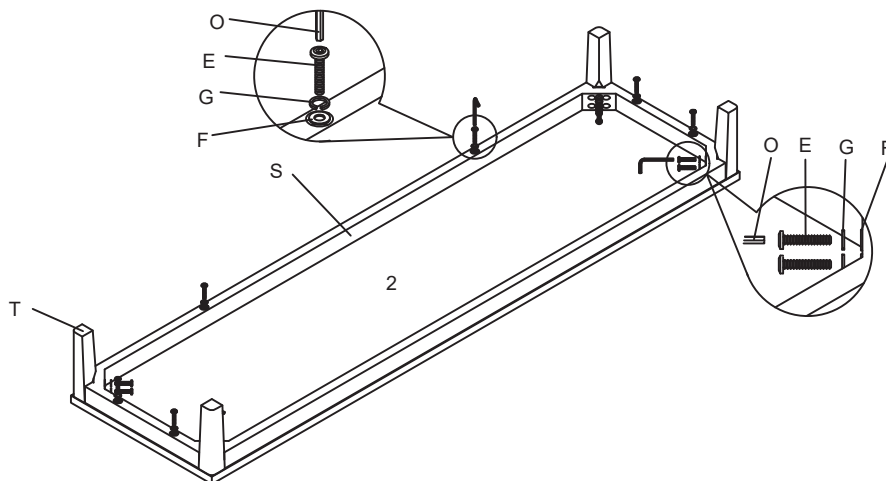
OX1



SX1



TX4

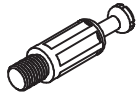


BANAK

BERNA

BR-0107BC

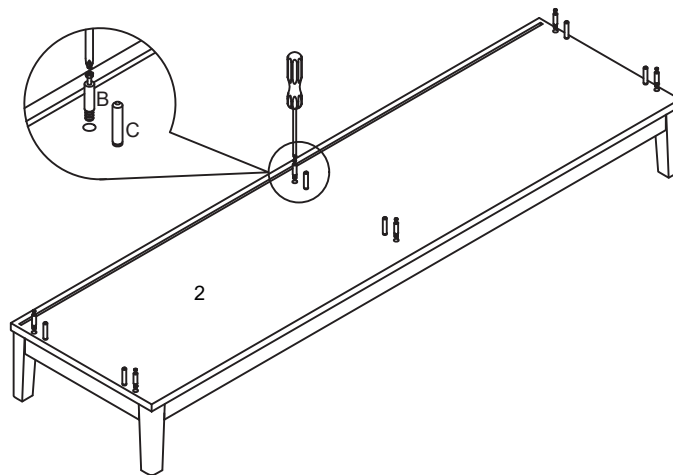
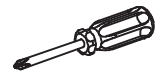
11



BX6



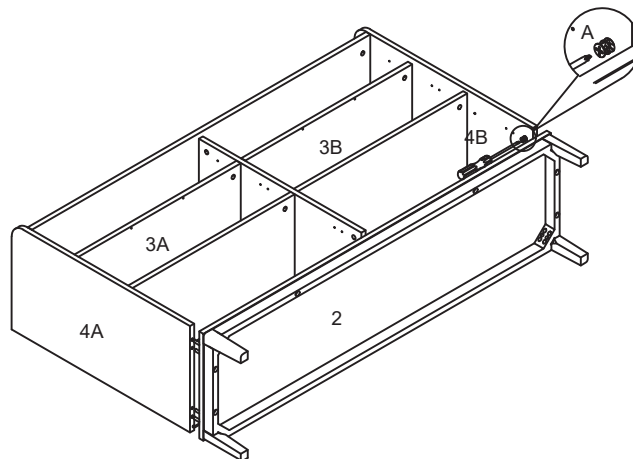
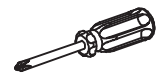
CX6



12



AX6



BANAK

BERNA

BR-0107BC

13



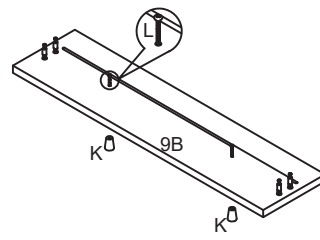
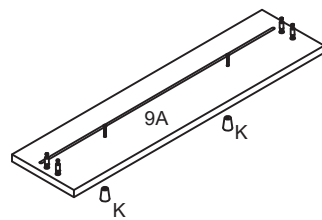
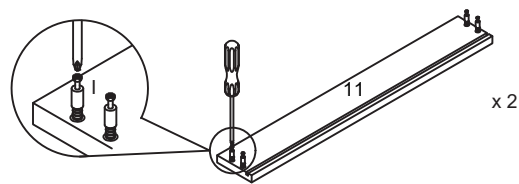
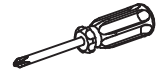
IX16



KX4



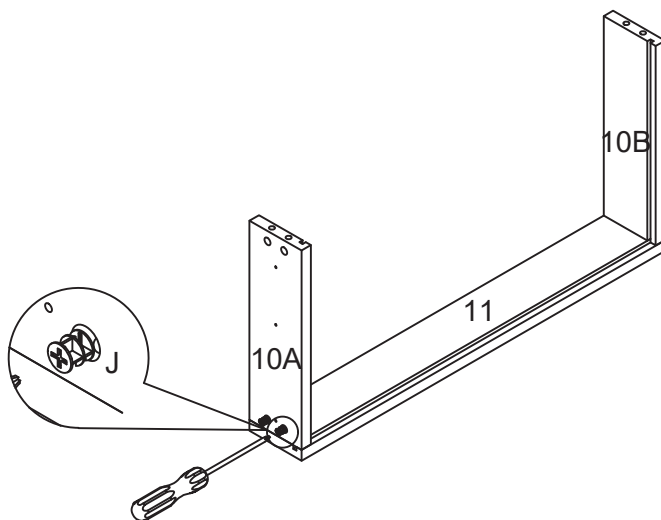
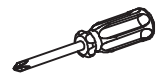
LX4



14



JX8



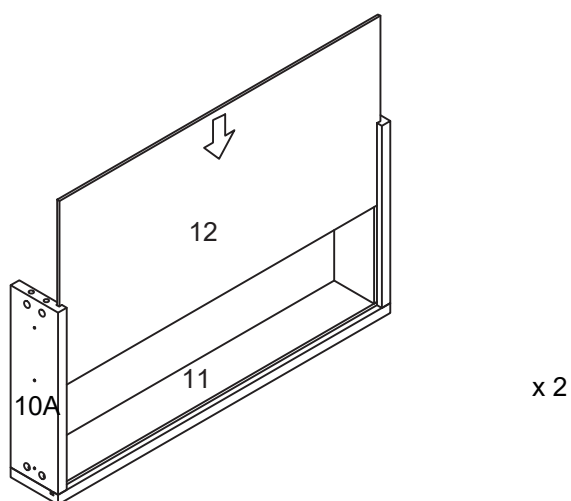
x 2

BANAK

BERNA

BR-0107BC

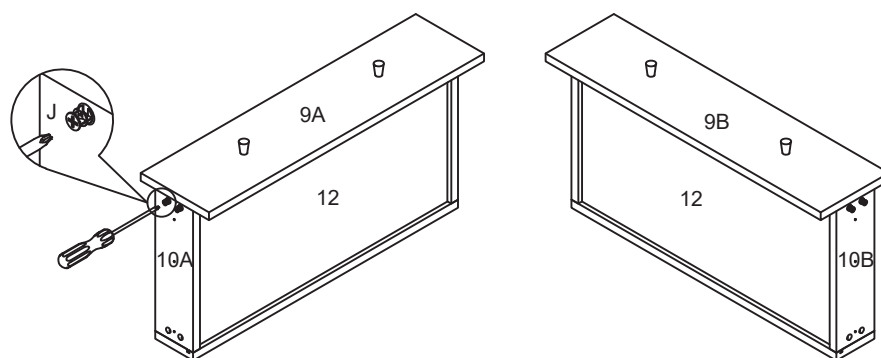
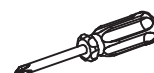
15



16



JX8



BANAK

BERNA

BR-0107BC

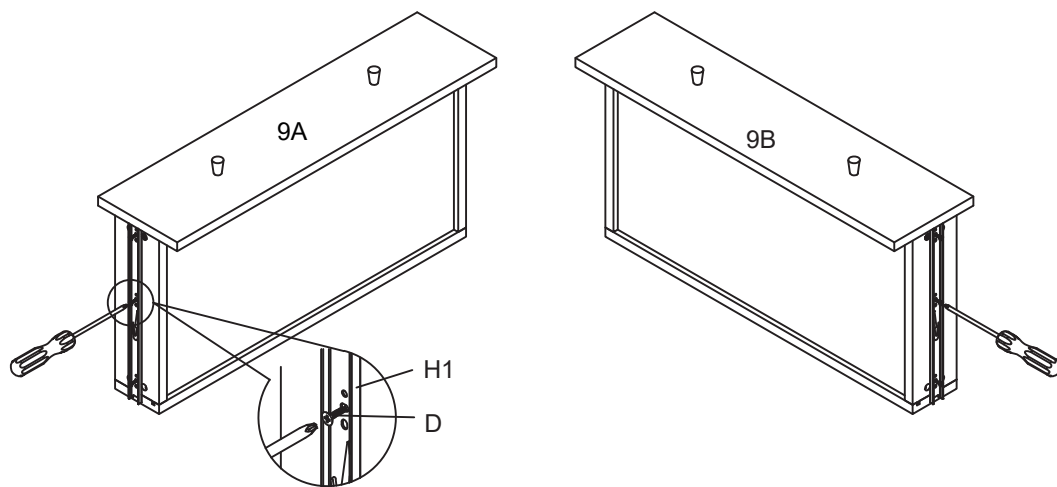
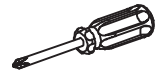
17



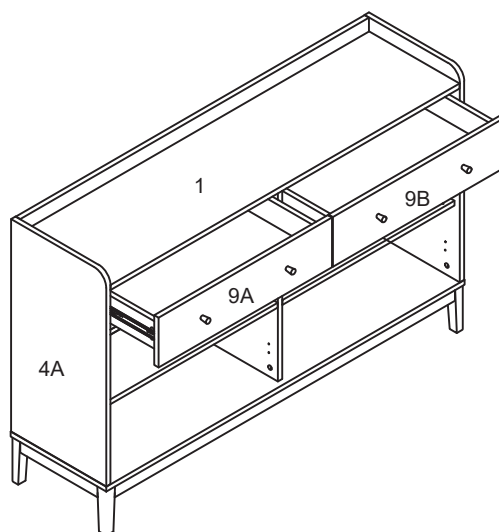
DX12



H1X4



18



BANAK

BERNA

BR-0107BC

19



QX4



RX4



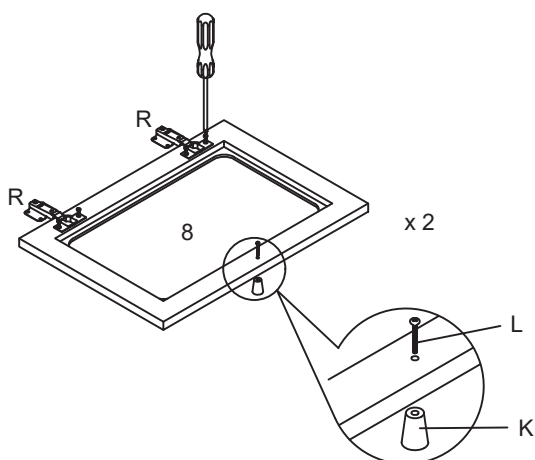
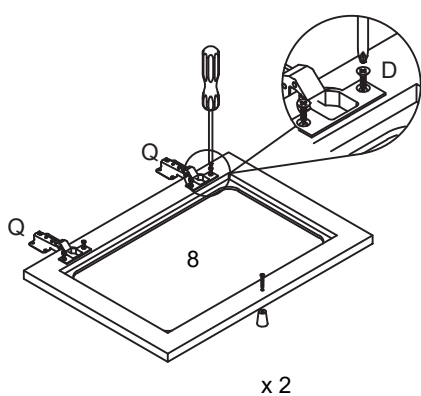
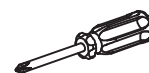
KX4



LX4



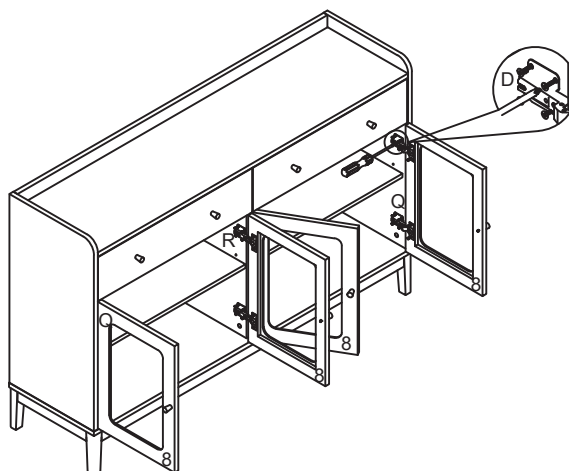
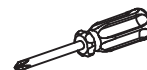
DX16



20



DX32



BANAK

BERNA

BR-0107BC

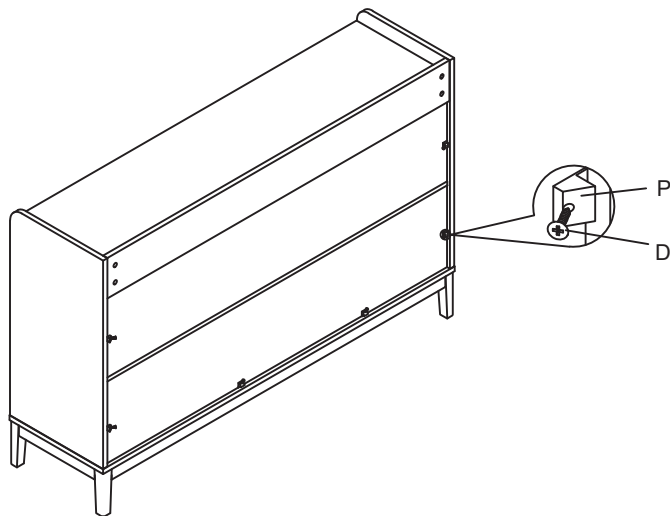
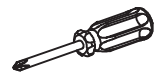
21



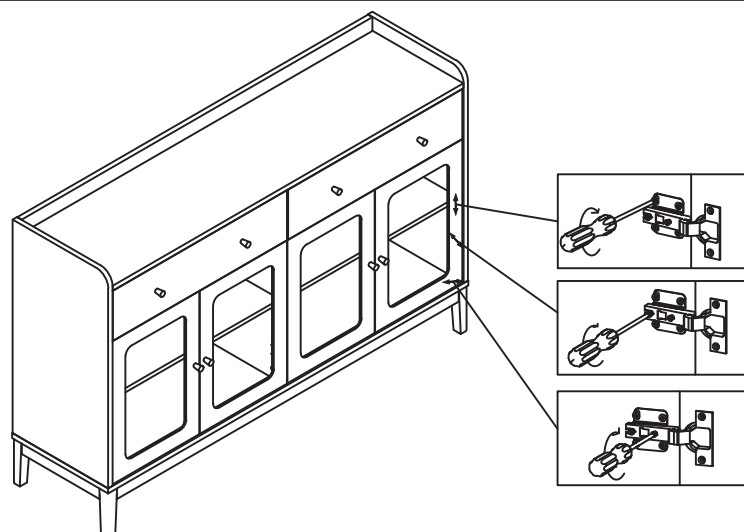
PX6



DX6



22

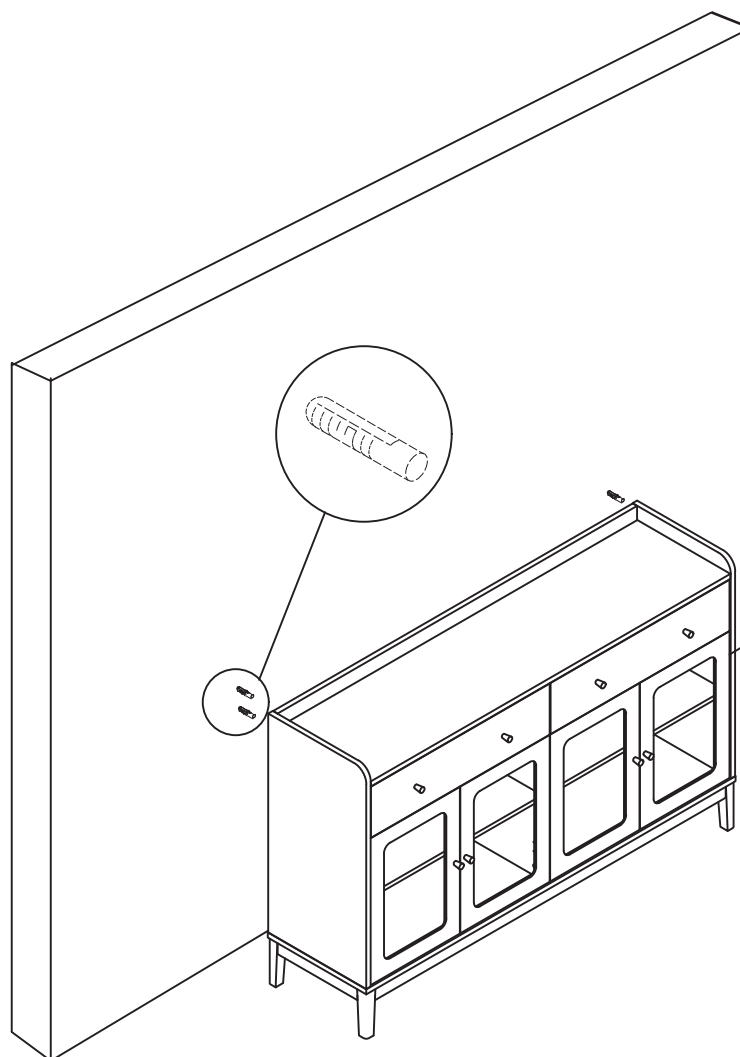


BANAK

BERNA

BR-0107BC

23



BANAK

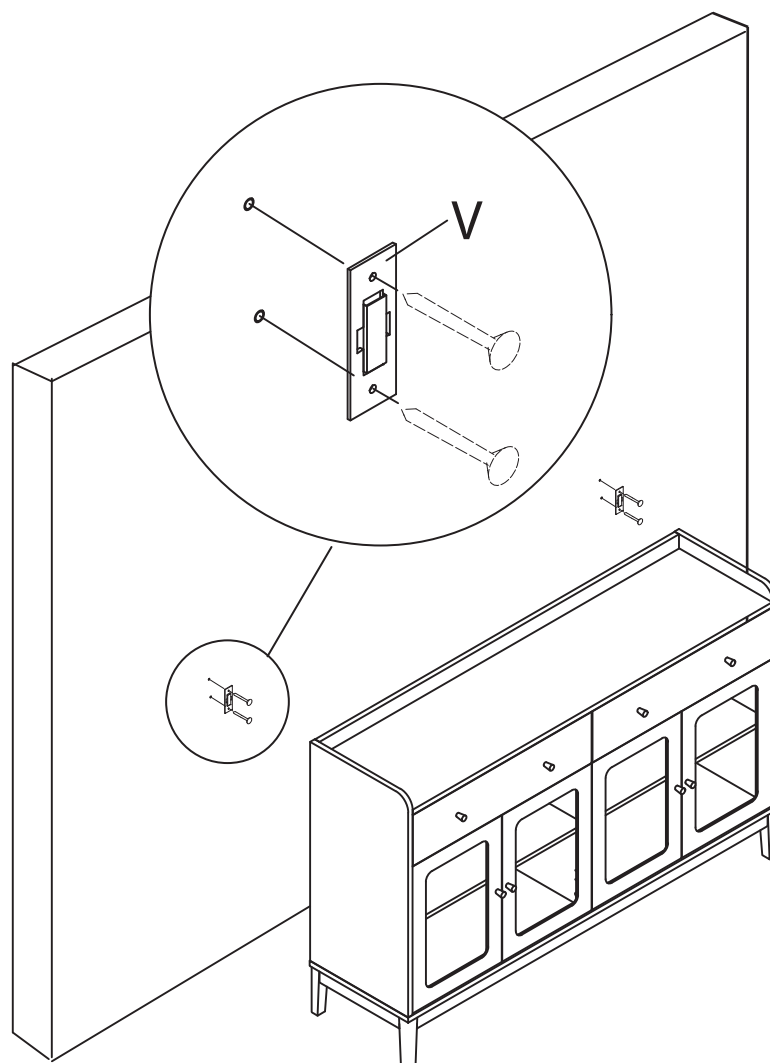
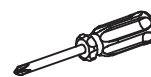
BERNA

BR-0107BC

24



Vx2



BANAK

BERNA

BR-0107BC

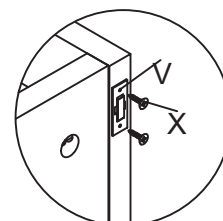
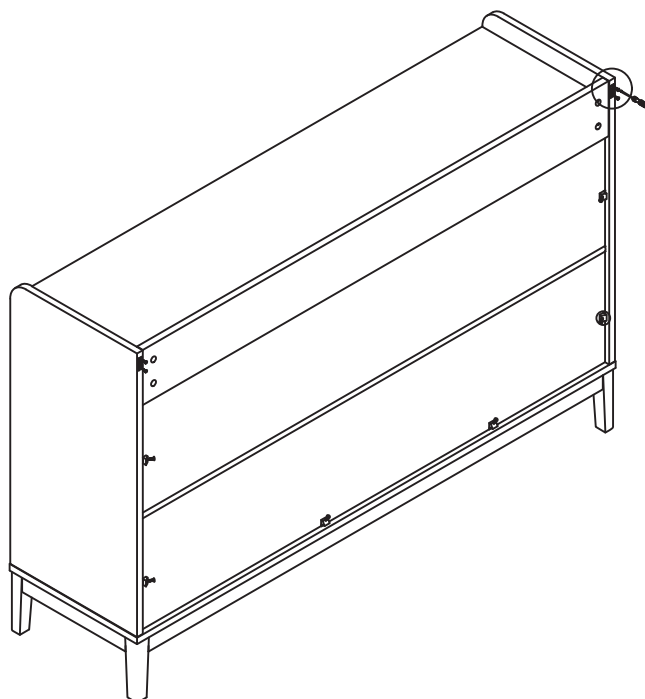
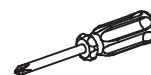
25



Vx2



Xx4



BANAK

BERNA

BR-0107BC

26

