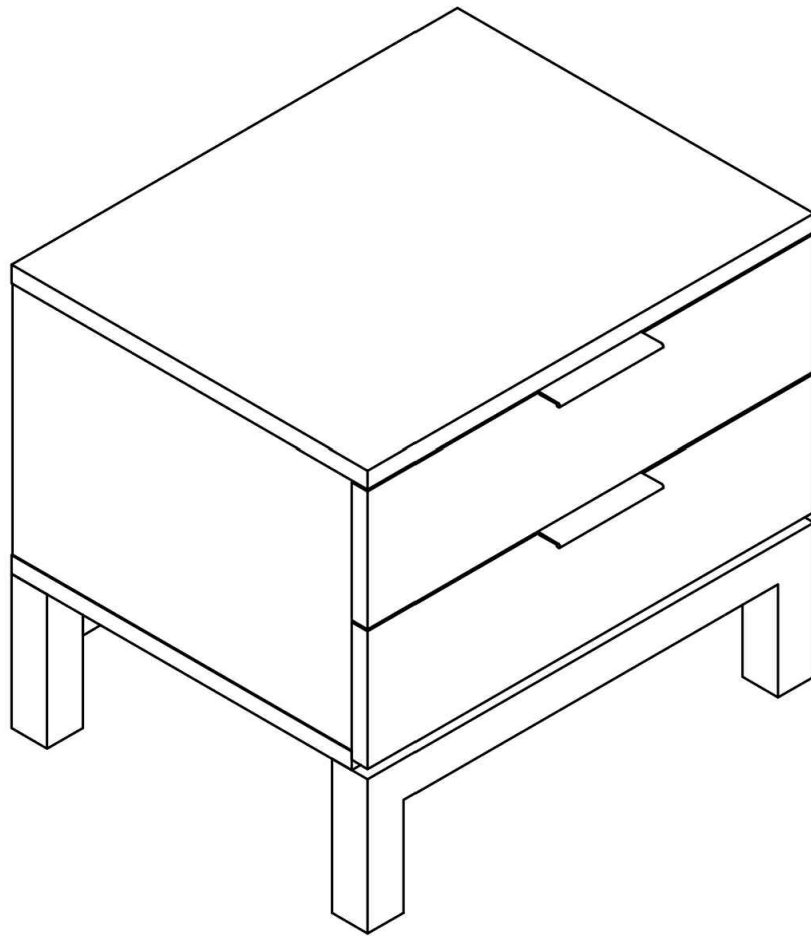


BANAK

COIMBRA

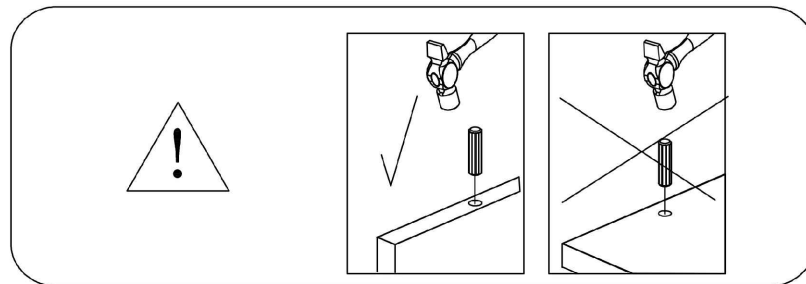
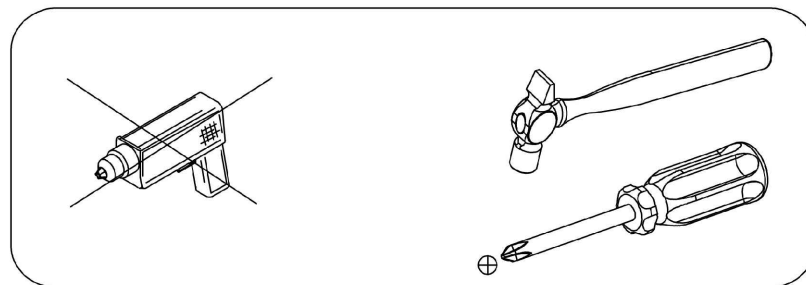
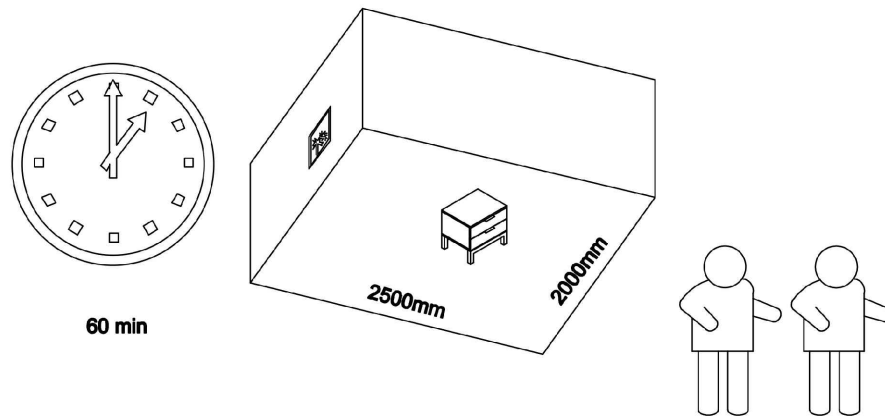
CR-0100



BANAK

COIMBRA

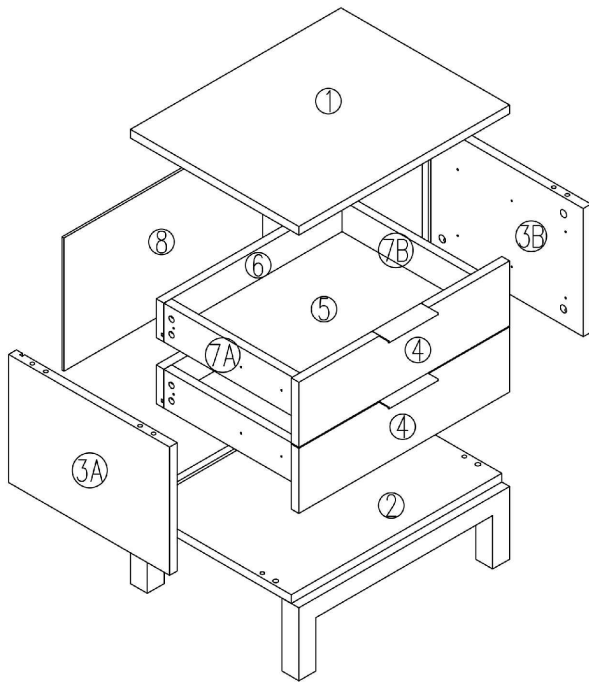
CR-0100












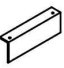



BANAK

COIMBRA

CR-0100



1	1	500x400x18MM
2	1	500x382x18MM
3A	1	382x264x18MM
3B	1	382x264x18MM
4	2	500x134x18MM
5	2	415x342x5MM
6	2	441x80x18MM
7A	2	332x80x18MM
7B	2	332x80x18MM
8	1	472x274x5MM

 φ 15x12 Ax8	 M6x35 Bx8	 φ 8x40 Cx8	 M3. 5x15 Dx32
 350mm Ex4	 φ12x12 Fx16	 M6x24 Gx16	 φ 16x1.5xM6 Hx8
 M6x20 Ix8	 Jx2	 Kx4	 M5 Lx1
 M6 Mx8			

BANAK

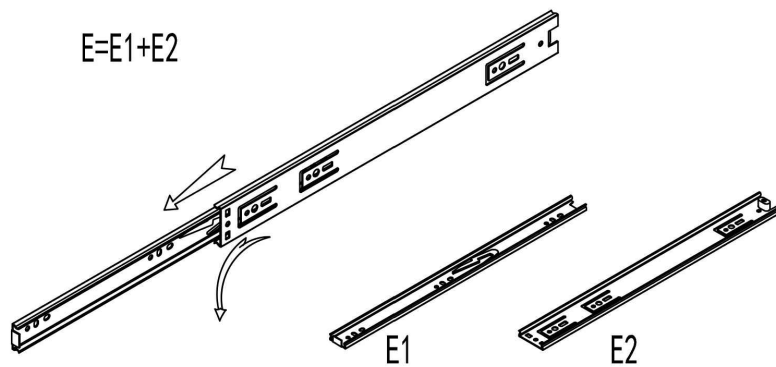
COIMBRA

CR-0100

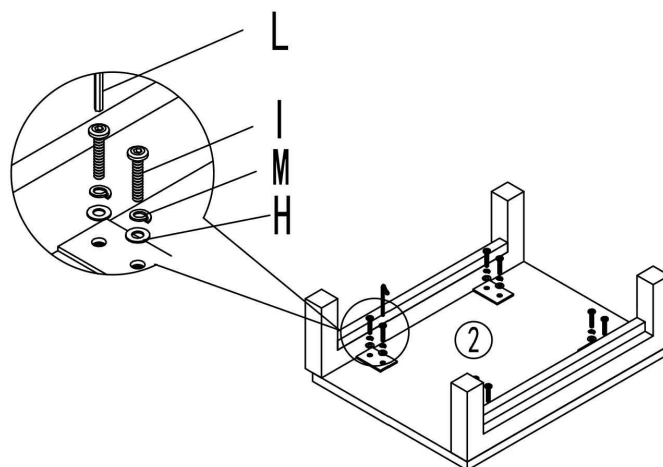
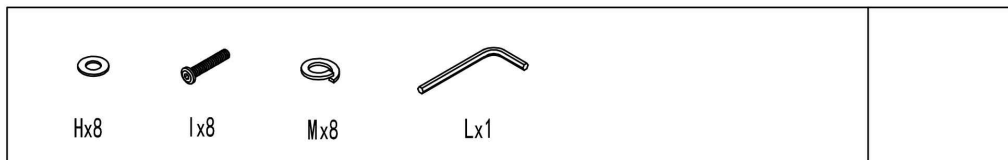
1



$$E = E1 + E2$$



2



BANAK

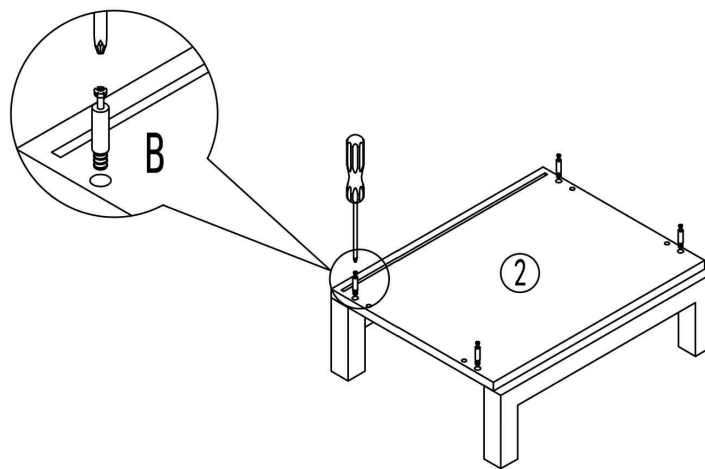
COIMBRA

CR-0100

3



Bx4



4



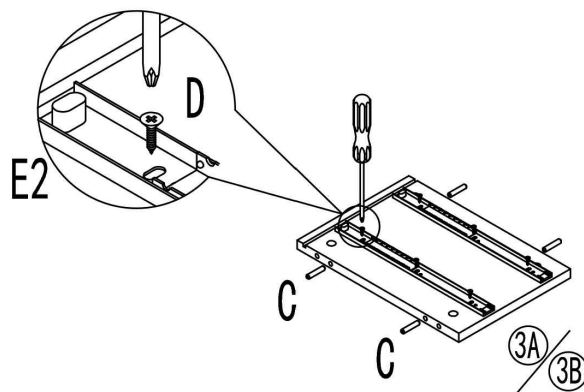
Cx8



Dx12



E2x4



BANAK

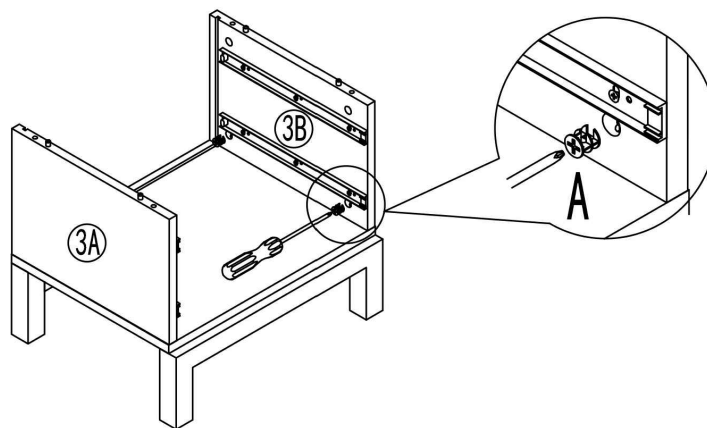
COIMBRA

CR-0100

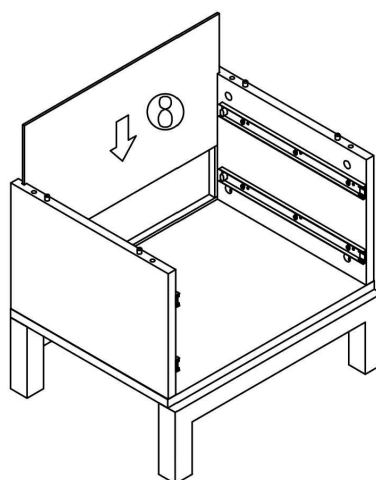
5



Ax4



6



BANAK

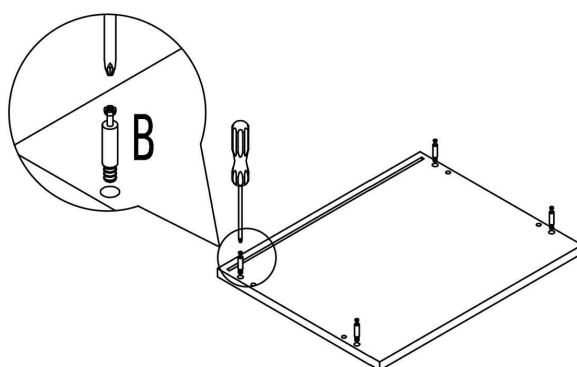
COIMBRA

CR-0100

7



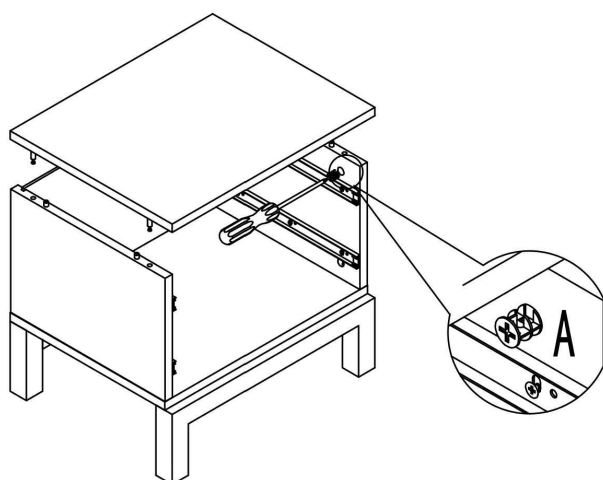
Bx4



8



Ax4

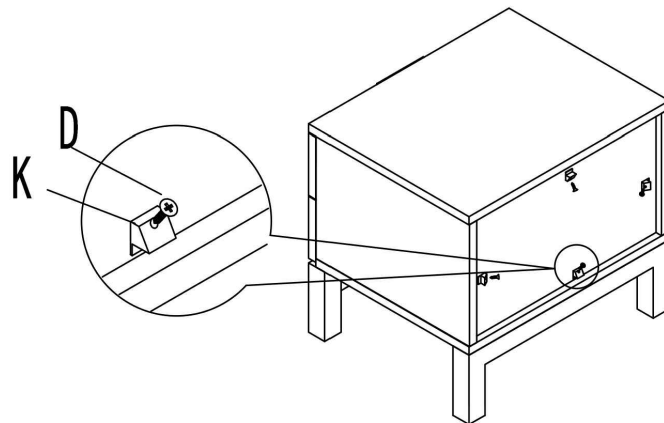


BANAK

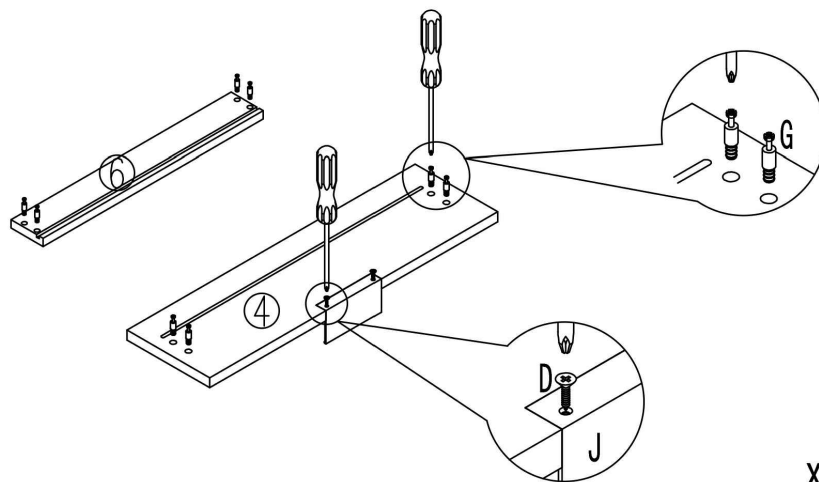
COIMBRA

CR-0100

9



10



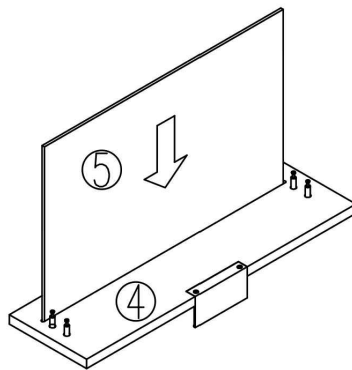
x2

BANAK

COIMBRA

CR-0100

11

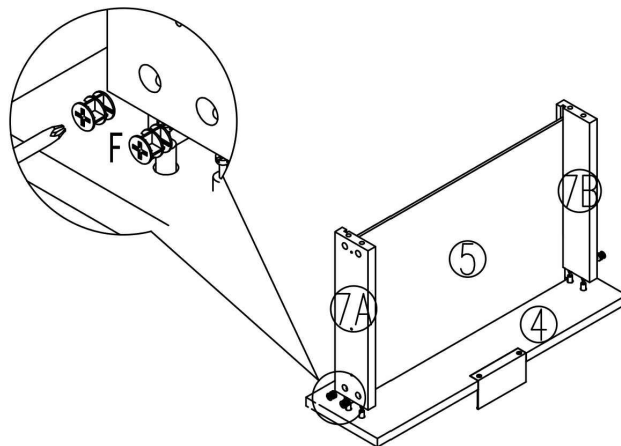


x2

12



Fx8



x2

BANAK

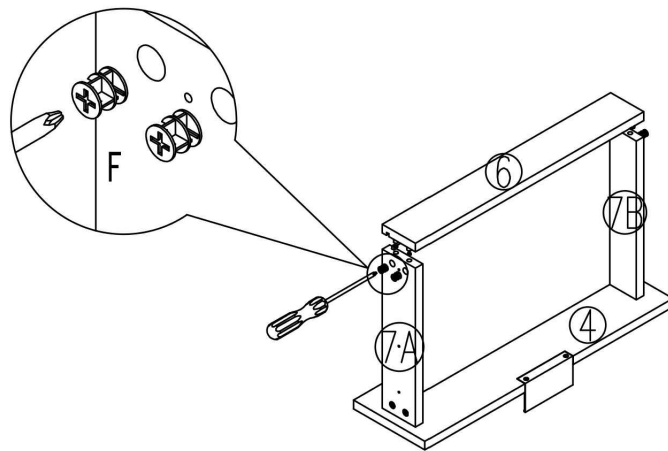
COIMBRA

CR-0100

13



Fx8



x2

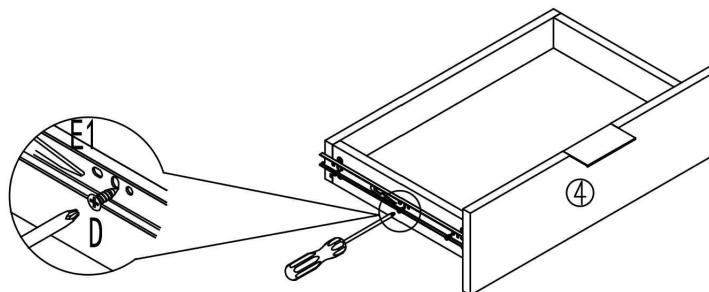
14



Dx12



E1x4



x2