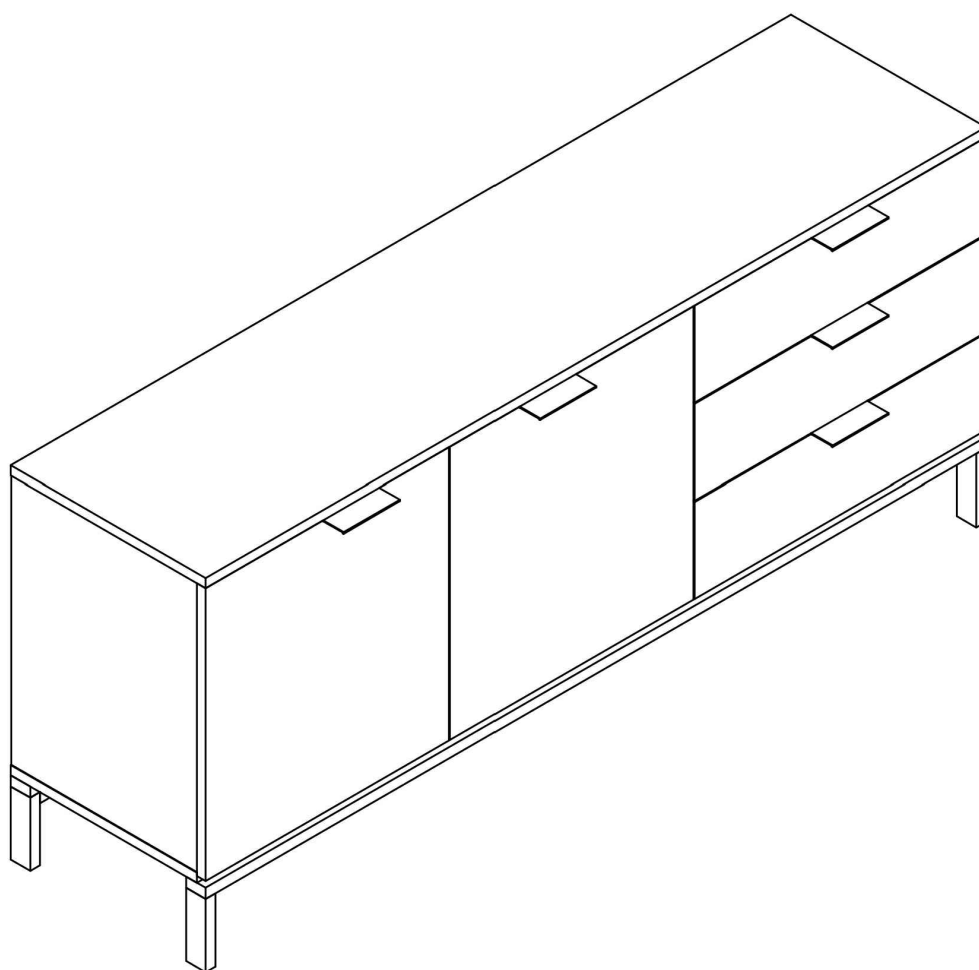


# BANAK

# COIMBRA

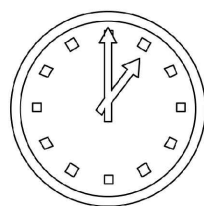
CR-0102



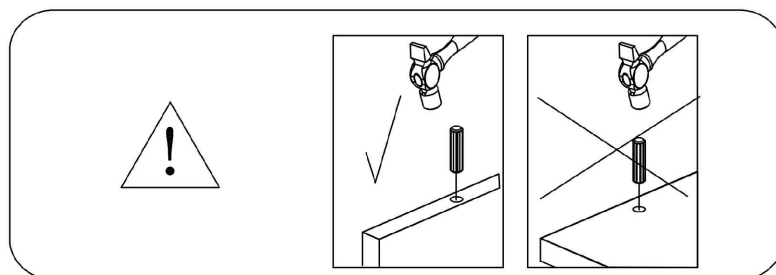
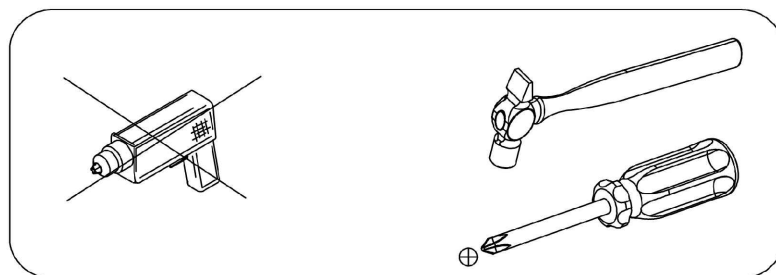
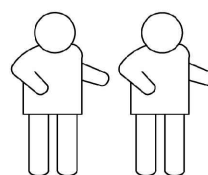
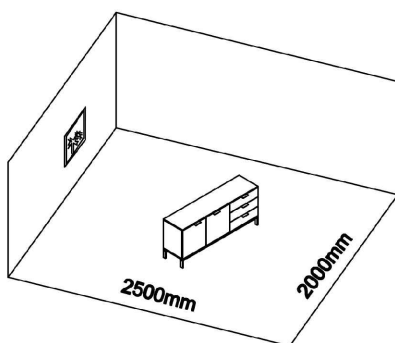
# BANAK

# COIMBRA

CR-0102



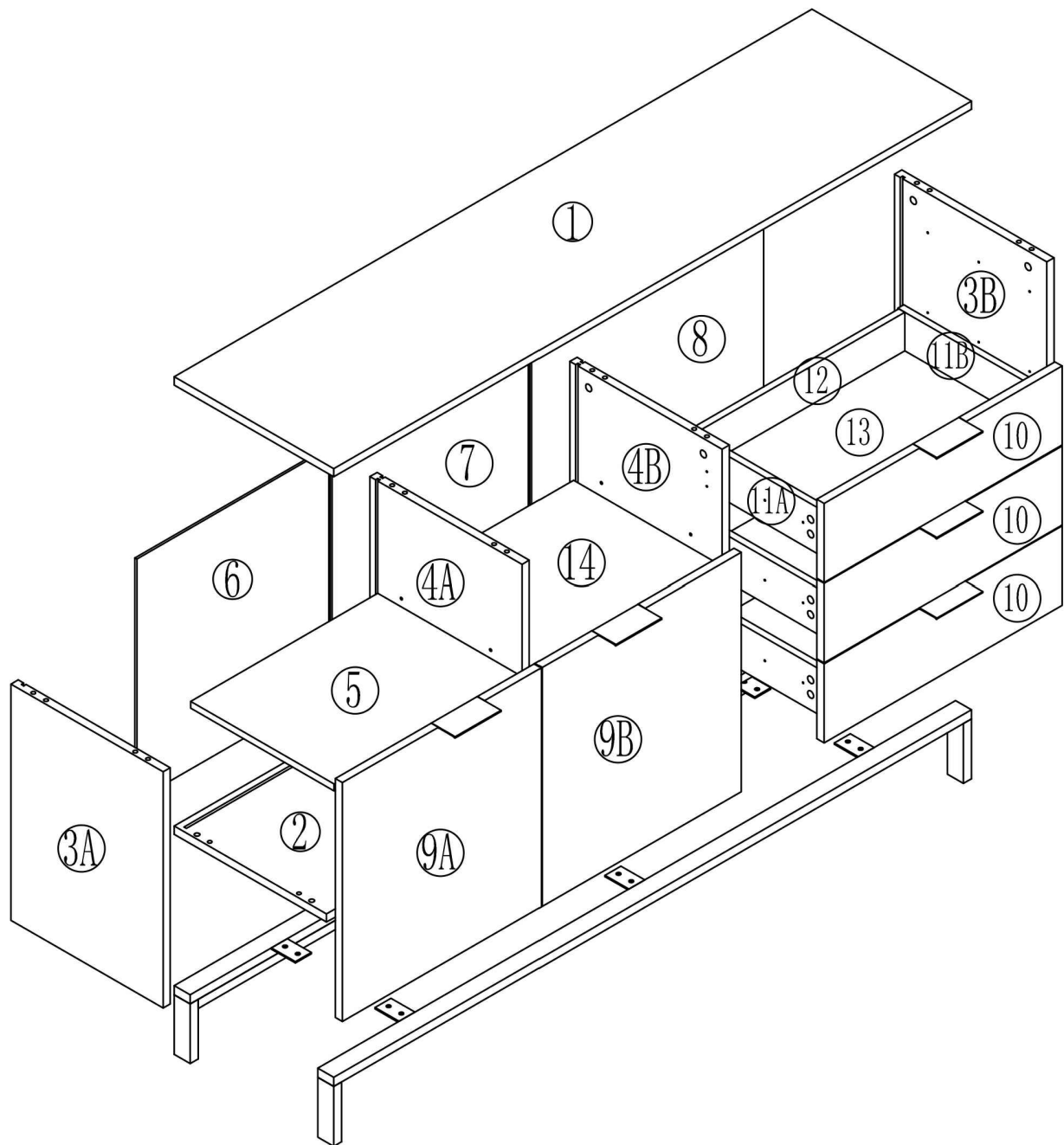
60 min



# BANAK

# COIMBRA

CR-0102



# BANAK

# COIMBRA














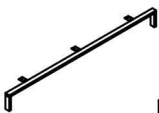

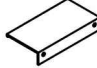
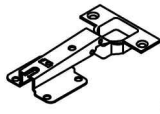





CR-0102

1	1	1600x400x18 MM
2	1	1600x382x18 MM
3A	1	514x382x18 MM
3B	1	514x382x18 MM
4A	1	514x382x18 MM
4B	1	514x382x18 MM
5	1	470x360x15 MM
6	1	482x524x5 MM
7	1	493x524x5 MM
8	1	581x524x5 MM
9A	1	520x498x18 MM
9B	1	520x498x18 MM
10	3	598x172x18 MM
11A	3	332x80x18 MM
11B	3	332x80x18 MM
12	3	550x80x18 MM
13	3	524x342x5 MM
14	1	480x360x15 MM

# BANAK

# COIMBRA

CR-0102

 φ 15x12 Ax16	 M6x35 Bx16	 φ 8x40 Cx16	 φ16xM6x1.5 Dx12
 M6 Ex12	 M6x20 Fx12	 350MM Gx6	 Hx8
 M6x24 Ix24	 φ12x12 Jx24	 M3. 5x15 Kx82	 Lx12
 Mx2	 Nx2	 Ox1	 Px5
 Qx2	 Rx4	 Sx4	 M4x37 Tx4
 M4x17 Ux4	 Vx2		

# BANAK

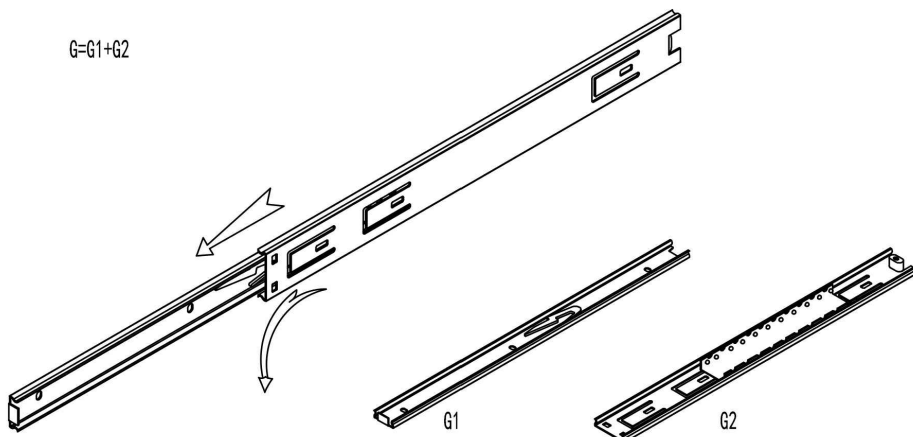
# COIMBRA

CR-0102

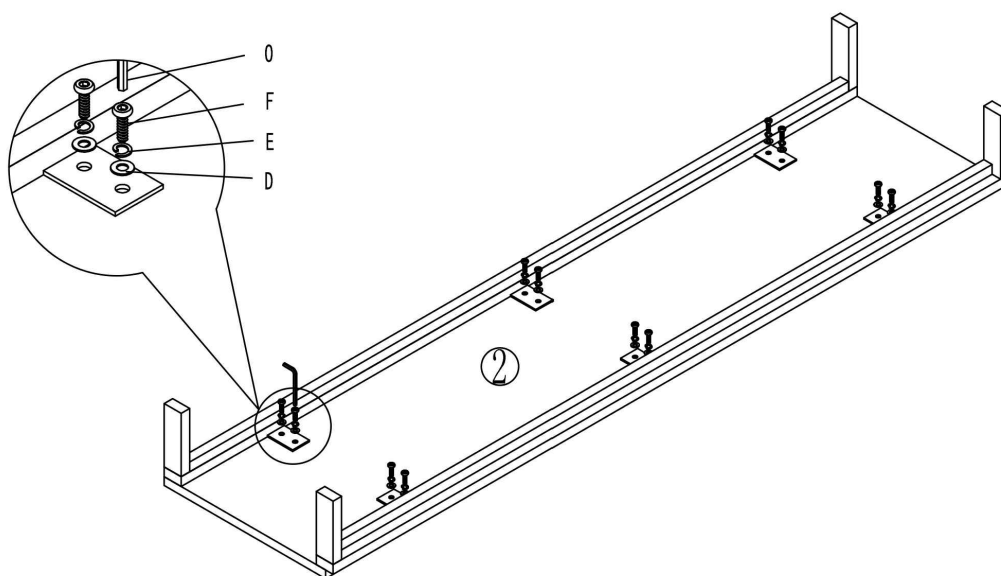
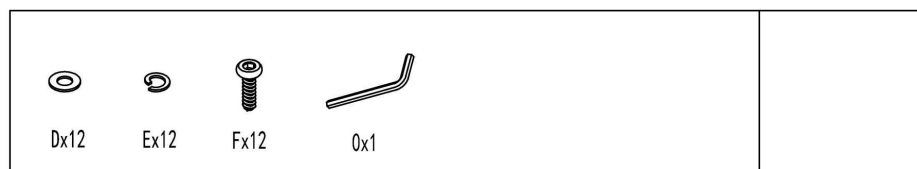
# 1



$G=G1+G2$



# 2

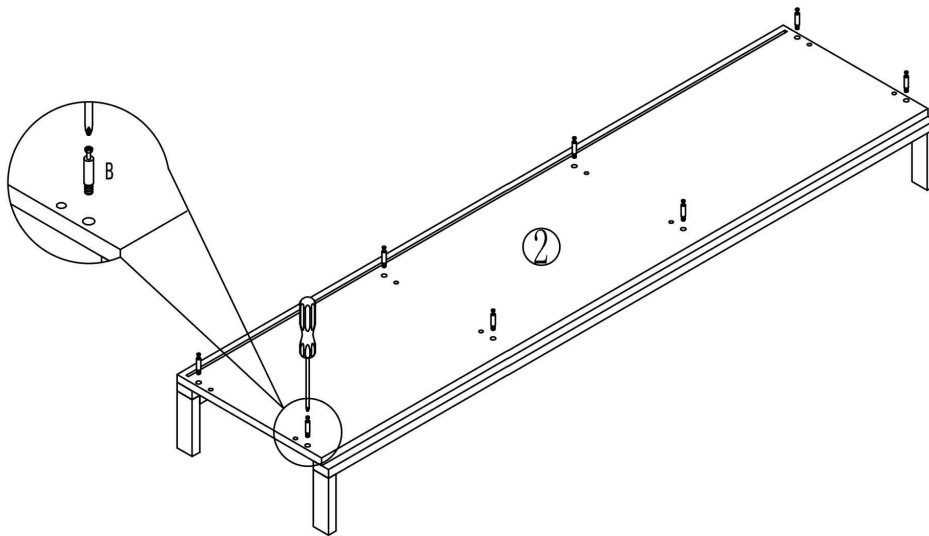
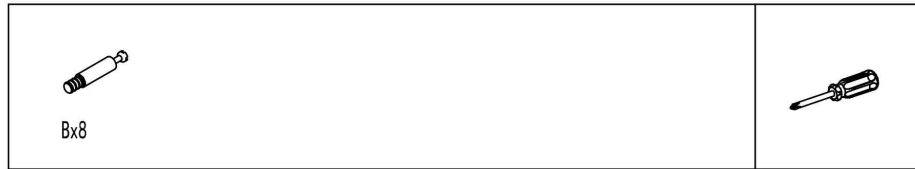


# BANAK

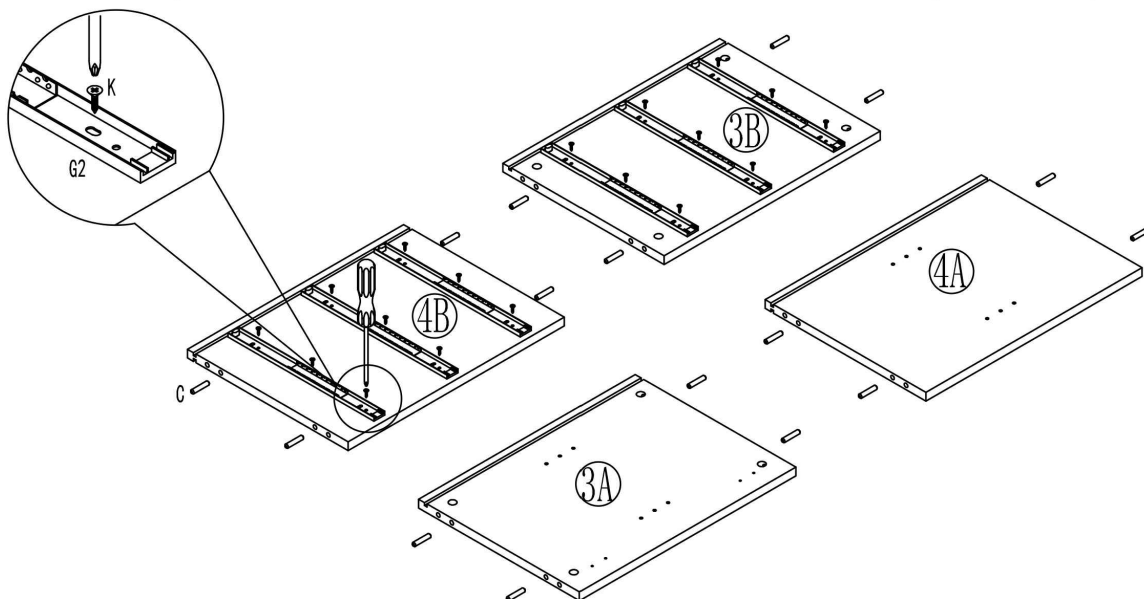
# COIMBRA

CR-0102

## 3



## 4

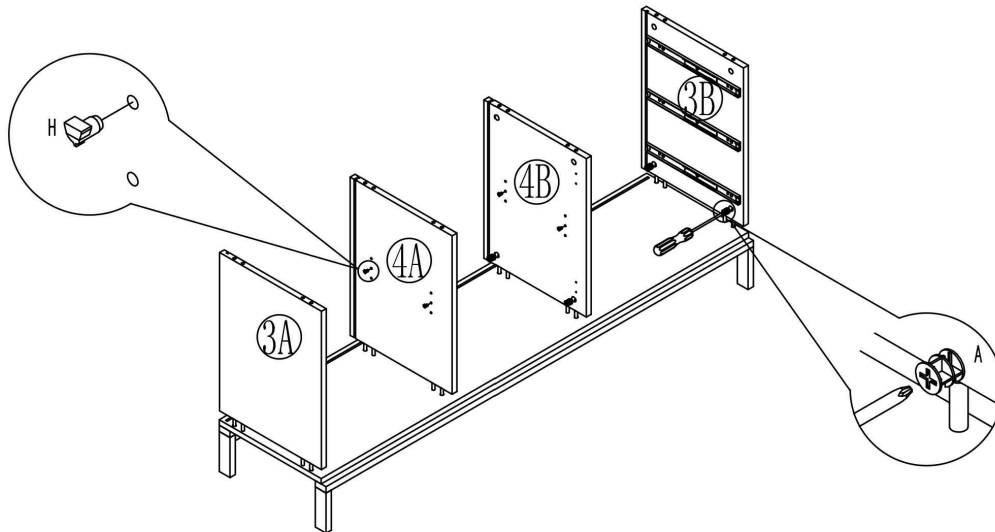


# BANAK

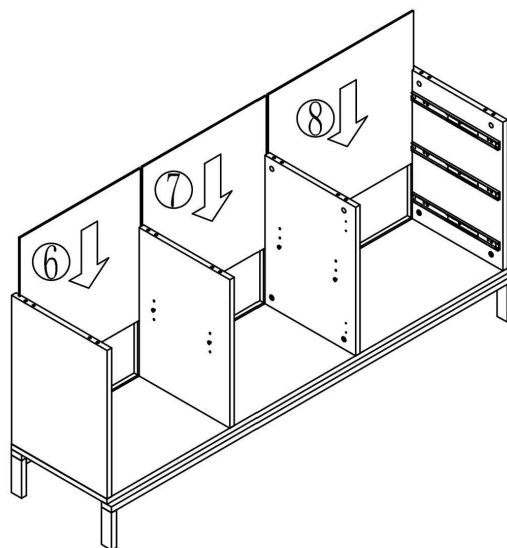
# COIMBRA

CR-0102

## 5



## 6



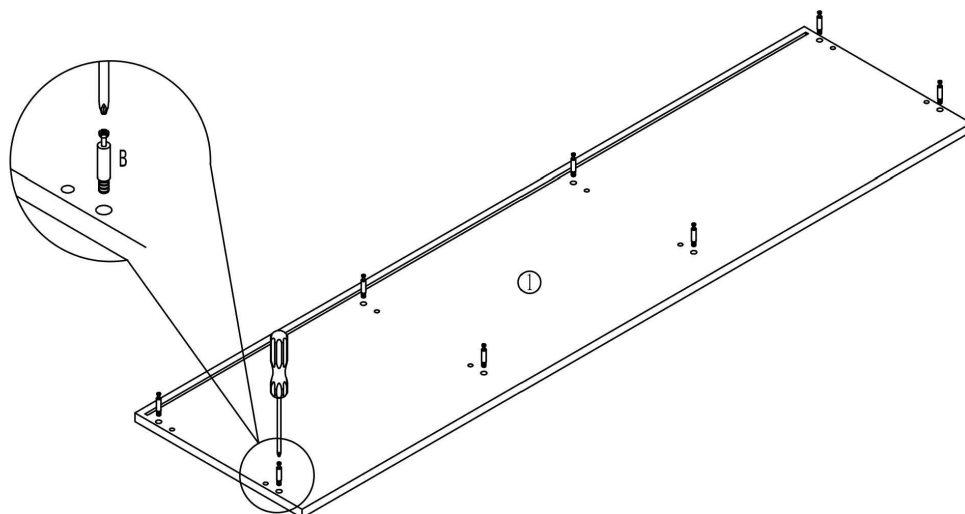
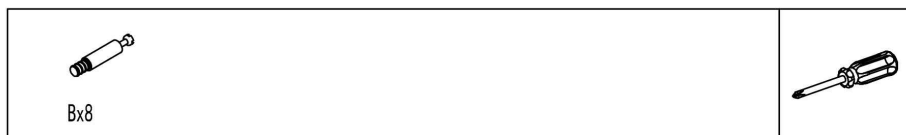


# BANAK

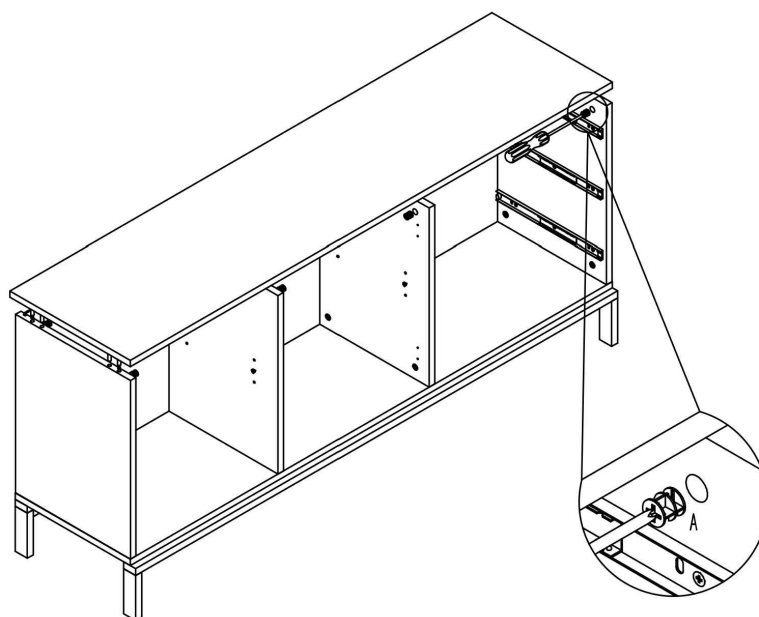
# COIMBRA

CR-0102

# 7



# 8

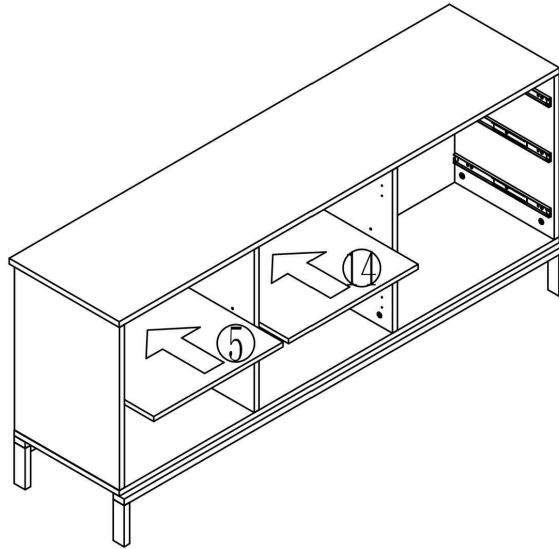


# BANAK

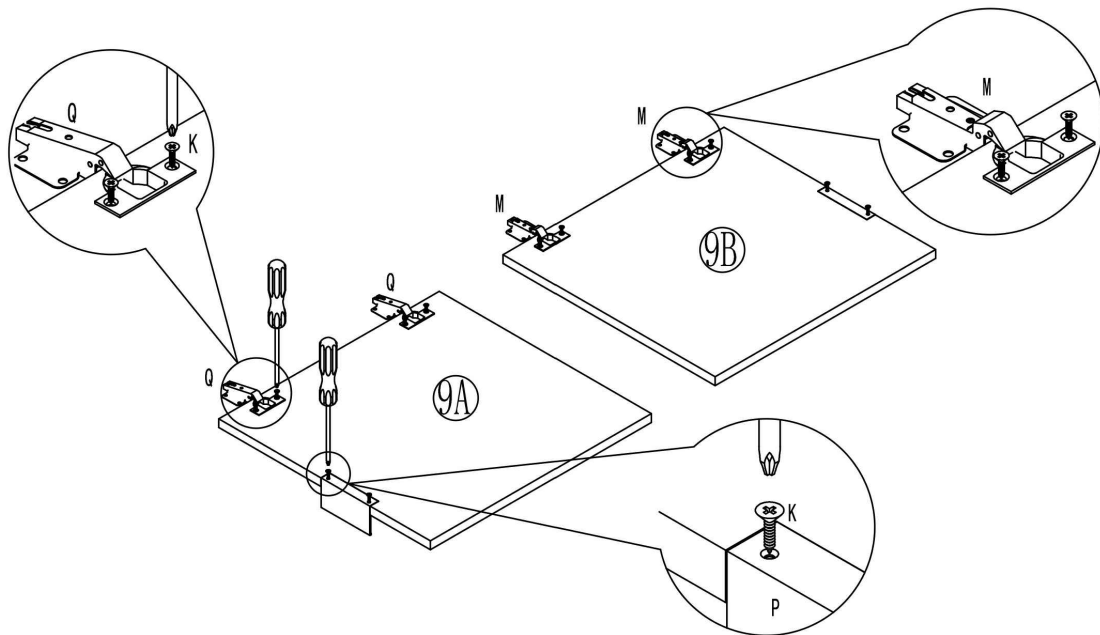
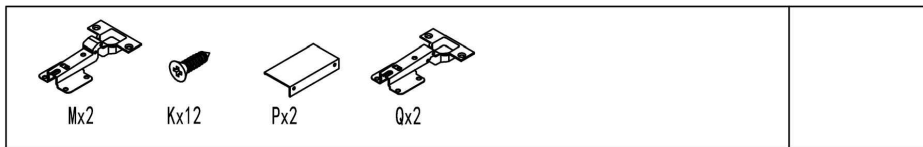
# COIMBRA

CR-0102

9



10



# BANAK

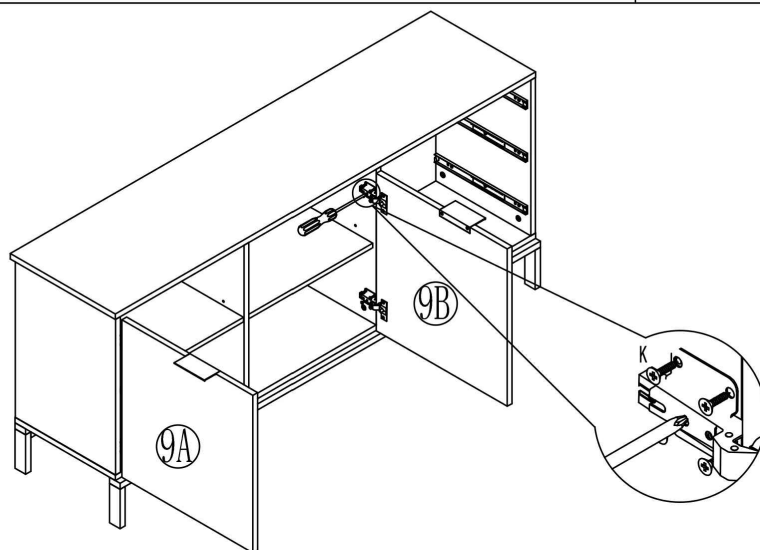
# COIMBRA

CR-0102

11



Kx16



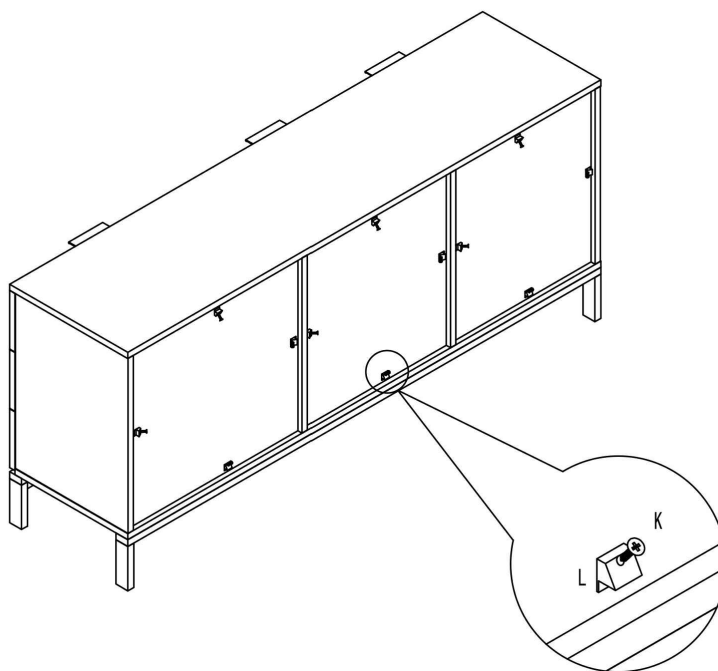
12



Kx12



Lx12

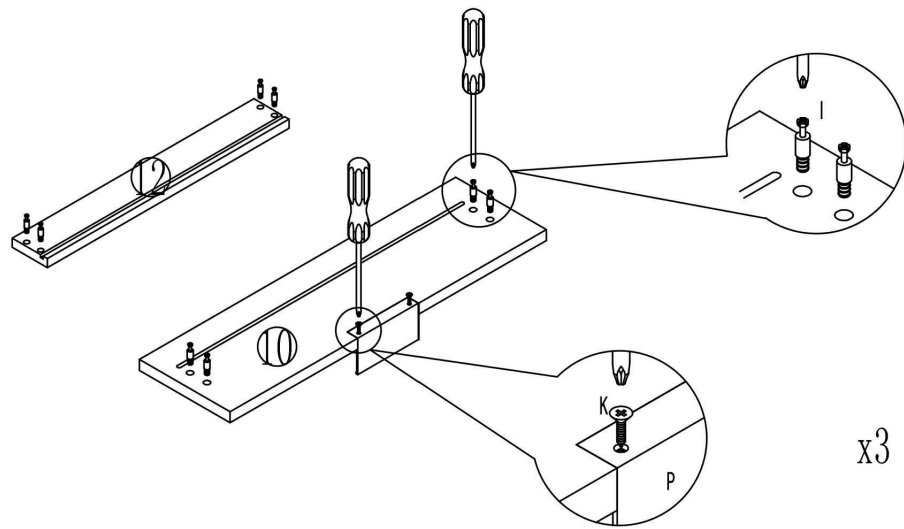


# BANAK

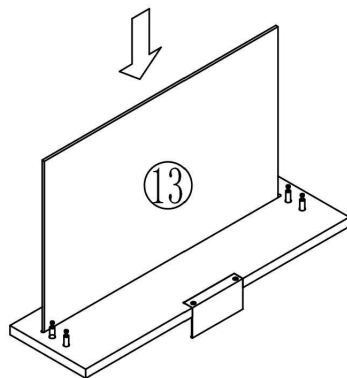
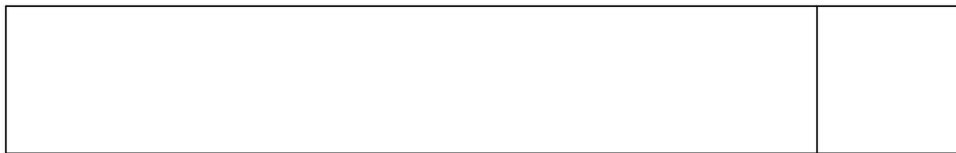
# COIMBRA

CR-0102

13



14



x3

# BANAK

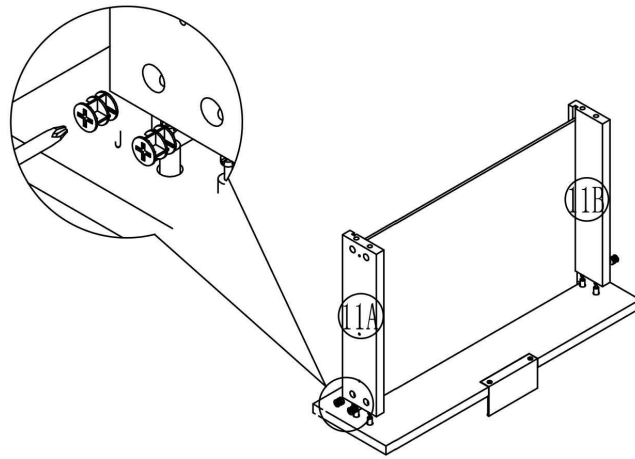
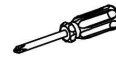
# COIMBRA

CR-0102

## 15



Jx12

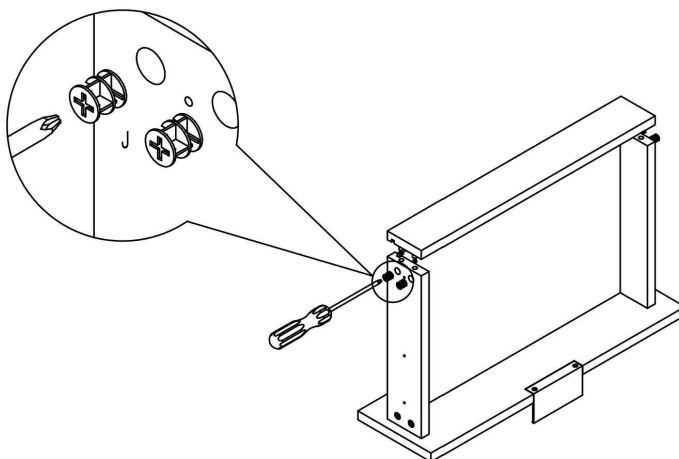


x3

## 16



Jx12



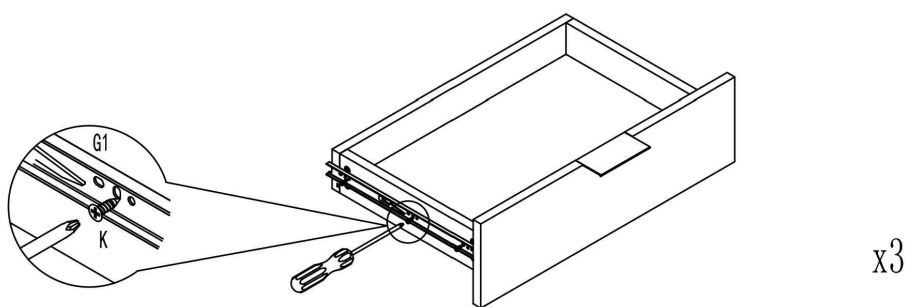
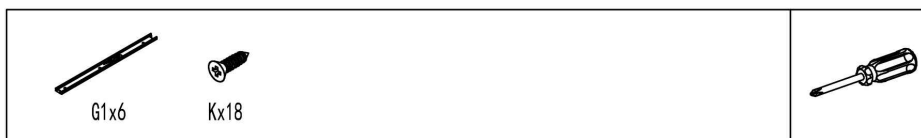
x3

# BANAK

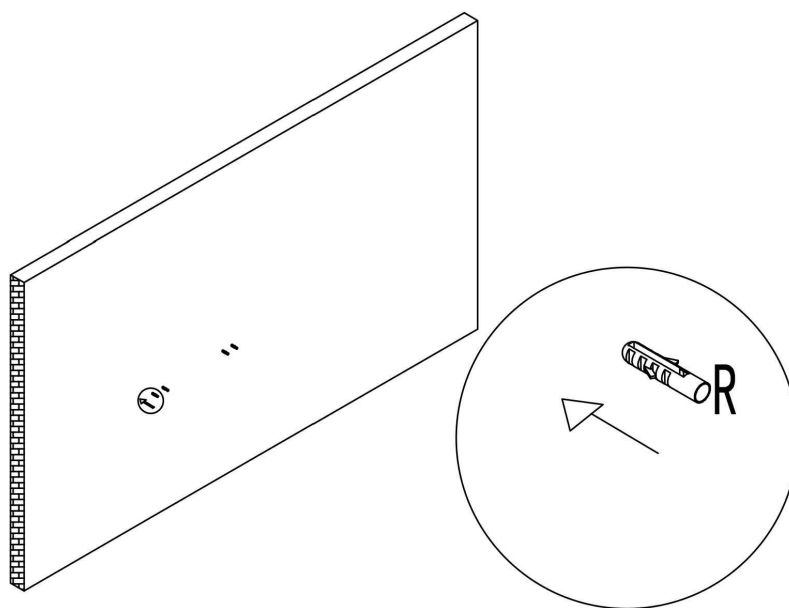
# COIMBRA

CR-0102

17



18

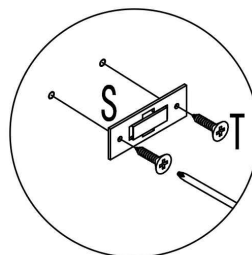
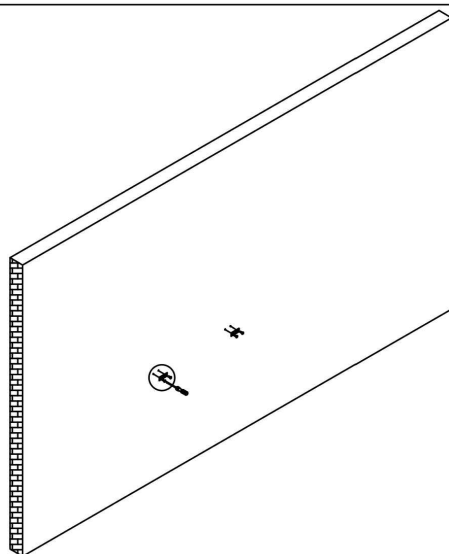
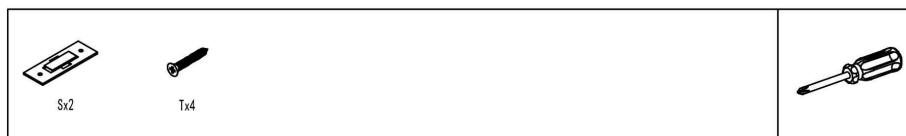


# BANAK

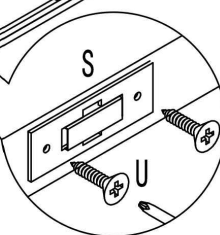
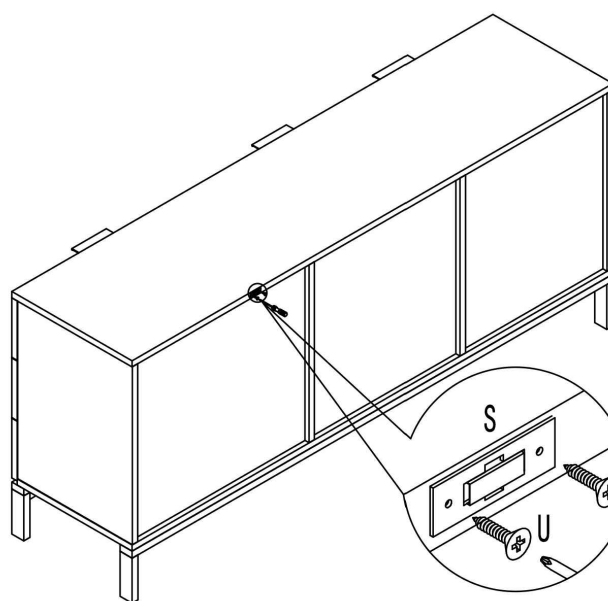
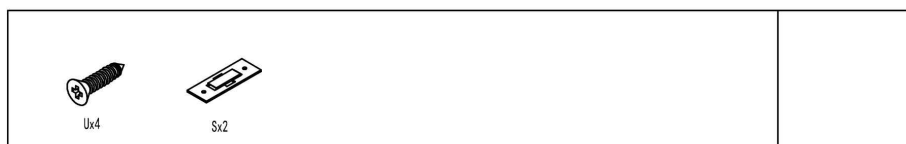
# COIMBRA

CR-0102

19



20

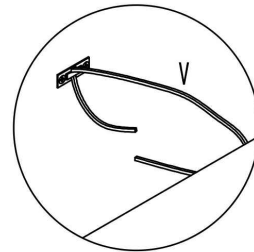
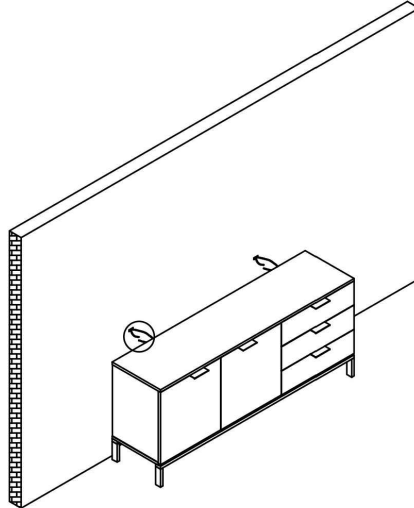
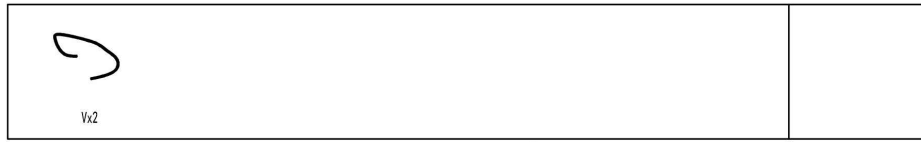


# BANAK

# COIMBRA

CR-0102

21



22

