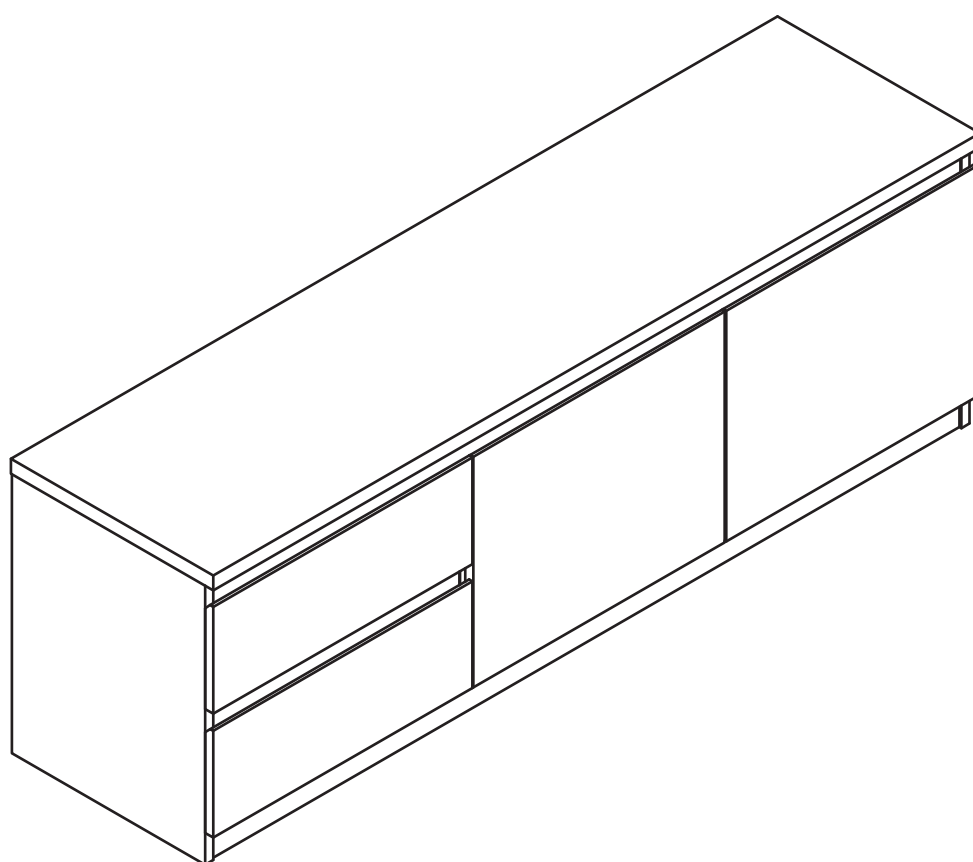


# BANAK

# ELLINOR

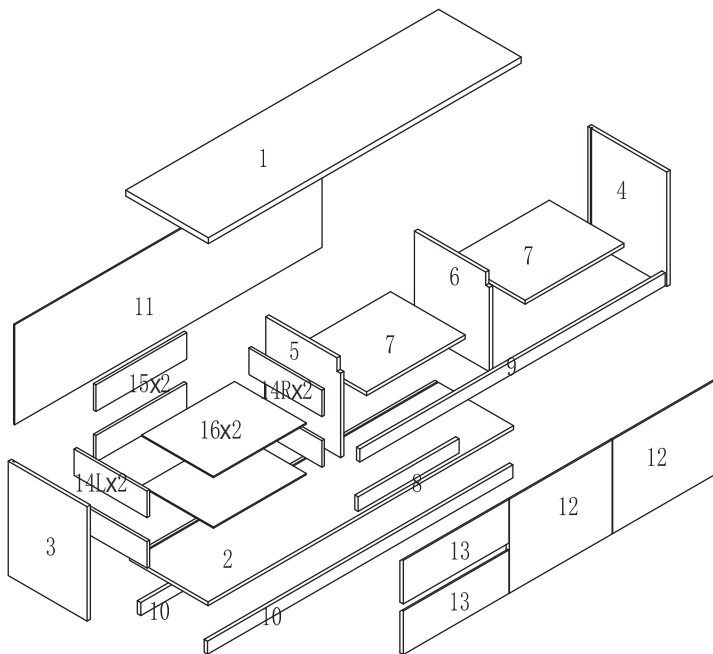
EN-0103BE-R









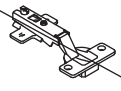
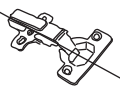
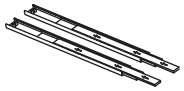

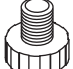


# BANAK

# ELLINOR

EN-0103BE-R



1	1500x396x25	x1
2	1464x377x16	x1
3	475x378x16	x1
4	475x378x16	x1
5	405x359x16	x1
6	405x359x16	x1
7	473x358x16	x2
8	484x60x16	x1
9	1464x54x16	x1
10	1464x54x16	x2
11	1474x415x5	x1
12	492x391x16	x2
13	507x181x16	x2
14	350x110x12	x4
15	435x110x12	x2
16	445x344x5	x2

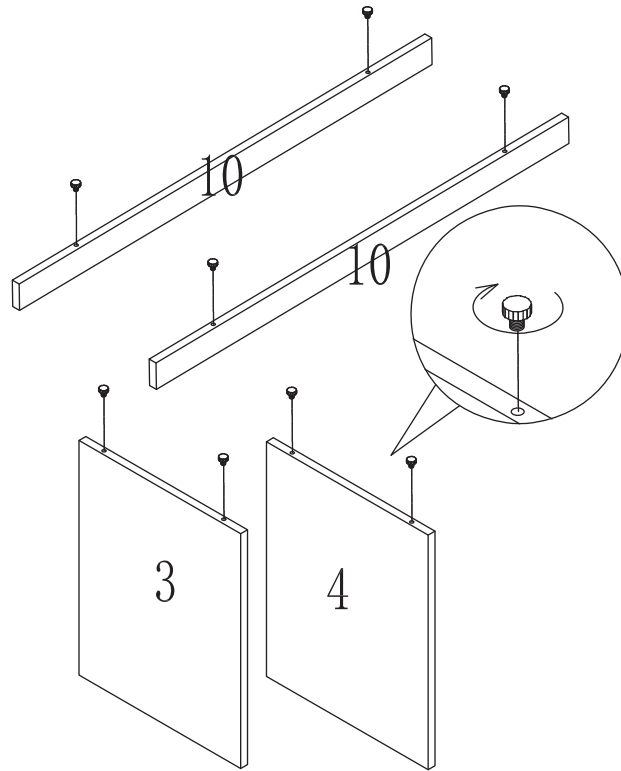
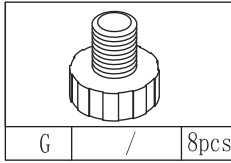
		
A M6x40 36pcs	B $\phi$ 15x13.5 36pcs	C $\phi$ 8x30 22pcs
		
D $\phi$ 12x10mm 8set	E M4x14 24pcs	F M4x30 8pcs
		
M / 2pcs	I / 2pcs	K 12" 2set
		
N / 8pcs	G / 8pcs	Z $\phi$ 20 36pcs
		
H / 8pcs		

# BANAK

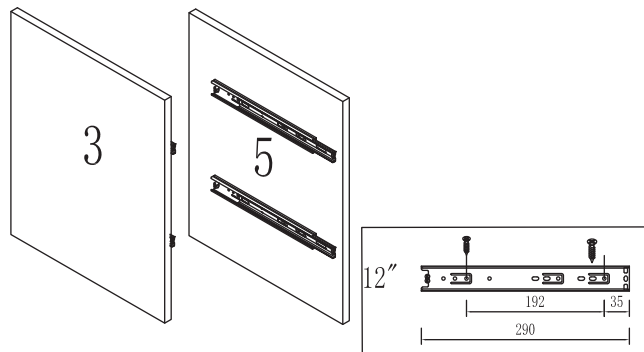
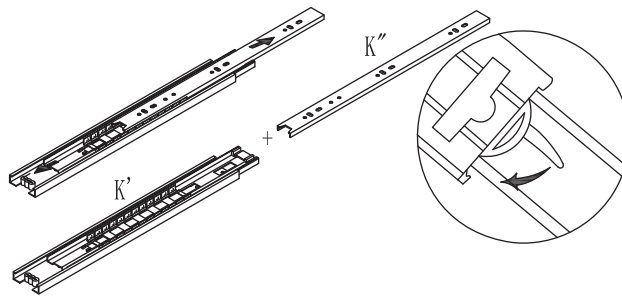
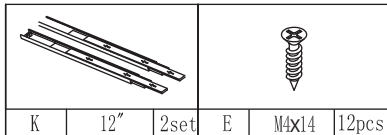
# ELLINOR

EN-0103BE-R

1



2






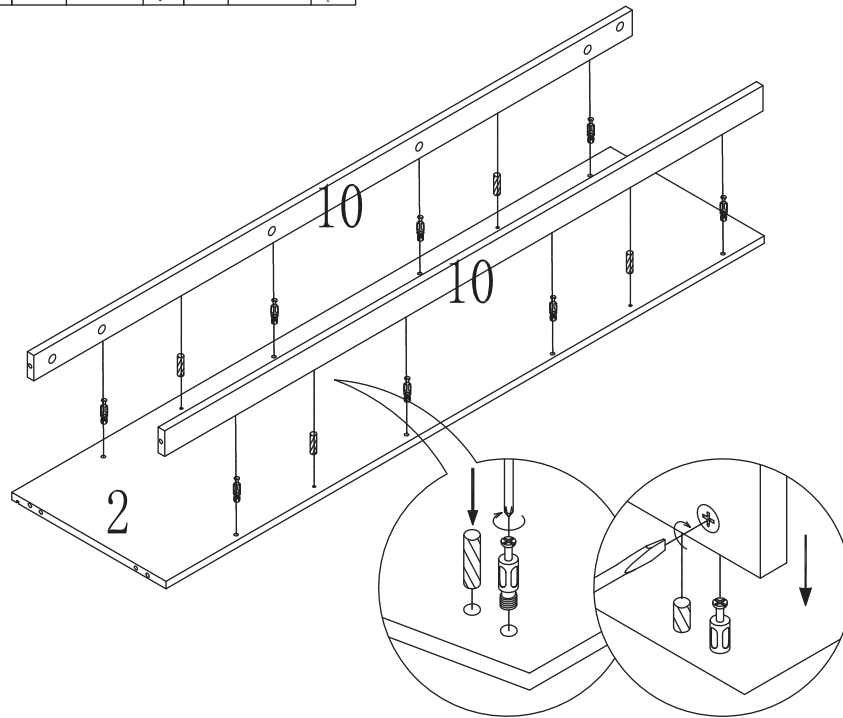
# BANAK

# ELLINOR




EN-0103BE-R

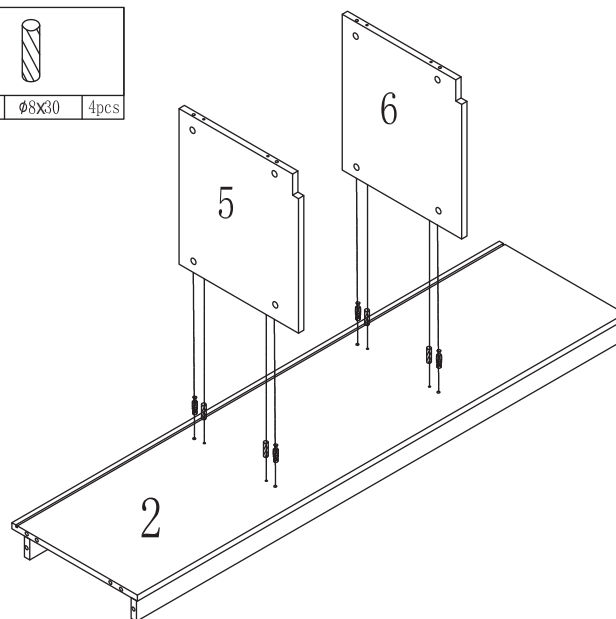
3

		
A	M6x40	8pcs
B	Ø15x13.5	8pcs
C	Ø8x30	4pcs



4

		
A	M6x40	4pcs
B	Ø15x13.5	4pcs
C	Ø8x30	4pcs






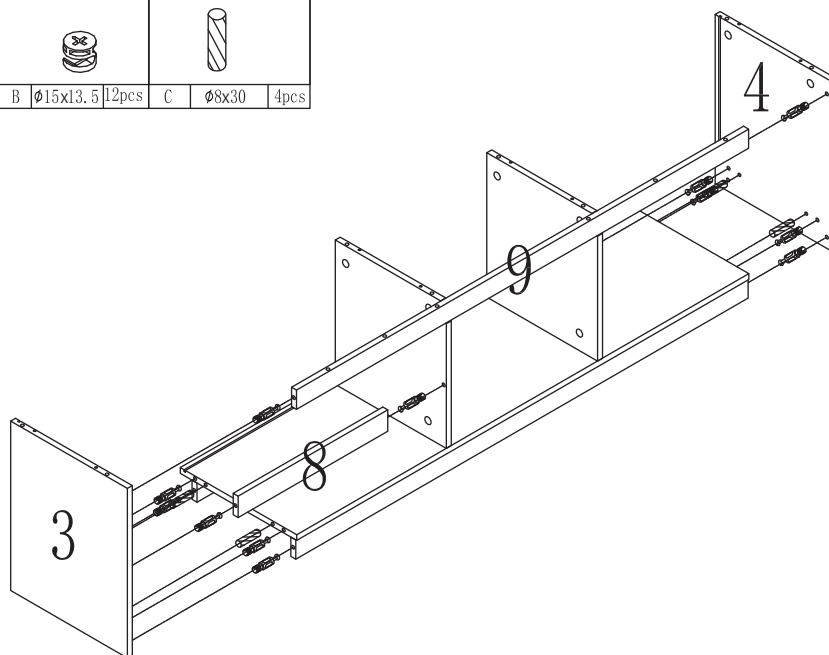
# BANAK

# ELLINOR




EN-0103BE-R

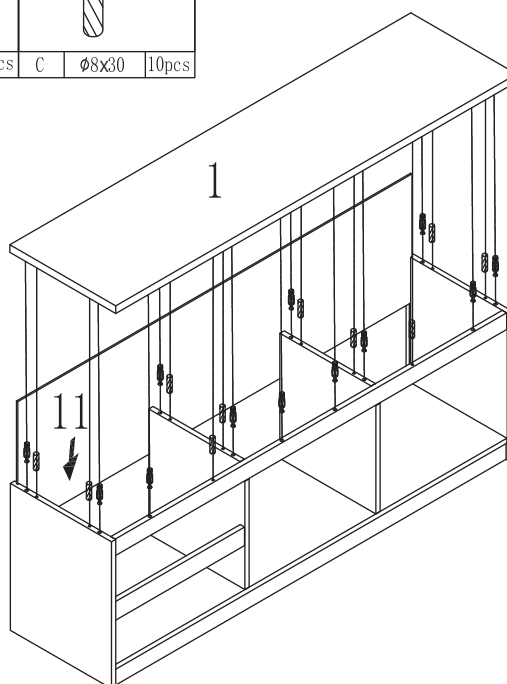
5

		
A	M6x40	12pcs
B	Ø15x13.5	12pcs
C	Ø8x30	4pcs



6

		
A	M6x40	12pcs
B	Ø15x13.5	12pcs
C	Ø8x30	10pcs

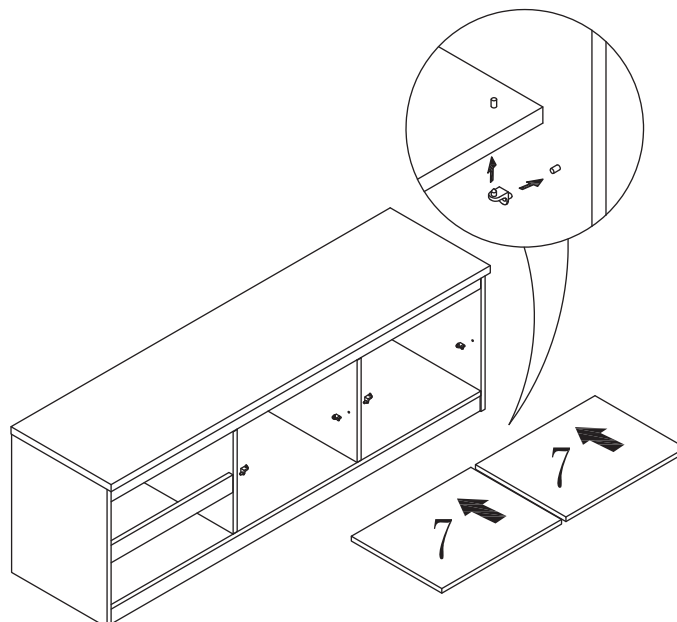
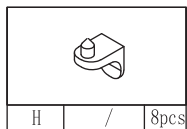


# BANAK

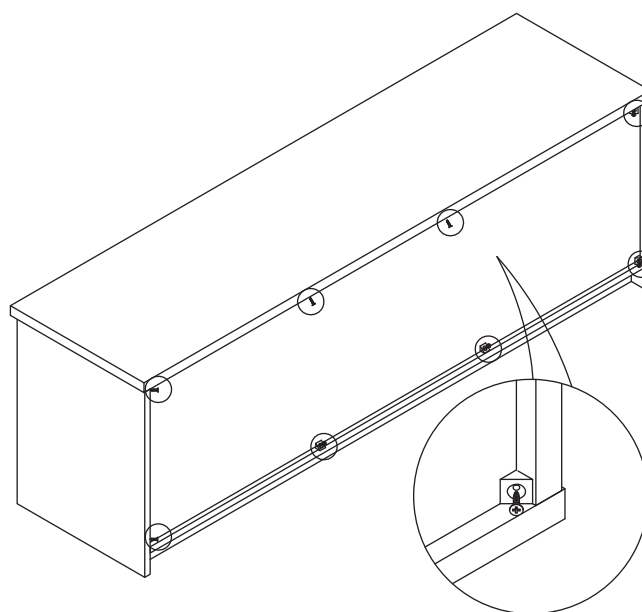
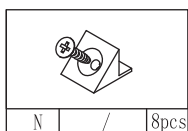
# ELLINOR

EN-0103BE-R

7



8

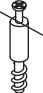




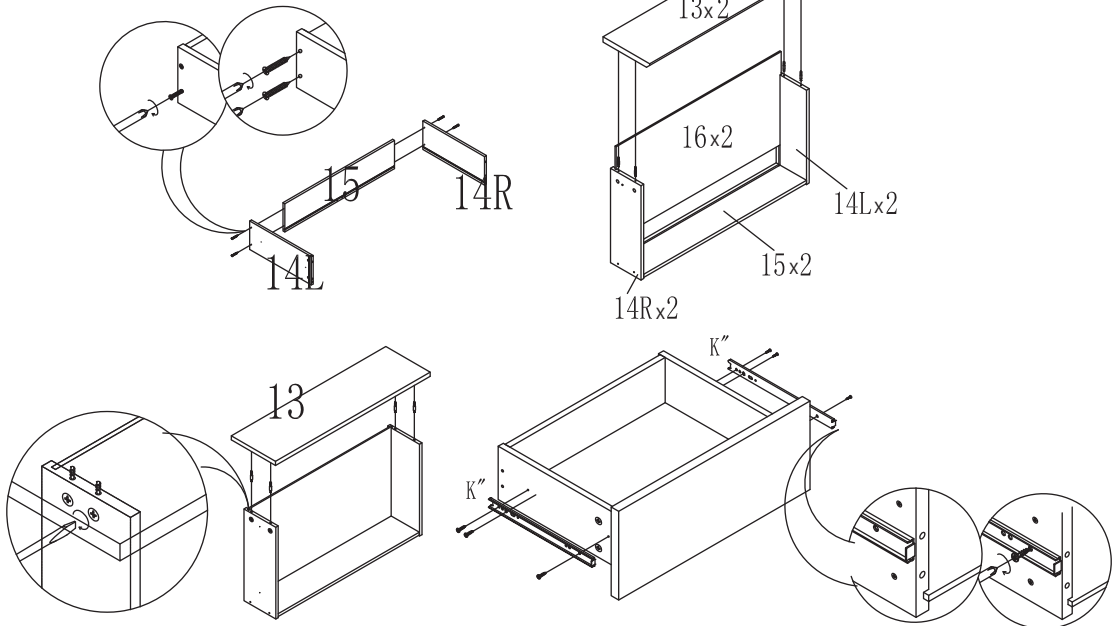
# BANAK

# ELLINOR

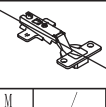
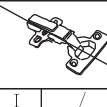
EN-0103BE-R

9

			black
D	E	F	
∅12 10mm 8set	M4x14 12pcs	M4x30 8pcs	



10

	
M	I
2pcs	2pcs

