

# BANAK

# MARGOT

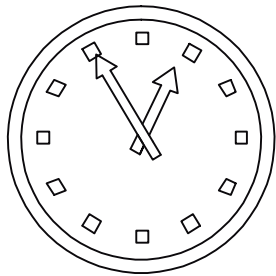
GT-0100BC



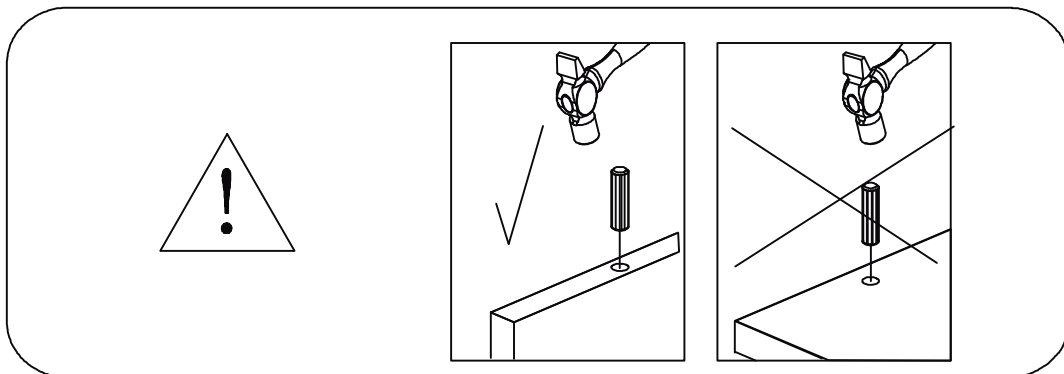
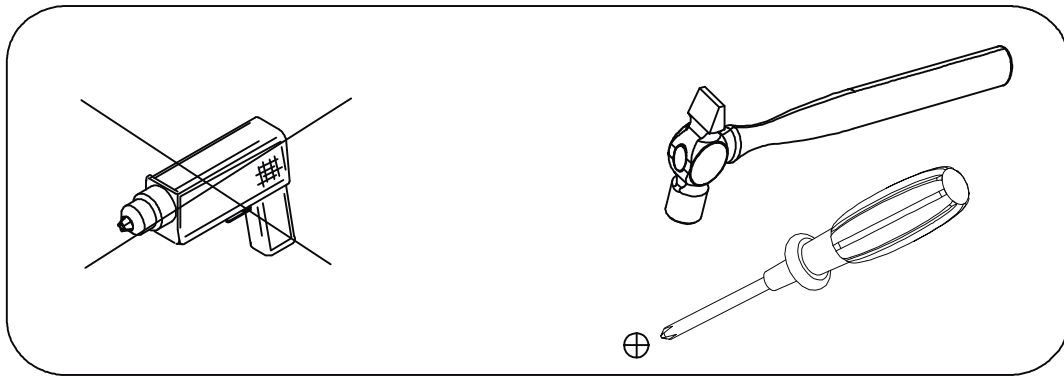
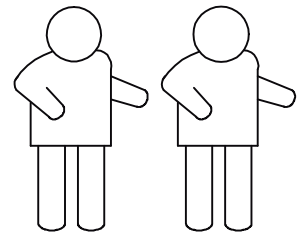
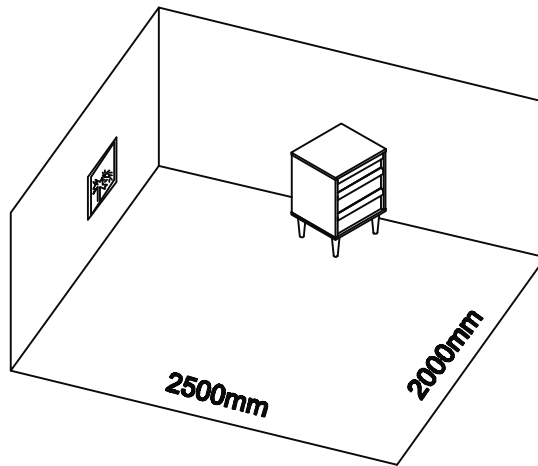
# BANAK

# MARGOT

GT-0100BC



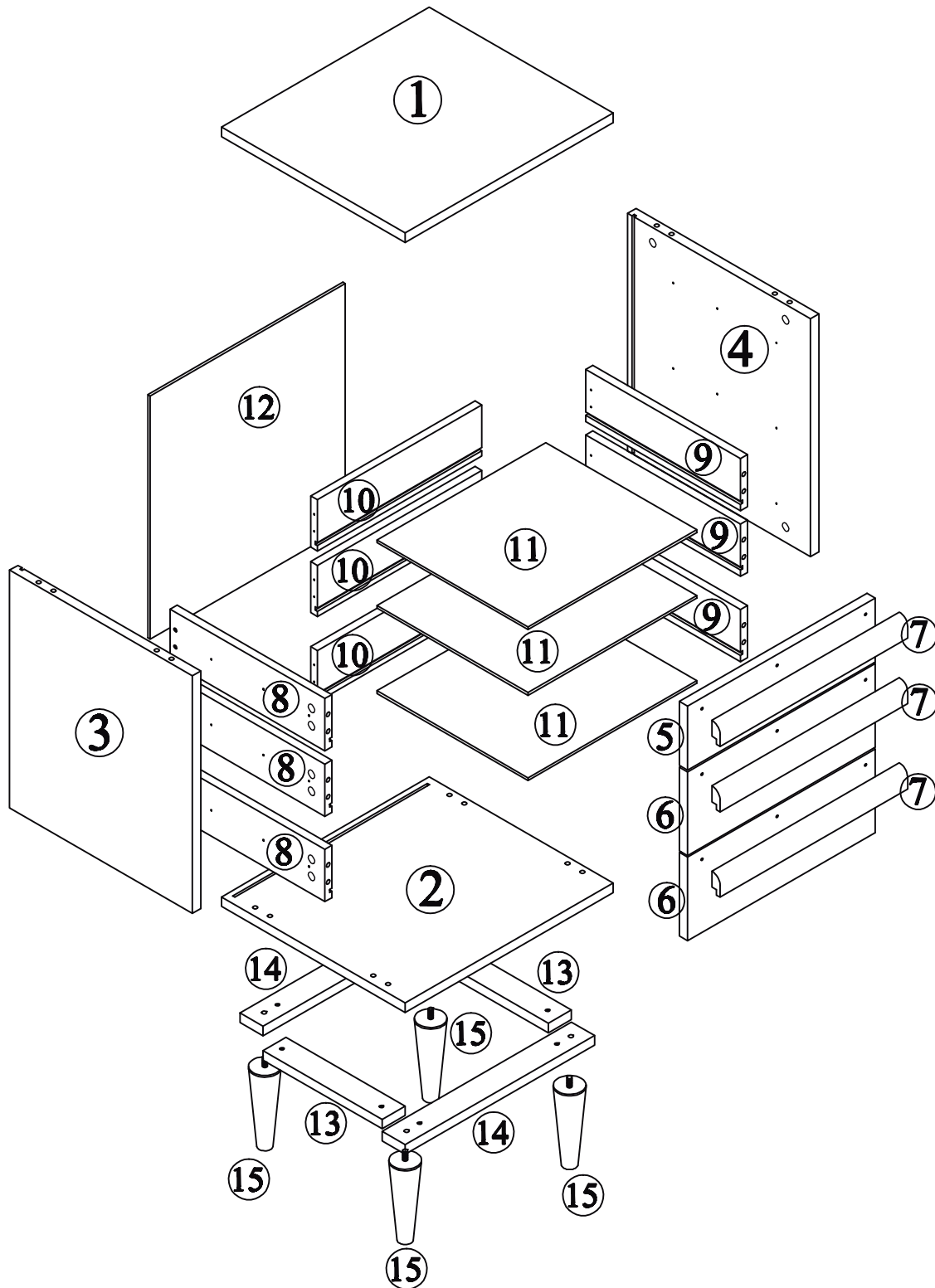
55min



# BANAK

# MARGOT

GT-0100BC

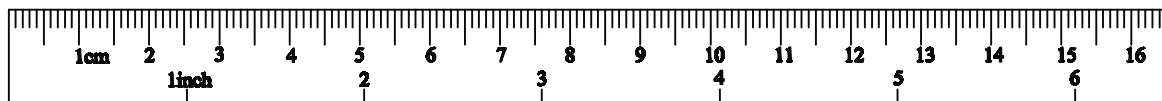














# BANAK

# MARGOT

GT-0100BC

		GT-0100BC
1	1	450 X 398 X 18 MM
2	1	450 X 398 X 18 MM
3	1	396 X 446 X 18 MM
4	1	396 X 446 X 18 MM
5	1	406 X 120 X 18 MM
6	2	406 X 157 X 18 MM
7	3	406 X 40 X 18MM
8	3	335 X 98 X 15 MM
9	3	335 X 98 X 15 MM
10	3	356 X 96 X 15 MM
11	3	365 X 328 X 5MM
12	1	421 X 455 X 5MM
13	2	250 X 53 X 18 MM
14	2	409 X 53 X 18 MM
15	4	Ø50 X 150MM



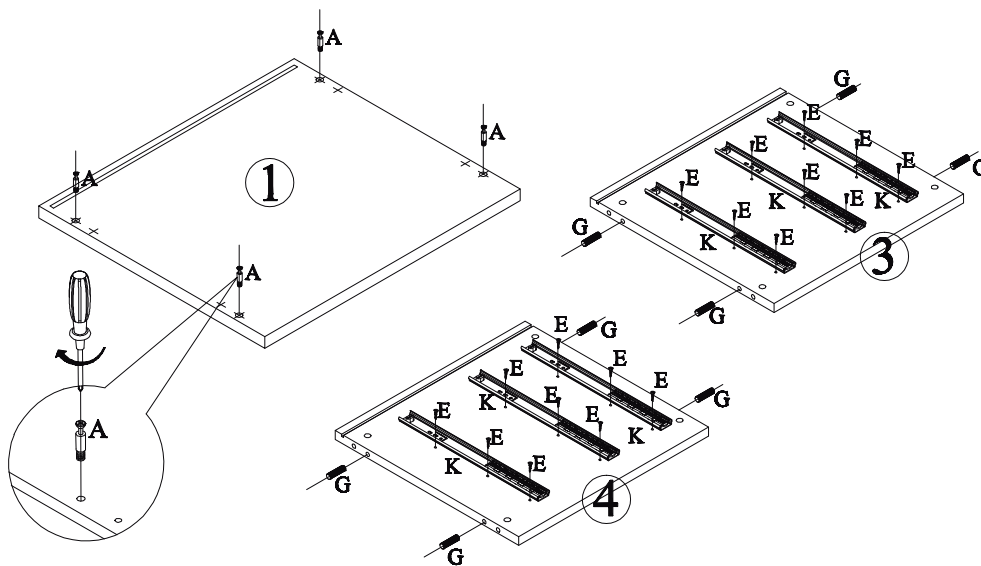
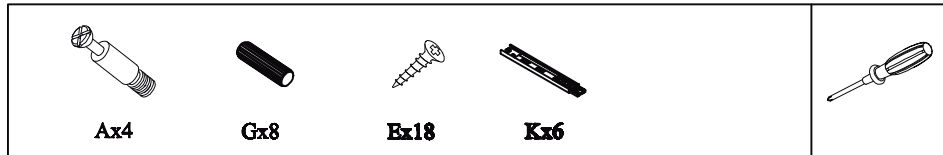
 L=35 Ax20	 Ø15 Bx20	 Cx4	 Ø3x18 Dx4	 Ø3.5x12 Ex36	 Ø3.5x30 Fx12
 Ø6x30 Gx8	 M4x30 Hx9	 Ø4x30 Ix10	 Ø20x5 Jx4	 L=300 Kx6	 L=300 Lx6

# BANAK

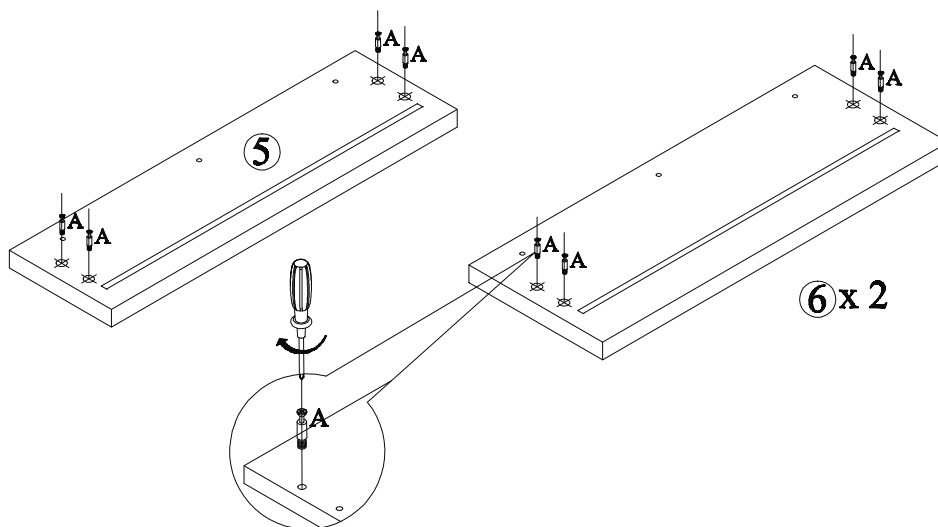
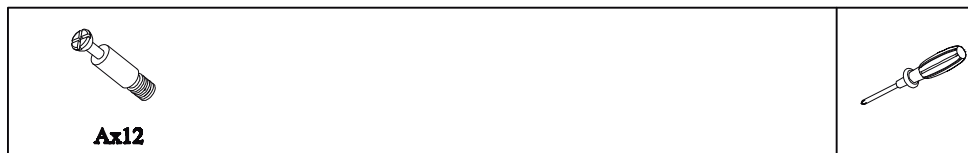
# MARGOT

GT-0100BC

1



2

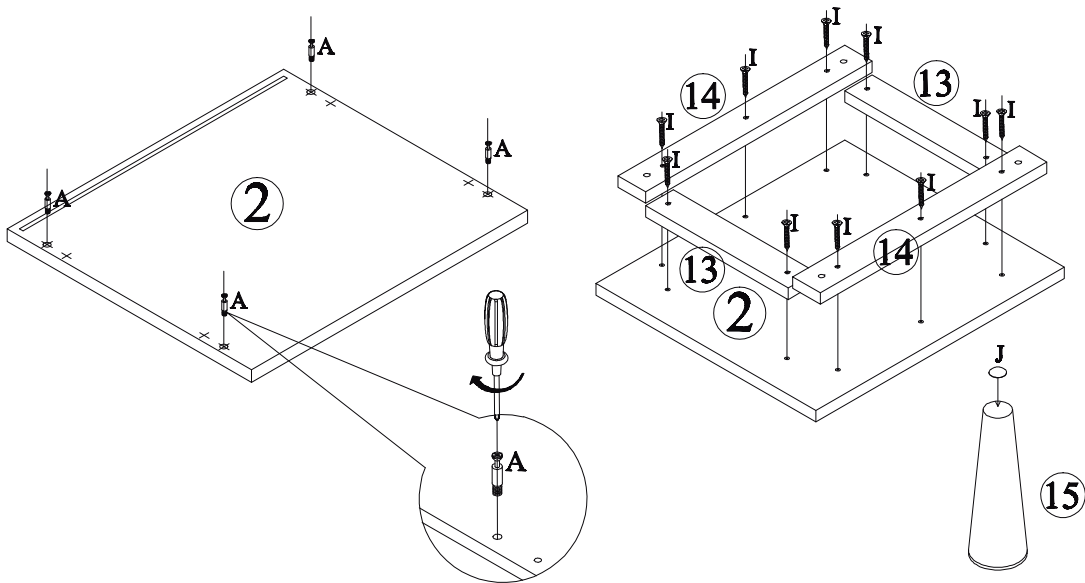


# BANAK

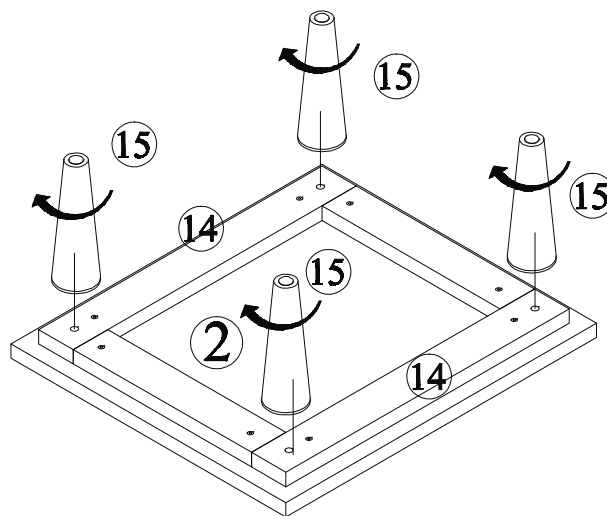
# MARGOT

GT-0100BC

3



4



# BANAK

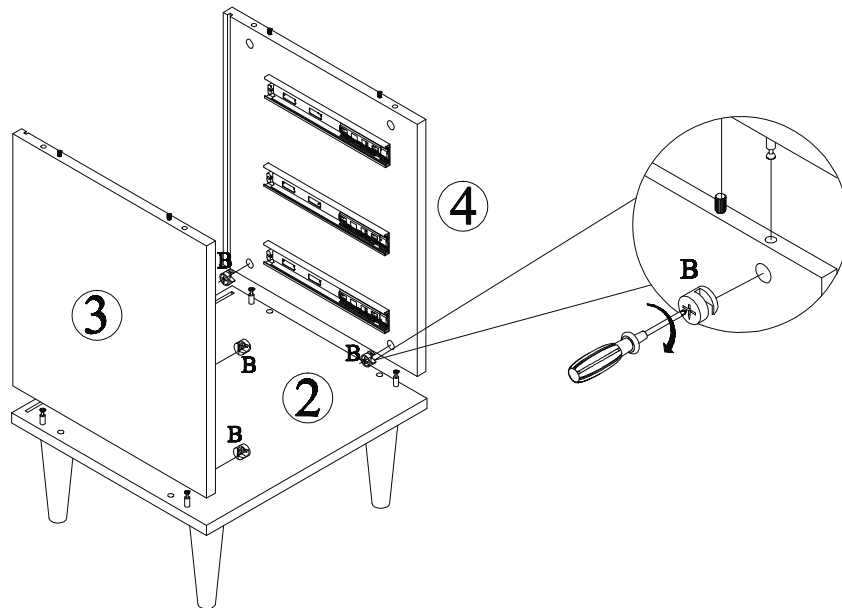
# MARGOT

GT-0100BC

5



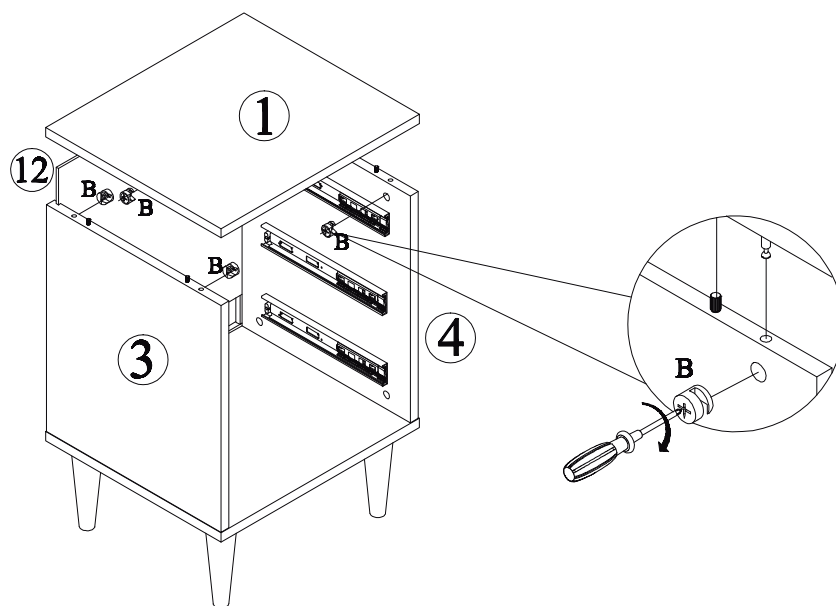
Bx4



6



Bx4



# BANAK

# MARGOT

GT-0100BC

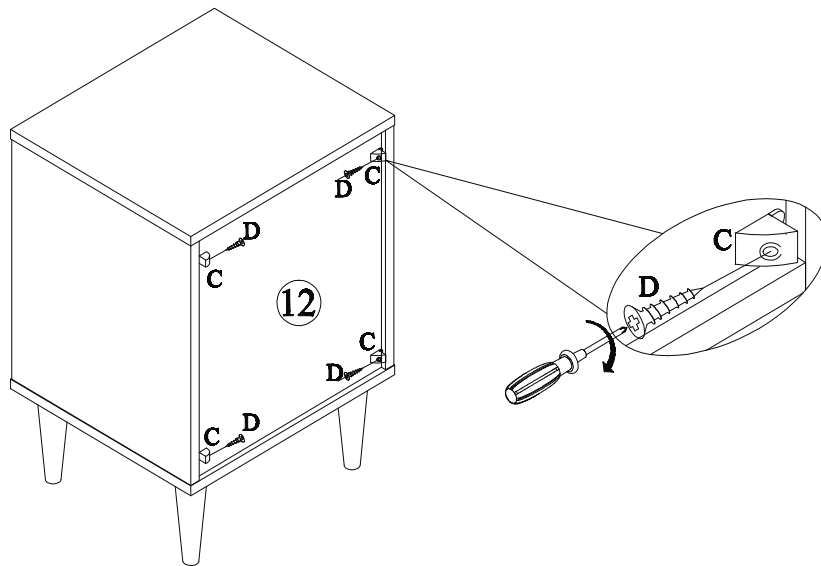
7



Cx4



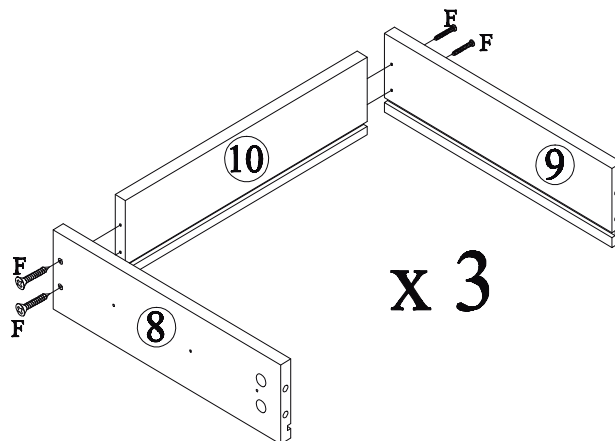
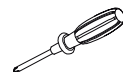
Dx4



8



Fx12





# BANAK

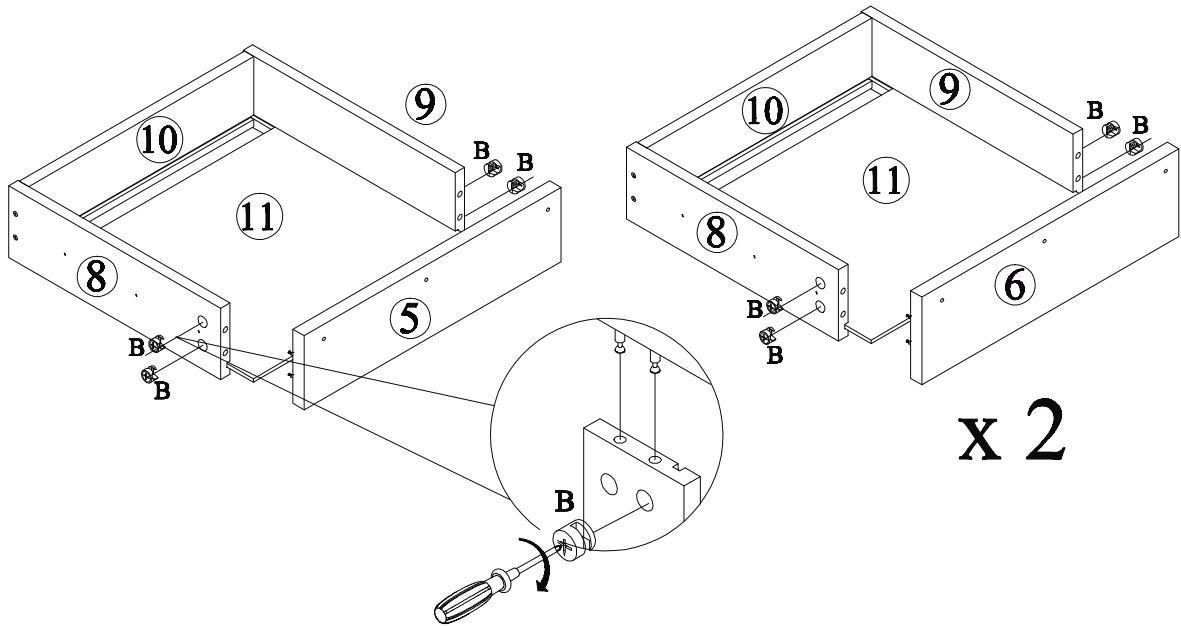
# MARGOT

GT-0100BC

9



Bx12



10



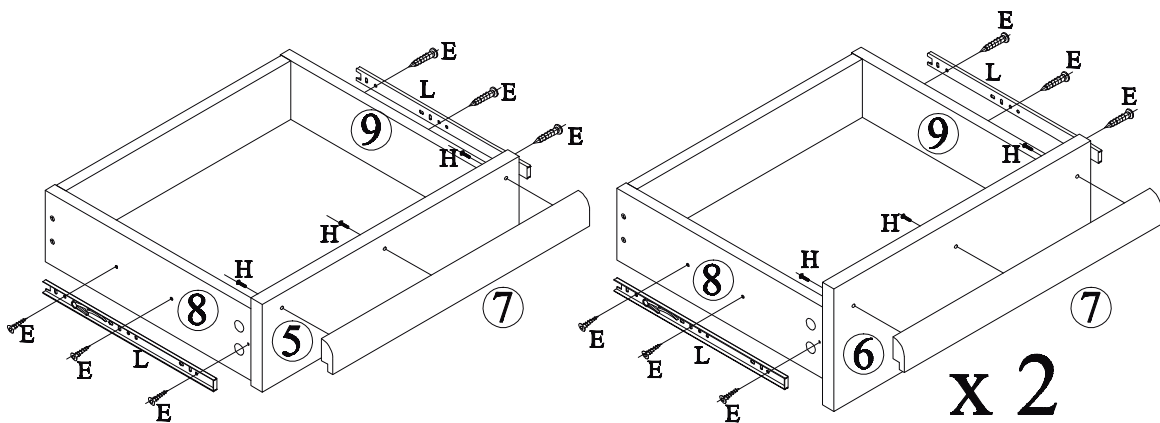
E x 18



H x 9



L x 6



# BANAK

# MARGOT

GT-0100BC

11

