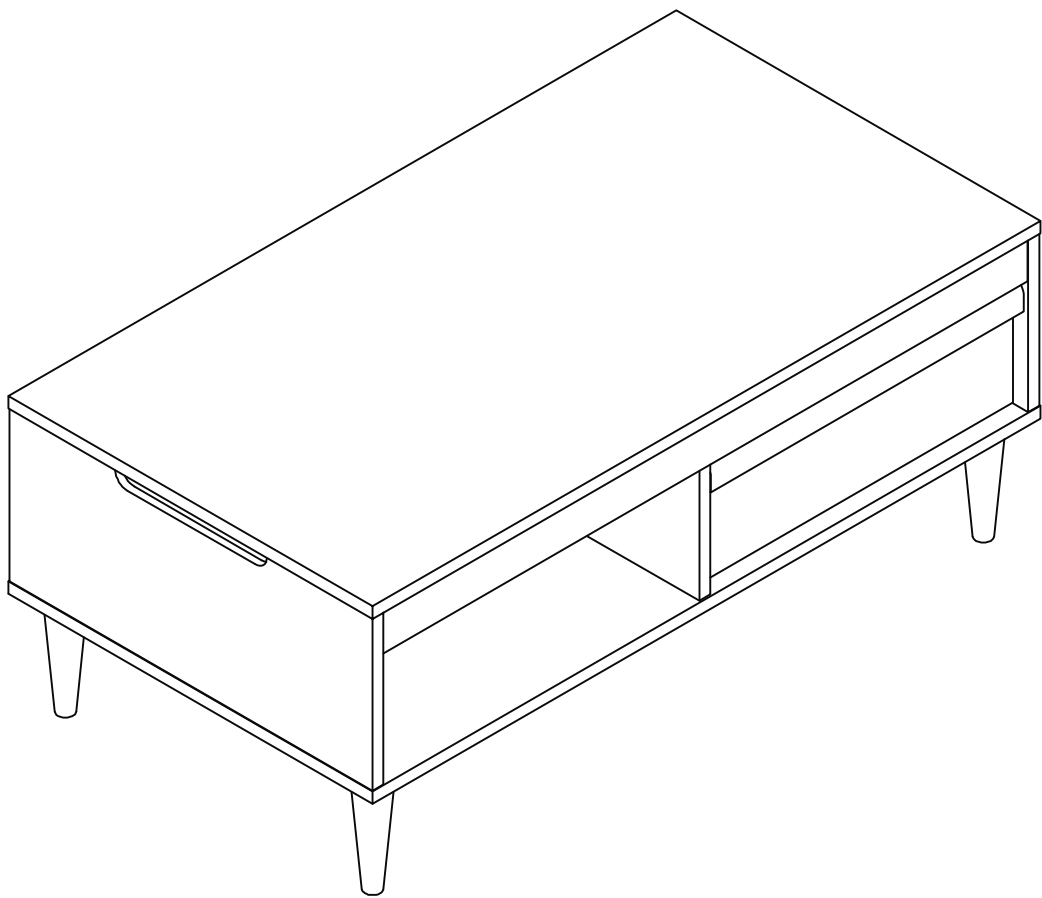


BANAK

MARGOT

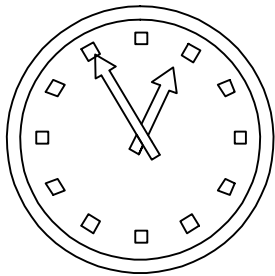
GT-0105BC



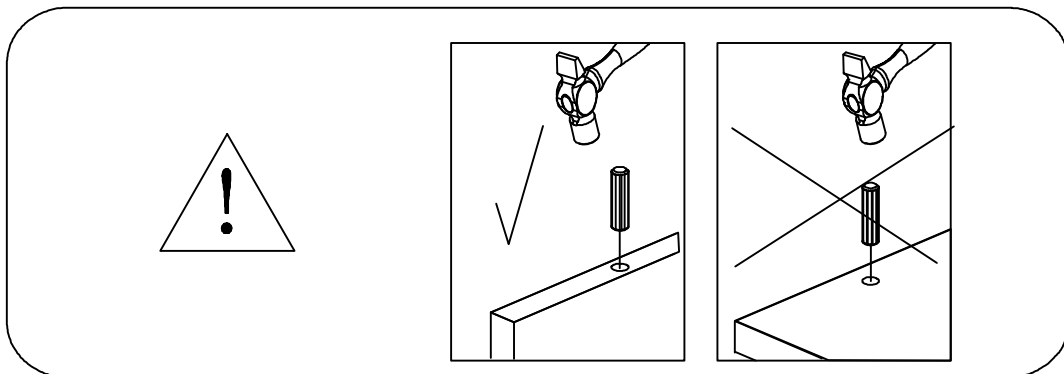
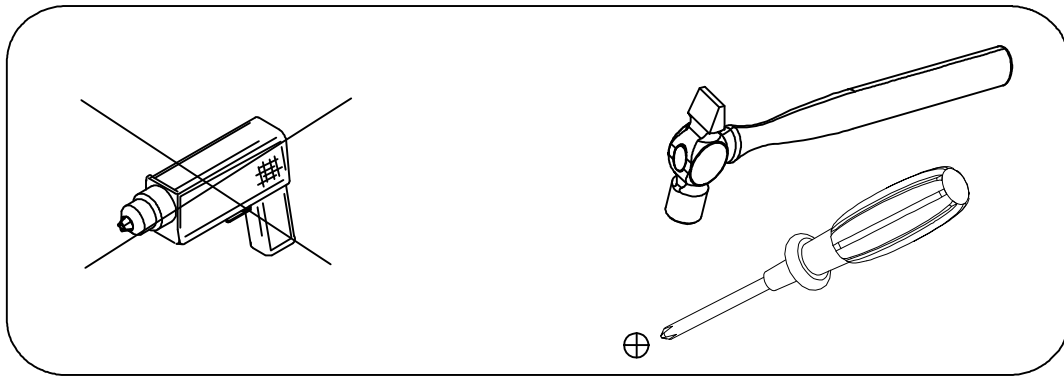
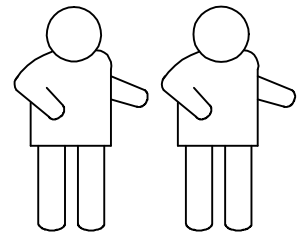
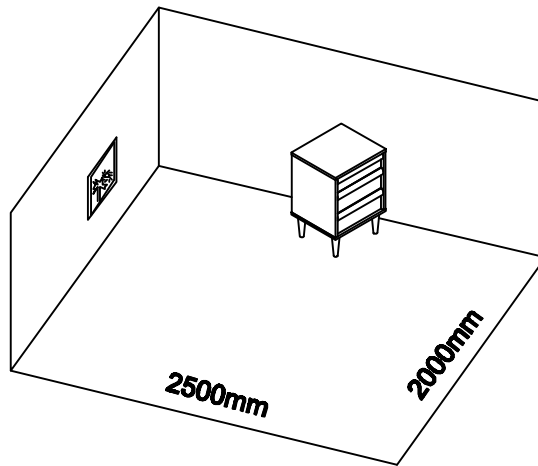
BANAK

MARGOT

GT-0105BC



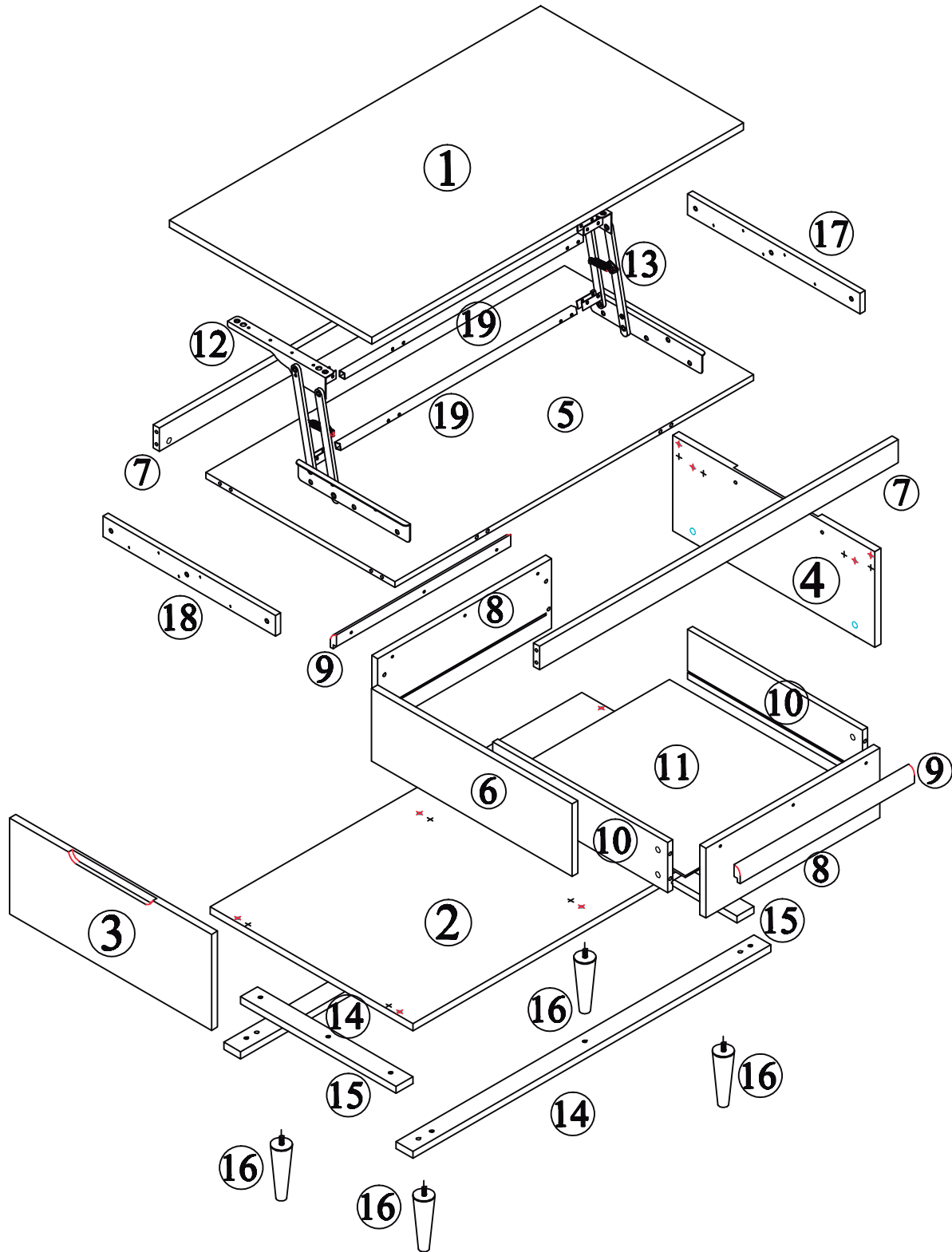
55min



BANAK

MARGOT

GT-0105BC

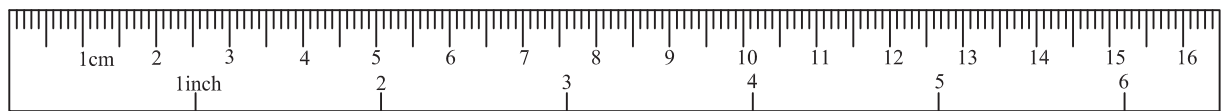













BANAK

MARGOT

GT-0105BC

		GT-0105BC
1	1	1100 X 600 X 18 MM
2	1	1100 X 600 X 18 MM
3	1	596 X 246 X 18 MM
4	1	596 X 246 X 18 MM
5	1	1060 X 557 X 15 MM
6	1	592 X 185 X 18 MM
7	2	1060 X 80 X 18 MM
8	2	515 X 179 X 18 MM
9	2	515 X 40X 18 MM
10	2	518 X 128 X 15 MM
11	1	527 X 480 X 5 MM
12	1	
13	1	
14	1	1060X 54 X 18MM
15	1	405X 54 X 18MM
16	4	Ø50 X 150MM
17	1	555 X47X 15 MM
18	1	555 X47X 15 MM
19	2	



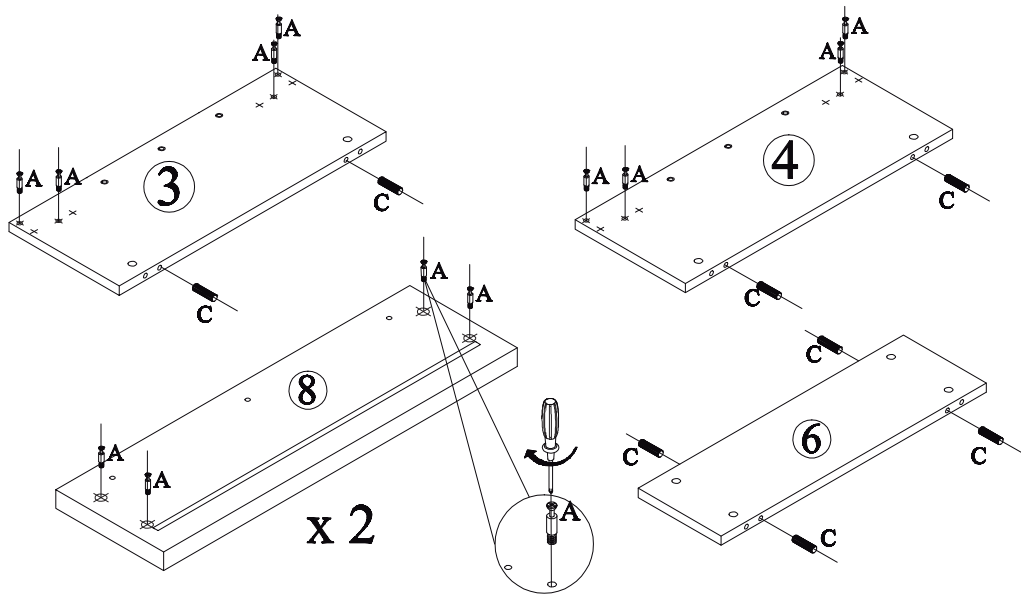
 L=35 Ax28	 Ø15 Bx28	 Ø8x30 Cx20	 M4x30 Dx6	 Ø20 Ex20	 Ø20x5 Fx4
 M6x25 Gx6	 Ø4x30 Hx12	 M6x25 Ix8	 Ø4x14 Kx18	 M4 Lx1	

BANAK

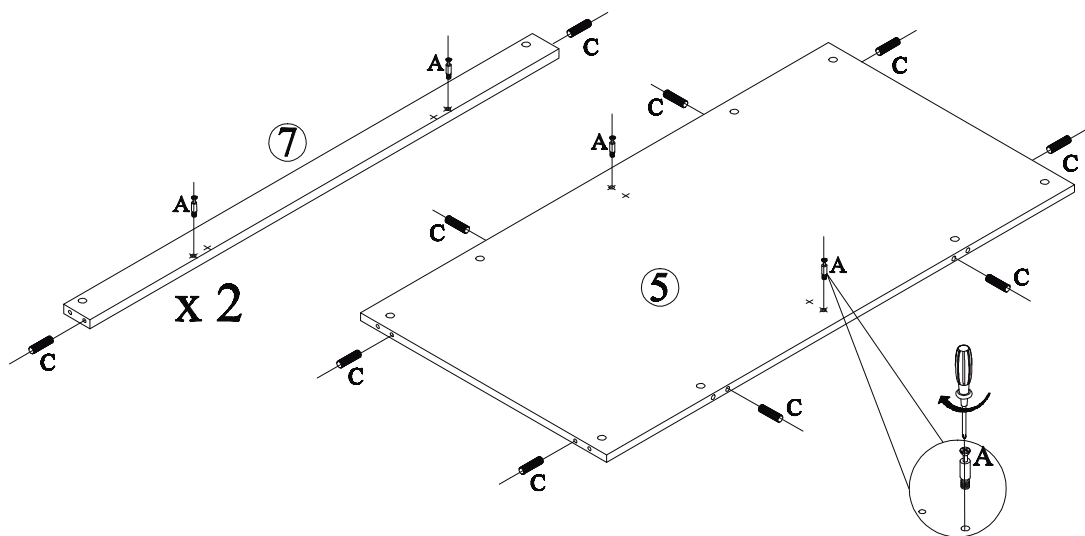
MARGOT

GT-0105BC

1



2



BANAK

MARGOT

GT-0105BC

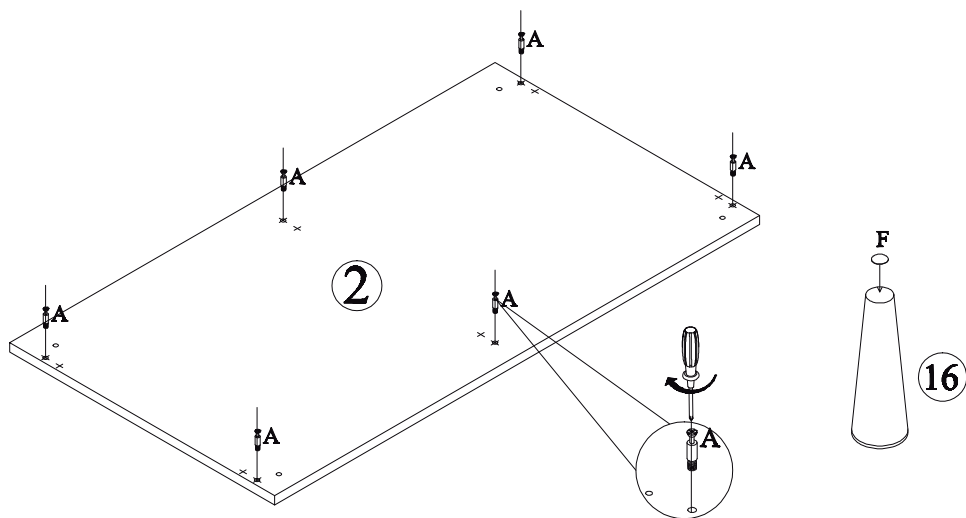
3



Ax4



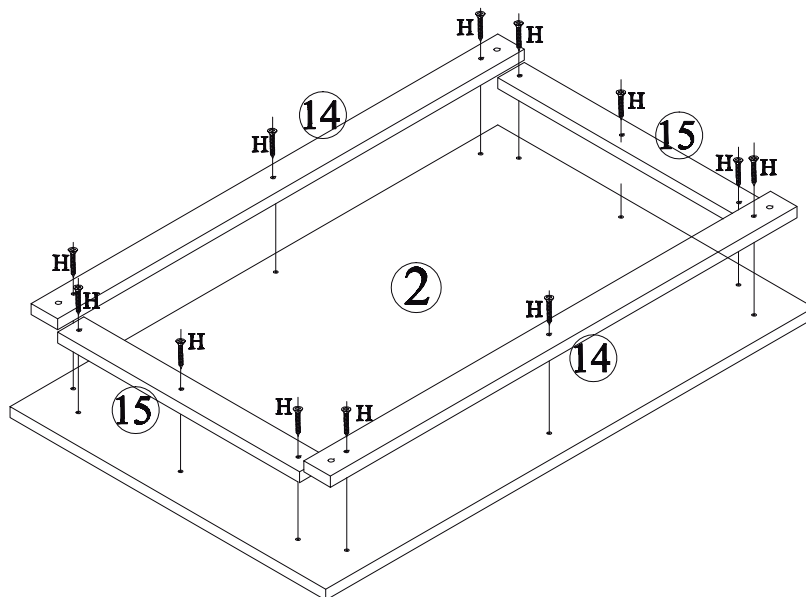
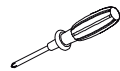
Fx4



4



Hx12

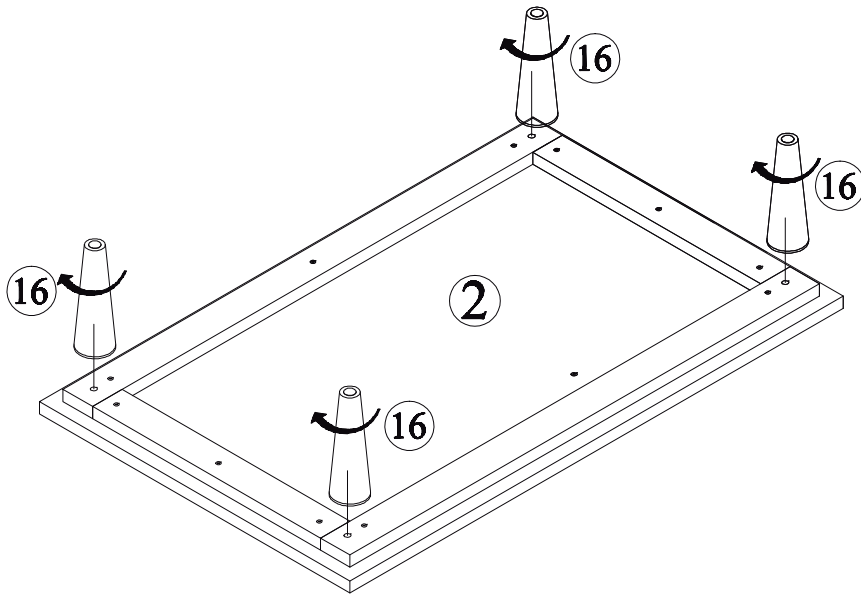


BANAK

MARGOT

GT-0105BC

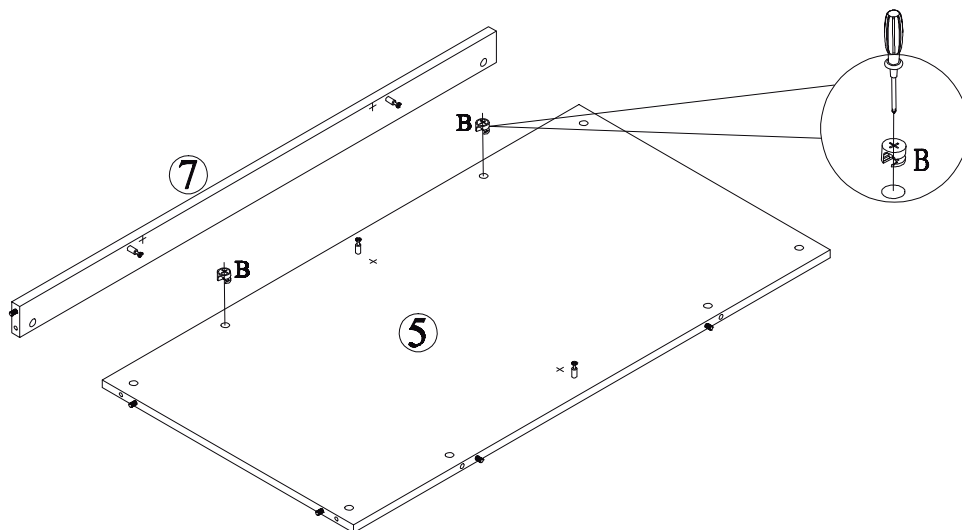
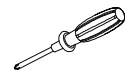
5



6



Bx2



BANAK

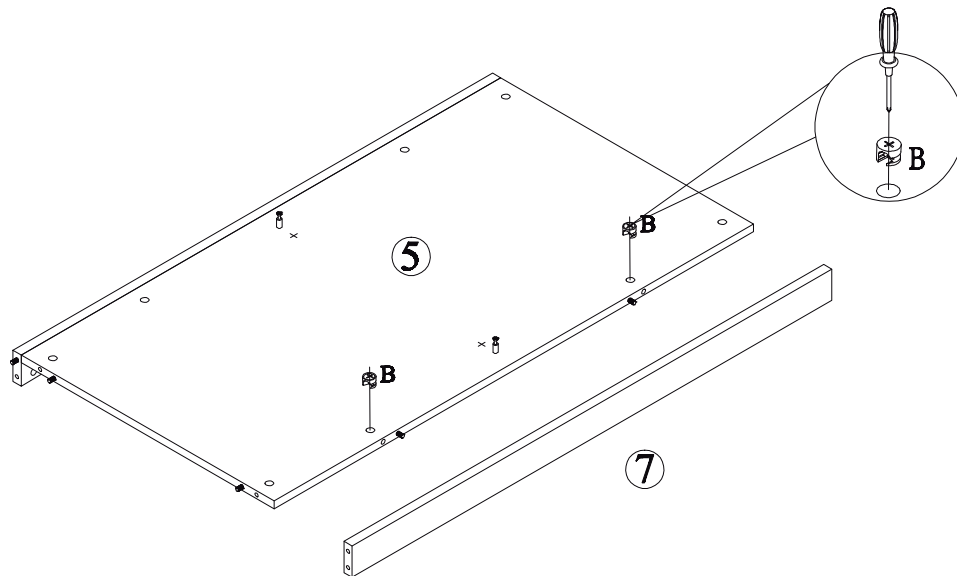
MARGOT

GT-0105BC

7



Bx2



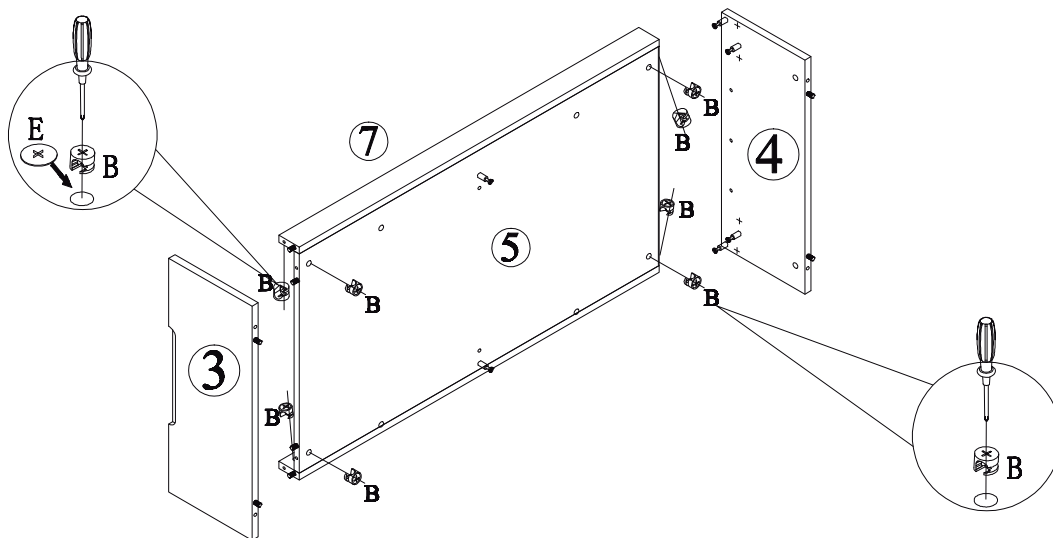
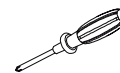
8



Bx8



E x 4



BANAK

MARGOT

GT-0105BC

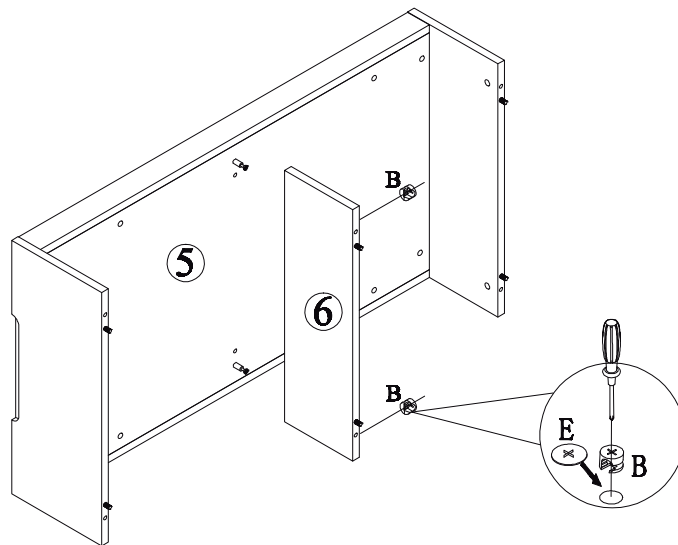
9



Bx2



Bx2



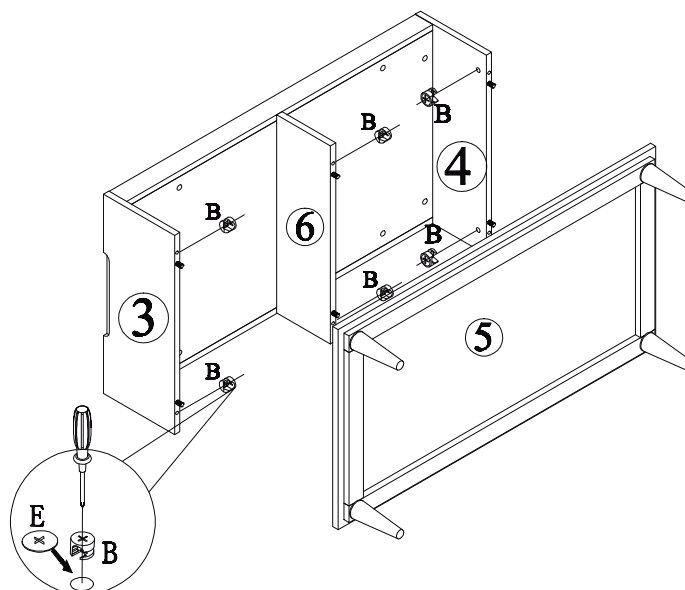
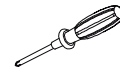
10



Bx6



Bx6

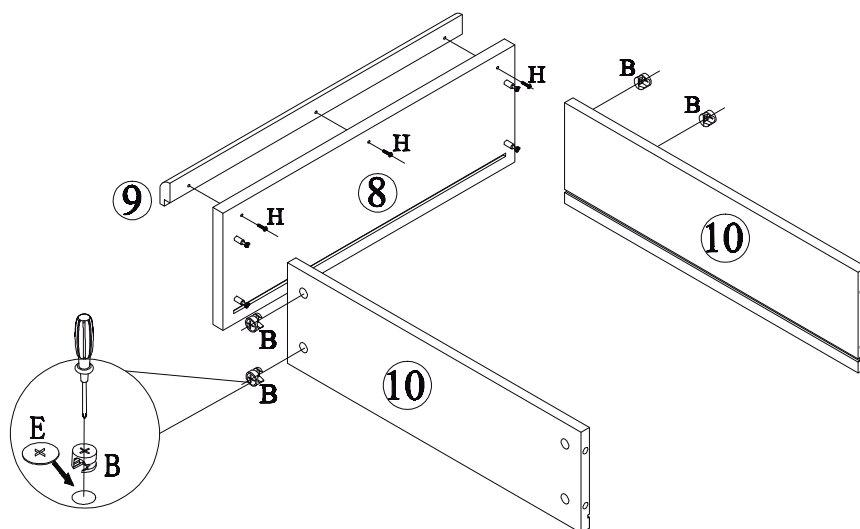
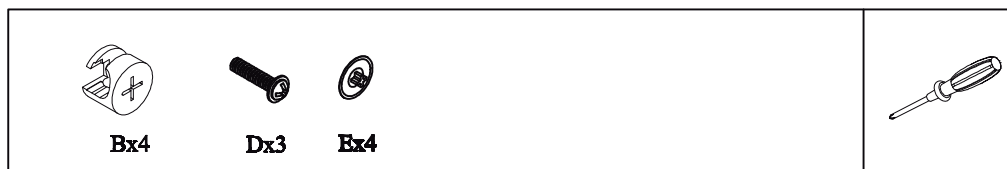


BANAK

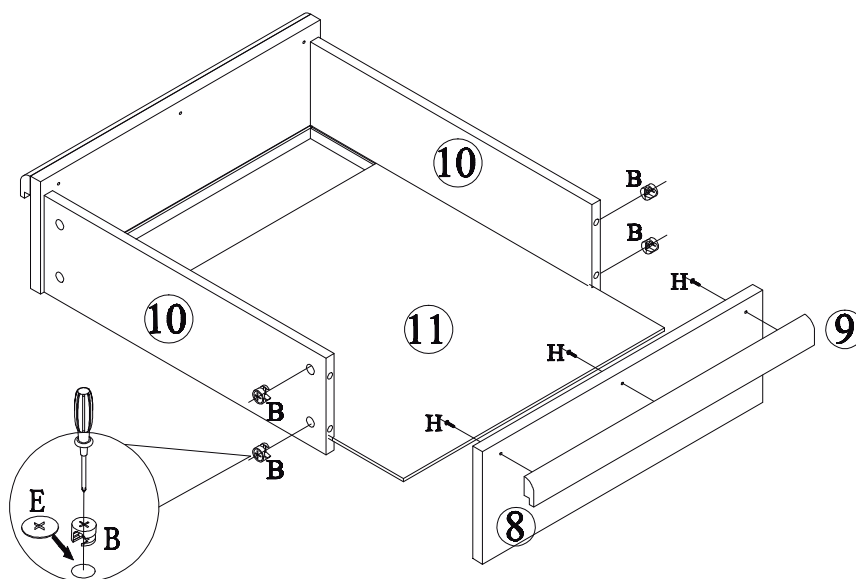
MARGOT

GT-0105BC

11



12



BANAK

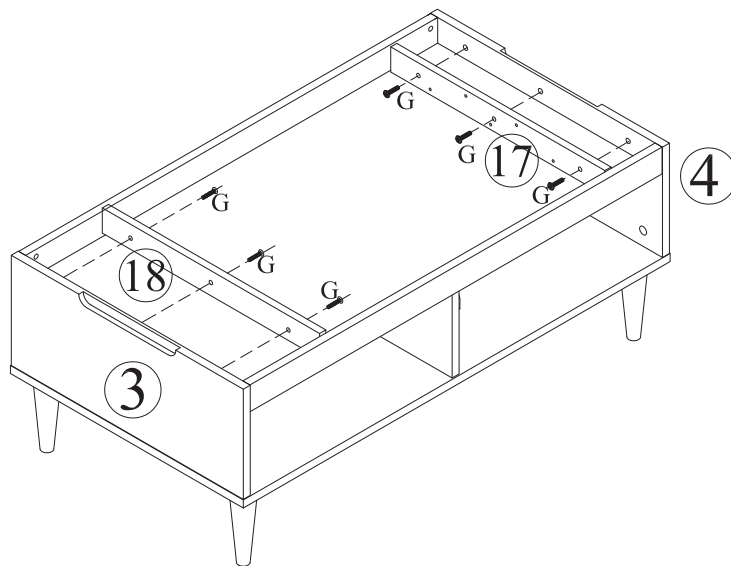
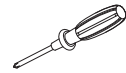
MARGOT

GT-0105BC

13



Gx6



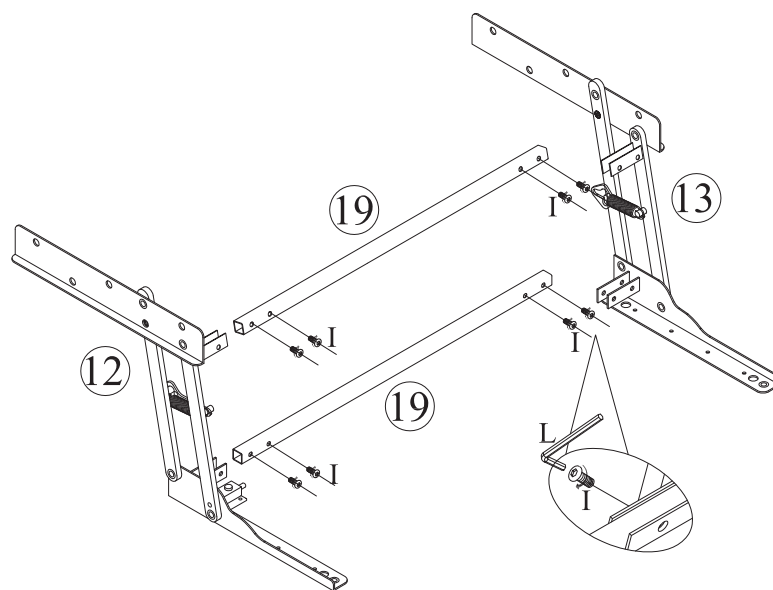
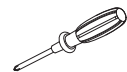
14



Ix8



Lx1



BANAK

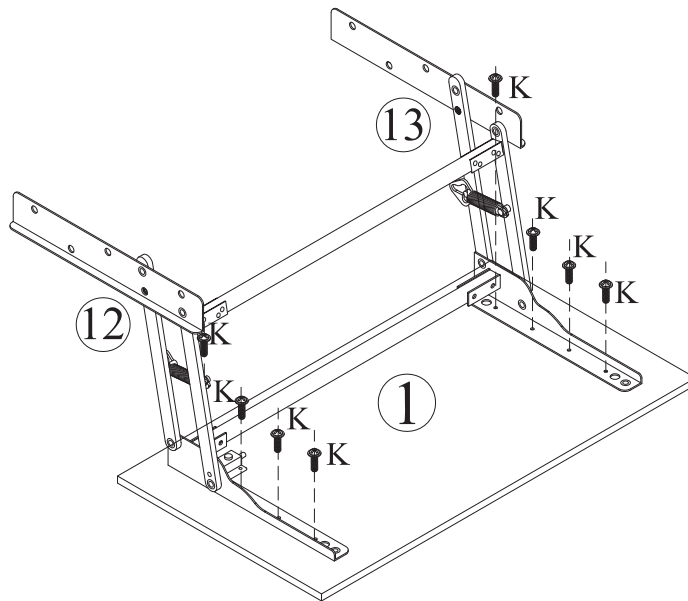
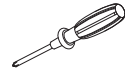
MARGOT

GT-0105BC

15



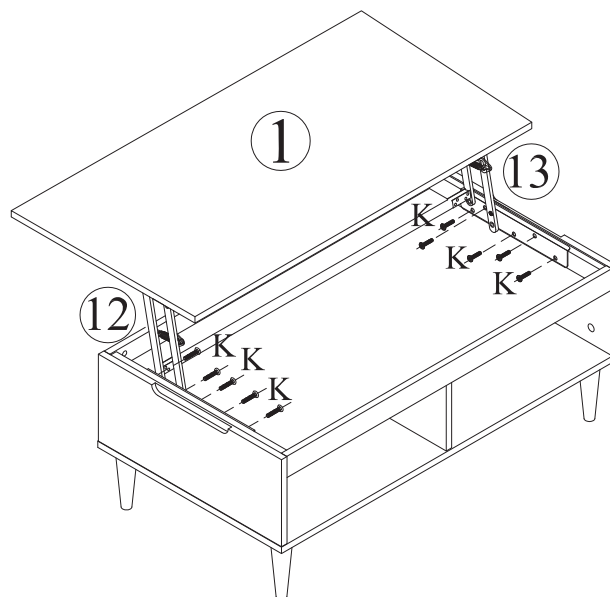
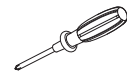
Kx8



16



Kx10

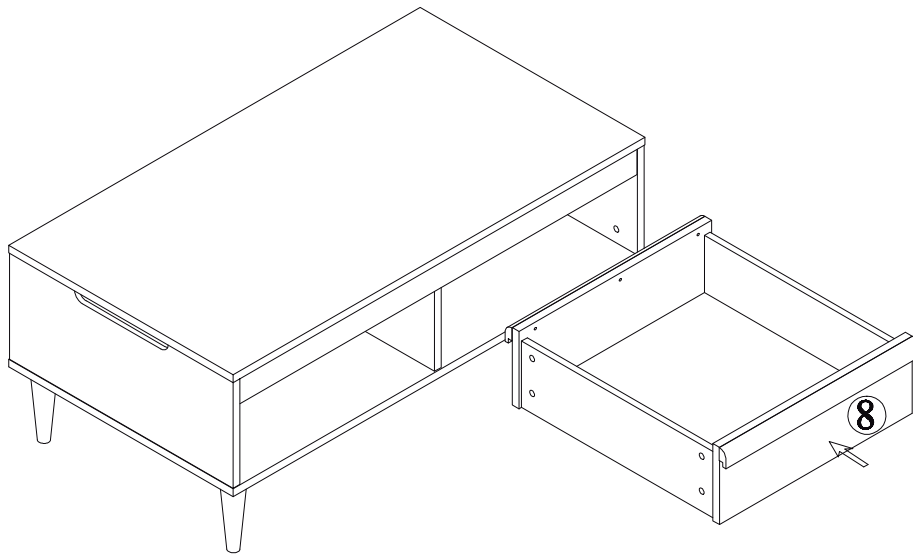
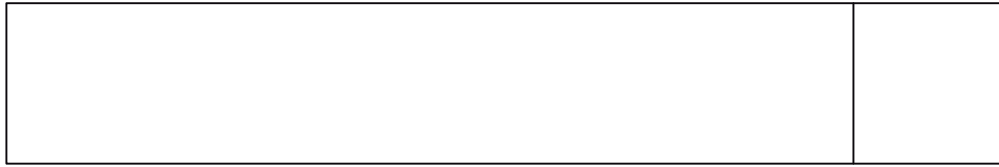


BANAK

MARGOT

GT-0105BC

17



18

