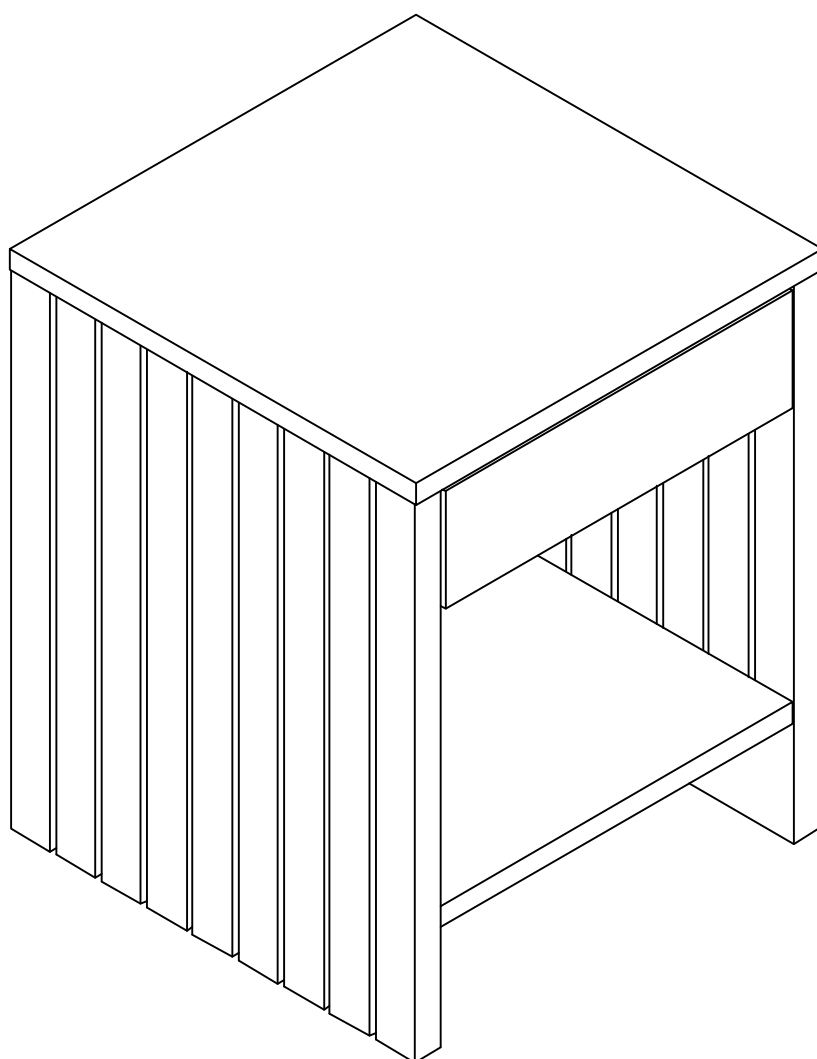


BANAK

HAIKU

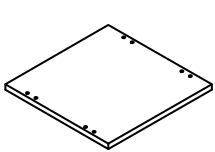
HK-0100R



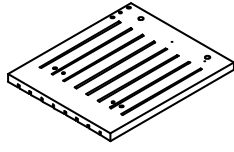
BANAK

HAIKU

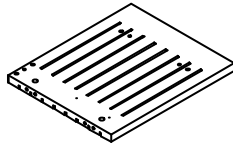
HK-0100R



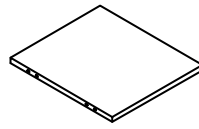
Ax1



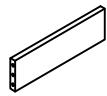
Bx1



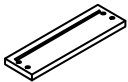
Cx1



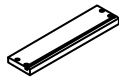
Dx1



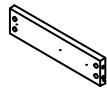
Ex1



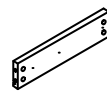
Fx1



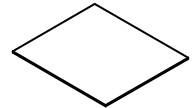
Gx1



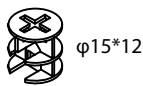
Hx1



Ix1



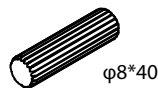
Jx1



Kx12



Lx12



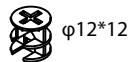
Mx10



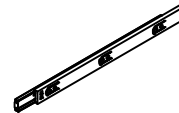
Nx12



Ox8



Px8



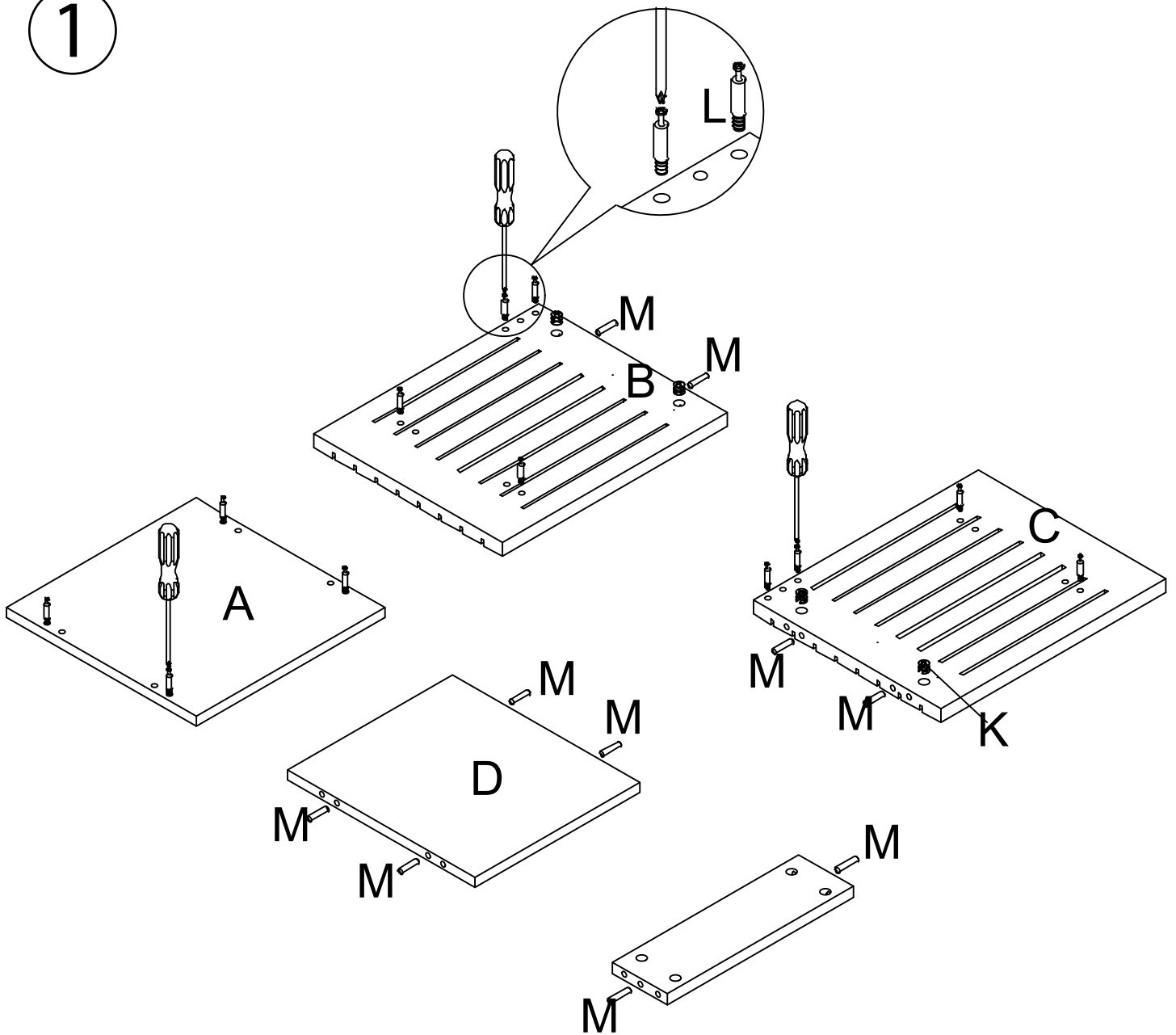
Qx1

BANAK

HAIKU

HK-0100R

1



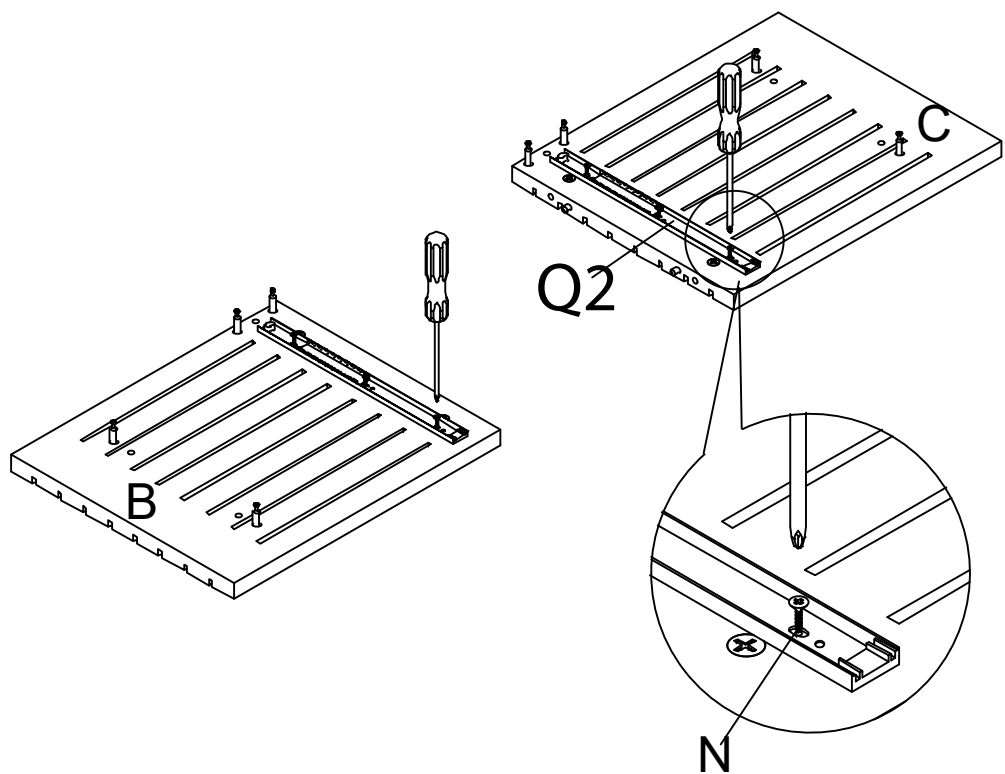
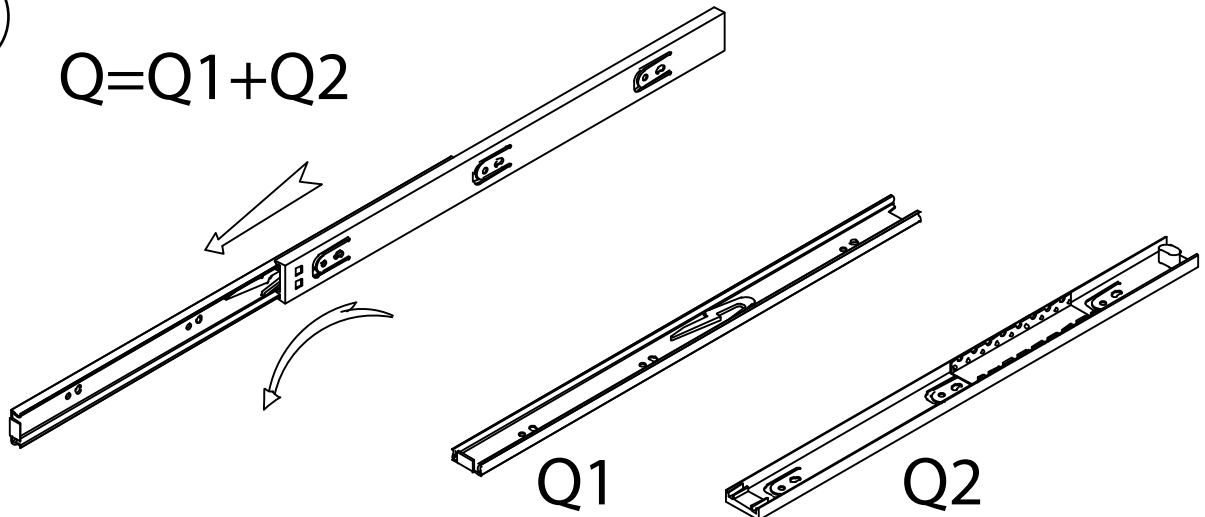
BANAK

HAIKU

HK-0100R

2

$Q=Q1+Q2$

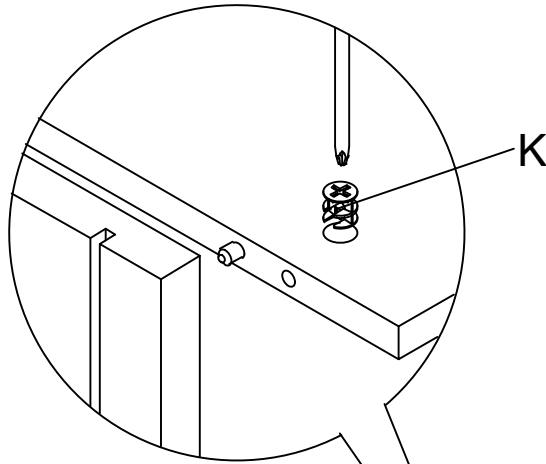


BANAK

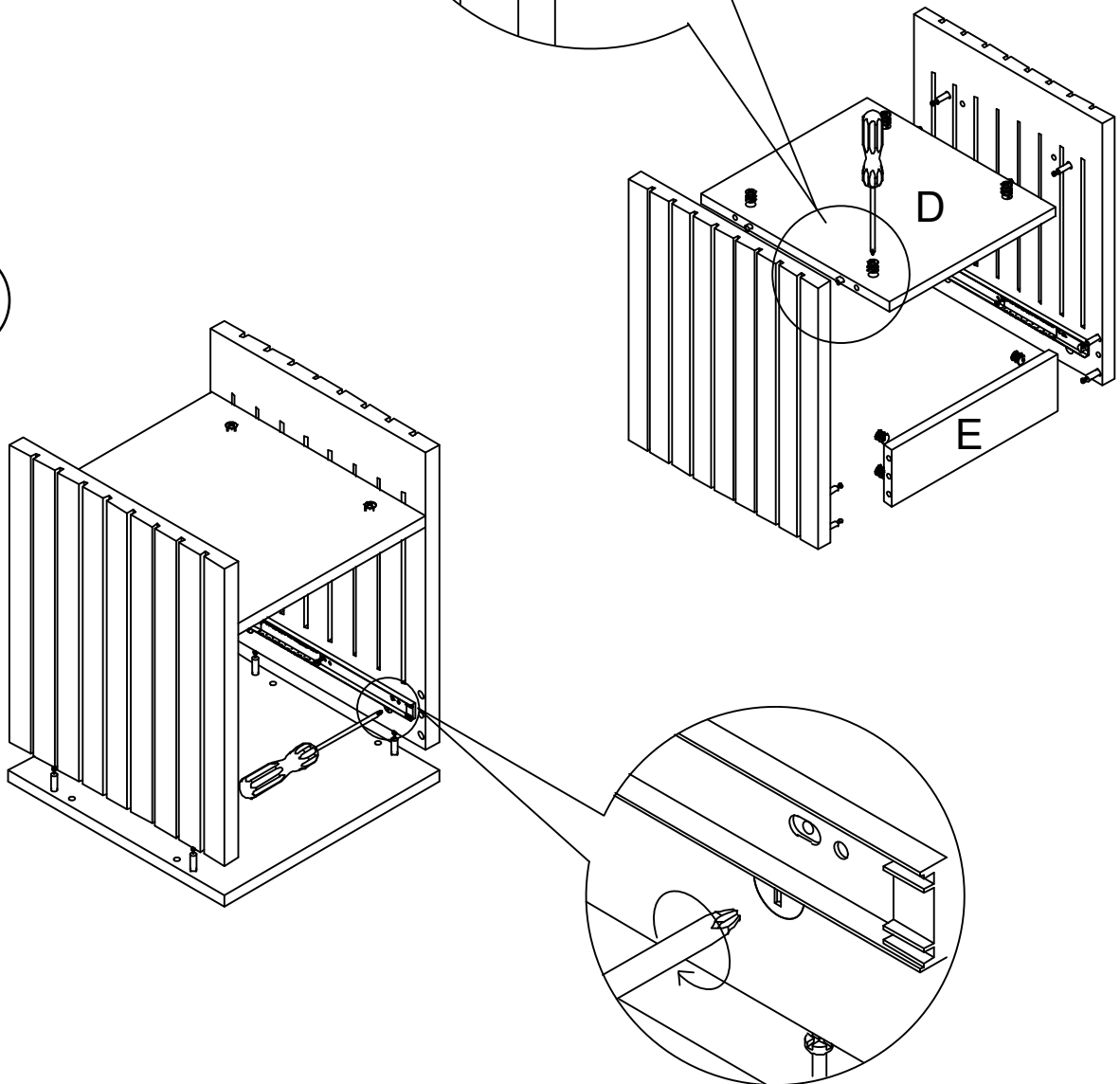
HAIKU

HK-0100R

3



4

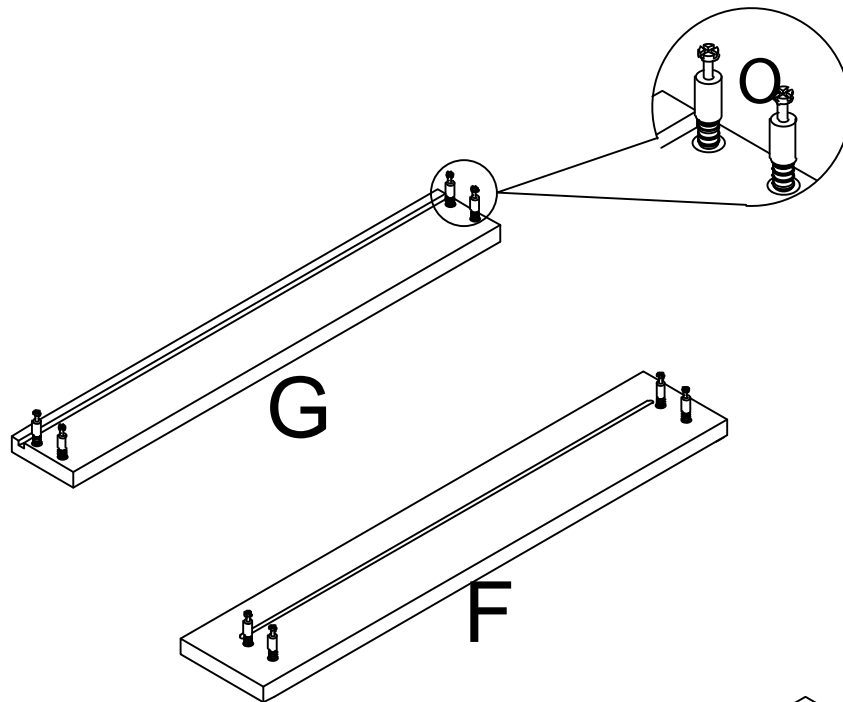


BANAK

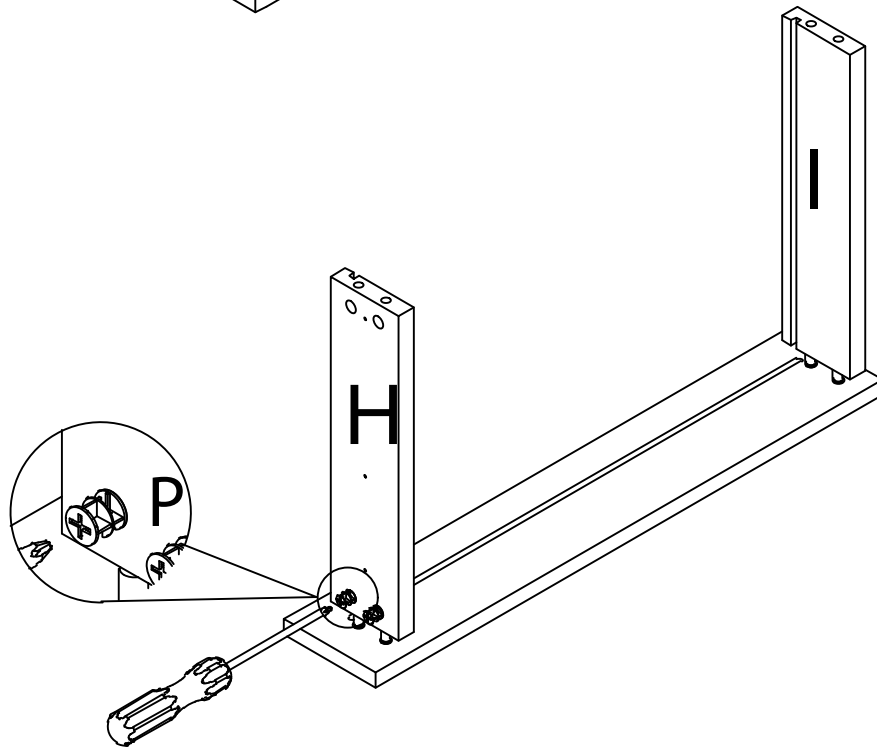
HAIKU

HK-0100R

5



6

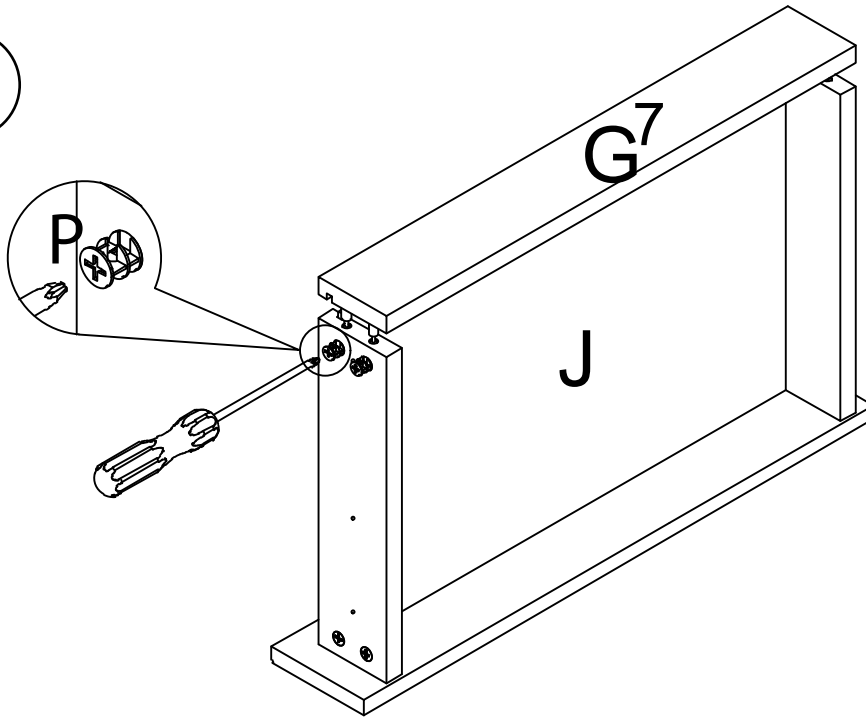


BANAK

HAIKU

HK-0100R

7



8

