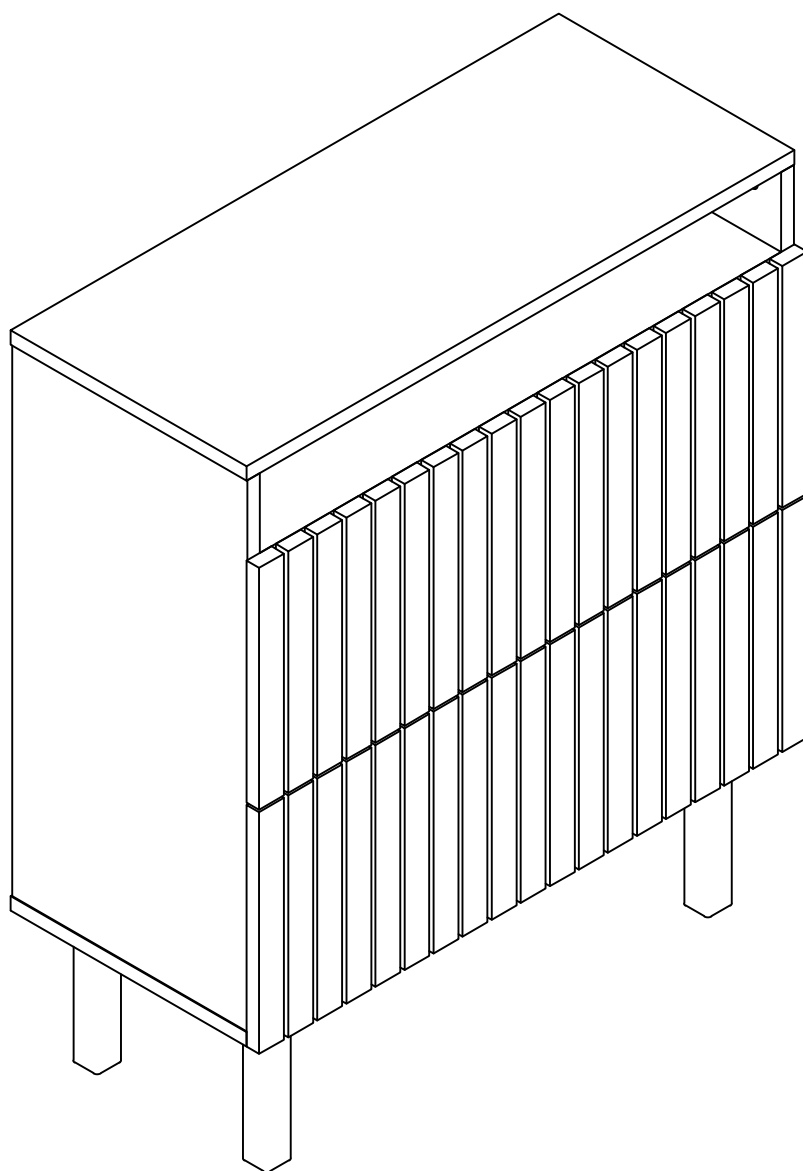


BANAK

HAIKU

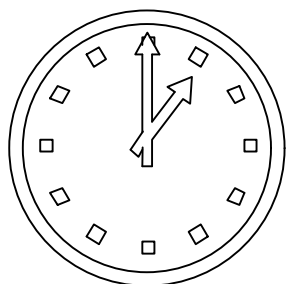
HK-0102R



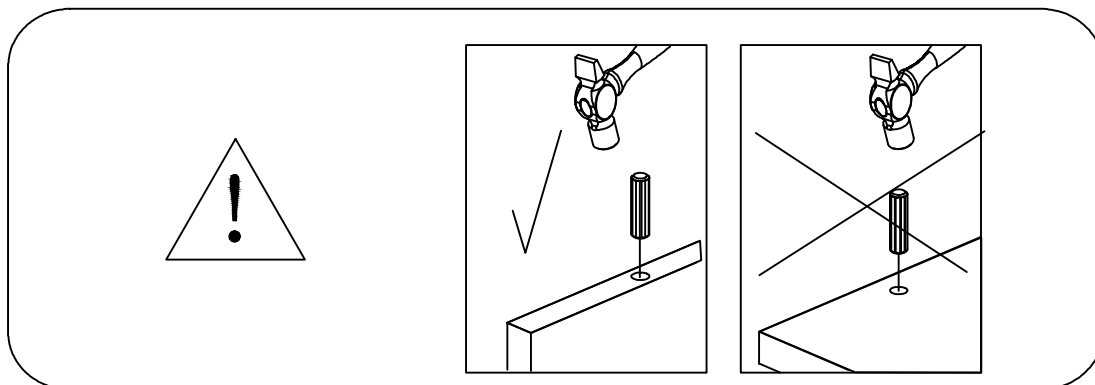
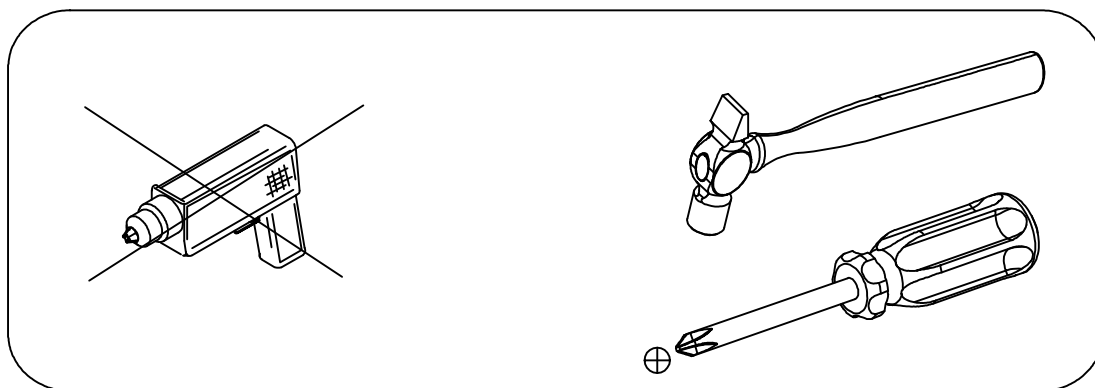
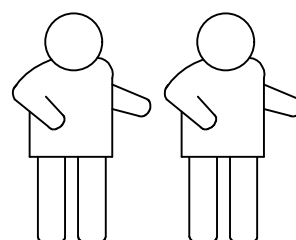
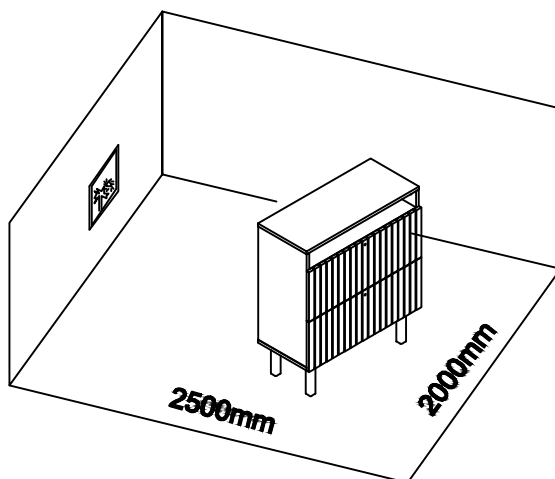
BANAK

HAIKU

HK-0102R



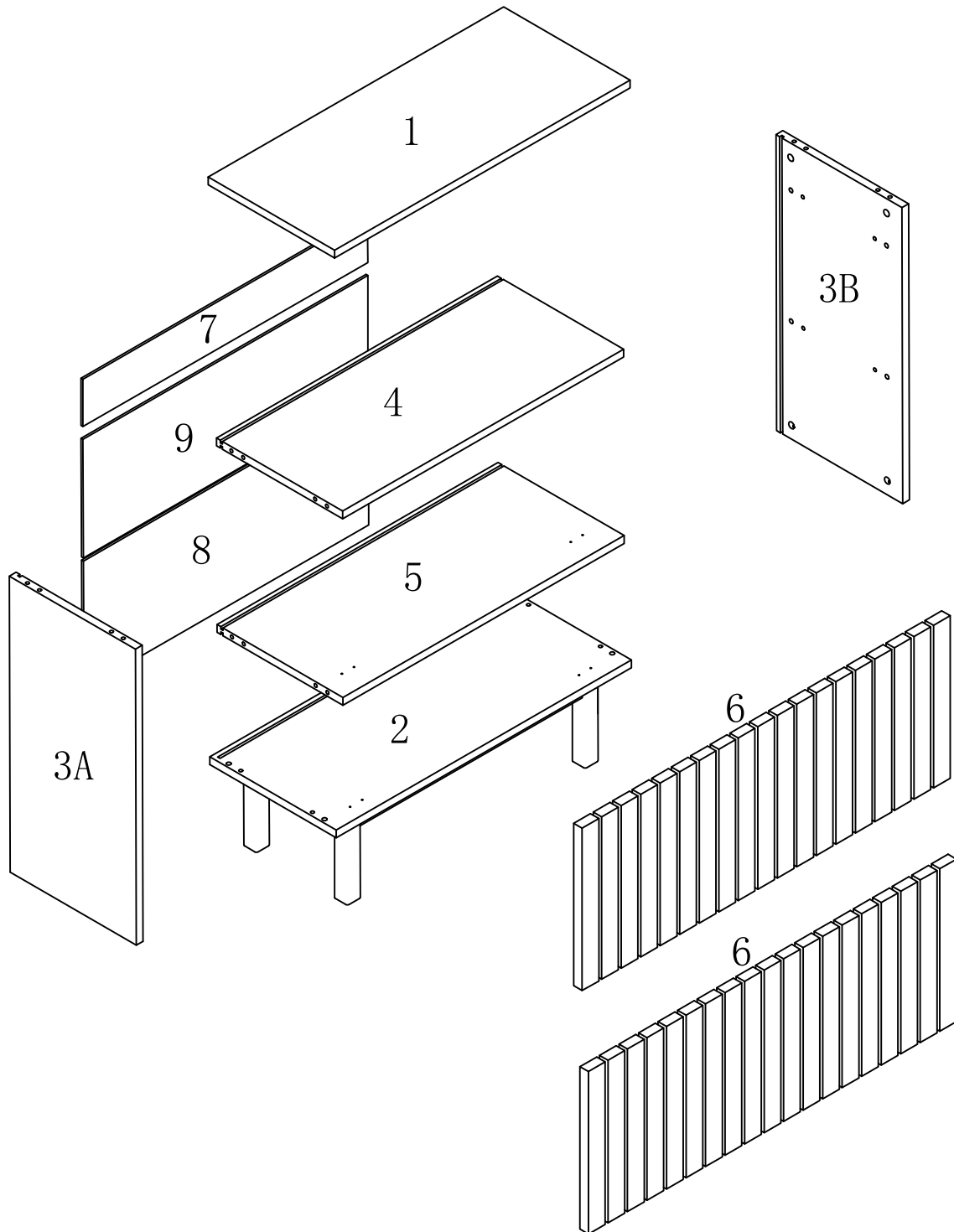
60 min



BANAK

HAIKU

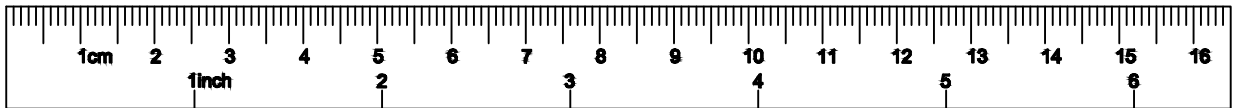
HK-0102R



BANAK

HAIKU

HK-0102R

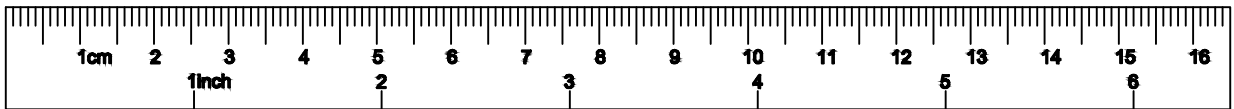











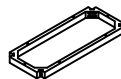




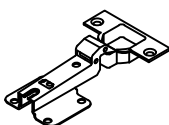
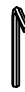


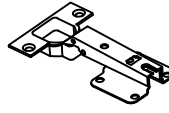


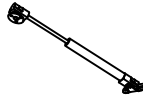


1	1	785*338*18MM
2	1	785*338*18MM
3A	1	684*337*18MM
3B	1	684*337*18MM
4	1	747*337*18MM
5	1	747*337*18MM
6	2	785*300*18
7	1	757*109*5MM
8	1	757*274*5MM
9	1	757*295*5MM

BANAK

HAIKU

HK-0102R



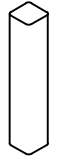
 $\phi 15*12$	 AX16	 M6*35	 BX16	 $\phi 8*40$	 CX16	 M3.5*15	 DX48
 EX4	 FX1	 GX14	 M6*50	 HX8			
 IX10	 JX2	 KX1	 LX2				
 MX2	 NX2	 OX2	 PX2				
 QX2	 M6*45	 RX6					

BANAK

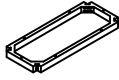
HAIKU

HK-0102R

1



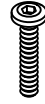
EX4



FX1



GX14



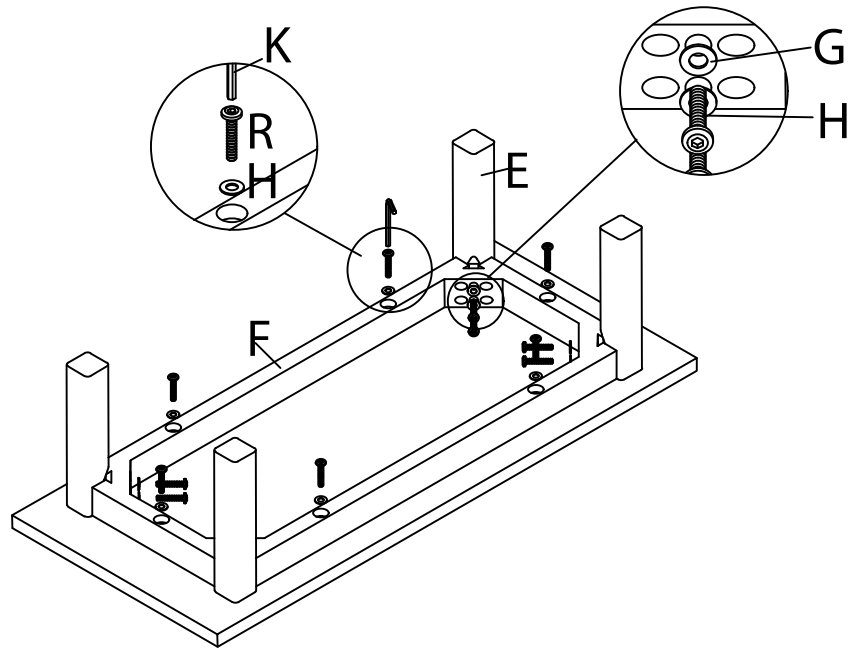
HX8



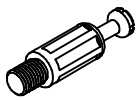
KX1



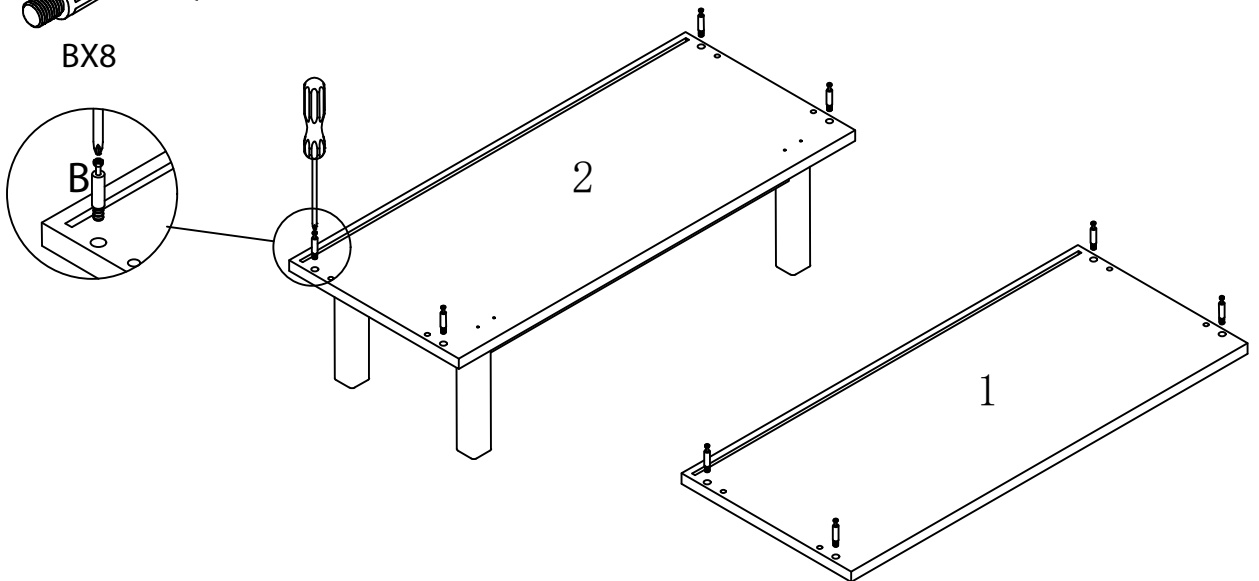
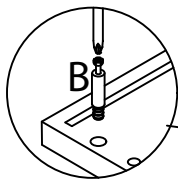
RX6



2



BX8

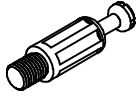


BANAK

HAIKU

HK-0102R

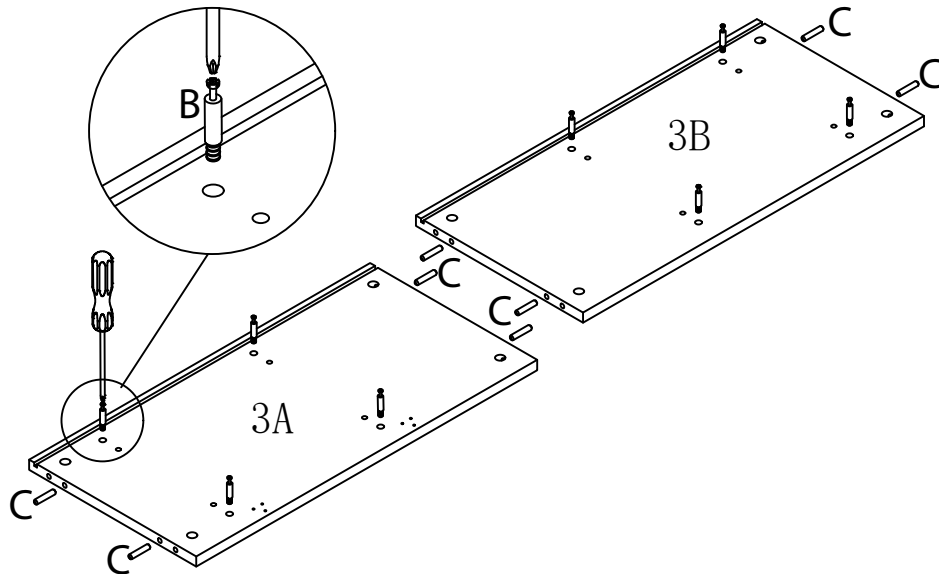
3



BX8



CX8



4



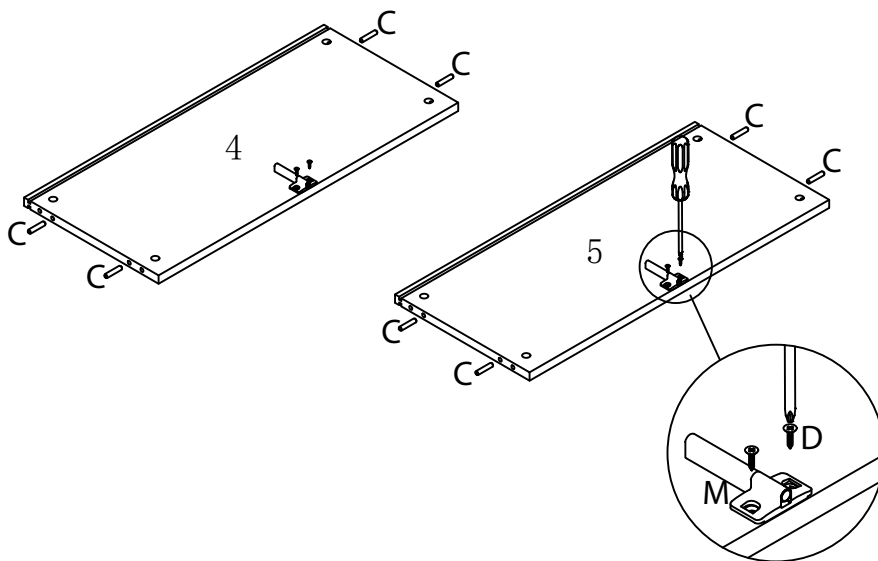
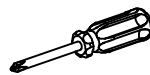
CX8



DX4



MX2



BANAK

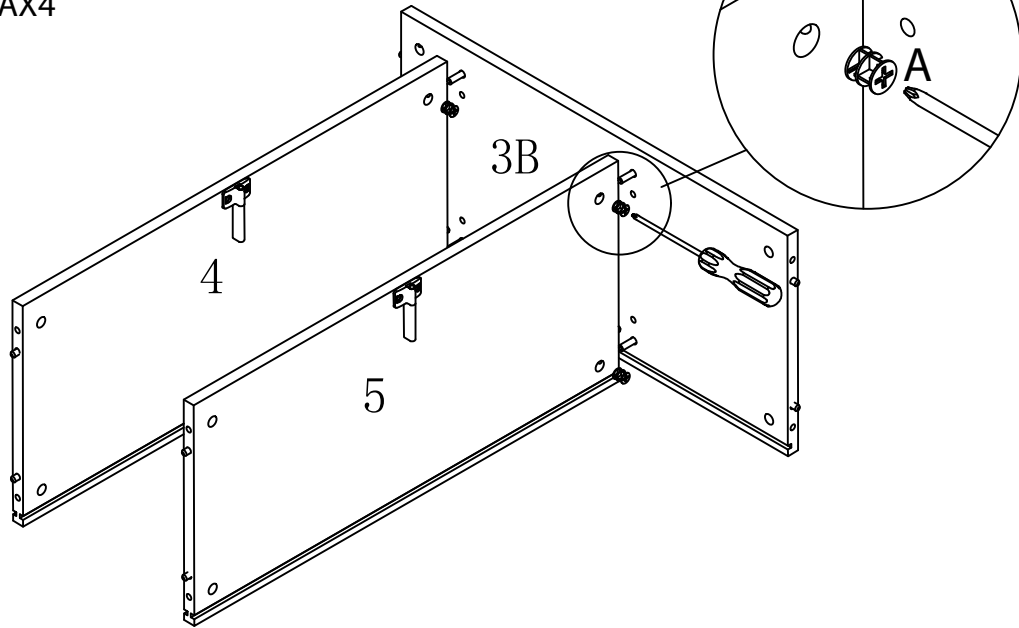
HAIKU

HK-0102R

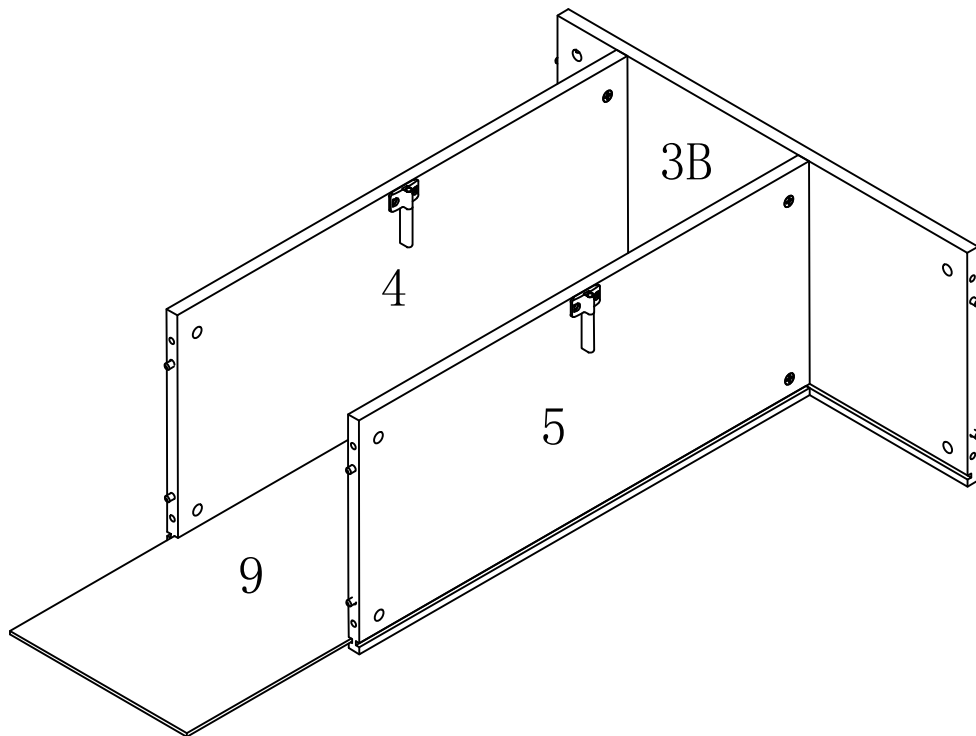
5



AX4



6



BANAK

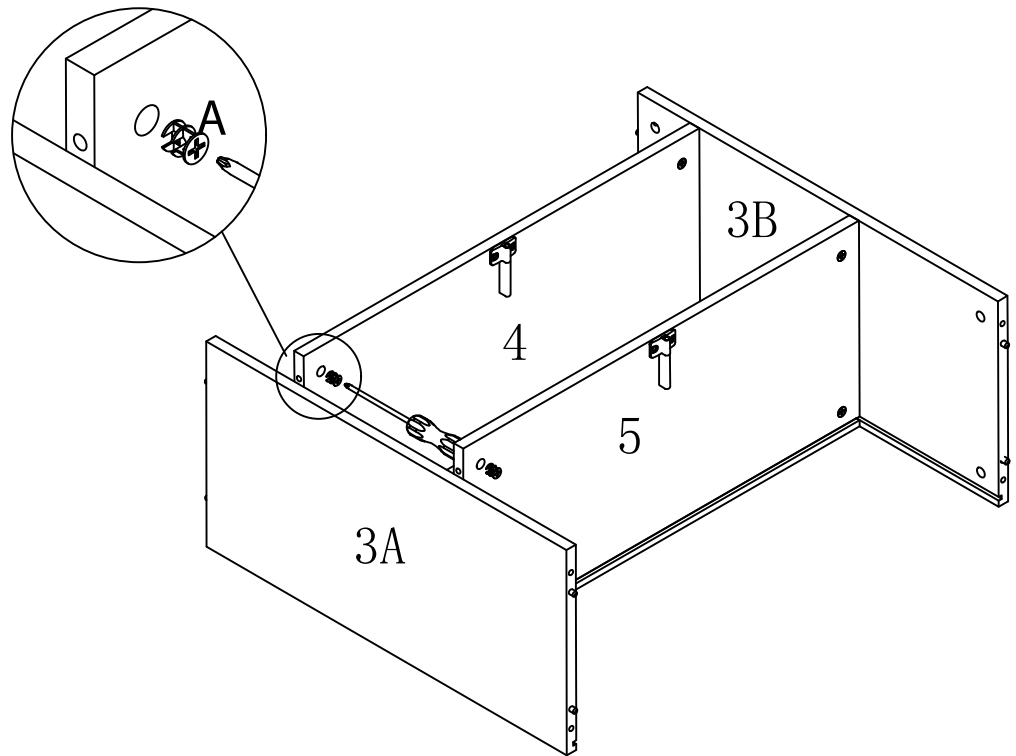
HAIKU

HK-0102R

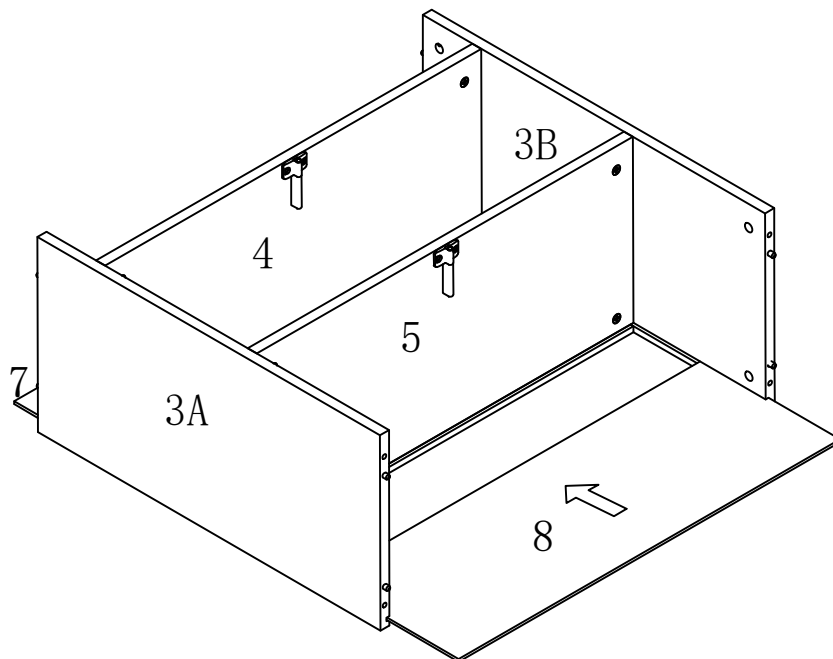
7



AX4



8

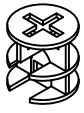


BANAK

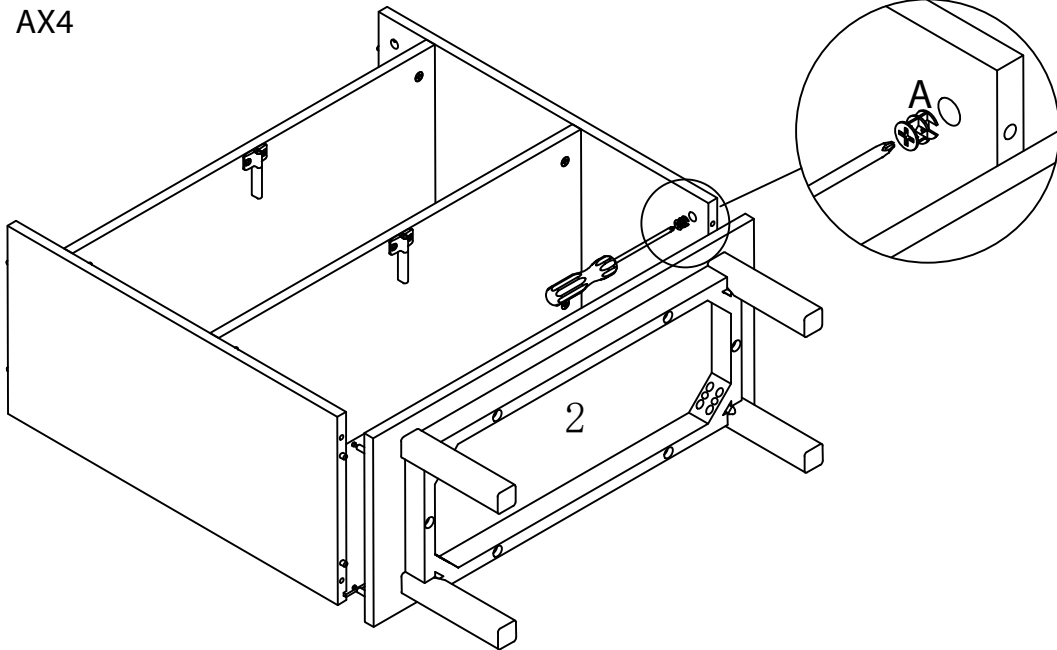
HAIKU

HK-0102R

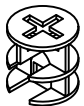
9



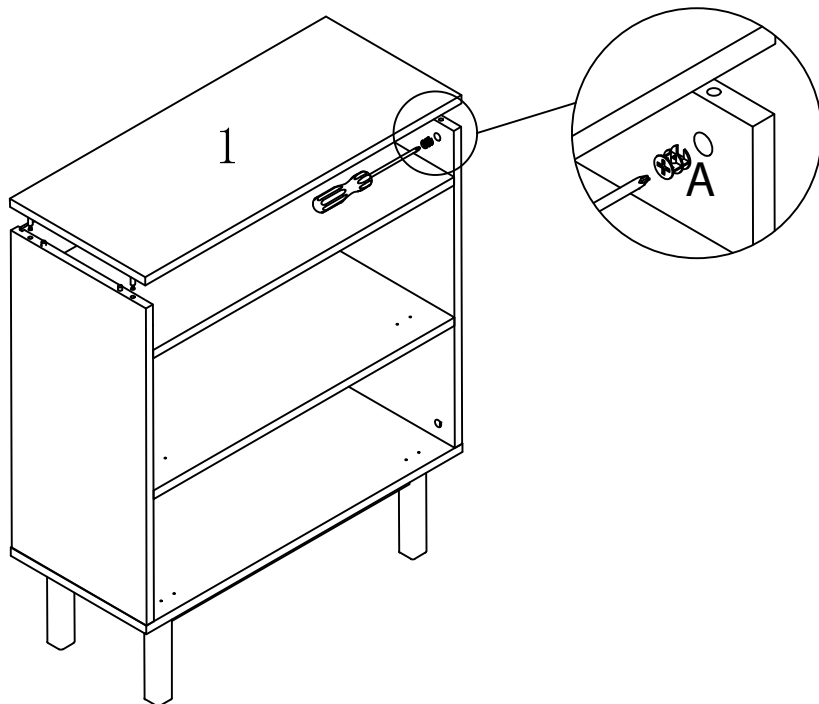
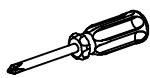
AX4



10



AX4



BANAK

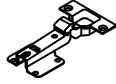
HAIKU

HK-0102R

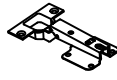
11



DX8



JX2



NX2



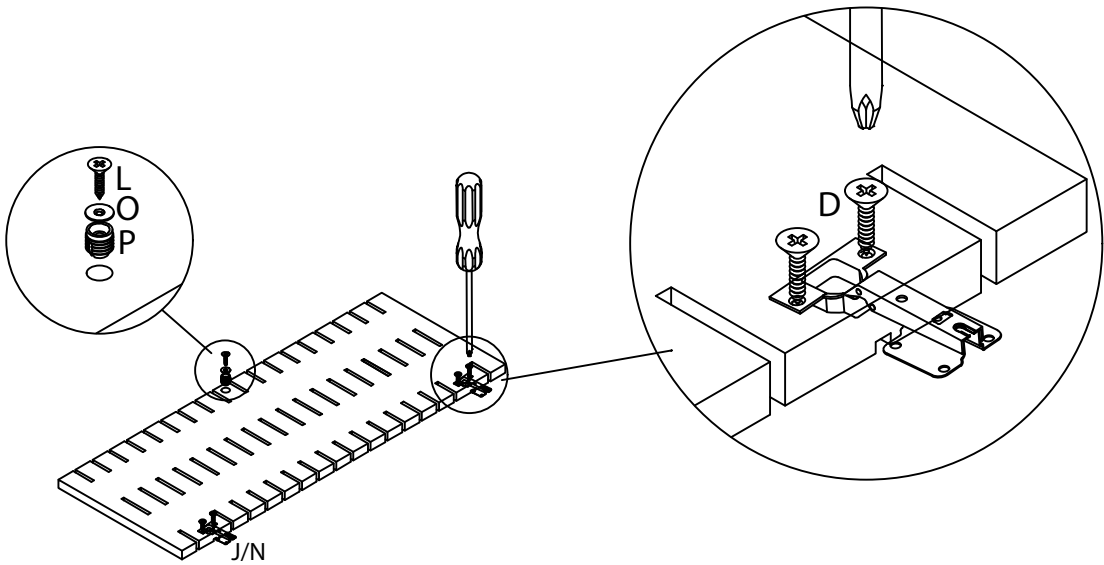
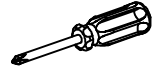
LX2



OX2



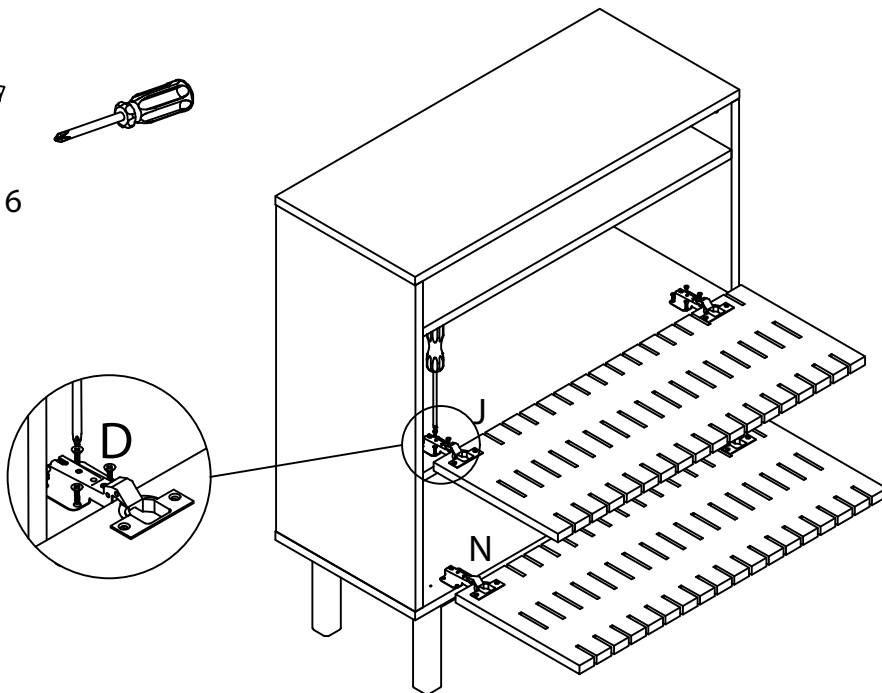
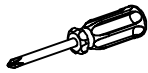
PX2



12



DX16



BANAK

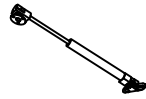
HAIKU

HK-0102R

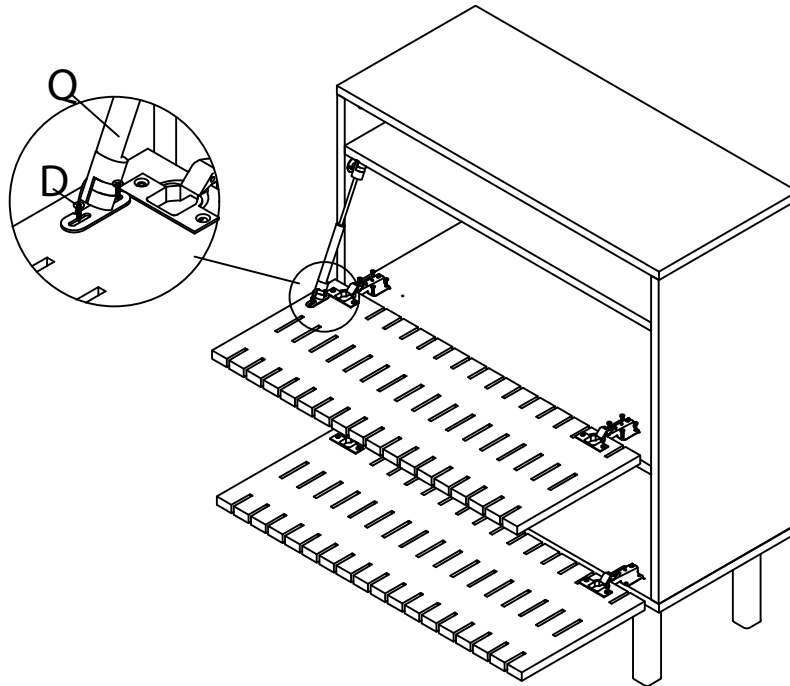
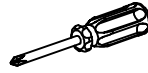
13



DX10



QX2



14



DX10



IX10

