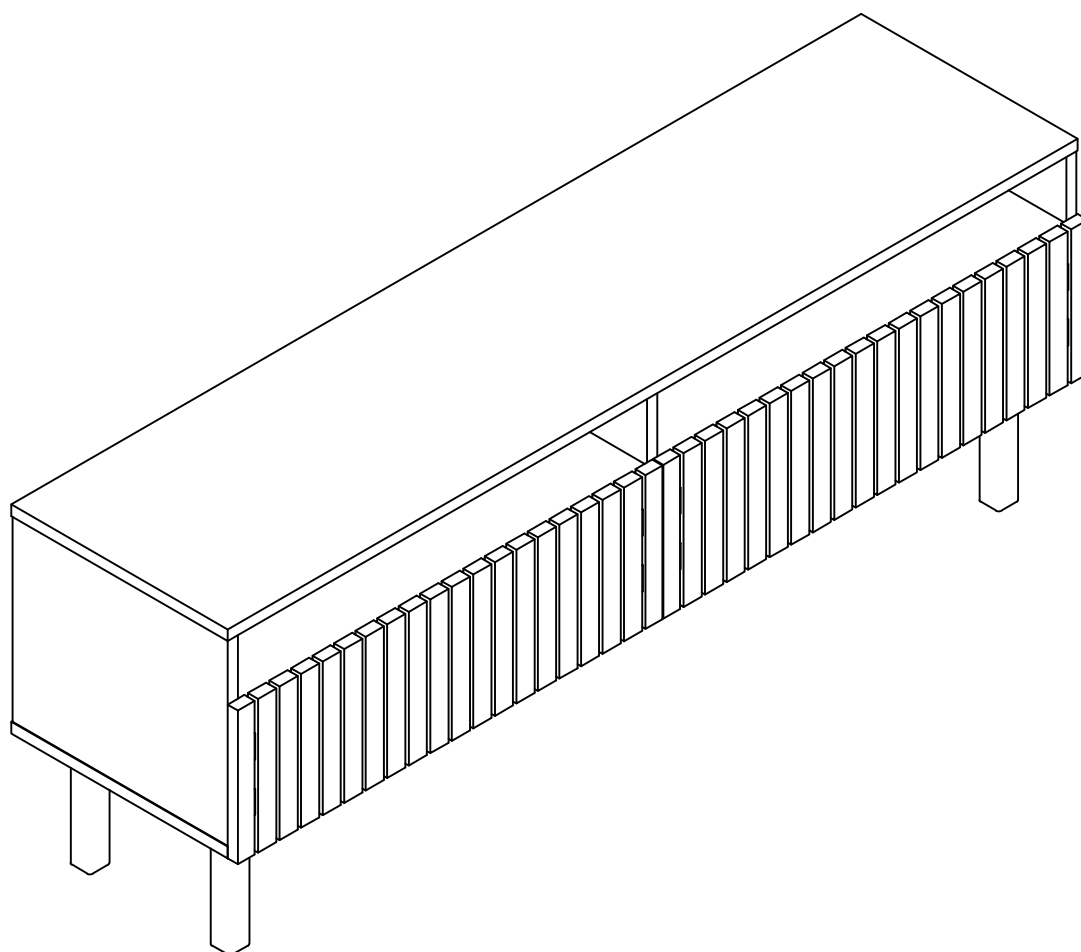


BANAK

HAIKU

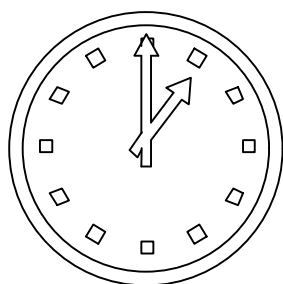
HK-0103R



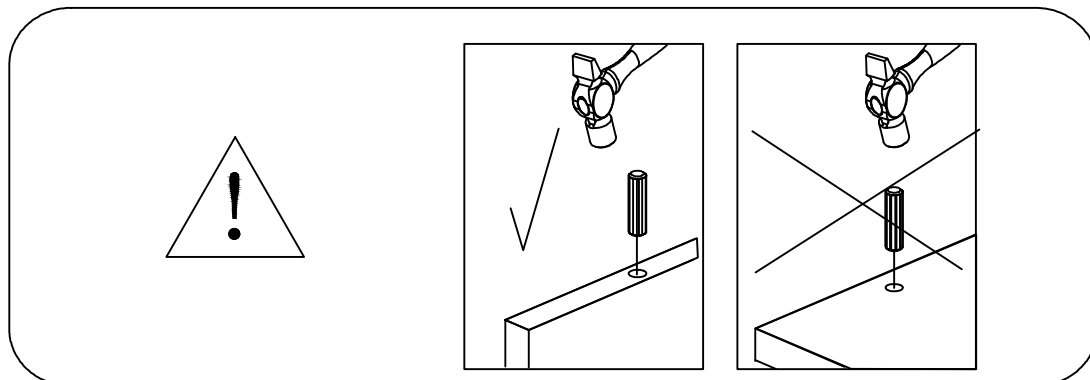
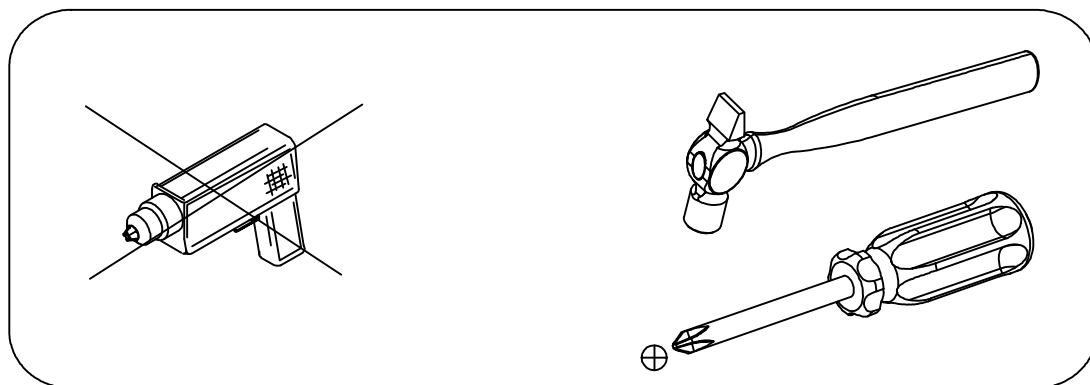
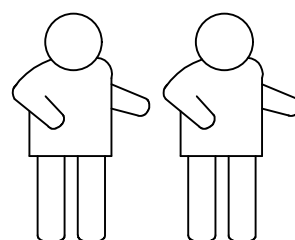
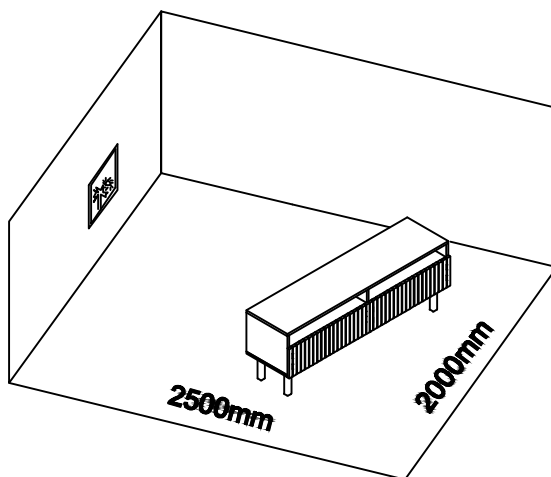
BANAK

HAIKU

HK-0103R



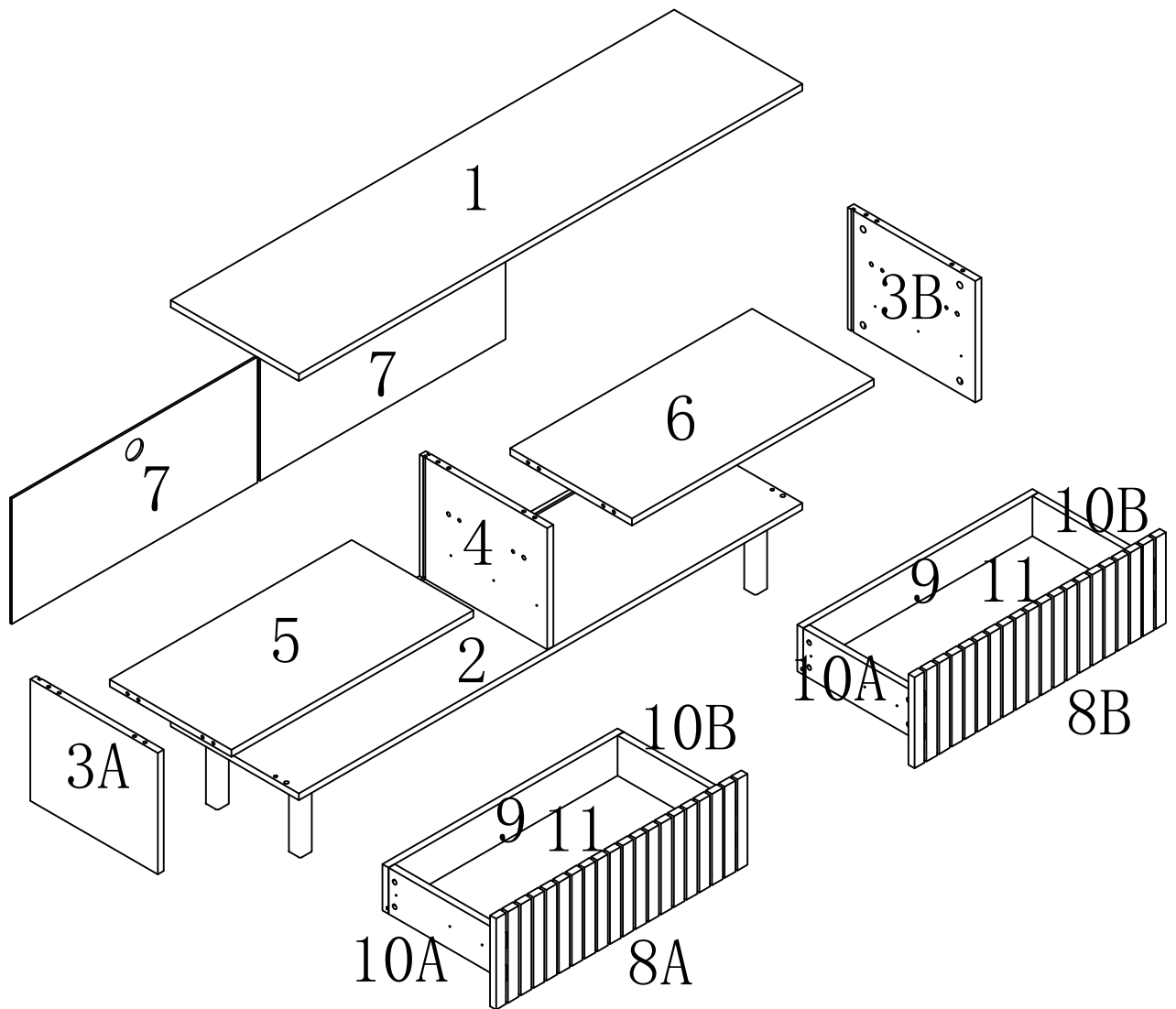
60 min



BANAK

HAIKU

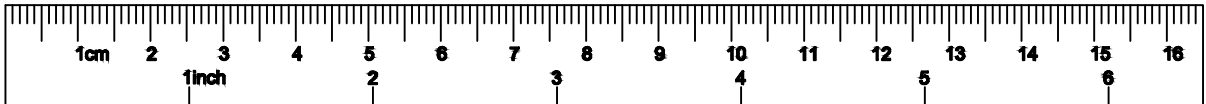
HK-0103R



BANAK

HAIKU

HK-0103R

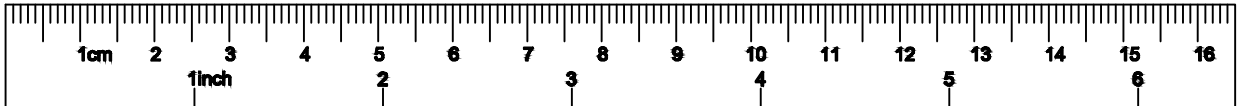













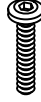
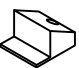


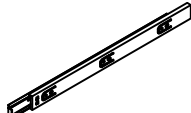

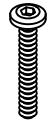
1	1	1500*382*18MM
2	1	1500*382*18MM
3A	1	380*314*18MM
3B	1	380*314*18MM
4	1	380*314*18MM
5	1	721*363*18MM
6	1	721*363*18MM
7	2	732*324*5MM
8A	1	749*235*18MM
8B	1	749*235*18MM
9	2	701*120*18MM
10A	2	332*120*18MM
10B	2	332*120*18MM
11	2	675*342*5MM

BANAK

HAIKU

HK-0103R



 φ15*12	 AX20	 M6*35	 BX20	 φ8*40	 CX20	 M3.5*15	 DX32
 EX4	 FX1	 GX16	 HX8				
 IX8	 JX16	 KX1	 LX4				
 MX16	 NX8						

BANAK

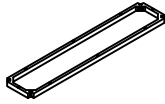
HAIKU

HK-0103R

1



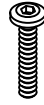
EX4



FX1



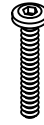
GX16



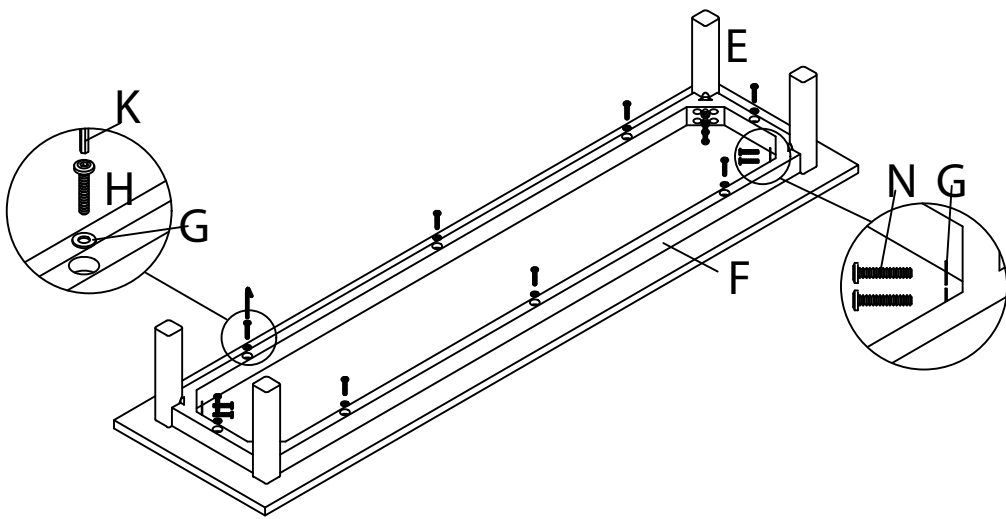
HX8



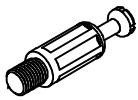
KX1



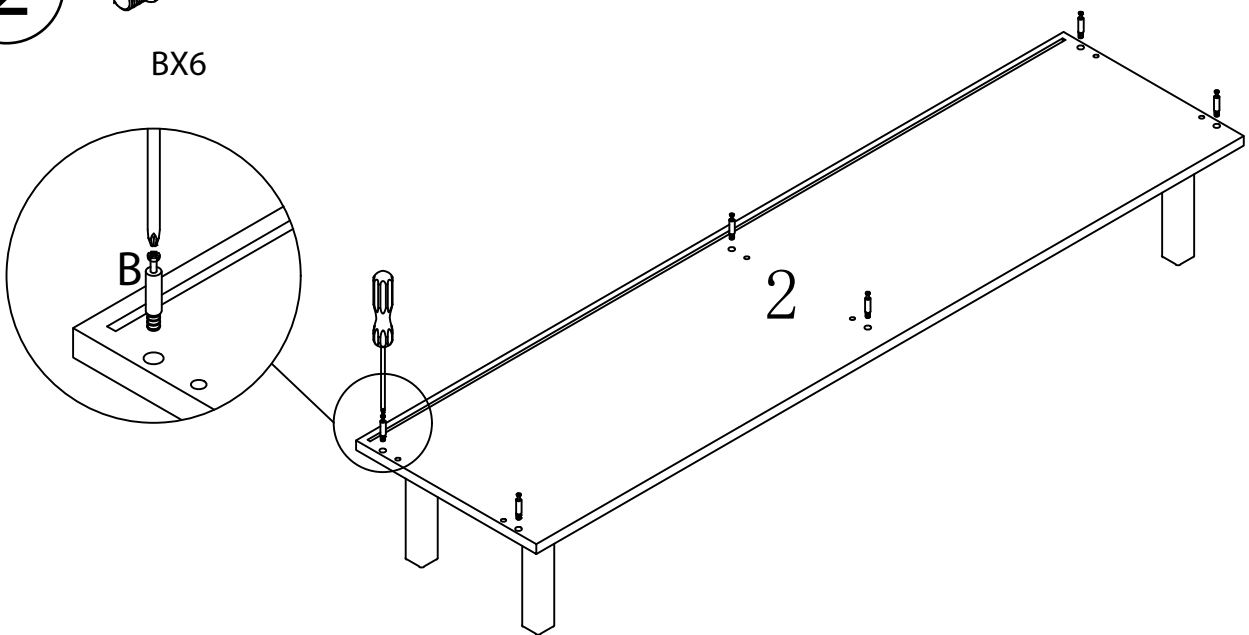
NX8



2



BX6

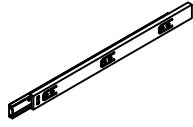


BANAK

HAIKU

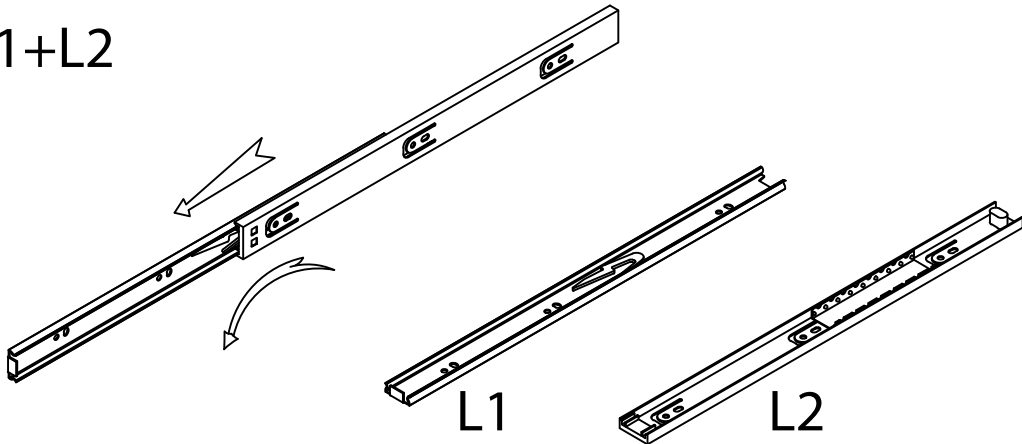
HK-0103R

3

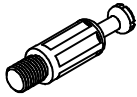


LX4

$$L=L1+L2$$



4



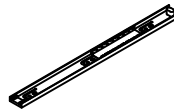
BX8



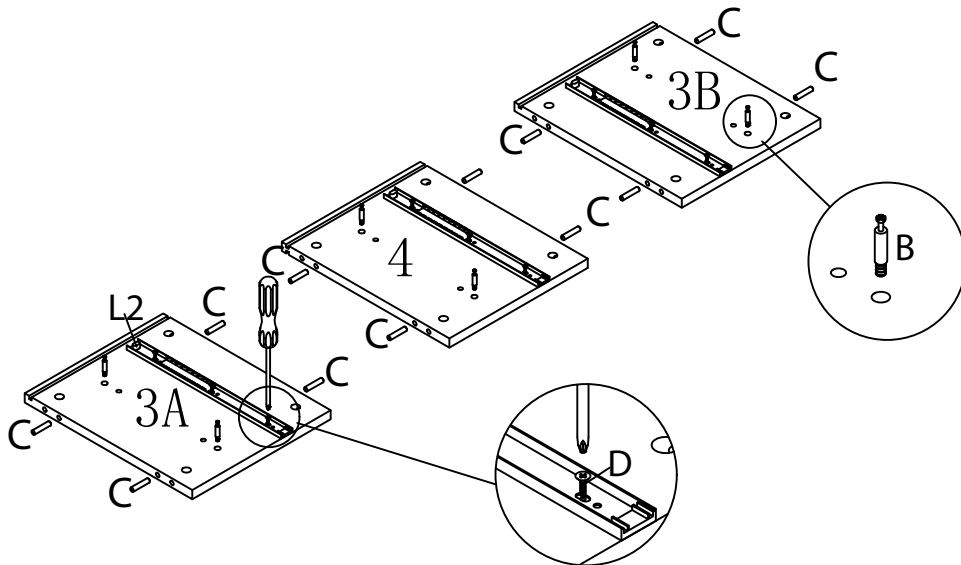
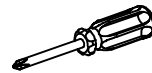
CX12



DX12



L2X4



BANAK

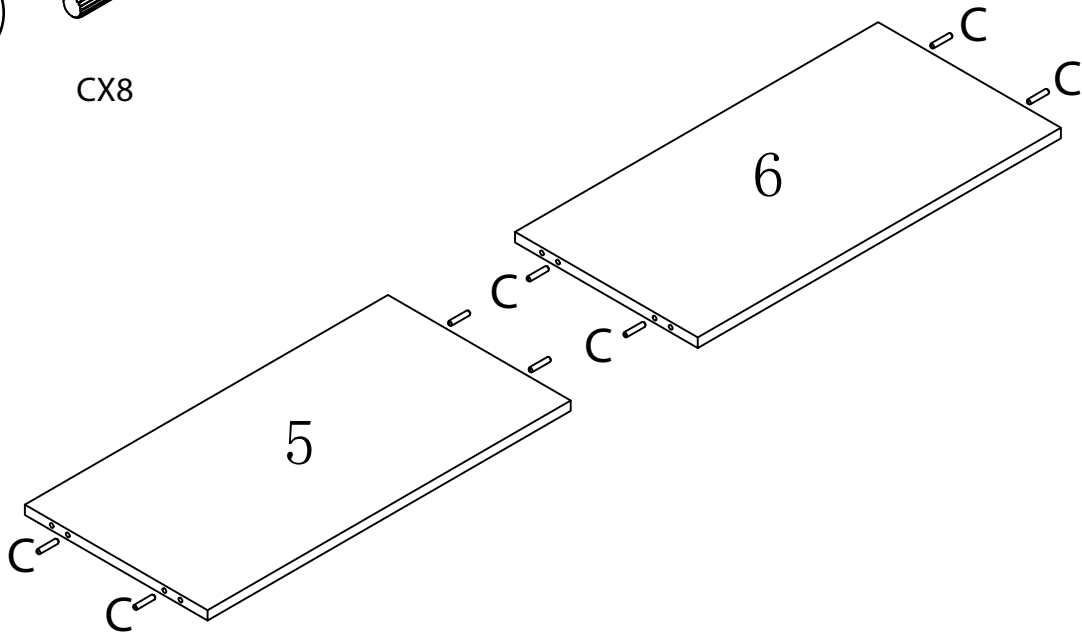
HAIKU

HK-0103R

5



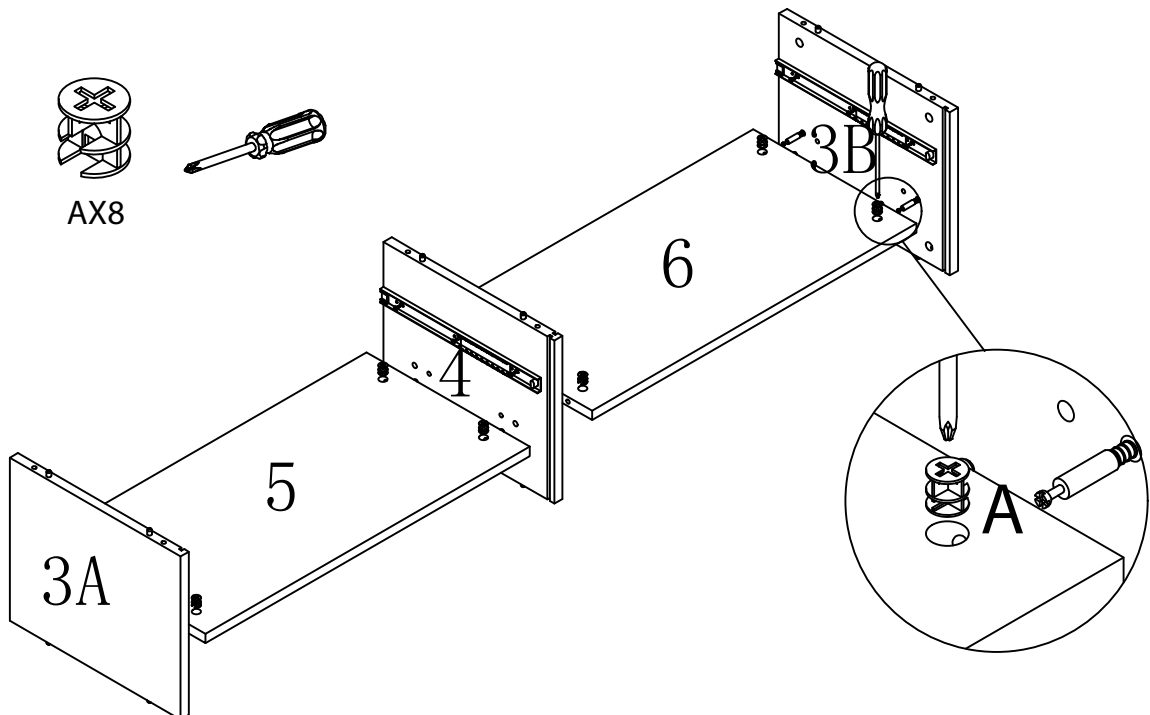
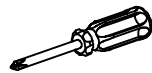
CX8



6



AX8



BANAK

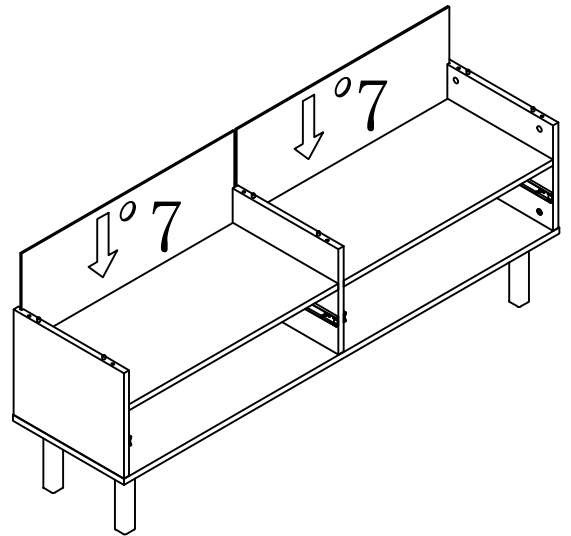
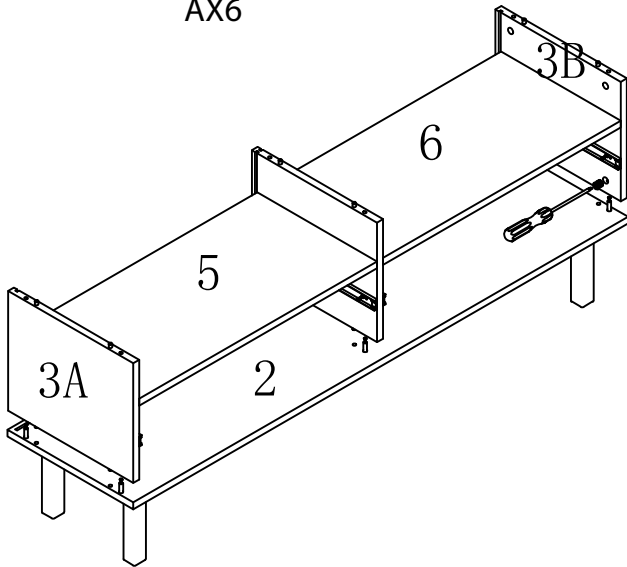
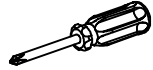
HAIKU

HK-0103R

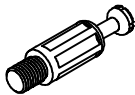
7



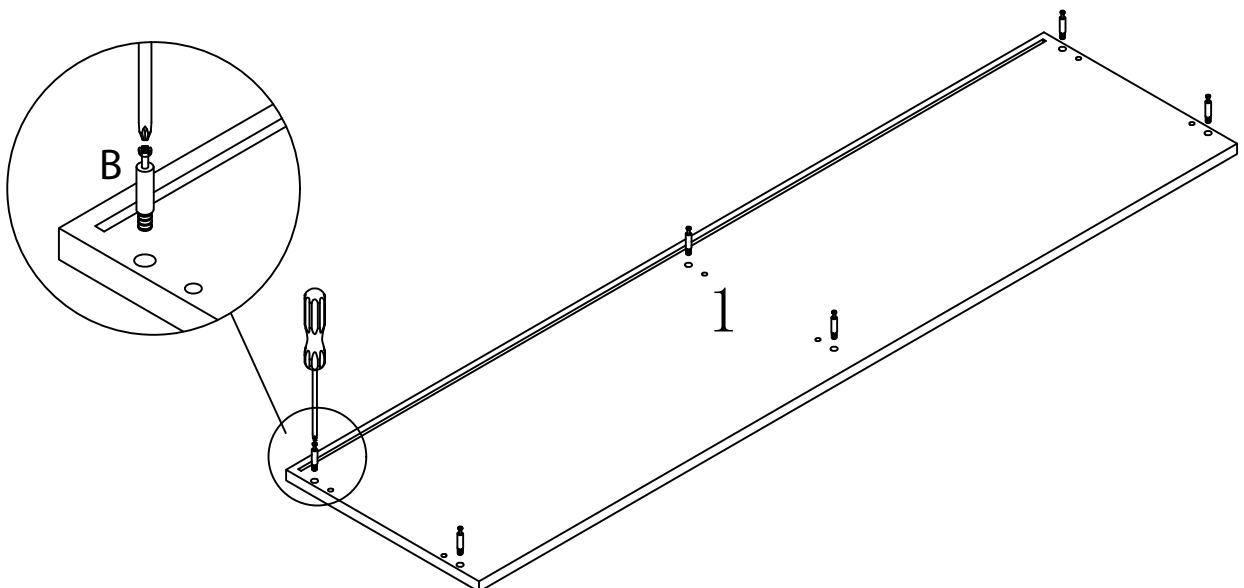
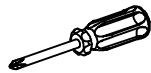
AX6



8



BX6

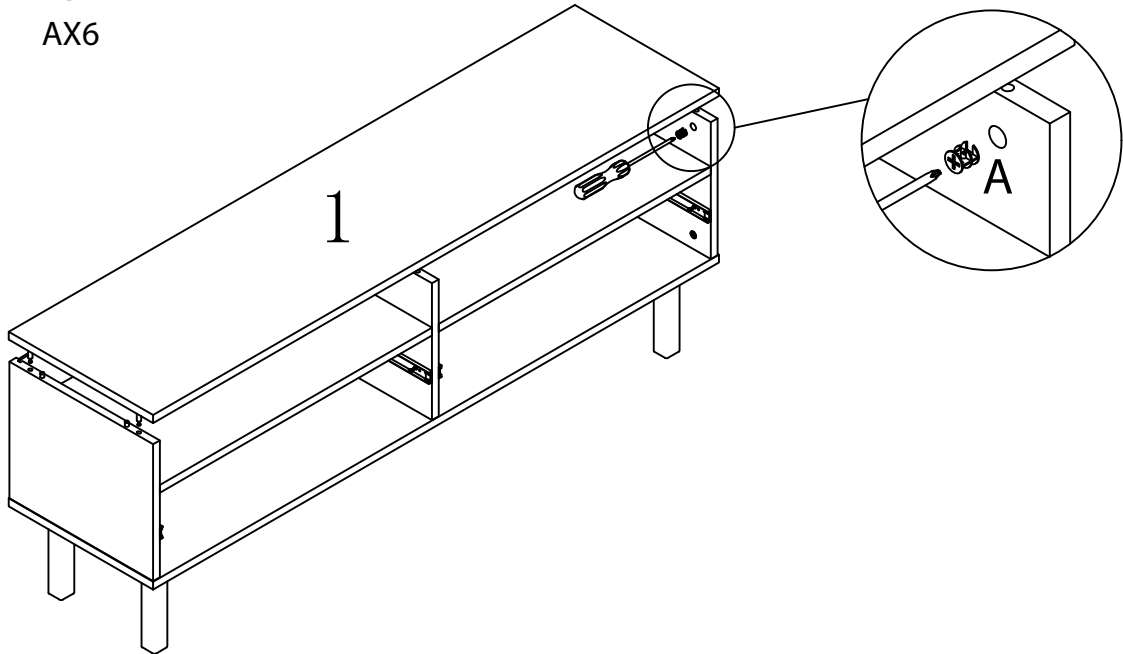
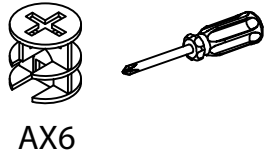


BANAK

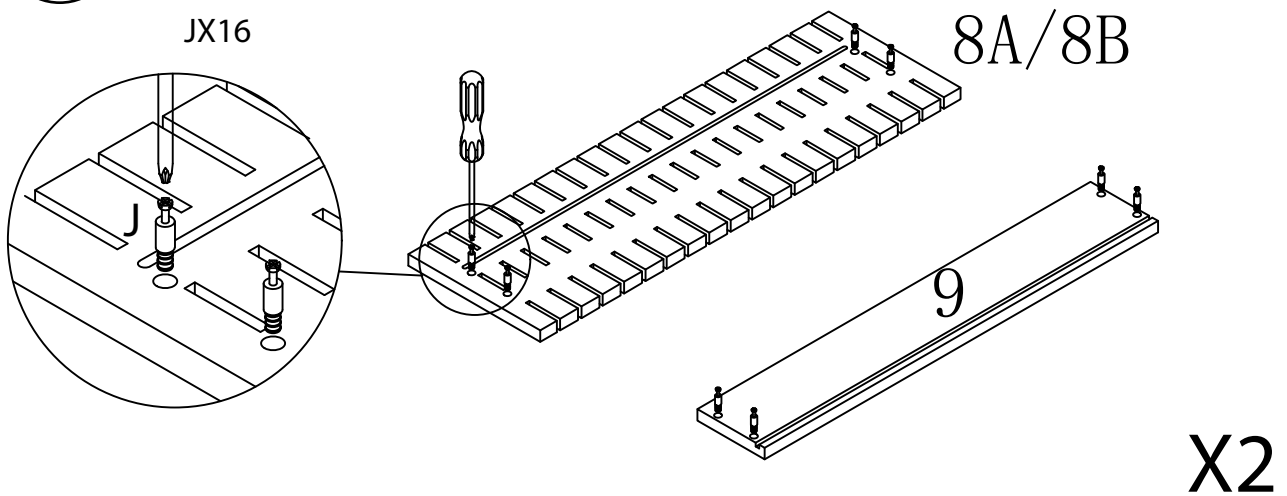
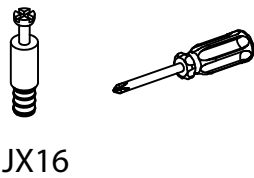
HAIKU

HK-0103R

9



10



BANAK

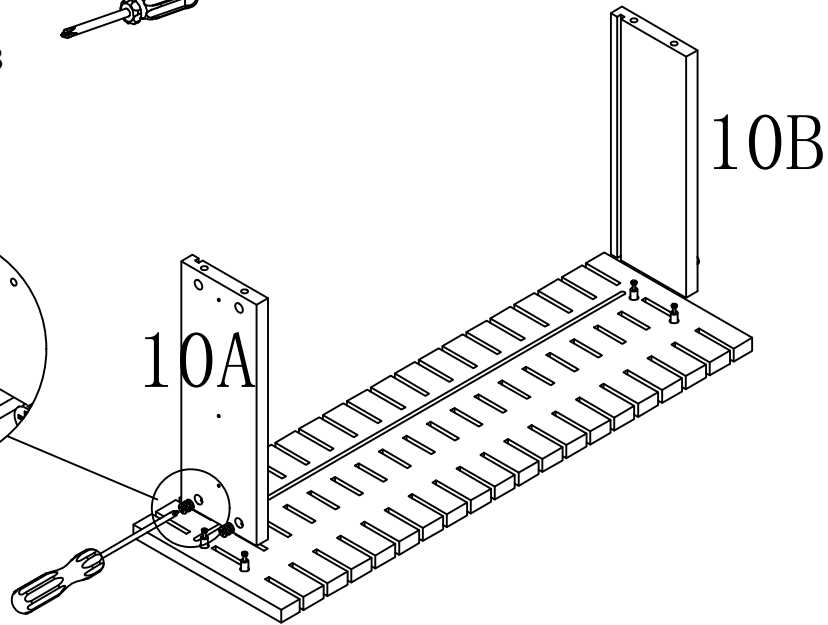
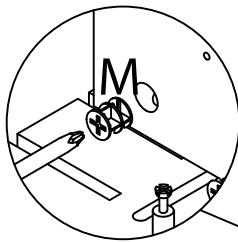
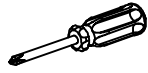
HAIKU

HK-0103R

11

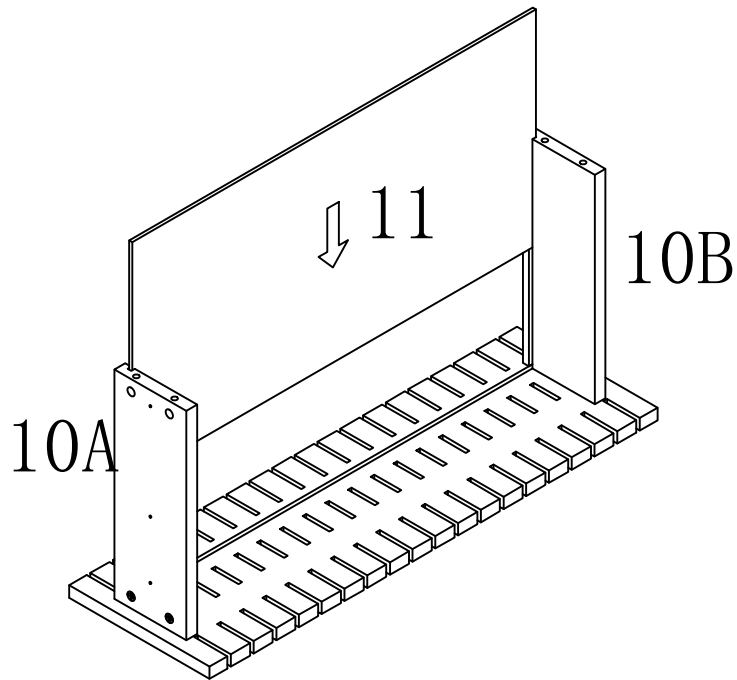


MX8



X2

12



X2

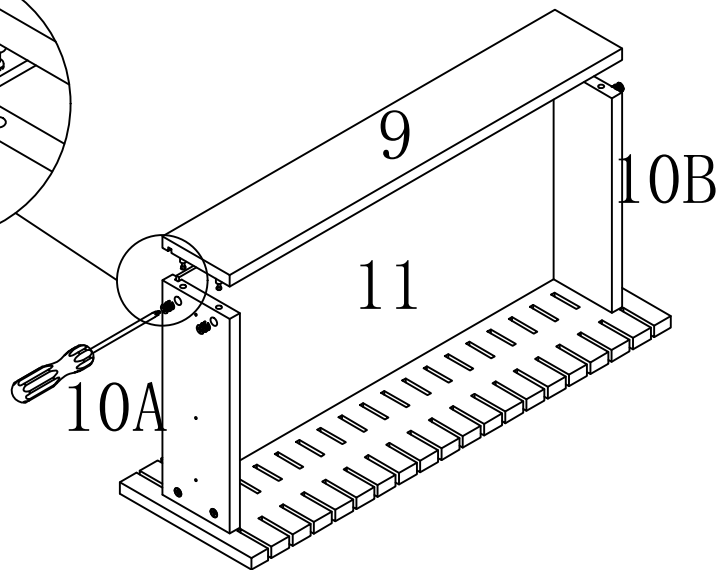
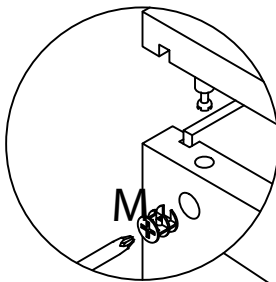
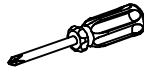
BANAK

HAIKU

HK-0103R


13


MX8



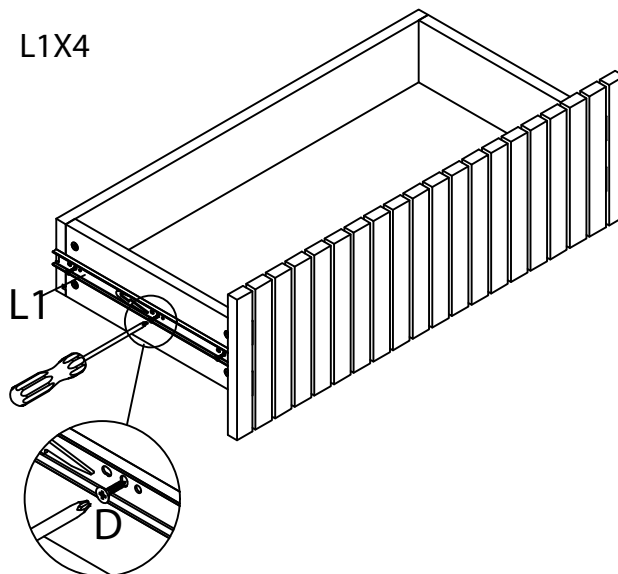
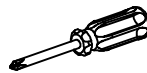
X2

14


DX12



L1X4



X2

BANAK

HAIKU

HK-0103R

15



DX8



IX8

