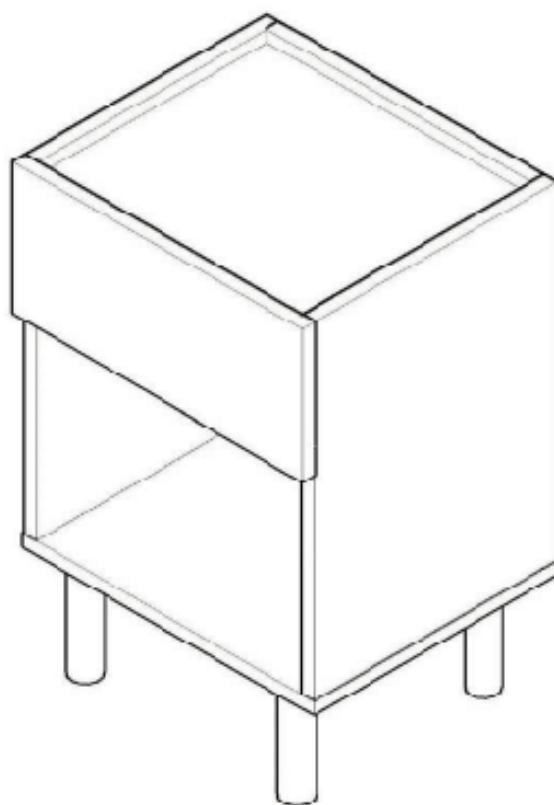


BANAK

CANES

JX-0100-2



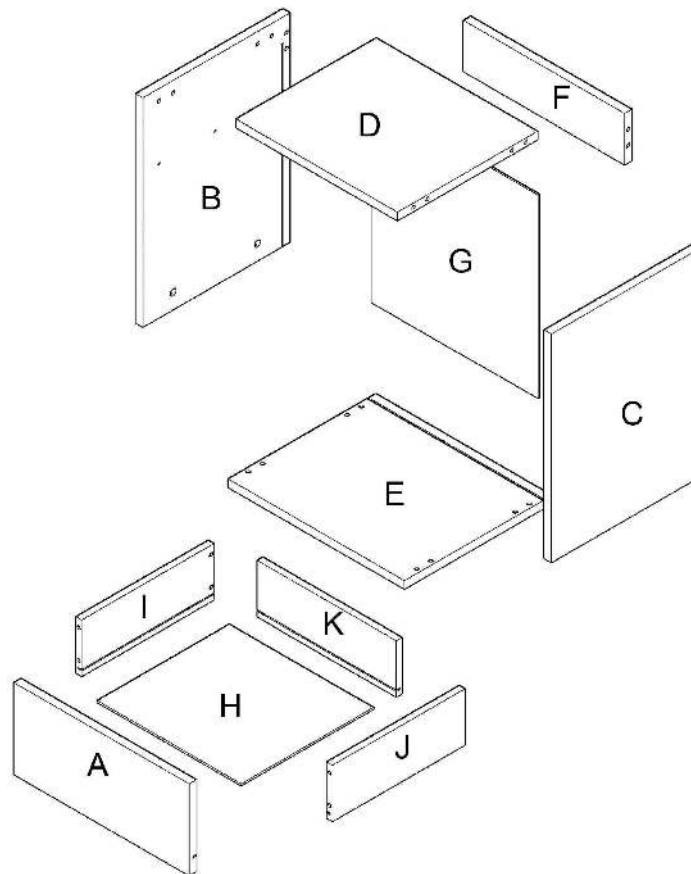
BANAK

CANES

JX-0100-2



00:45



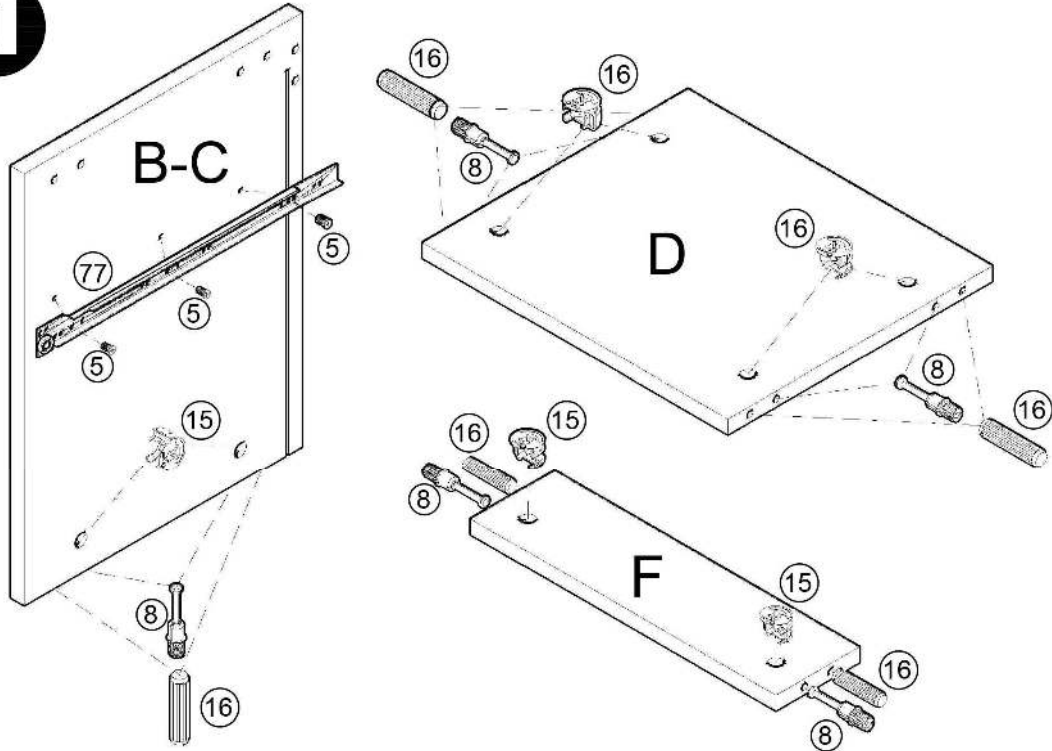
| | | | | | | | | |
|----------|----------|----------------|----------|---------|----------------|----------|----------|----------------|
| A | 1FR8919 | 398 x 180 x 16 | E | 1EN9048 | 400 x 335 x 16 | I | MCA0775I | 300 x 110 x 12 |
| B | 1LA9816I | 334 x 434 x 16 | F | 1VA9037 | 366 x 100 x 16 | J | MCA0775D | 300 x 110 x 12 |
| C | 1LA9816D | 334 x 434 x 16 | G | MTB4919 | 378 x 375 x 3 | K | MCA0776 | 315 x 110 x 12 |
| D | 1ES9148 | 366 x 318 x 16 | H | MTB4918 | 327 x 300 x 3 | | | |

BANAK

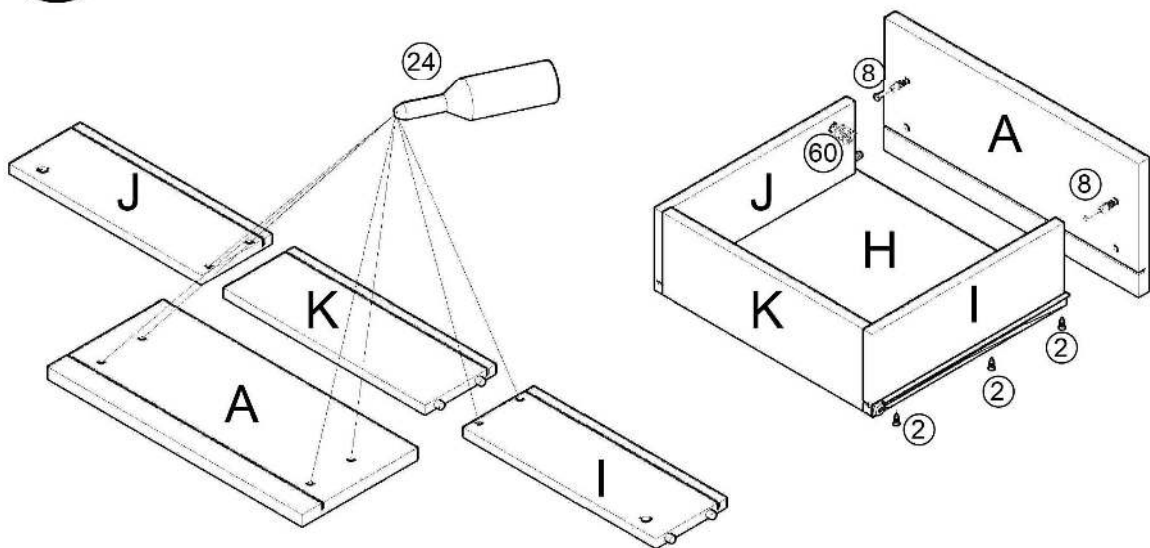
CANES

JX-0100-2

1



2

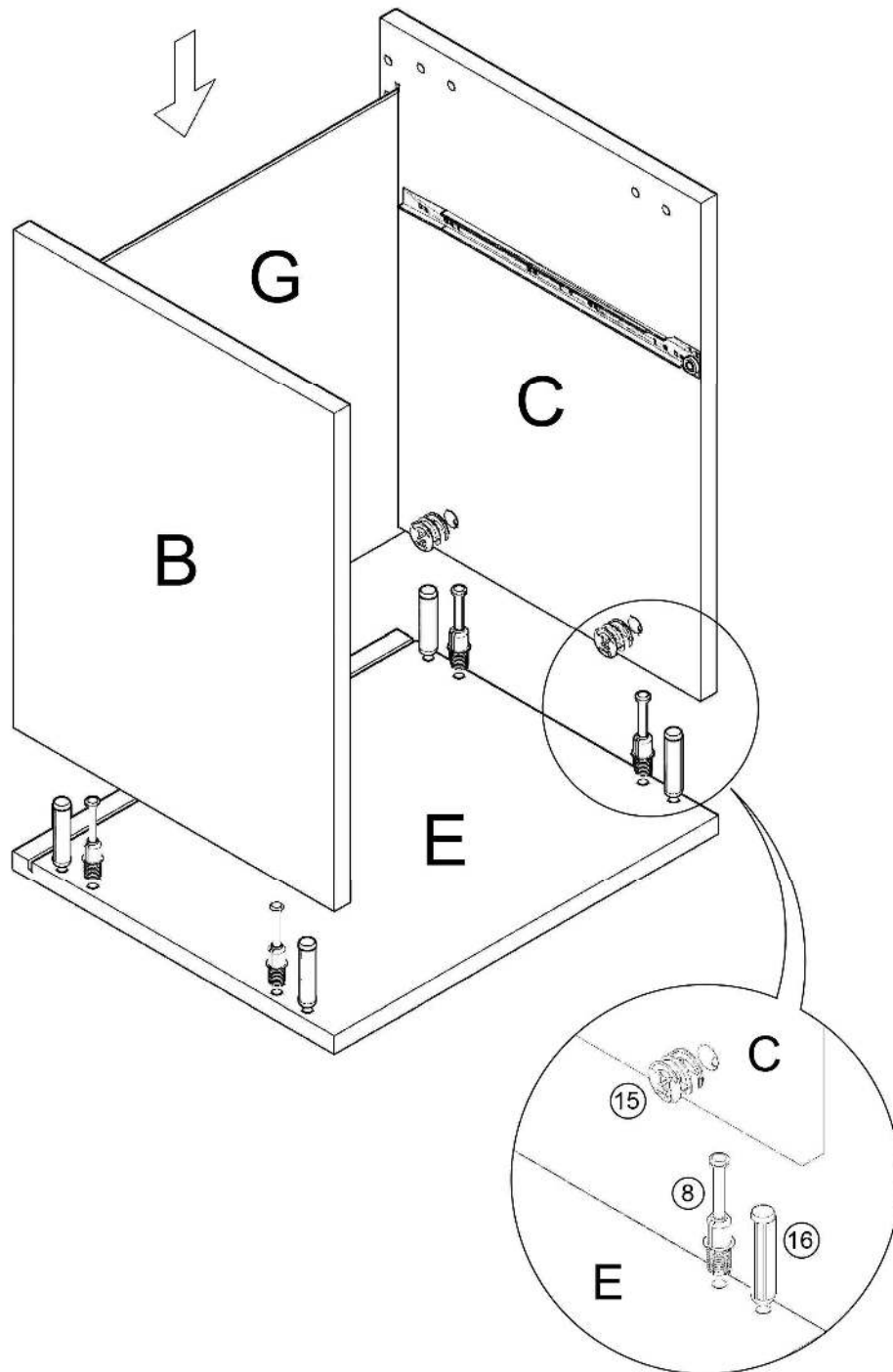


BANAK

CANES

JX-0100-2

3

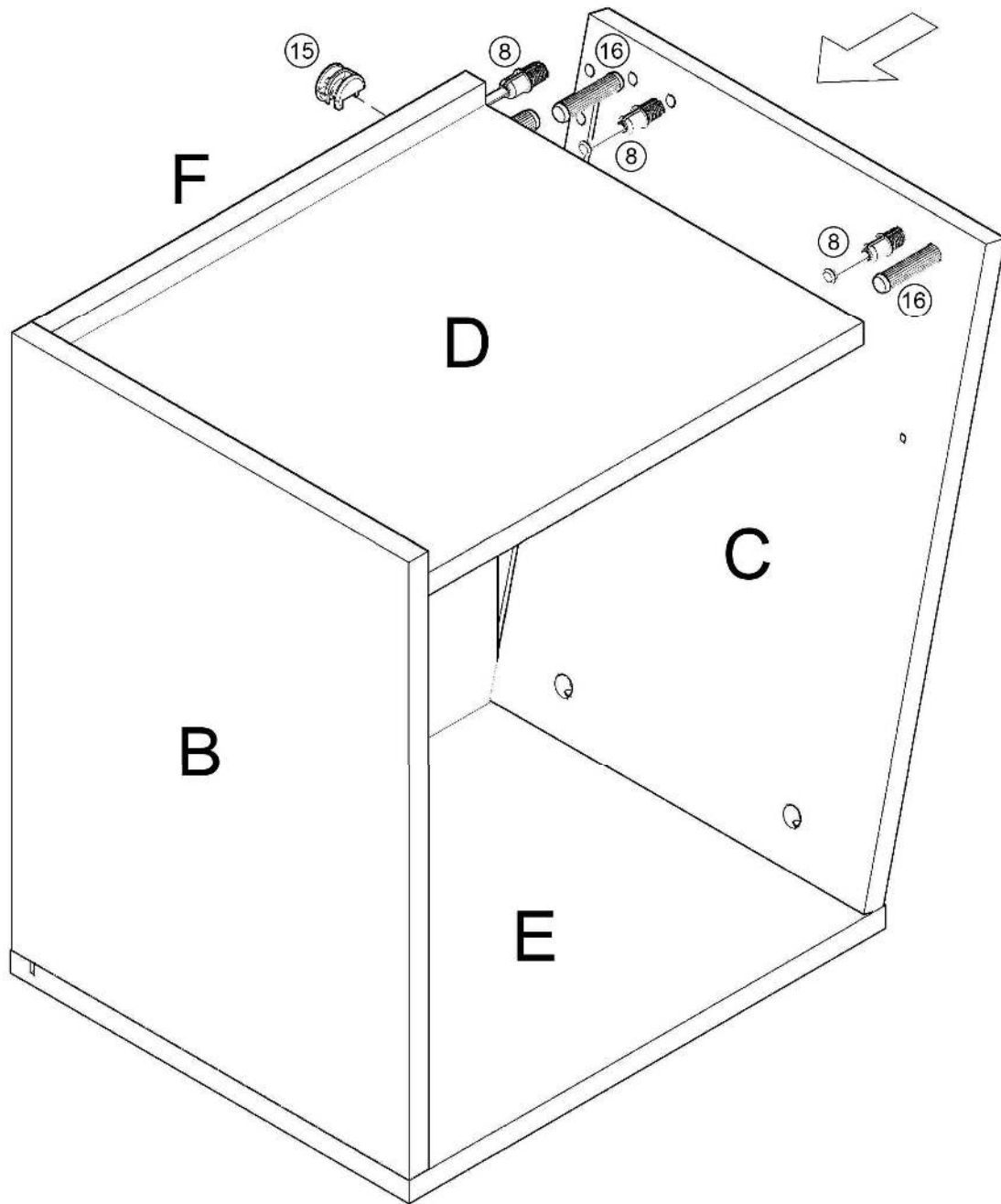


BANAK

CANES

JX-0100-2

4



BANAK

CANES

JX-0100-2

5

