

BANAK

KEHRA

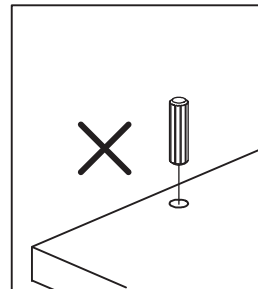
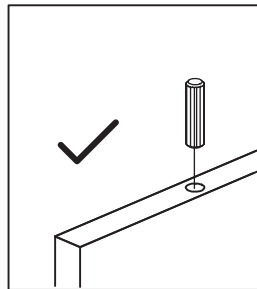
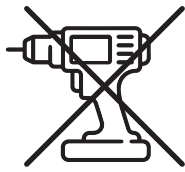
KR-0102BC



BANAK

KEHRA

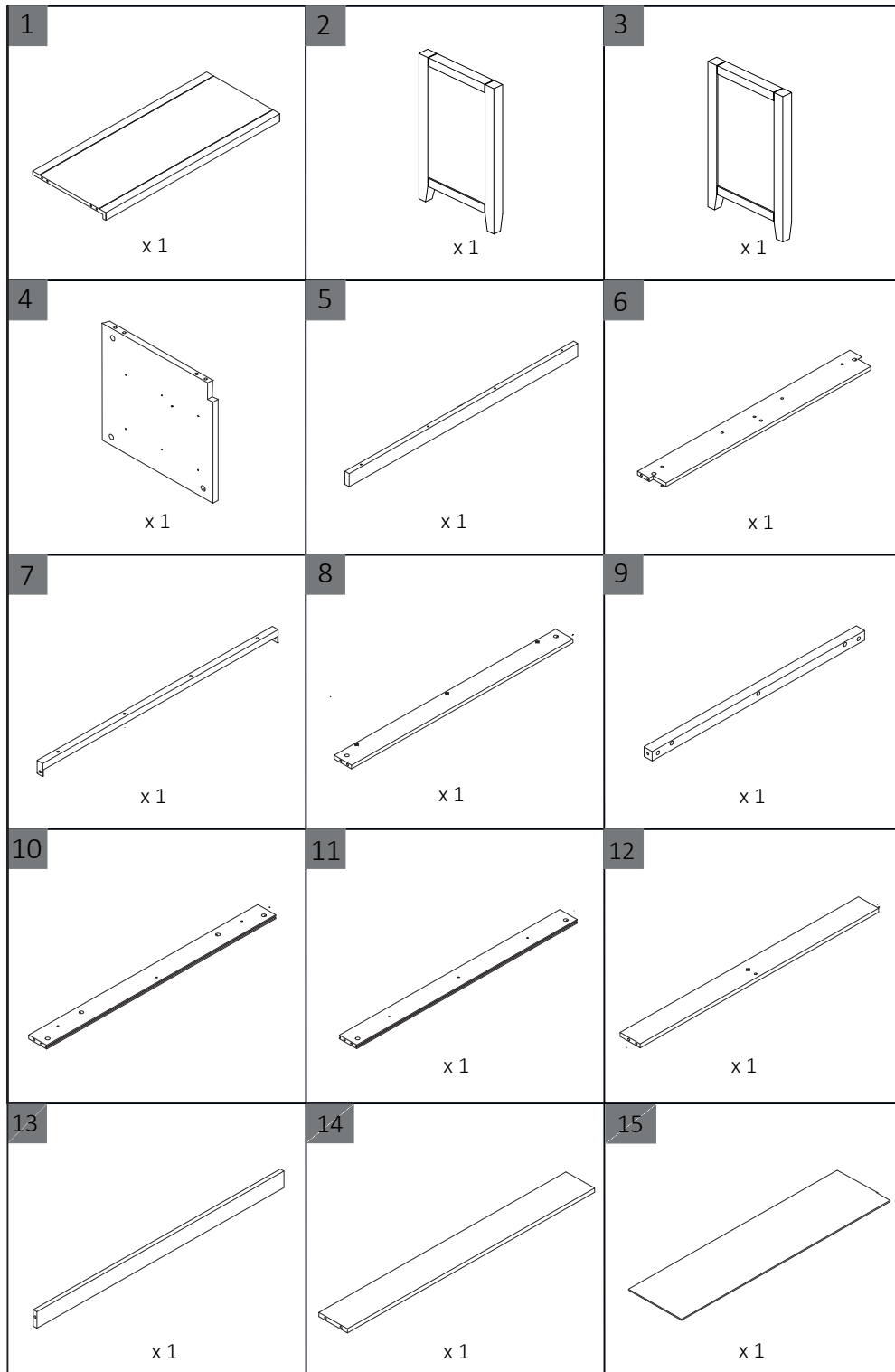
KR-0102BC



BANAK

KEHRA

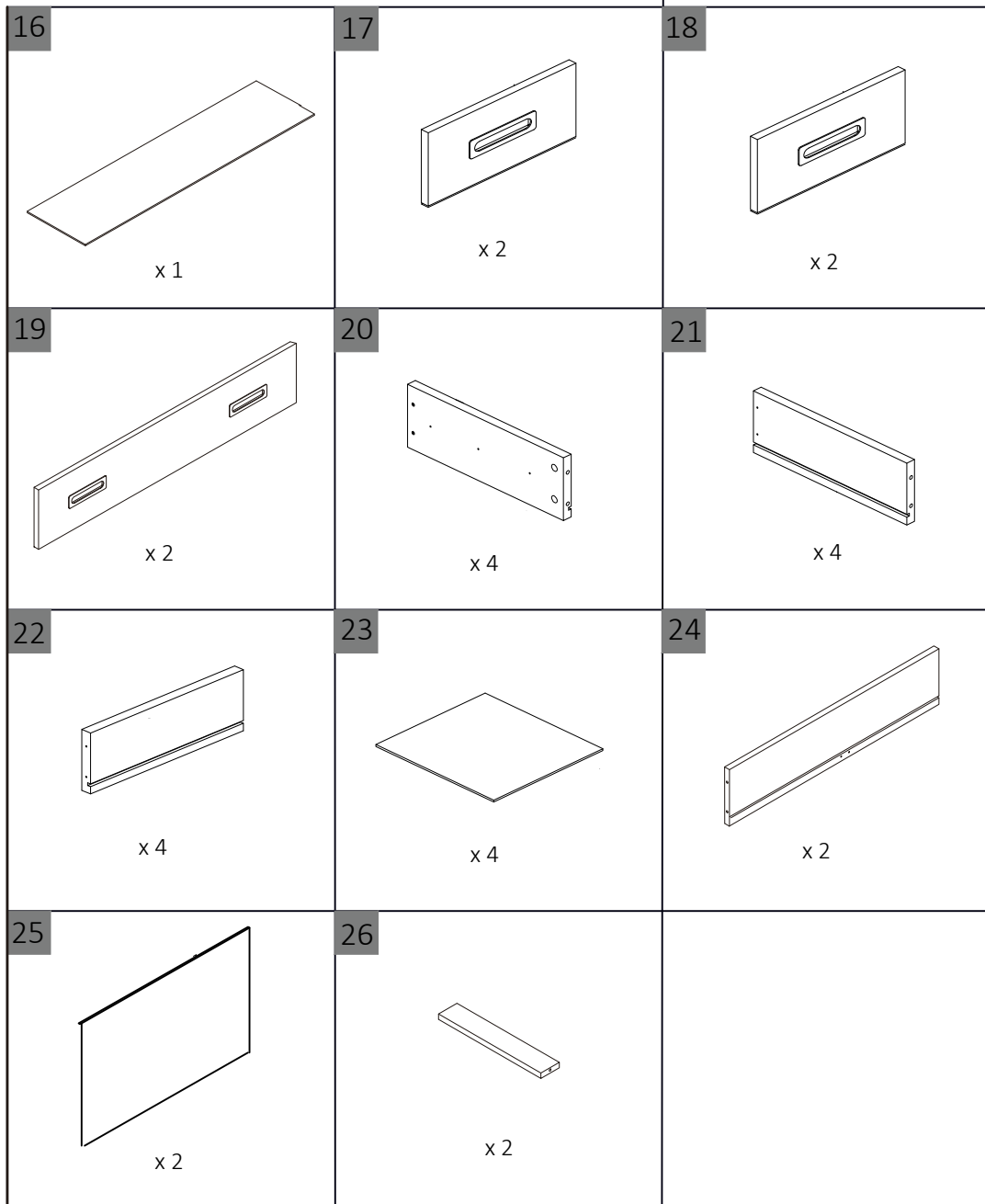
KR-0102BC



BANAK

KEHRA

KR-0102BC



BANAK

KEHRA

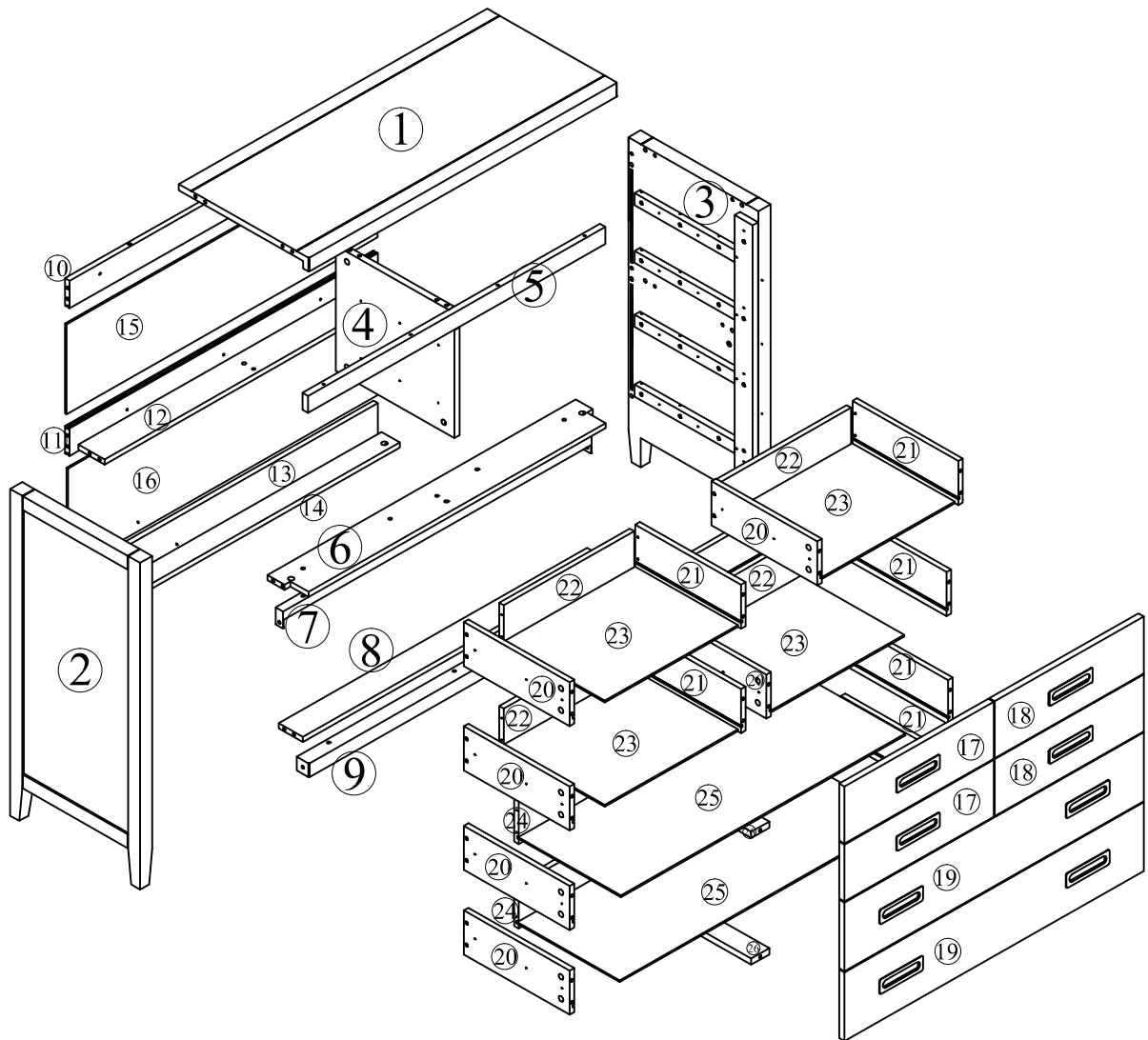
KR-0102BC



BANAK

KEHRA

KR-0102BC

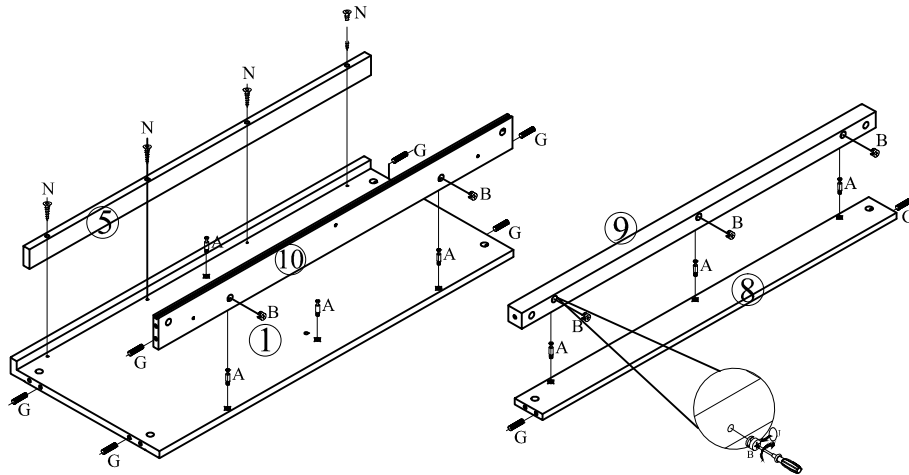
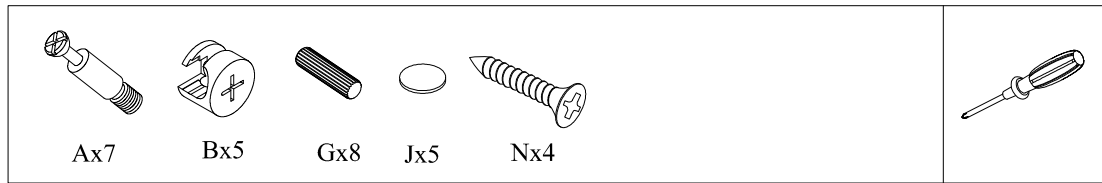


BANAK

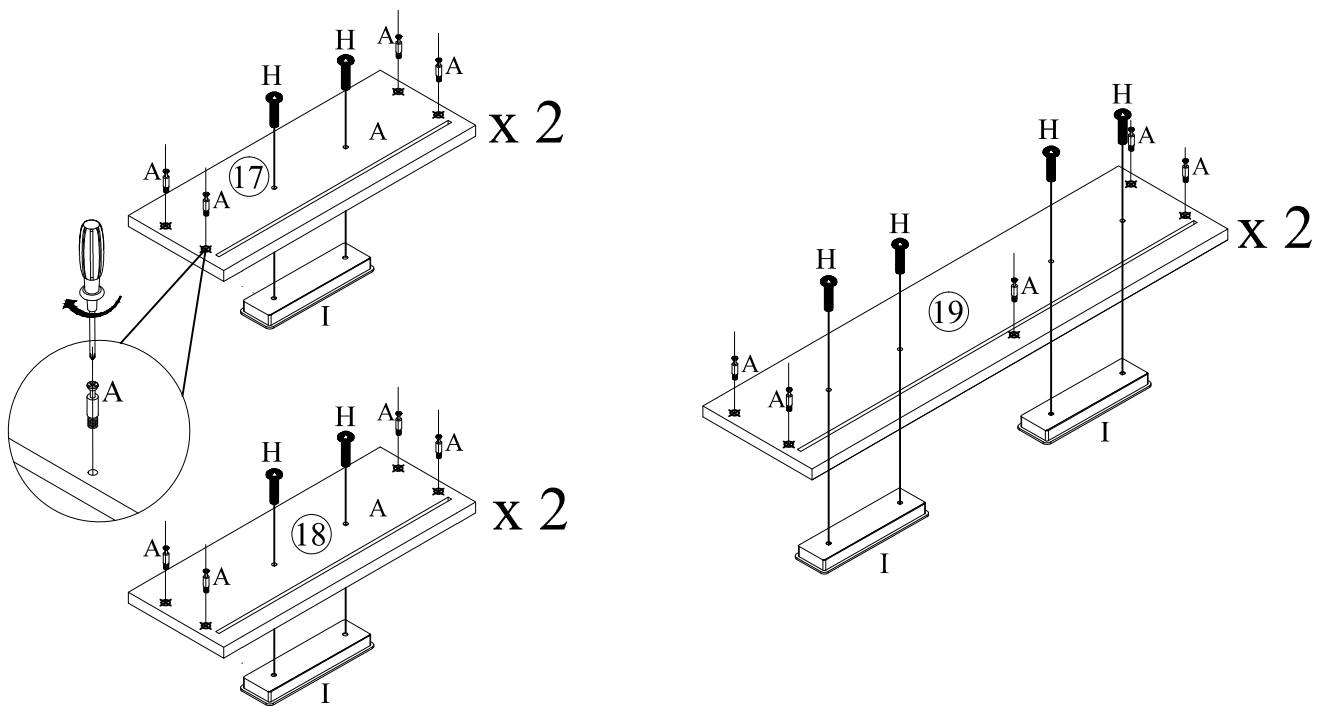
KEHRA

KR-0102BC

1



2

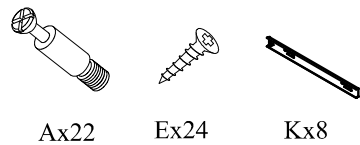


BANAK

KEHRA

KR-0102BC

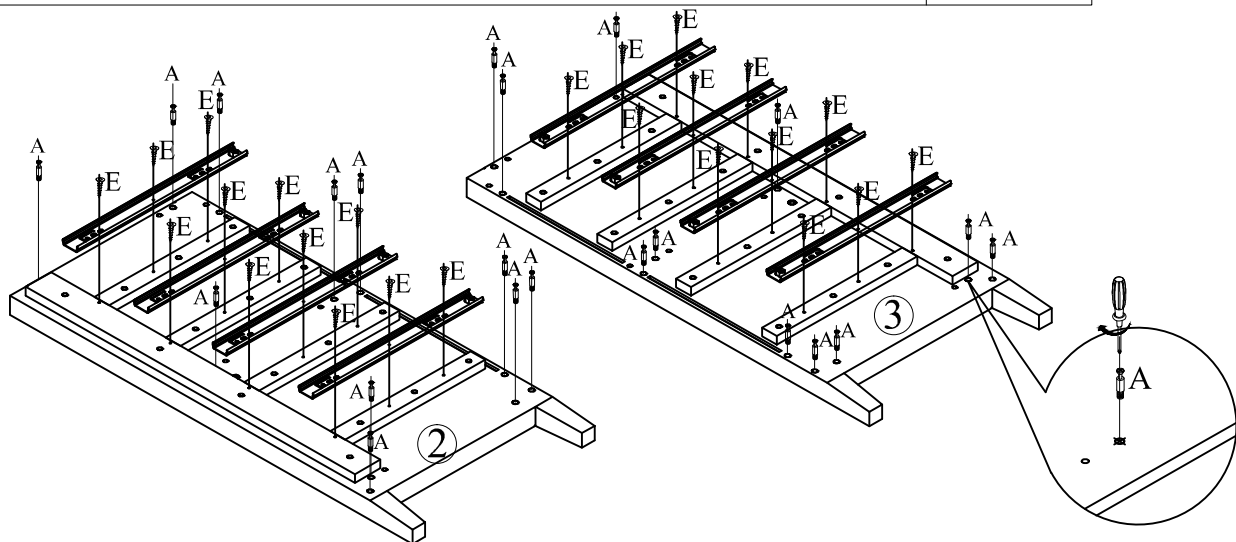
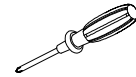
3



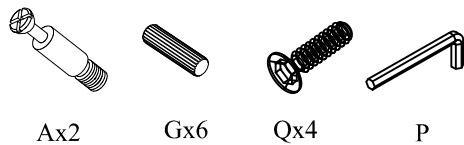
Ax22

Ex24

Kx8



4

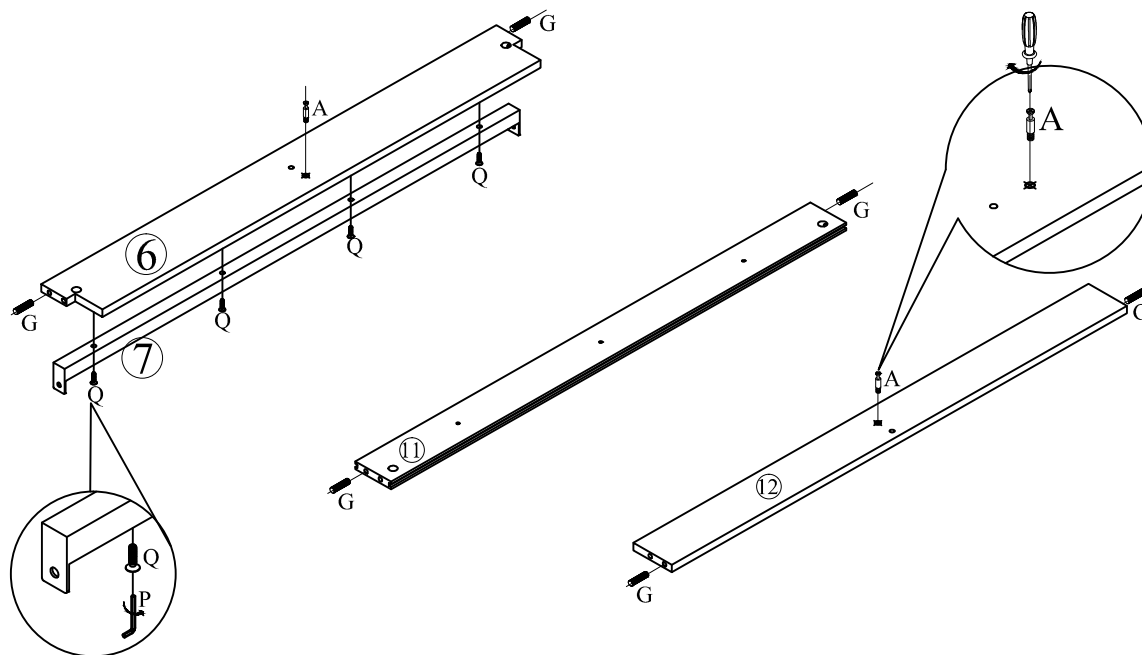
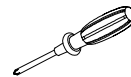


Ax2

Gx6

Qx4

P



BANAK

KEHRA

KR-0102BC

5



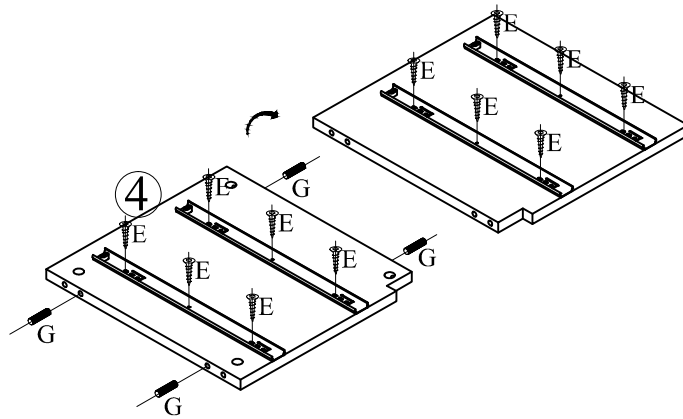
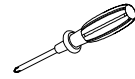
Gx4



Ex12



Kx4



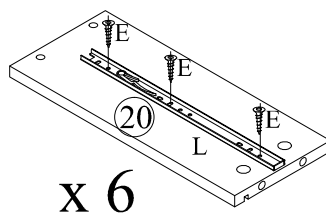
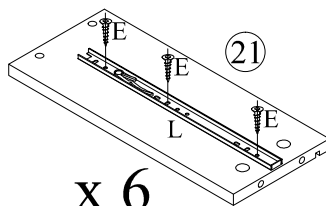
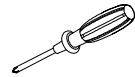
6



Ex36



Lx12

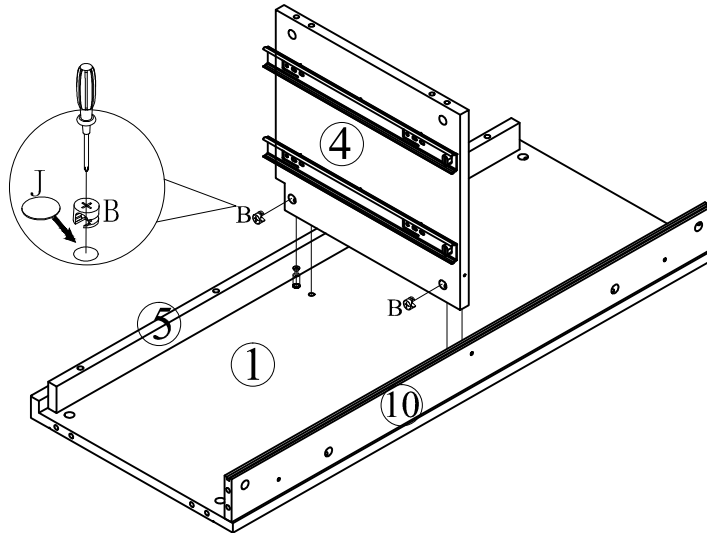
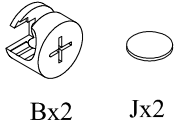


BANAK

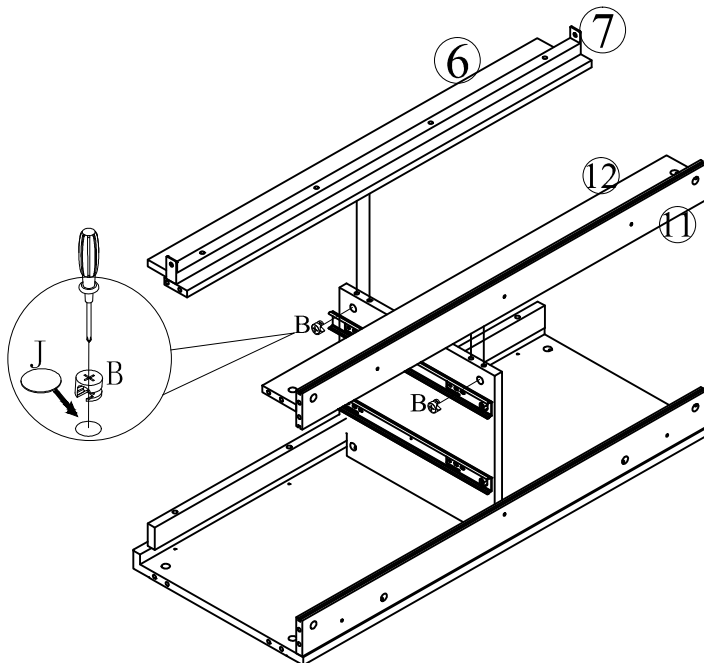
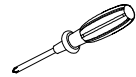
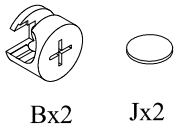
KEHRA

KR-0102BC

7



8



BANAK

KEHRA

KR-0102BC

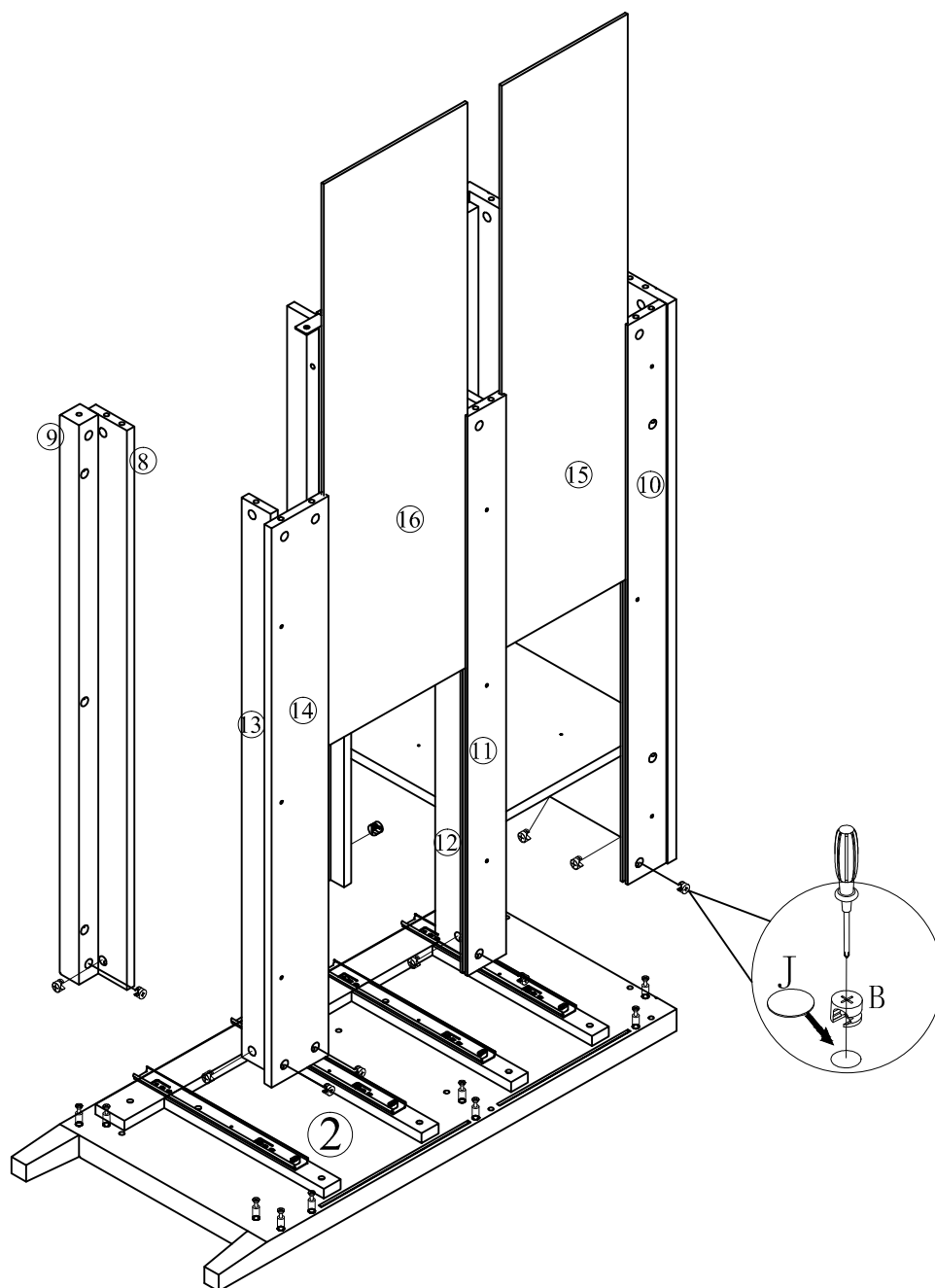
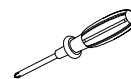
9



Bx11



Jx11



BANAK

KEHRA

KR-0102BC

10



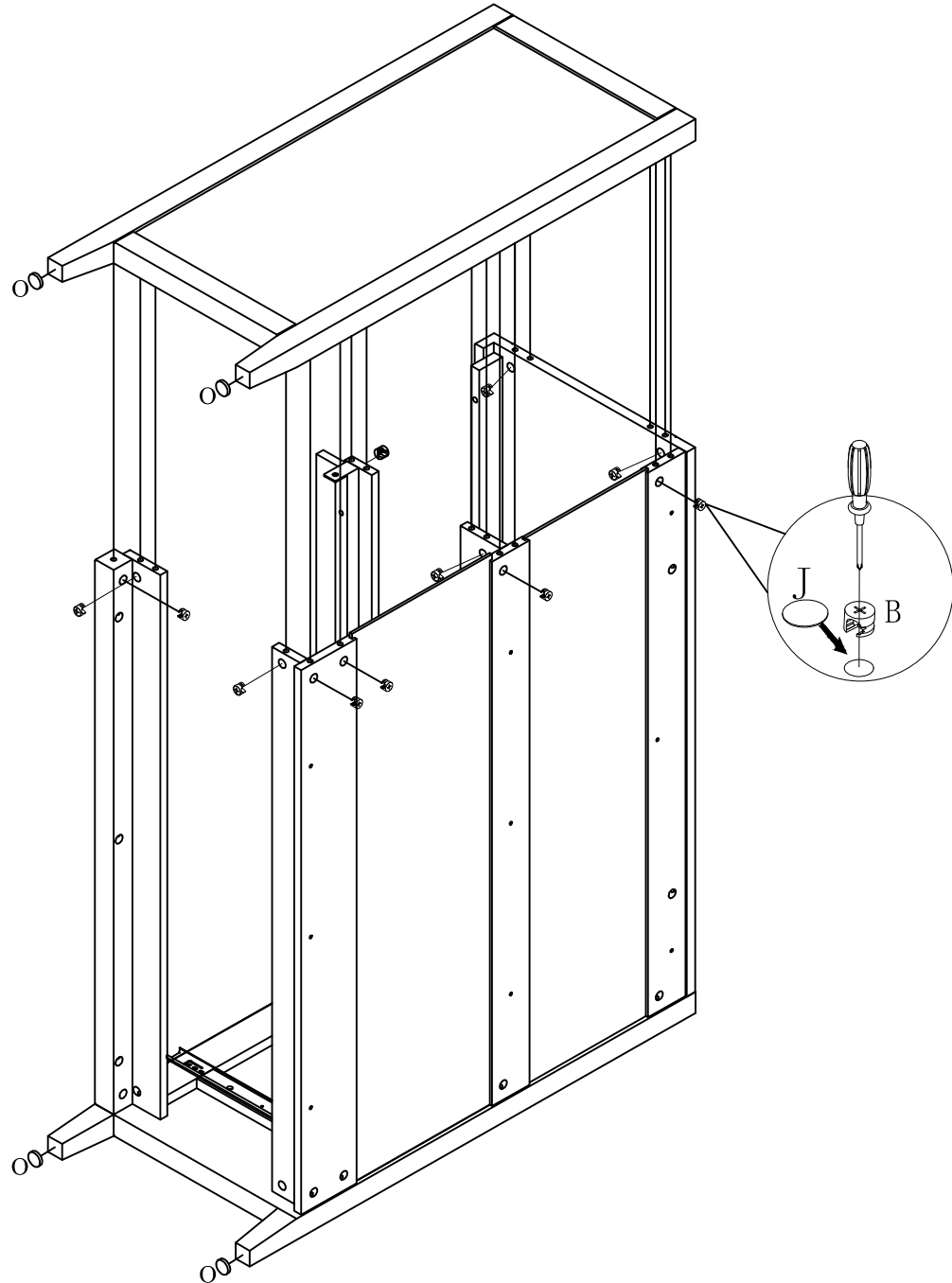
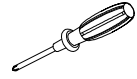
Bx11



Jx11



Ox4



BANAK

KEHRA

KR-0102BC

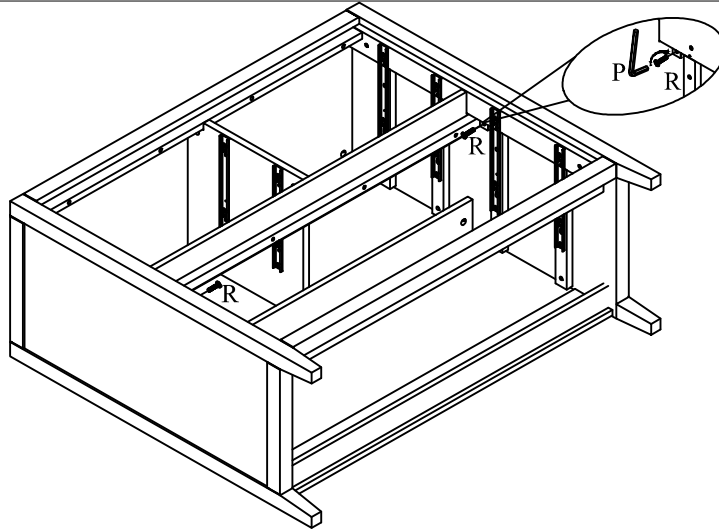
11



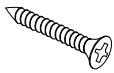
Rx2



P



12



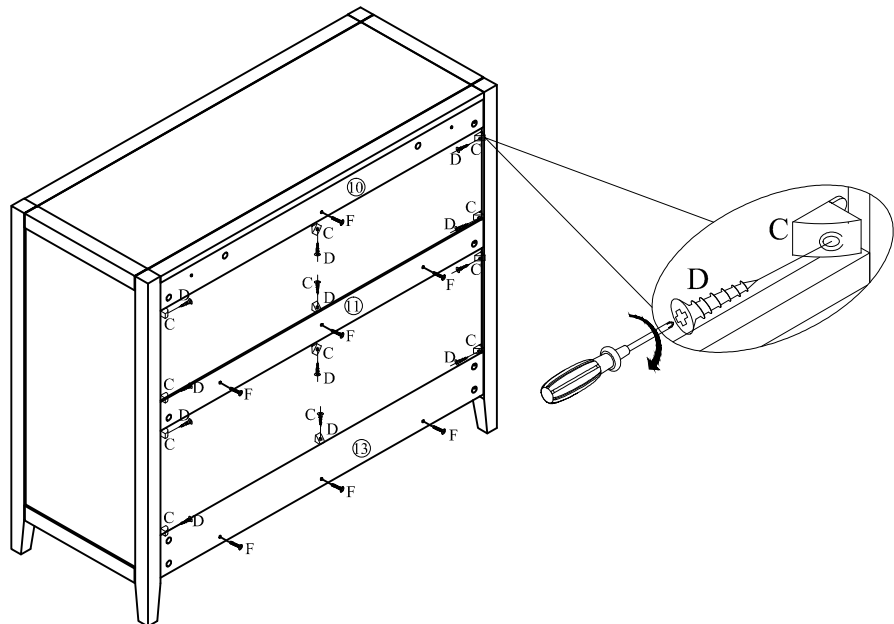
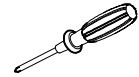
Fx7



Cx12



Dx12

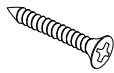


BANAK

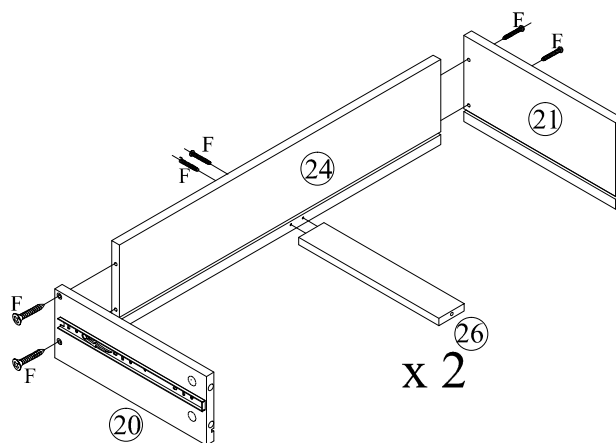
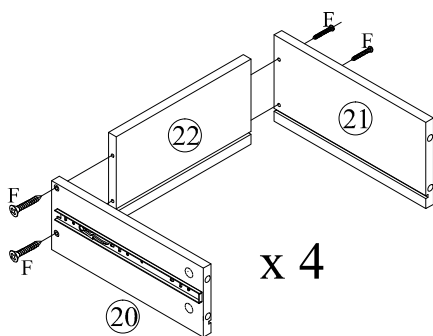
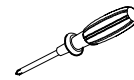
KEHRA

KR-0102BC

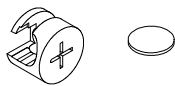
13



Fx28

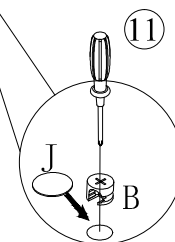
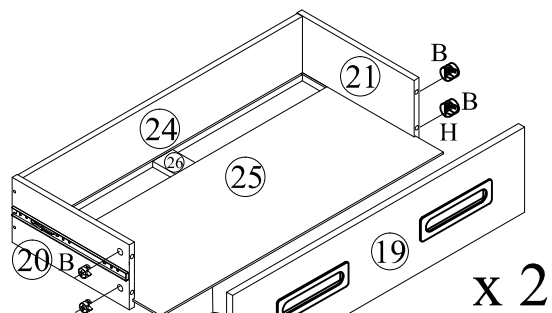
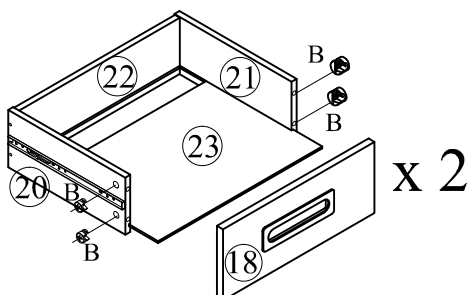
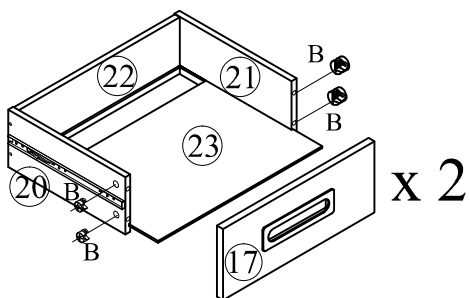
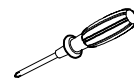


14



Bx26

Jx26

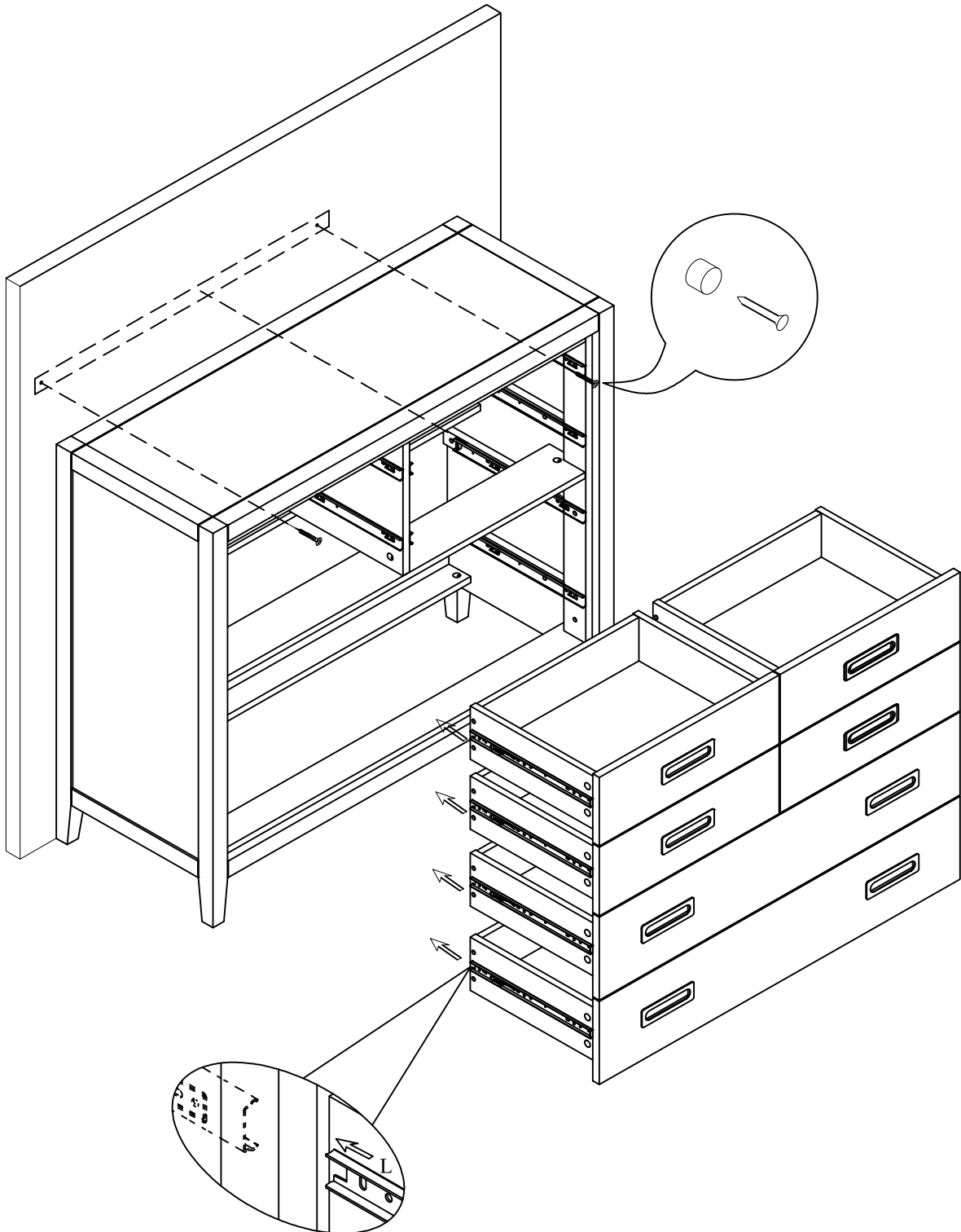


BANAK

KEHRA

KR-0102BC

15



15-15