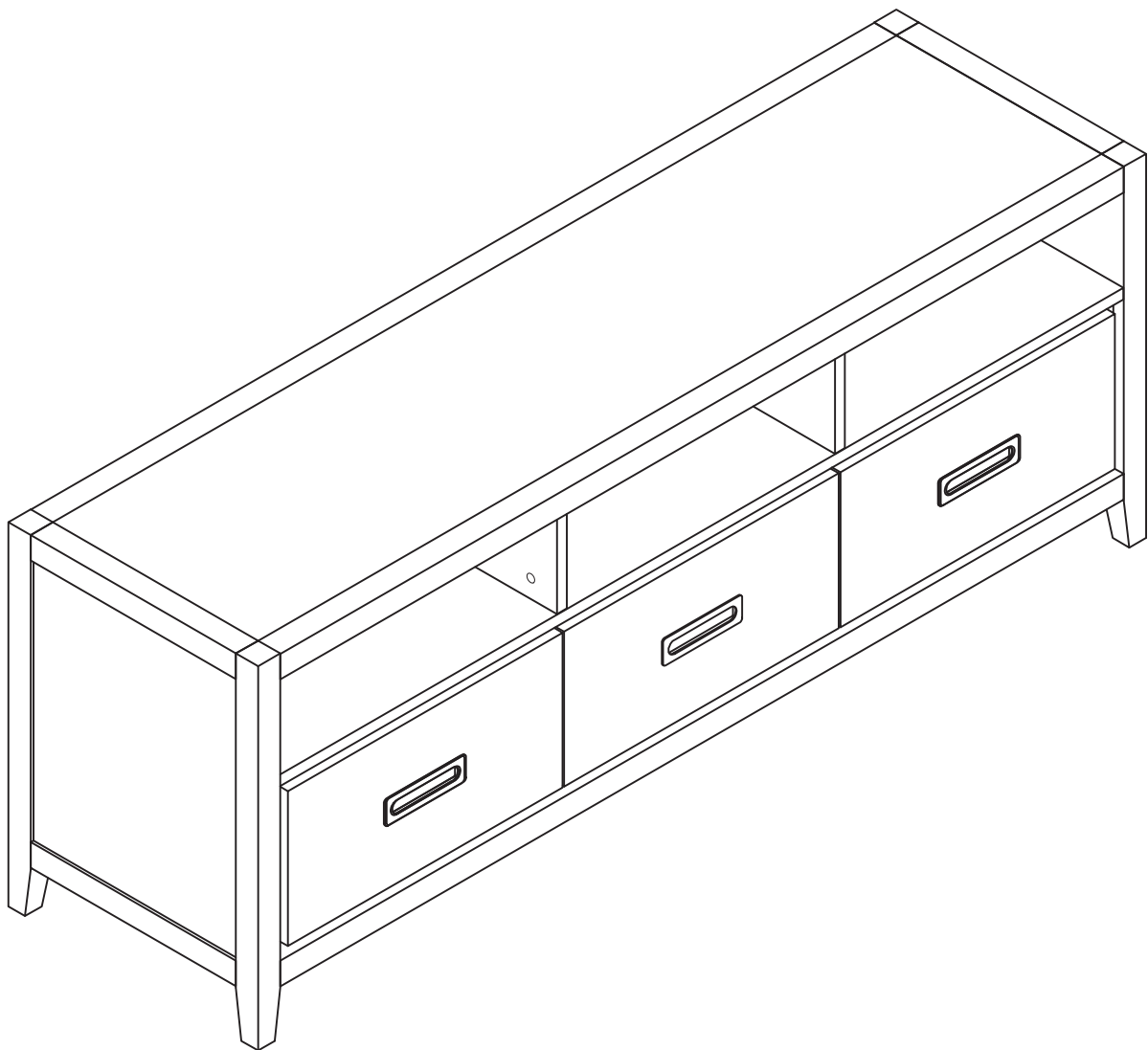


BANAK

KEHRA

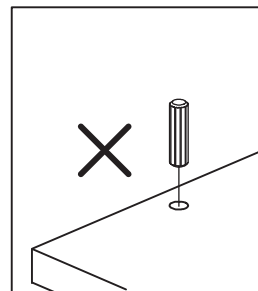
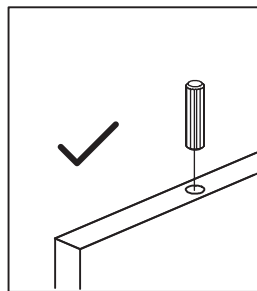
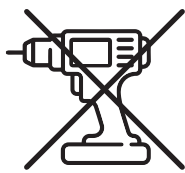
KR-0105BC



BANAK

KEHRA

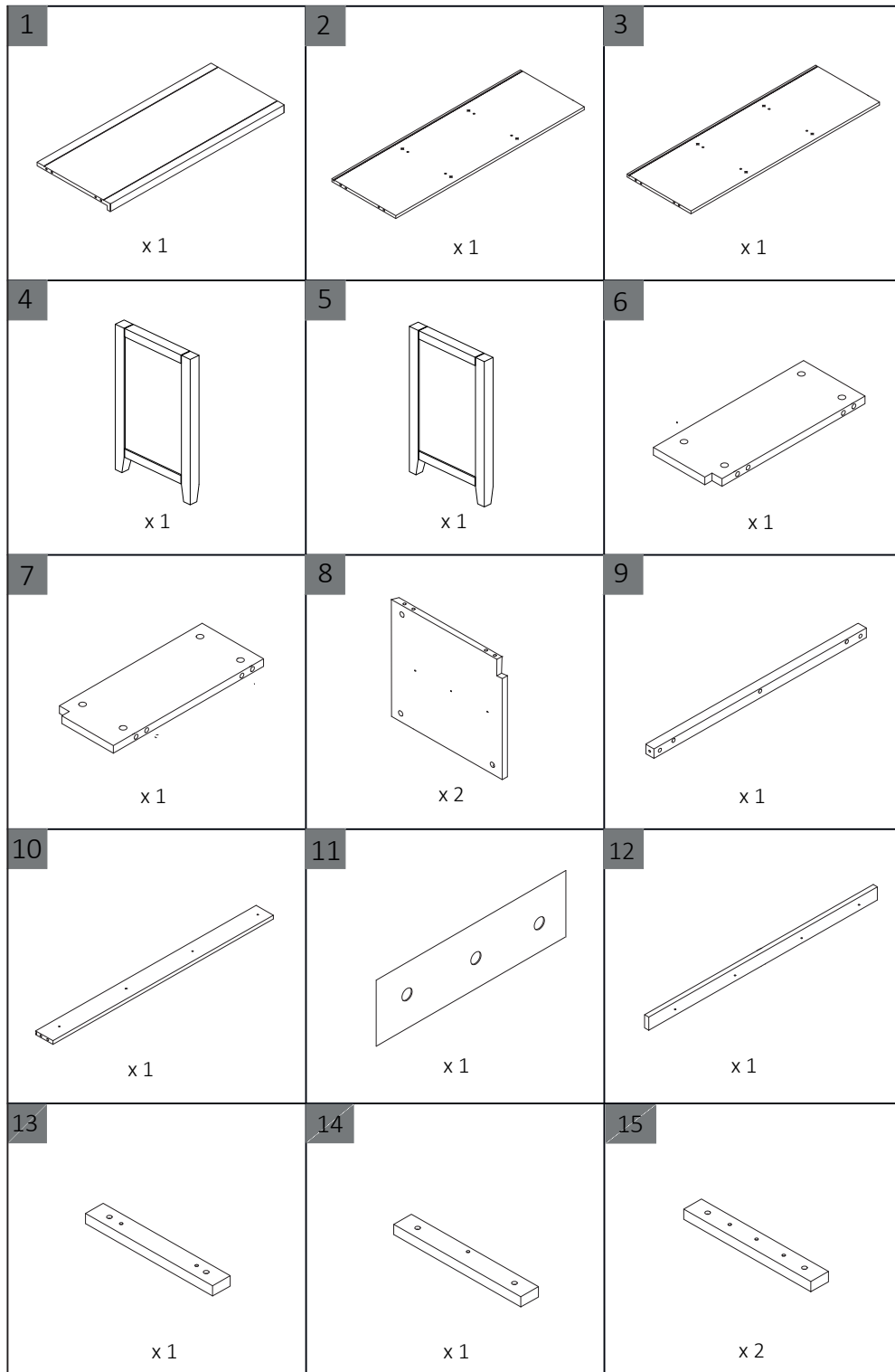
KR-0105BC



BANAK

KEHRA

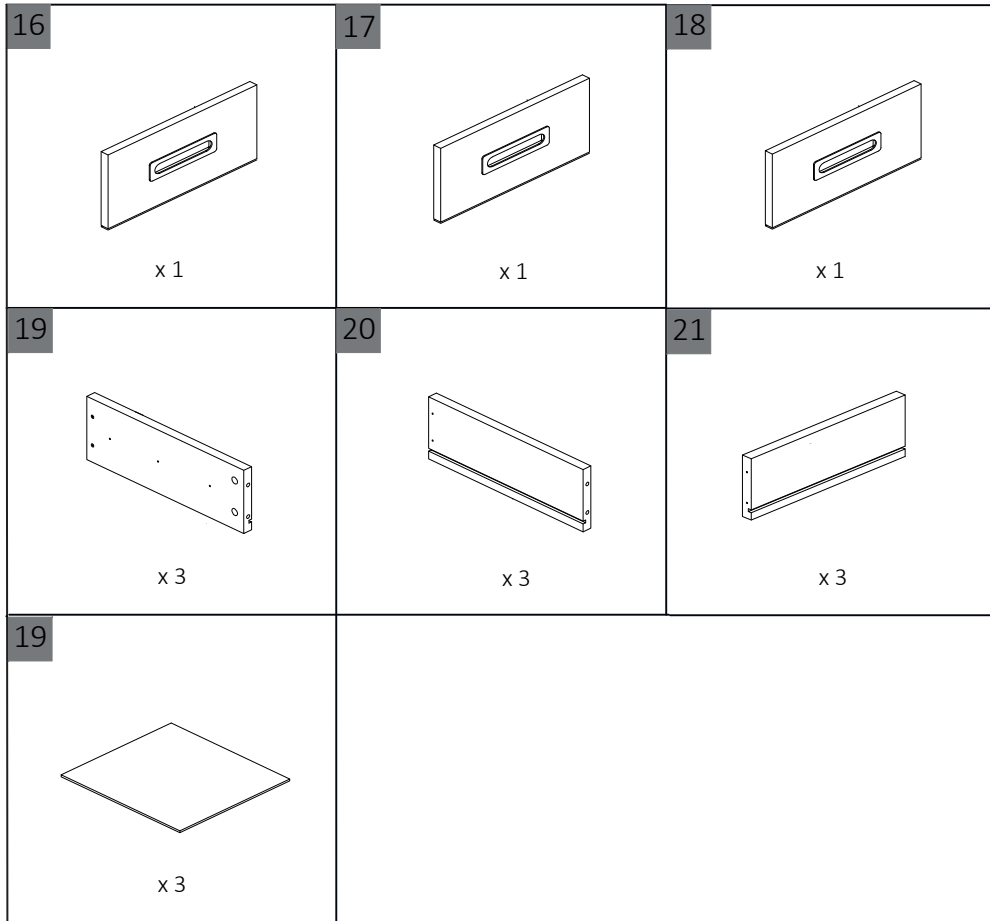
KR-0105BC

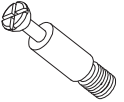
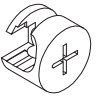
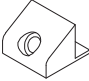


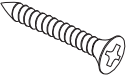


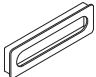




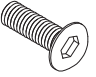





BANAK

KEHRA

KR-0105BC

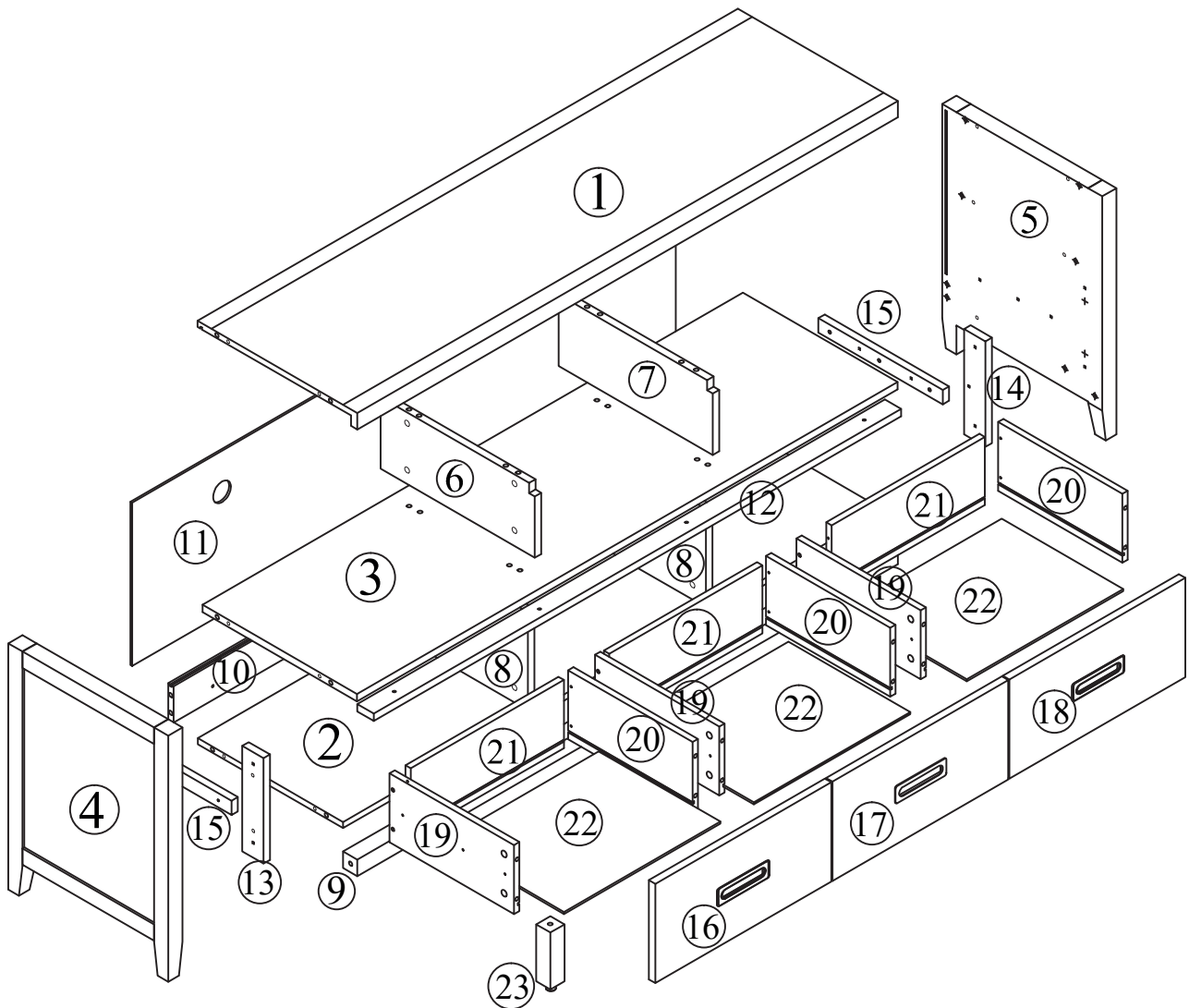


 <p>L=35 Ax46</p>	 <p>Ø15 Bx46</p>	 <p>Cx6</p>	 <p>Ø3x18 Dx6</p>	 <p>Ø3.5x12 Ex36</p>	 <p>Ø3.5x30 Fx12</p>
 <p>Ø8x30 Gx28</p>	 <p>M4x15 Hx6</p>	 <p>Ix3</p>	 <p>Ø20 Jx40</p>	 <p>L=350 Kx6</p>	 <p>L=350 Lx6</p>
 <p>Ø4x25 Mx14</p>	 <p>M6x30 Nx1</p>	 <p>Ø25x5 Ox4</p>	 <p>Px1</p>	 <p>M4 Qx1</p>	

BANAK

KEHRA

KR-0105BC

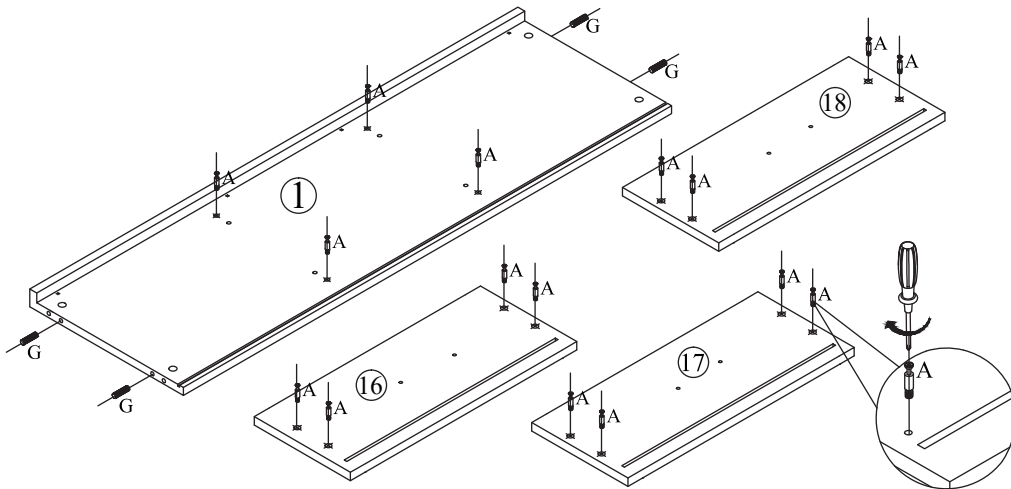


BANAK

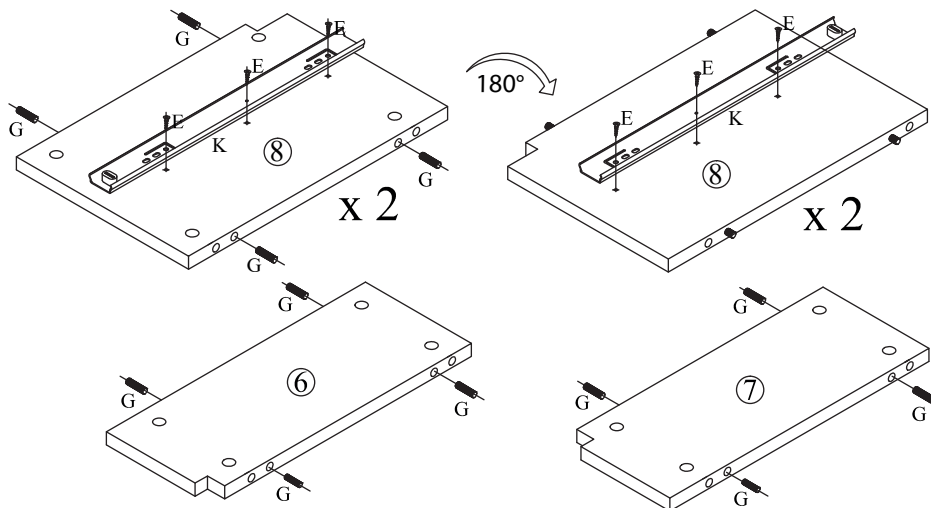
KEHRA

KR-0105BC

1



2

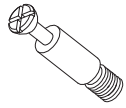


BANAK

KEHRA

KR-0105BC

3



Ax18



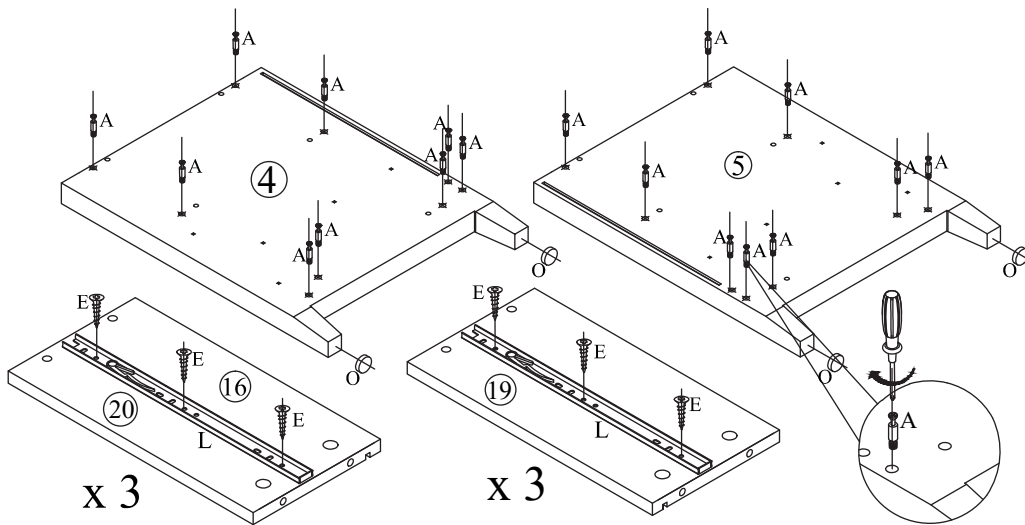
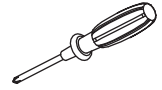
Ex18



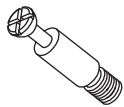
Lx6



Ox4



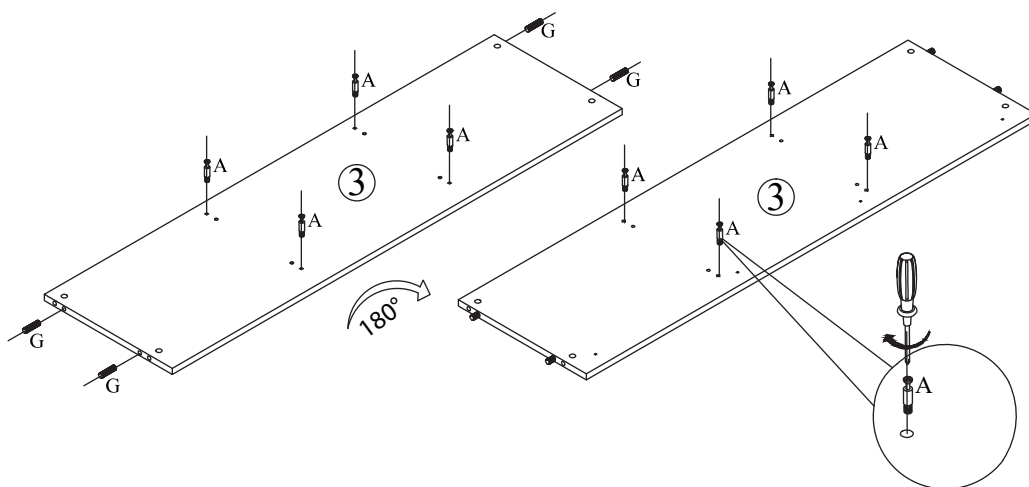
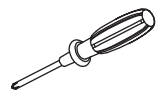
4



Ax8



Gx4

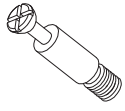


BANAK

KEHRA

KR-0105BC

5



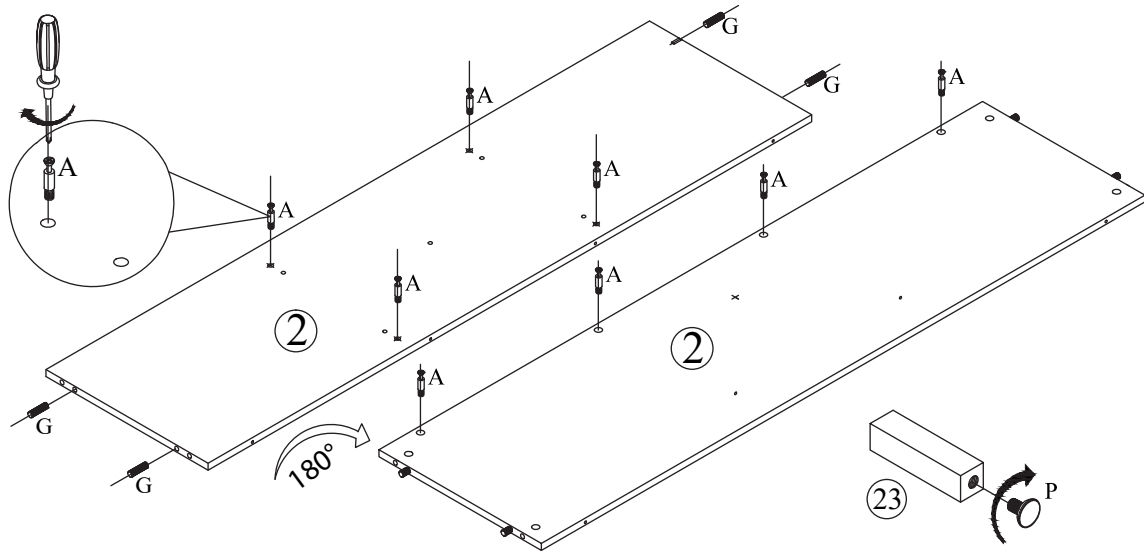
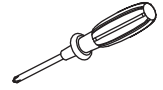
Ax8



Gx4



Px1



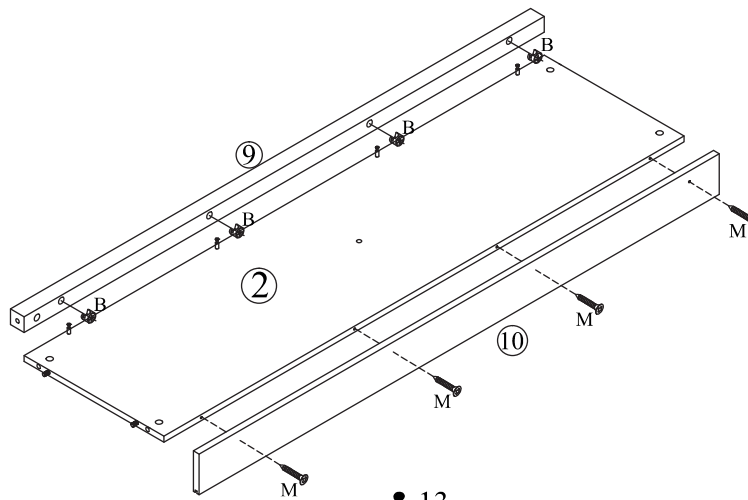
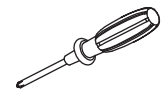
6



Bx4



Mx4



13

BANAK

KEHRA

KR-0105BC

7



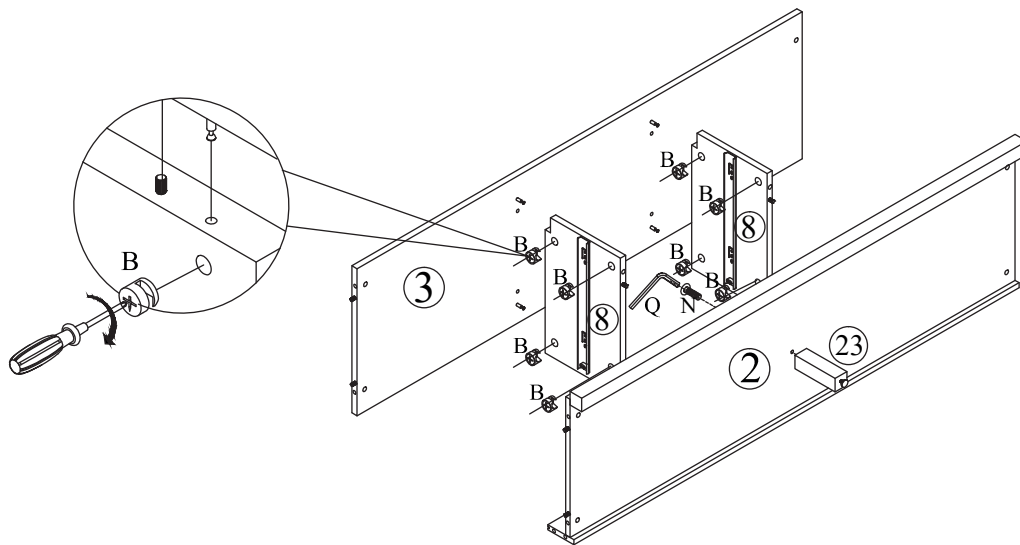
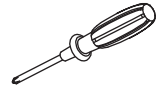
Bx8



Nx1



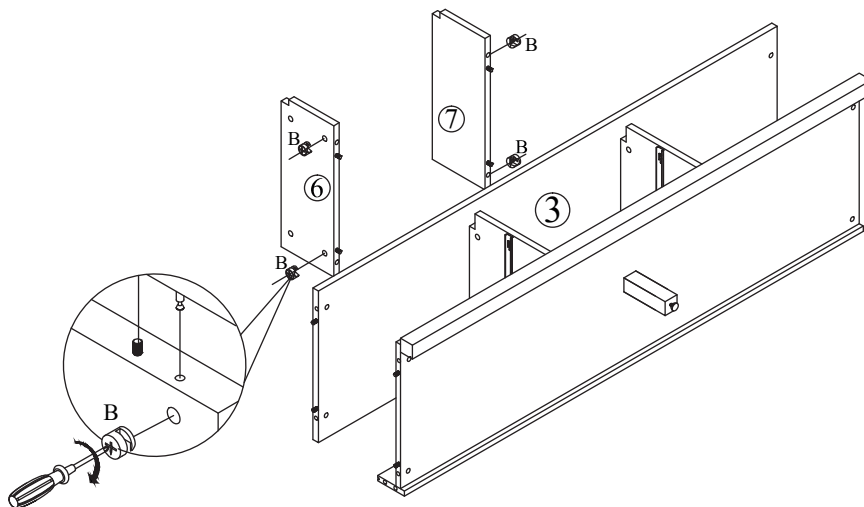
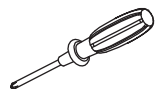
Qx1



8



Bx4



BANAK

KEHRA

KR-0105BC

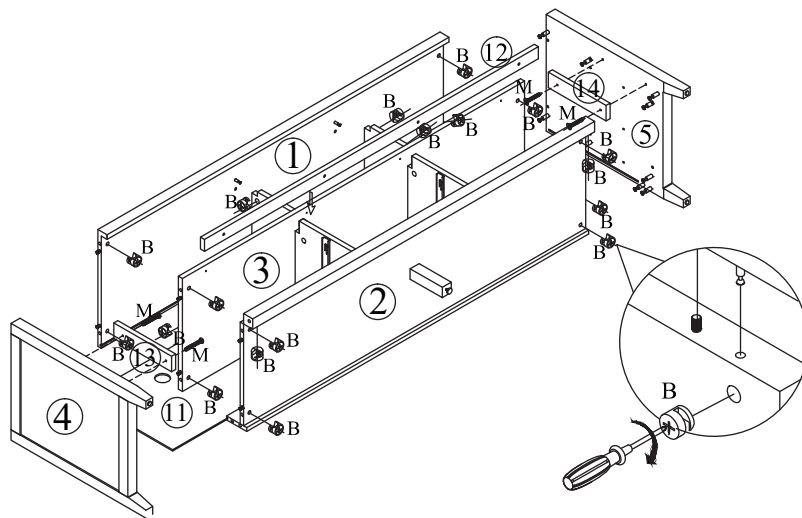
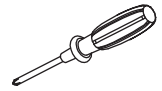
9



Bx18



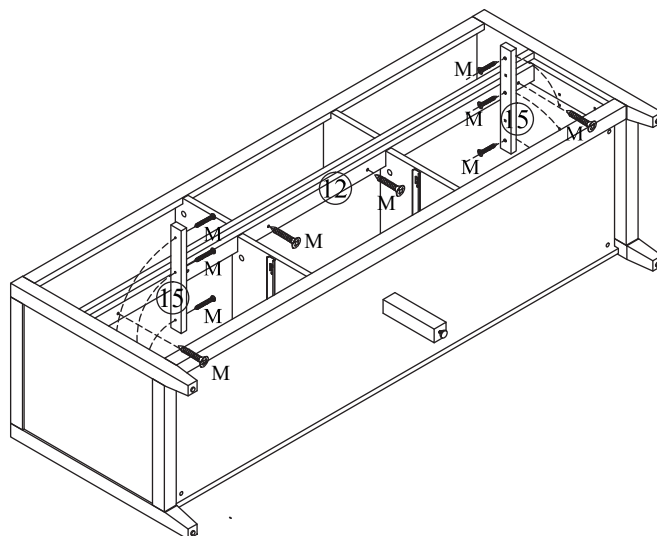
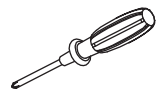
Mx4



10



Mx10



BANAK

KEHRA

KR-0105BC

11



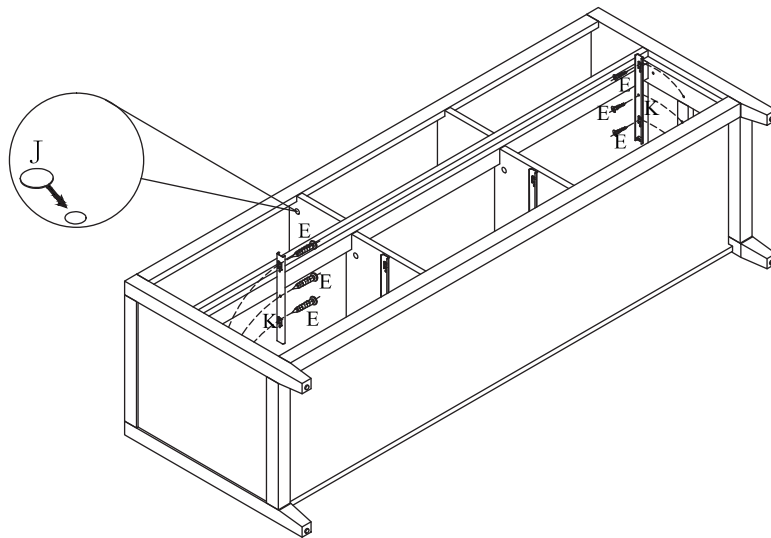
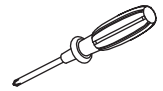
Ex6



Jx24



Kx2



12



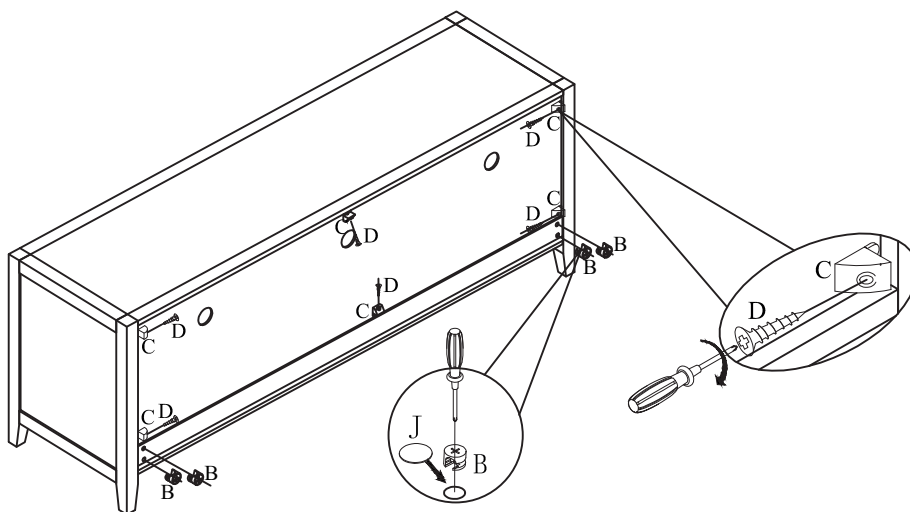
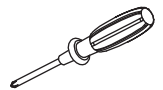
Bx4



Cx6



Dx6



BANAK

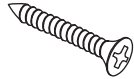
KEHRA

KR-0105BC

13



Bx4



Fx12



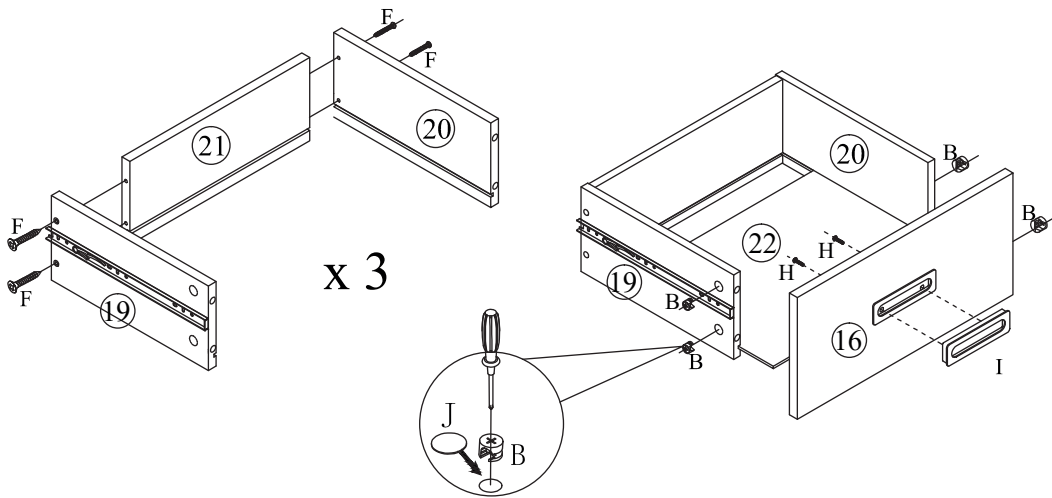
Hx2



Ix1



Jx4



14



Bx8



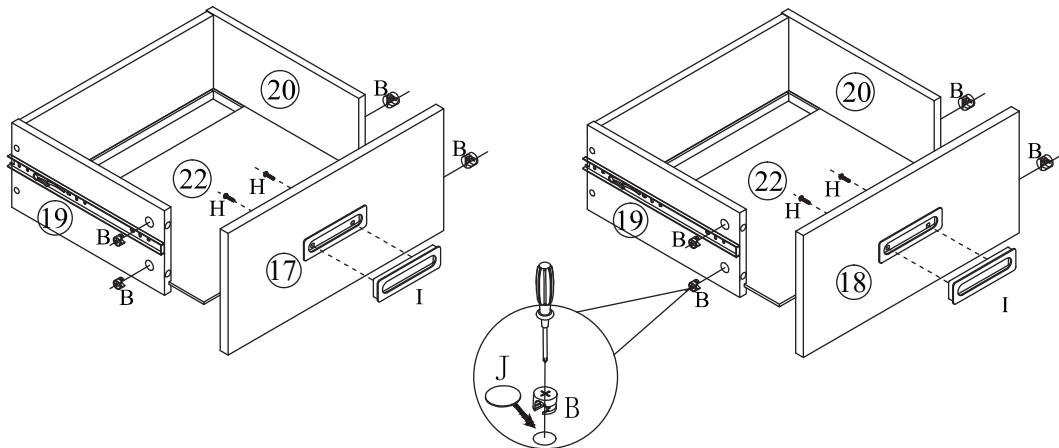
Hx4



Ix2



Jx8



BANAK

KEHRA

KR-0105BC

15

