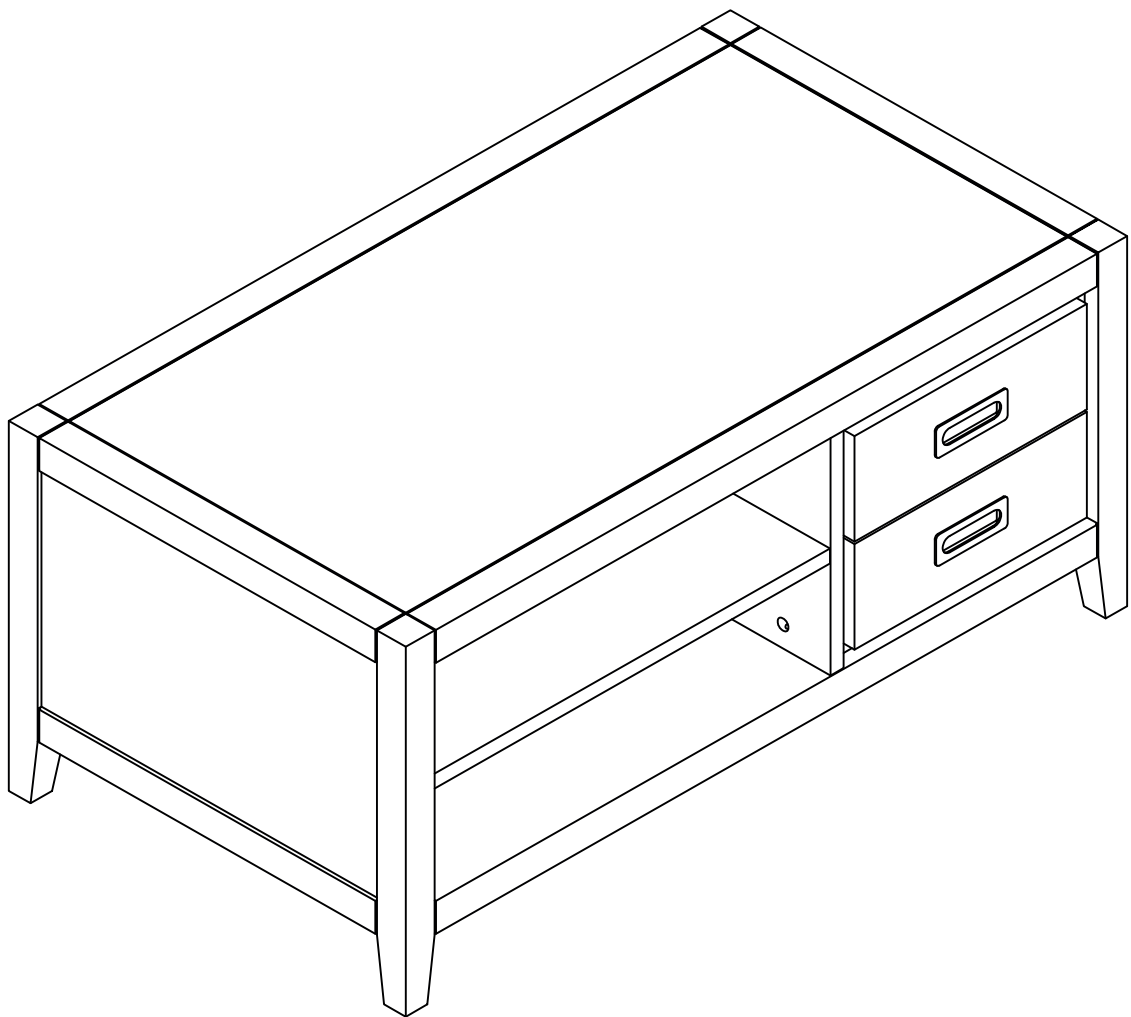


# BANAK

# KEHRA

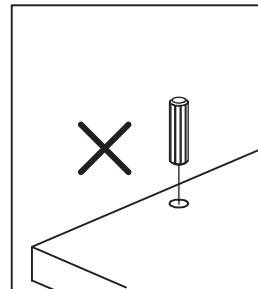
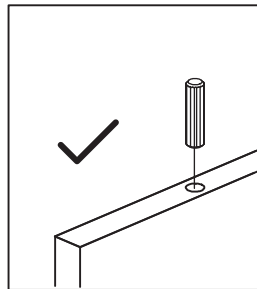
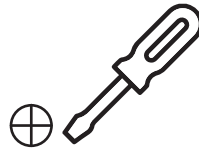
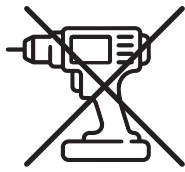
KR-0106BC



# BANAK

# KEHRA

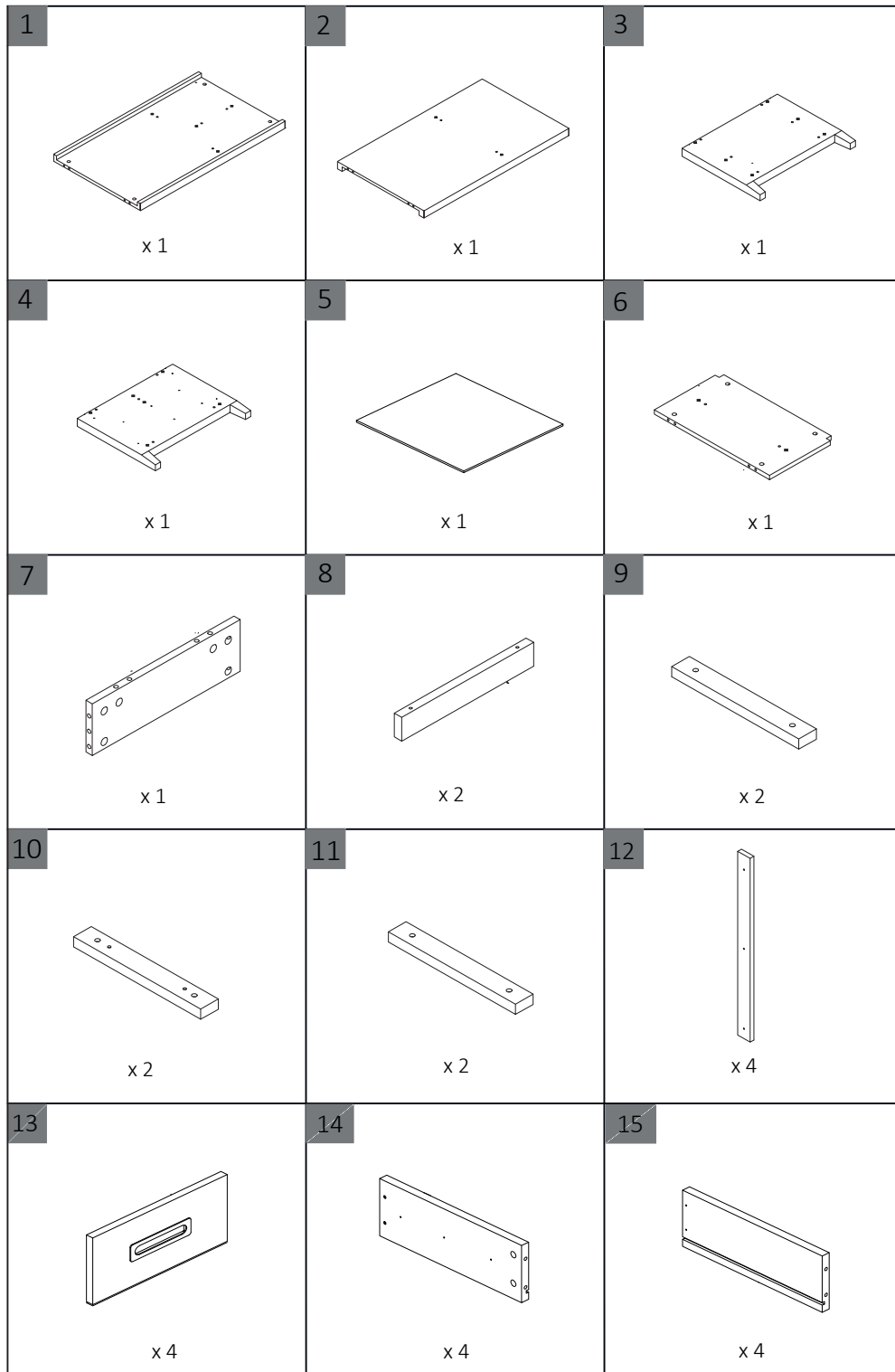
KR-0106BC



# BANAK

# KEHRA

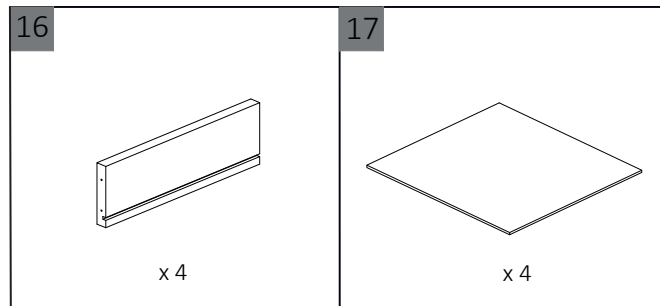
KR-0106BC

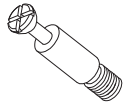
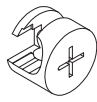

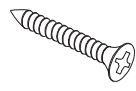


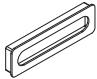




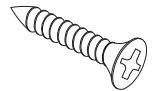



# BANAK

# KEHRA

KR-0106BC

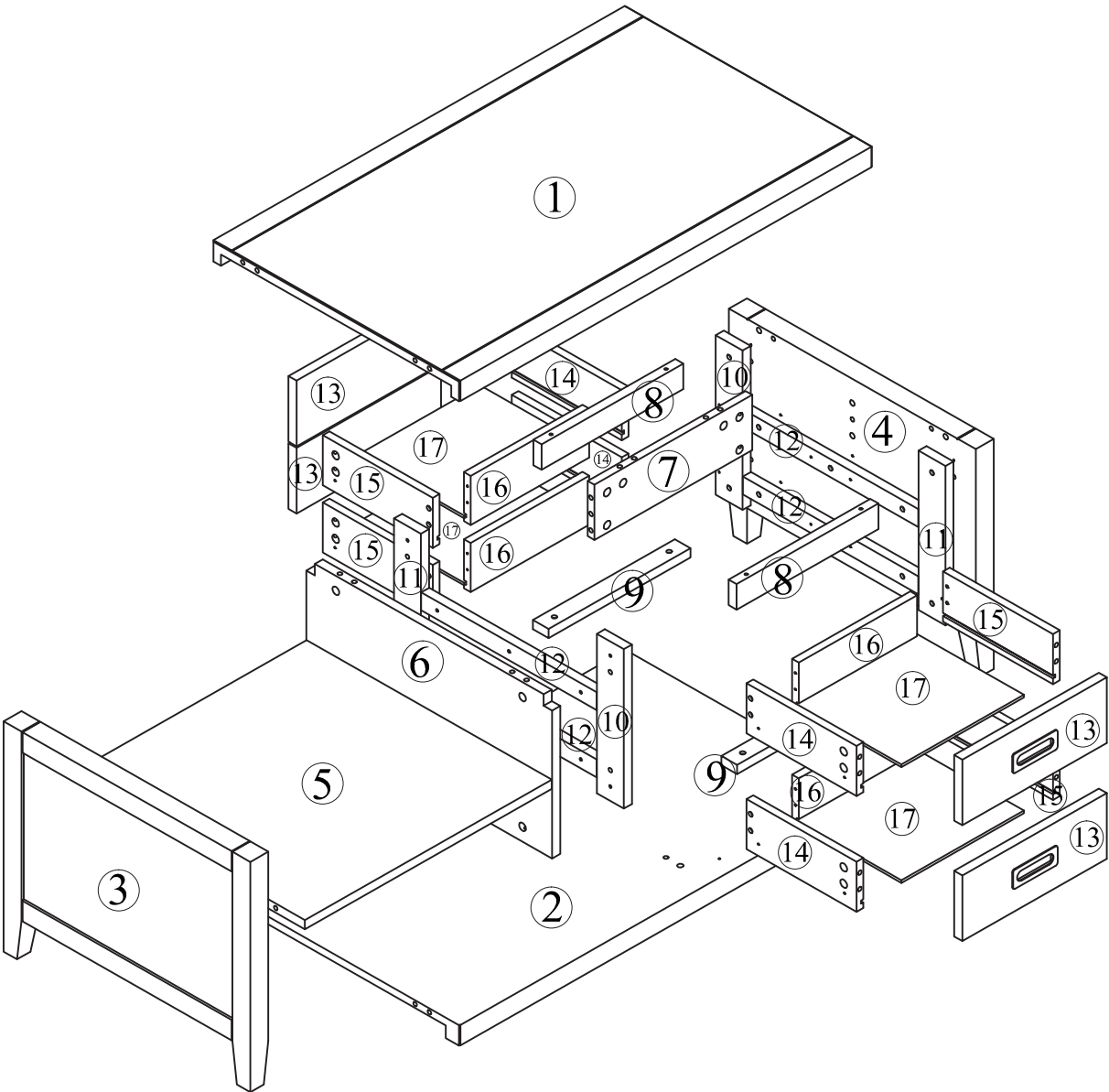


 L=35 Ax38	 Ø15 Bx38	 Ø3.5x12 Ex48	 Ø3.5x30 Fx16	 Ø8x30 Gx22	 M4x15 Hx8
 Ix6	 Ø20x5 Jx38	 L=250 Kx8	 L=250 Lx8	 Ø4x25 Mx24	 Ø4x45 Nx4
 Ø25x5 Ox4					

# BANAK

# KEHRA

KR-0106BC

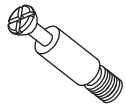


# BANAK

# KEHRA

KR-0106BC

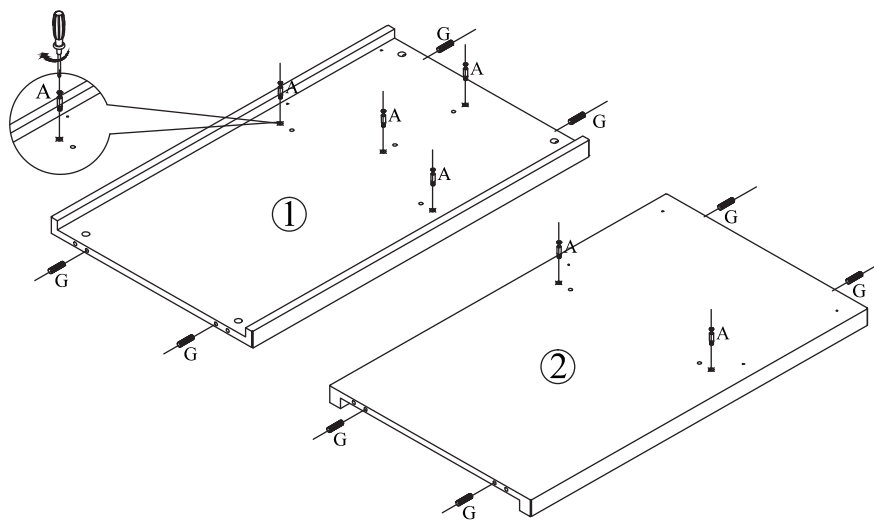
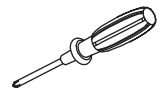
1



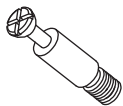
Ax6



Gx8



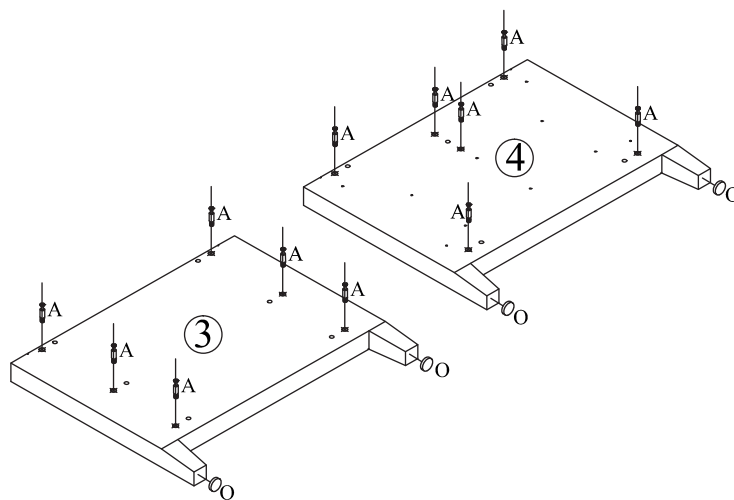
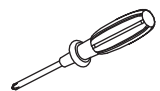
2



Ax12



Ox4

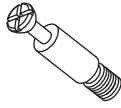


# BANAK

# KEHRA

KR-0106BC

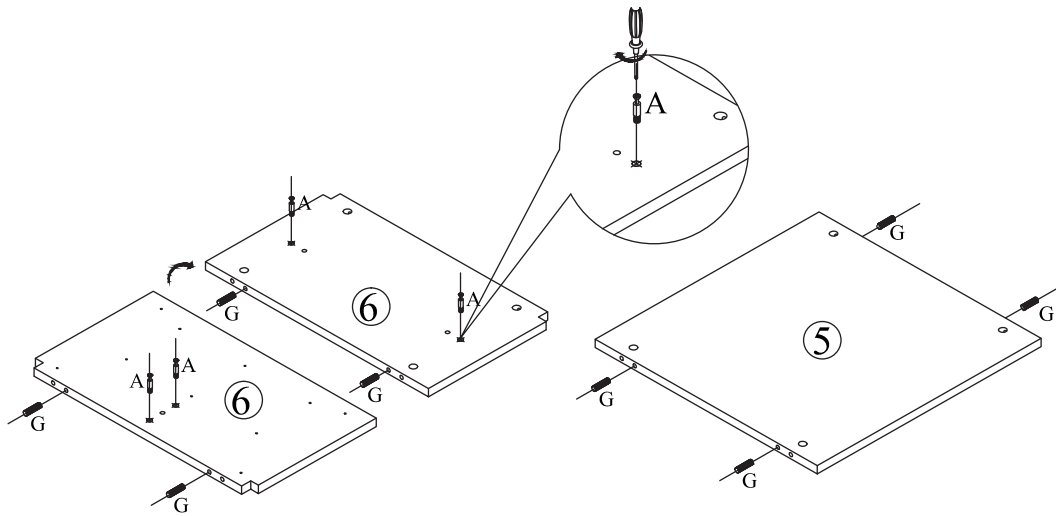
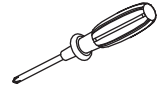
3



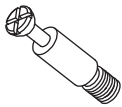
Ax4



Gx8



4



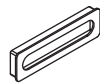
Ax16



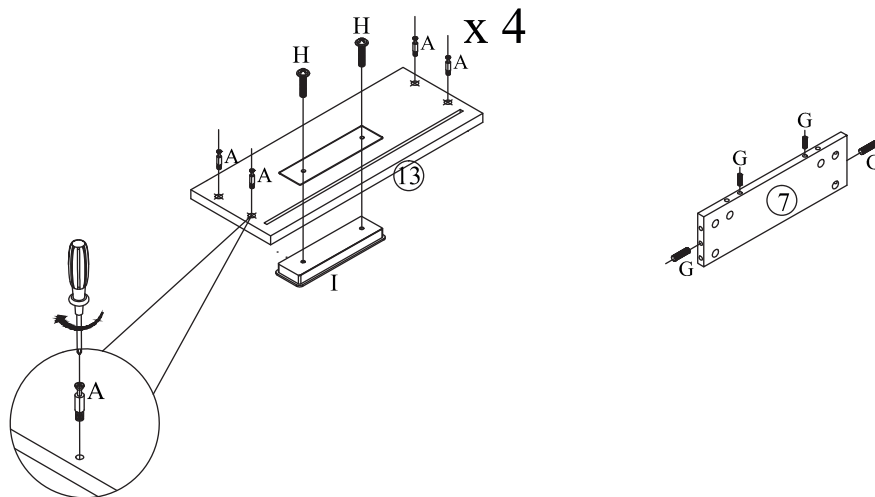
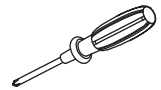
Hx8



Gx4



Ix4



# BANAK

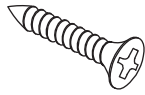
# KEHRA

KR-0106BC

5



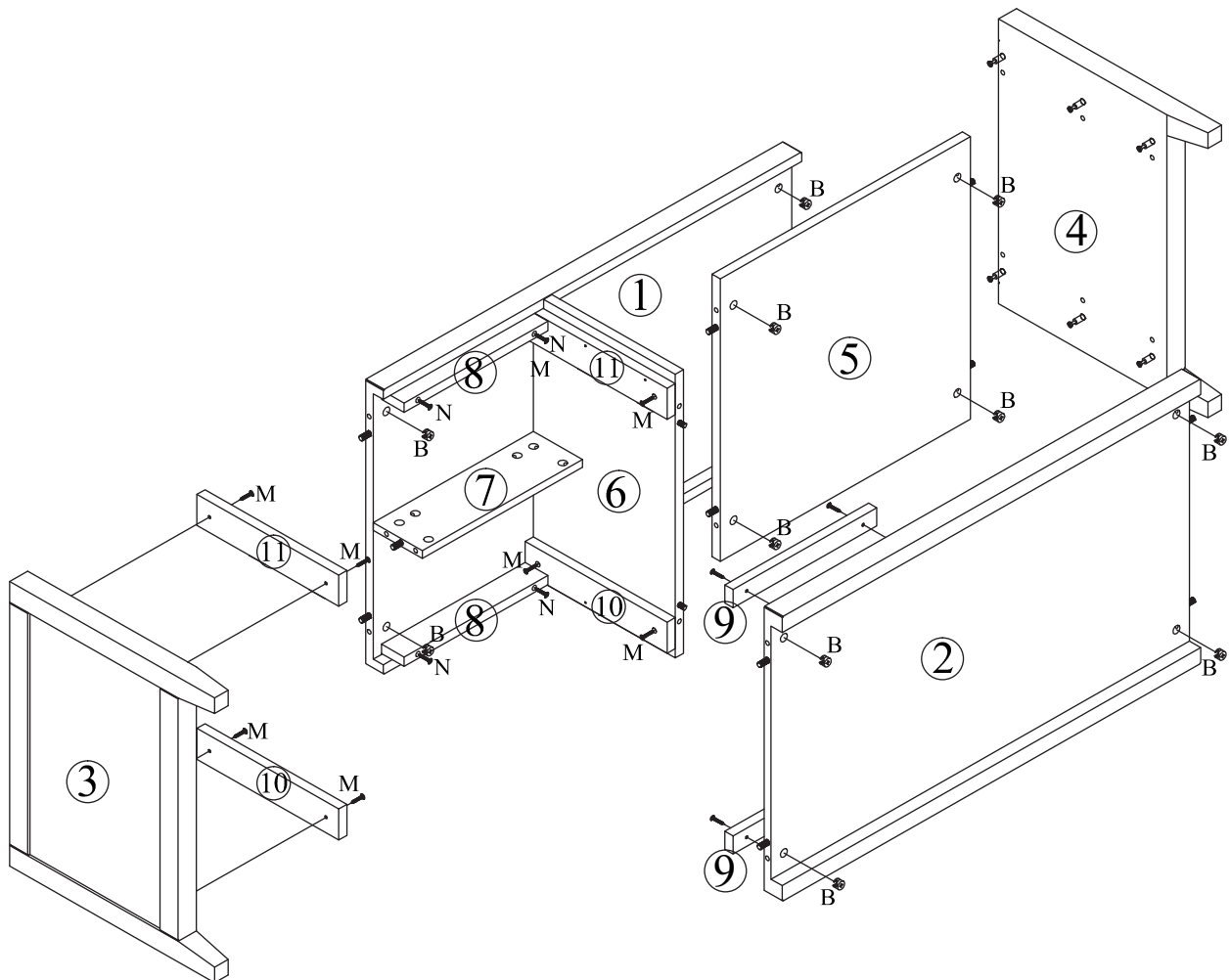
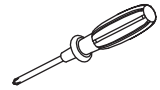
Bx22



Nx4



Jx22





# BANAK

# KEHRA

KR-0106BC

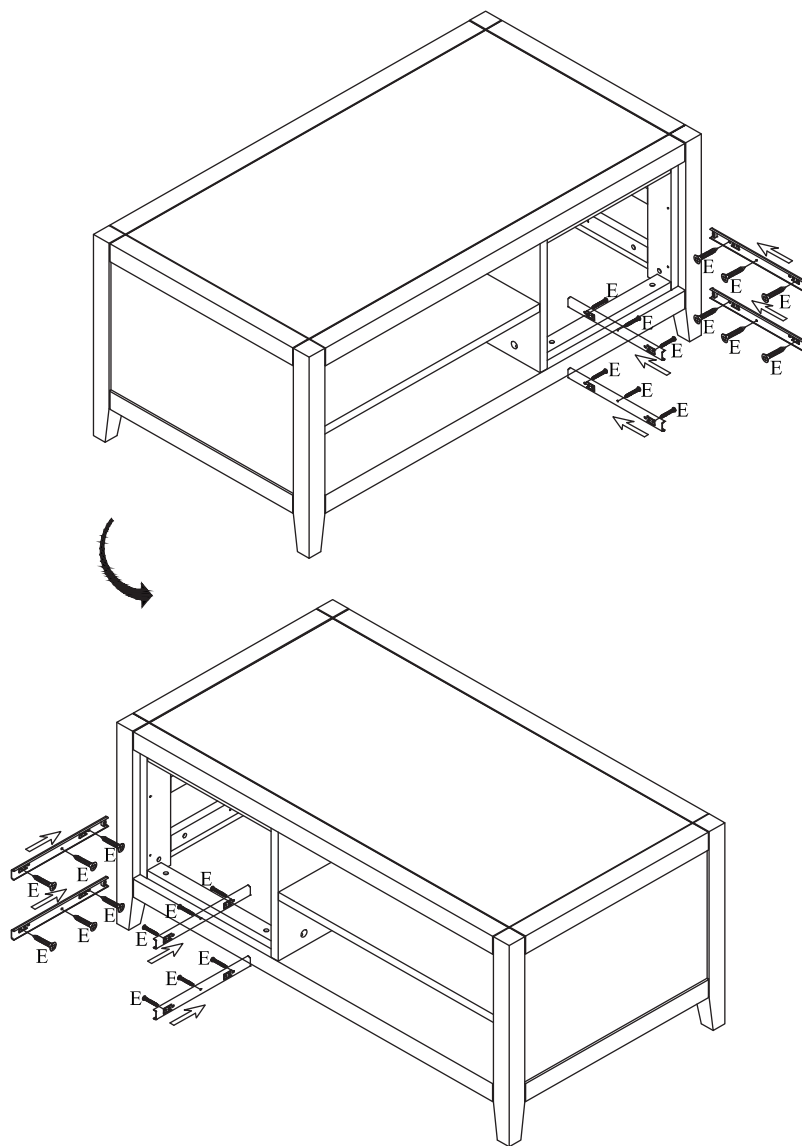
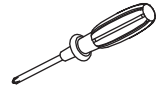
## 6



Ex24



Kx8



# BANAK

# KEHRA

KR-0106BC

8



Fx16



Ex24



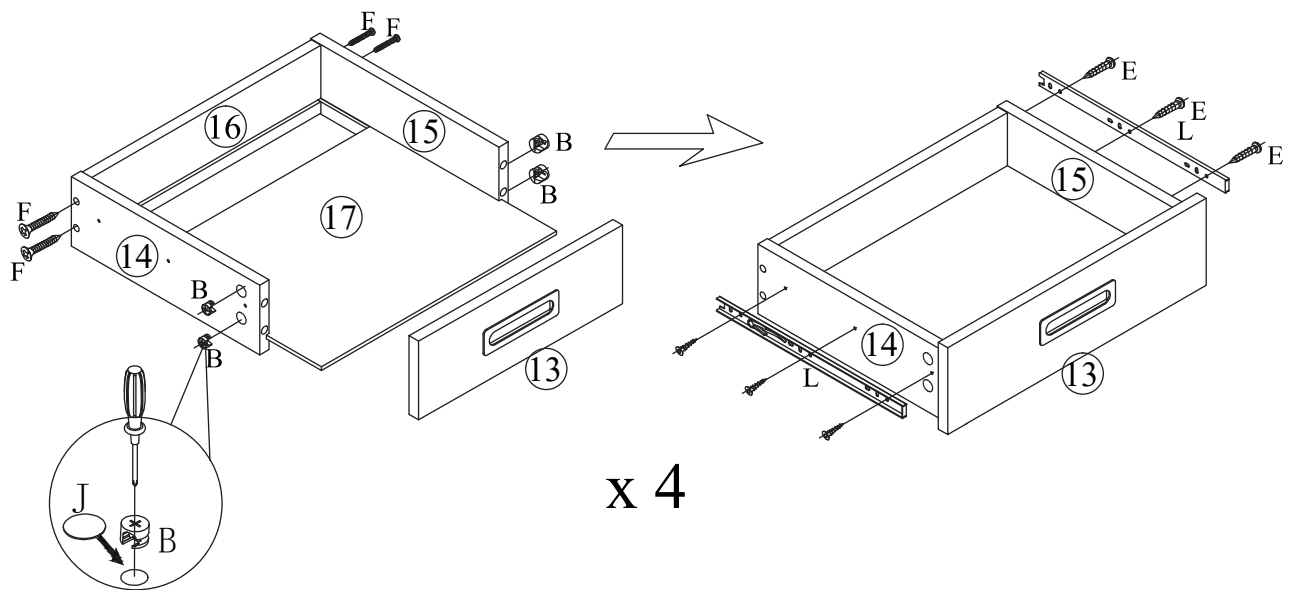
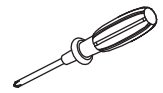
Bx16



Jx16



Lx8



x 4

# BANAK

# KEHRA

KR-0106BC

9

