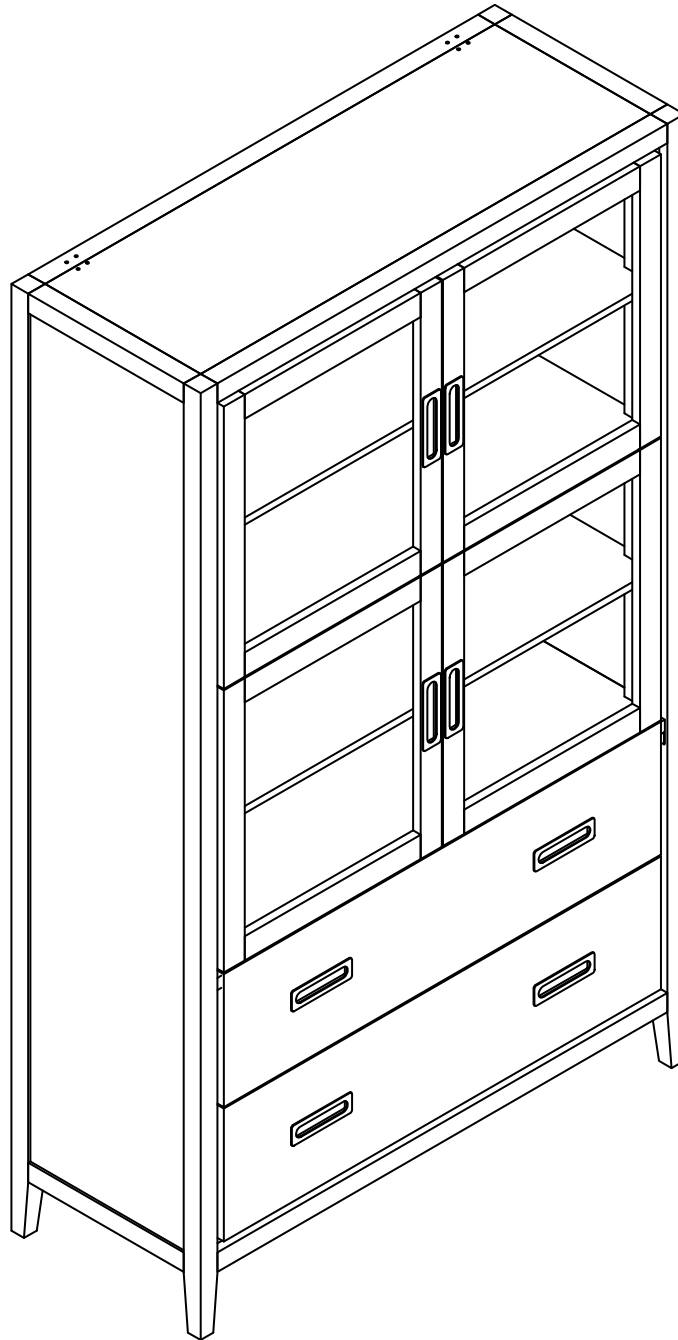


BANAK

KEHRA

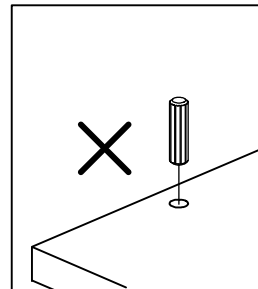
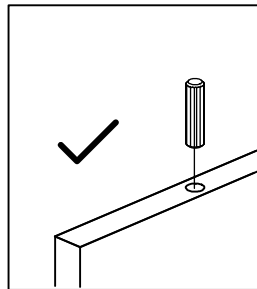
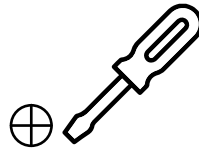
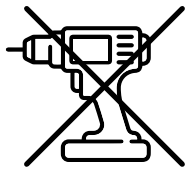
KR-0108BC



BANAK

KEHRA

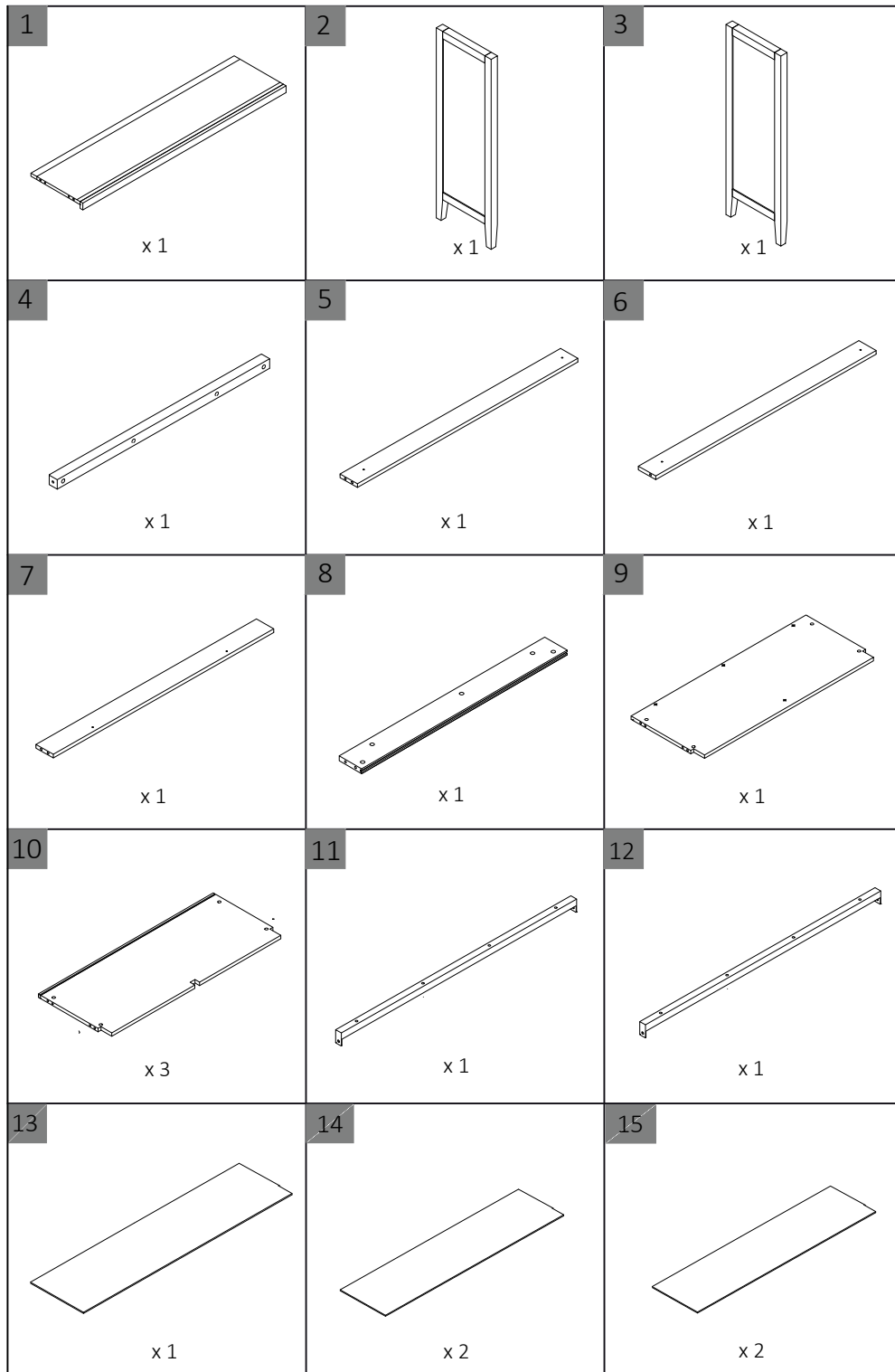
KR-0108BC



BANAK

KEHRA

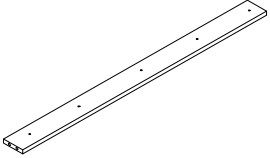
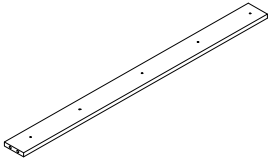
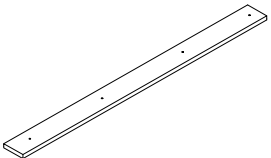
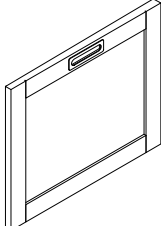
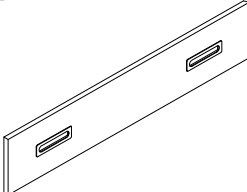
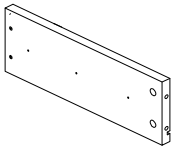
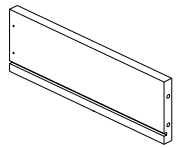
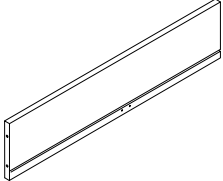
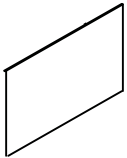
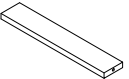
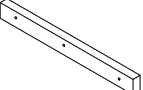
KR-0108BC



BANAK

KEHRA

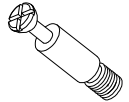
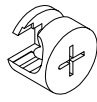
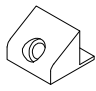


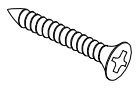
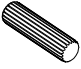

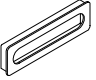



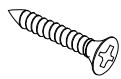
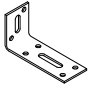

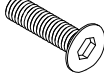
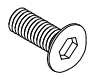

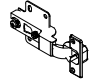

KR-0108BC

<p>16</p>  <p>x 1</p>	<p>17</p>  <p>x 1</p>	<p>18</p>  <p>x 1</p>
<p>19</p>  <p>x 4</p>	<p>20</p>  <p>x 2</p>	<p>21</p>  <p>x 2</p>
<p>22</p>  <p>x 2</p>	<p>23</p>  <p>x 2</p>	<p>24</p>  <p>x 2</p>
<p>25</p>  <p>x 2</p>	<p>26</p>  <p>x 4</p>	

BANAK

KEHRA

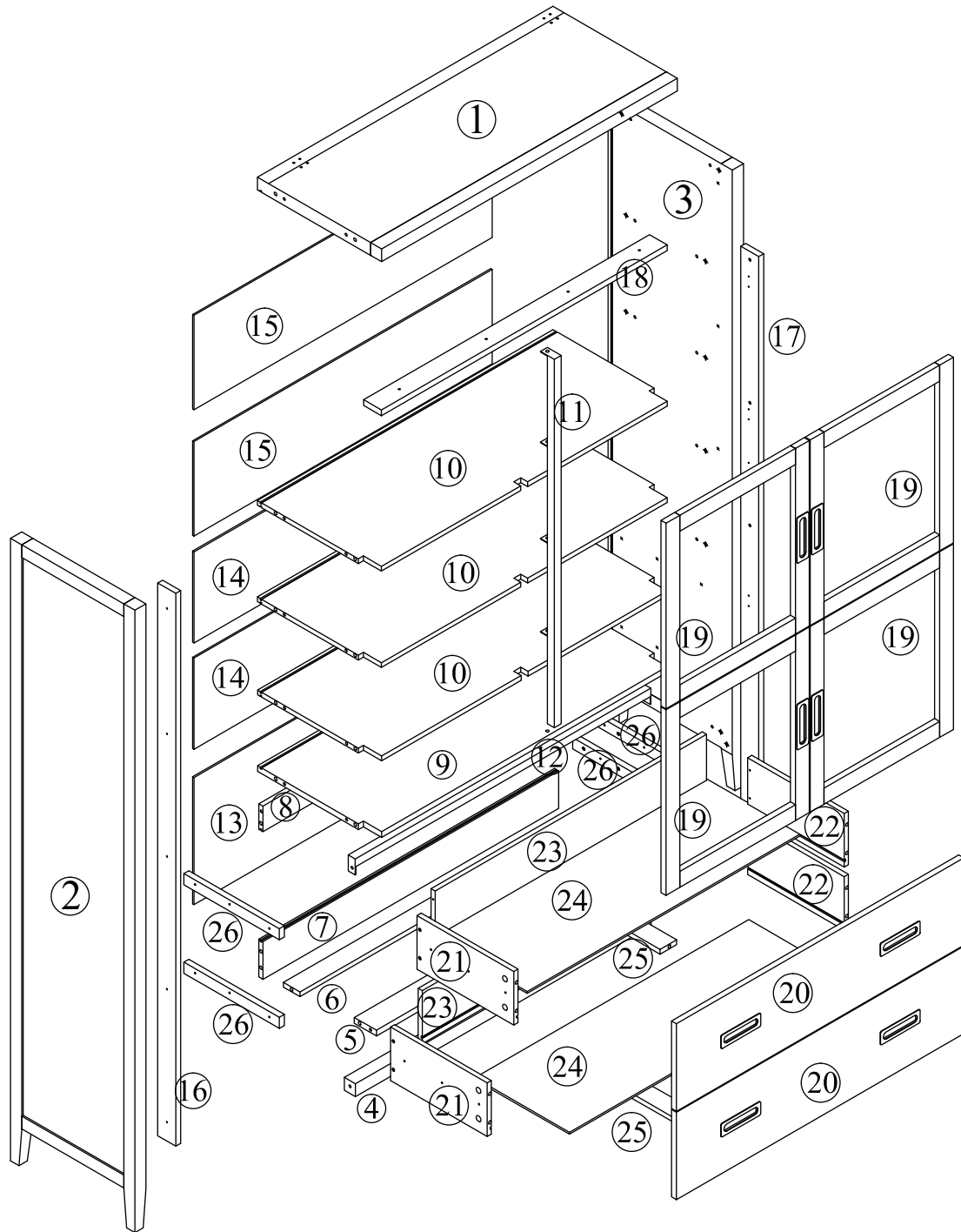
KR-0108BC

 L=35 Ax48	 Ø15 Bx48	 Cx16	 Ø3x18 Dx16	 Ø3.5x12 Ex24	 Ø3.5x30 Fx15
 Ø8x30 Gx26	 M4x15 Hx16	 Ix8	 Ø20 Jx40	 L=350 Kx4	 L=350 Lx4
 Ø4x25 Mx26	 Nx2	 Ø25x5 Ox4	 M6x35 Px4	 M6x15 Qx6	 Ø4x14 Rx56
 Ø26 Sx8	 M4 Tx1				

BANAK

KEHRA

KR-0108BC

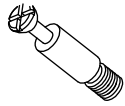


BANAK

KEHRA

KR-0108BC

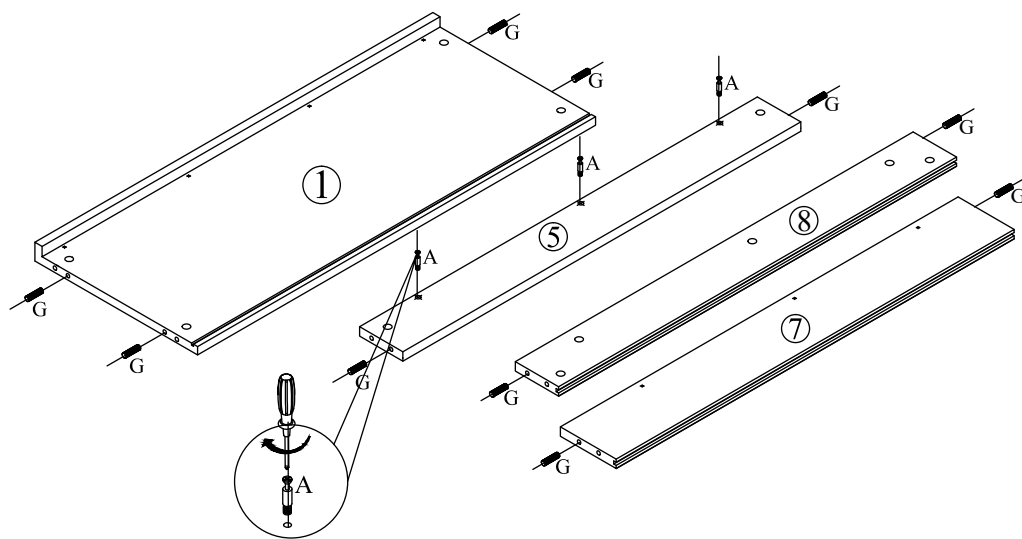
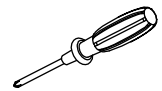
1



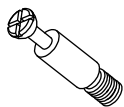
Ax3



Gx10



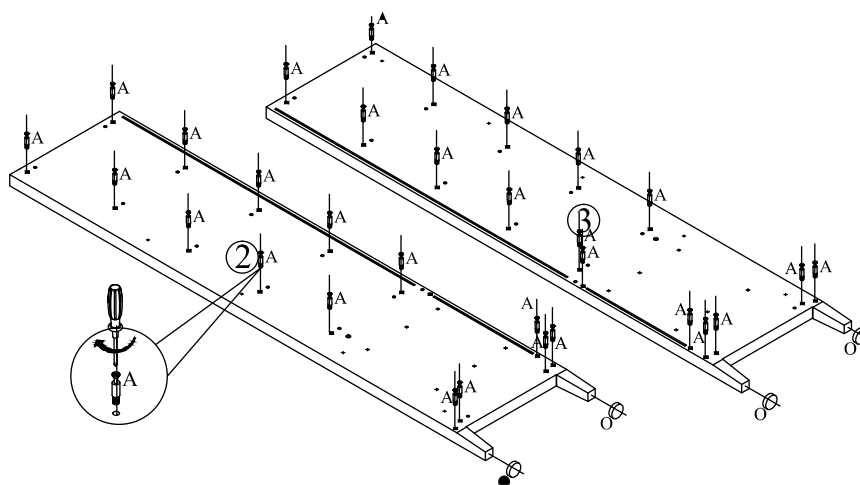
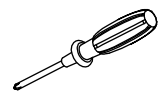
2



Ax32



Ox4



BANAK

KEHRA

KR-0108BC

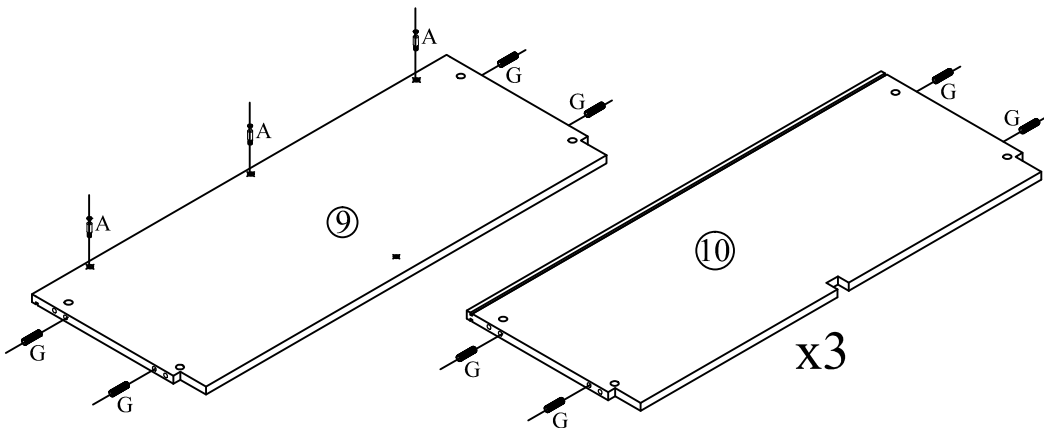
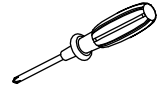
3



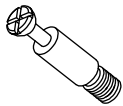
Ax3



Gx16



4



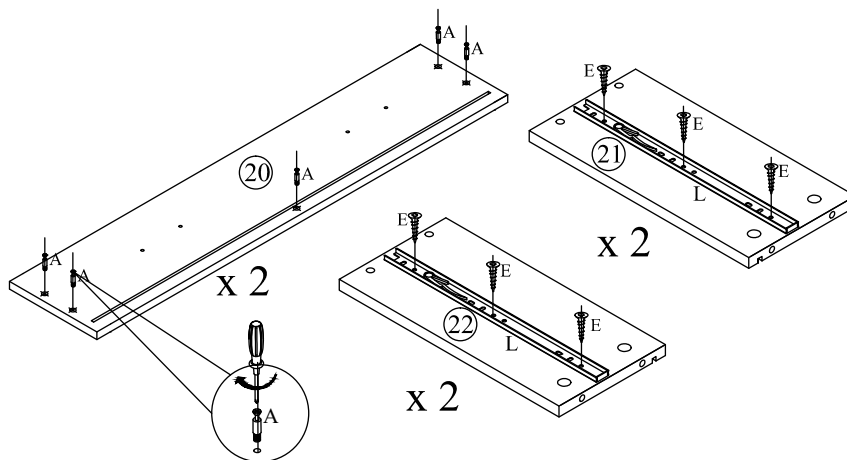
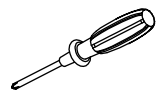
Ax10



Ex12



Lx4



BANAK

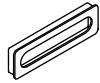
KEHRA

KR-0108BC

5



Hx8



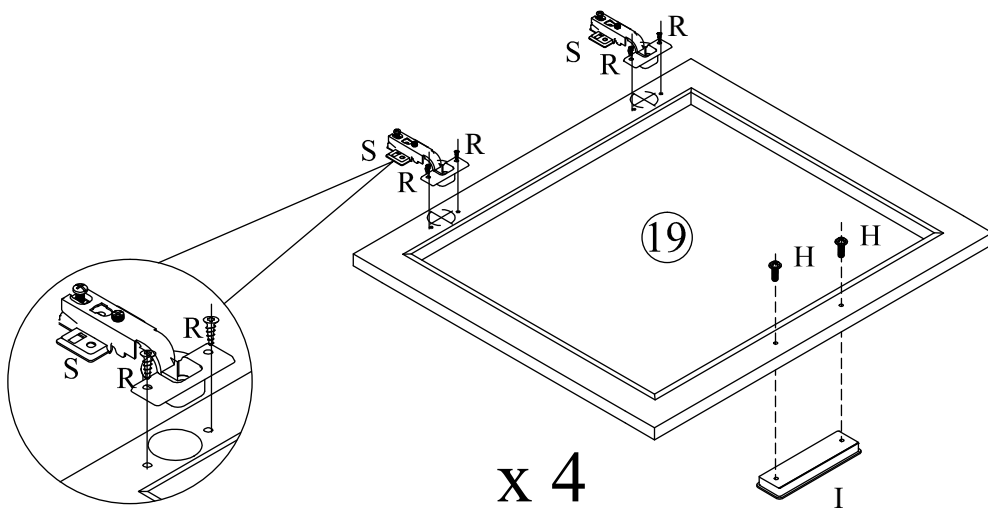
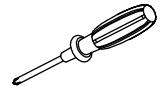
Ix4



Rx16



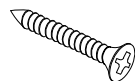
Sx8



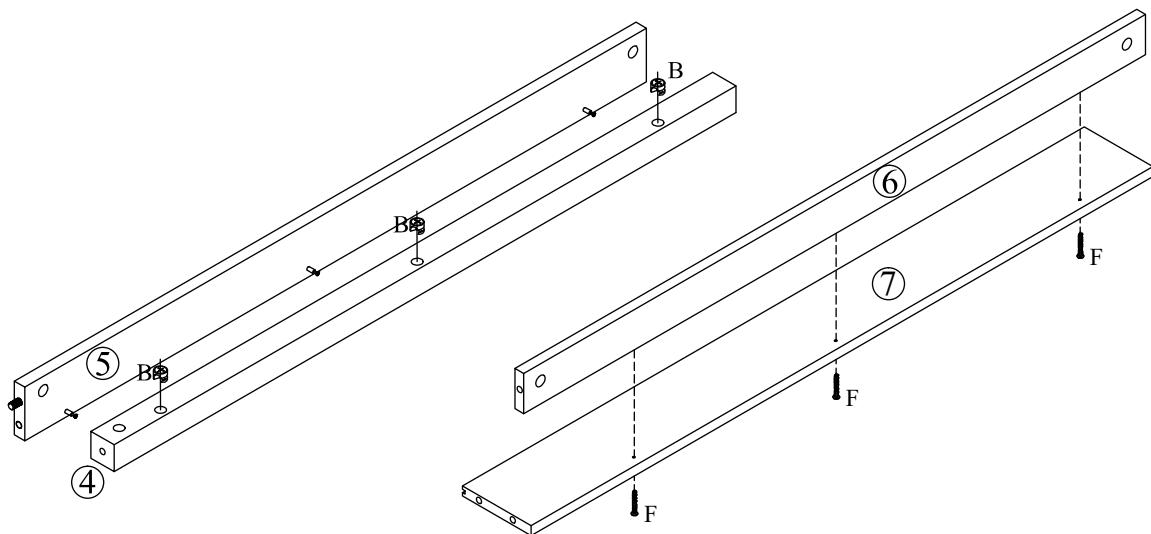
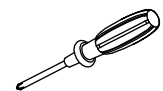
6



Bx4



Fx3

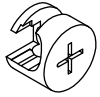


BANAK

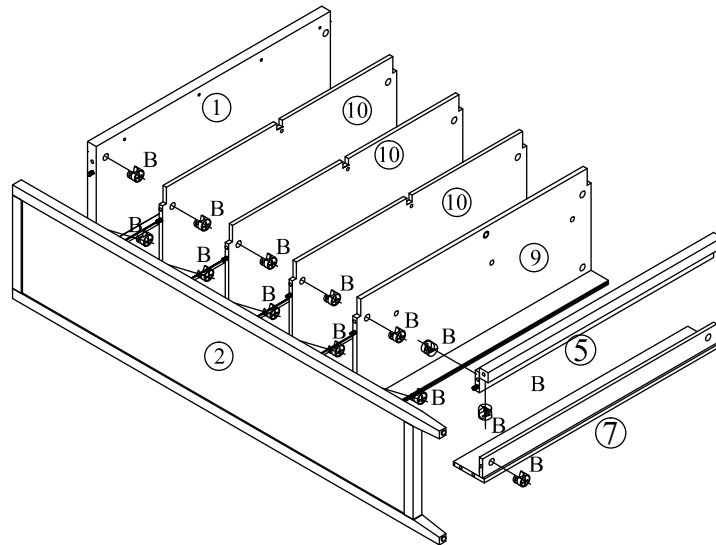
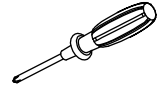
KEHRA

KR-0108BC

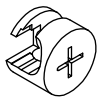
7



Bx14



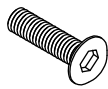
8



Bx14



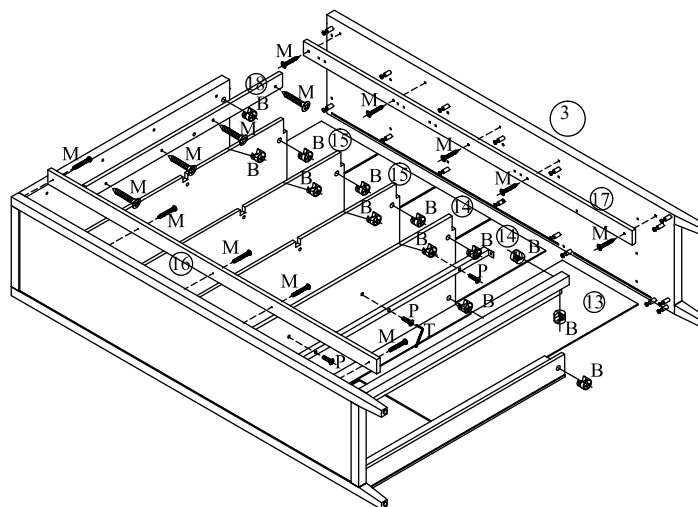
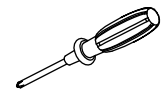
Mx14



Px3



Tx1



BANAK

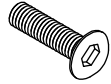
KEHRA

KR-0108BC

9



Mx12



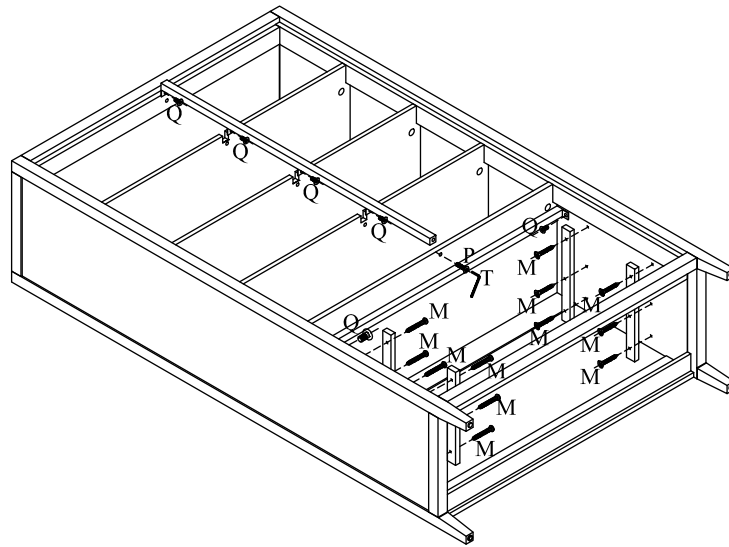
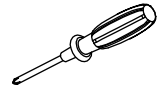
Px1



Qx6



Tx1



10



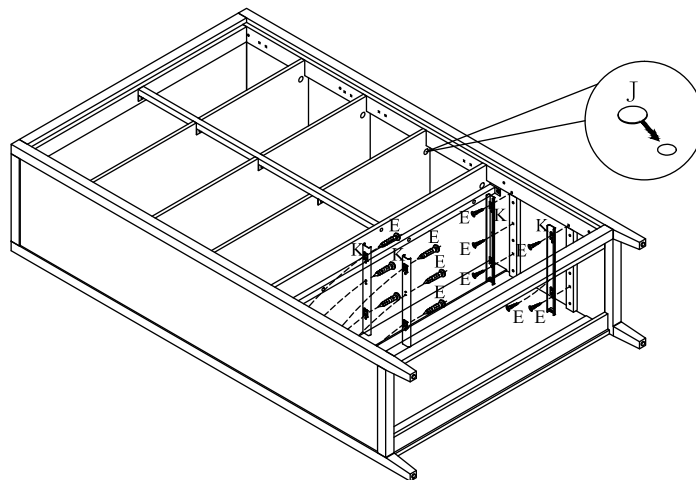
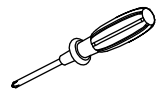
Ex12



Jx30



Kx4



BANAK

KEHRA

KR-0108BC

11



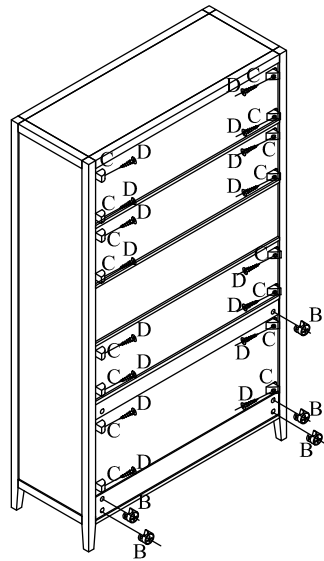
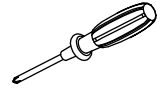
Bx6



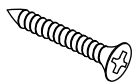
Cx16



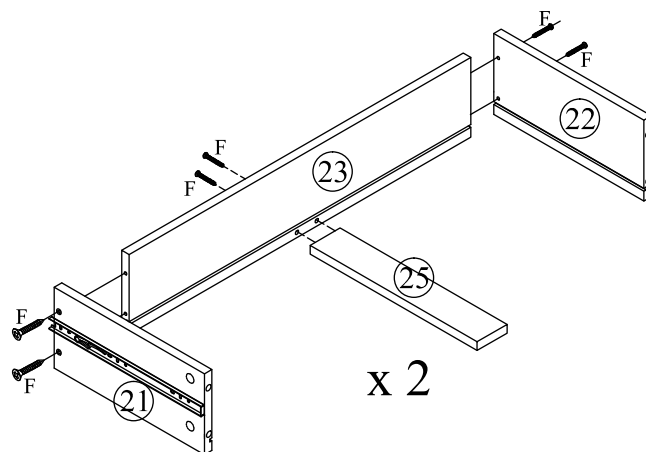
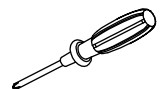
Dx16



12



Fx12

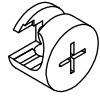


BANAK

KEHRA

KR-0108BC

13



Bx16



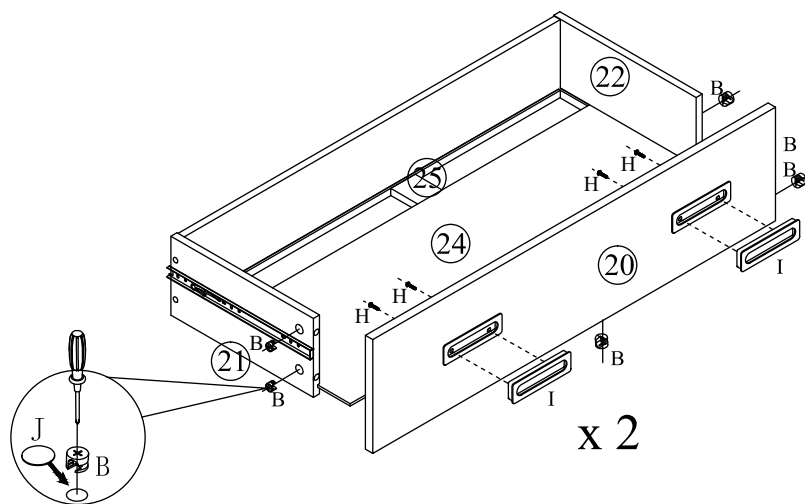
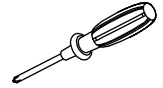
Hx8



Ix4



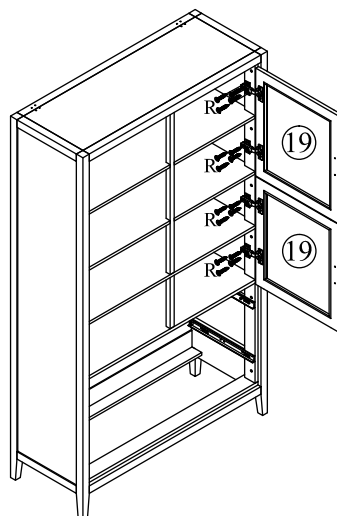
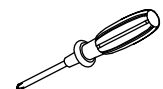
Jx10



14



Rx16



BANAK

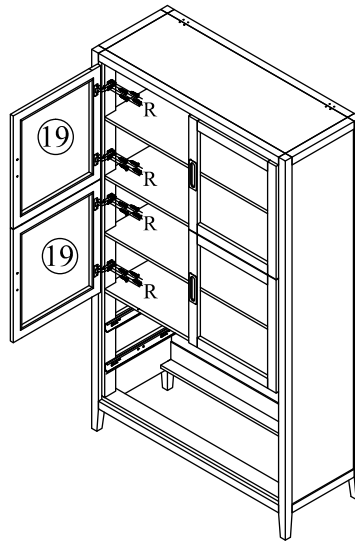
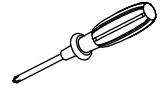
KEHRA

KR-0108BC

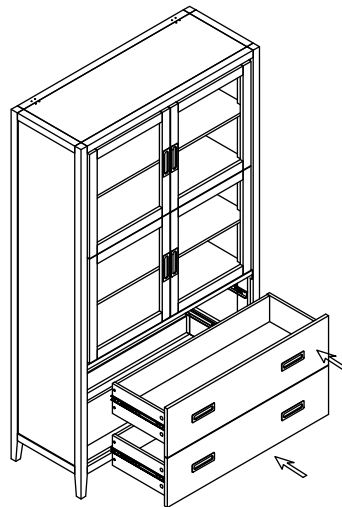
15



Rx16



16



BANAK

KEHRA

KR-0108BC

16



Nx2



Rx8

