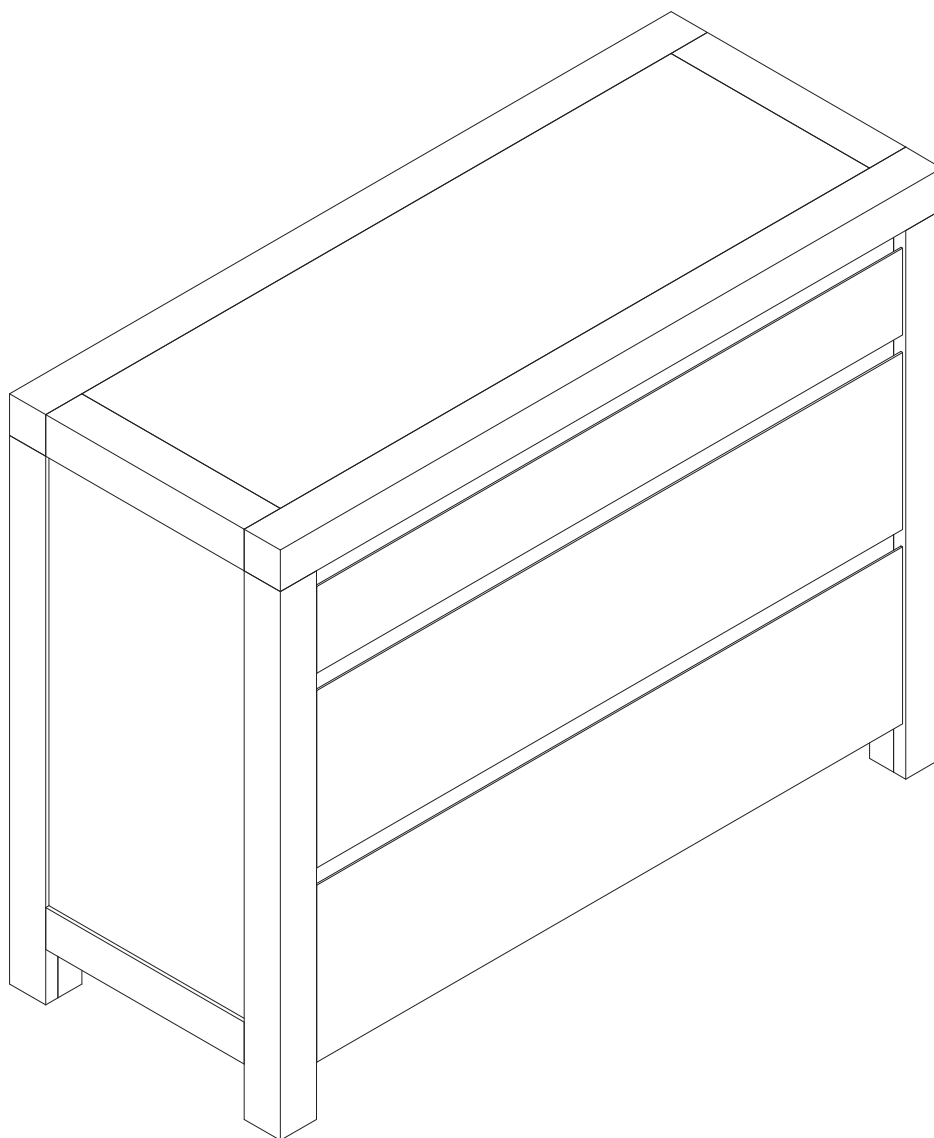


# BANAK

# LILAND

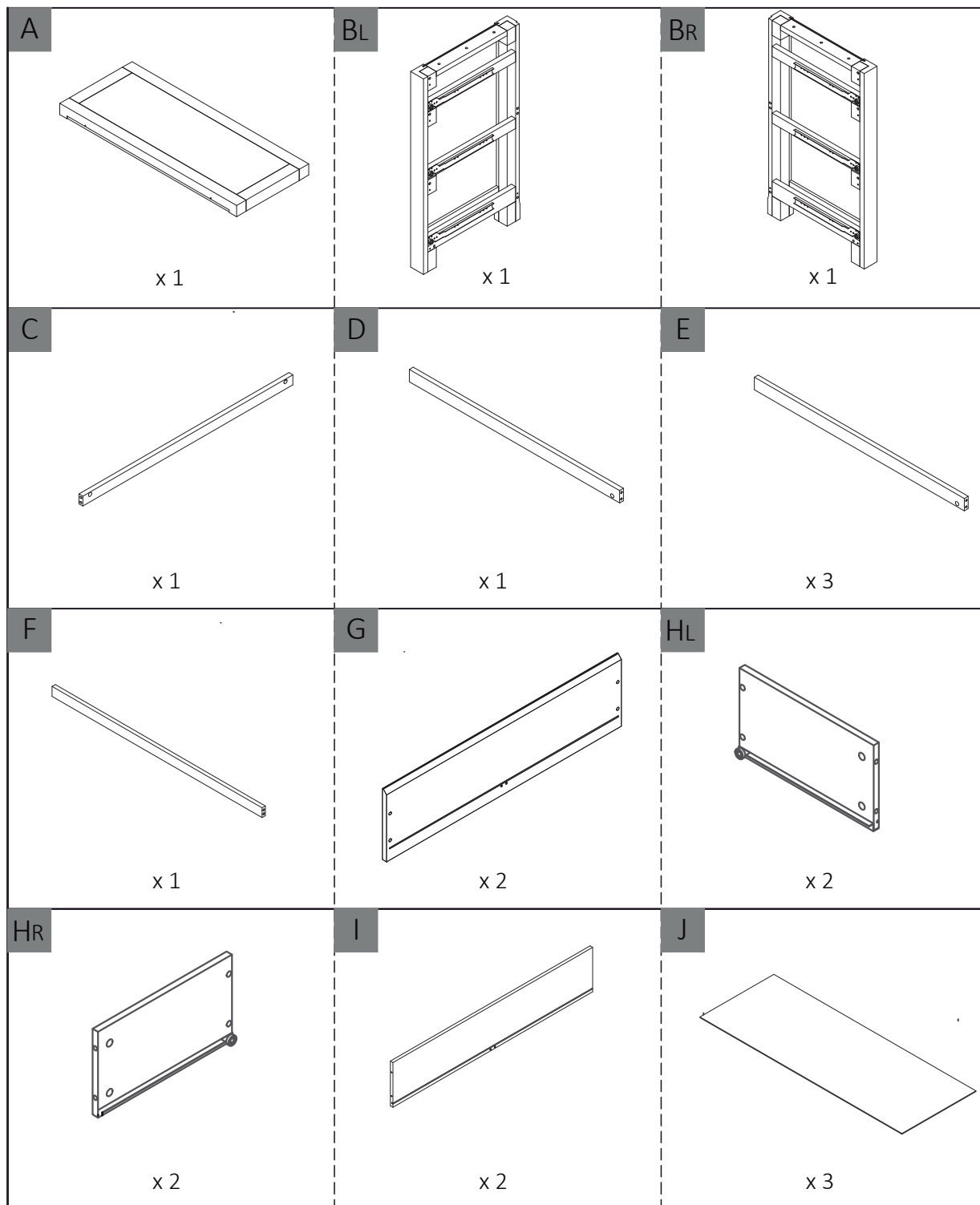
LD-0101



# BANAK

# LILAND

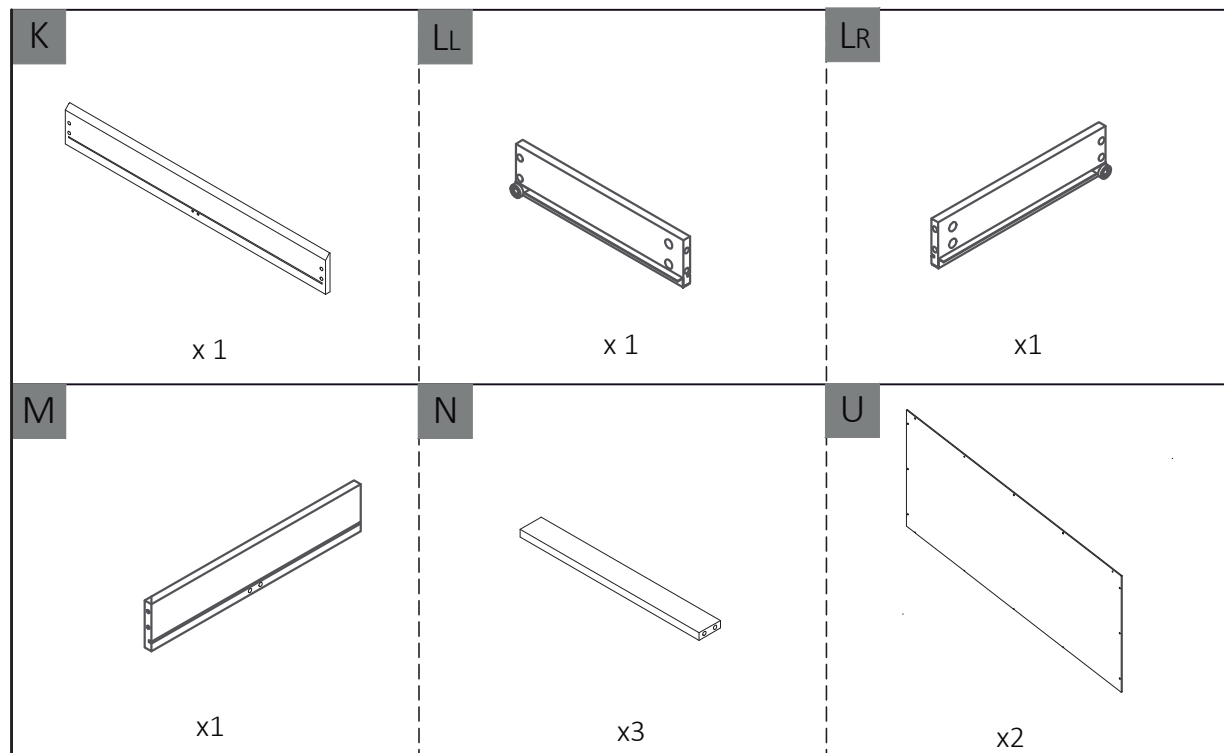
LD-0101



# BANAK

# LILAND



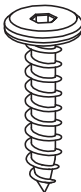
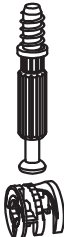
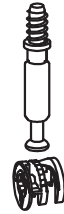



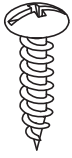
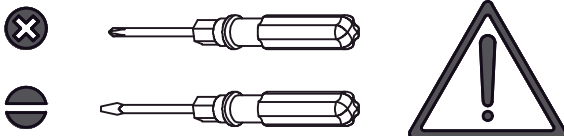
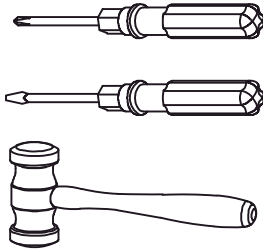
LD-0101



# BANAK

# LILAND

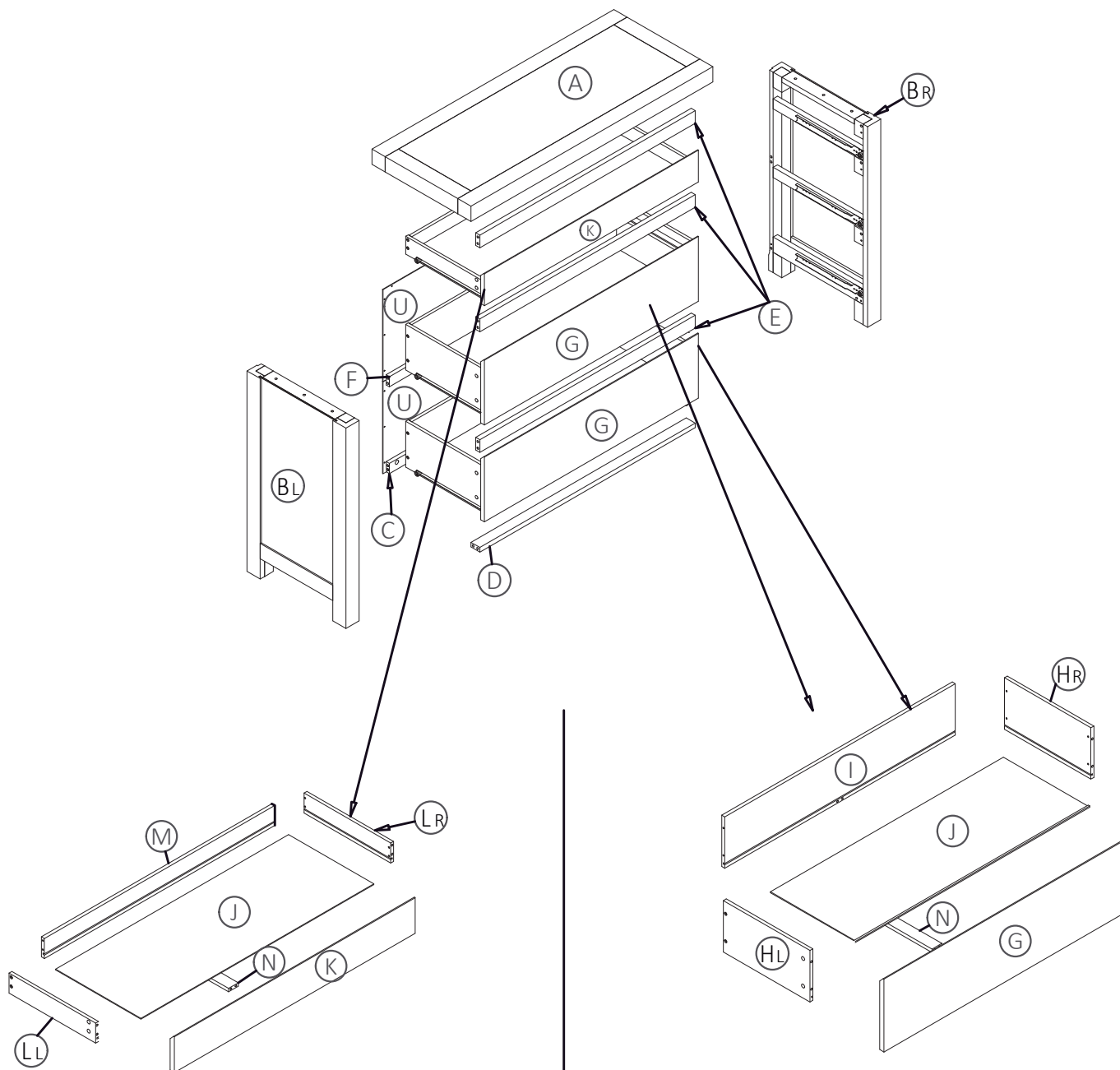
LD-0101

<p>1</p>  <p>x 1 M4 X 100</p>	<p>2</p>  <p>x 14 Ø8x30</p>	<p>3</p>  <p>M6 X 30mm x 6</p>	<p>4</p>  <p>Ø15 X 10 x 6</p>
<p>5</p>  <p>Ø12 X 10 x 12</p>	<p>6</p>  <p>M8 X 8mm x 12</p>	<p>7</p>  <p>M4 X 30mm x12</p>	<p>8</p>  <p>Ø6 X 30mm x 12</p>
<p>9</p>  <p>M4 X 15mm x26</p>	 		

# BANAK

# LILAND

LD-0101

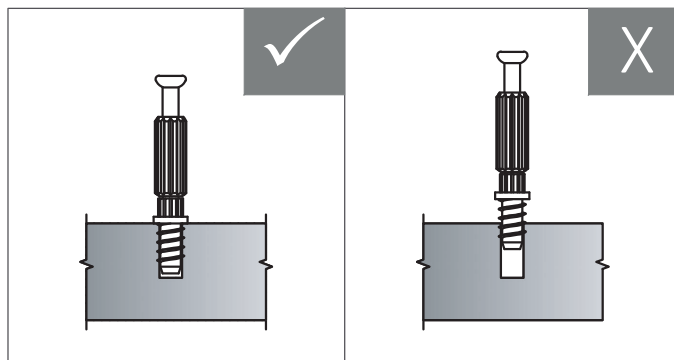
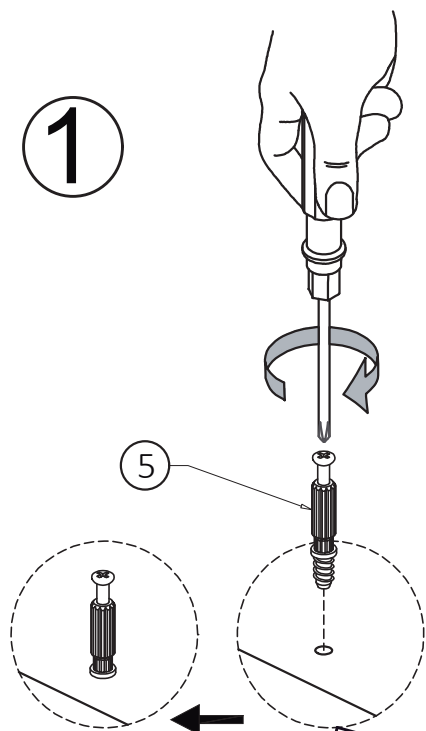


# BANAK

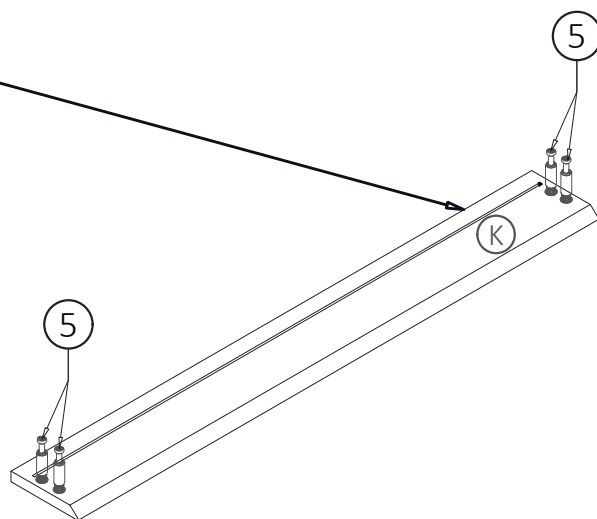
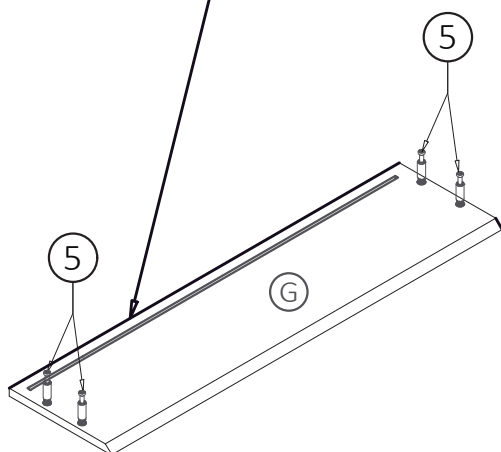
# LILAND

LD-0101

1



X2



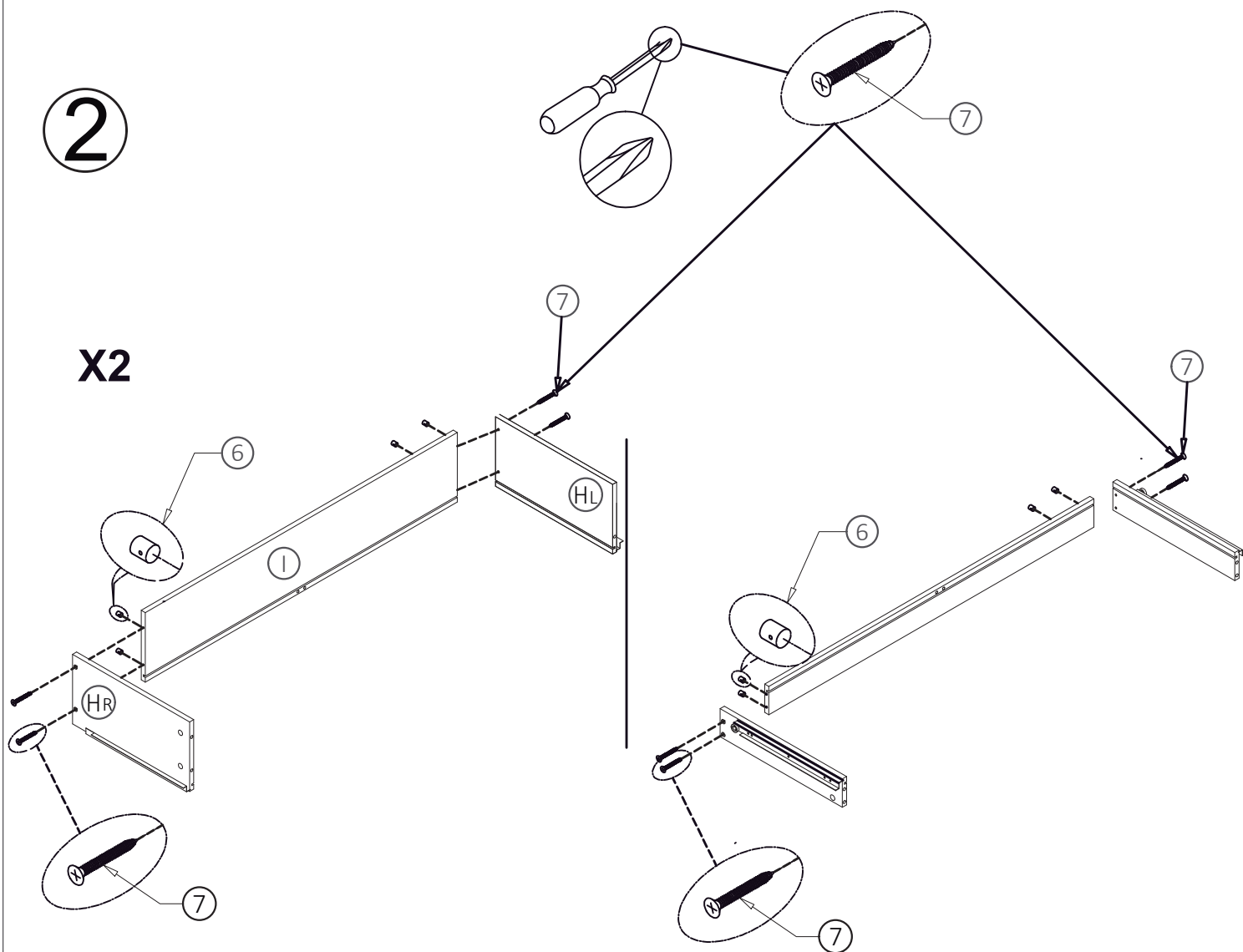
# BANAK

# LILAND

LD-0101

2

X2



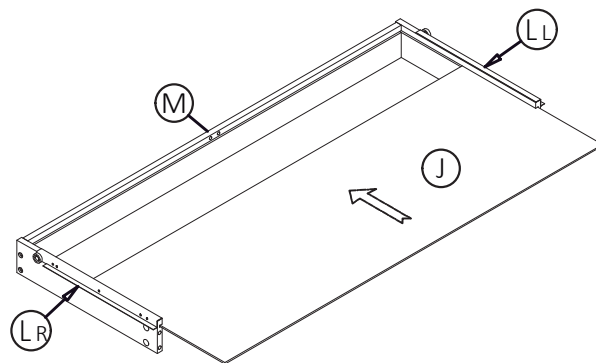
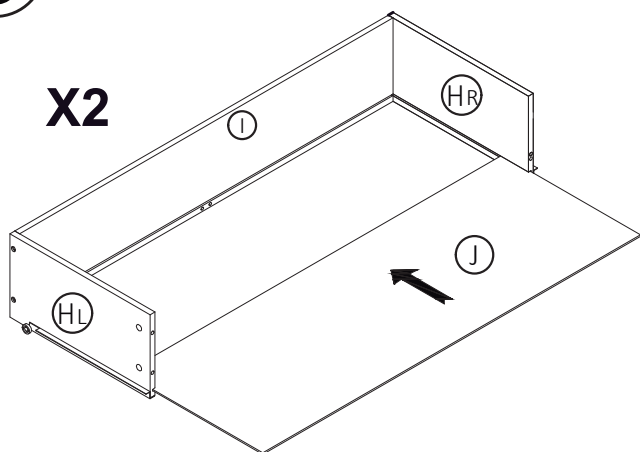
# BANAK

# LILAND

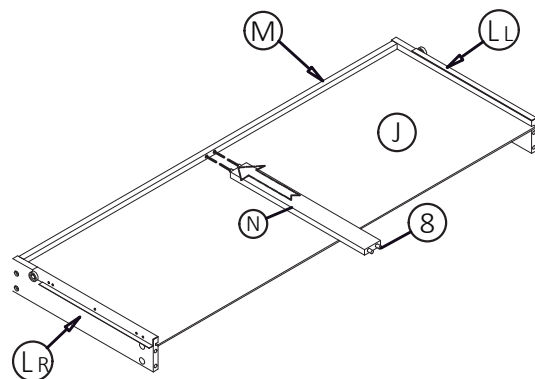
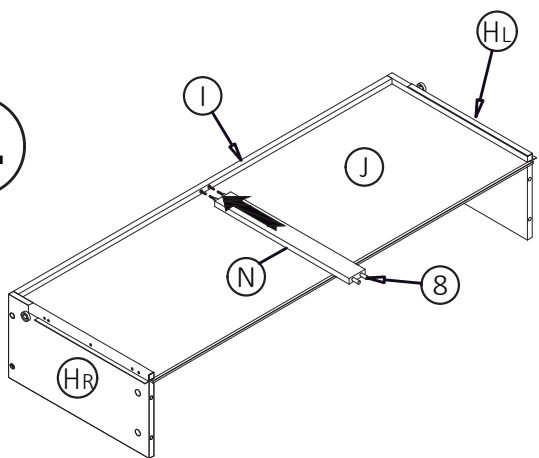
LD-0101

3

x2



4



x2



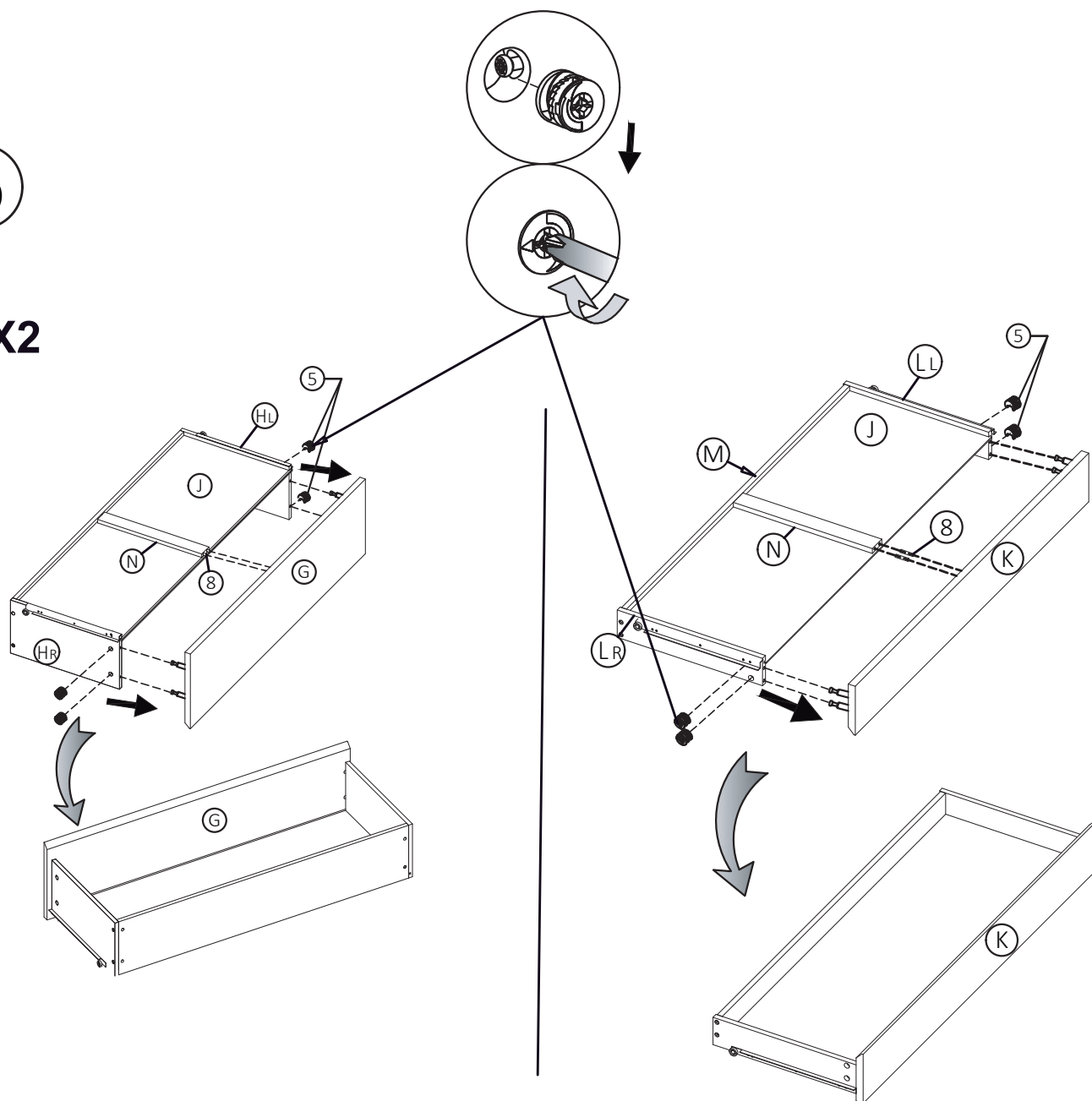
# BANAK

# LILAND

LD-0101

5

X2

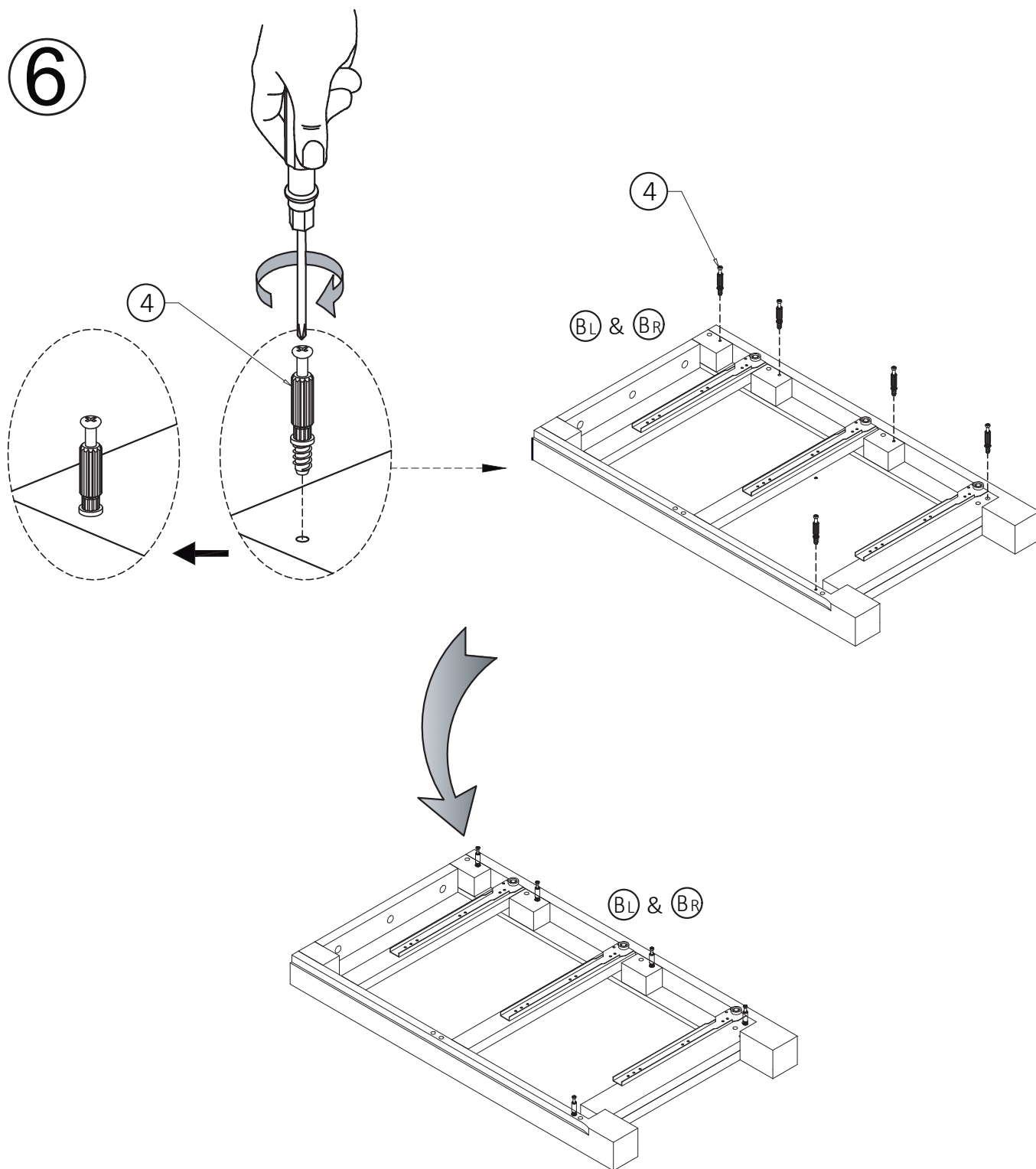


# BANAK

# LILAND

LD-0101

6

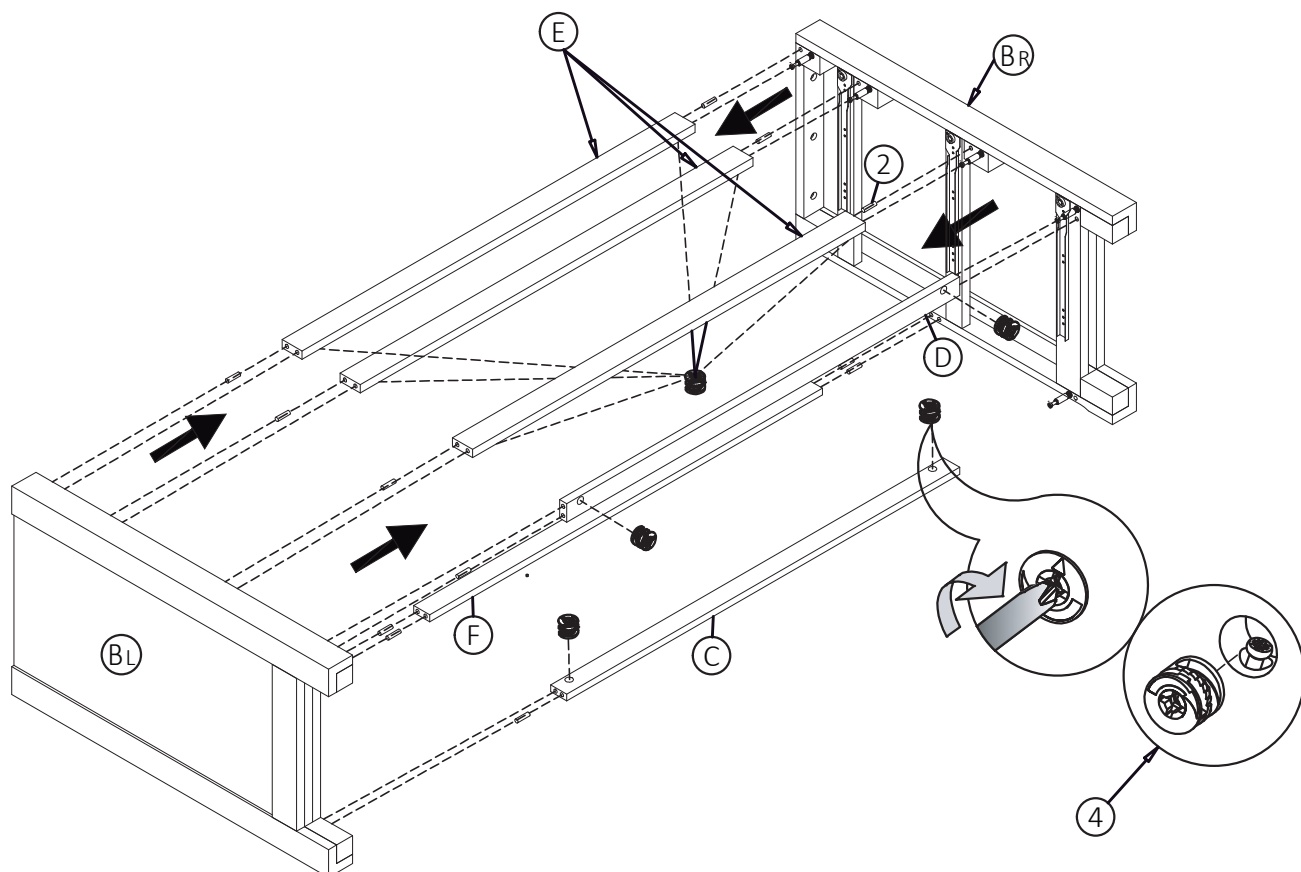


# BANAK

# LILAND

LD-0101

7

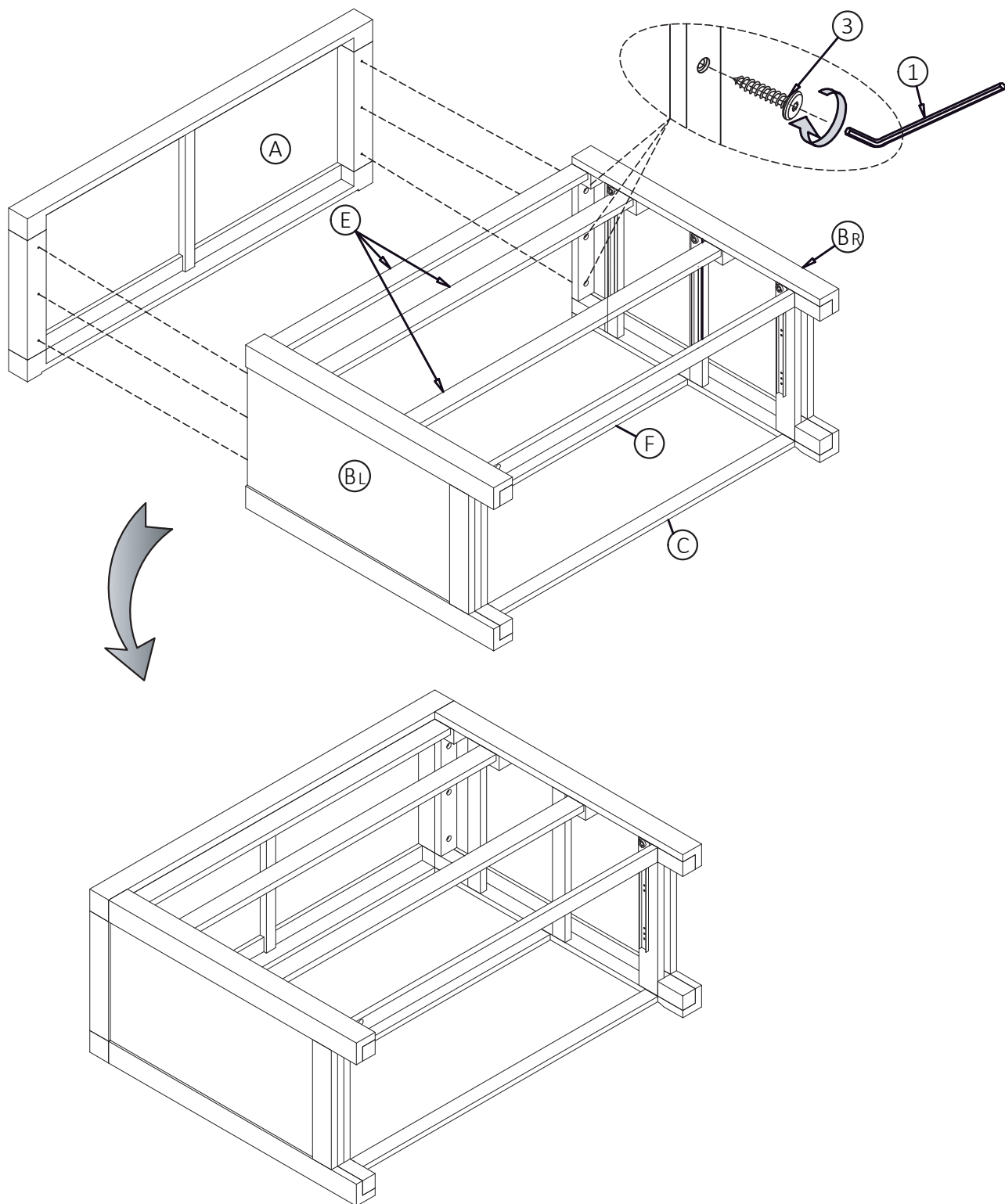


# BANAK

# LILAND

LD-0101

8

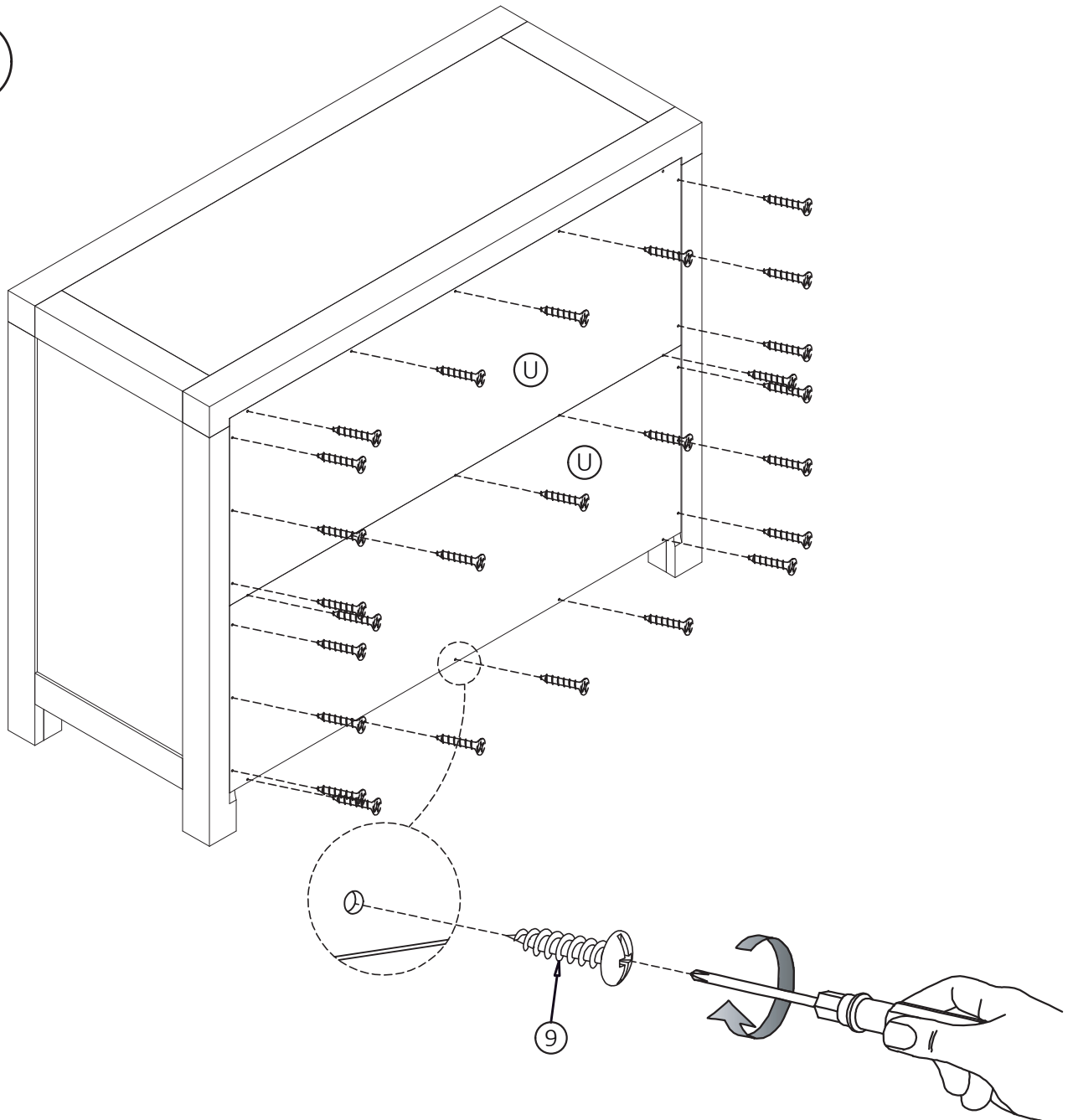


# BANAK

# LILAND

LD-0101

9

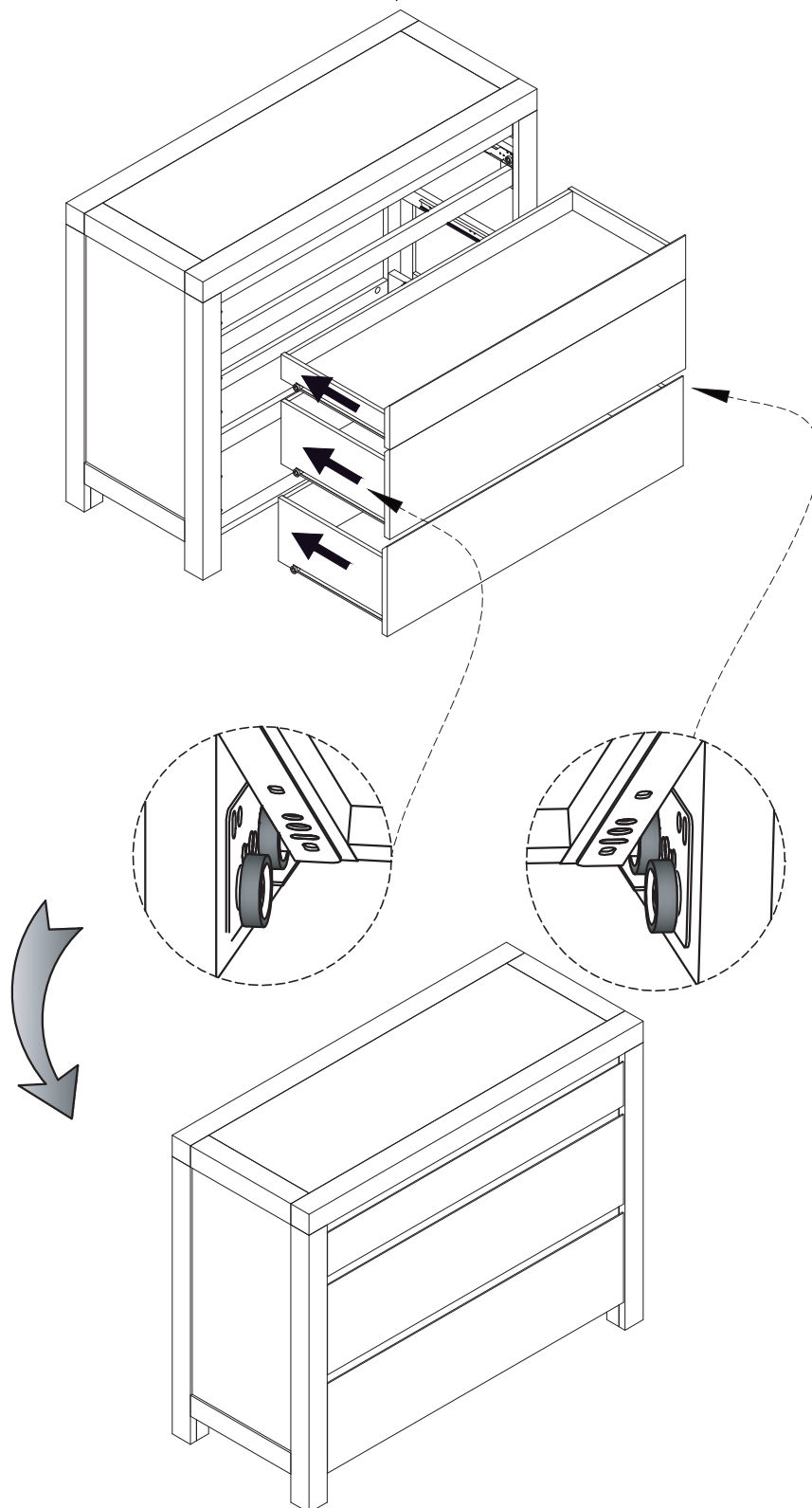


# BANAK

# LILAND

LD-0101

10



# BANAK

# LILAND

LD-0101

11

