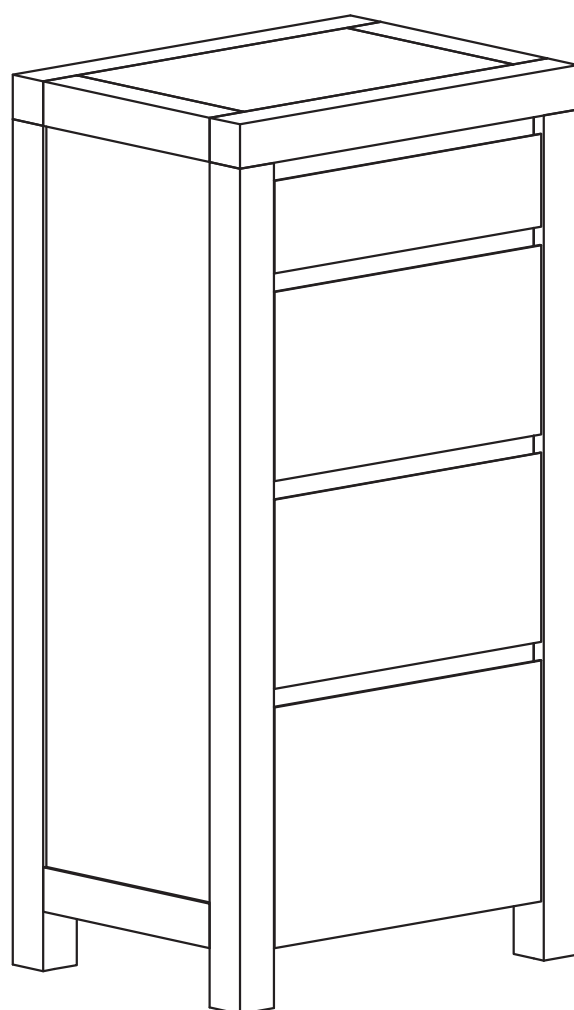


BANAK

LILAND

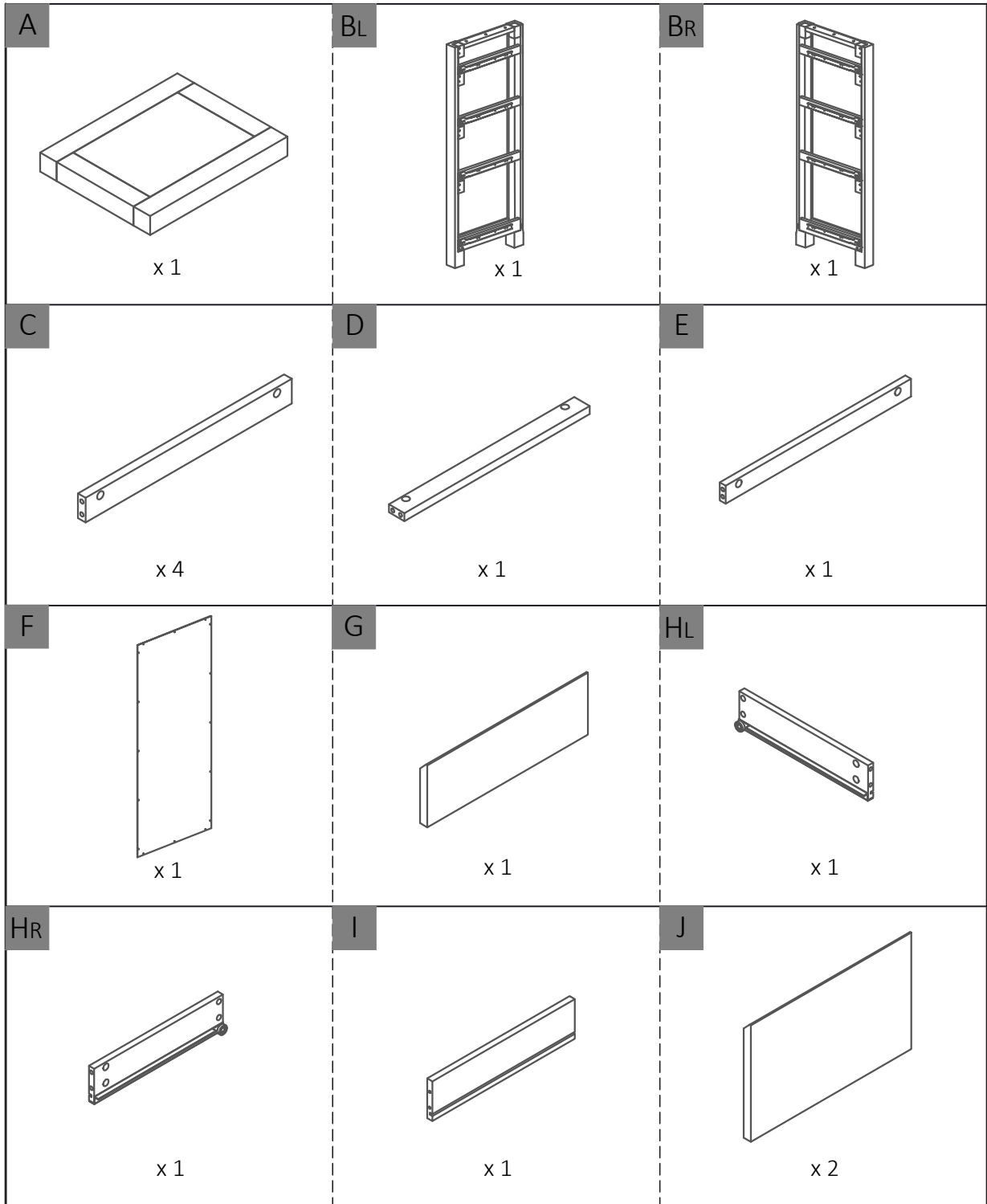
LD-0102



BANAK

LILAND

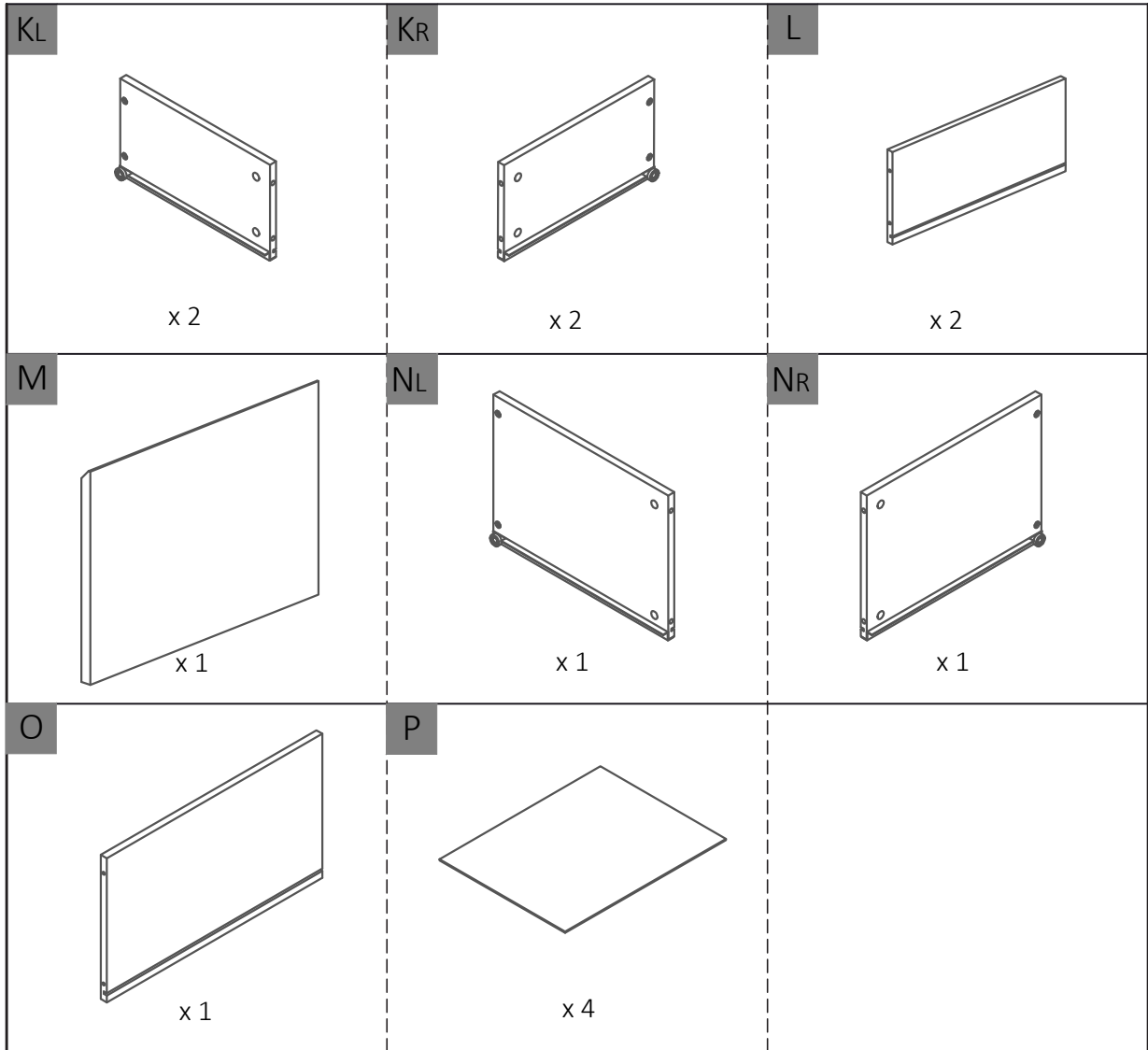
LD-0102



BANAK

LILAND

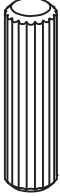

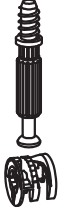
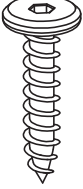

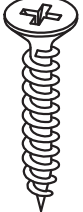

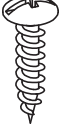
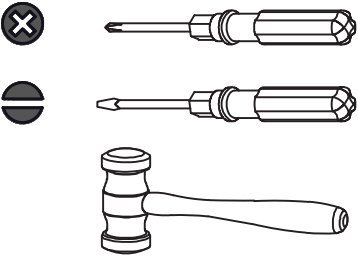

LD-0102



BANAK

LILAND

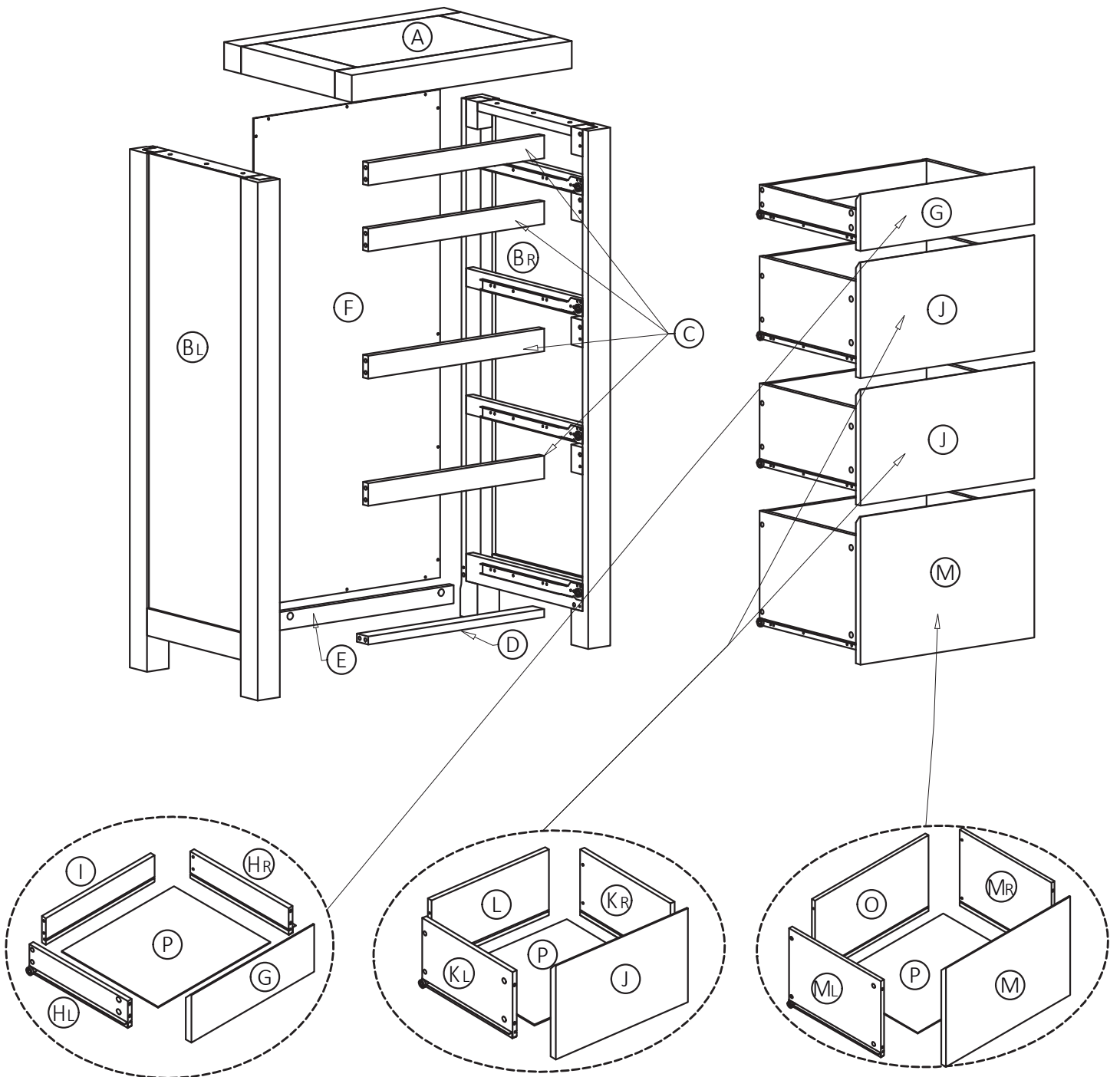
LD-0102

<p>1</p>  <p>Ø8 X 30mm x 12</p>	<p>2</p>  <p>x 1</p>	<p>3</p>  <p>Ø15x10 x 12</p>	<p>4</p>  <p>M6 X 30mm x 6</p>
<p>5</p>  <p>Ø12x10 x 16</p>	<p>6</p>  <p>M4 X 30mm x 16</p>	<p>7</p>  <p>M8 X 8mm x 16</p>	<p>8</p>  <p>M4 X 15mm x 16</p>
 			

BANAK

LILAND

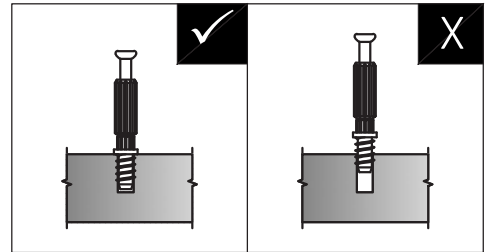
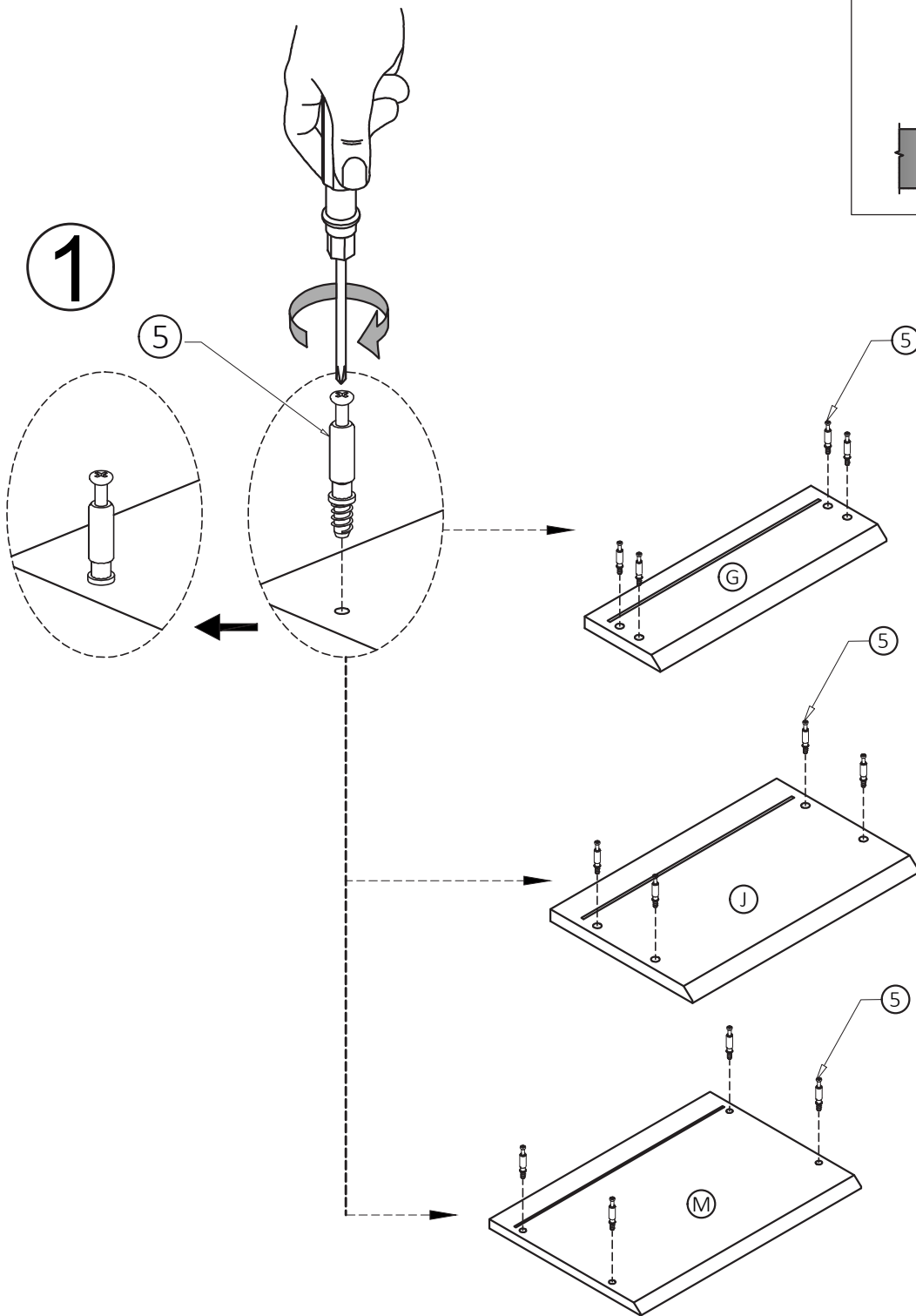
LD-0102



BANAK

LILAND

LD-0102

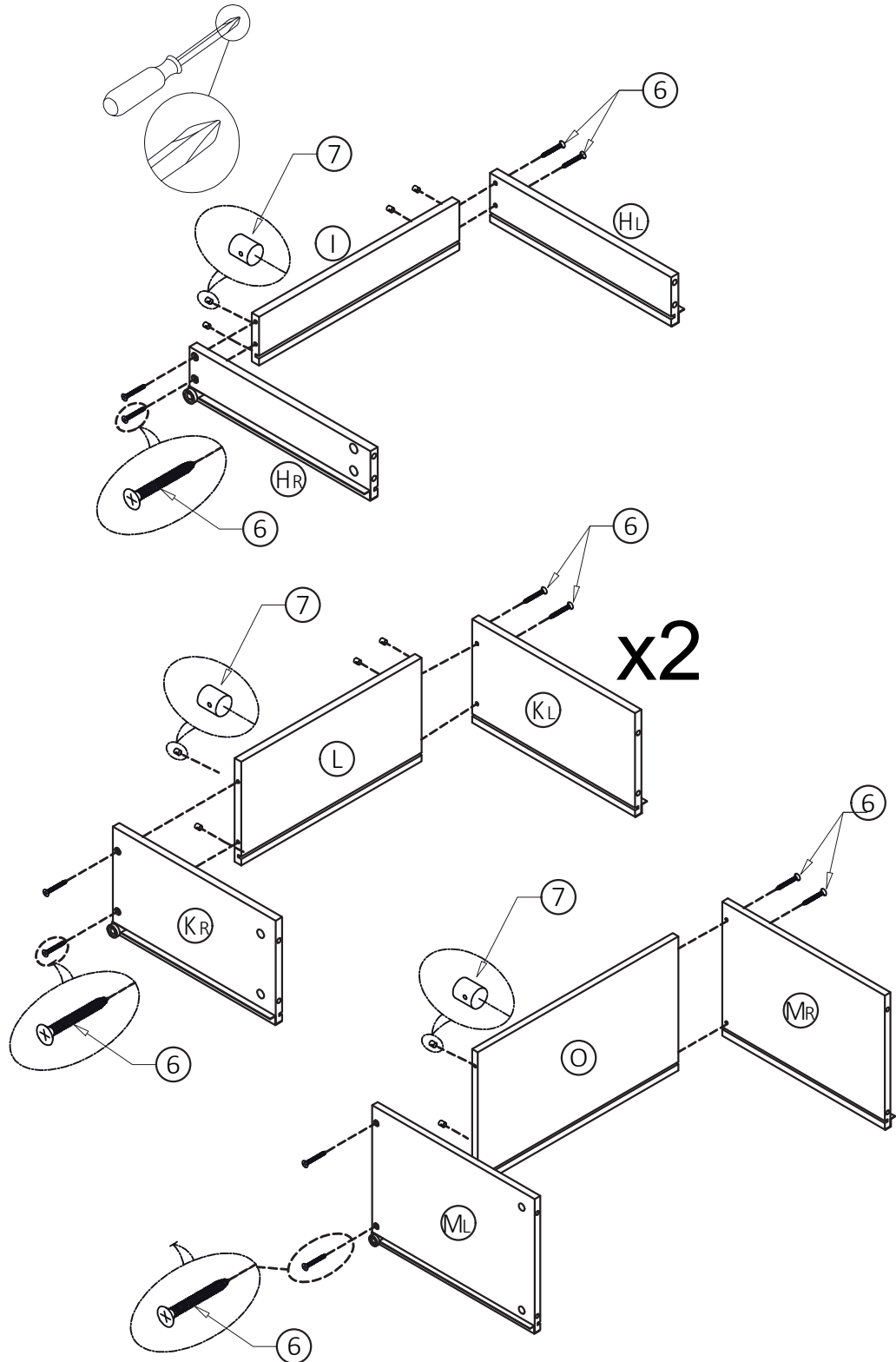


BANAK

LILAND

LD-0102

2

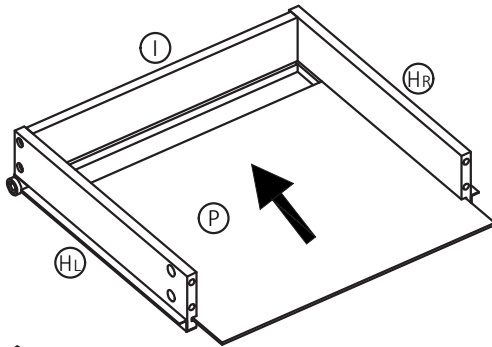


BANAK

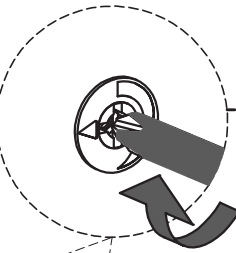
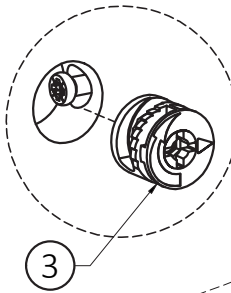
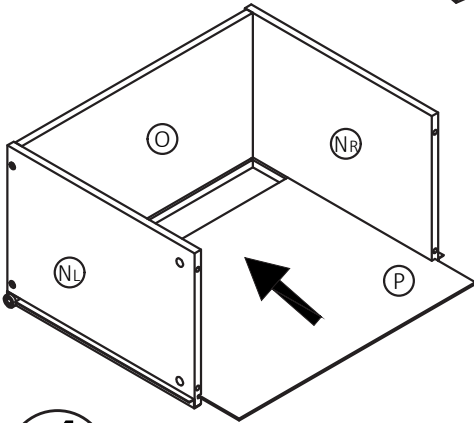
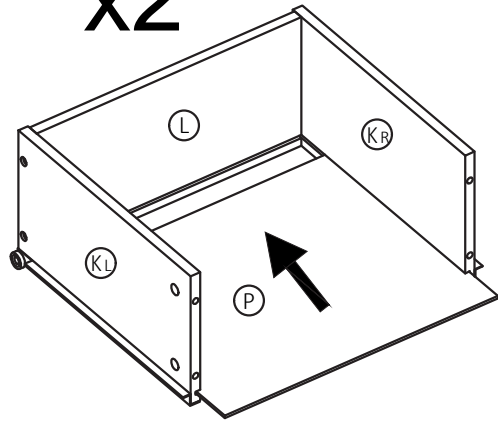
LILAND

LD-0102

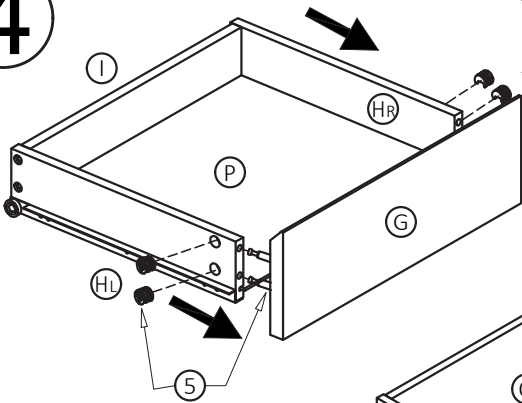
3



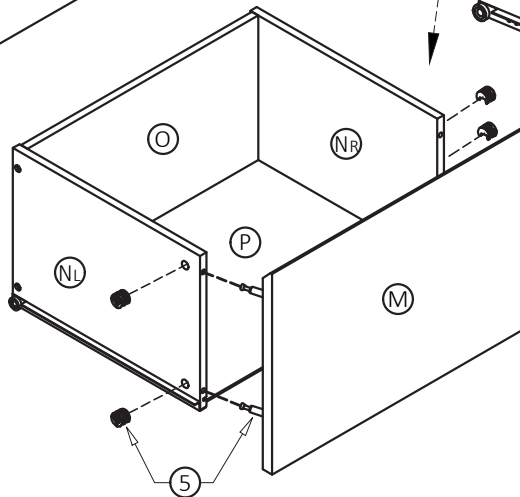
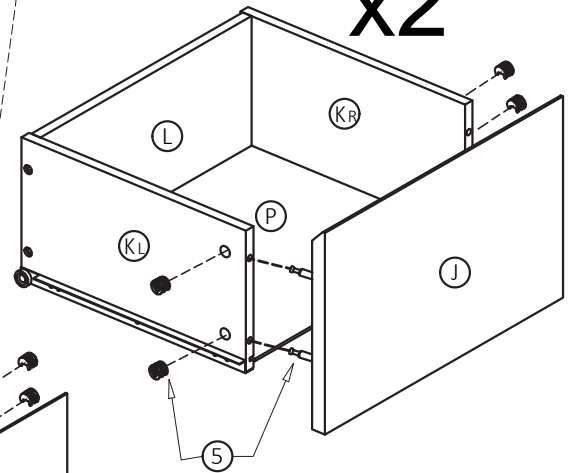
x2



4



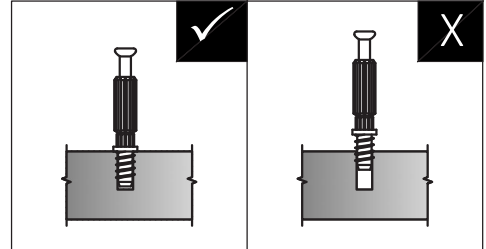
x2



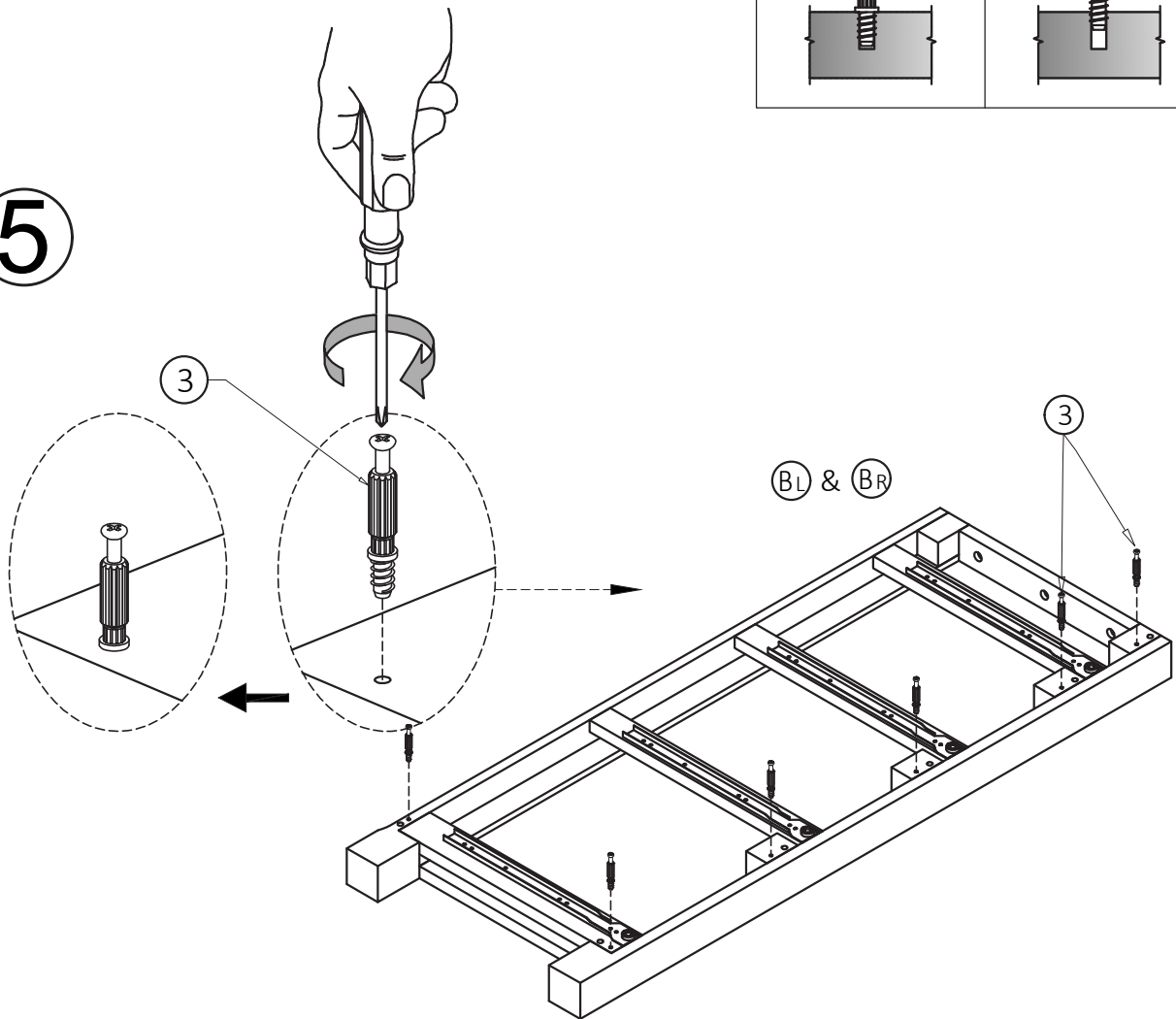
BANAK

LILAND

LD-0102



5

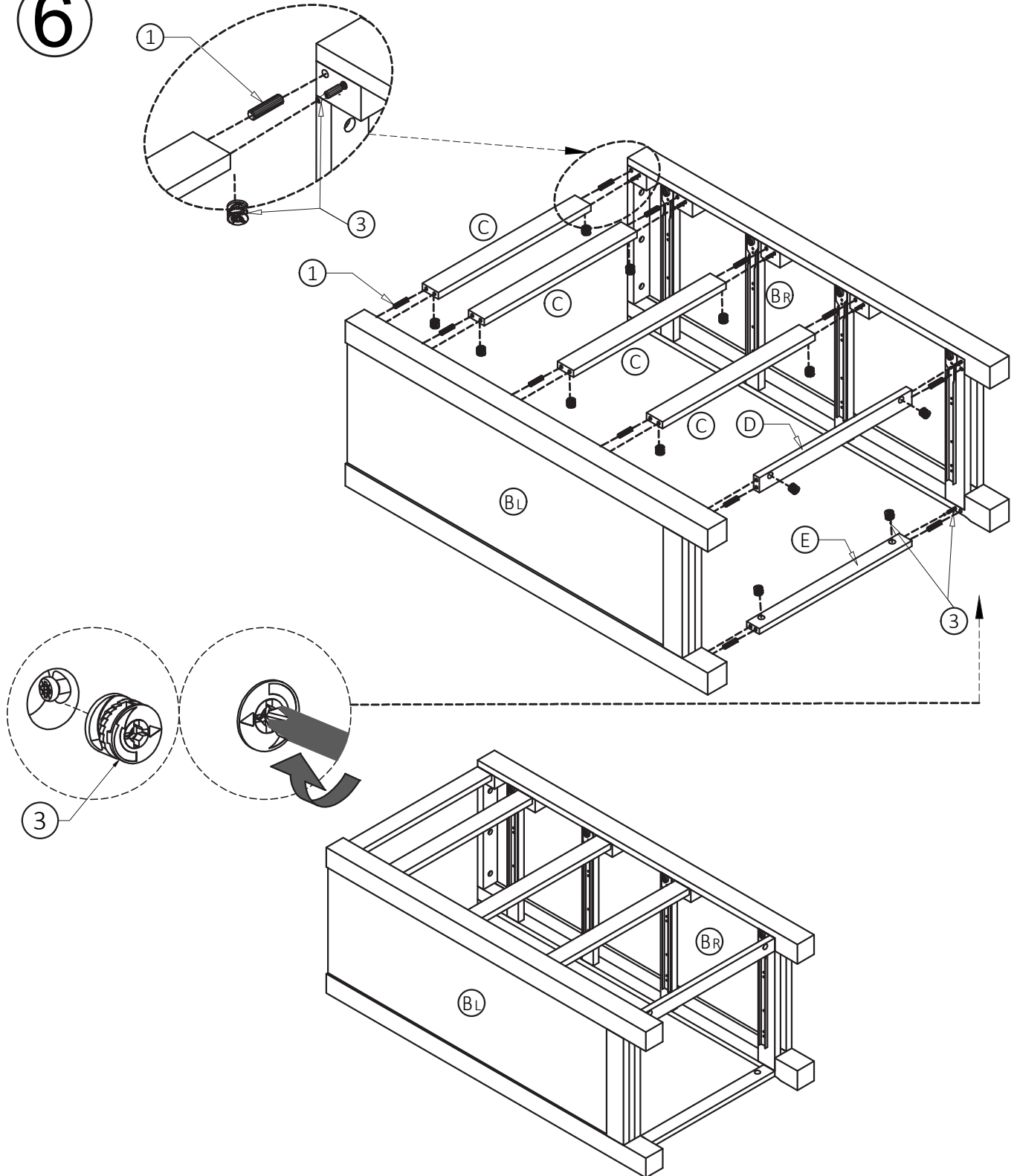


BANAK

LILAND

LD-0102

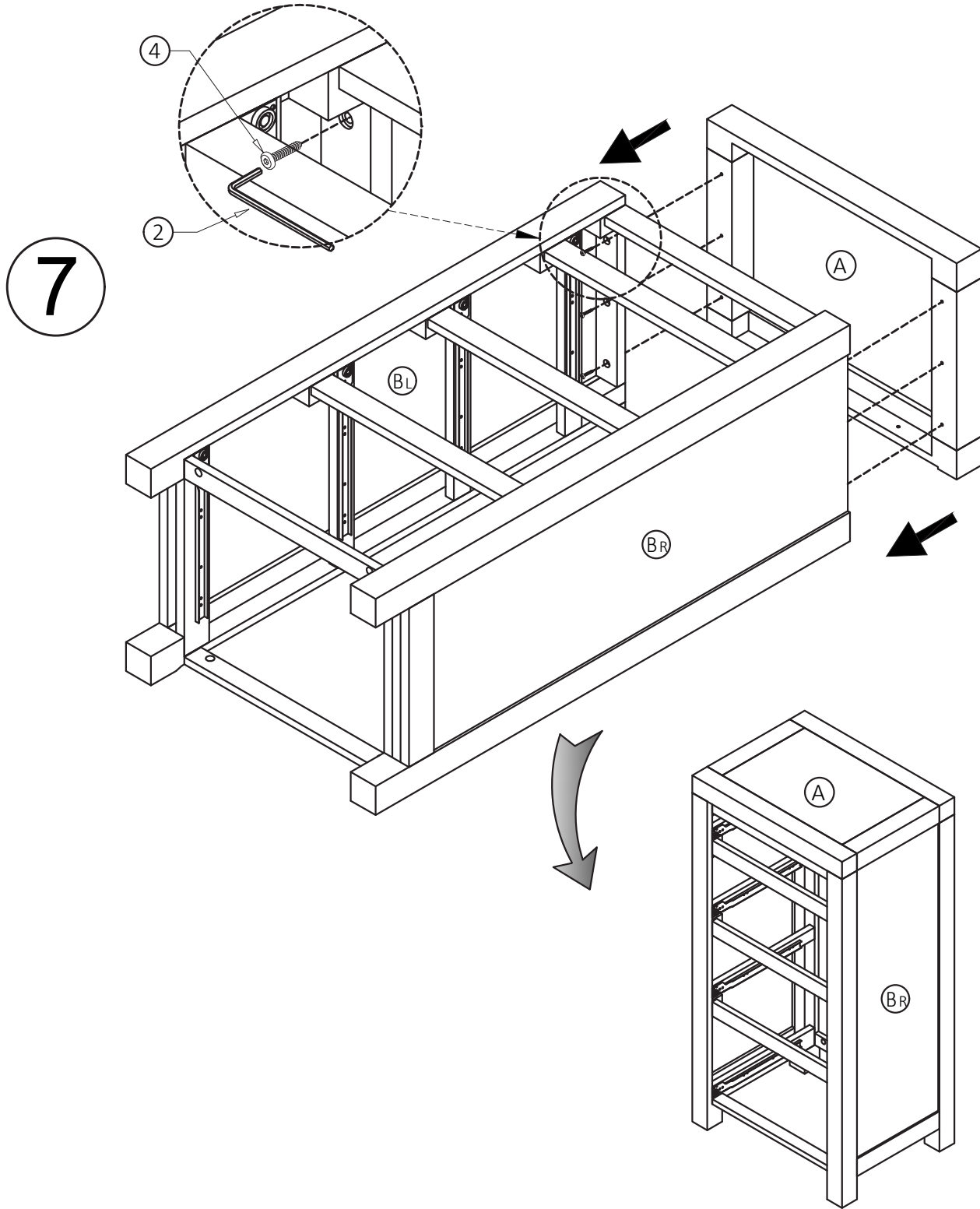
6



BANAK

LILAND

LD-0102

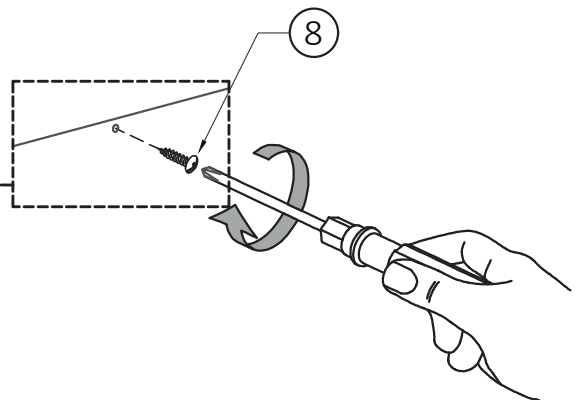
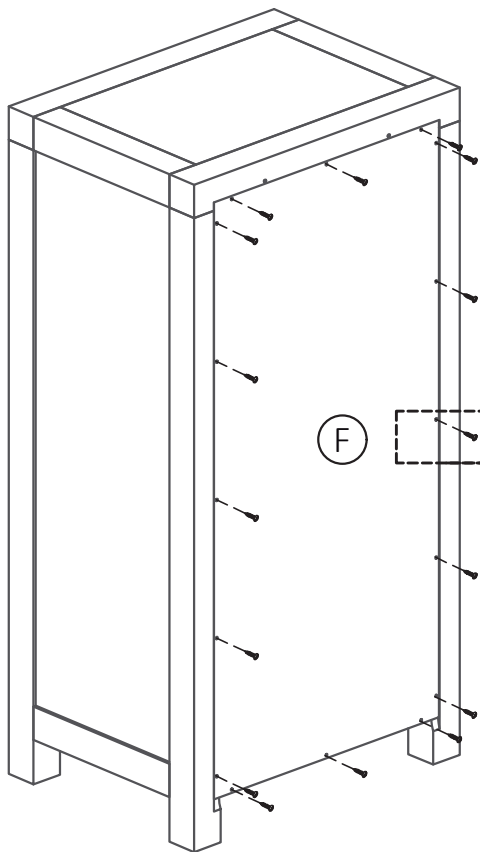
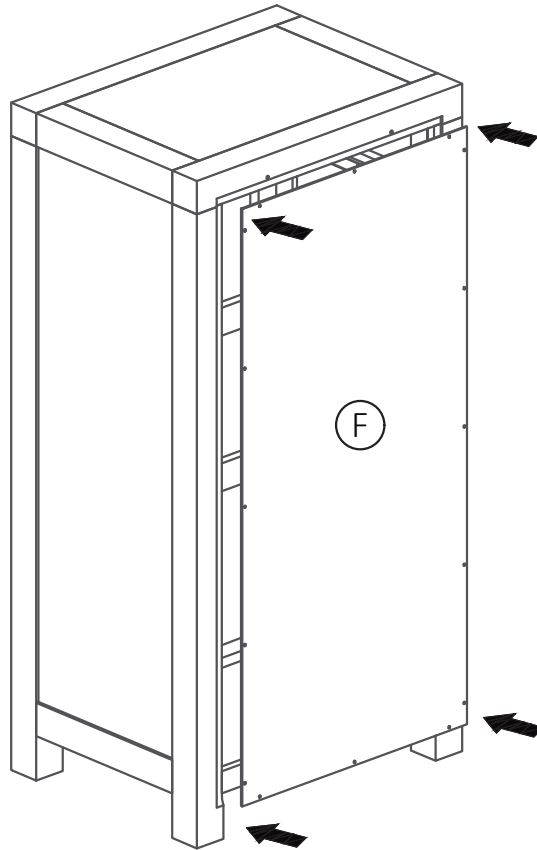


BANAK

LILAND

LD-0102

8

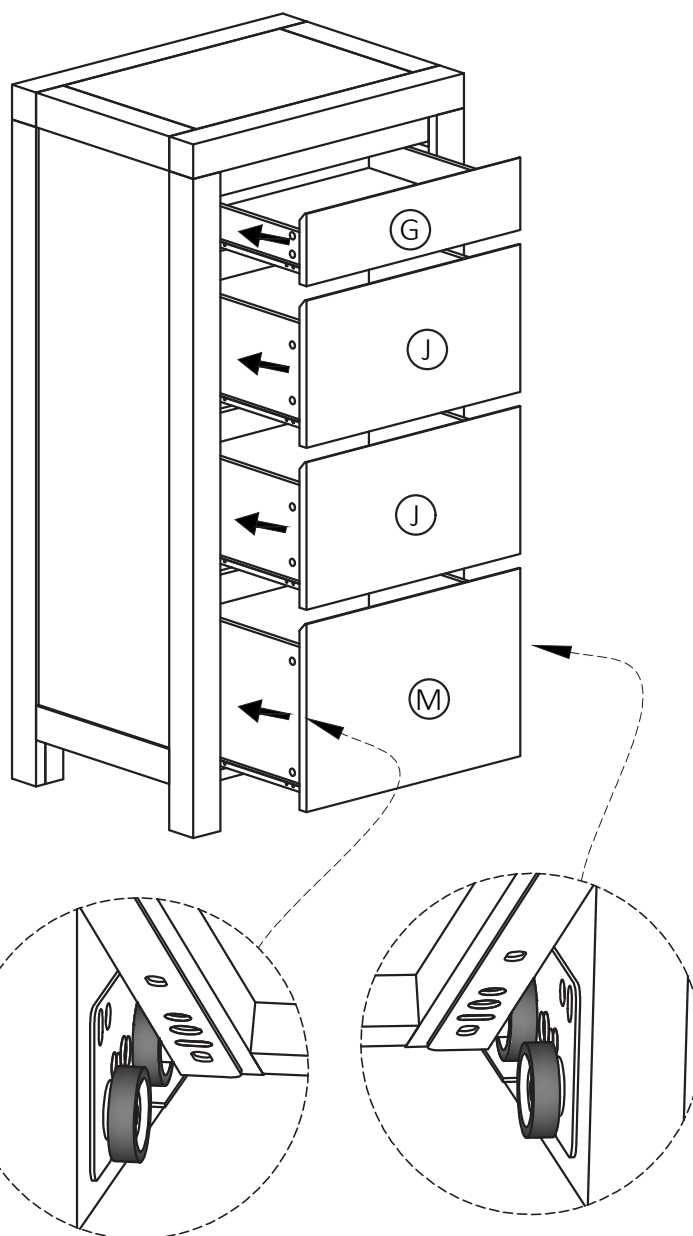
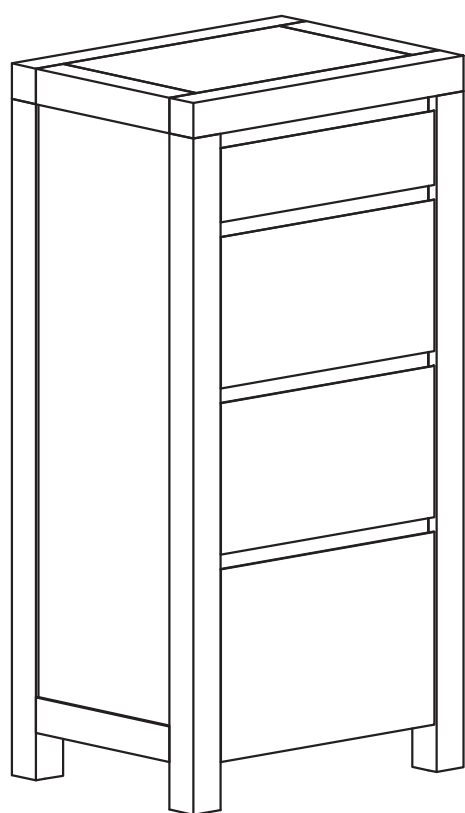


BANAK

LILAND

LD-0102

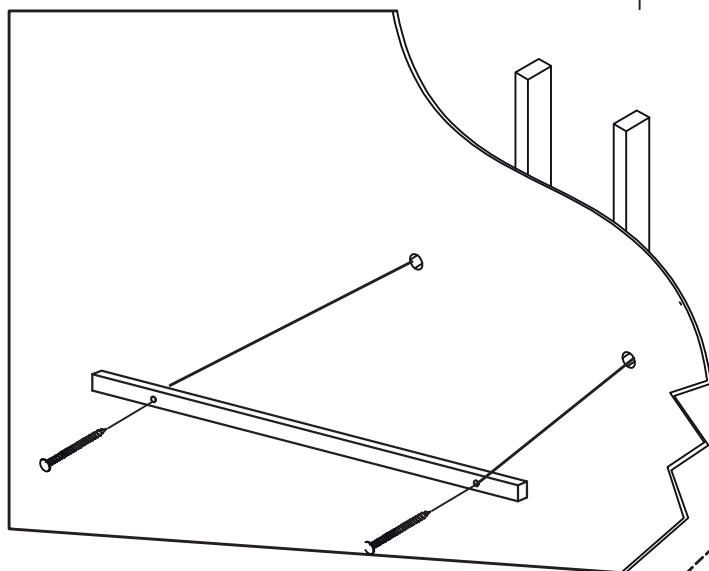
9



BANAK

LILAND

LD-0102



10

