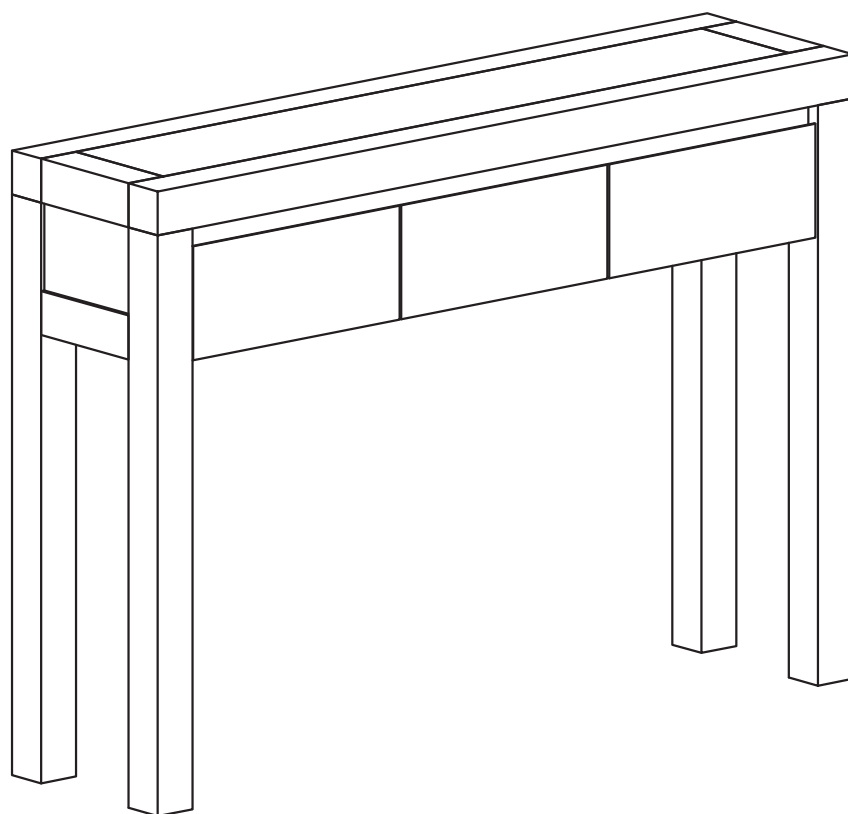


# BANAK

# LILAND

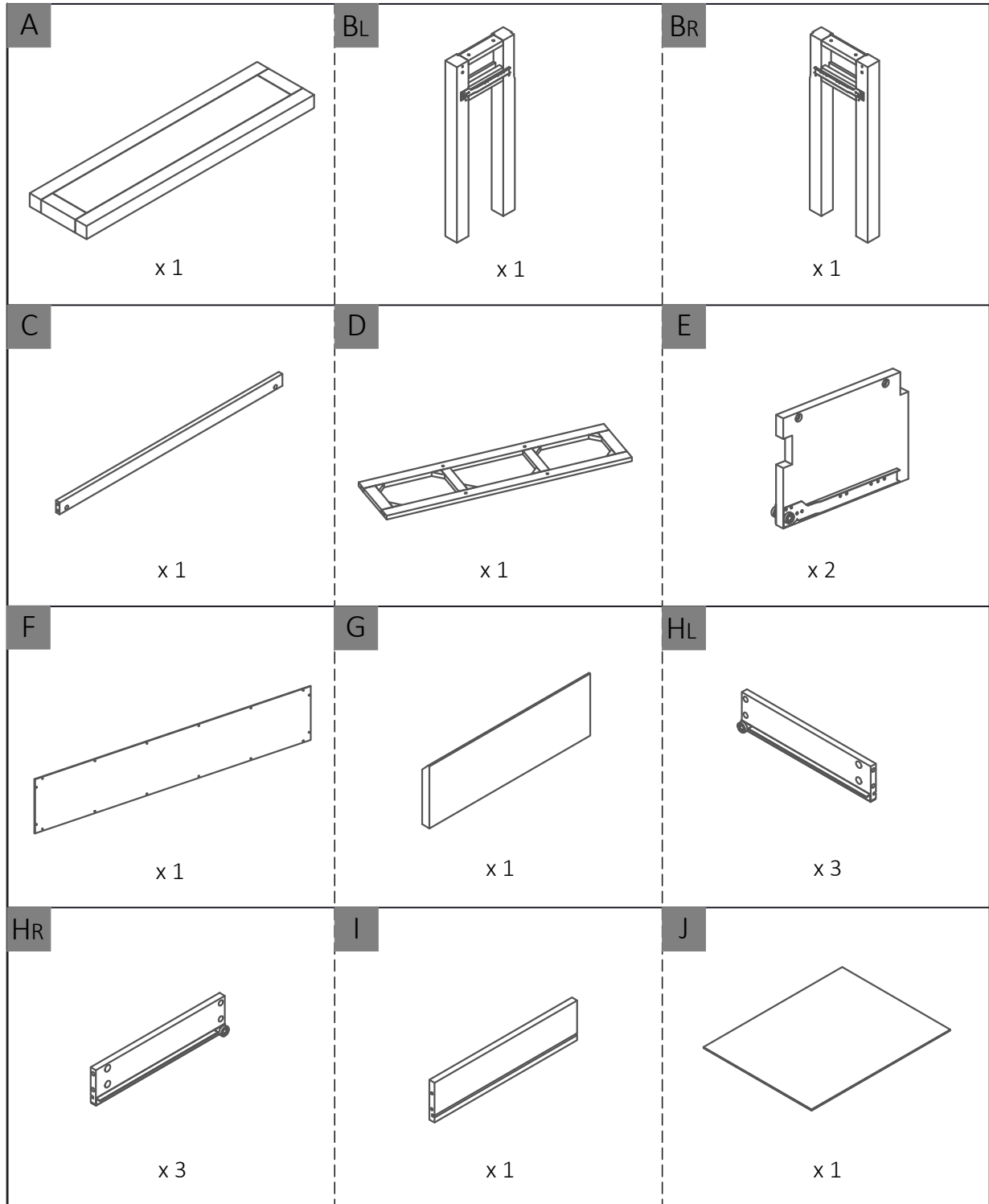
LD-0108



# BANAK

# LILAND

LD-0108

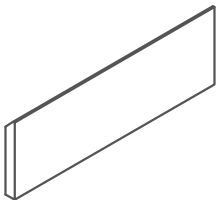


# BANAK

# LILAND

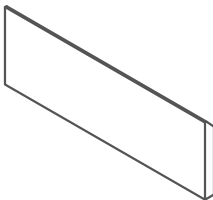
LD-0108

KL



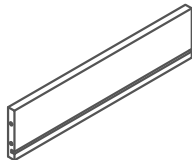
x 1

KR



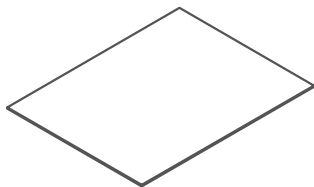
x 1

L



x 2

M

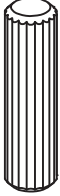

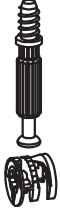
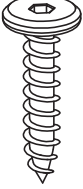

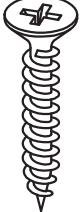

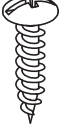
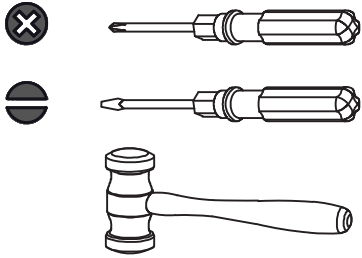



x 2

# BANAK

# LILAND

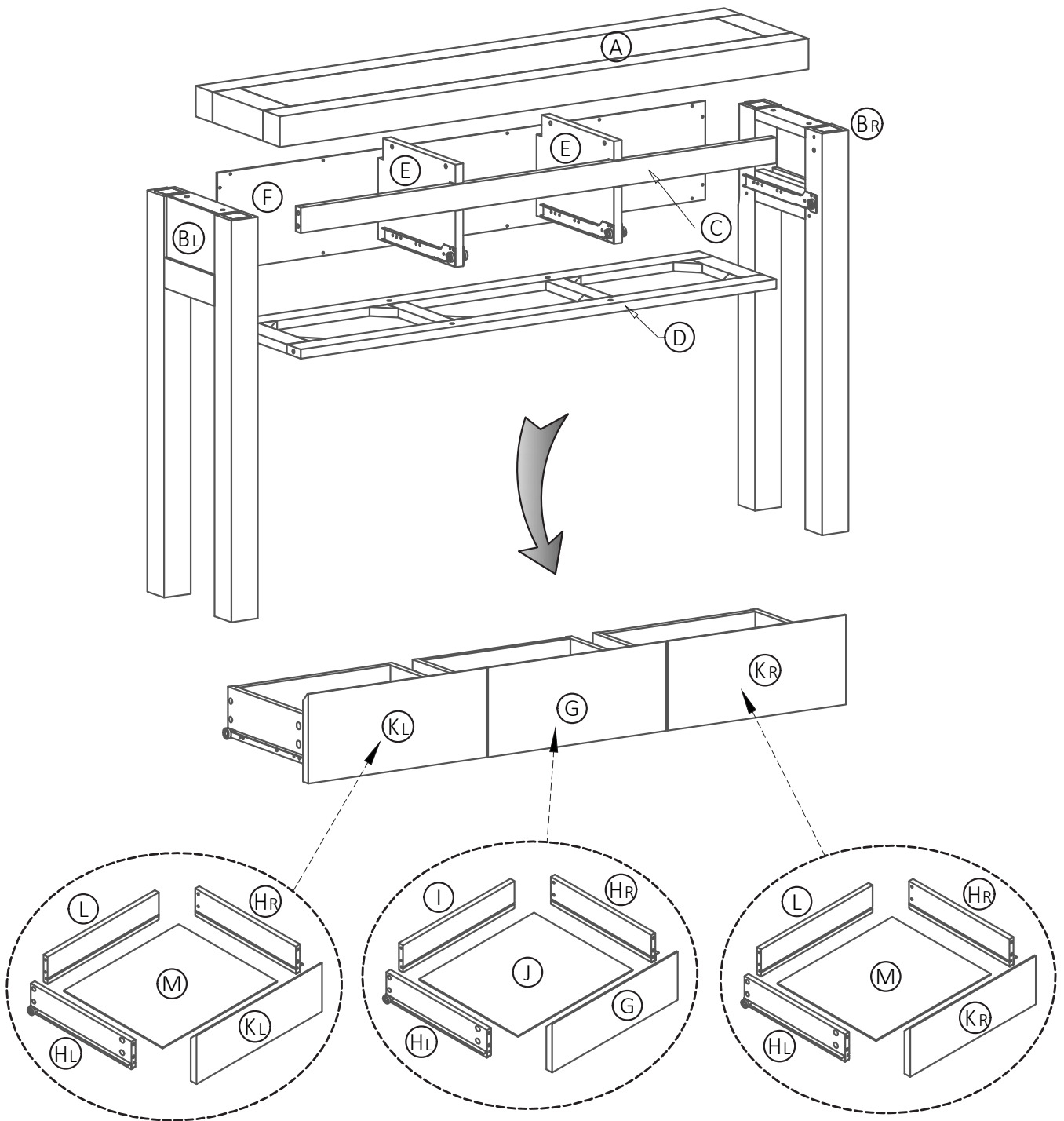
LD-0108

<p>1</p>  <p>Ø8 X 30mm x 2</p>	<p>2</p>  <p>x 1</p>	<p>3</p>  <p>Ø15x10 x 6</p>	<p>4</p>  <p>M6 X 30mm x 12</p>
<p>5</p>  <p>Ø12x10 x 12</p>	<p>6</p>  <p>M4 X 30mm x 12</p>	<p>7</p>  <p>M8 X 8mm x 12</p>	<p>8</p>  <p>M4 X 15mm x 16</p>
 			

# BANAK

# LILAND

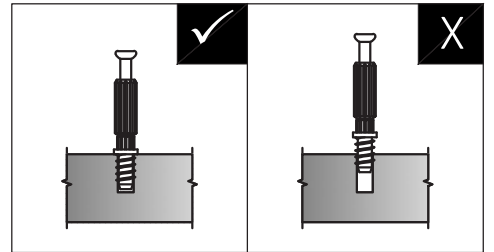
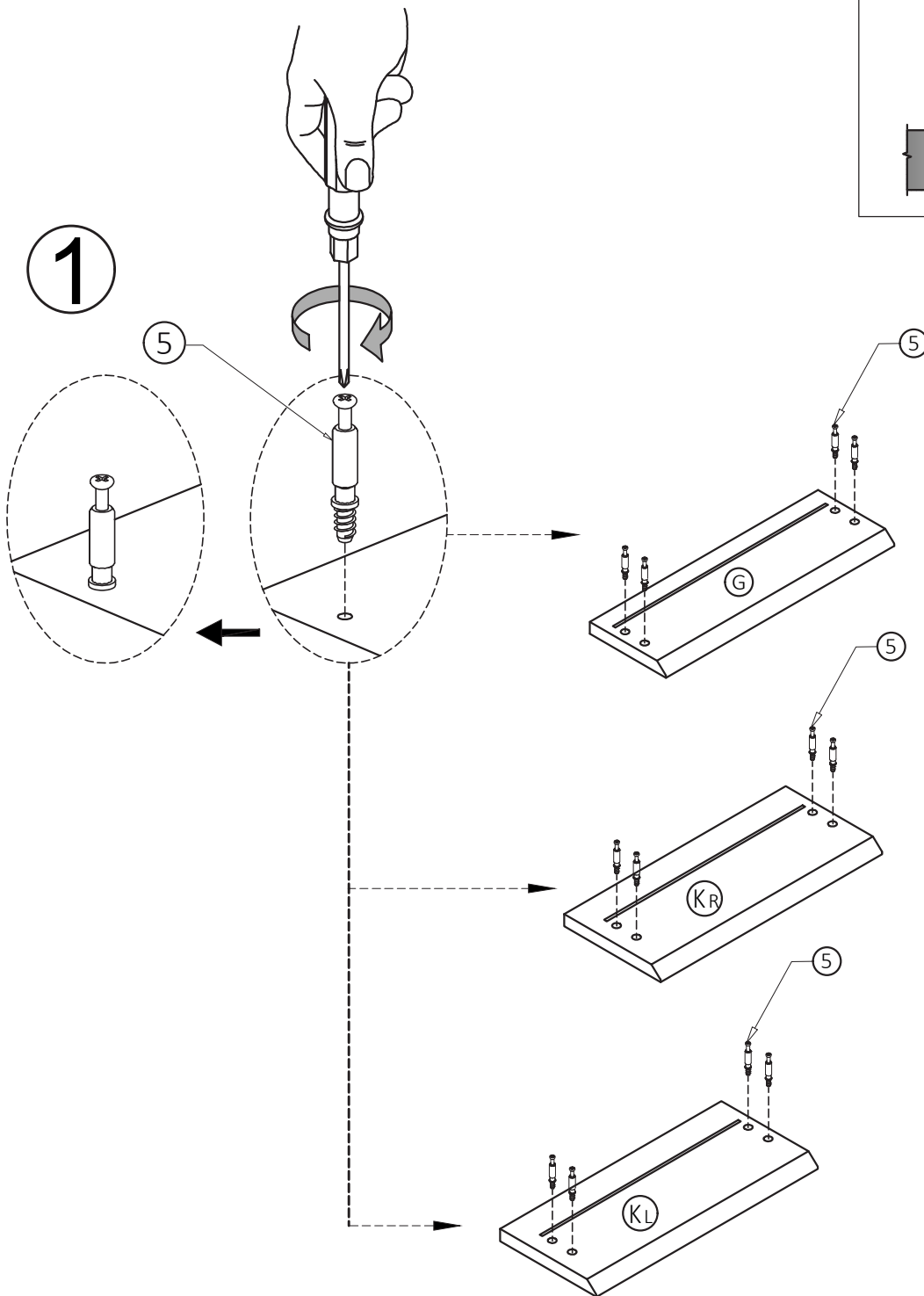
LD-0108



# BANAK

# LILAND

LD-0108

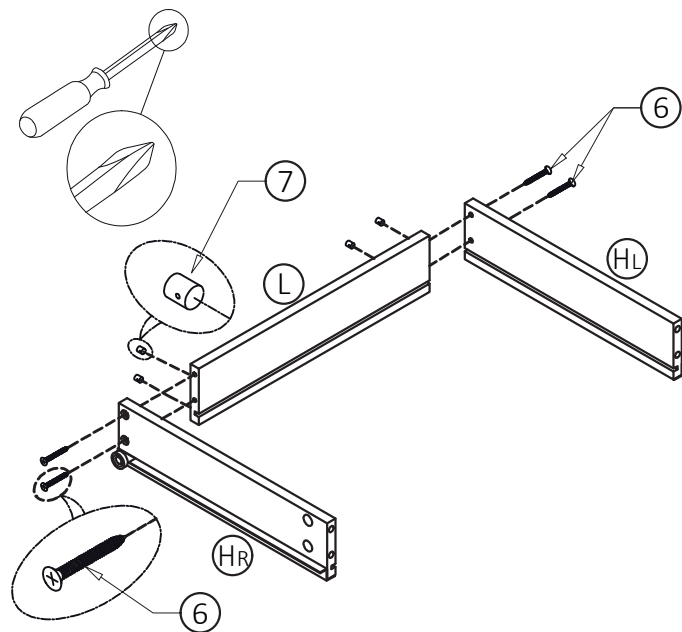
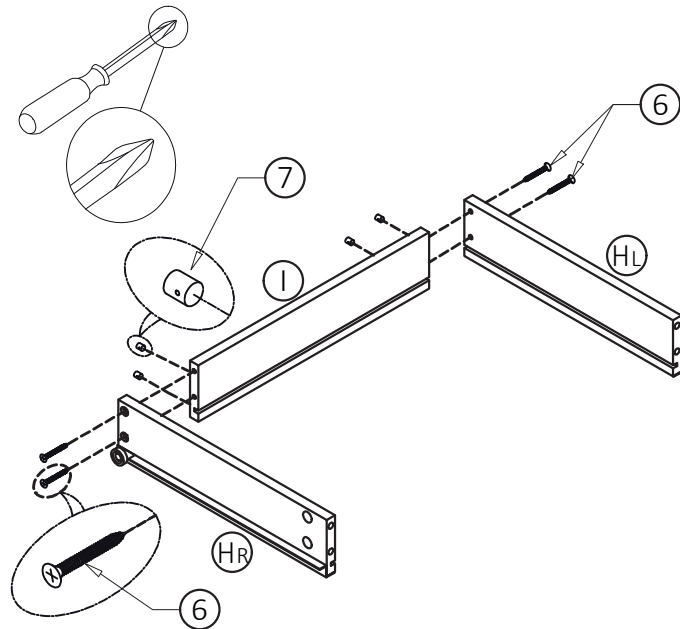


# BANAK

# LILAND

LD-0108

2

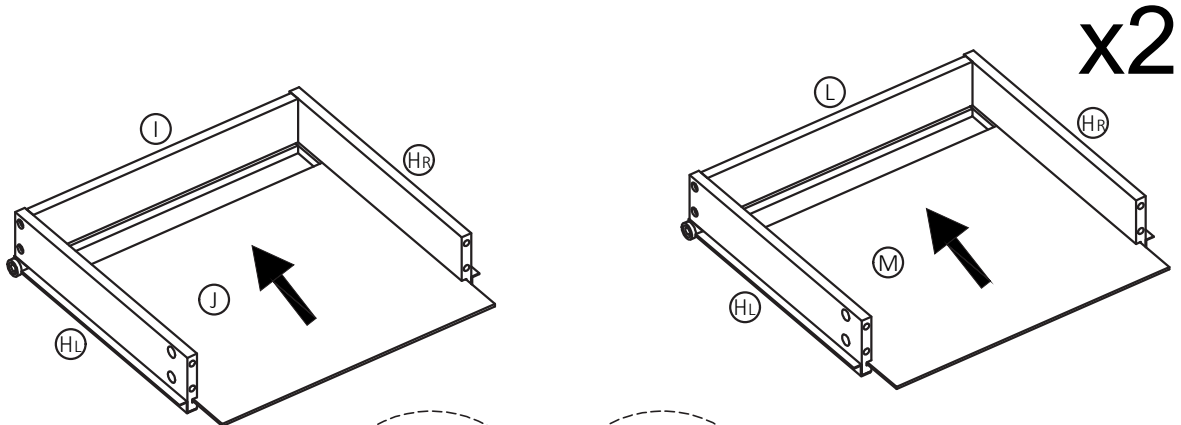


# BANAK

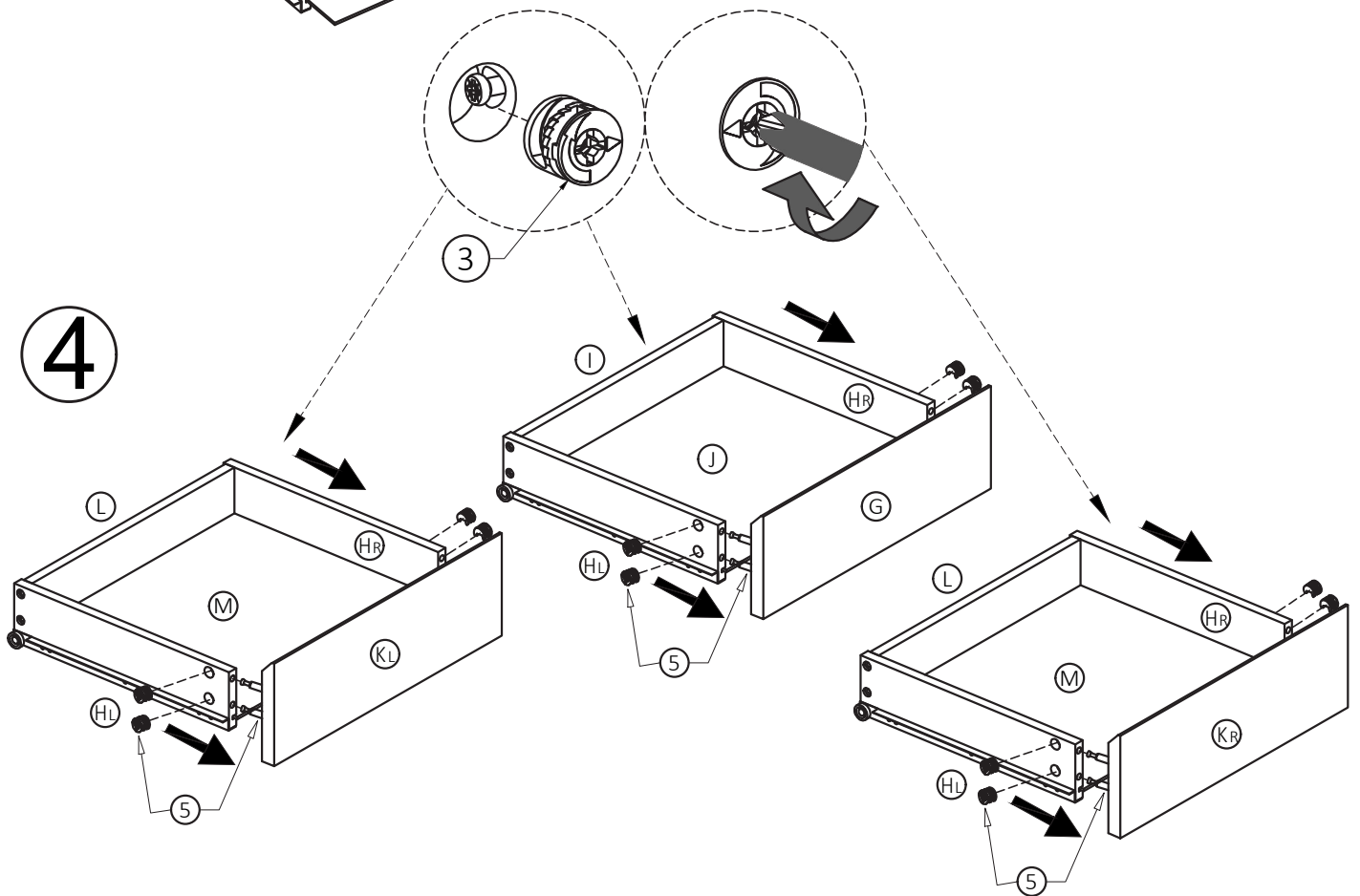
# LILAND

LD-0108

3



4

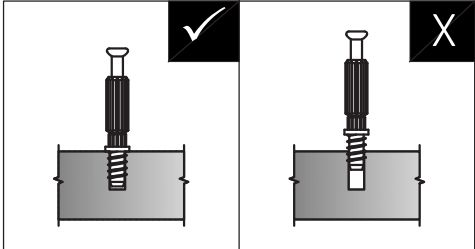




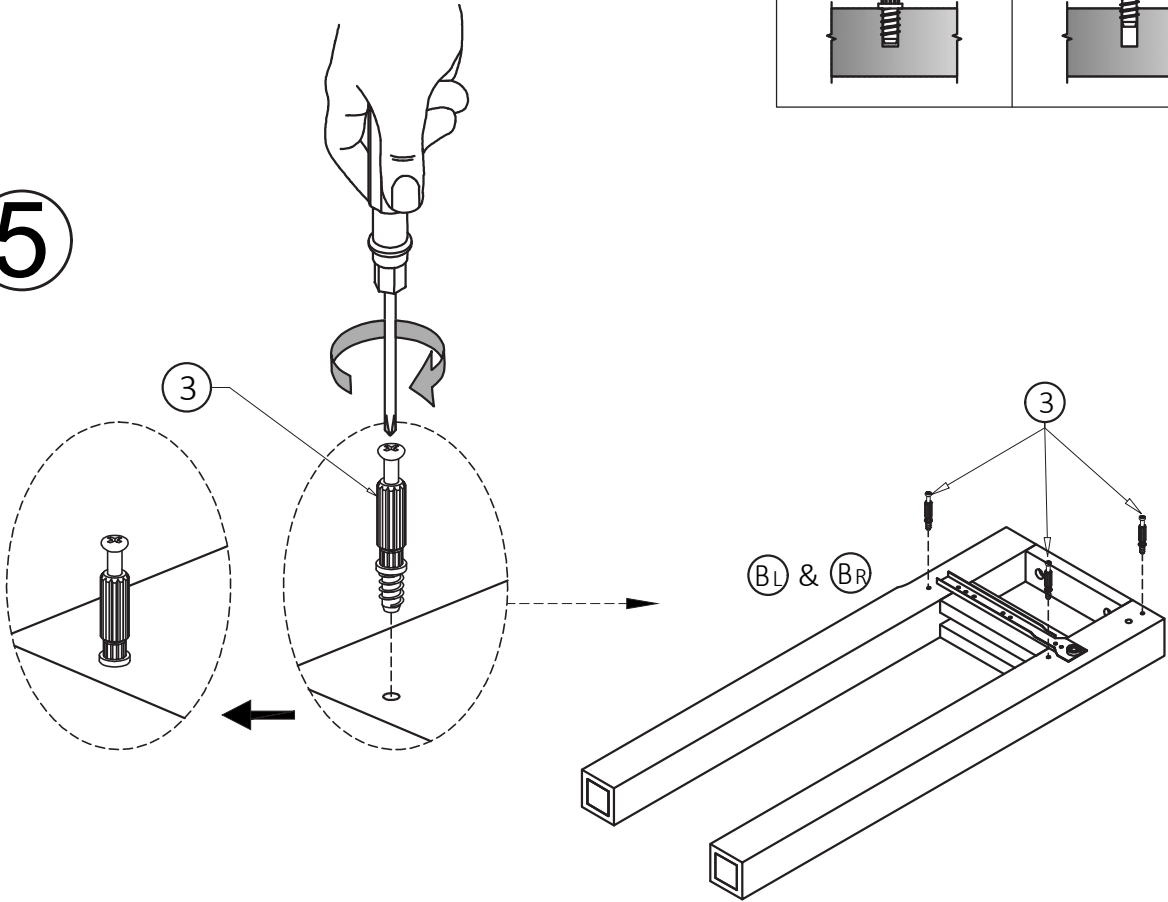
# BANAK

# LILAND

LD-0108



5

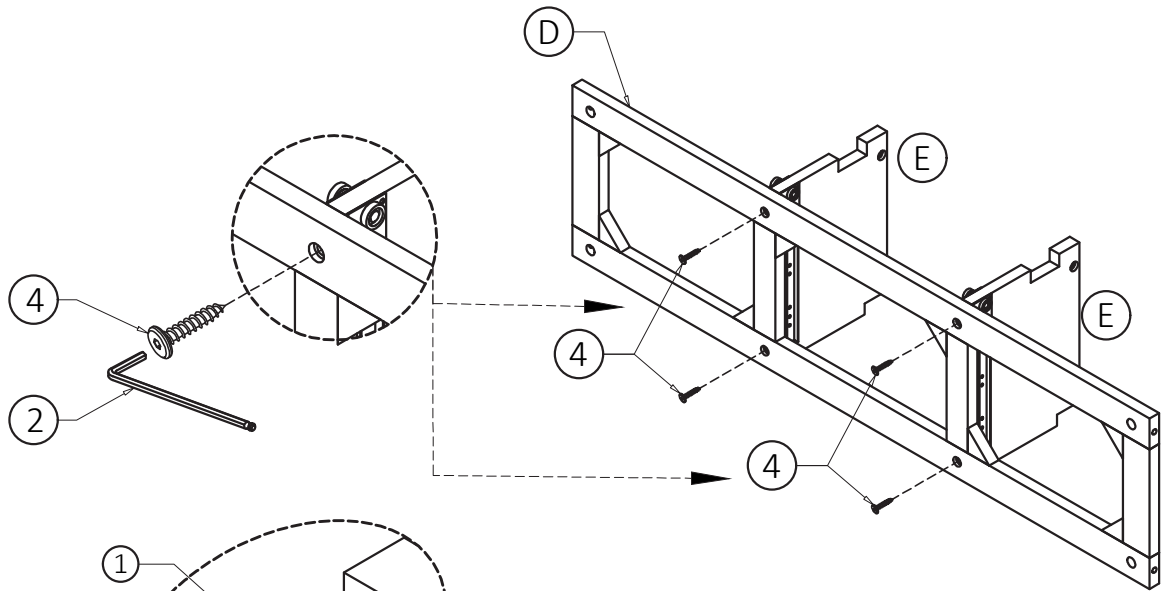


# BANAK

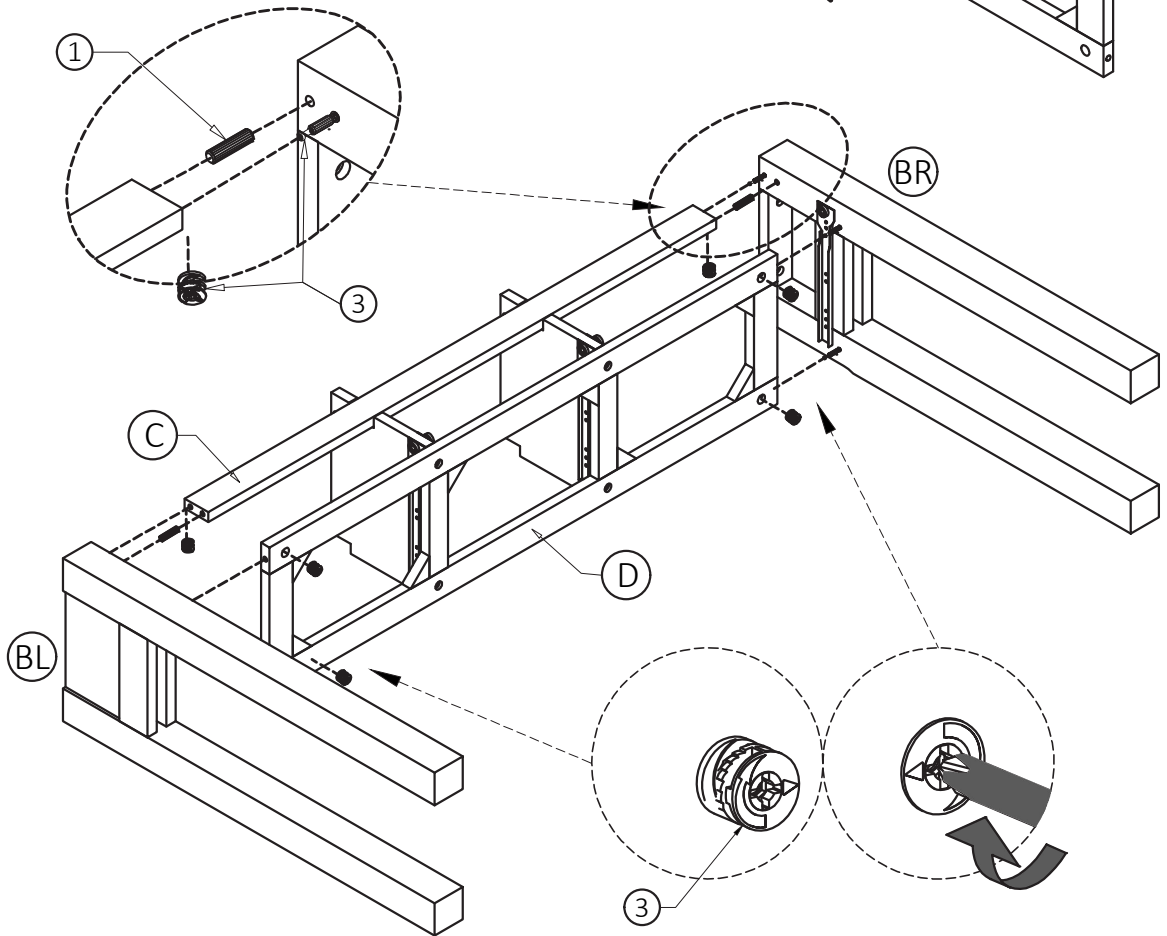
# LILAND

LD-0108

6



7

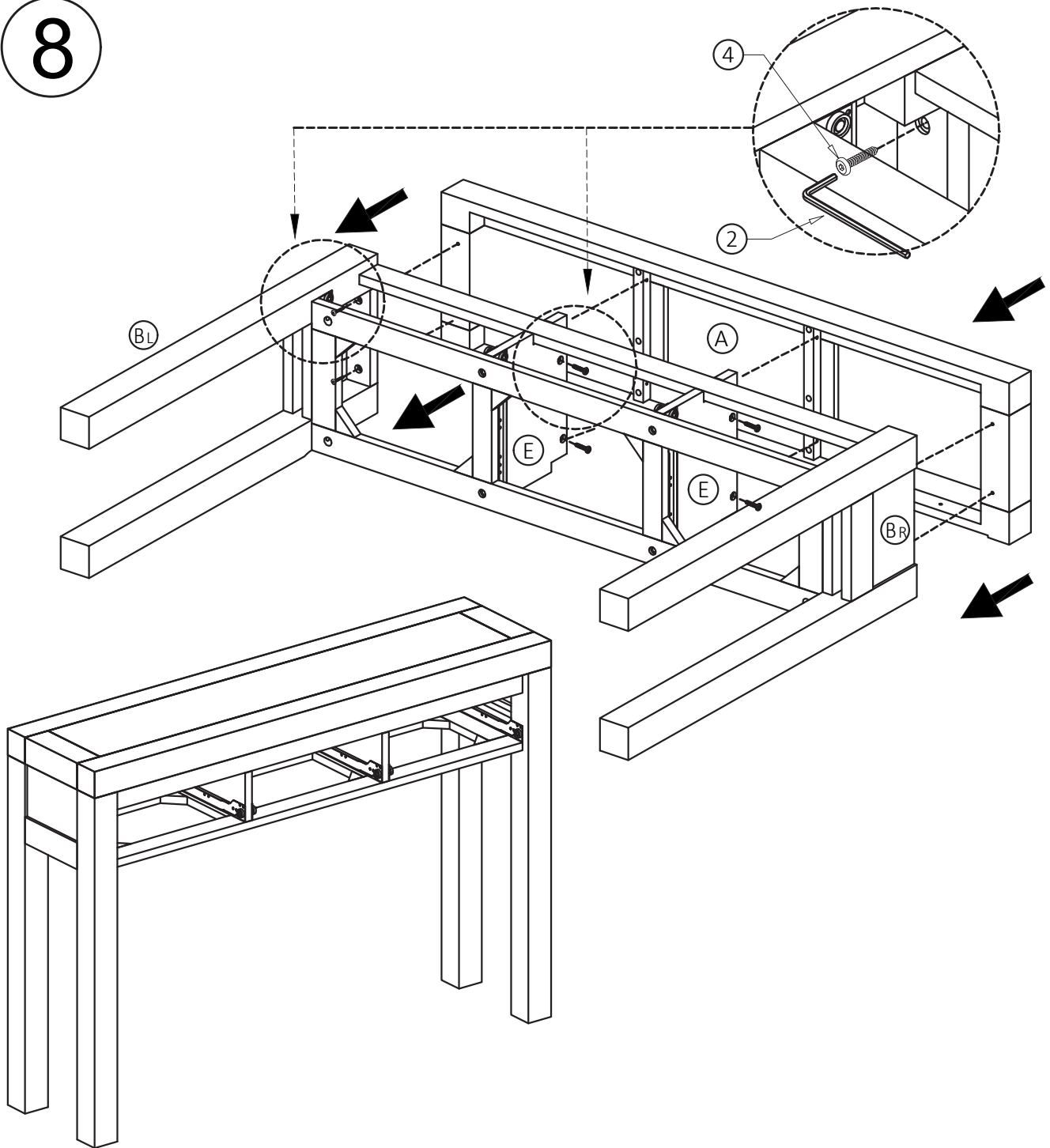


# BANAK

# LILAND

LD-0108

8

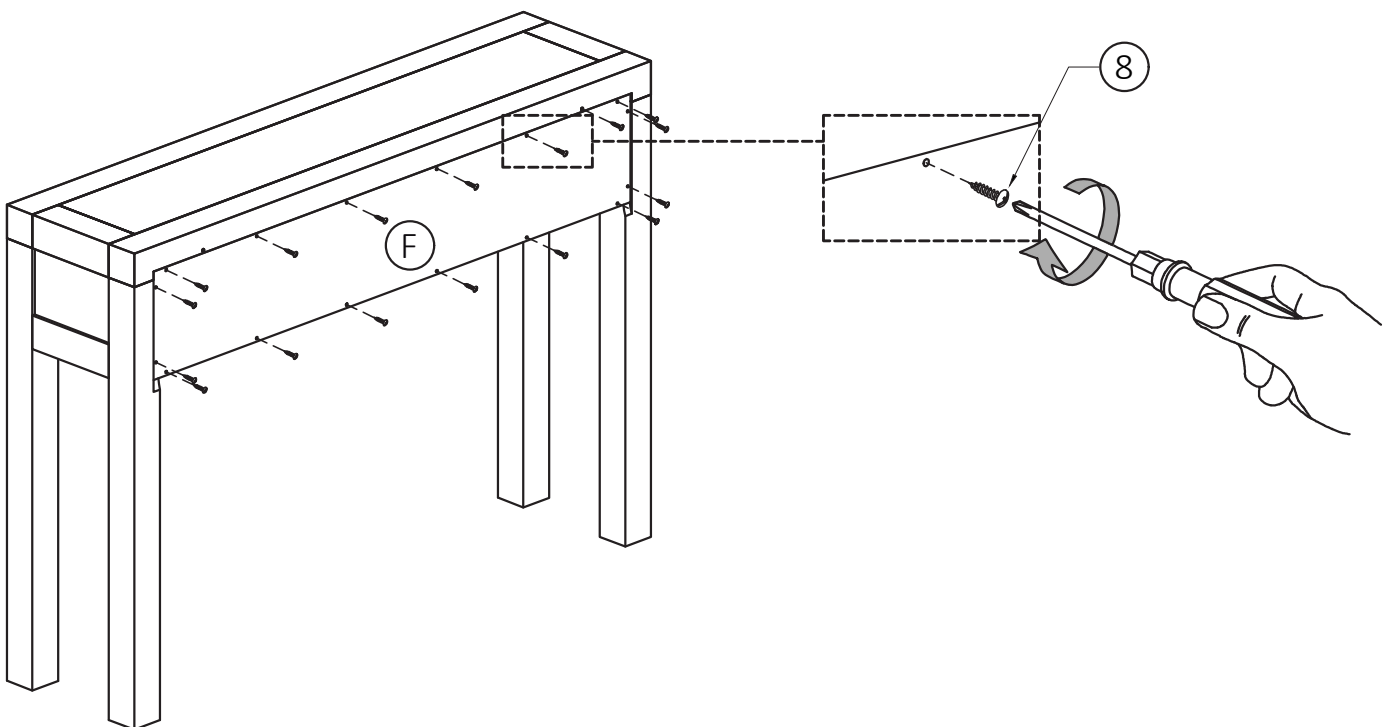
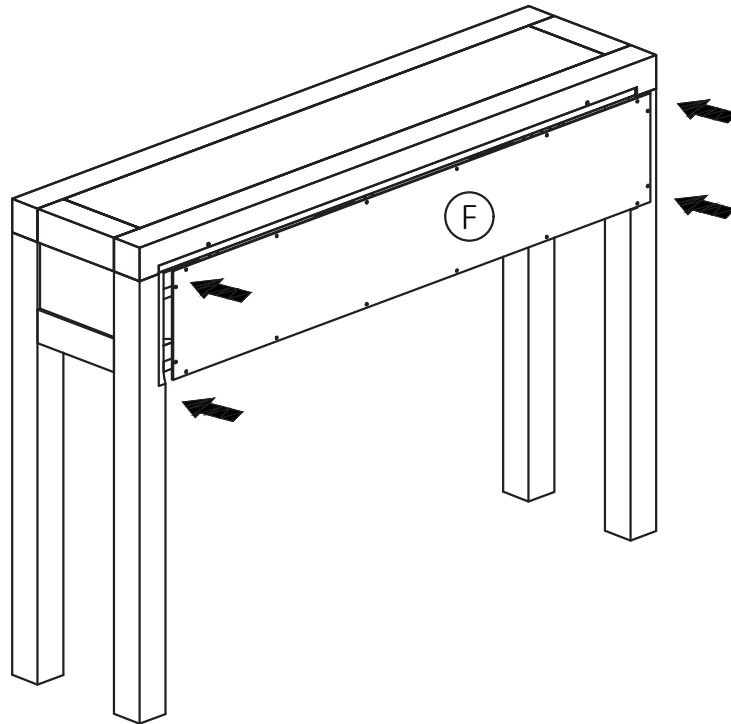


# BANAK

# LILAND

LD-0108

9

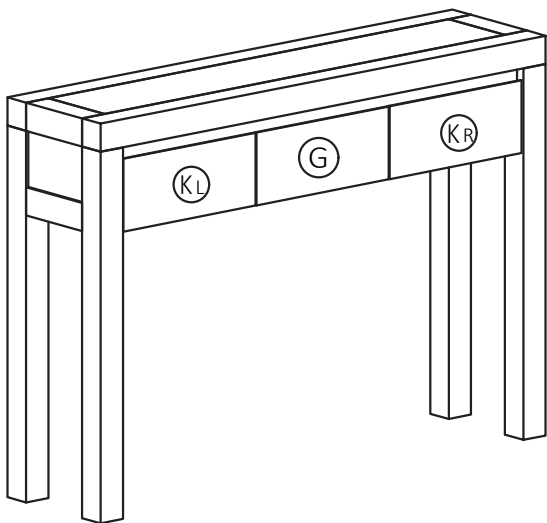
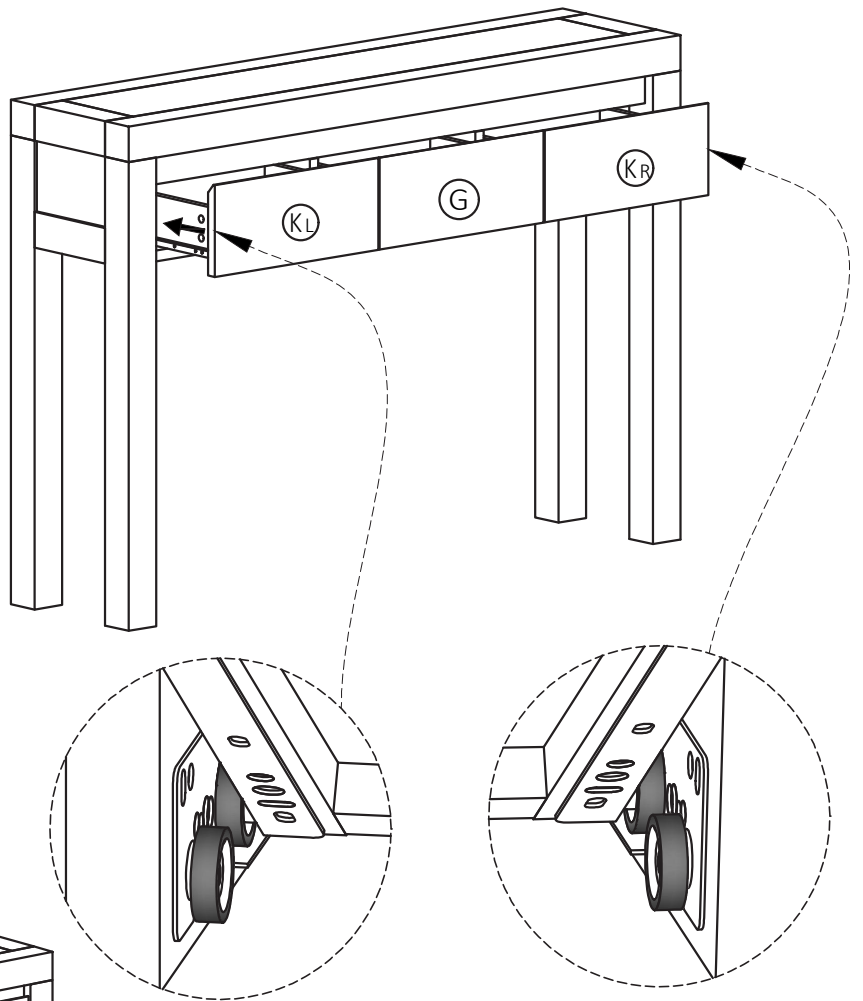


# BANAK

# LILAND

LD-0108

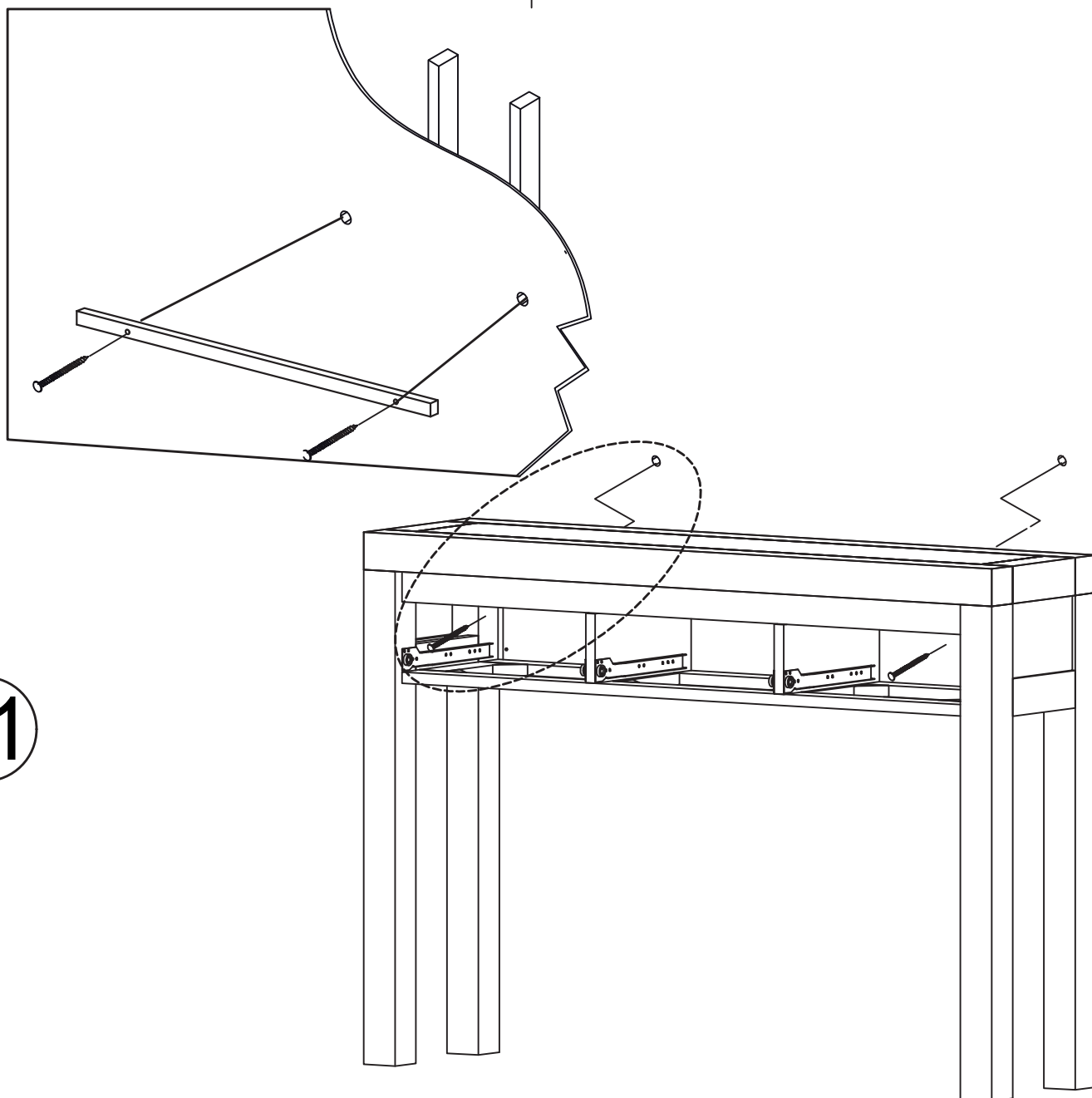
10



# BANAK

# LILAND

LD-0108



11