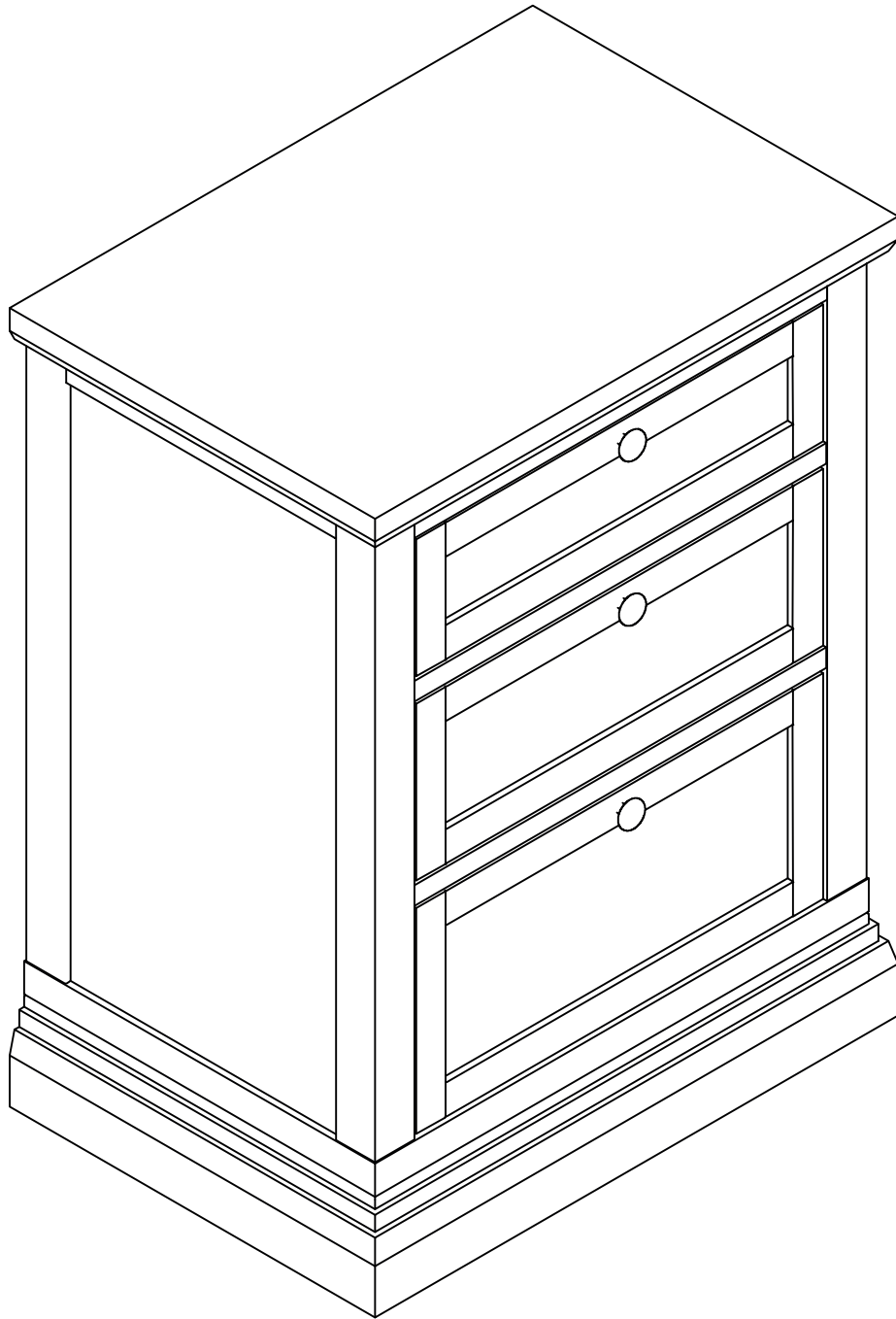


# BANAK

# NANTES

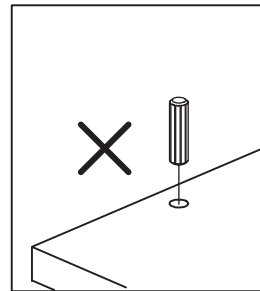
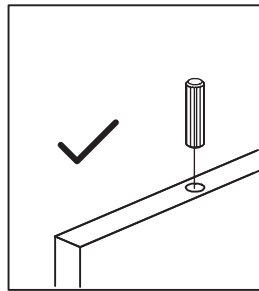
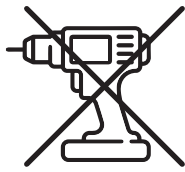
NT-0001BC



# BANAK

# NANTES

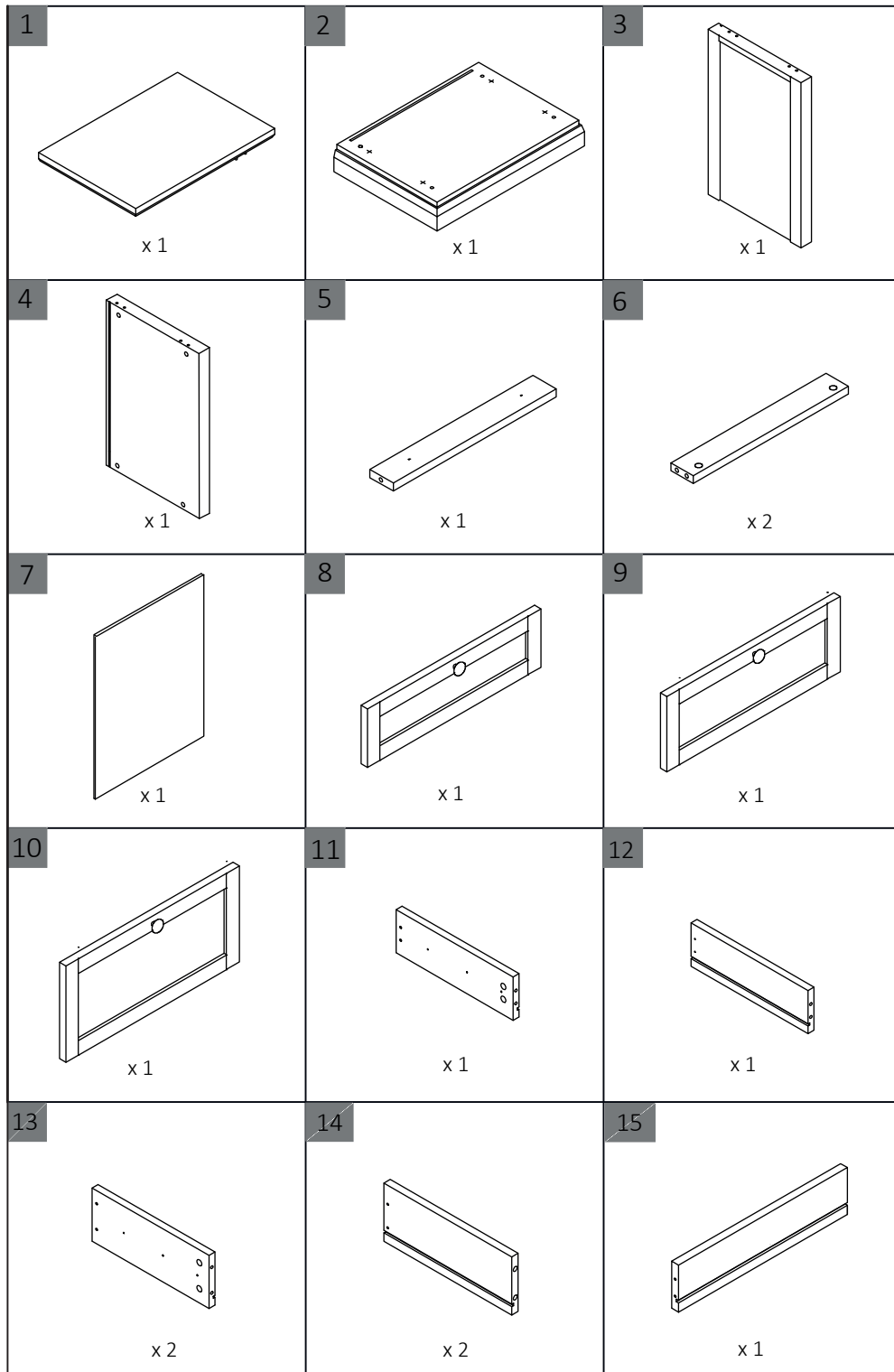
NT-0001BC



# BANAK

# NANTES

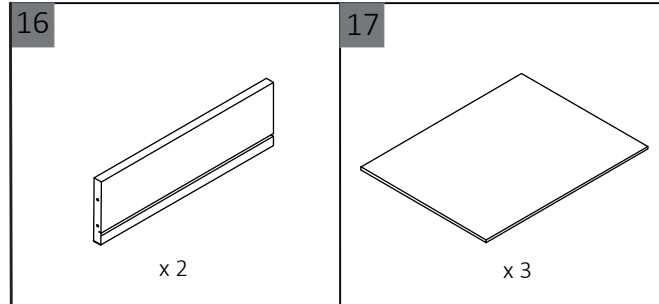
NT-0001BC



# BANAK

# NANTES

NT-0001BC

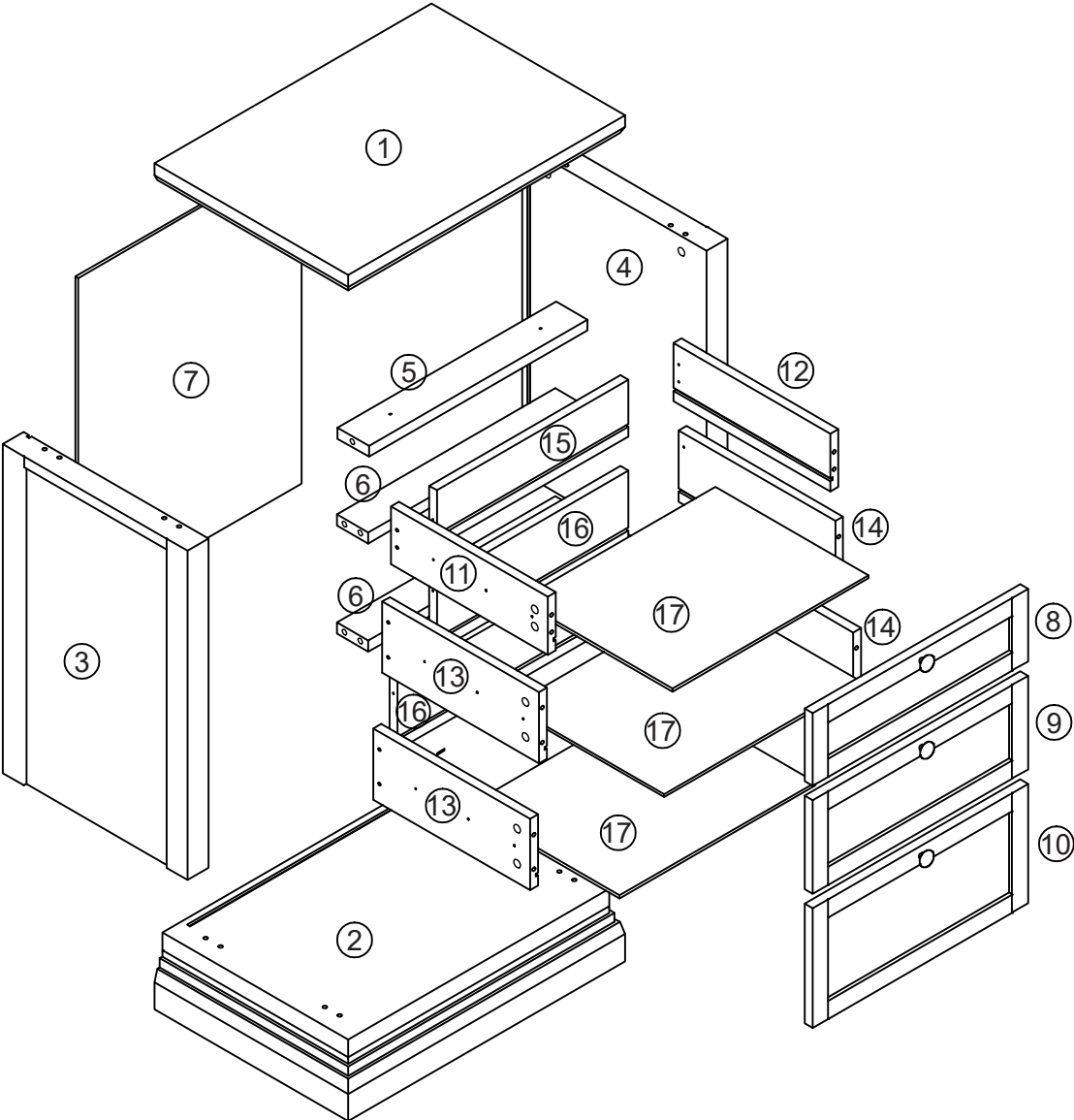


 L=35	 Ax24	 ø15	 Bx24	 Cx4	 ø3x18	 Dx4	 ø3.5x12	 Ex36	 ø3.5x30	 Fx14	 ø8x30	 Gx14
 M4x25	 Hx3	 Ix3	 ø20x5	 Jx14	 L=300	 Kx6	 L=300	 Lx6				

# BANAK

# NANTES

NT-0001BC

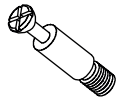


# BANAK

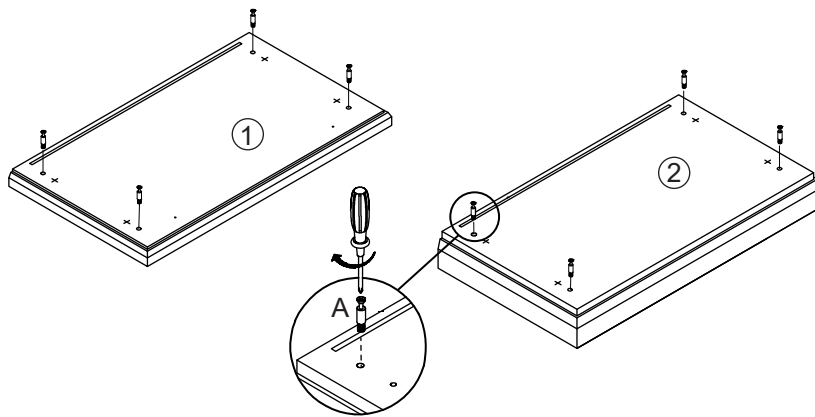
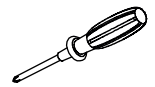
# NANTES

NT-0001BC

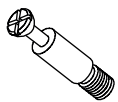
1



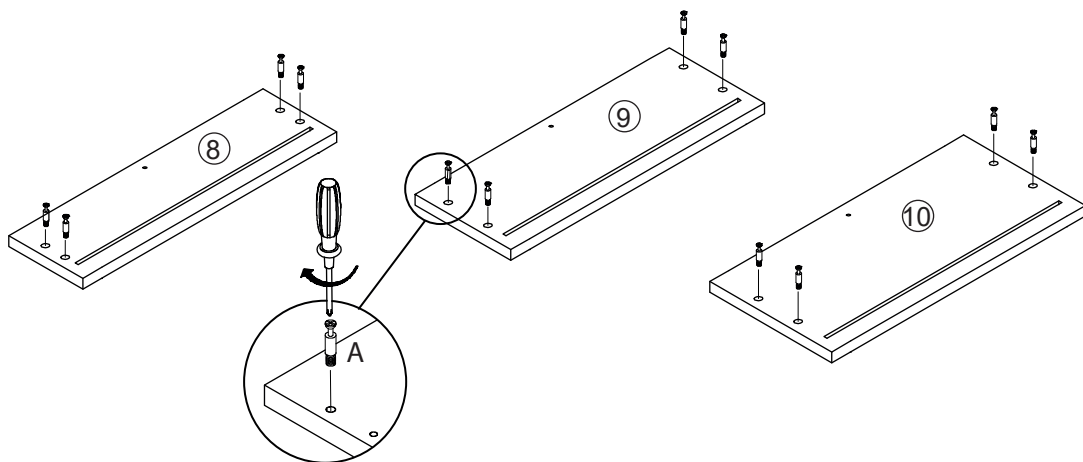
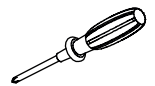
Ax8



2



Ax12

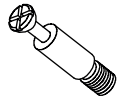


# BANAK

# NANTES

NT-0001BC

### 3



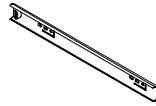
Ax4



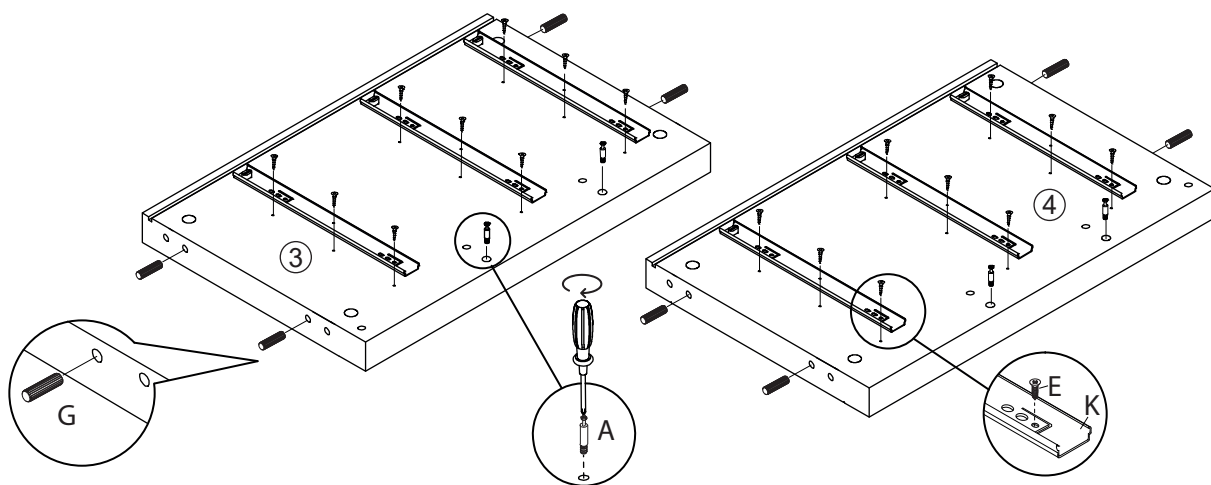
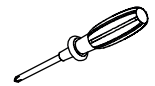
Ex18



Gx8



Kx6



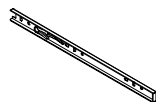
### 4



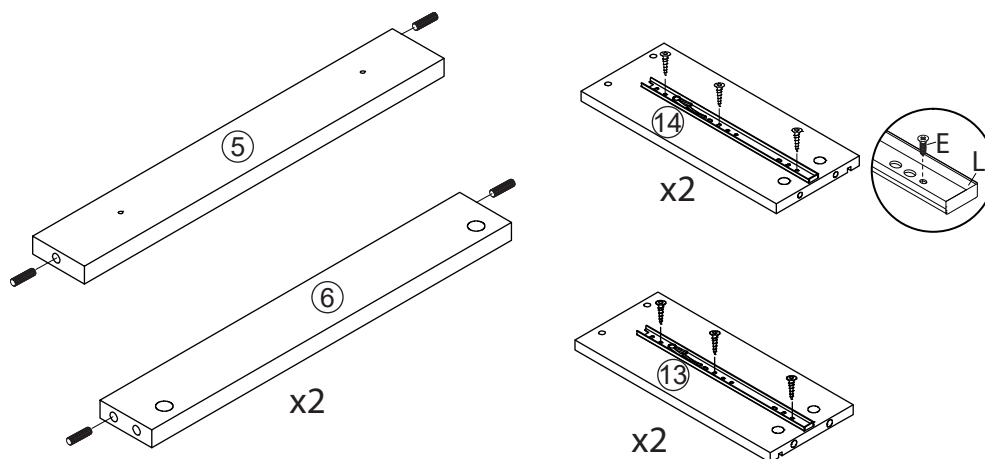
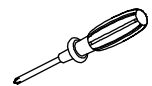
Ex12



Gx6



Lx4



# BANAK

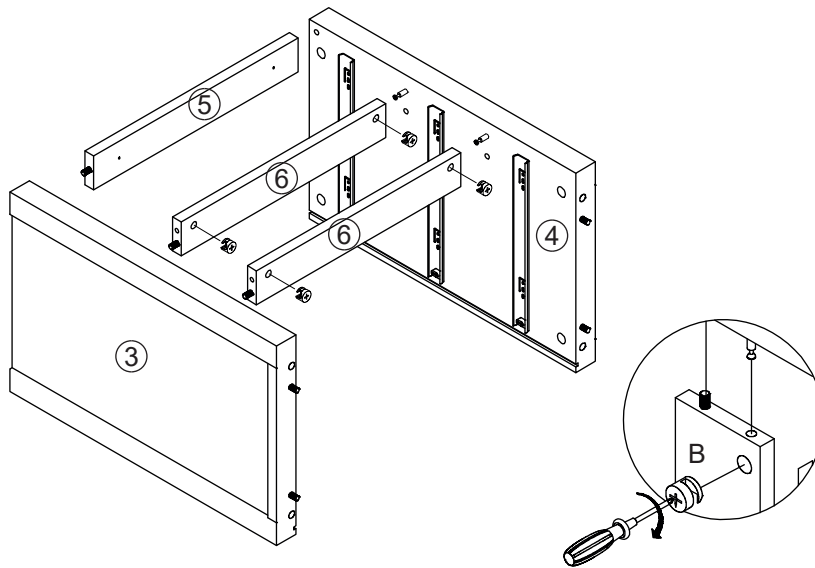
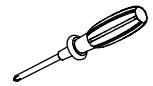
# NANTES

NT-0001BC

5



Bx4



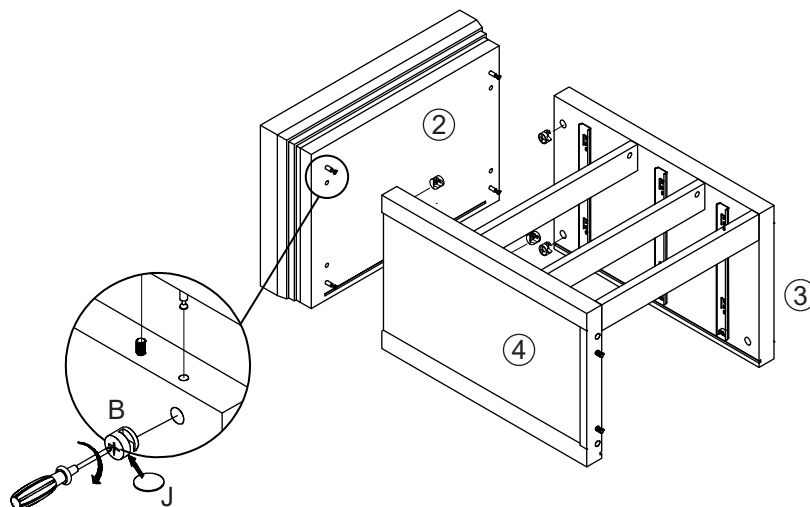
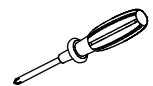
6



Bx4



Jx4





# BANAK

# NANTES

NT-0001BC

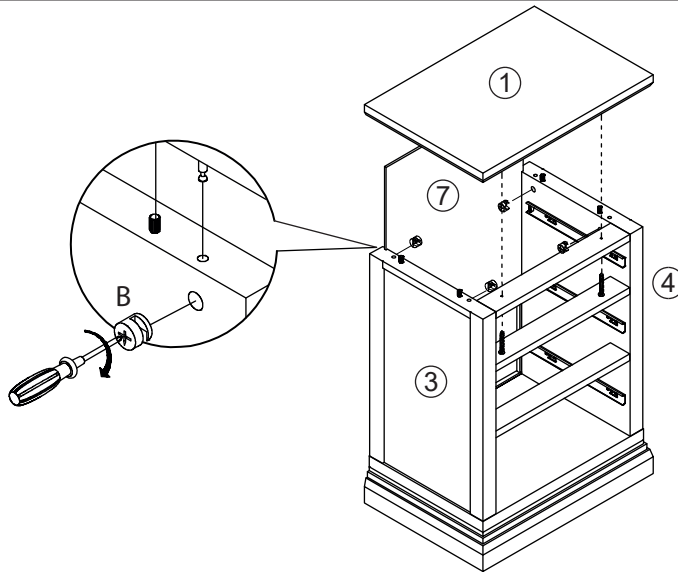
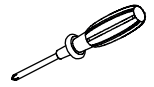
7



Bx4



Fx2



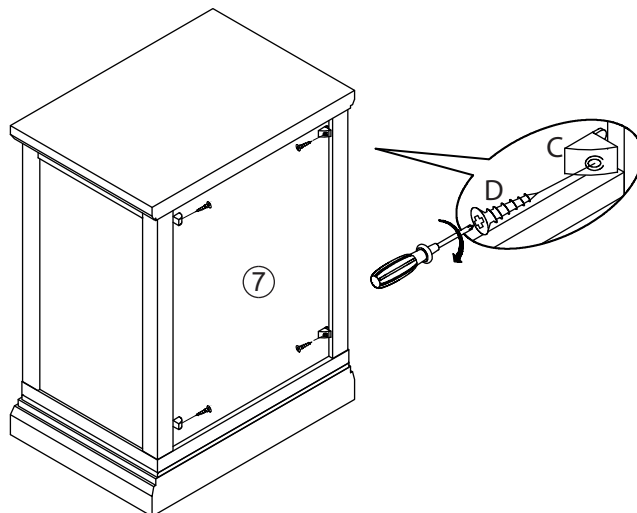
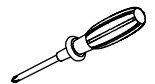
8



Cx4



Dx4

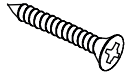


# BANAK

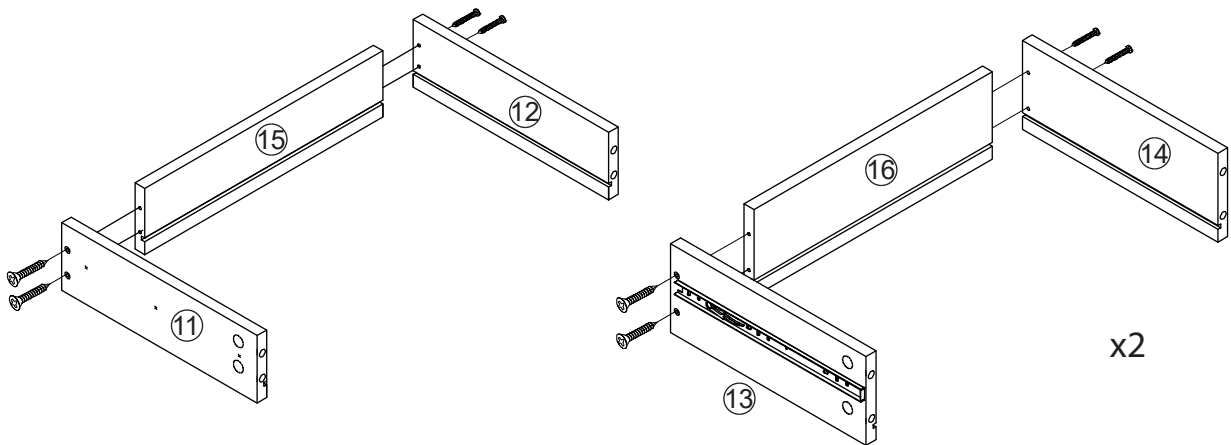
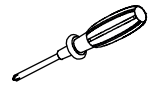
# NANTES

NT-0001BC

9



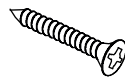
Fx2



10



Bx4



Ex6



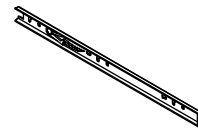
Jx4



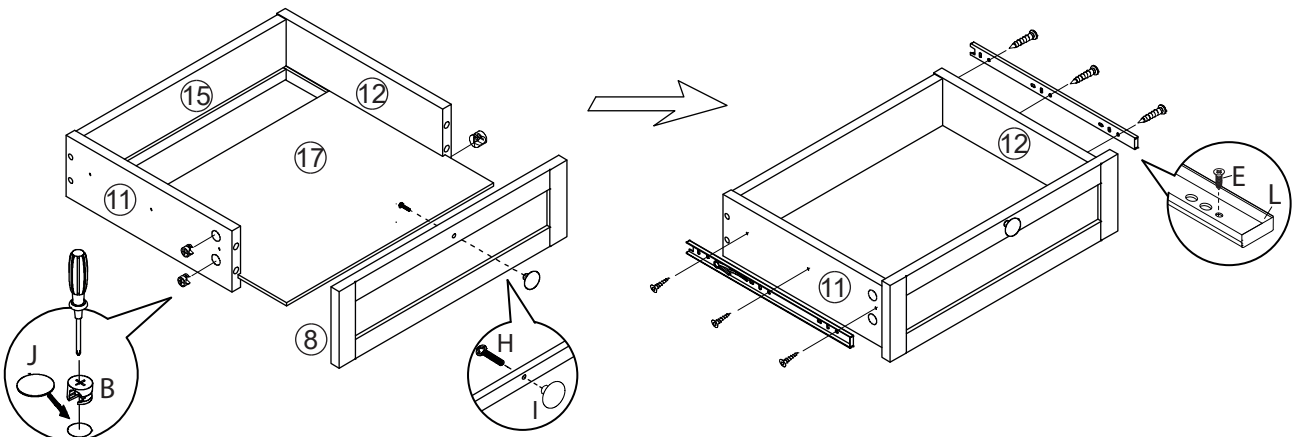
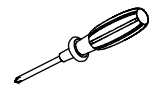
Hx1



Ix1



Lx2



# BANAK

# NANTES

NT-0001BC

## 11



Bx8



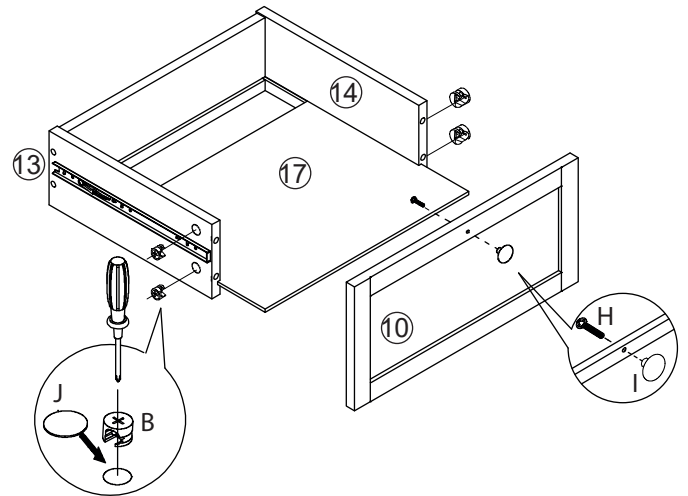
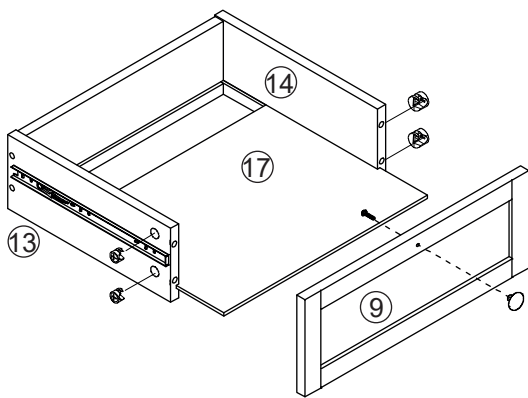
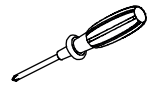
Jx8



Hx2



Ix2



## 12

