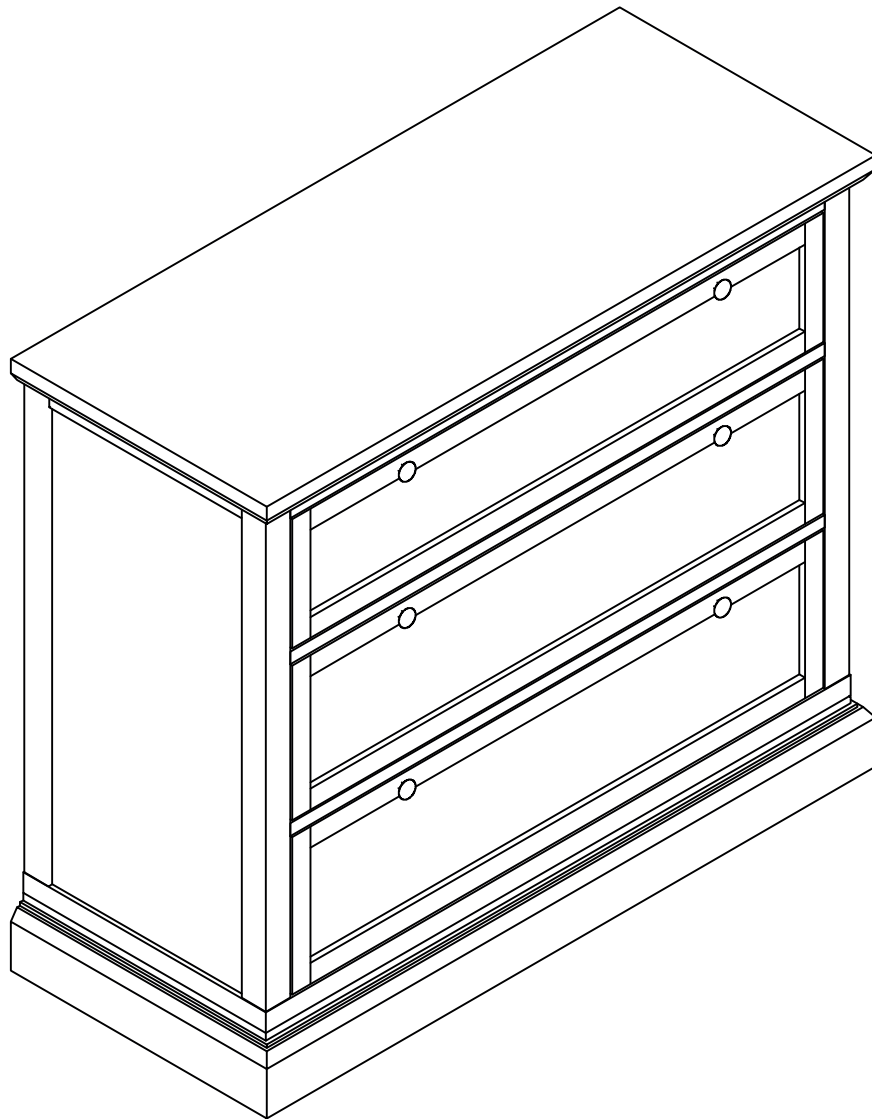


# BANAK

# NANTES

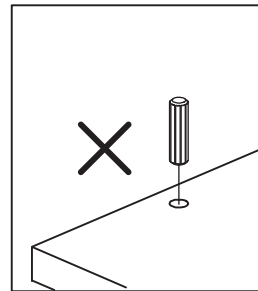
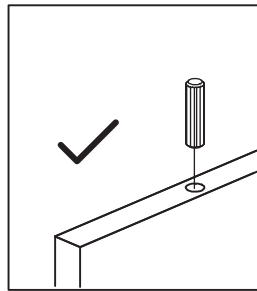
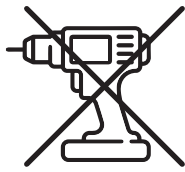
NT-0002BC



# BANAK

# NANTES

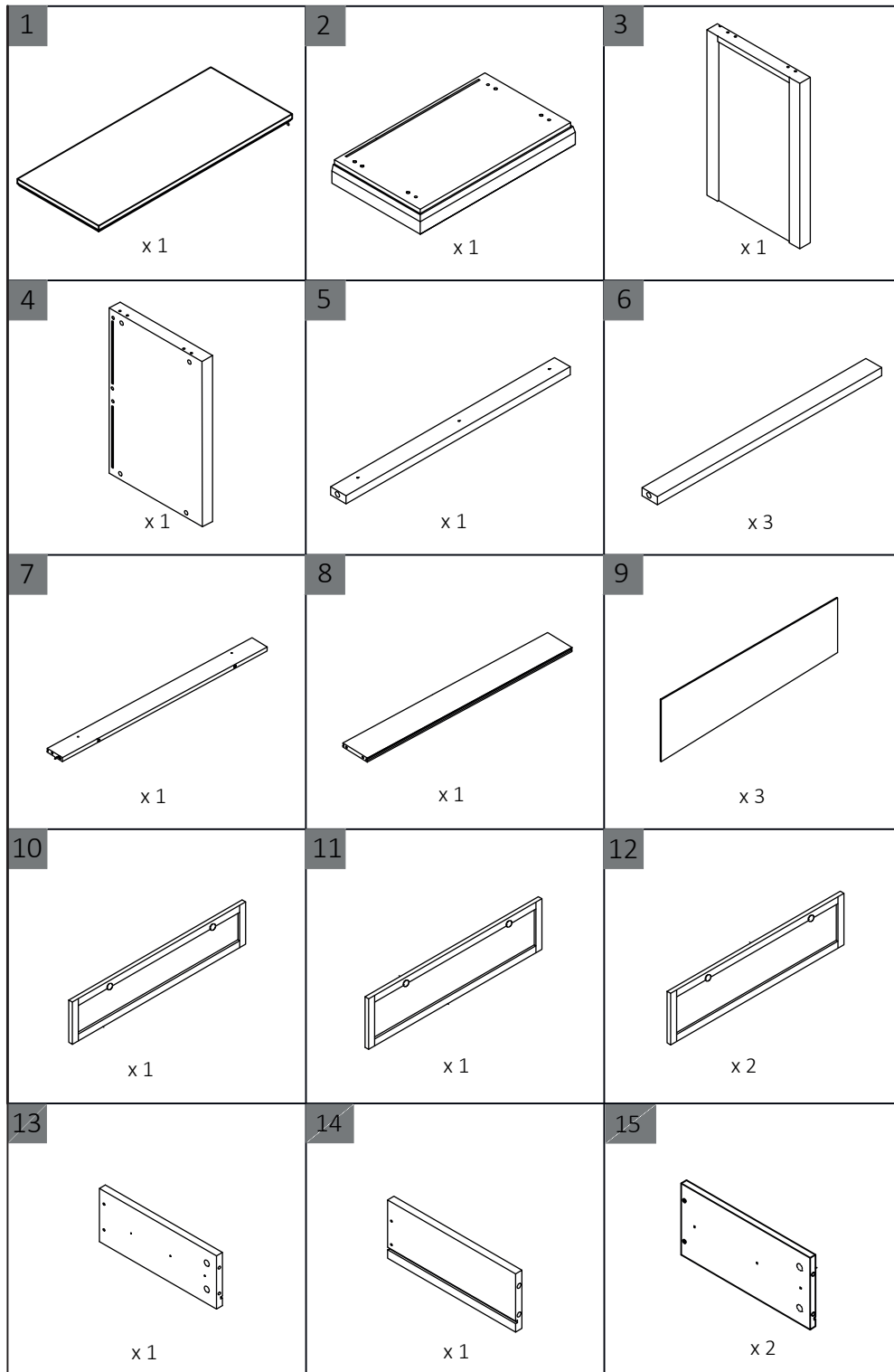
NT-0002BC



# BANAK

# NANTES

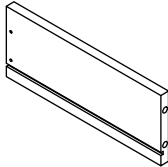
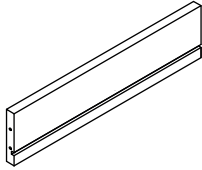
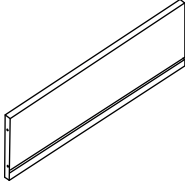
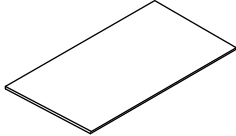
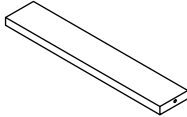

NT-0002BC

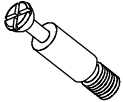
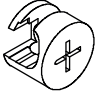
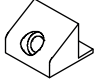


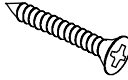

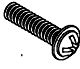






# BANAK

# NANTES

NT-0002BC

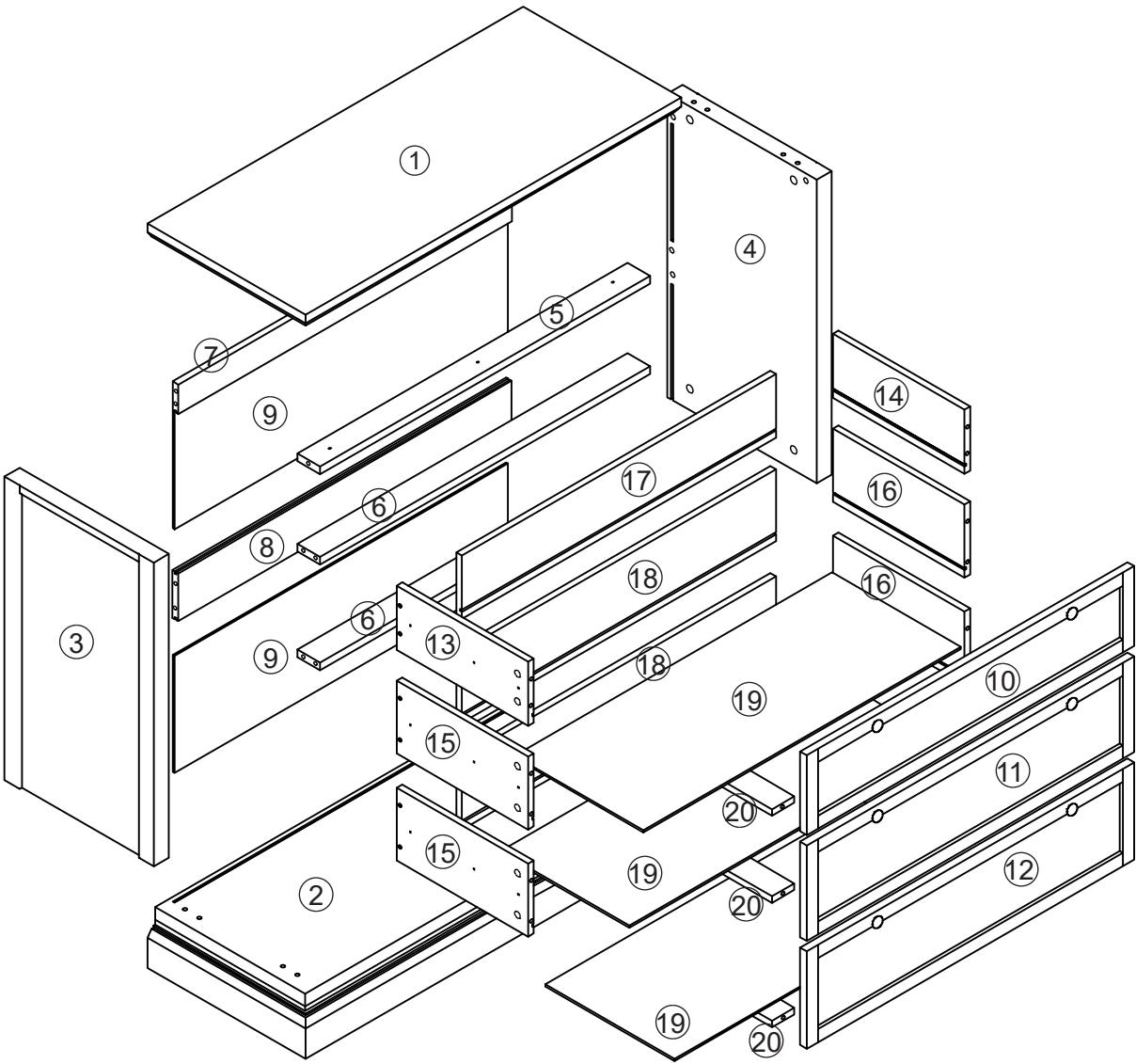
<p>16</p>  <p>x 2</p>	<p>17</p>  <p>x 1</p>	<p>18</p>  <p>x 2</p>
<p>19</p>  <p>x 3</p>	<p>20</p>  <p>x 3</p>	<p>21</p>  <p>x 2</p>

 <p>L=35 Ax35</p>	 <p>Ø15 Bx35</p>	 <p>Cx8</p>	 <p>Ø3x18 Dx8</p>	 <p>Ø3.5x12 Ex36</p>	 <p>Ø3.5x30 Fx21</p>	 <p>Ø8x30 Gx16</p>
 <p>M4x25 Hx6</p>	 <p>Ix6</p>	 <p>Ø20x5 Jx20</p>	 <p>L=300 Kx6</p>	 <p>L=300 Lx6</p>		

# BANAK

# NANTES

NT-0002BC

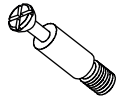


# BANAK

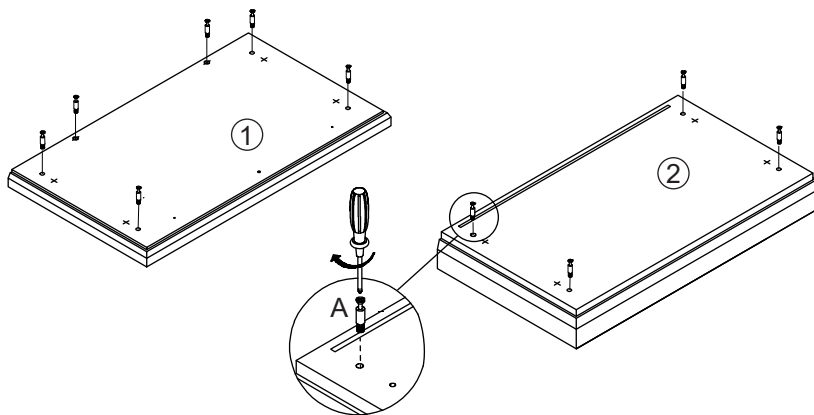
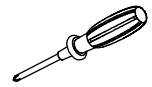
# NANTES

NT-0002BC

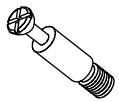
1



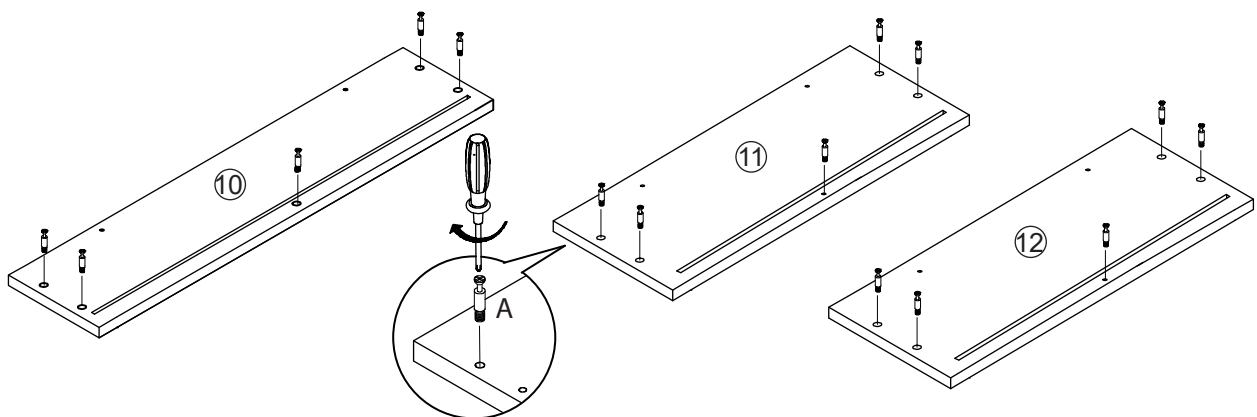
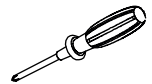
Ax10



2



Ax15



# BANAK

# NANTES

NT-0002BC

3



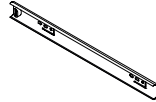
Ax4



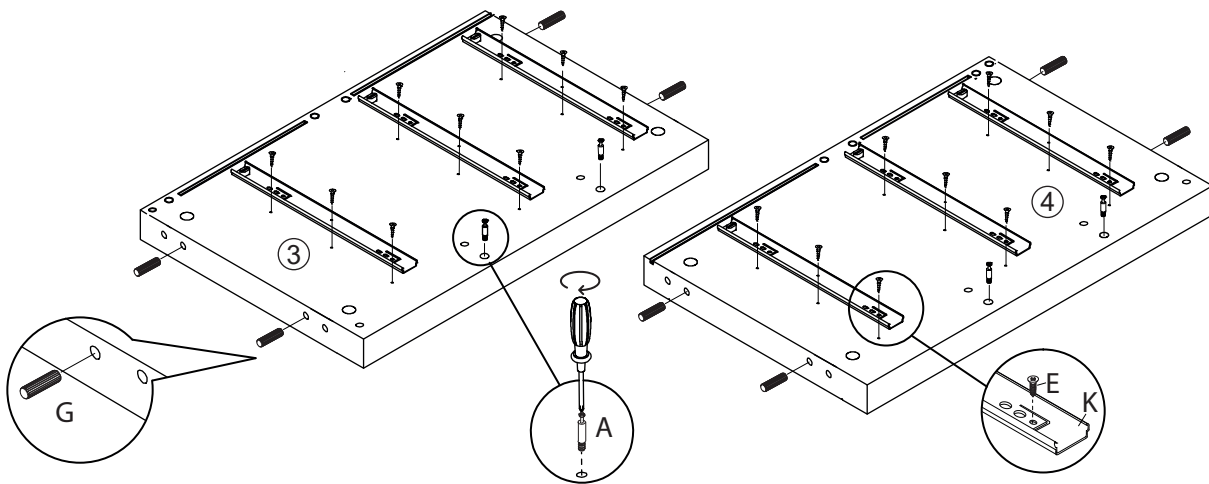
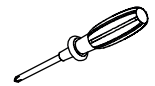
Ex18



Gx8



Kx6



4



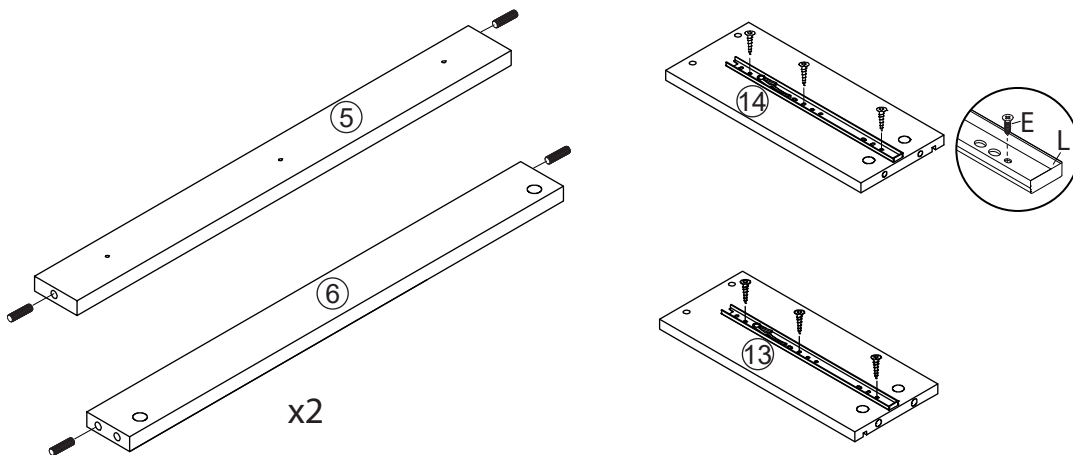
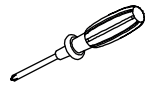
Ex6



Gx6



Lx2



# BANAK

# NANTES

NT-0002BC

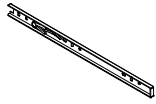
5



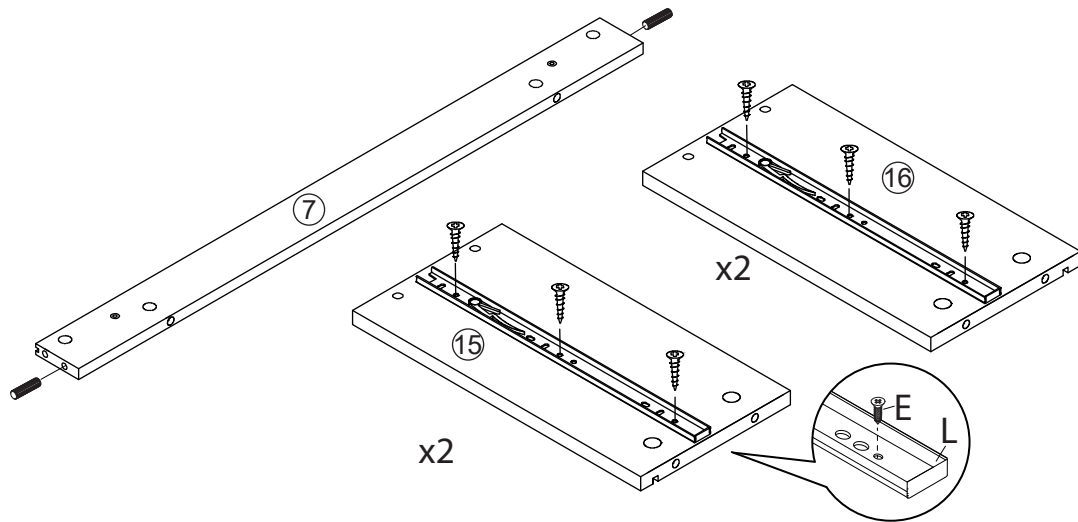
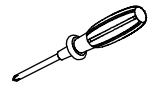
Ex12



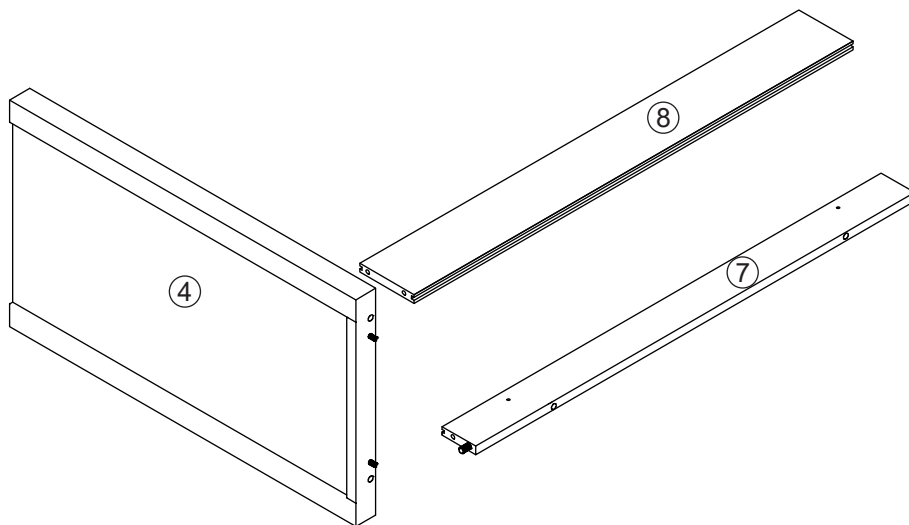
Gx2



Lx4



6





# BANAK

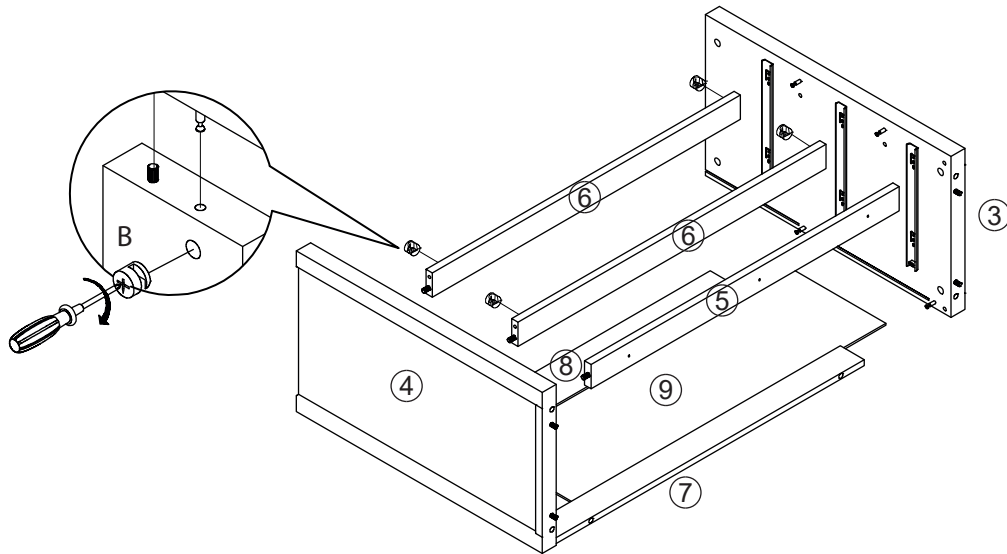
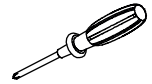
# NANTES

NT-0002BC

7



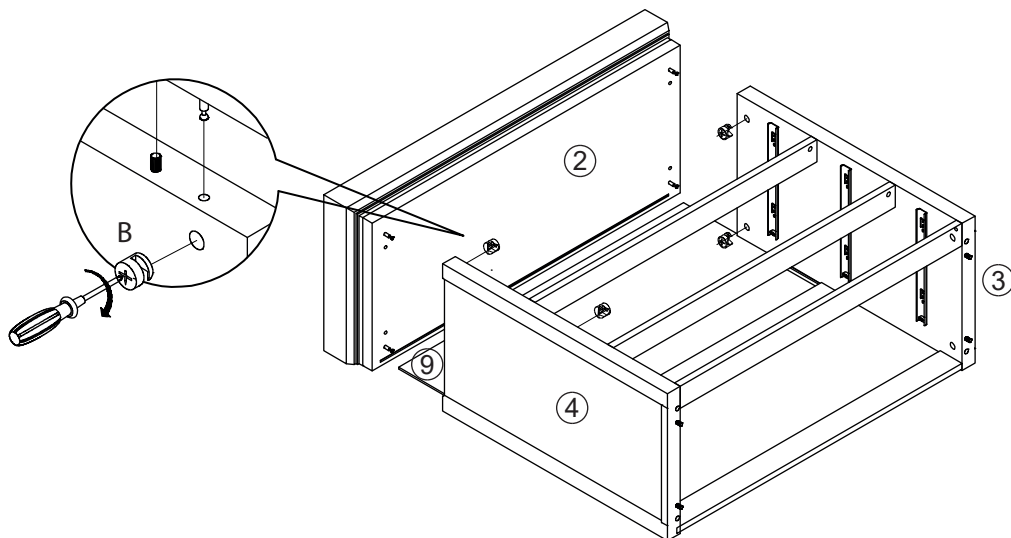
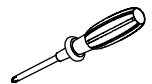
Bx4



8



Bx4



# BANAK

# NANTES

NT-0002BC

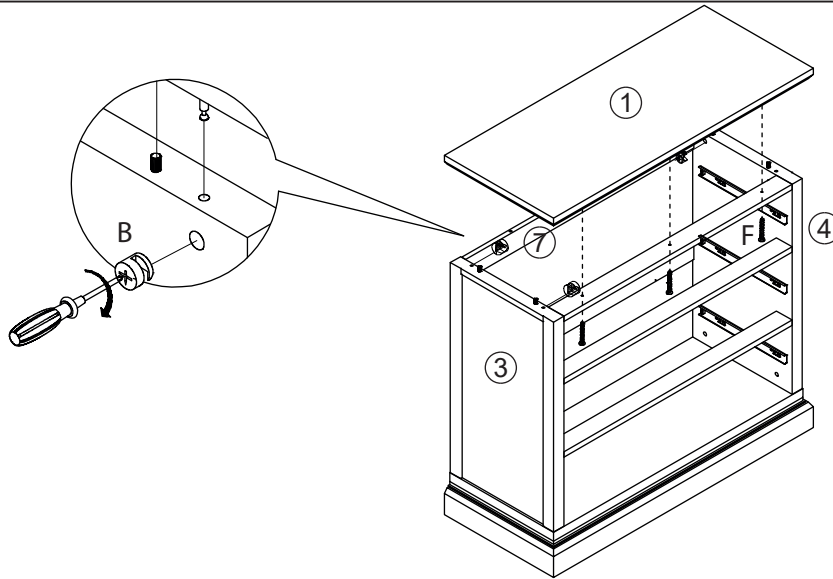
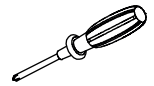
9



Bx4



Fx3



10



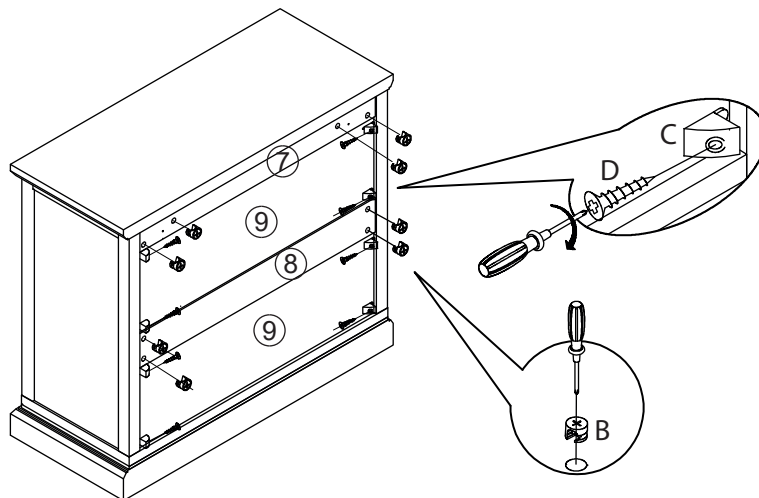
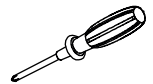
Cx8



Dx8



Bx8



# BANAK

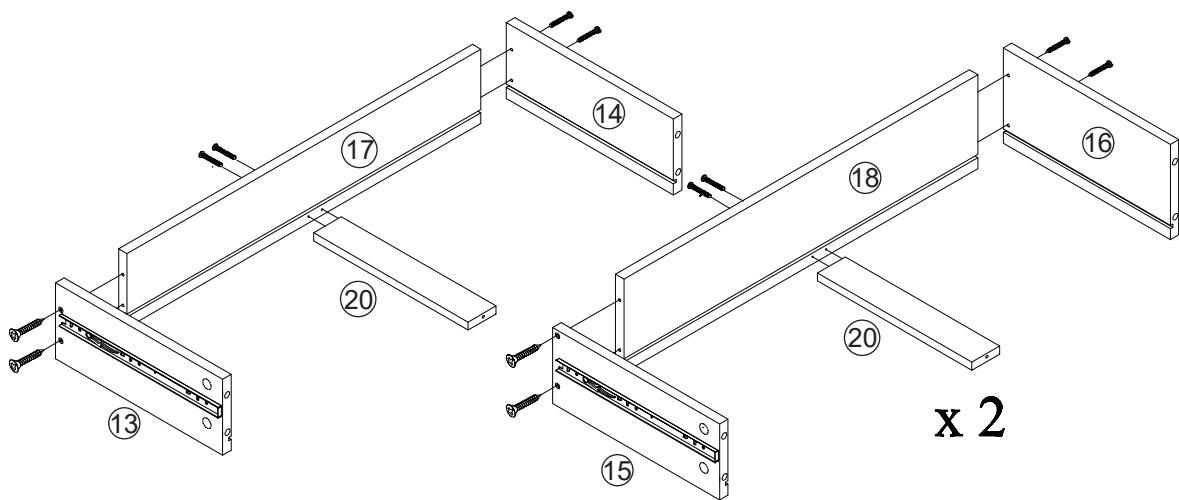
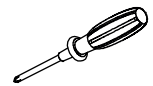
# NANTES

NT-0002BC

## 11



Fx18



## 12



Bx15



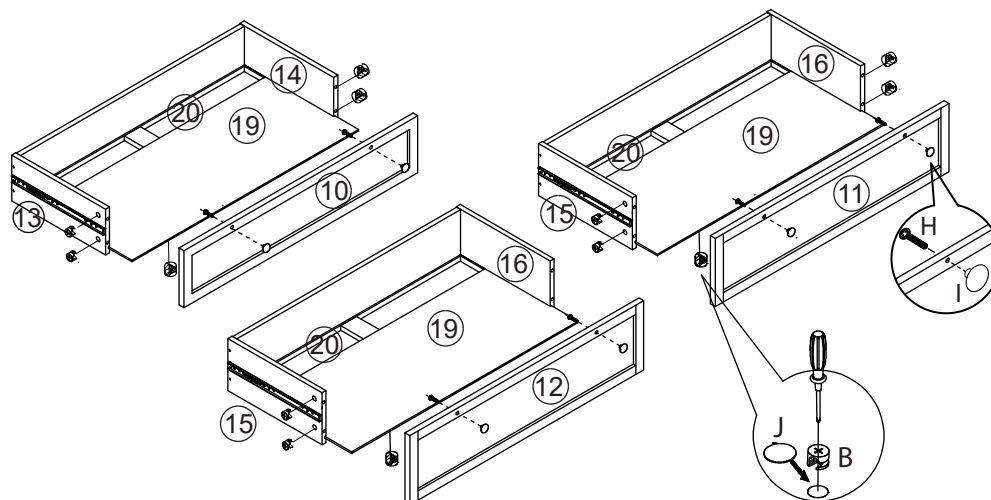
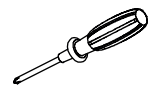
Jx15



Hx6



Ix6



# BANAK

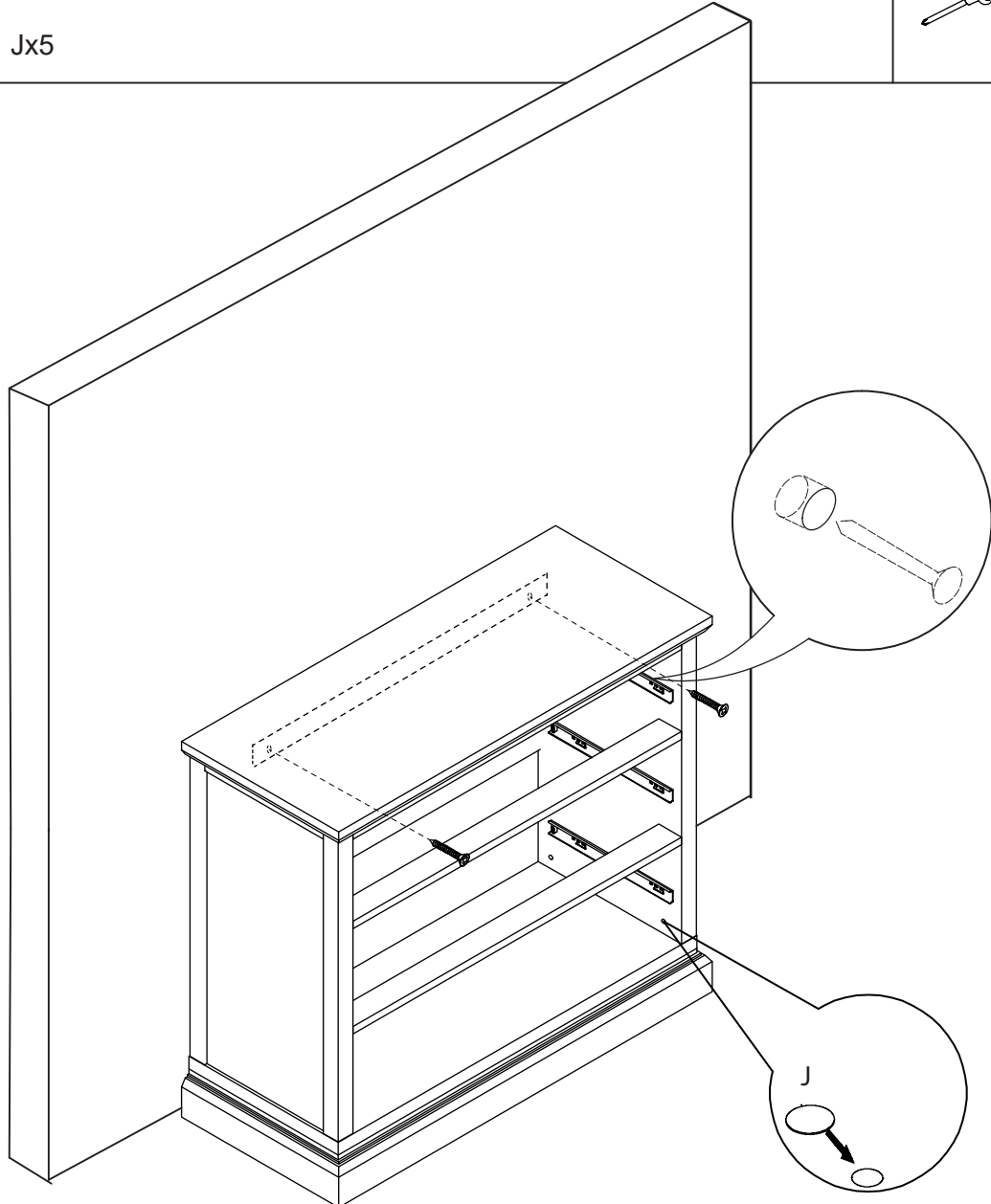
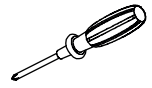
# NANTES

NT-0002BC

## 13



Jx5



# BANAK

# NANTES

NT-0002BC

14

