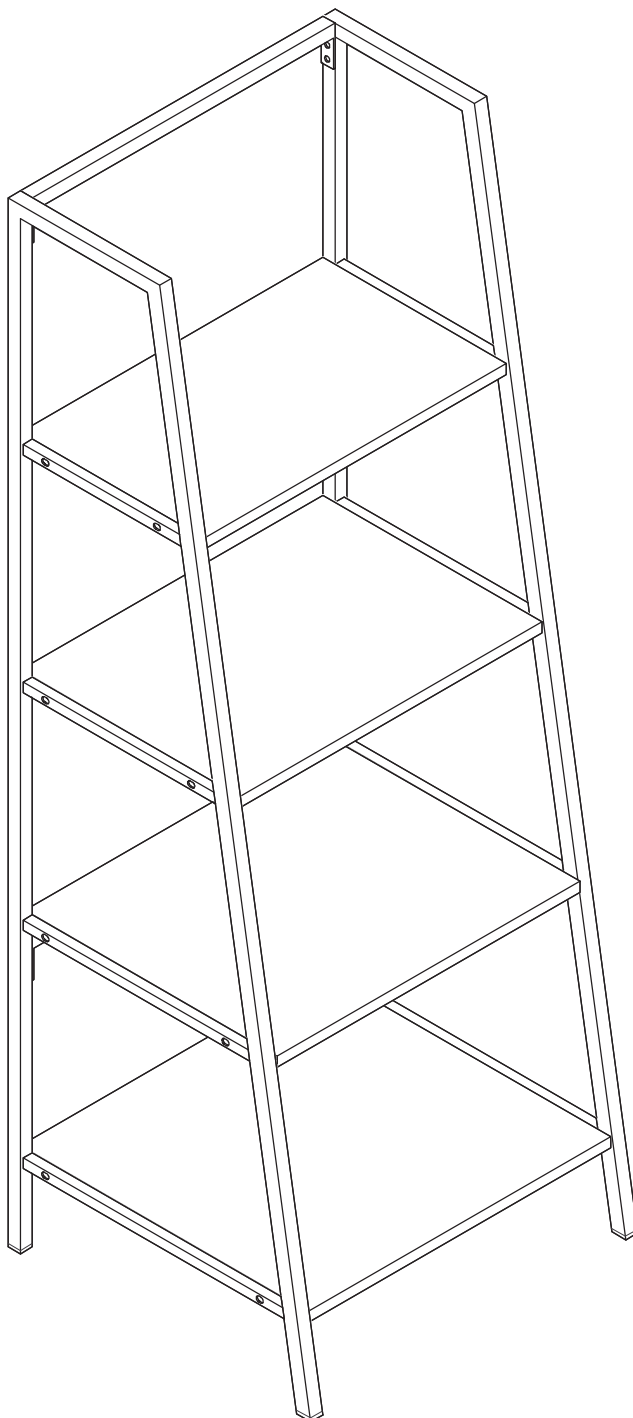


# BANAK

# MADISON

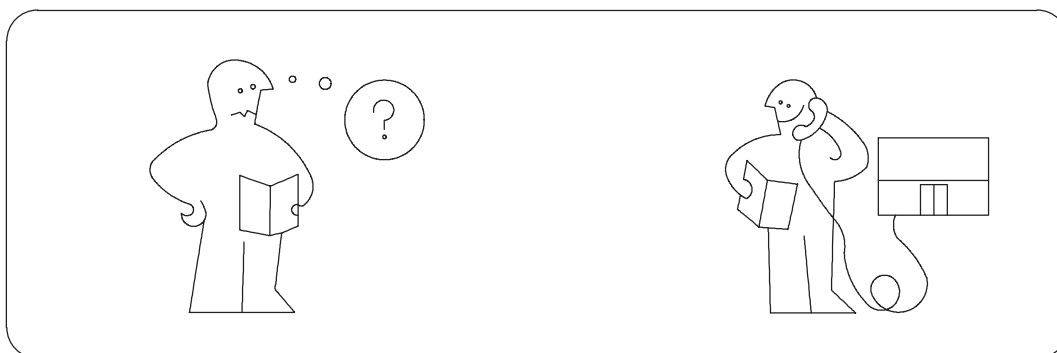
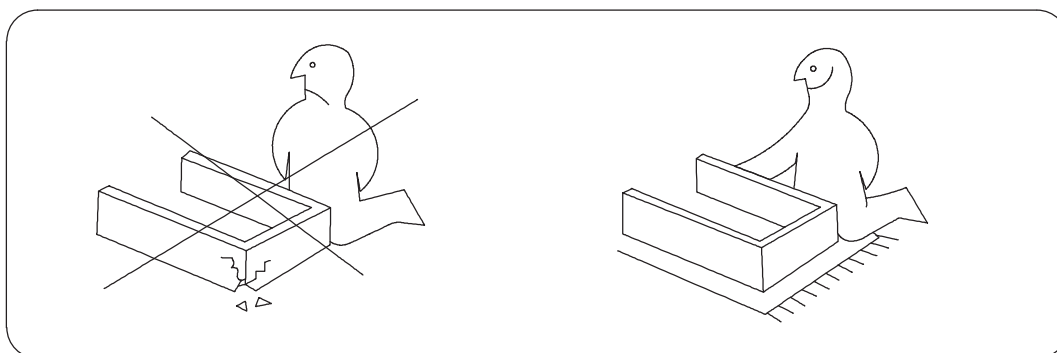
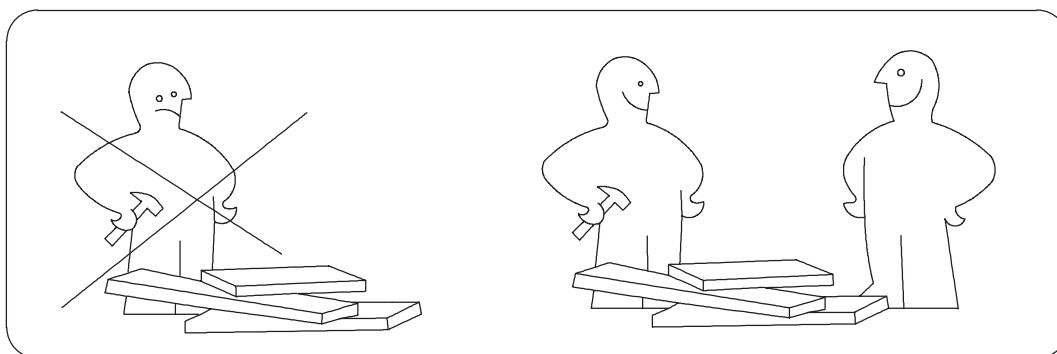
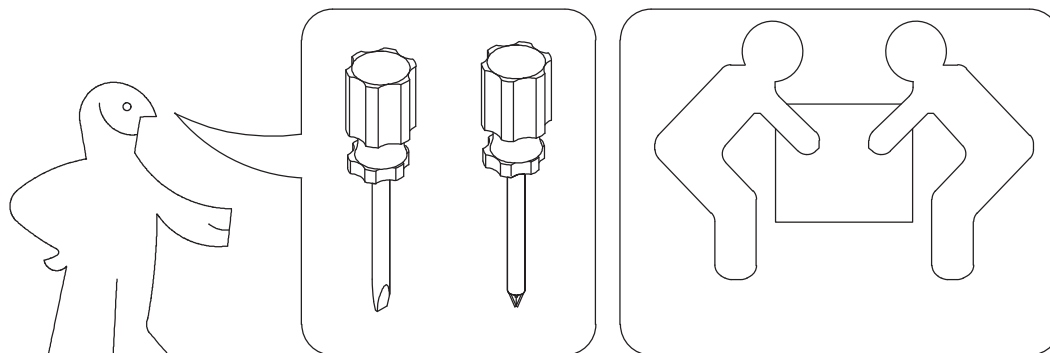
SC-0113



# BANAK

# MADISON

SC-0113

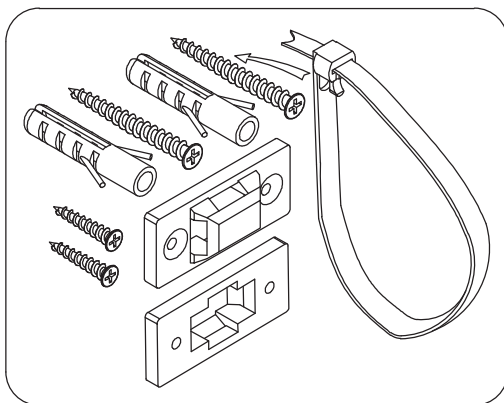
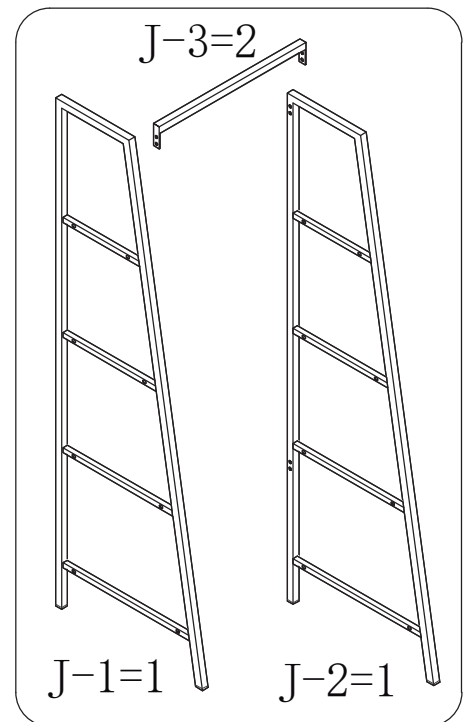
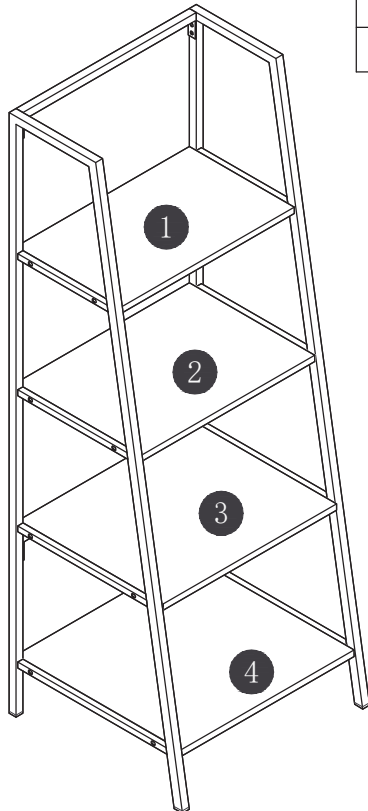


# BANAK

# MADISON

SC-0113

1	499x303x16	x1
2	499x362x16	x1
3	499x417x16	x1
4	499 475 16	x1



F=1

M6\*16  
G1=8

M6\*25  
G2=16

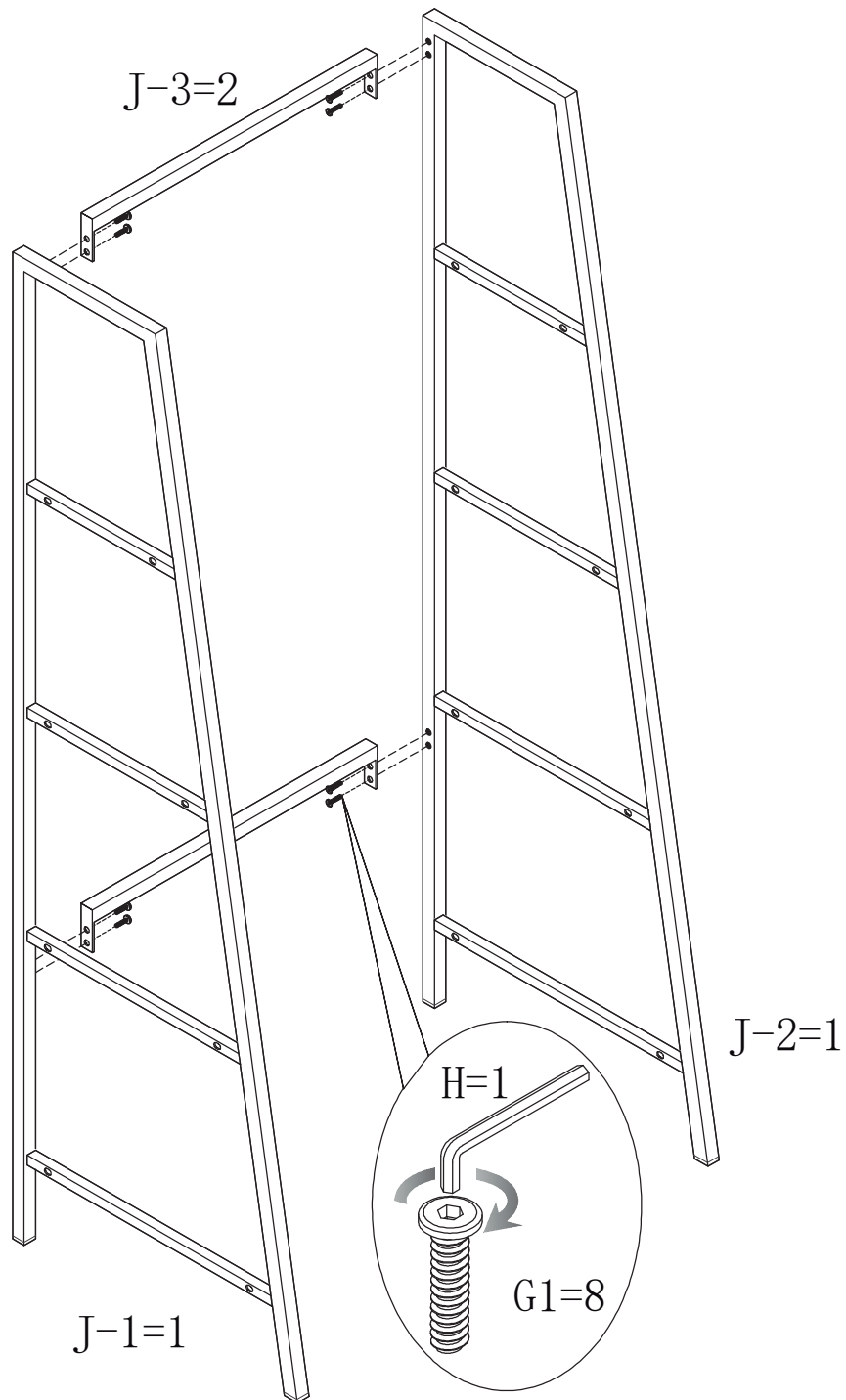
H=1

# BANAK

# MADISON

SC-0113

①

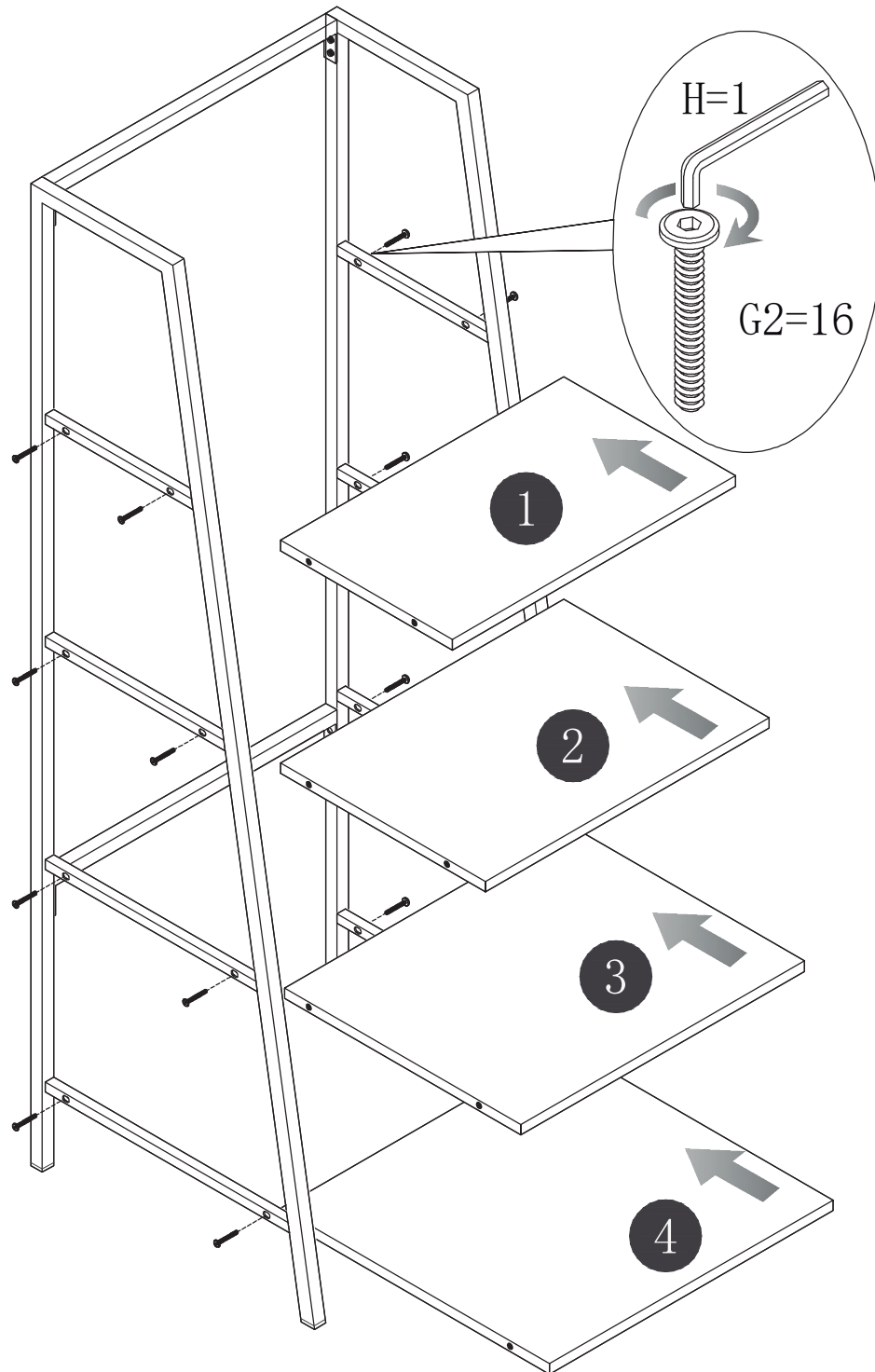


# BANAK

# MADISON

SC-0113

2



# BANAK

# MADISON

SC-0113

3

