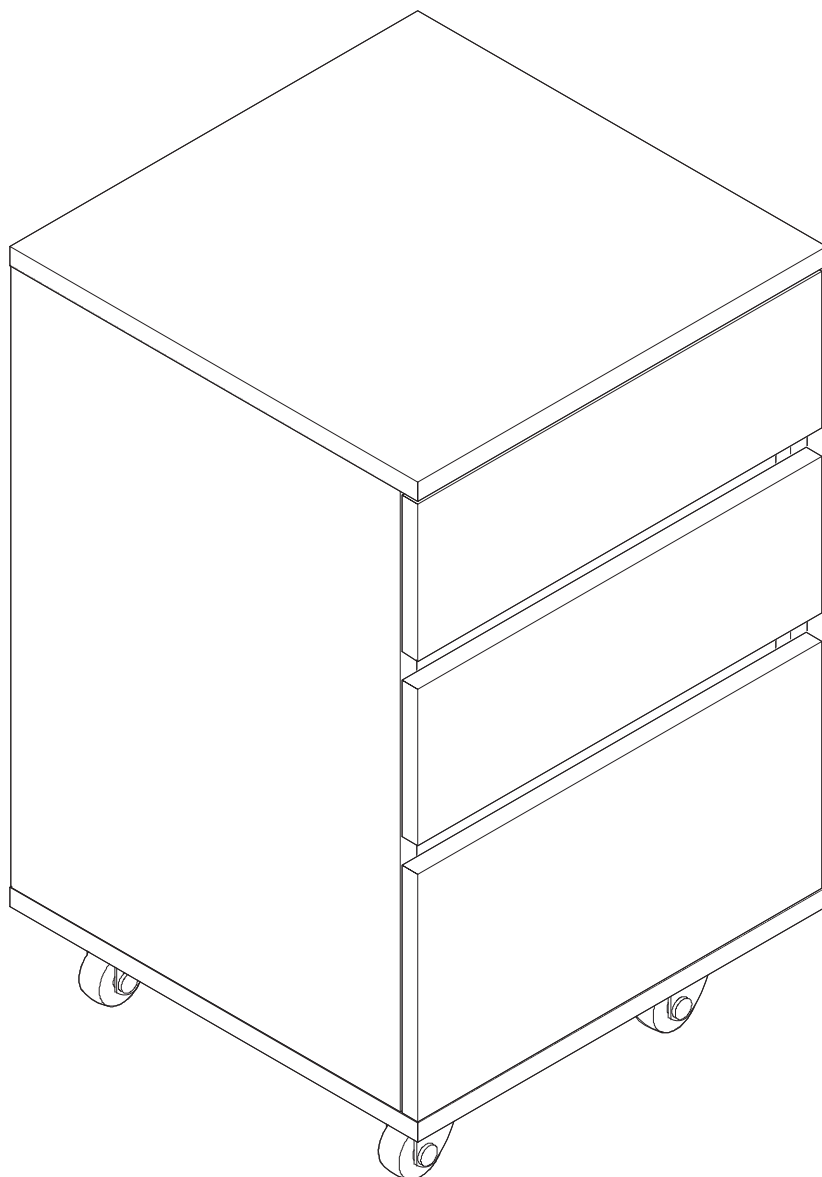


# BANAK

# POPPY

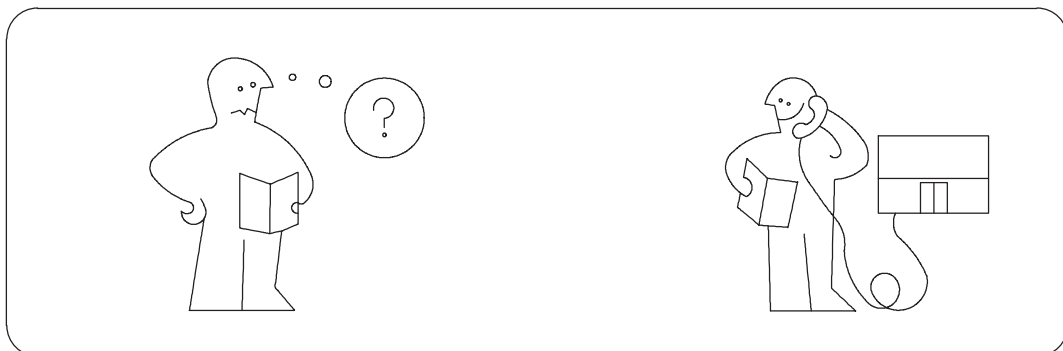
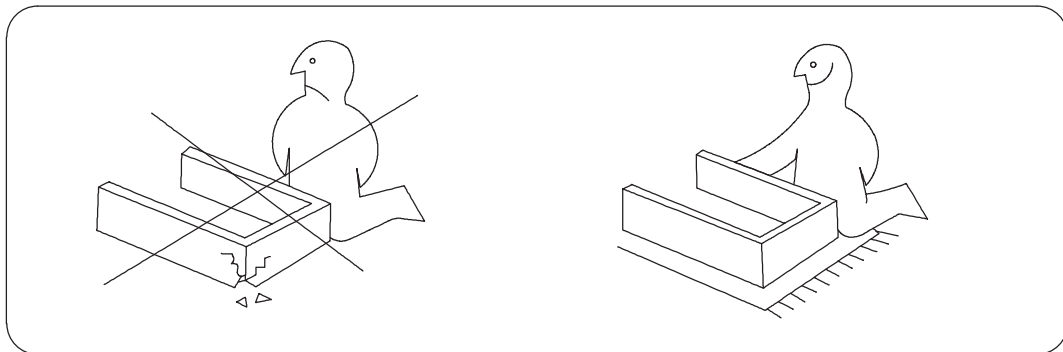
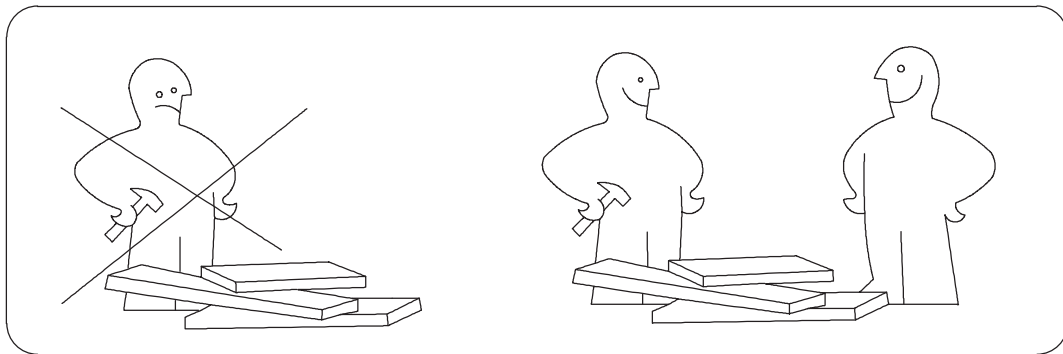
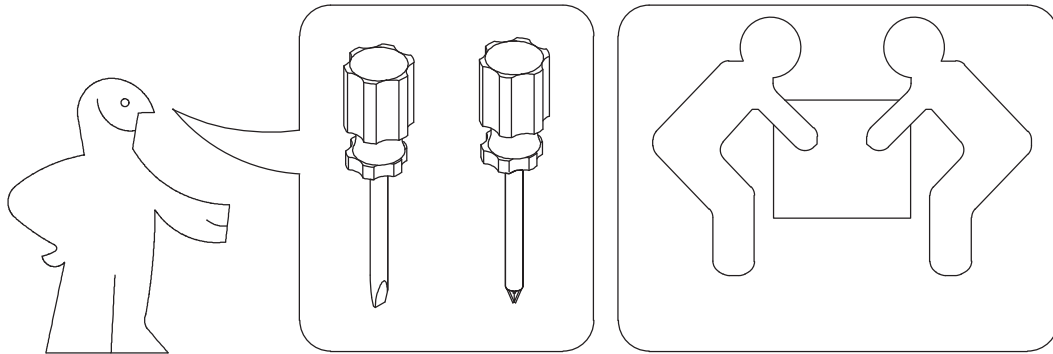
SC-0117



# BANAK

# POPPY

SC-0117



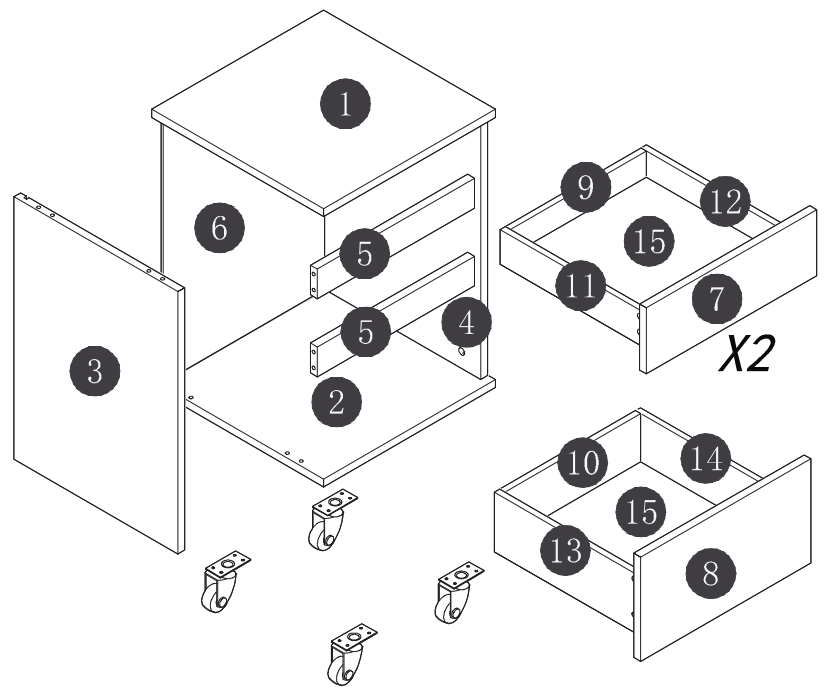
# BANAK

# POPPY

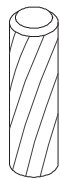
SC-0117

1	400x400x16	x1
2	400x400x16	x1
3	528x382x16	x1
4	528x382x16	x1
5	366x60x16	x2
6	538x376x5	x1
7	396x133x16	x2
8	396x210x16	x1

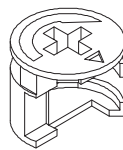
9	316x70x12	x2
10	316x120x12	x1
11	350x70x12	x2
12	350x70x12	x2
13	350x120x12	x1
14	350x120x12	x1
15	326x348x5	x3



M6\*40  
A=12



Φ8\*30  
B=12



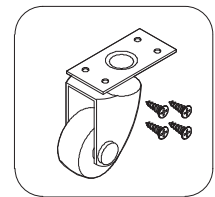
Φ15\*12  
C=12



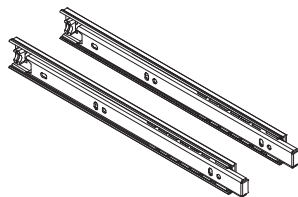
Φ21  
D=36



E=4



J=4



N=3



M6\*34  
O=24



Φ12\*10.5  
P=24



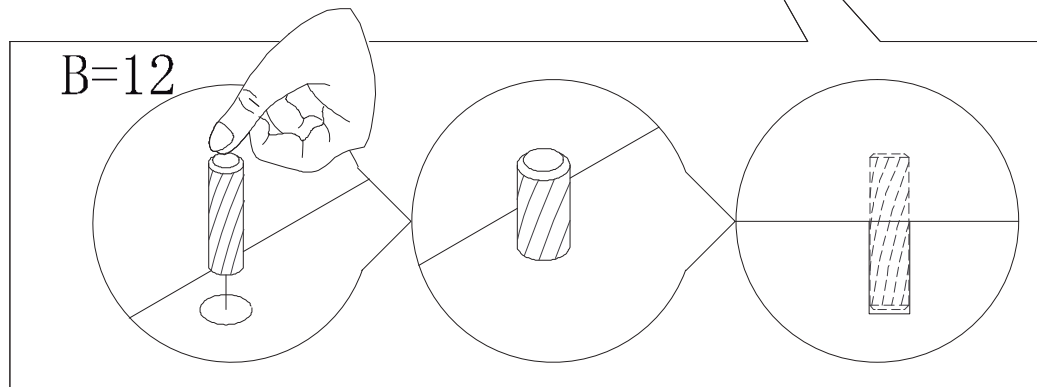
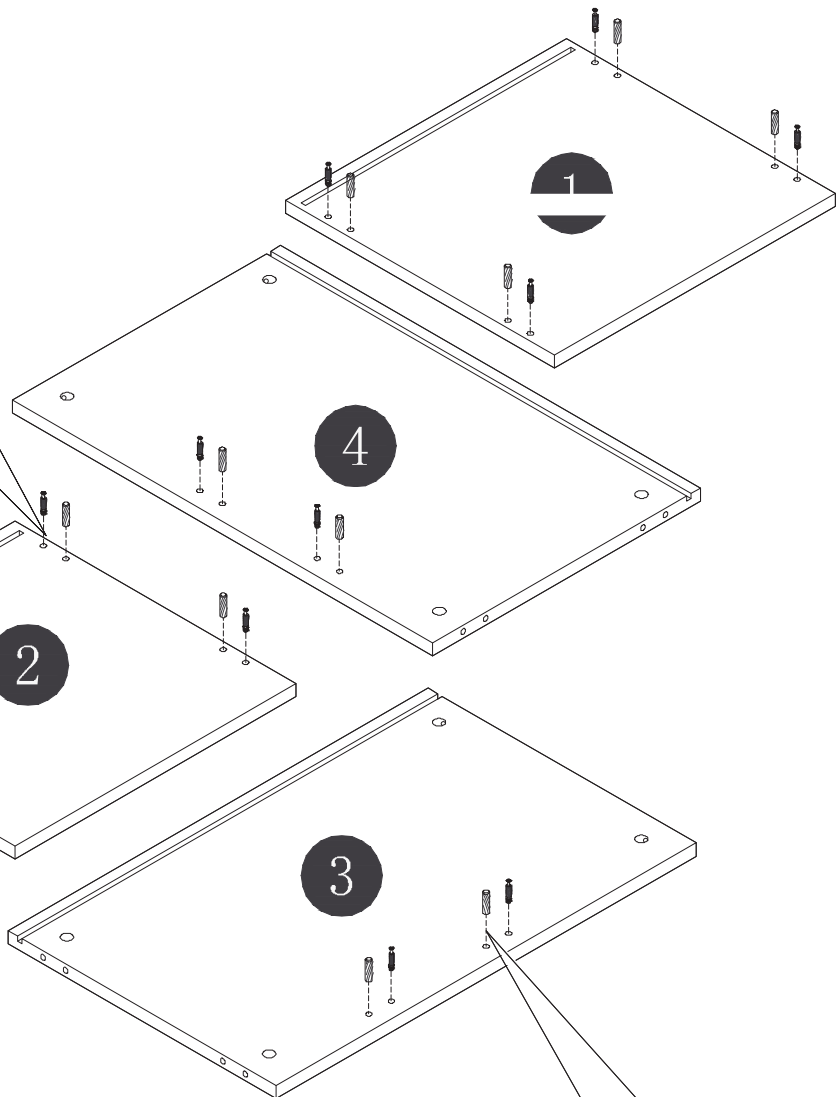
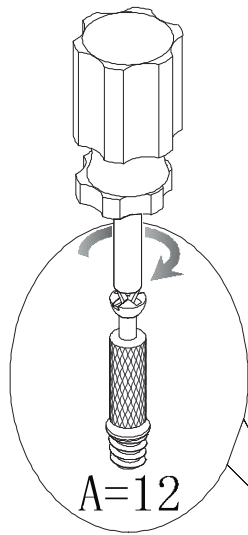
M3.5\*12  
V1=24

# BANAK

# POPPY

SC-0117

1

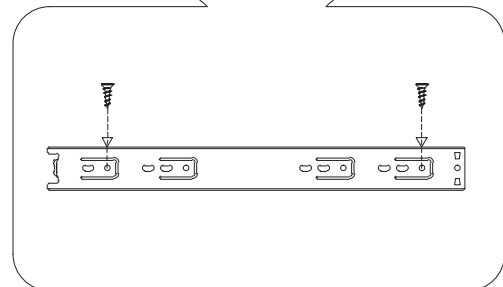
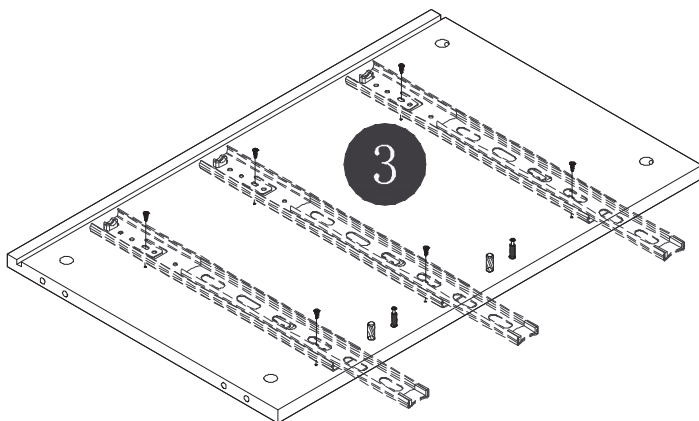
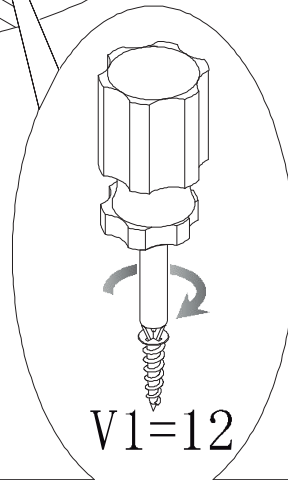
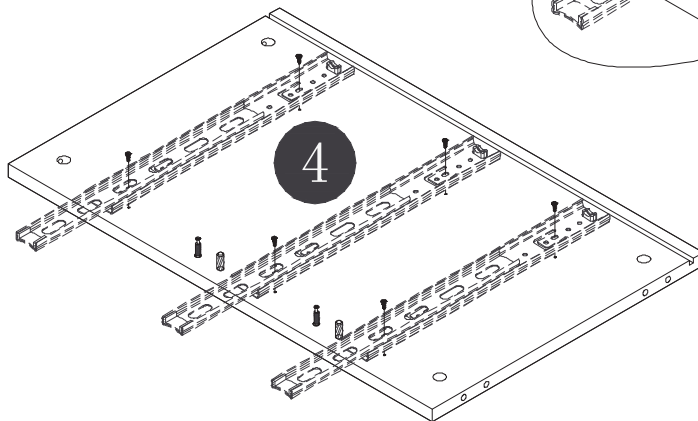
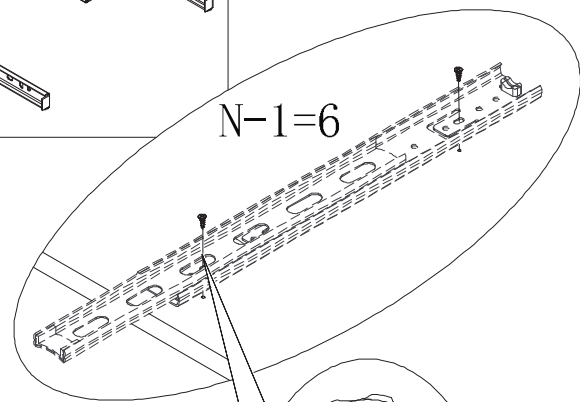
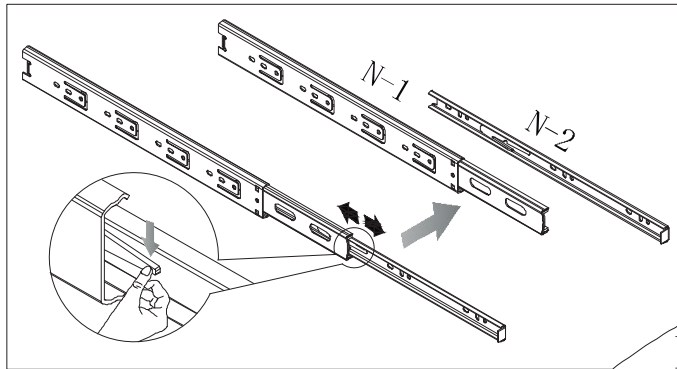


# BANAK

# POPPY

SC-0117

2

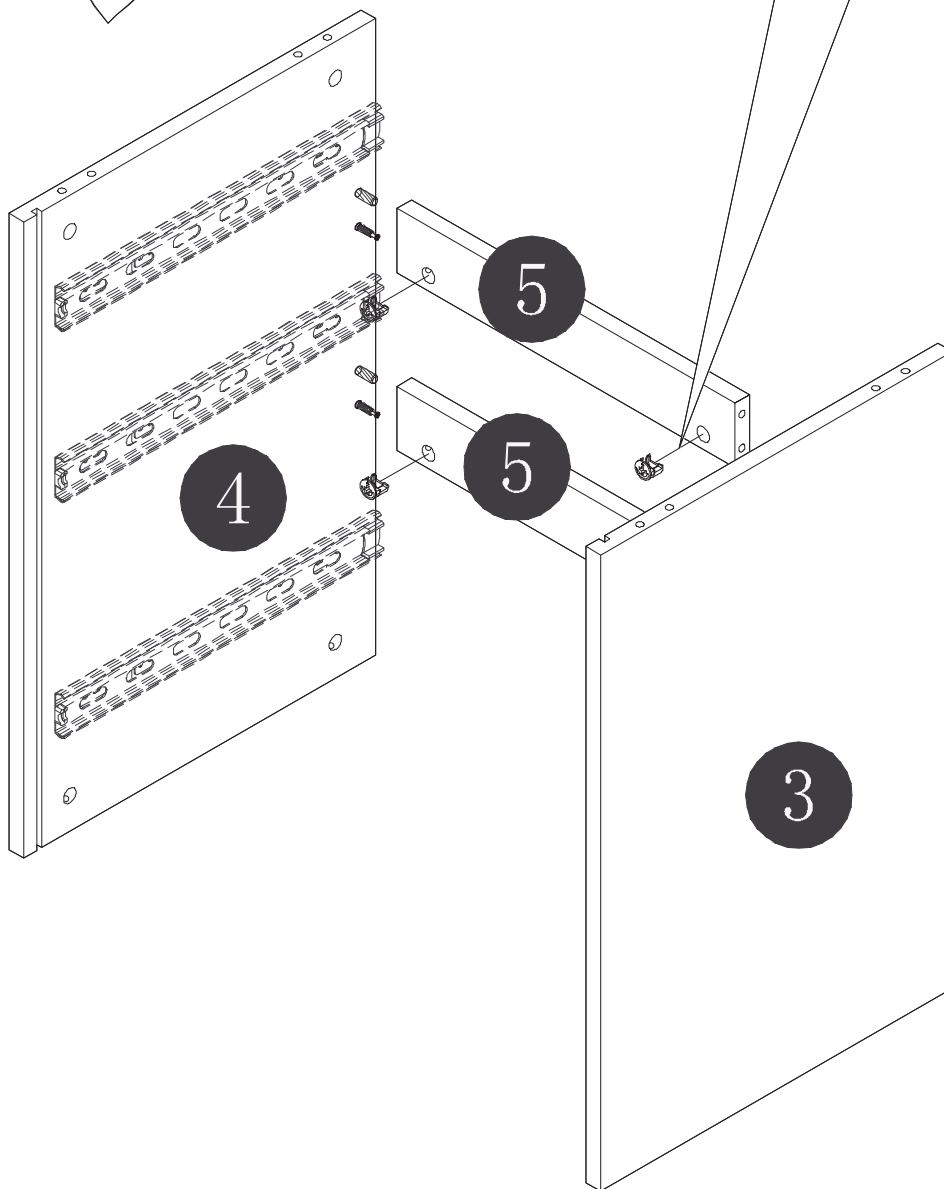
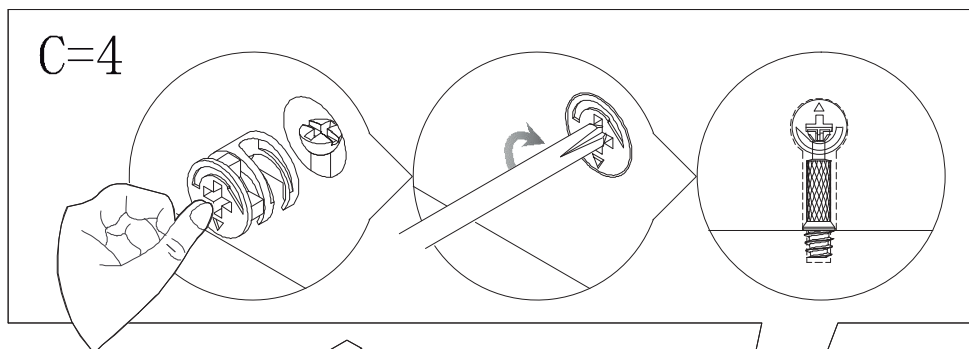


# BANAK

# POPPY

SC-0117

3

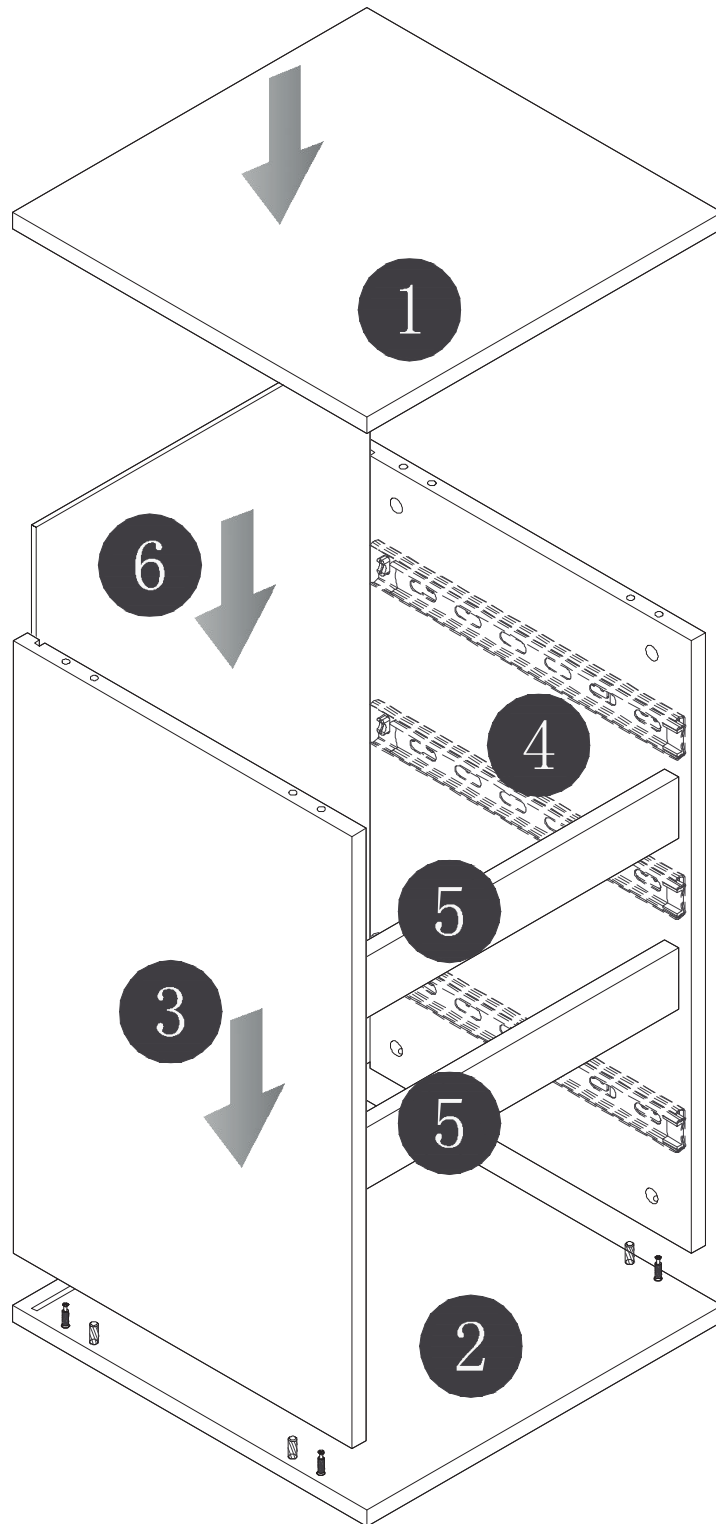


# BANAK

# POPPY

SC-0117

4

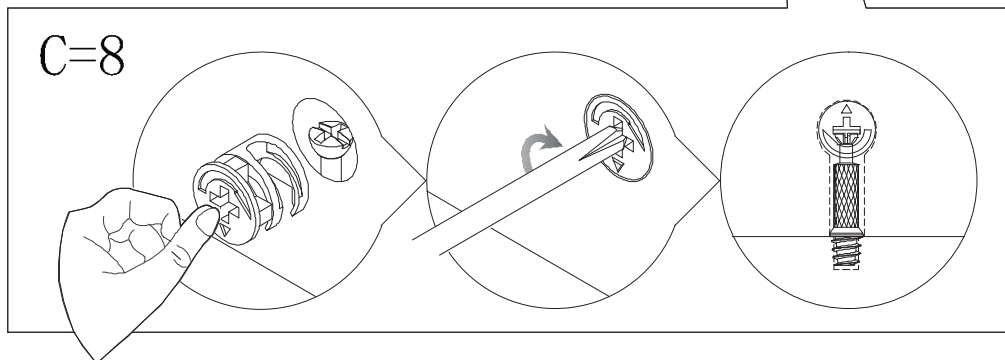
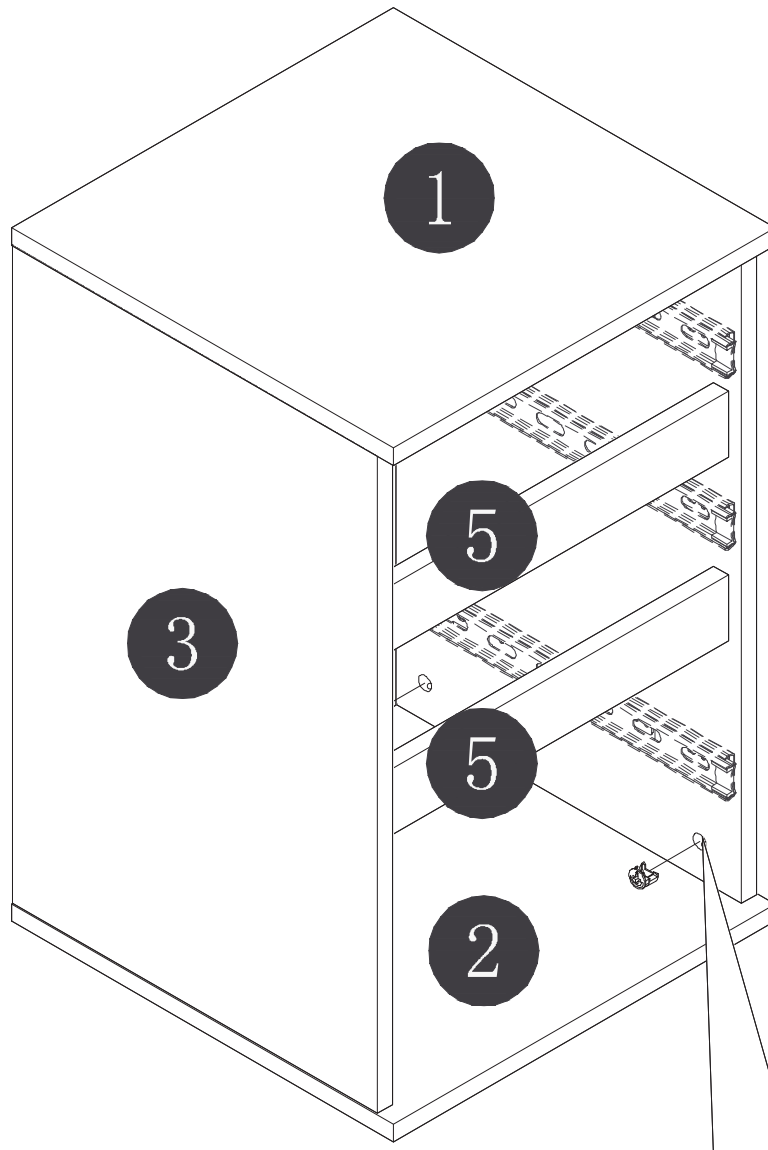


# BANAK

# POPPY

SC-0117

5



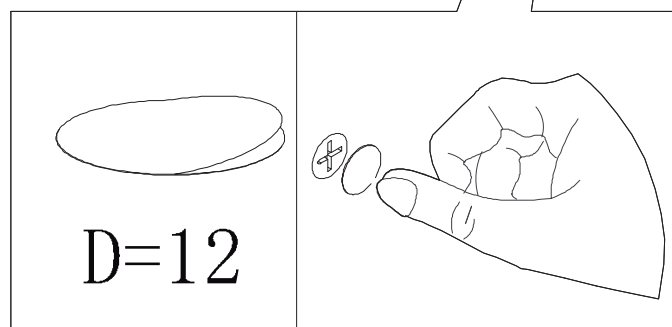
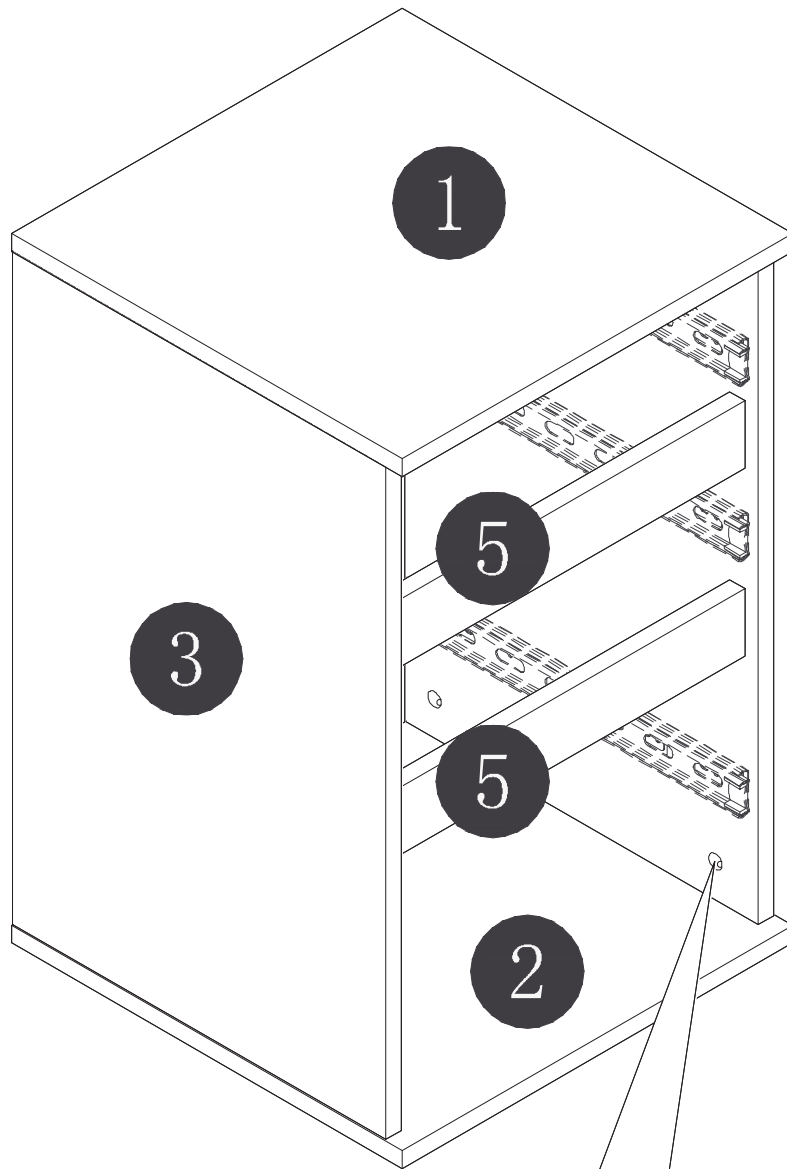


# BANAK

# POPPY

SC-0117

6

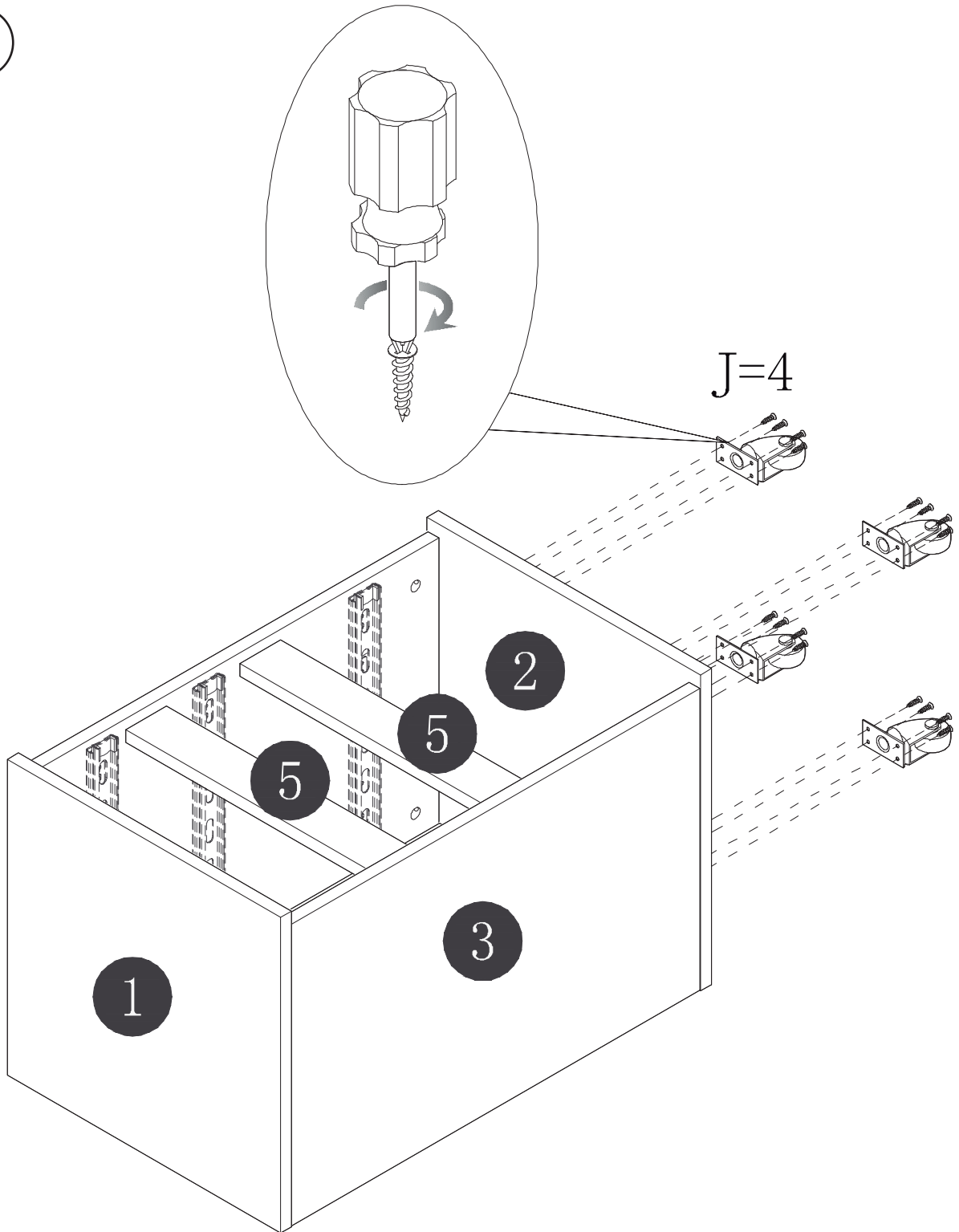


# BANAK

# POPPY

SC-0117

7

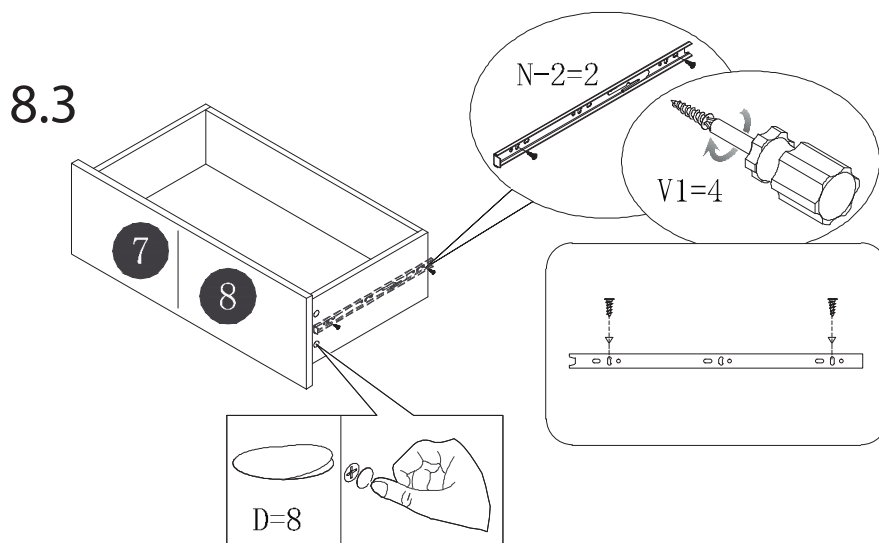
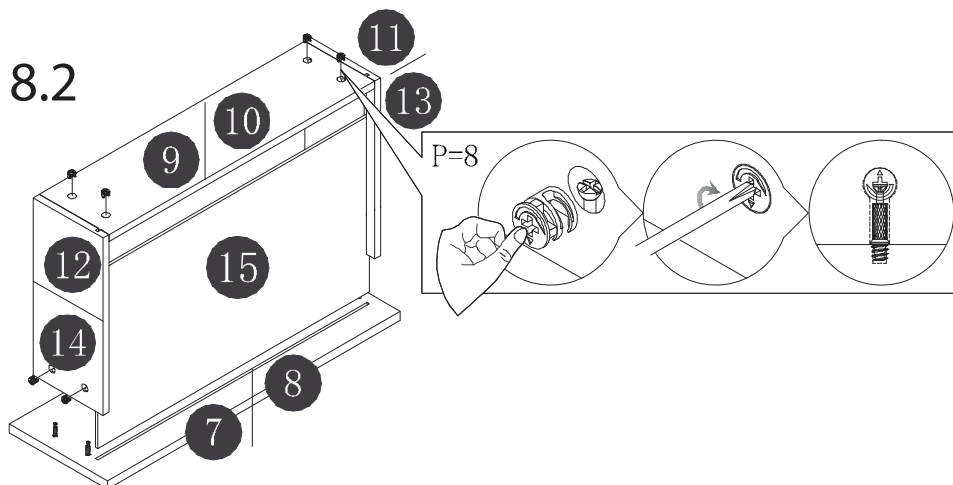
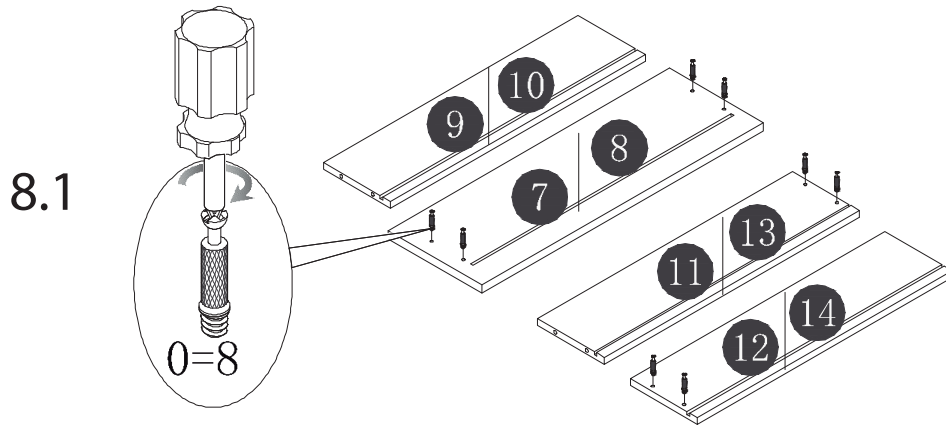


# BANAK

# POPPY

SC-0117

8



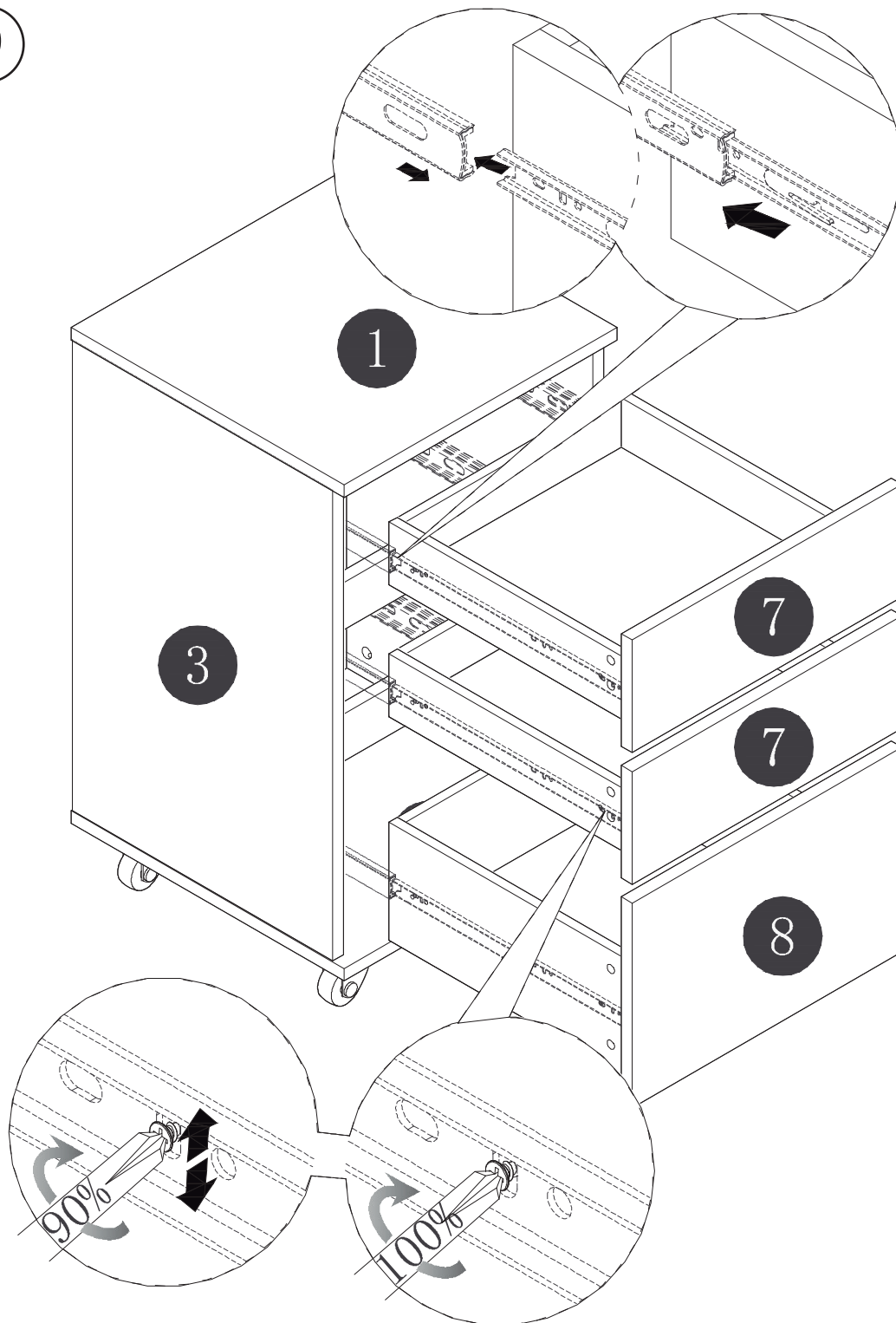
X3

# BANAK

# POPPY

SC-0117

9



# BANAK

# POPPY

SC-0117

10

