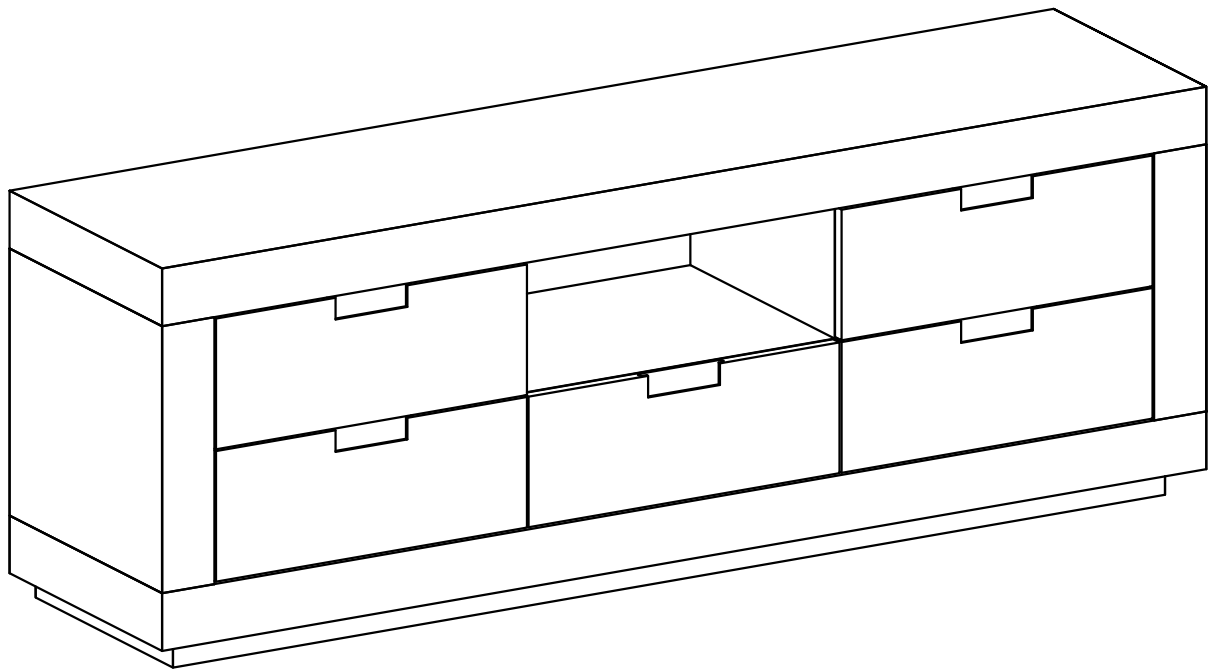


# BANAK

# SISAL

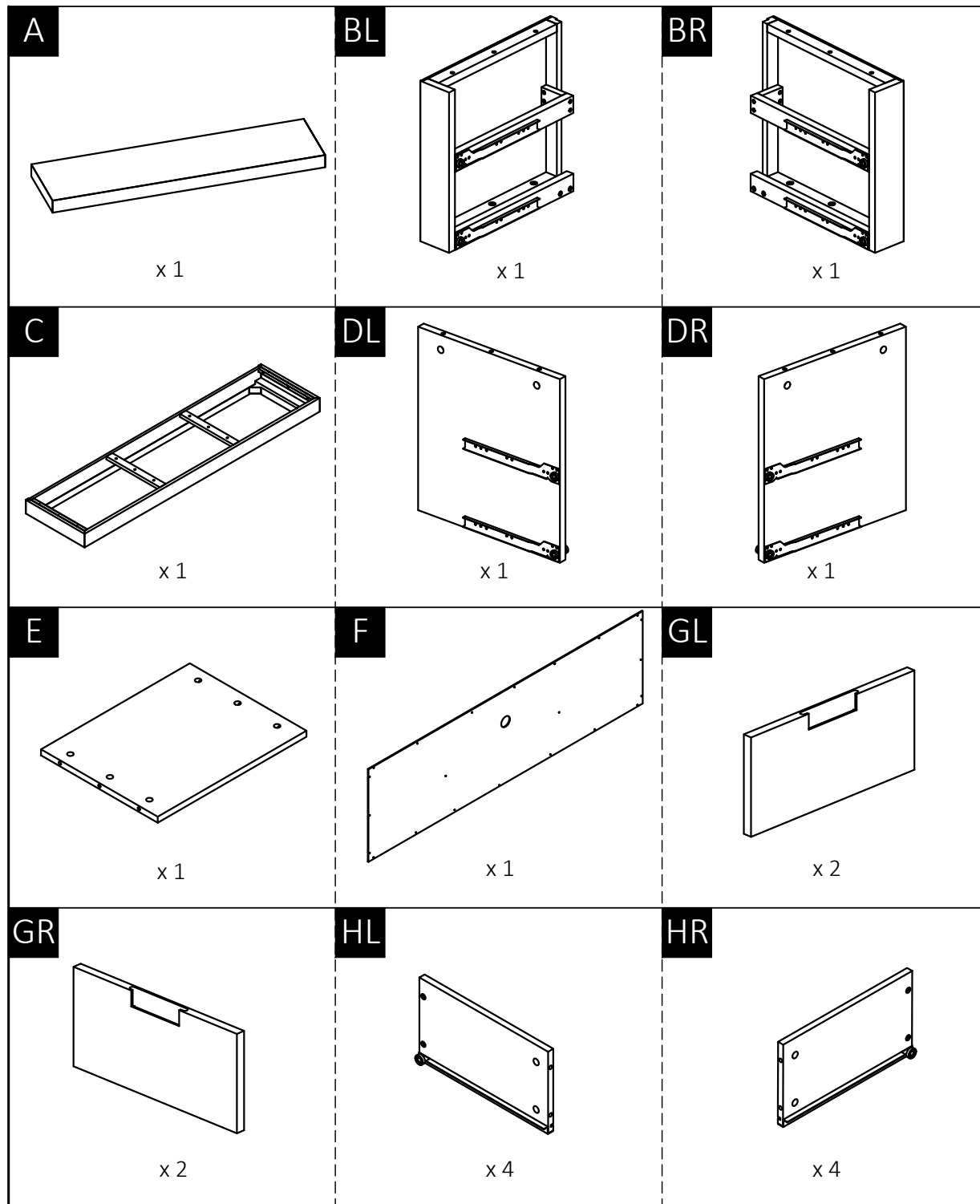
SI-0005



# BANAK

# SISAL

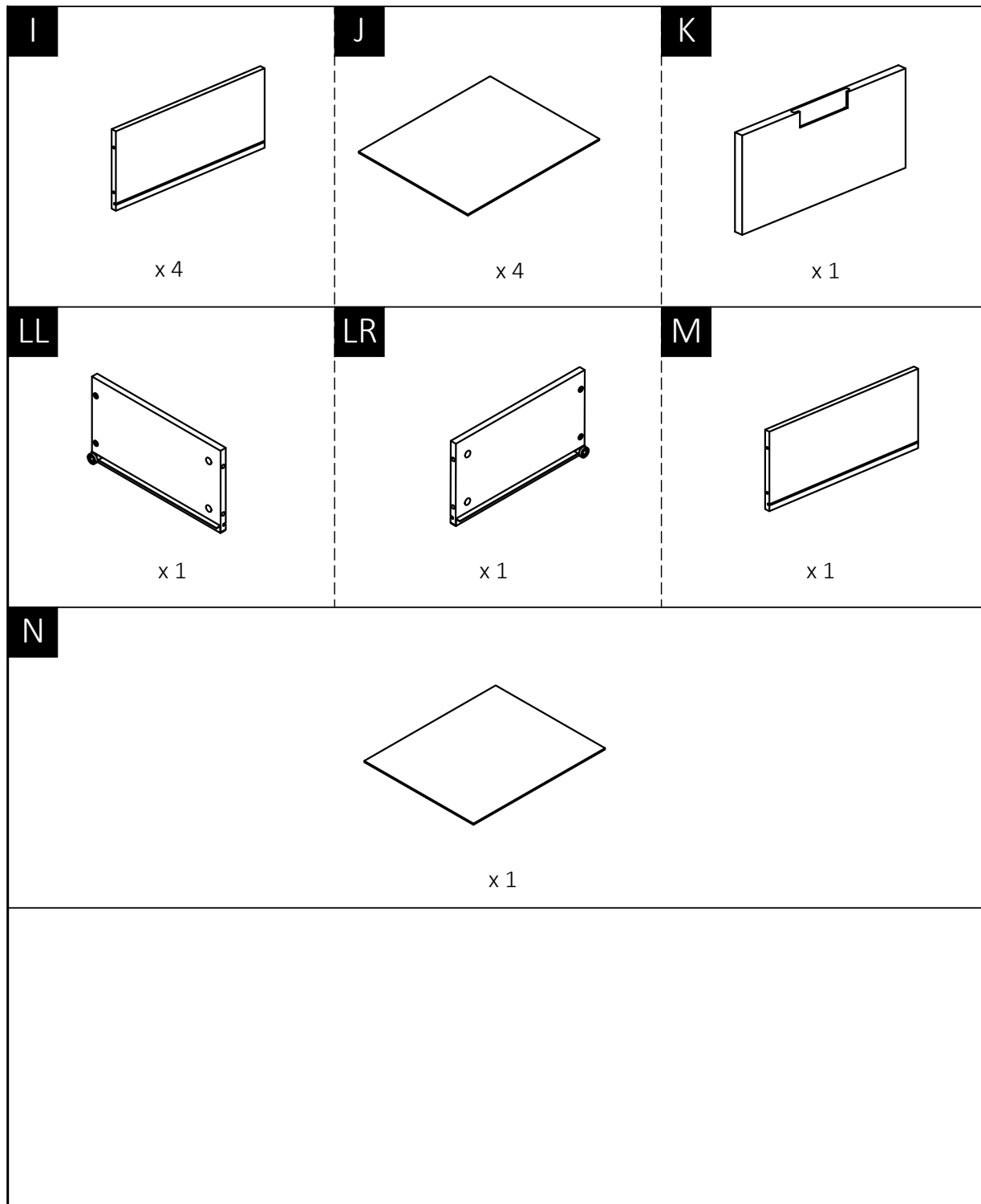
SI-0005



# BANAK

# SISAL

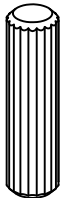
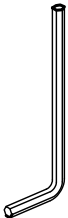
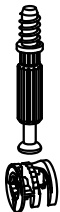
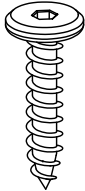
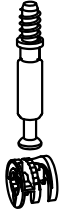
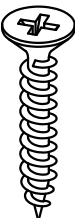
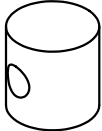
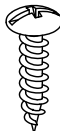
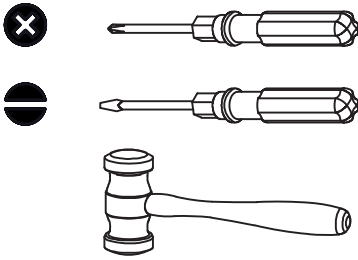

SI-0005



# BANAK

# SISAL

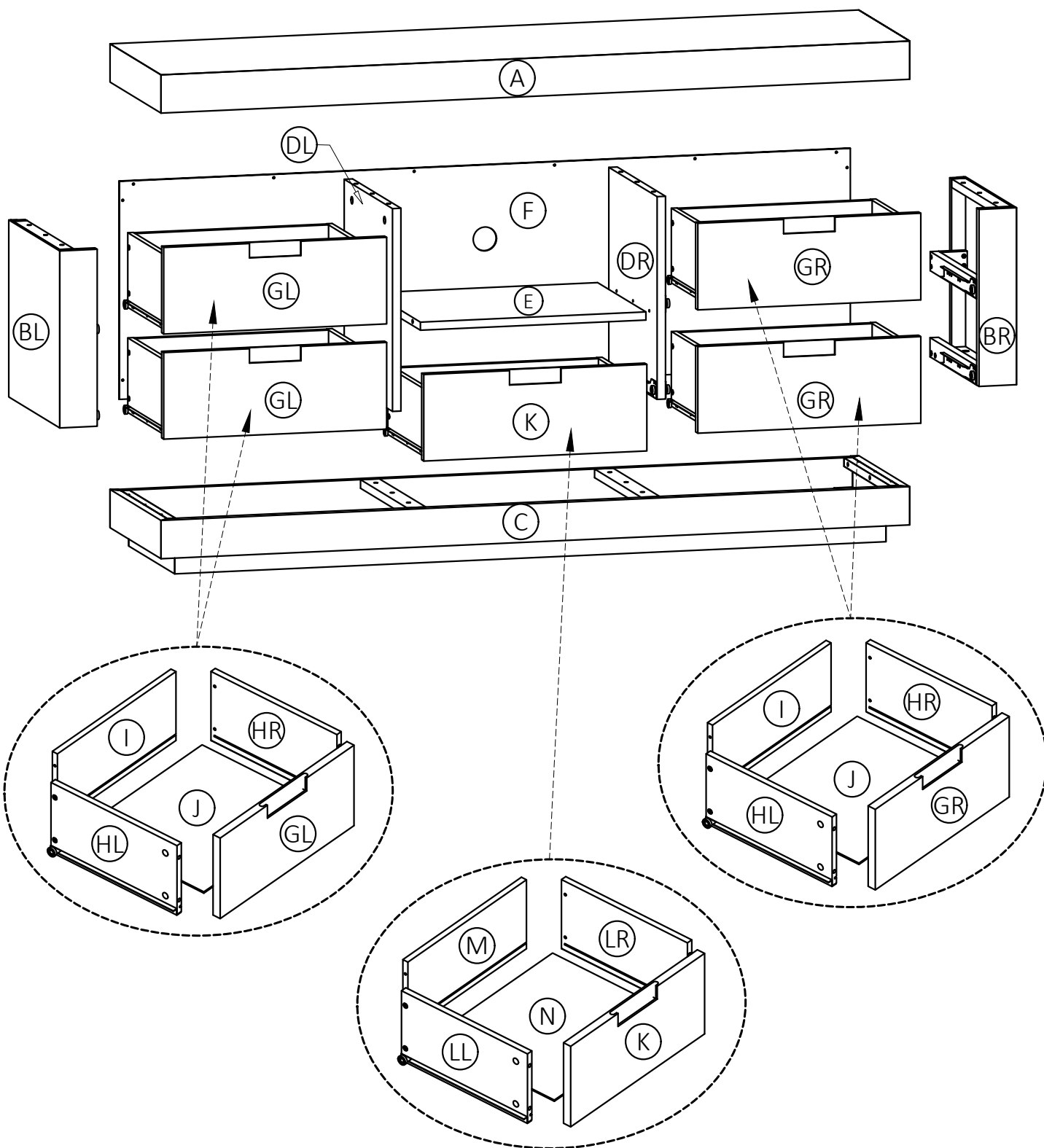
SI-0005

<p><b>1</b></p>  <p>Ø8 X 30mm x 2</p>	<p><b>2</b></p>  <p>x 1</p>	<p><b>3</b></p>  <p>Ø15 X 10 x 10</p>	<p><b>4</b></p>  <p>M6 X 30mm x 18</p>
<p><b>5</b></p>  <p>Ø12 X 10 x 20</p>	<p><b>6</b></p>  <p>M4 X 30mm x 20</p>	<p><b>7</b></p>  <p>M8 X 8mm x 20</p>	<p><b>8</b></p>  <p>M4 X 15mm x 22</p>
 			

# BANAK

# SISAL

SI-0005

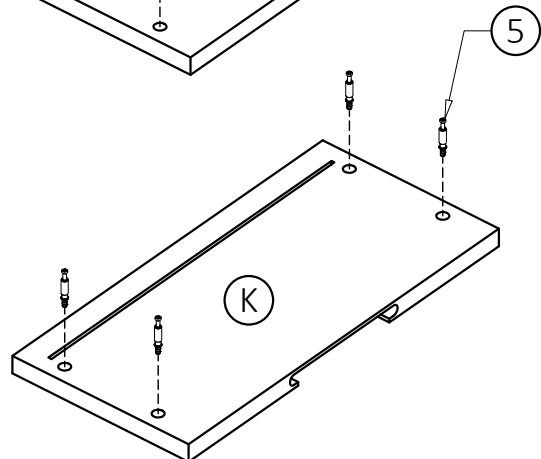
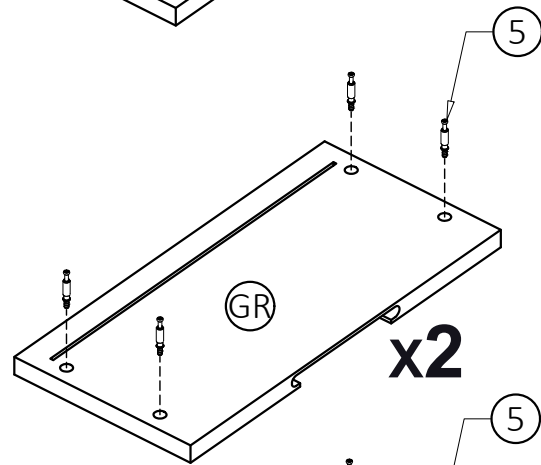
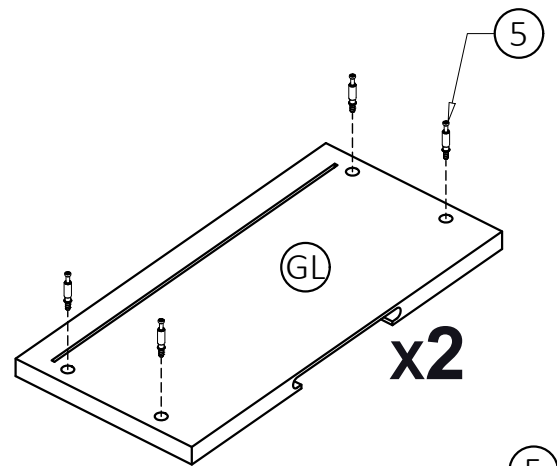
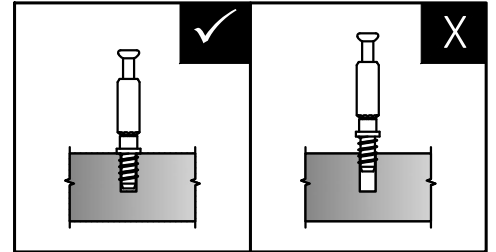
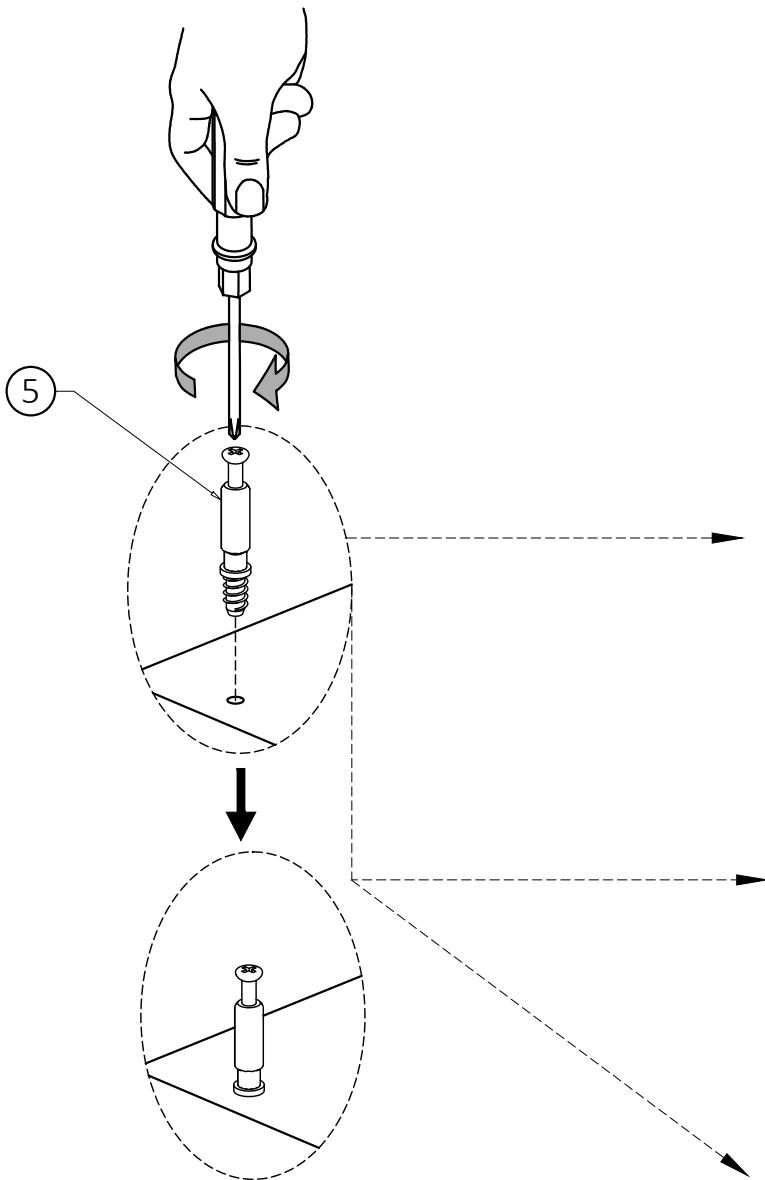


# BANAK

# SISAL

SI-0005

1

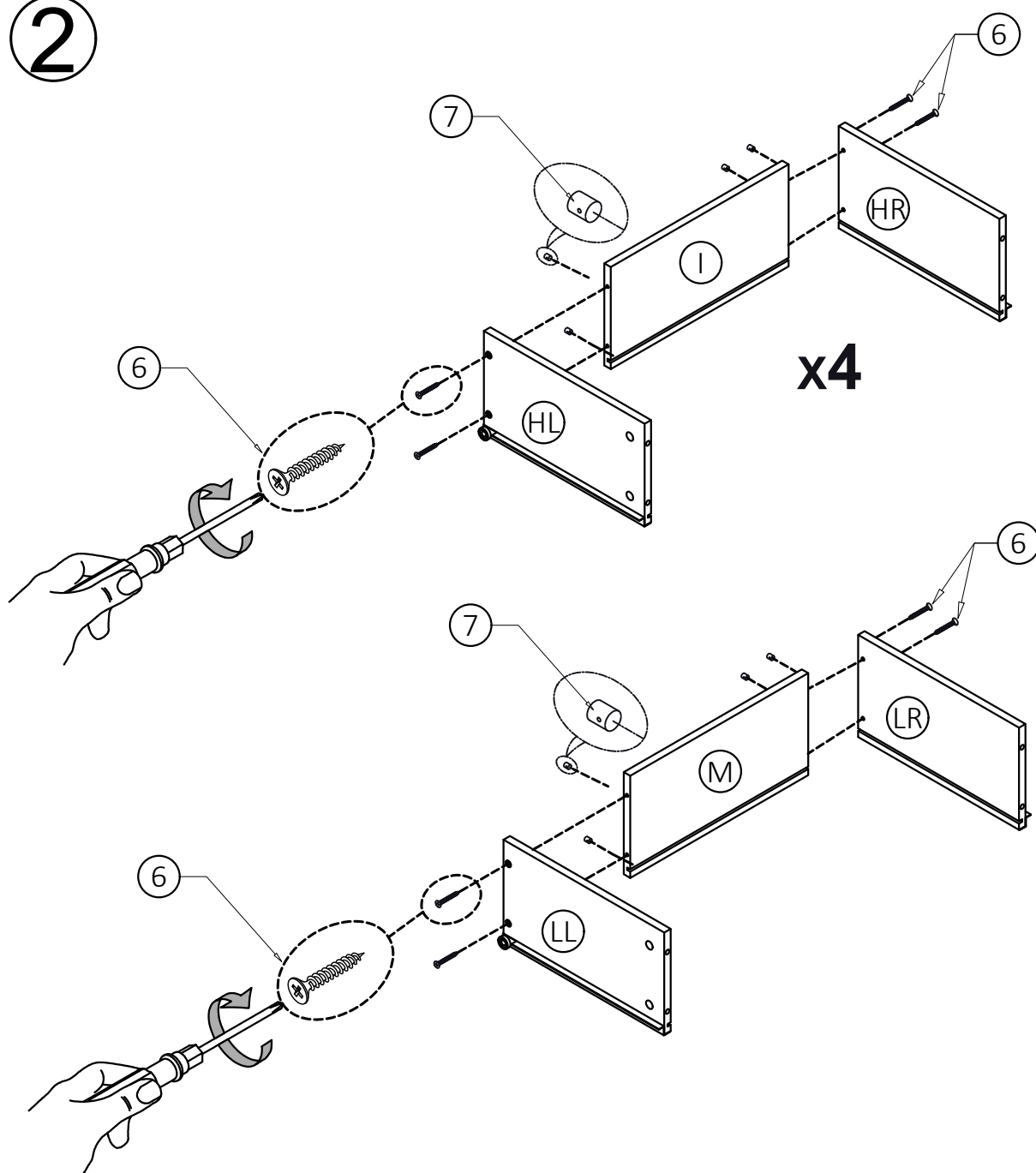


# BANAK

# SISAL

SI-0005

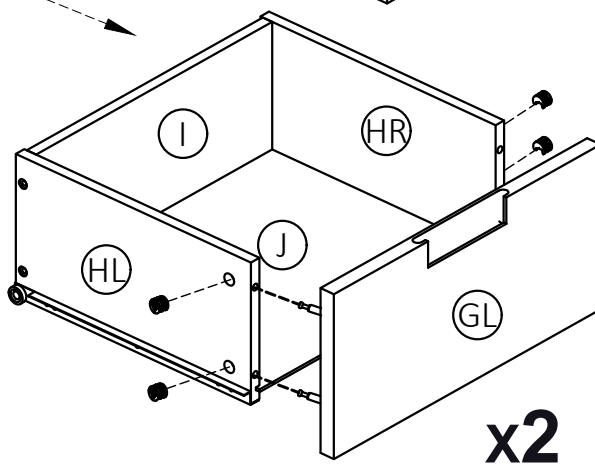
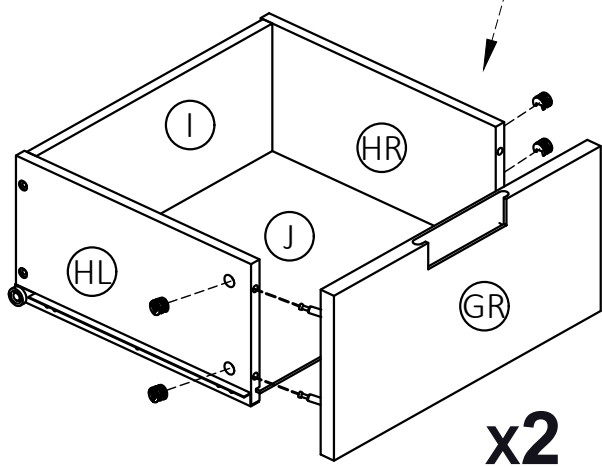
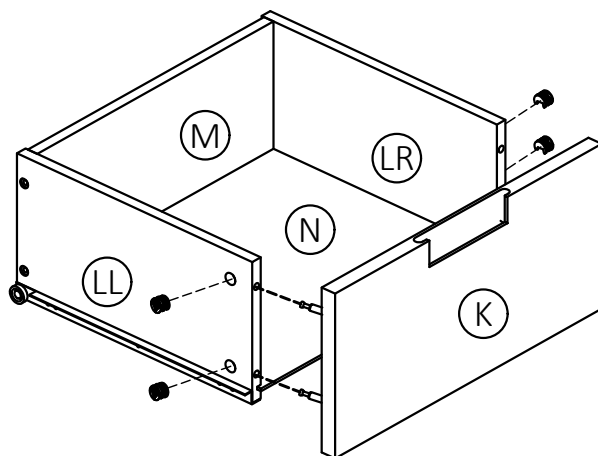
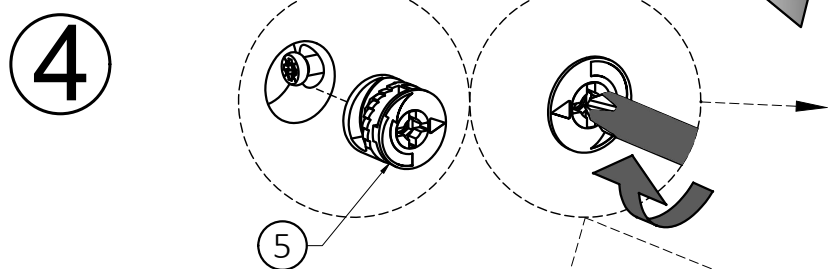
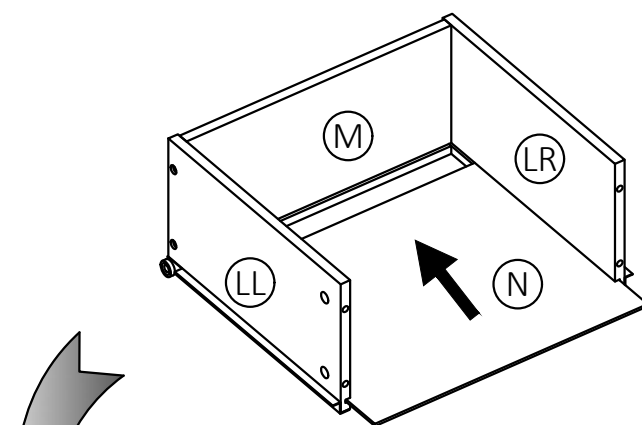
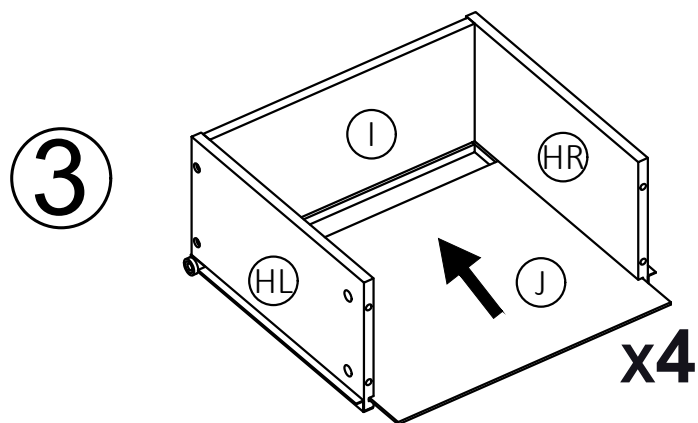
2



# BANAK

# SISAL

SI-0005



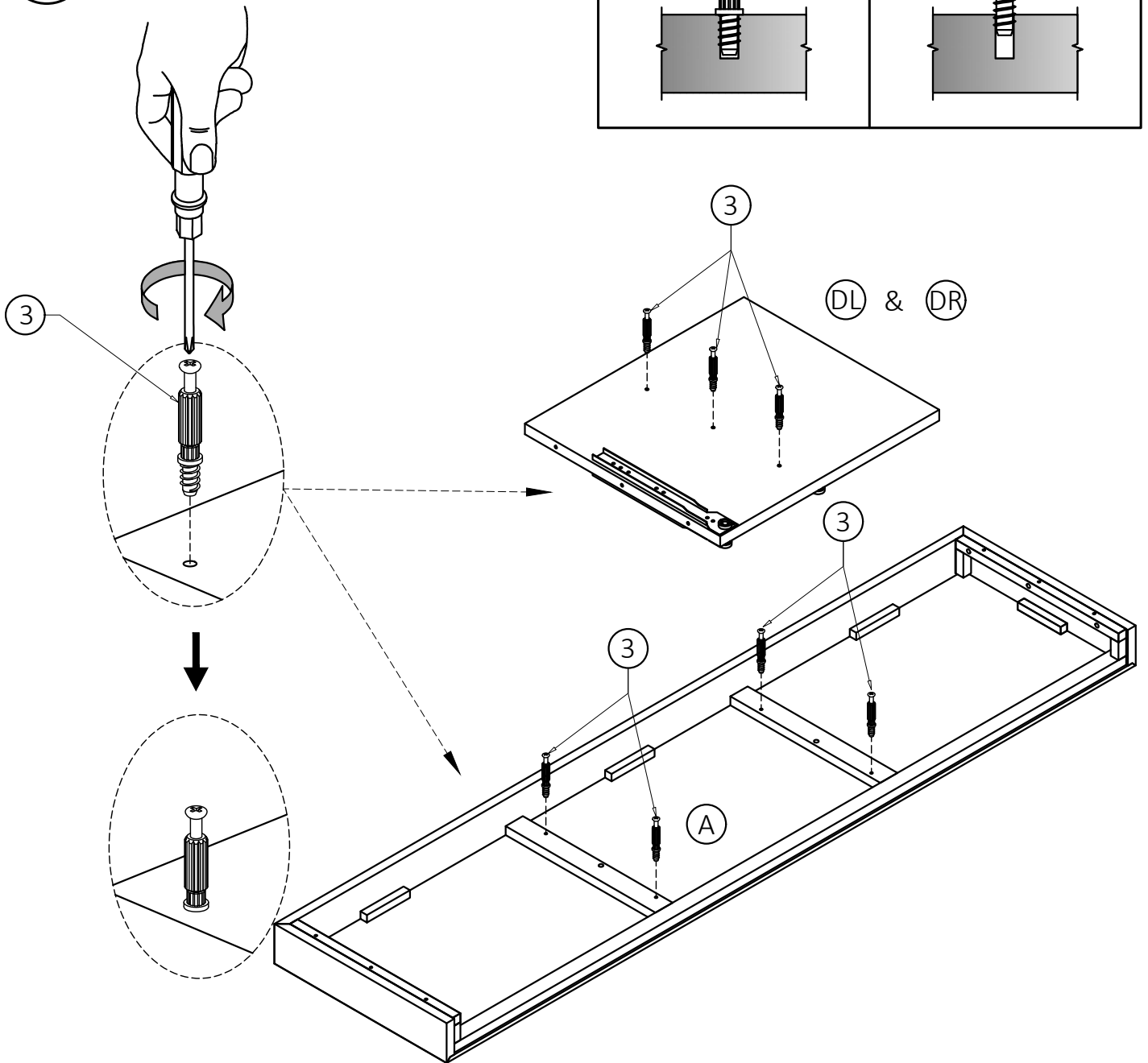


# BANAK

# SISAL

SI-0005

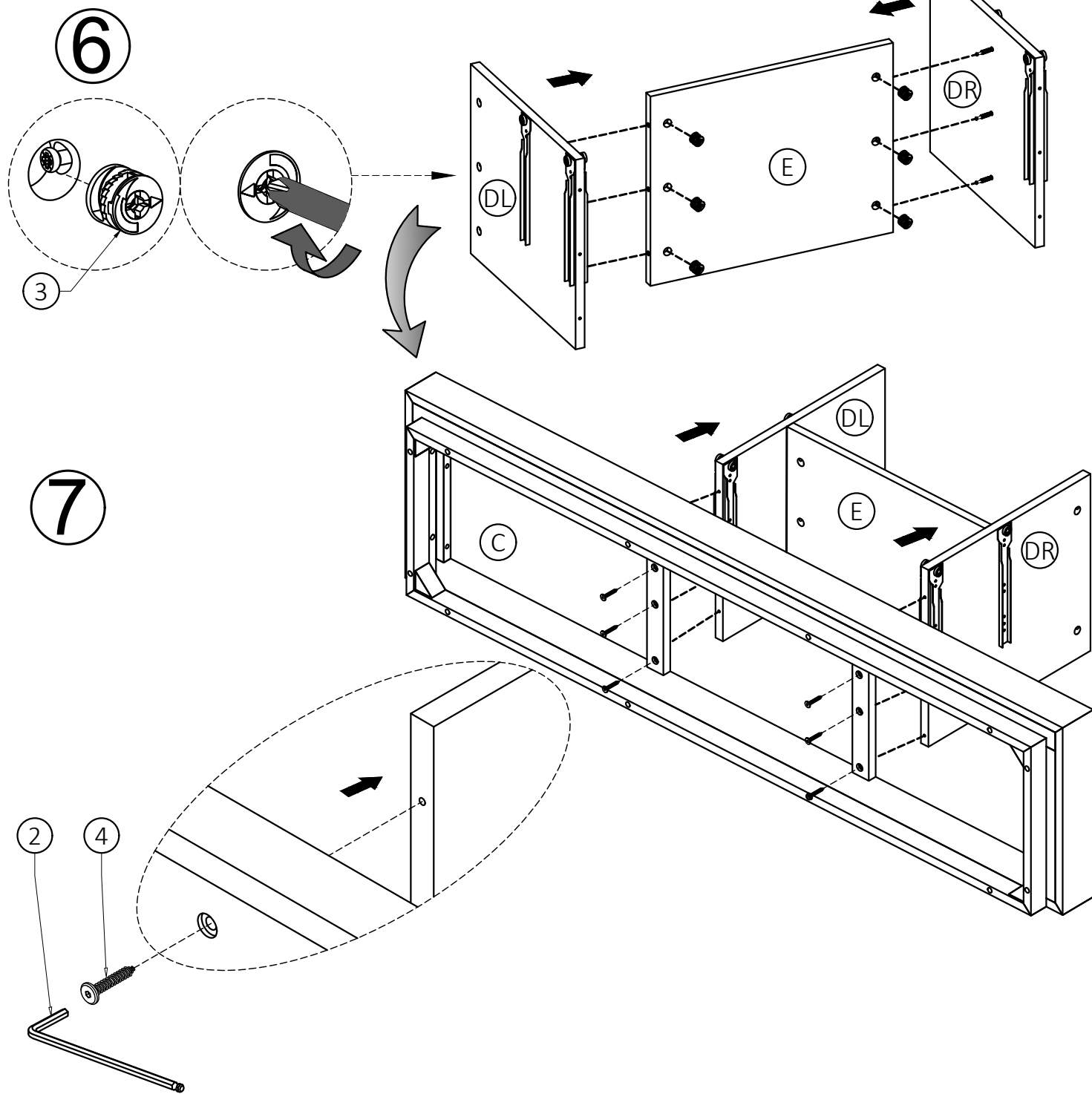
5



# BANAK

# SISAL

SI-0005

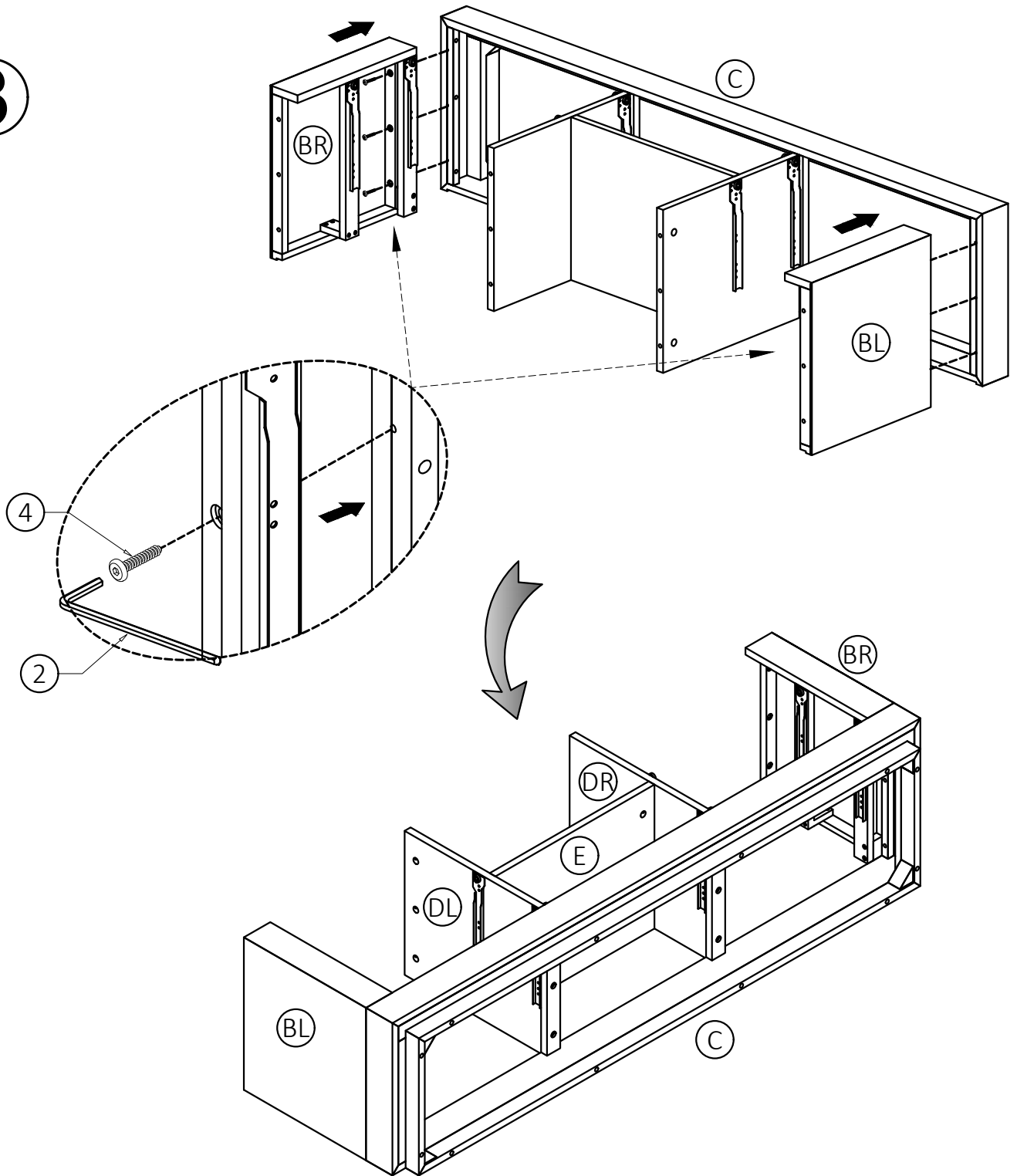


# BANAK

# SISAL

SI-0005

8

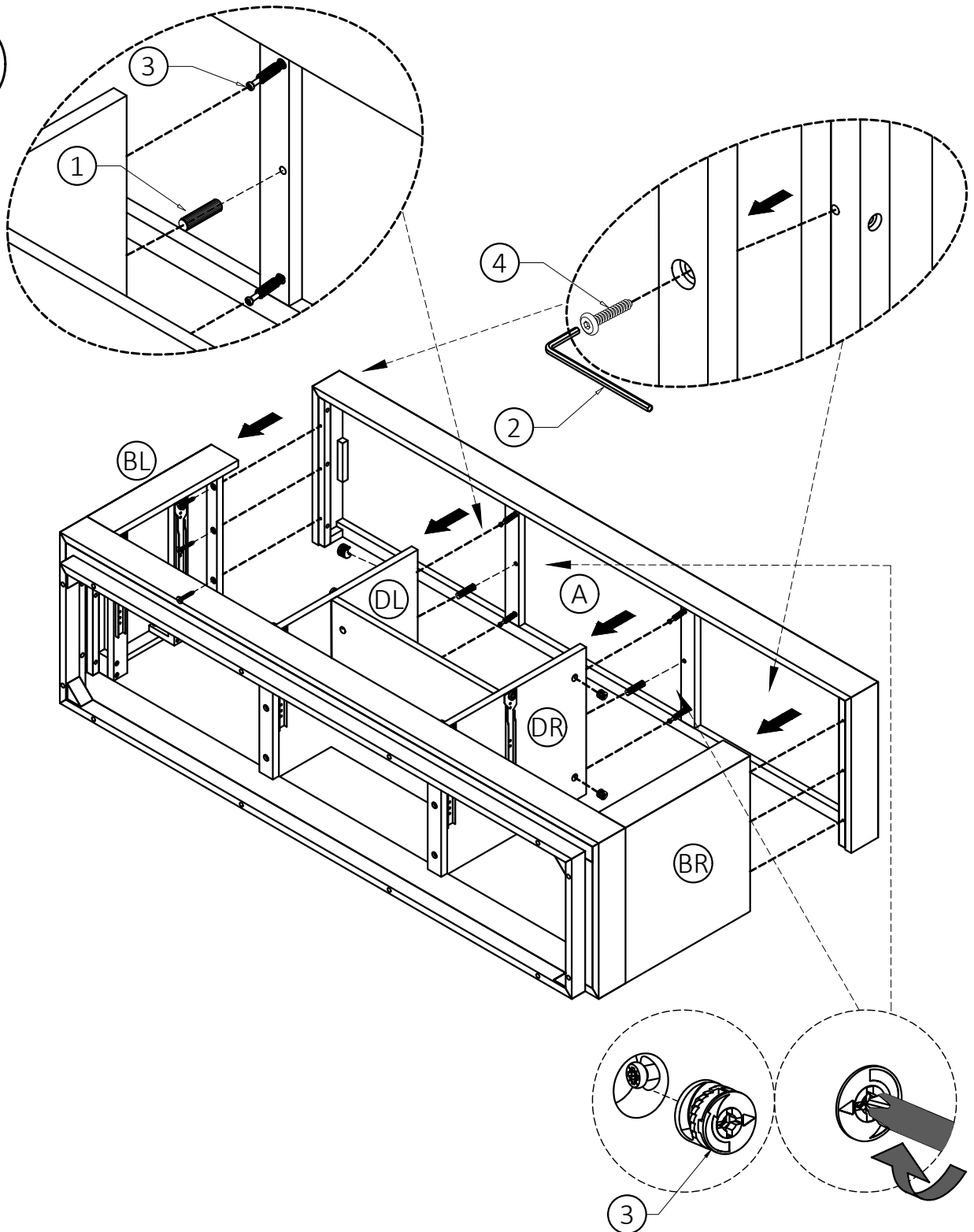


# BANAK

# SISAL

SI-0005

9

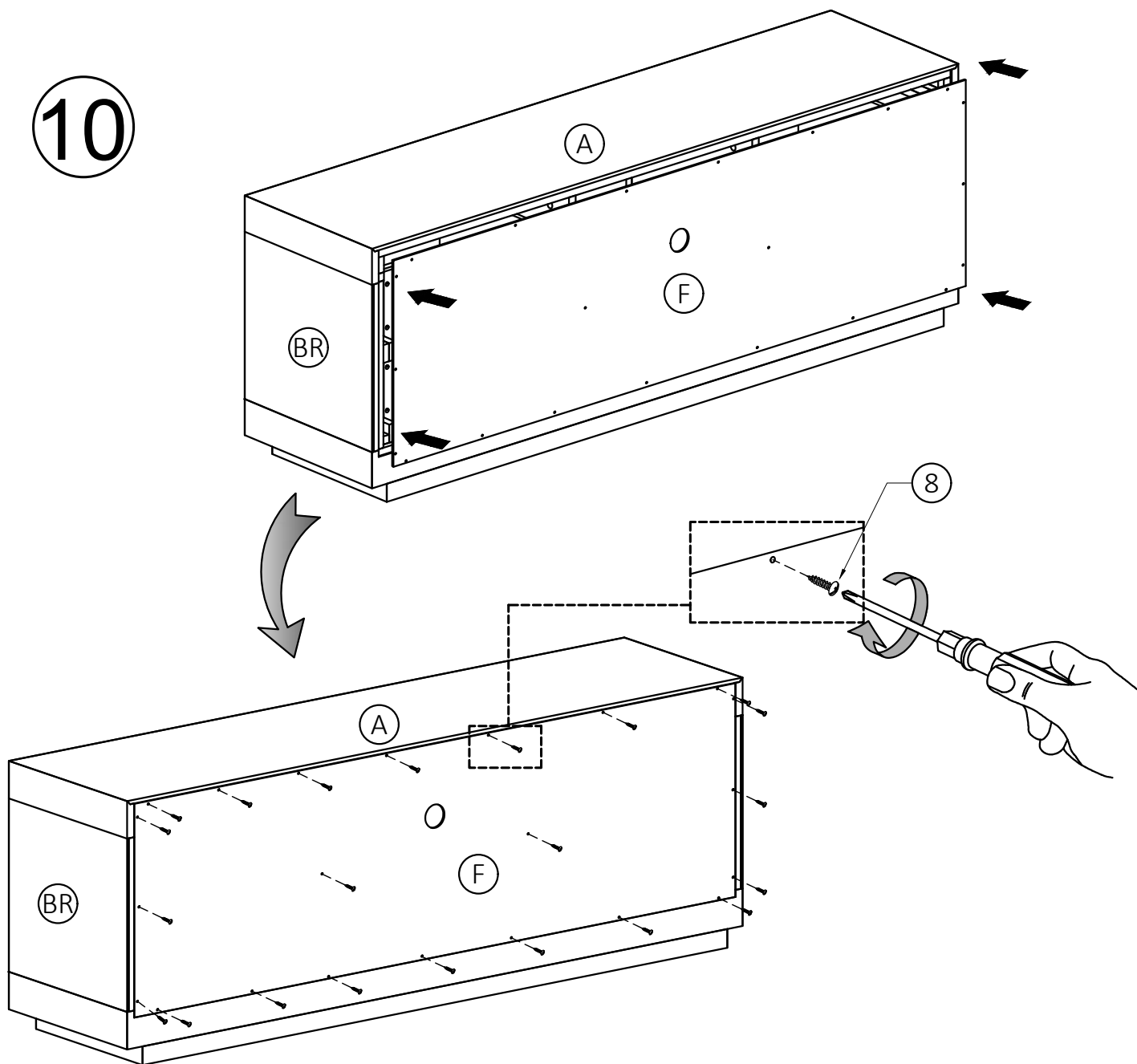


# BANAK

# SISAL

SI-0005

10



# BANAK

# SISAL

SI-0005

11

