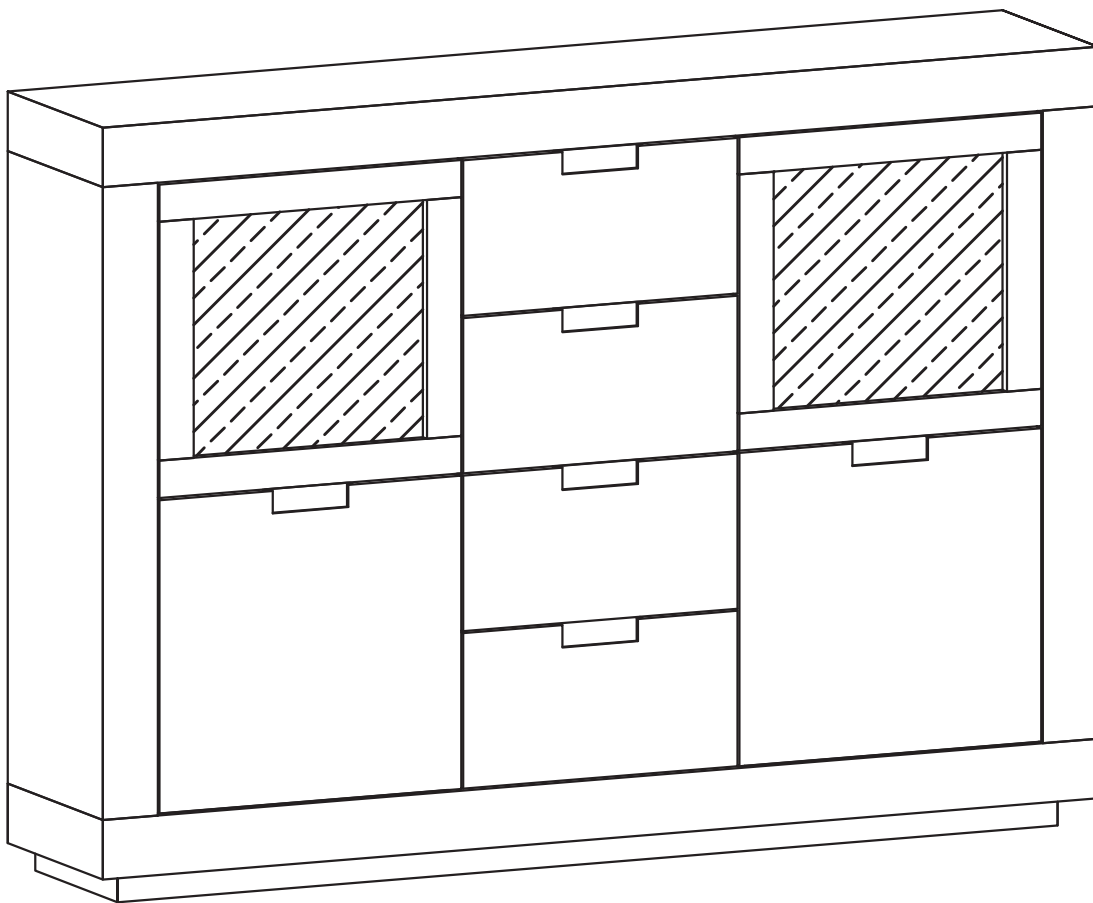


BANAK

SISAL

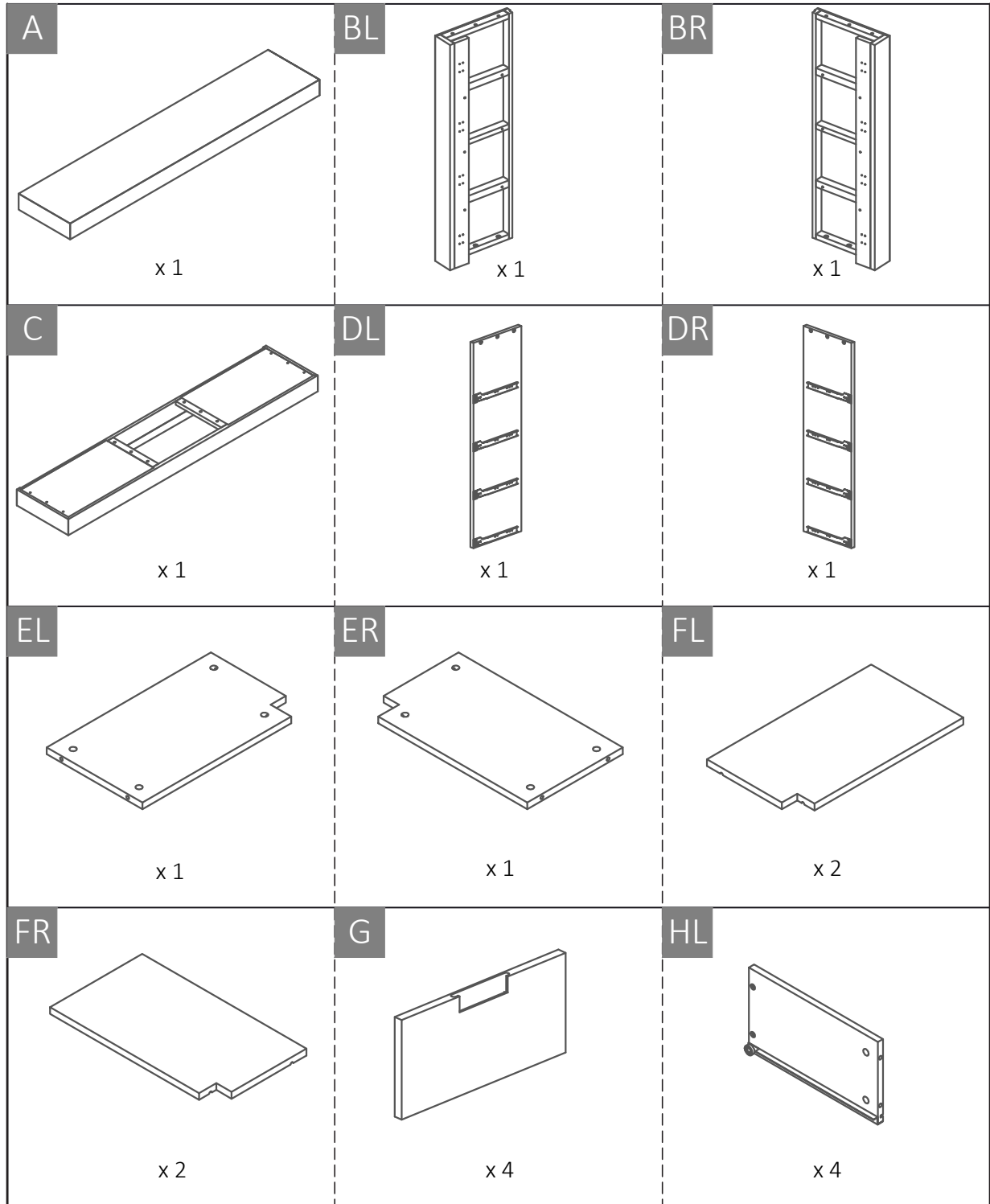
SI-0007



BANAK

SISAL

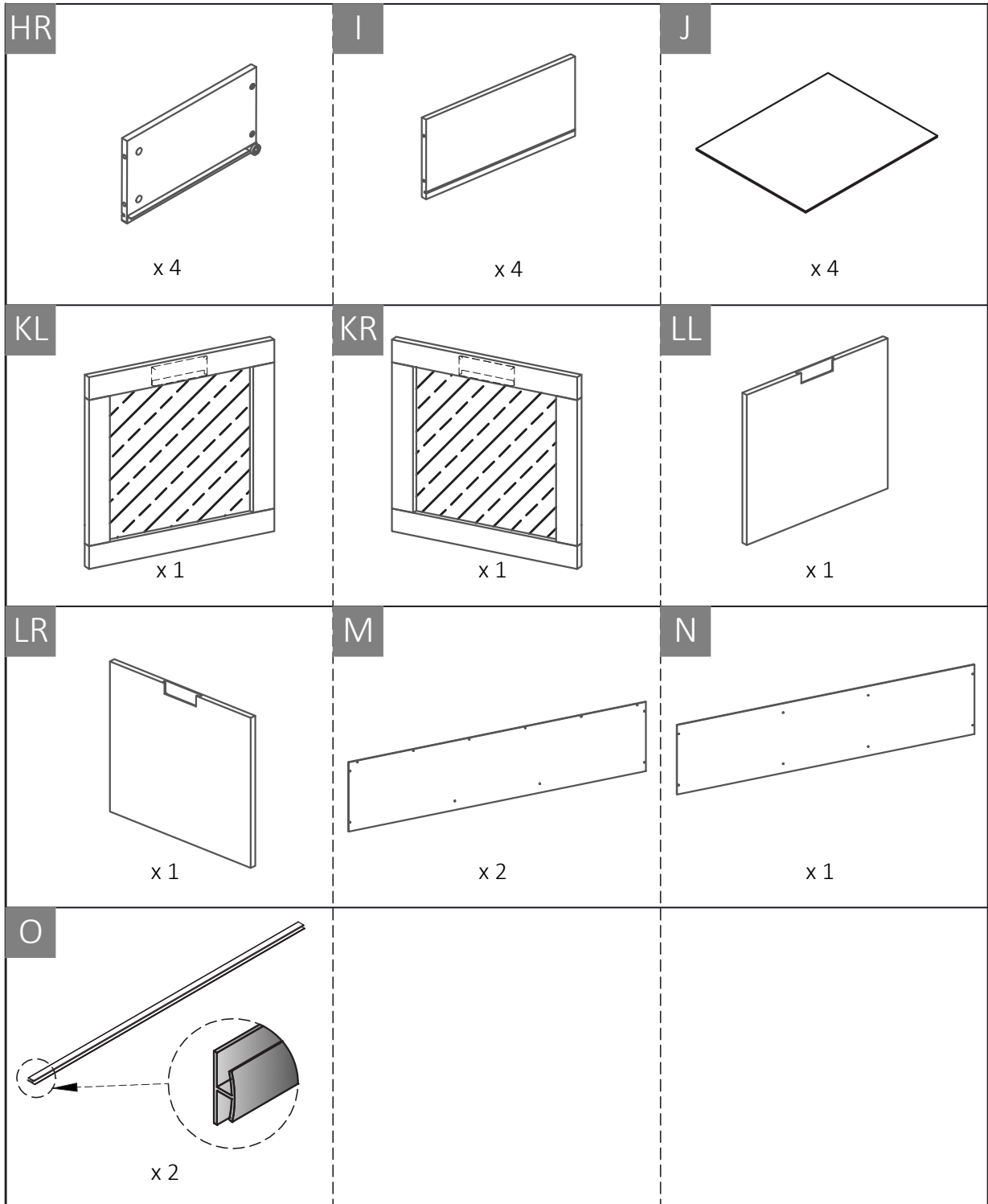
SI-0007



BANAK

SISAL

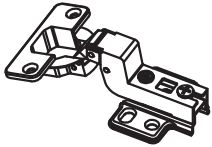
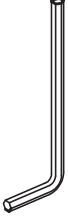
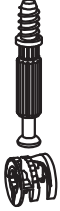
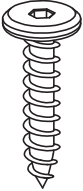
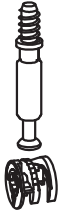
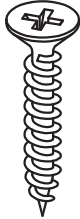

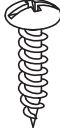
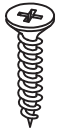
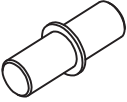

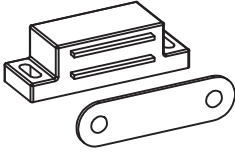

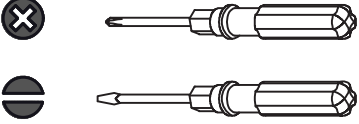


SI-0007



BANAK

SISAL

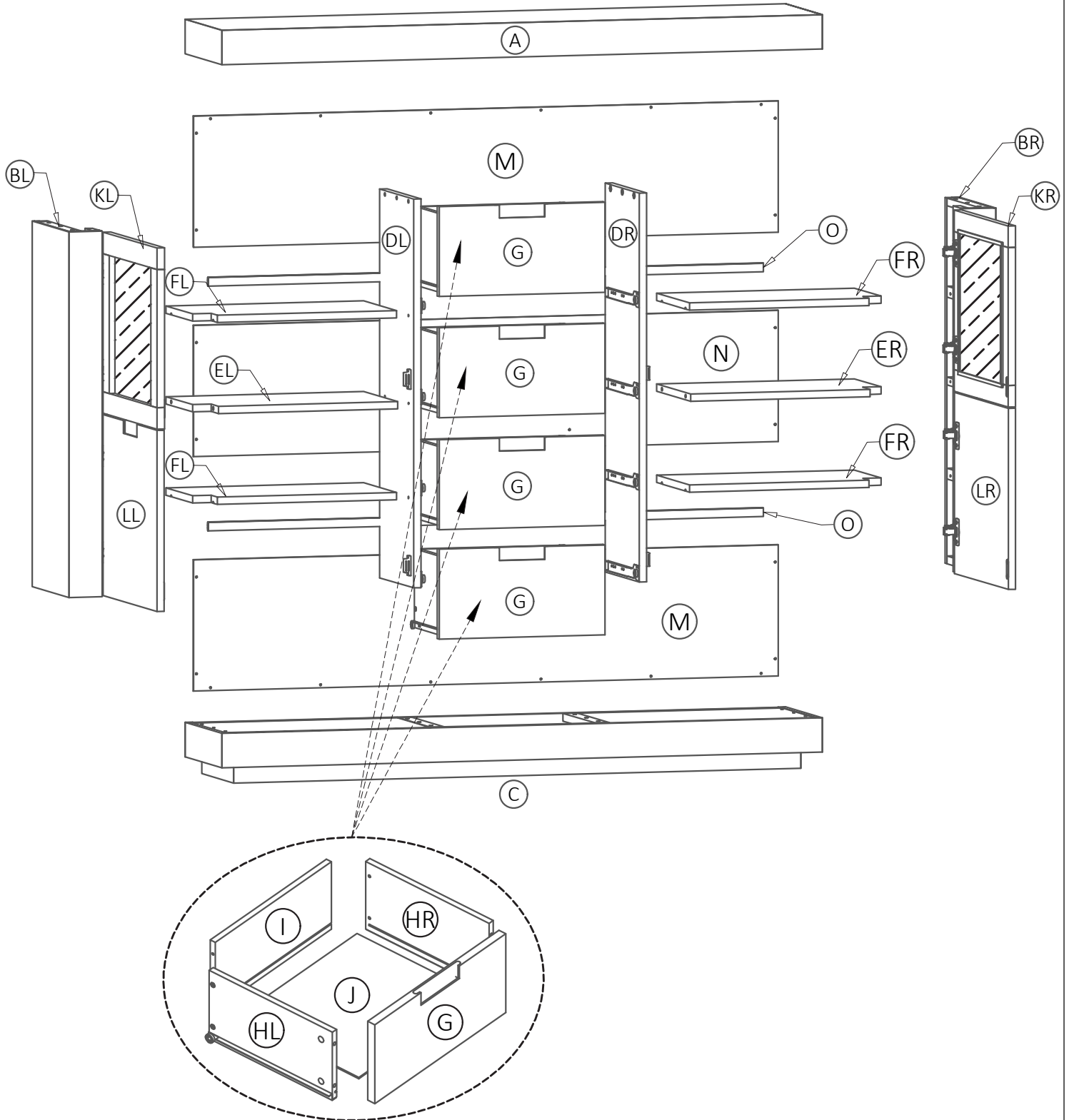
SI-0007

<p>1</p>  <p>x 8</p>	<p>2</p>  <p>x 1</p>	<p>3</p>  <p>Ø15 X 10 x 8</p>	<p>4</p>  <p>M6 X 30mm x 24</p>
<p>5</p>  <p>Ø12 X 10 x 16</p>	<p>6</p>  <p>M4 X 30mm x 16</p>	<p>7</p>  <p>M8 X 8mm x 16</p>	<p>8</p>  <p>M4 X 15mm x 32</p>
<p>9</p>  <p>M3 X 15mm x 16</p>	<p>10</p>  <p>x 16</p>	<p>11</p>  <p>M4 X 15mm x 48</p>	<p>12</p>  <p>x 4</p>
<p>13</p>  <p>x 6</p>	  		

BANAK

SISAL

SI-0007

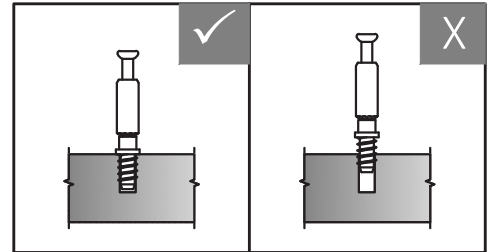
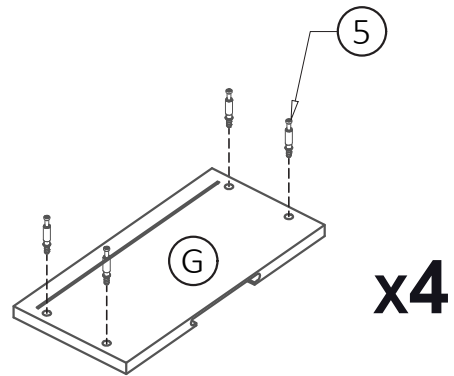
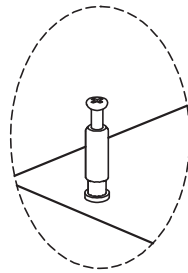
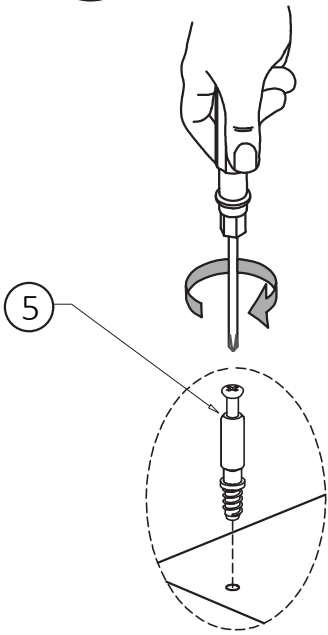


BANAK

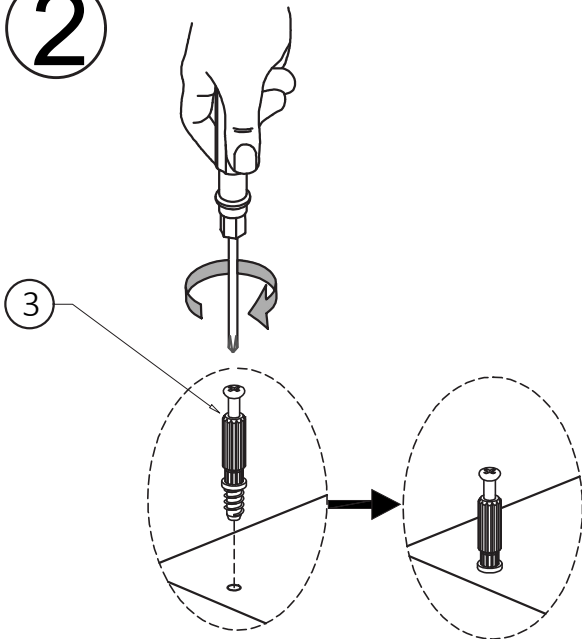
SISAL

SI-0007

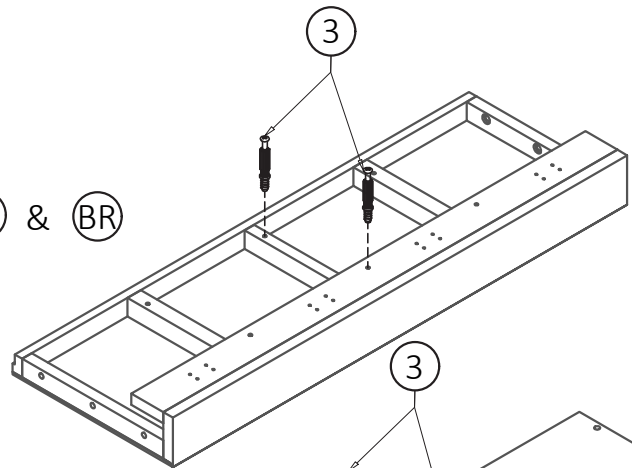
1



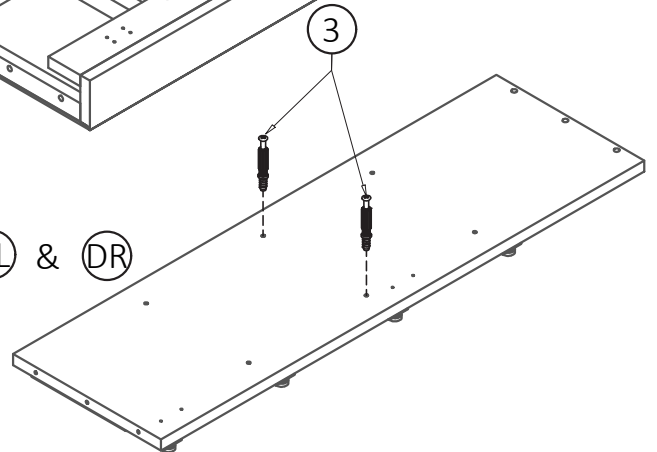
2



BL & BR



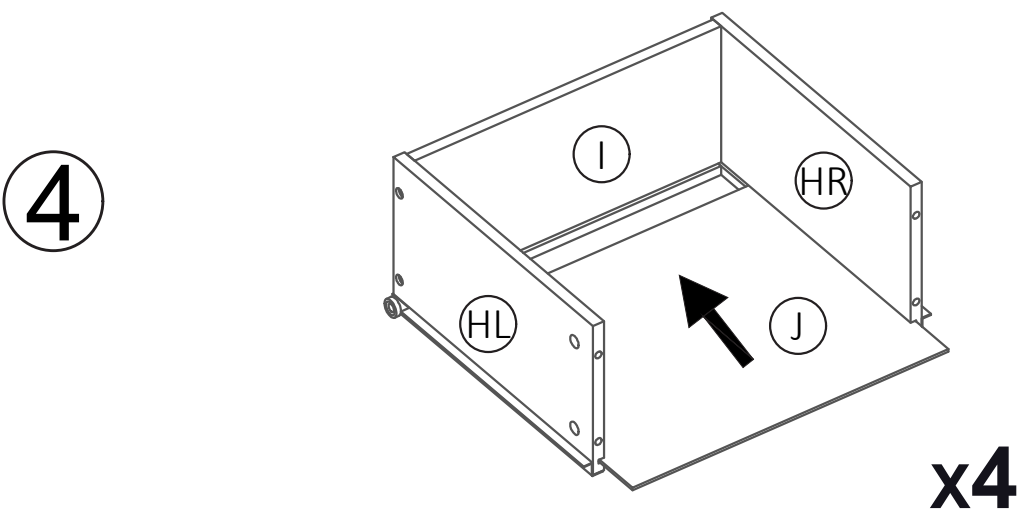
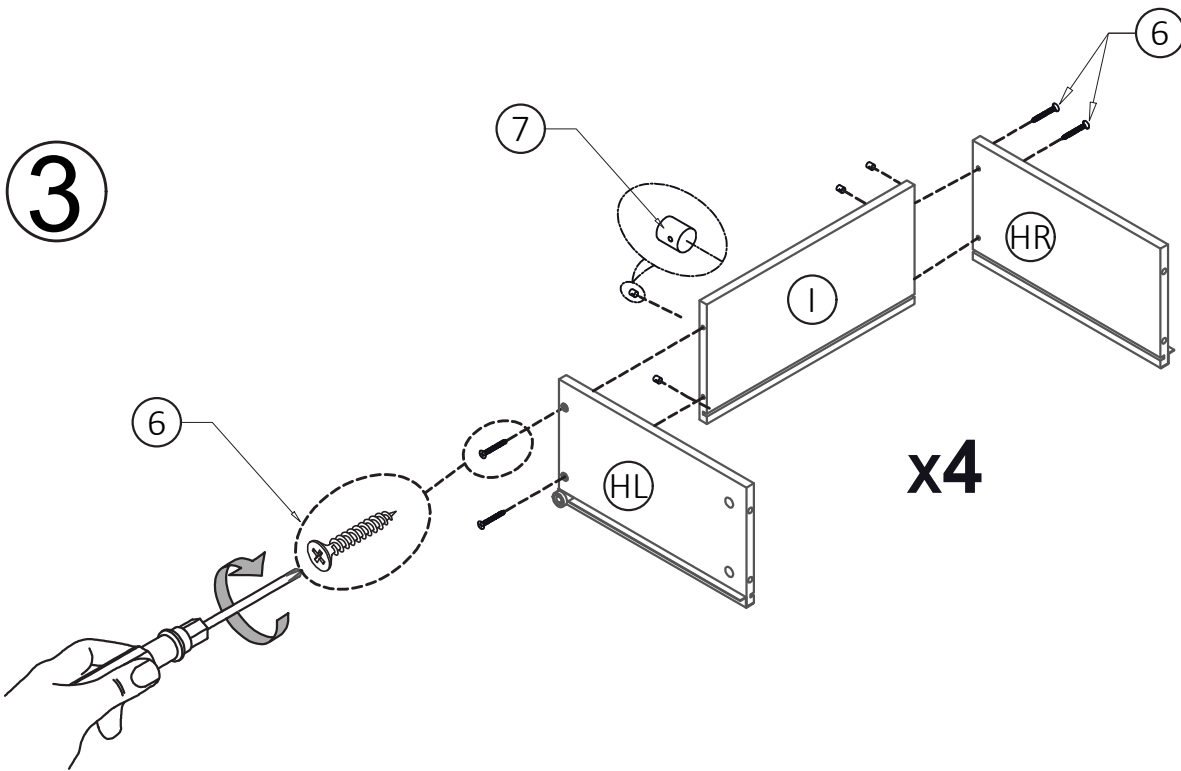
DL & DR



BANAK

SISAL

SI-0007

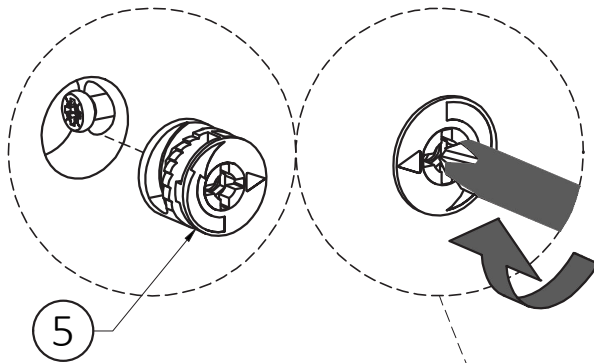


BANAK

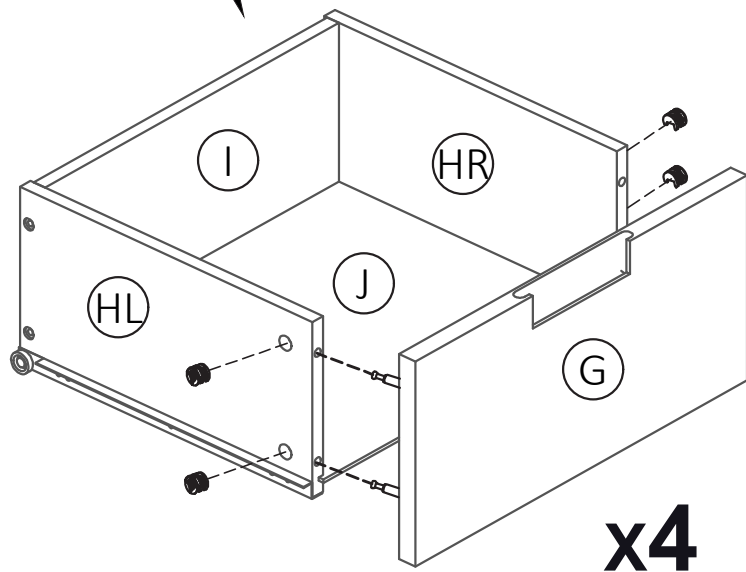
SISAL

SI-0007

5



5



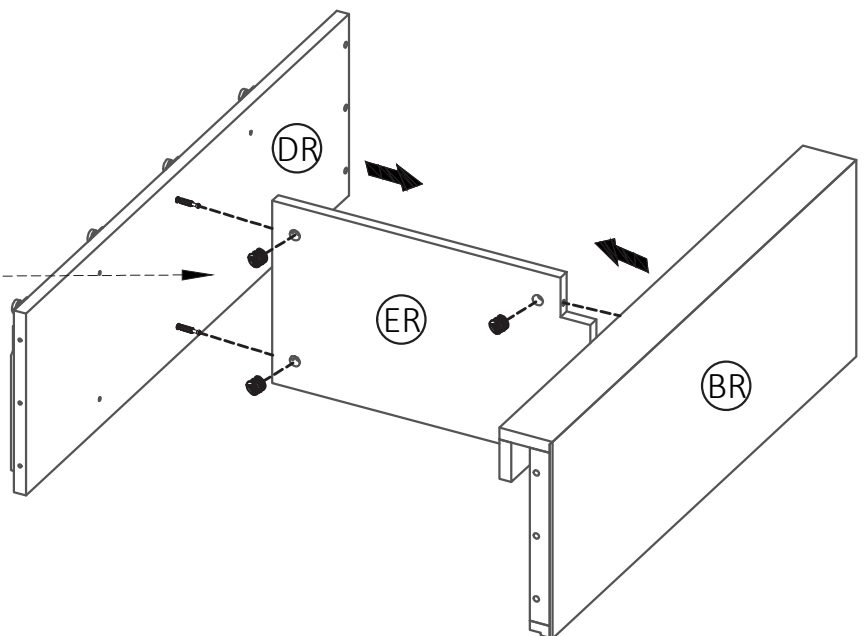
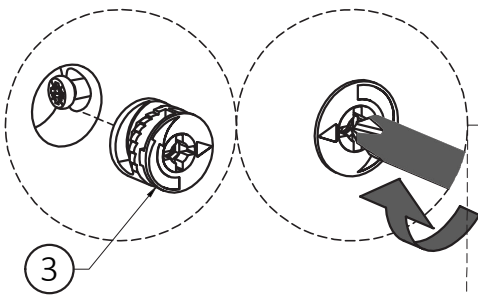
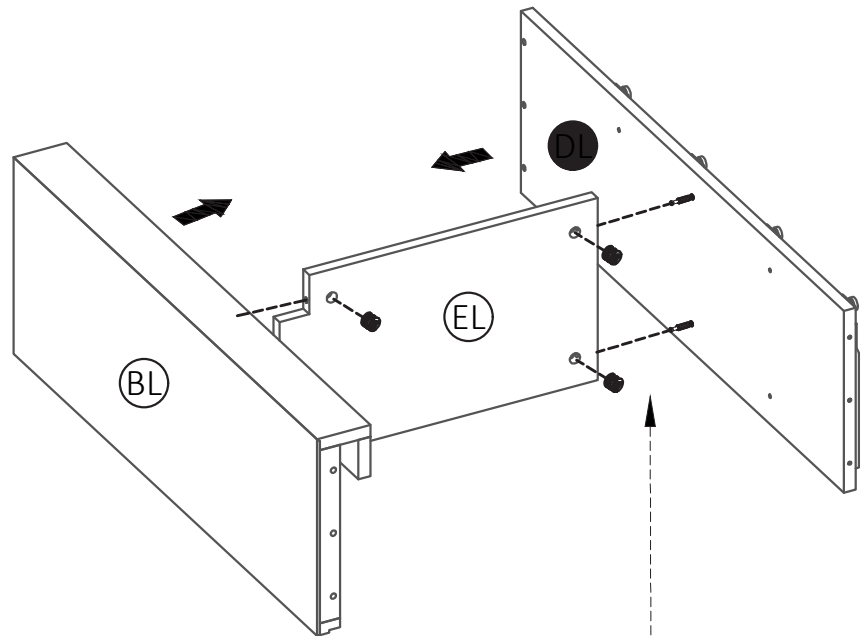
x4

BANAK

SISAL

SI-0007

6

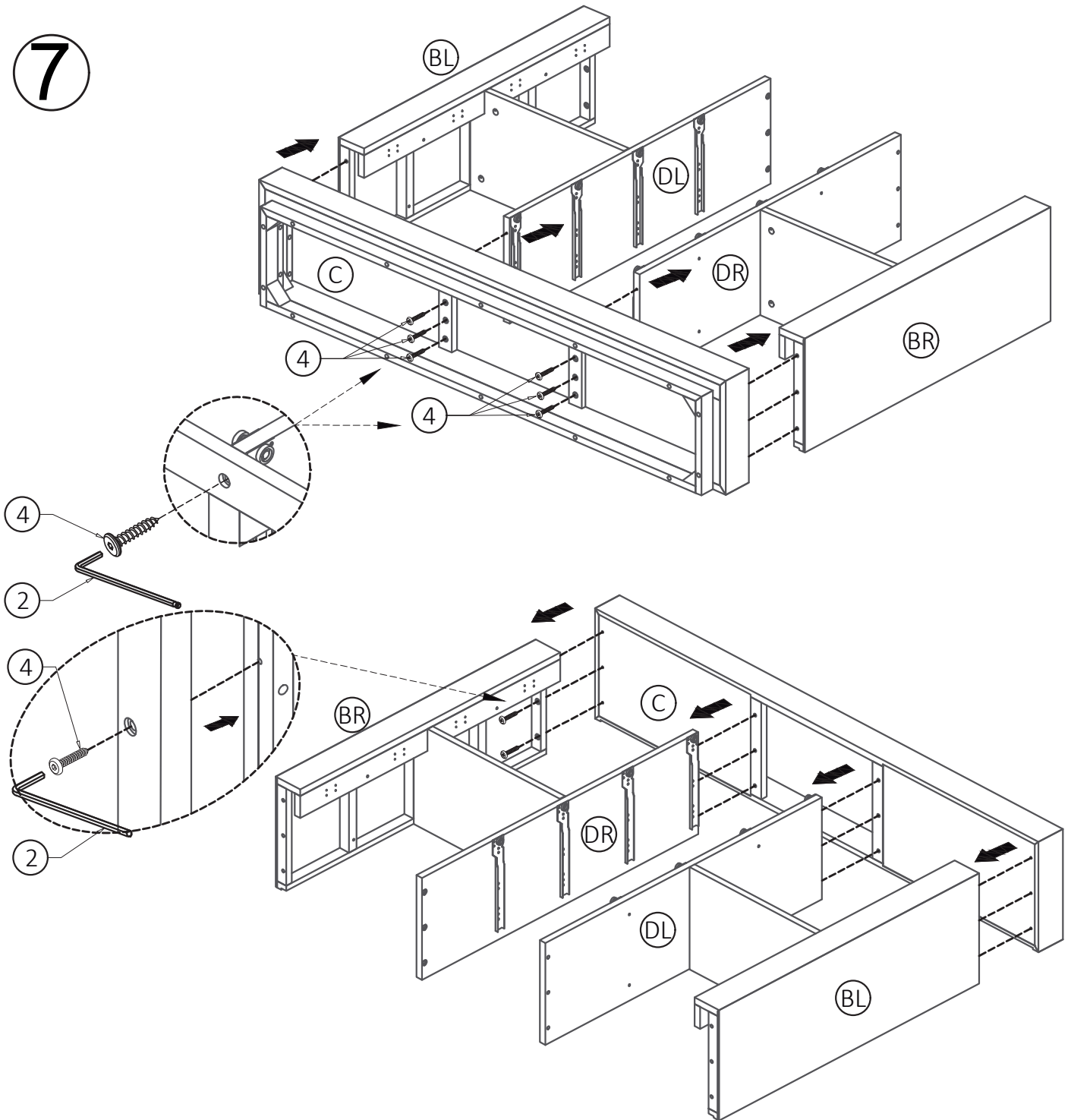


BANAK

SISAL

SI-0007

7

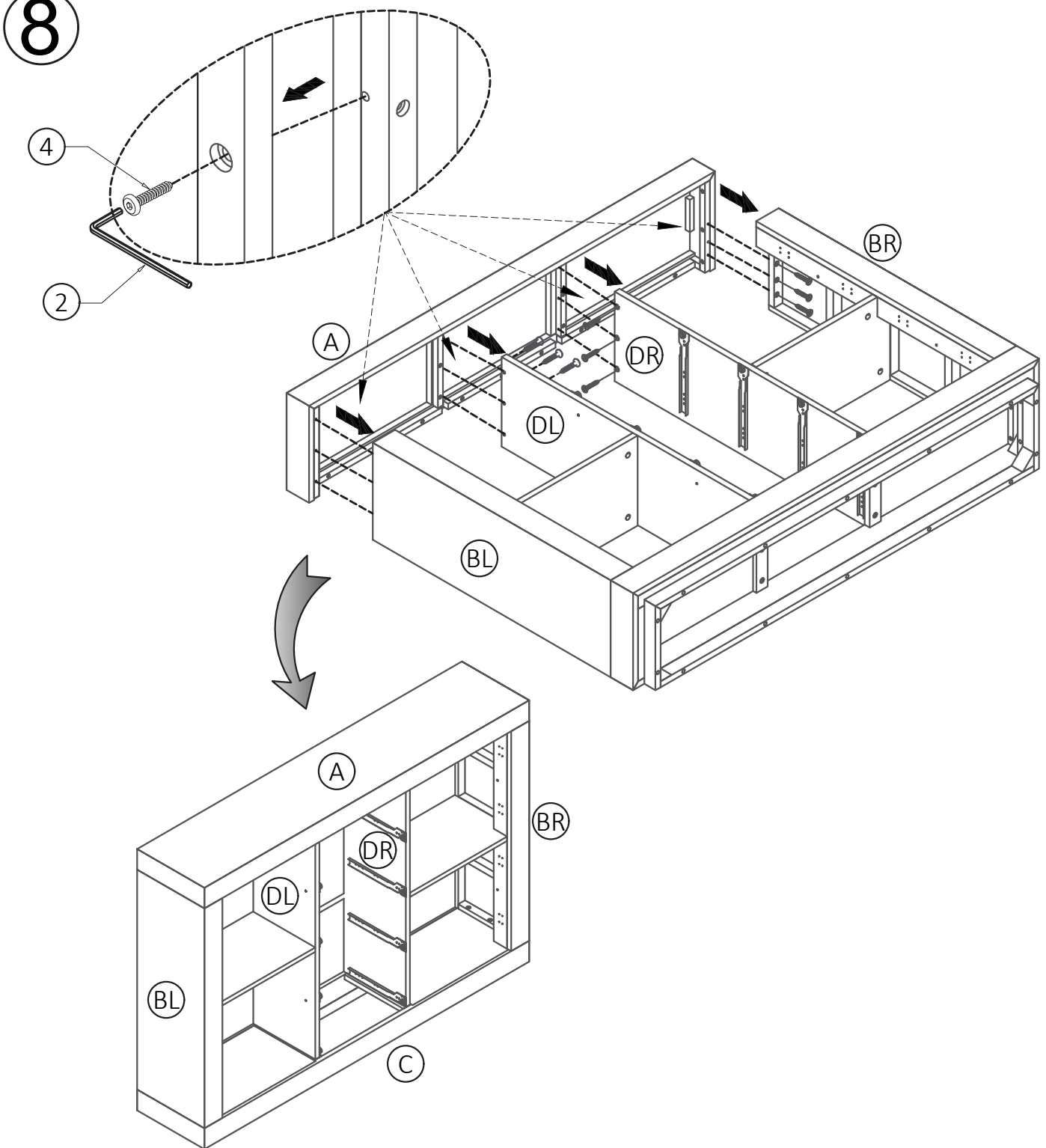


BANAK

SISAL

SI-0007

8

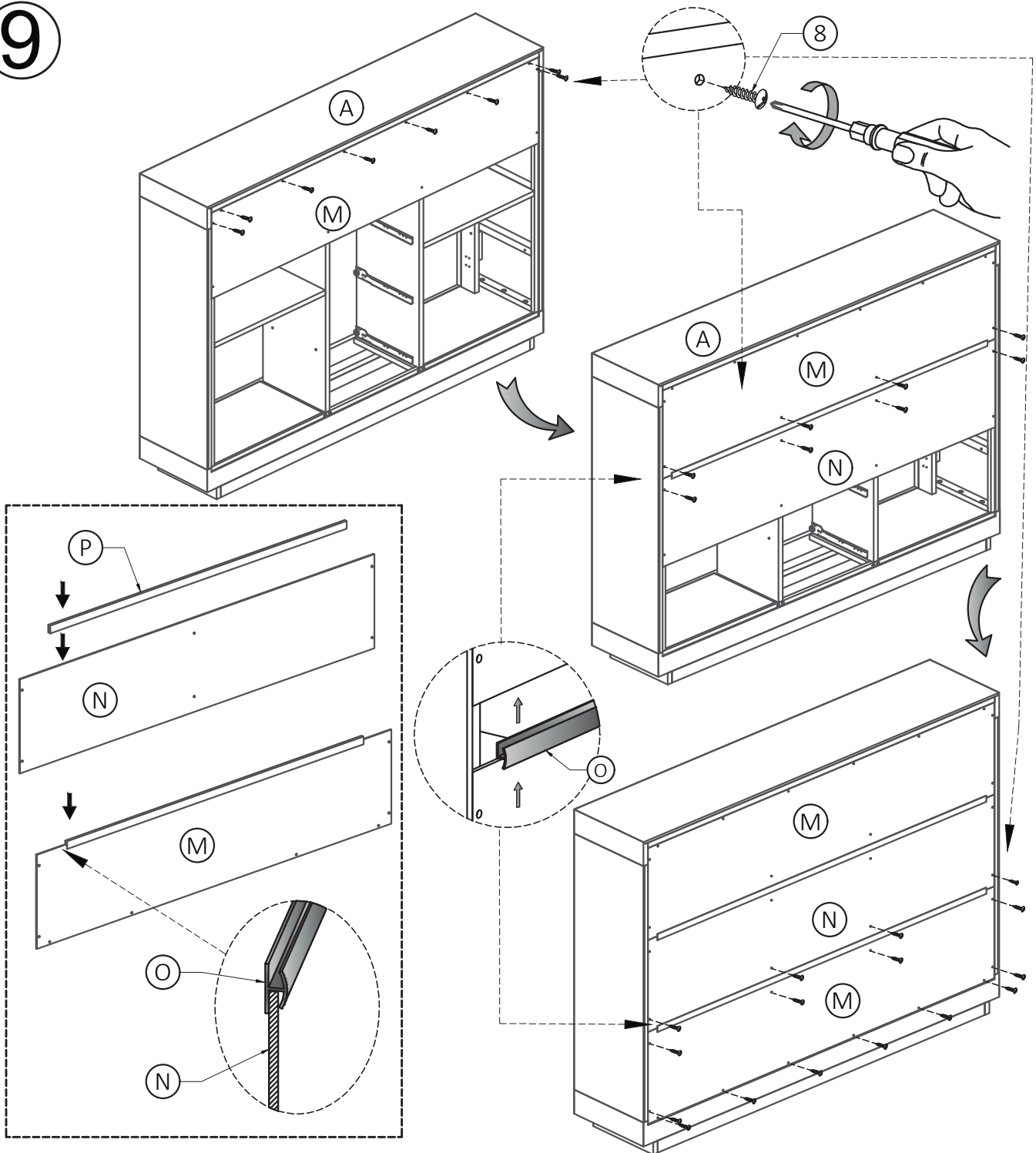


BANAK

SISAL

SI-0007

9

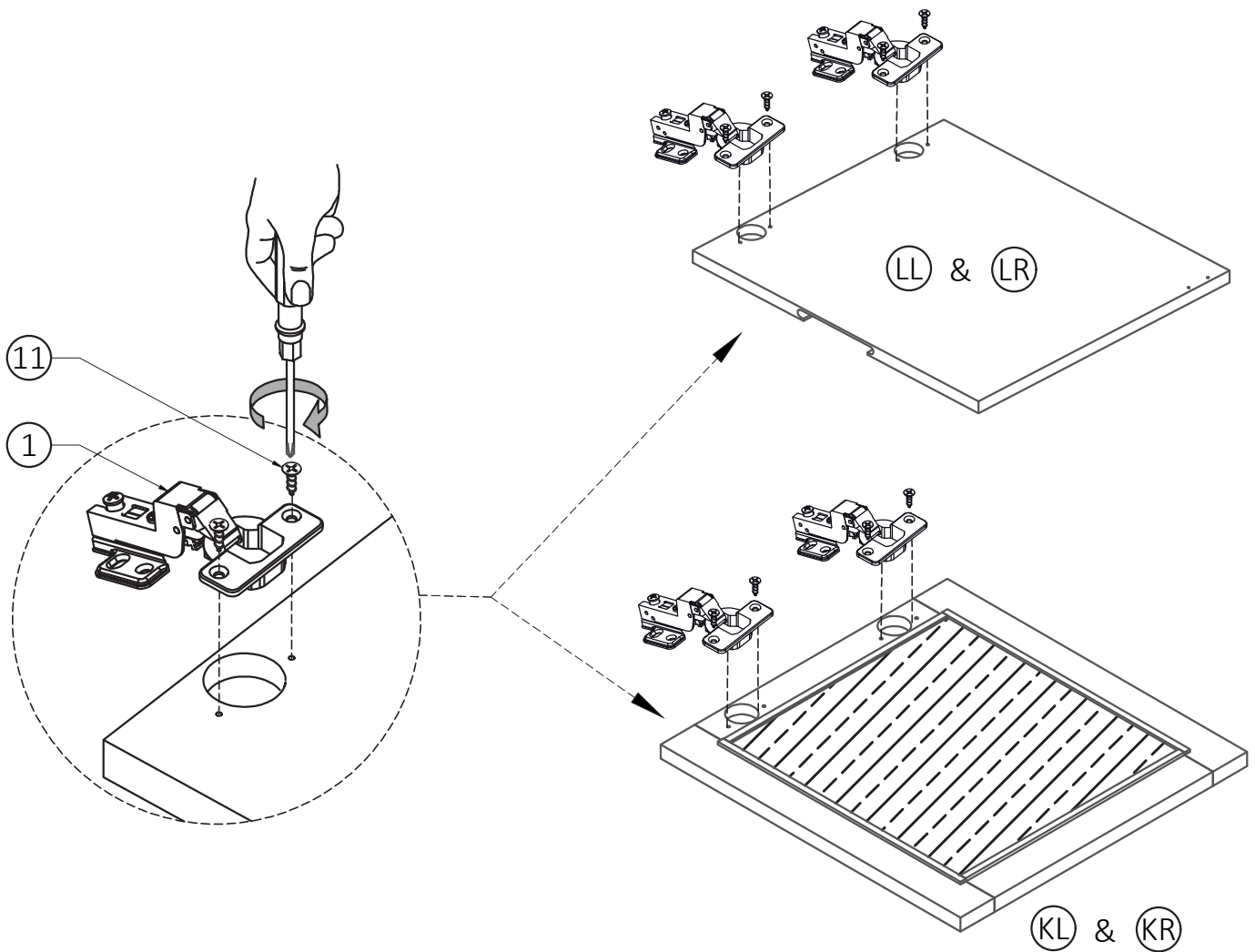


BANAK

SISAL

SI-0007

10

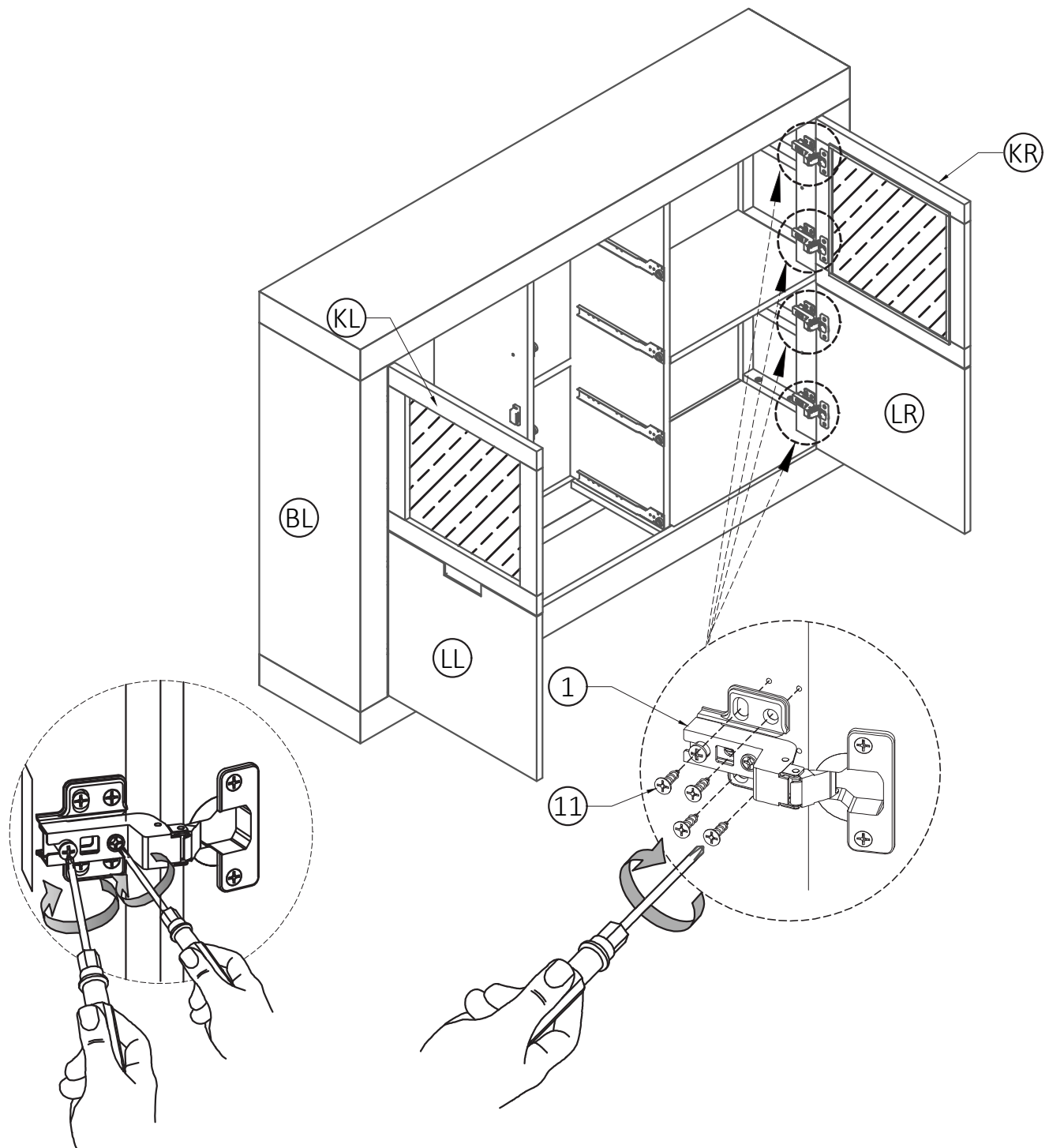


BANAK

SISAL

SI-0007

11

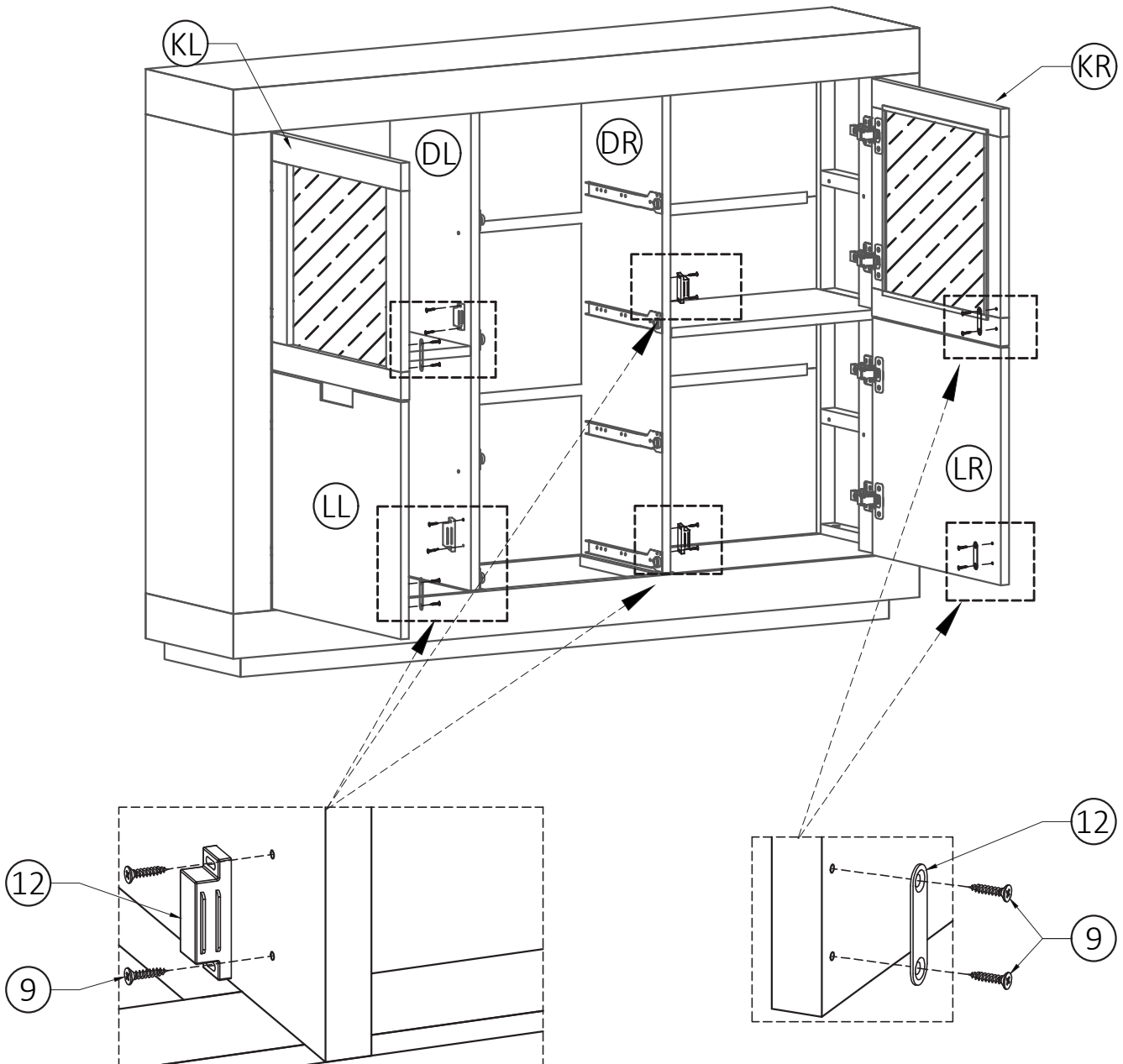


BANAK

SISAL

SI-0007

12

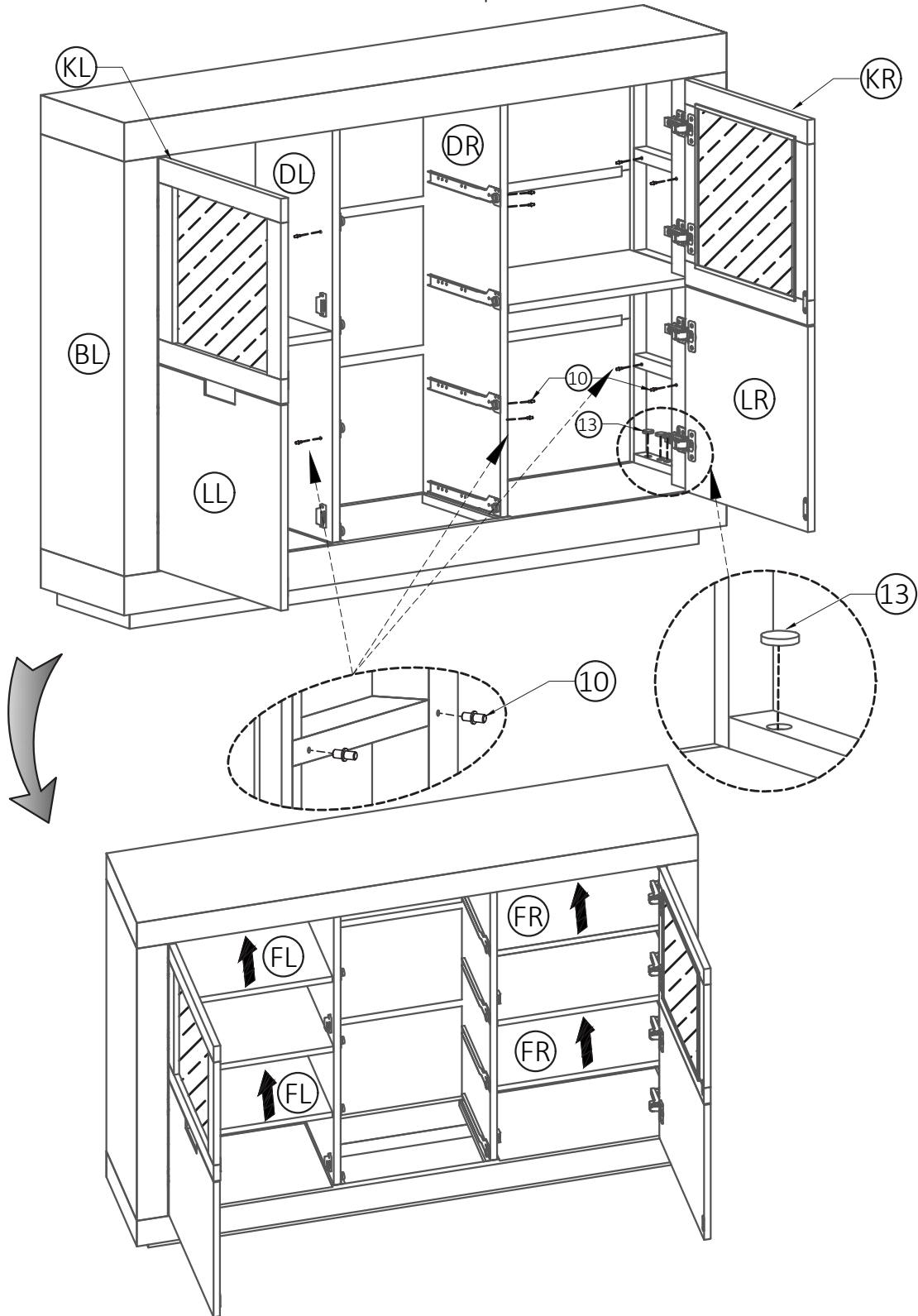


BANAK

SISAL

SI-0007

13

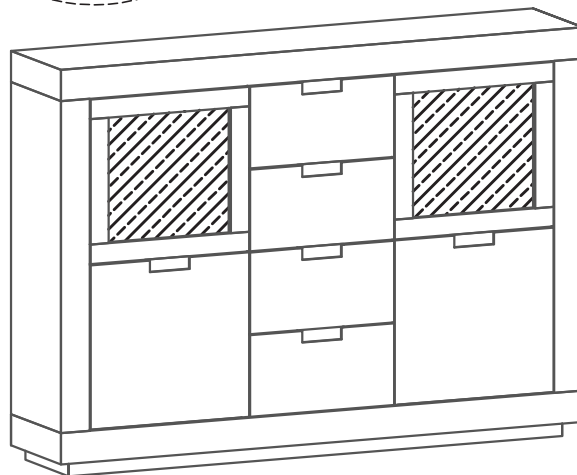
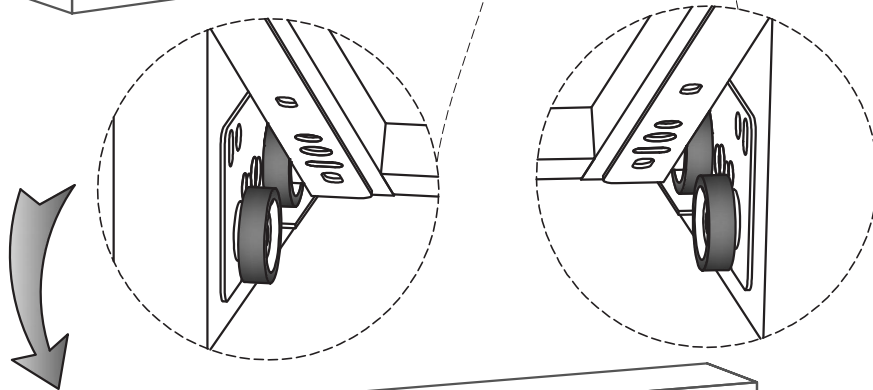
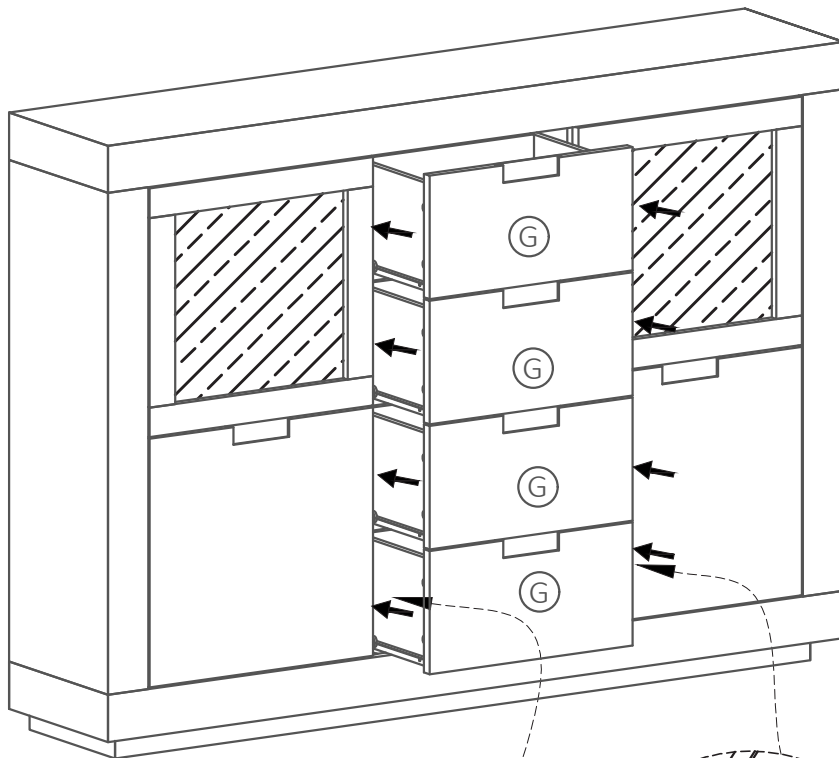


BANAK

SISAL

SI-0007

14



BANAK

SISAL

SI-0007

15

