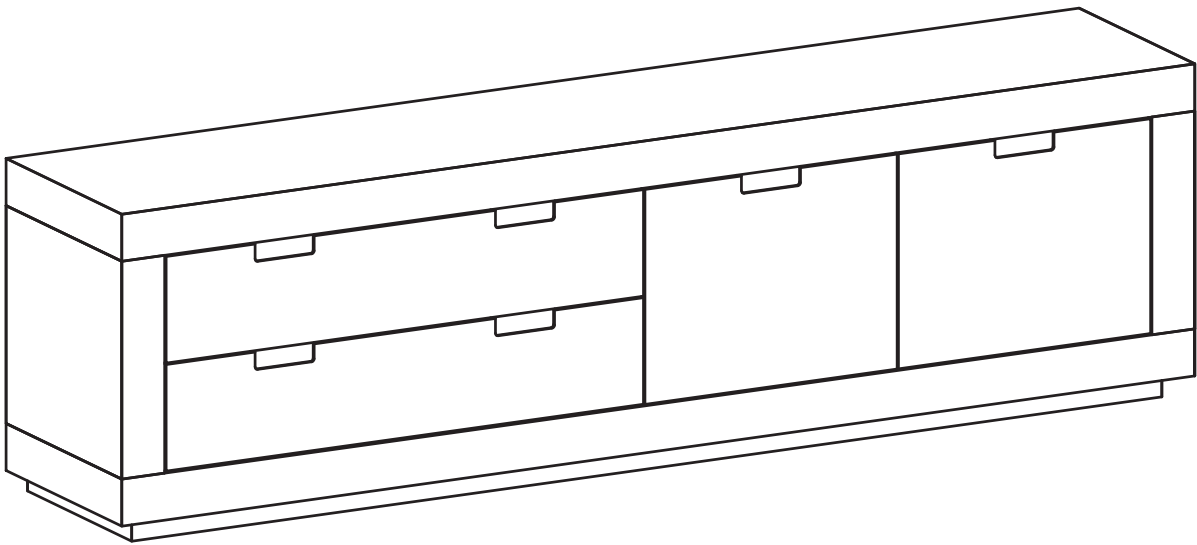


BANAK

SISAL

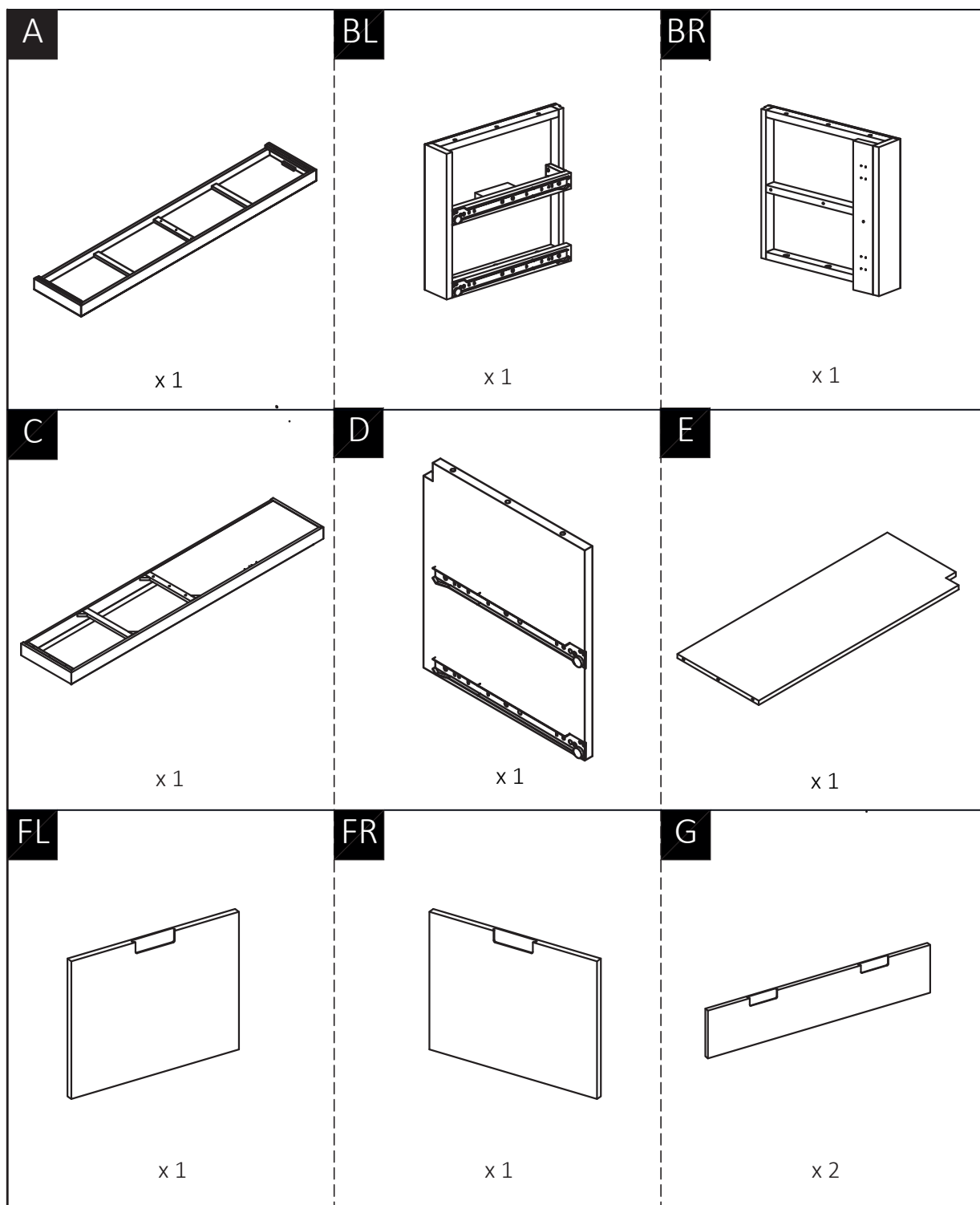
SI-0009BC-2



BANAK

SISAL

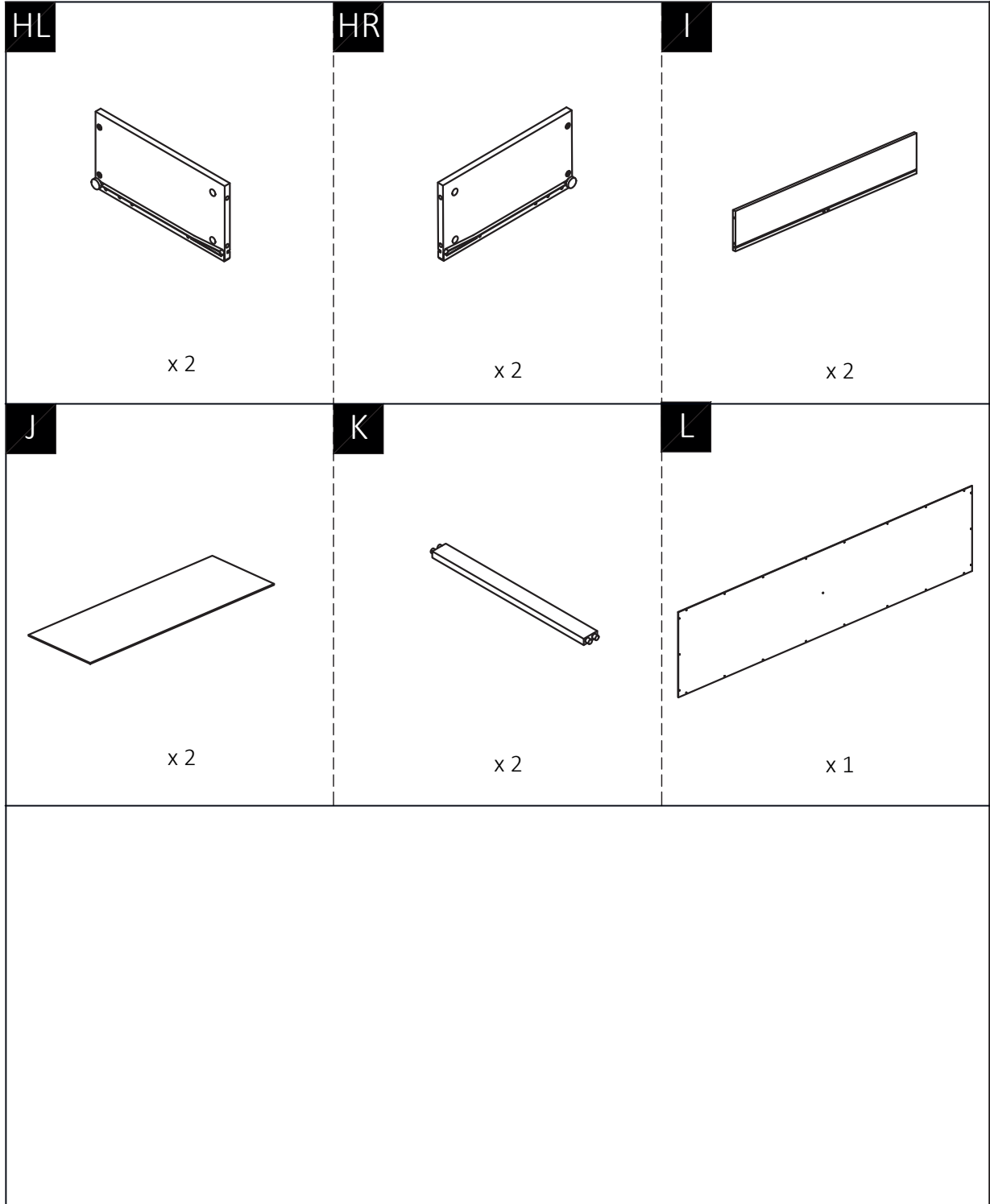
SI-0009BC-2



BANAK

SISAL


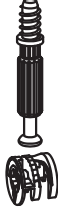
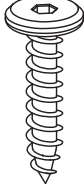
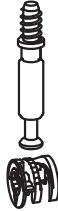


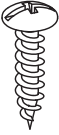
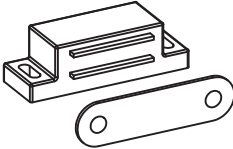

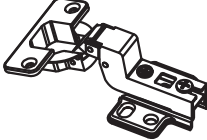
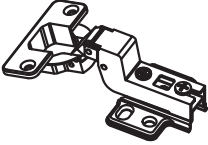

SI-0009BC-2



BANAK

SISAL

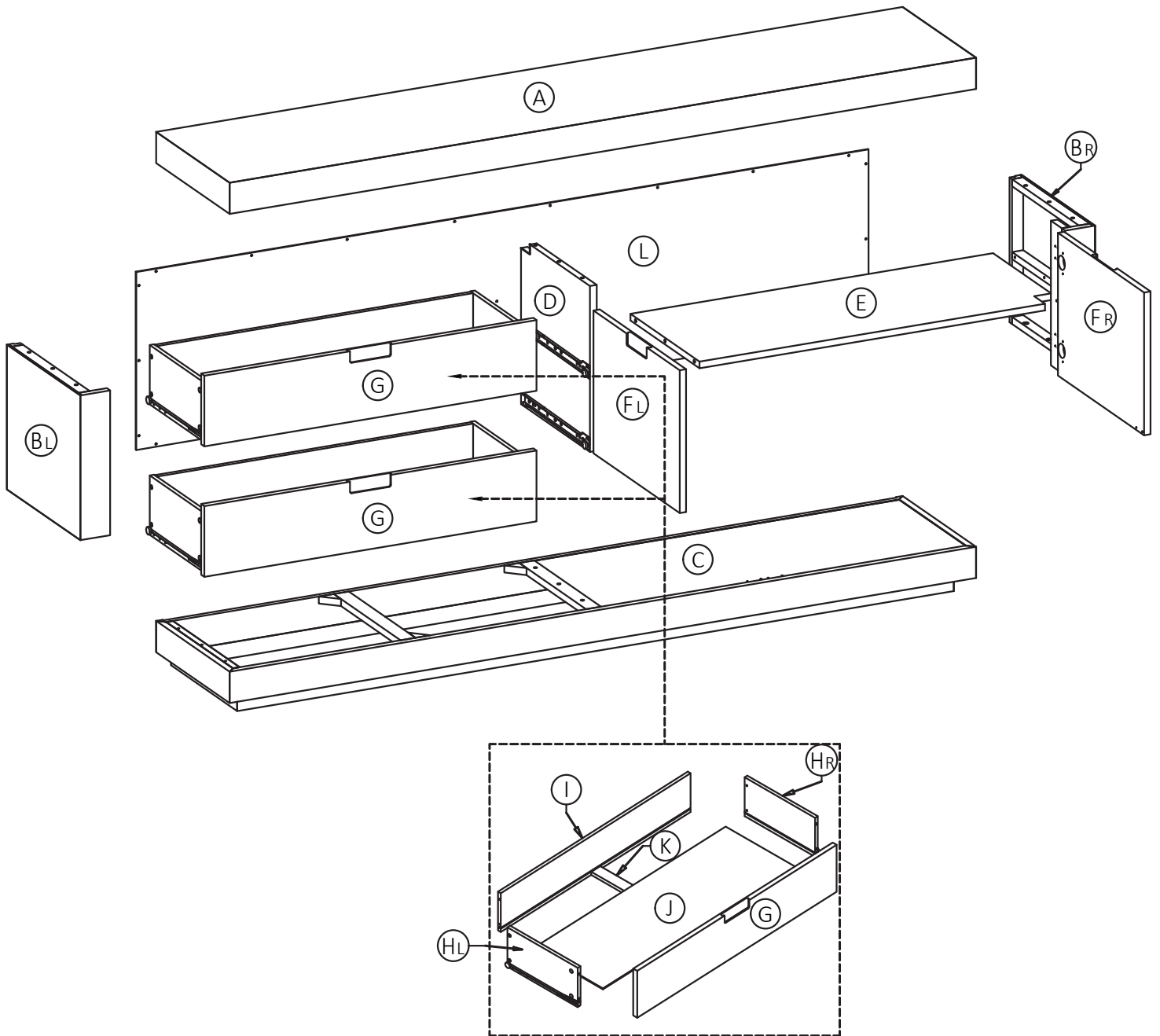
SI-0009BC-2

<p>1</p>  <p>x 1</p>	<p>2</p>  <p>Ø15x10 x 9</p>	<p>3</p>  <p>M6 X 30mm x 15</p>	<p>4</p>  <p>Ø12x10 x 8</p>
<p>5</p>  <p>M4 X 30mm x 8</p>	<p>6</p>  <p>M8 X 8mm x 8</p>	<p>7</p>  <p>M4 X 15mm x 23</p>	<p>8</p>  <p>x 2</p>
<p>9</p>  <p>M3 X 15mm x 8</p>	<p>10</p>  <p>AA x 2</p>	<p>11</p>  <p>AC x 2</p>	<p>12</p>  <p>M4 X 15mm x 24</p>

BANAK

SISAL

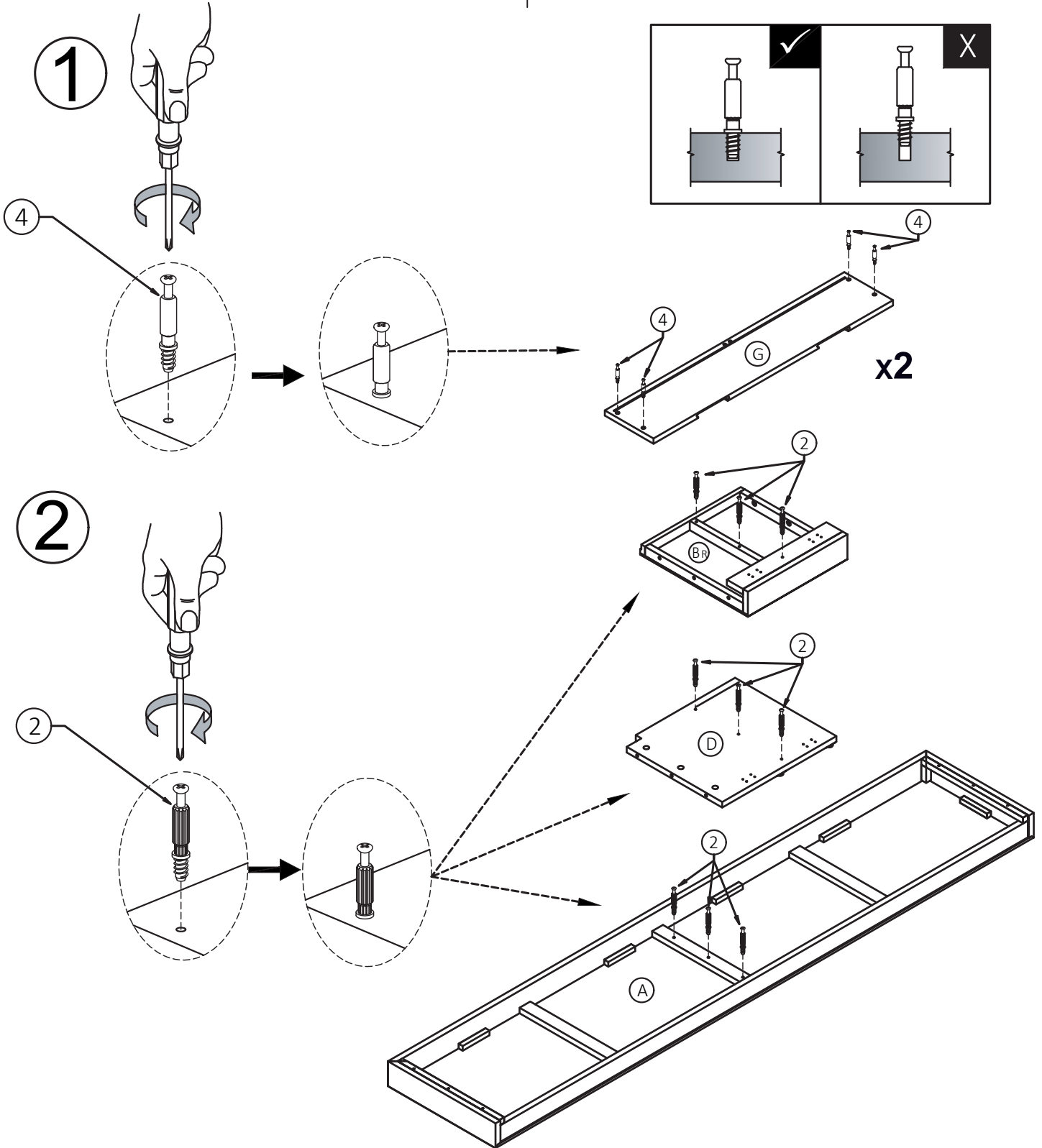
SI-0009BC-2



BANAK

SISAL

SI-0009BC-2

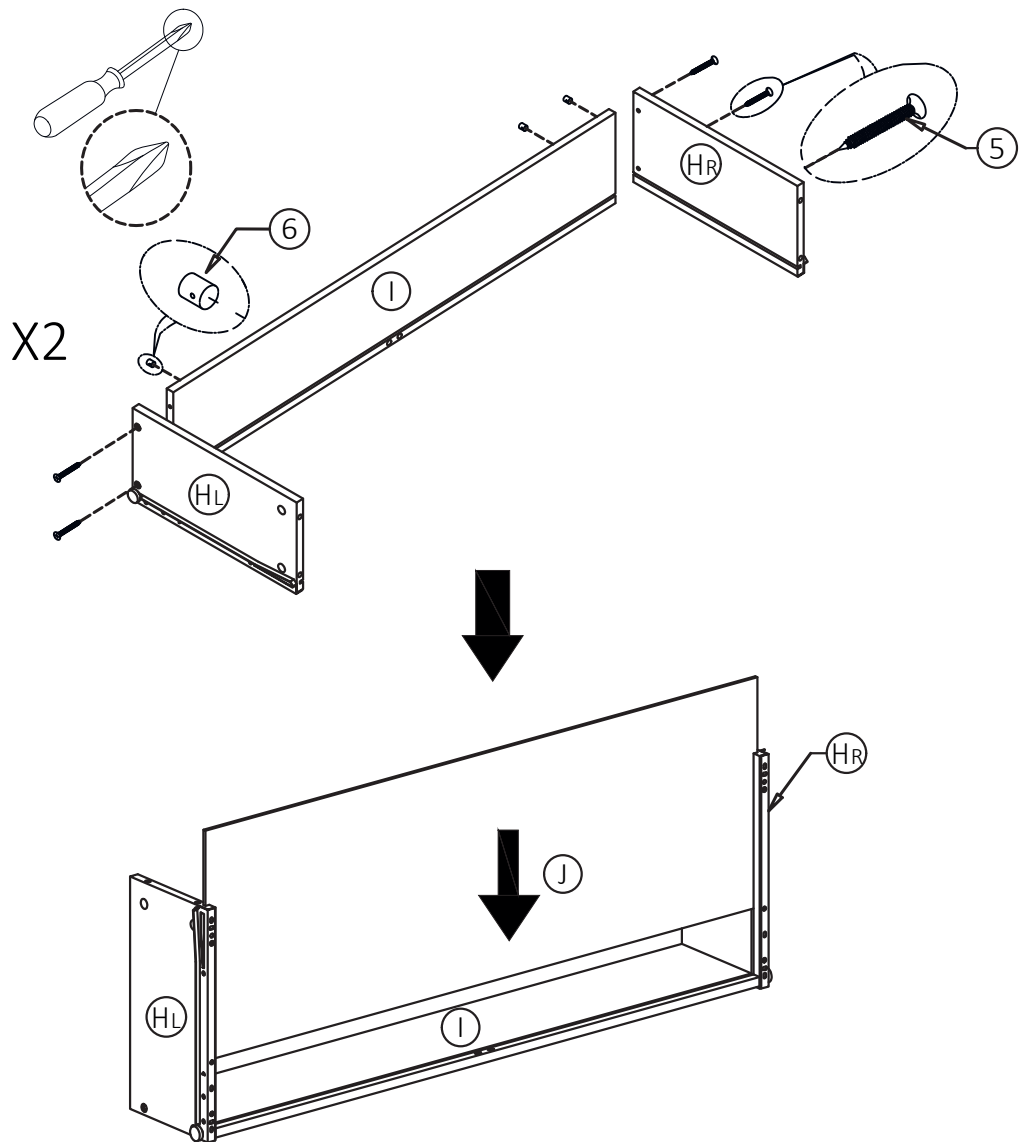


BANAK

SISAL

SI-0009BC-2

3



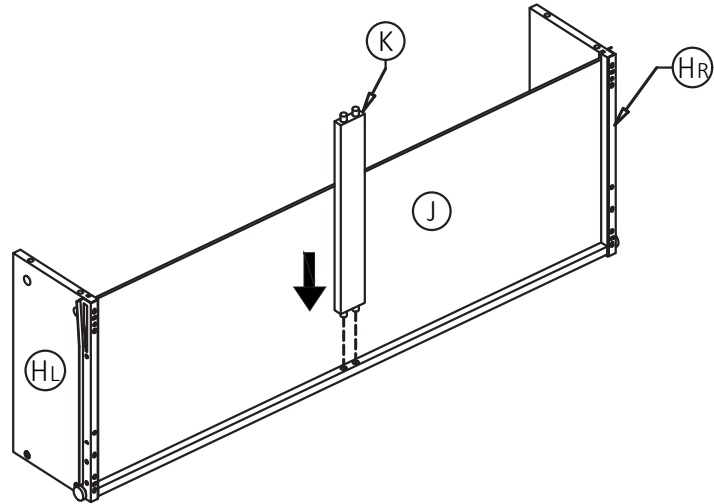
BANAK

SISAL

SI-0009BC-2

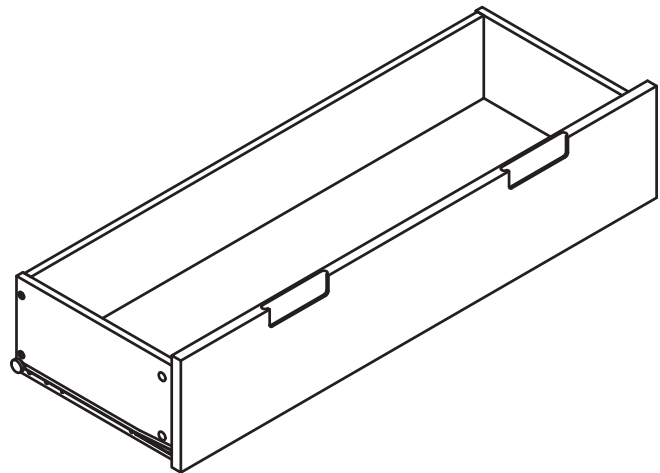
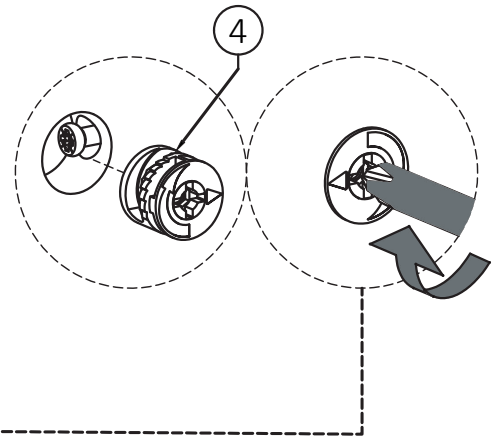
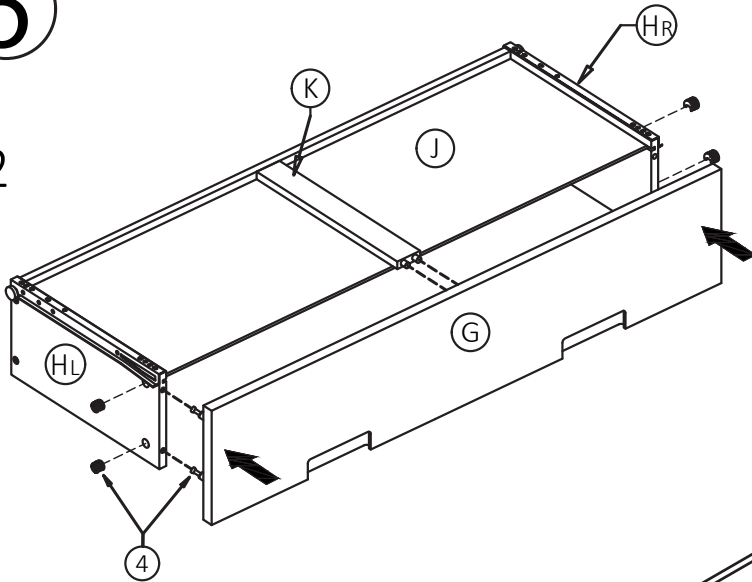
4

X2



5

X2

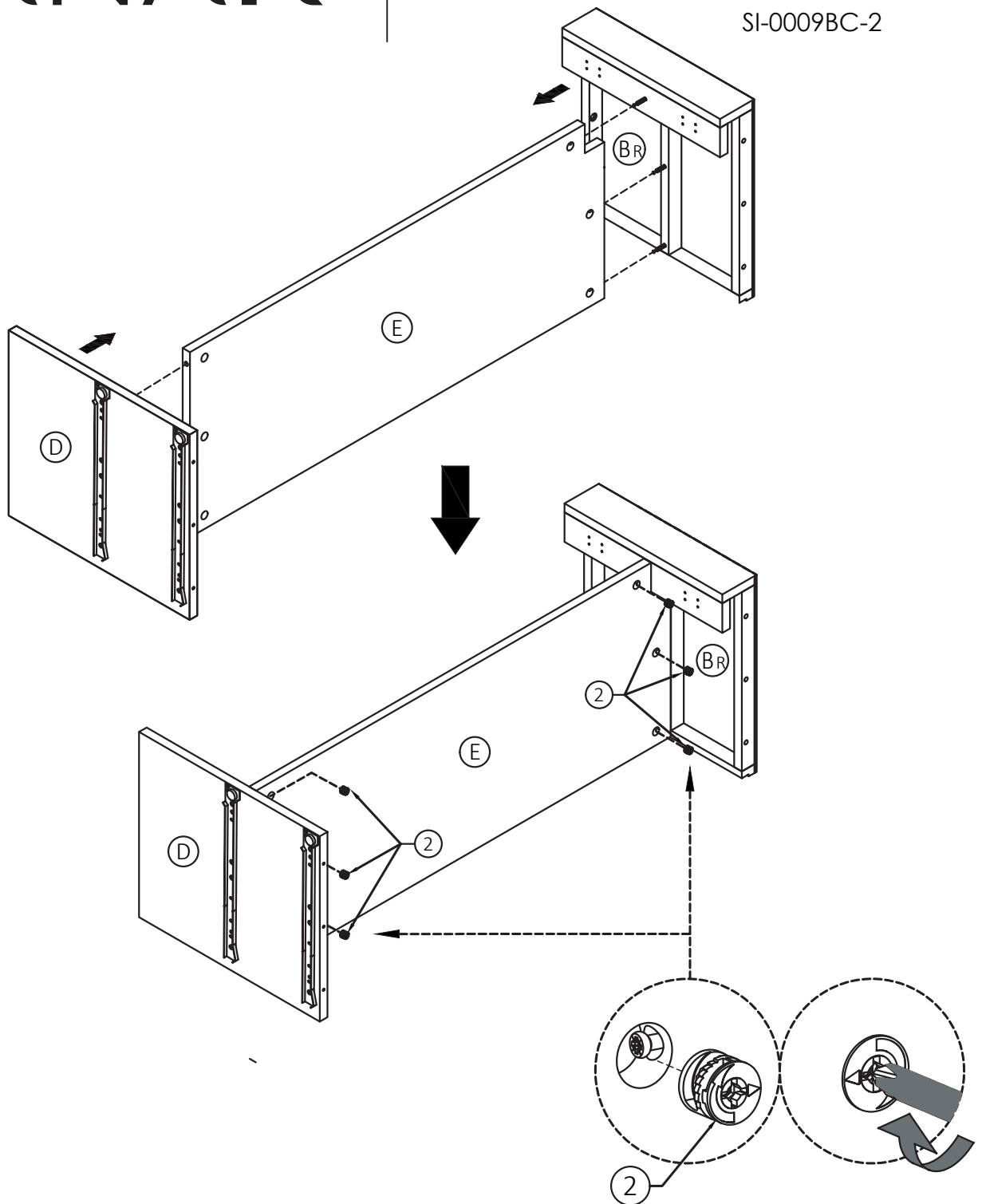


BANAK

SISAL

SI-0009BC-2

6

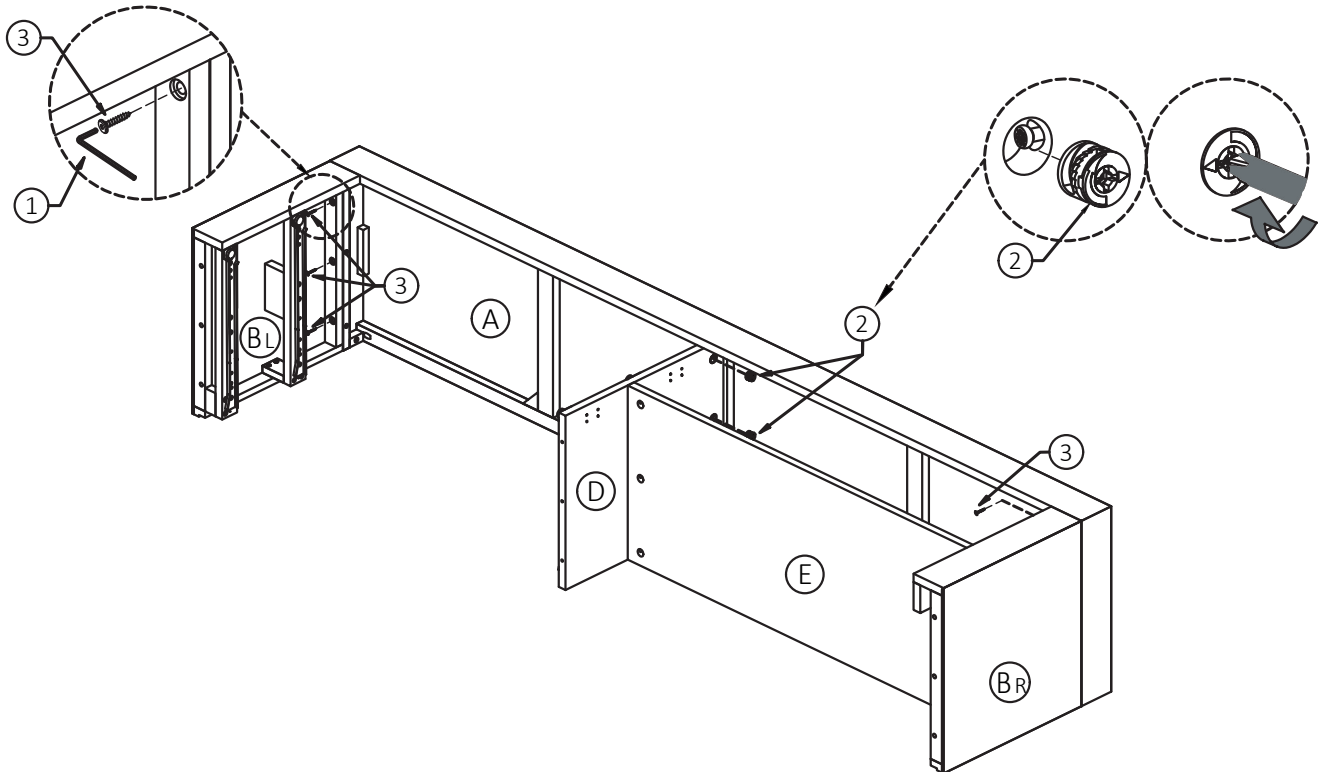
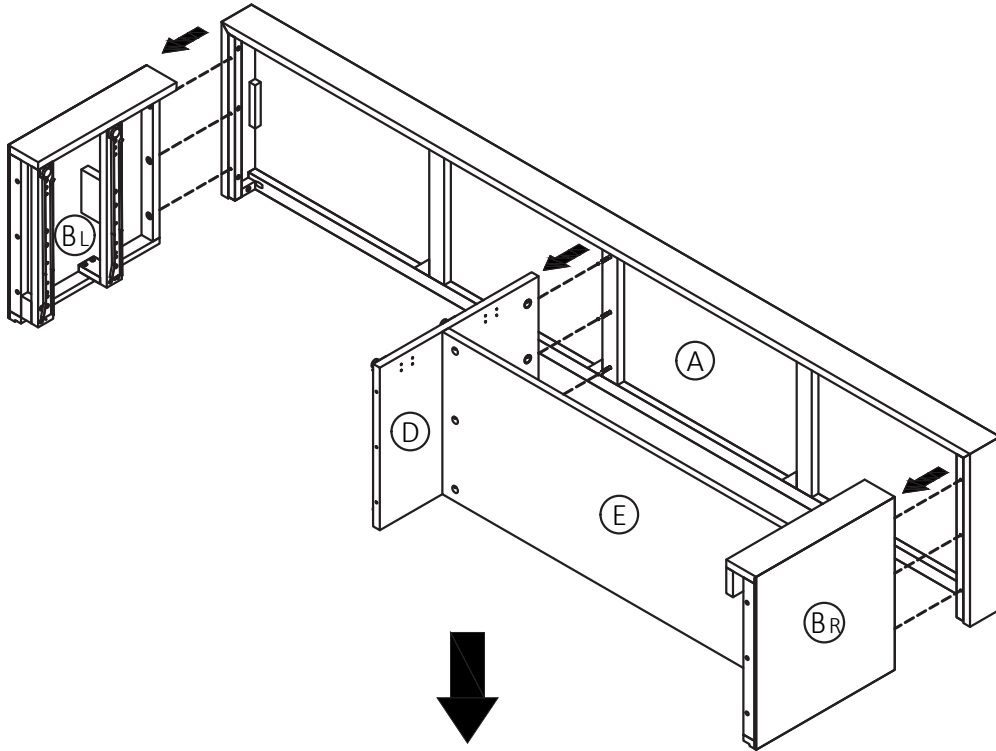


BANAK

SISAL

SI-0009BC-2

7

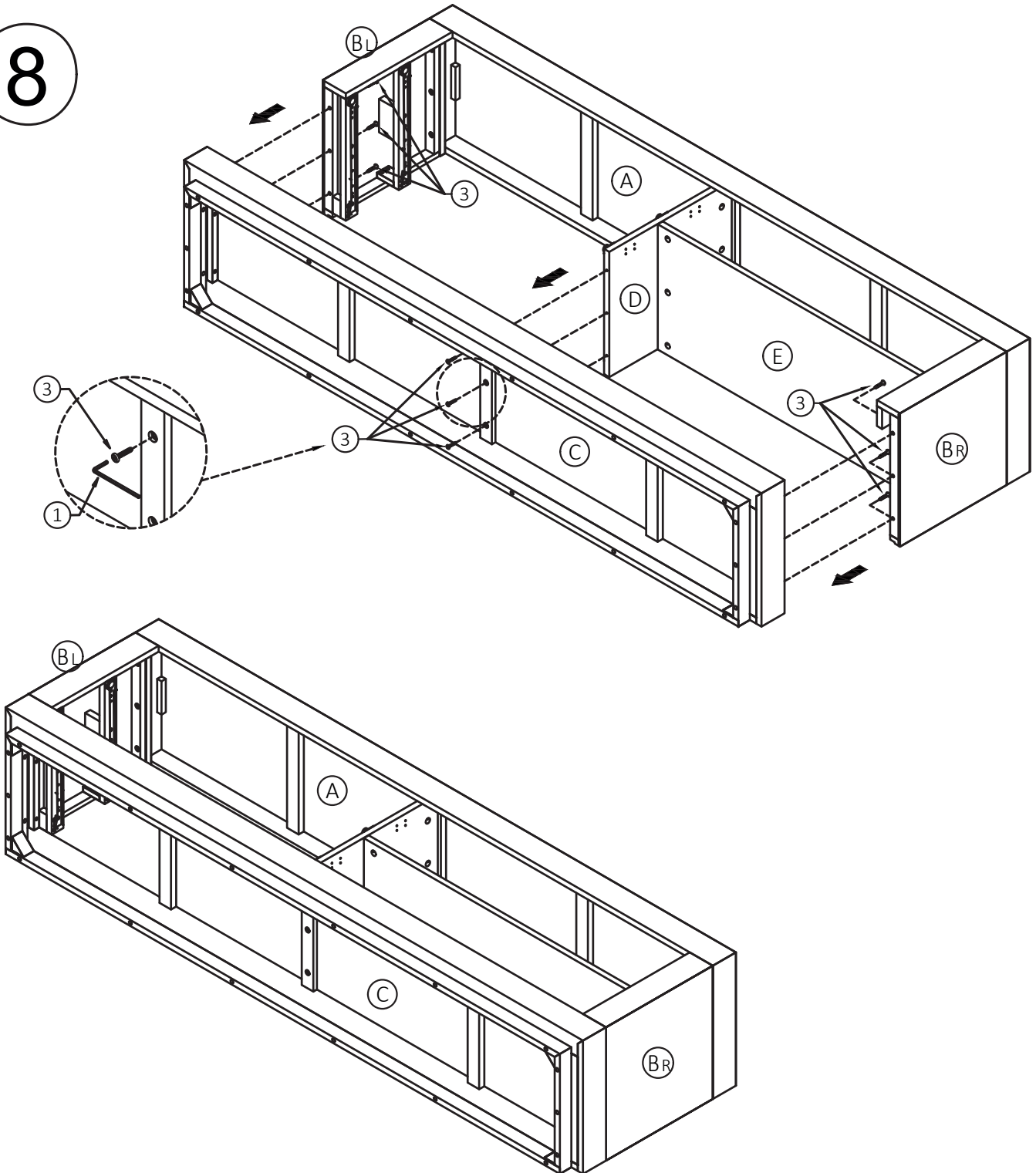


BANAK

SISAL

SI-0009BC-2

8

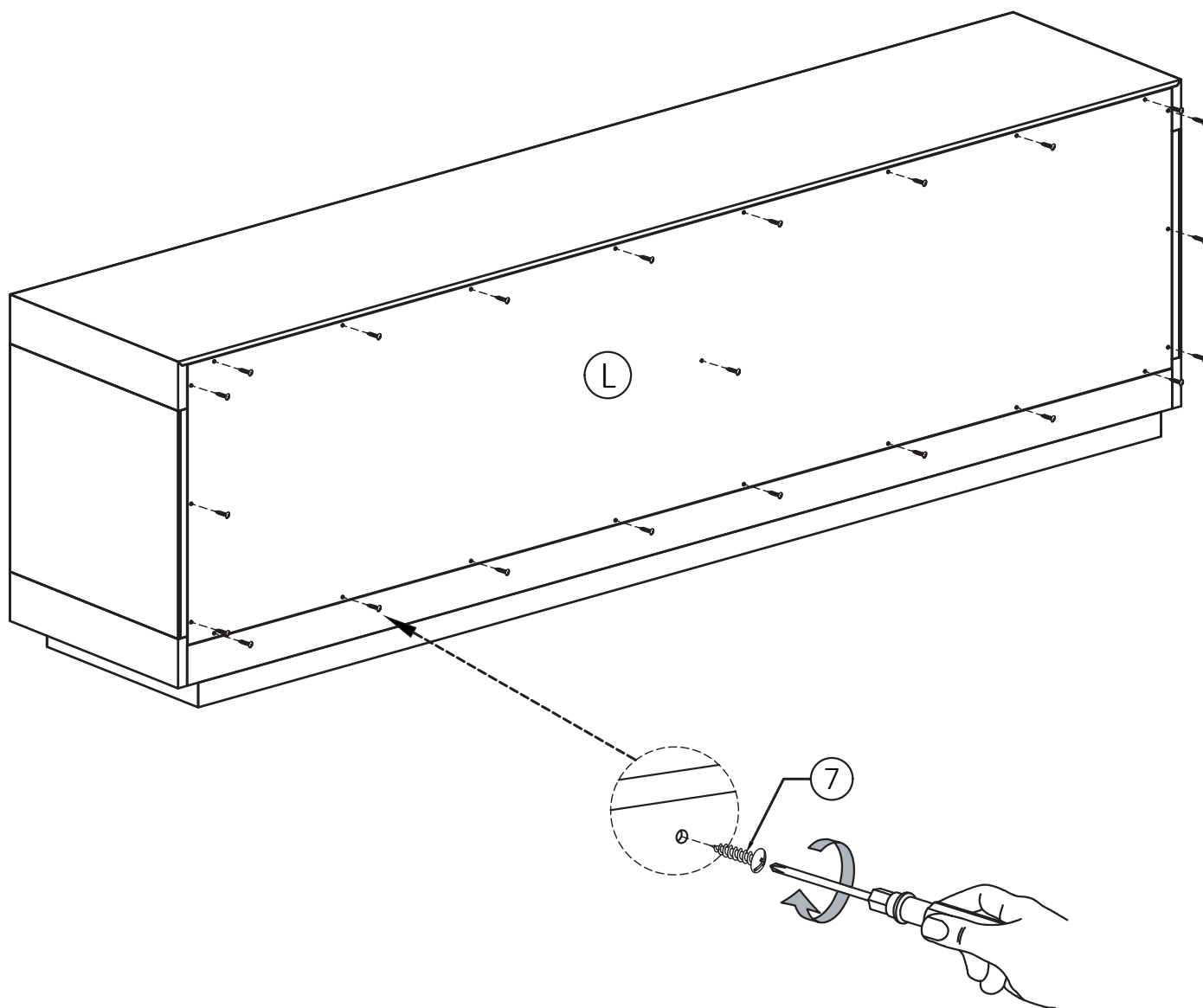


BANAK

SISAL

SI-0009BC-2

9

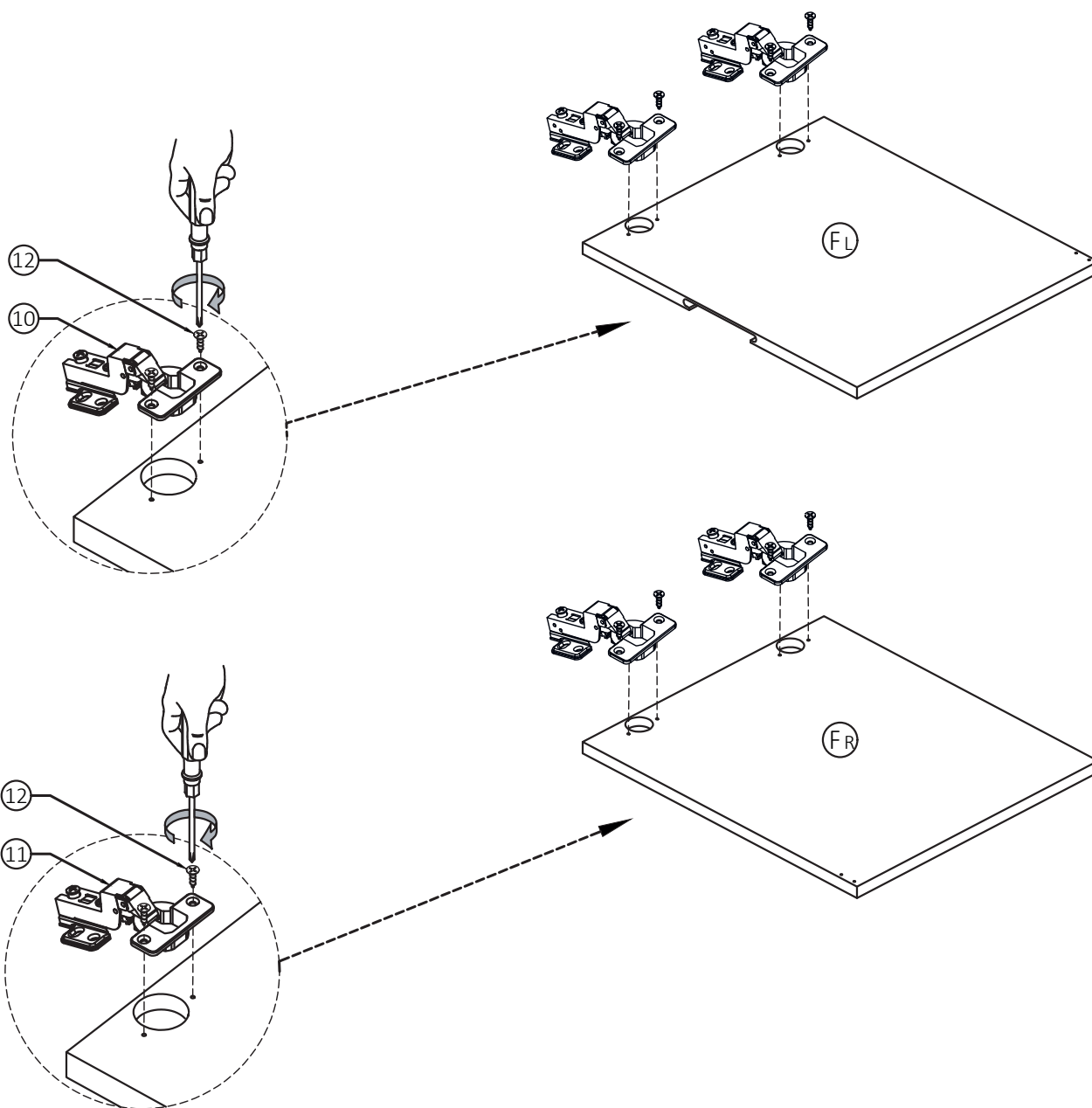


BANAK

SISAL

SI-0009BC-2

10

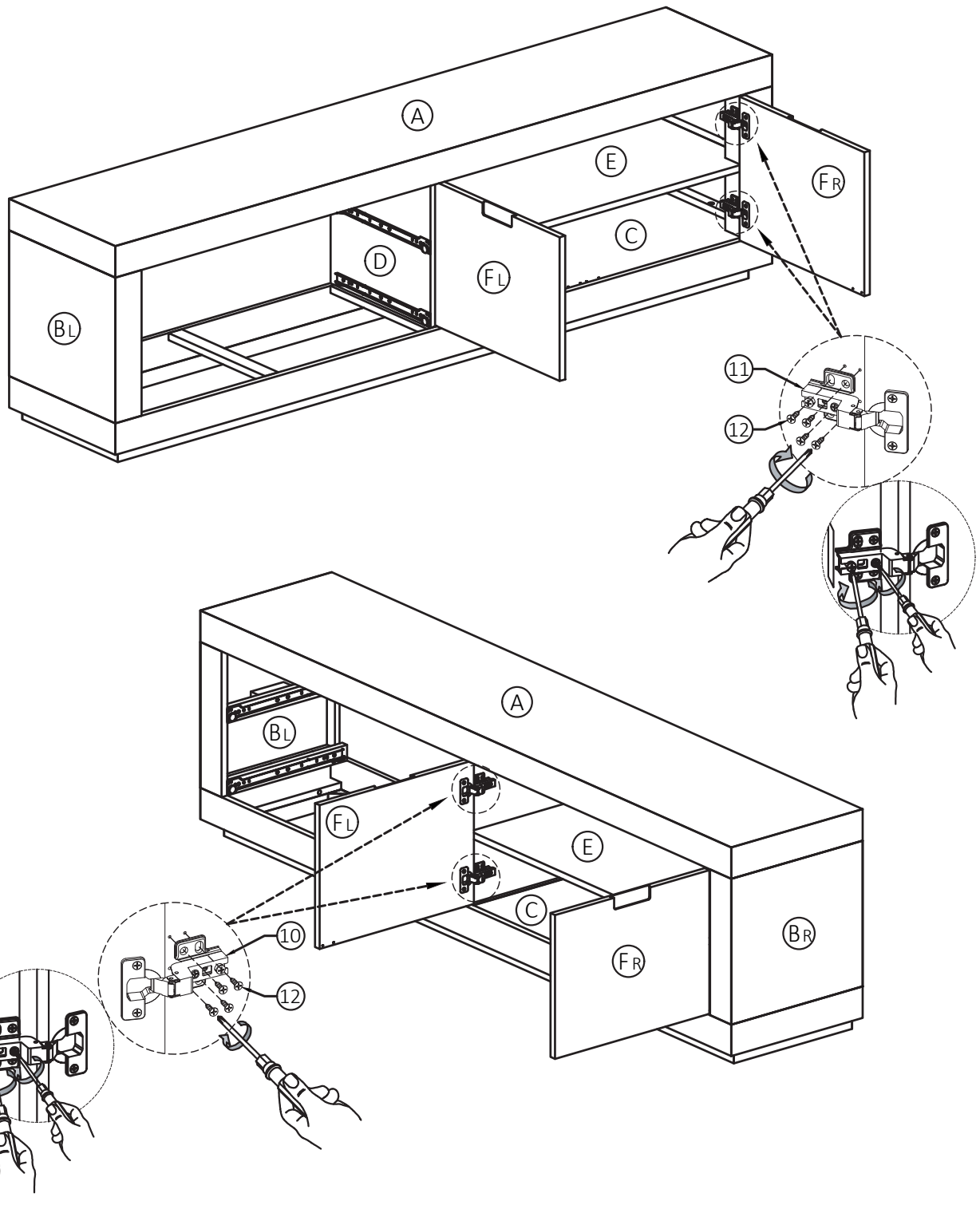


BANAK

SISAL

SI-0009BC-2

11

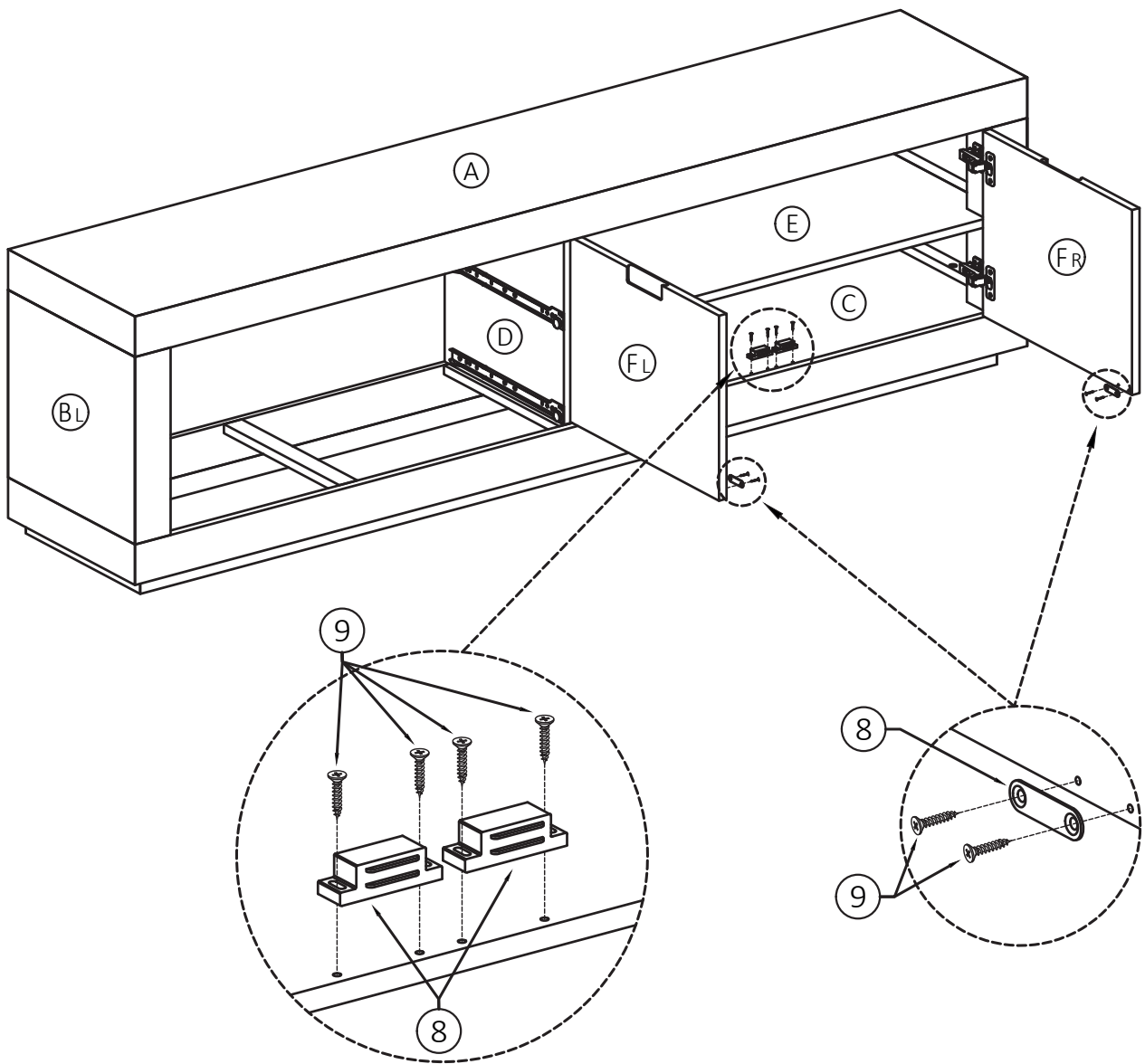


BANAK

SISAL

SI-0009BC-2

12



BANAK

SISAL

SI-0009BC-2

13

