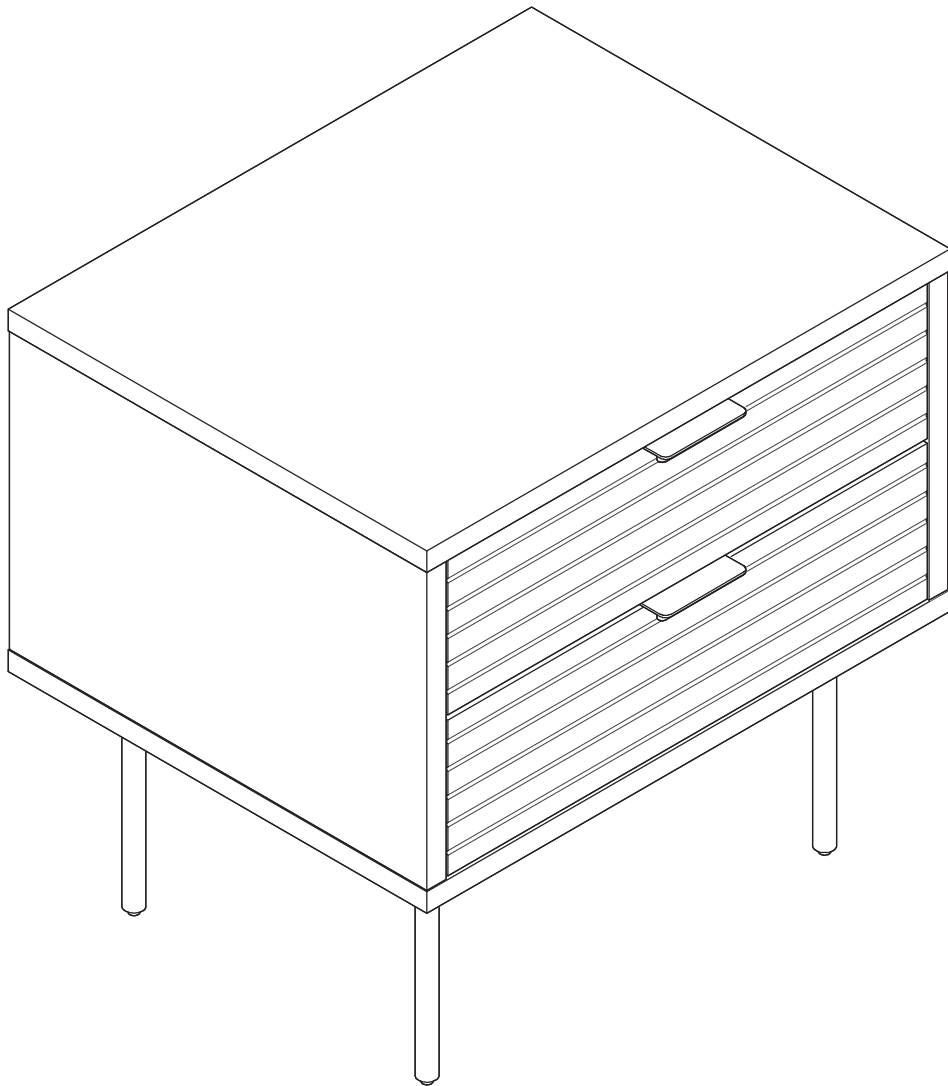


# BANAK

# SHIRO

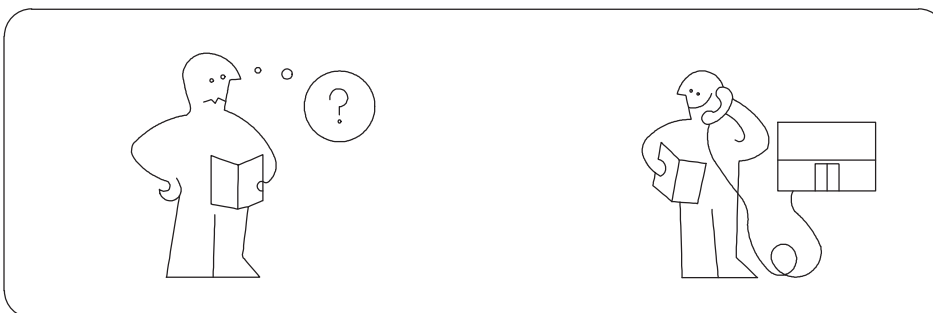
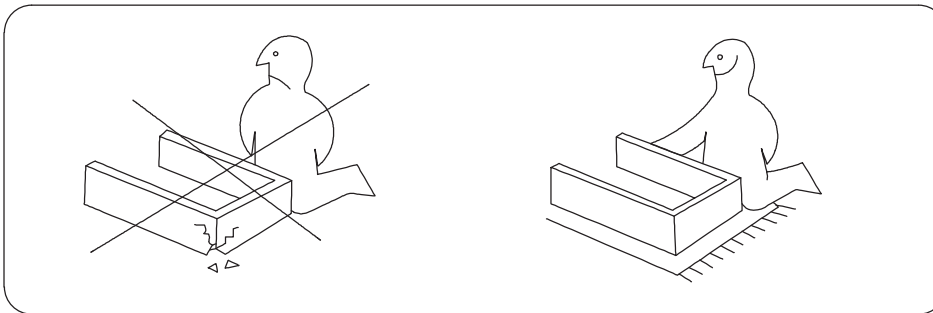
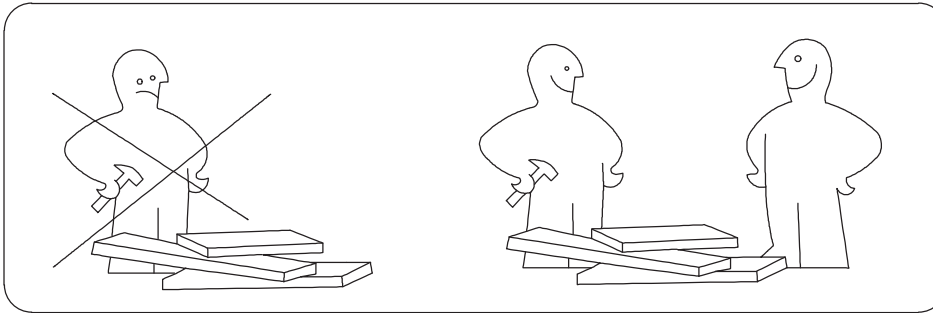
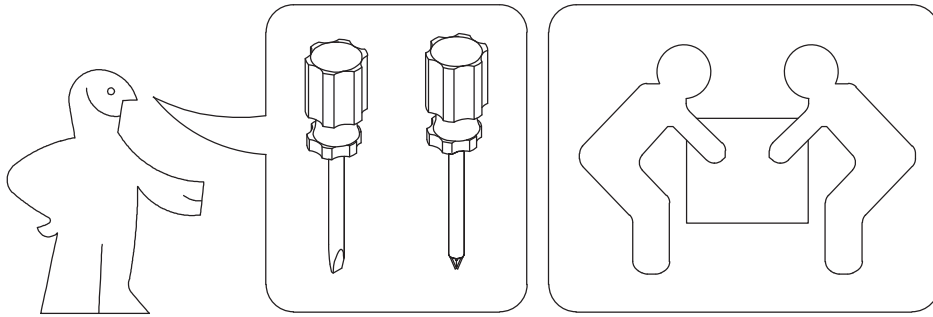
SO-0115BC-R



# BANAK

# SHIRO

SO-0115BC-R



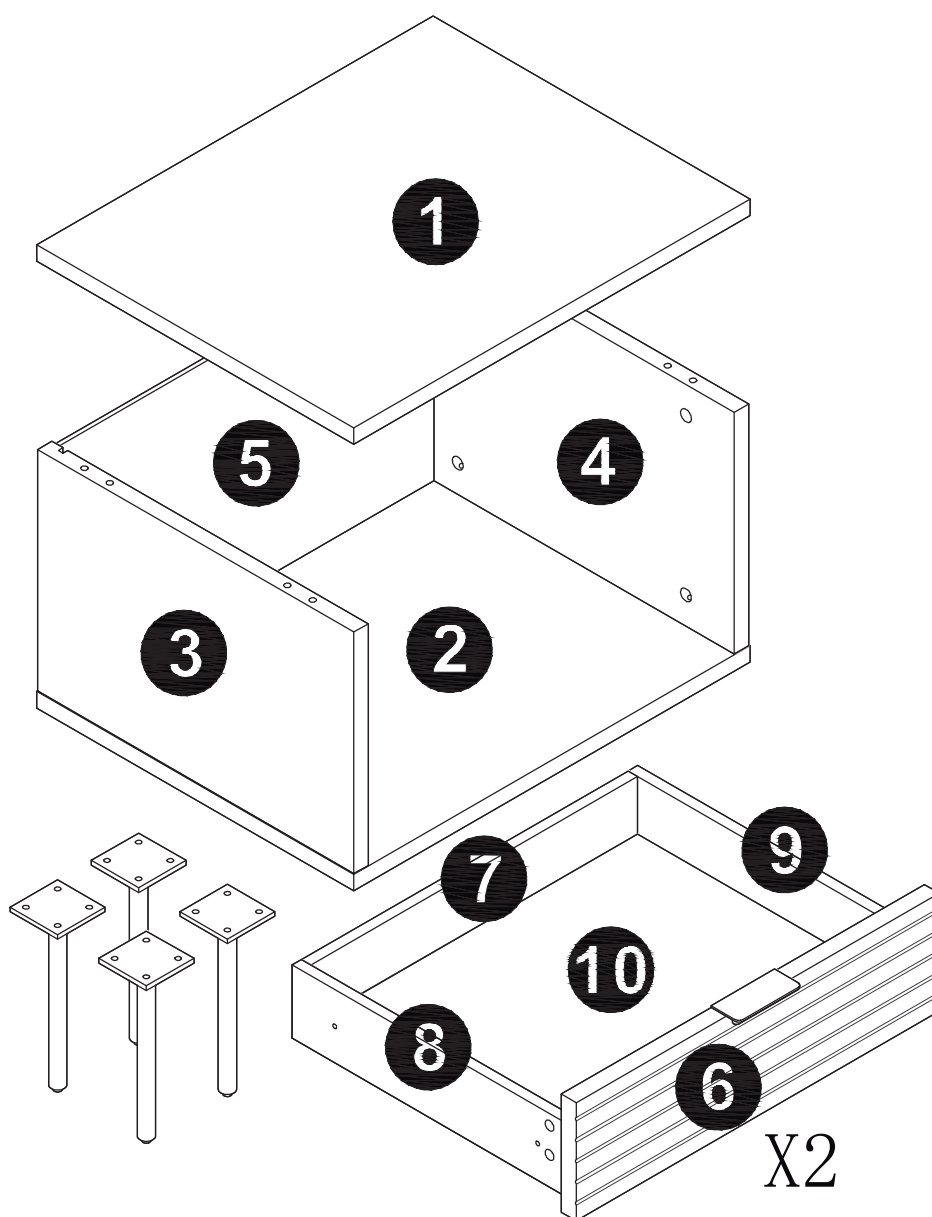
# BANAK

# SHIRO

SO-0115BC-R

1	500x400x16	x1
2	500x400x16	x1
3	268x399x16	x1
4	268x399x16	x1
5	476x278x5	x1

6	462x129x18	x2
7	416x80x12	x2
8	350x80x12	x2
9	350x80x12	x2
10	426x348x5	x2



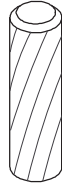
# BANAK

# SHIRO

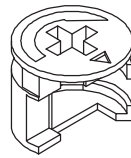
SO-0115BC-R



A=8



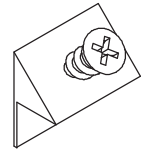
B=8



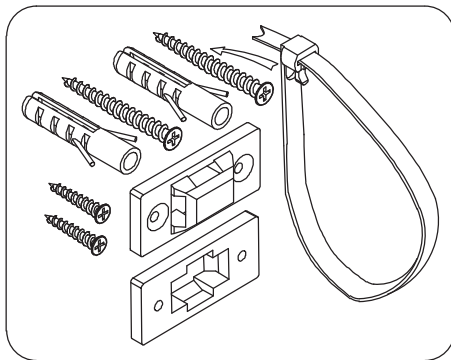
C=8



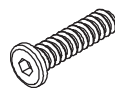
D=24



E=4



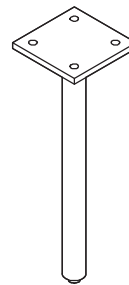
F=1



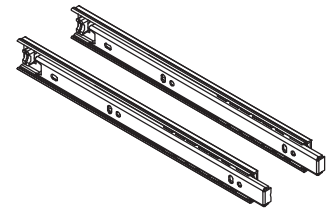
M6\*16  
G=16



H=1



J=4



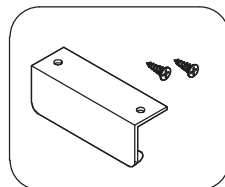
N=2



O=16



P=16



U=2



M3. 5\*12

V1=16



Z1=16



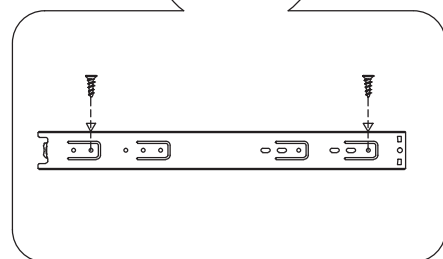
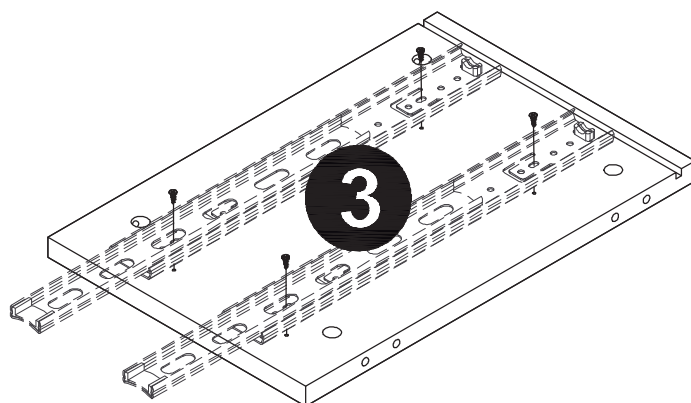
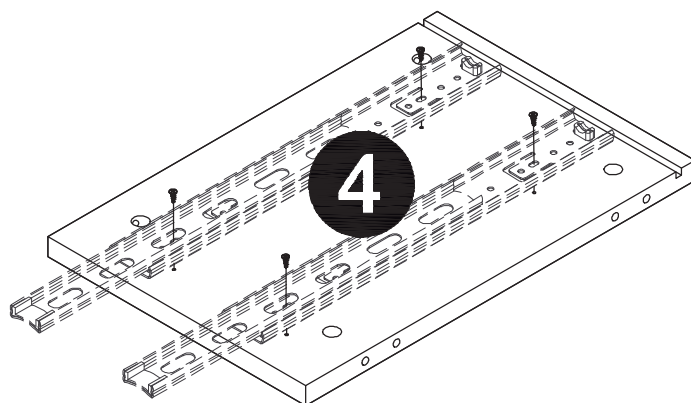
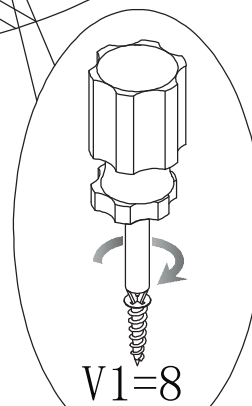
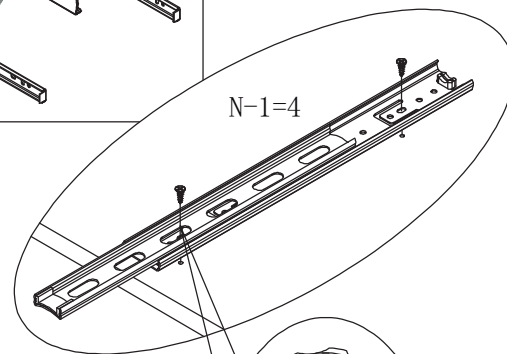
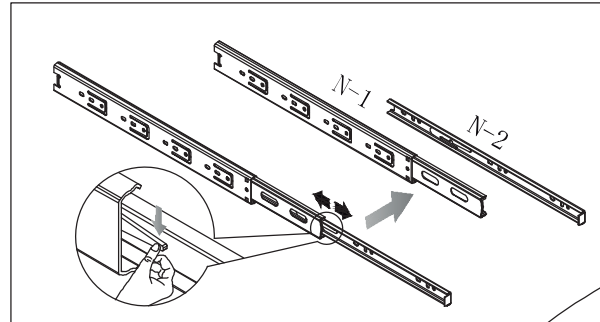
Z2=16

# BANAK

# SHIRO

SO-0115BC-R

1

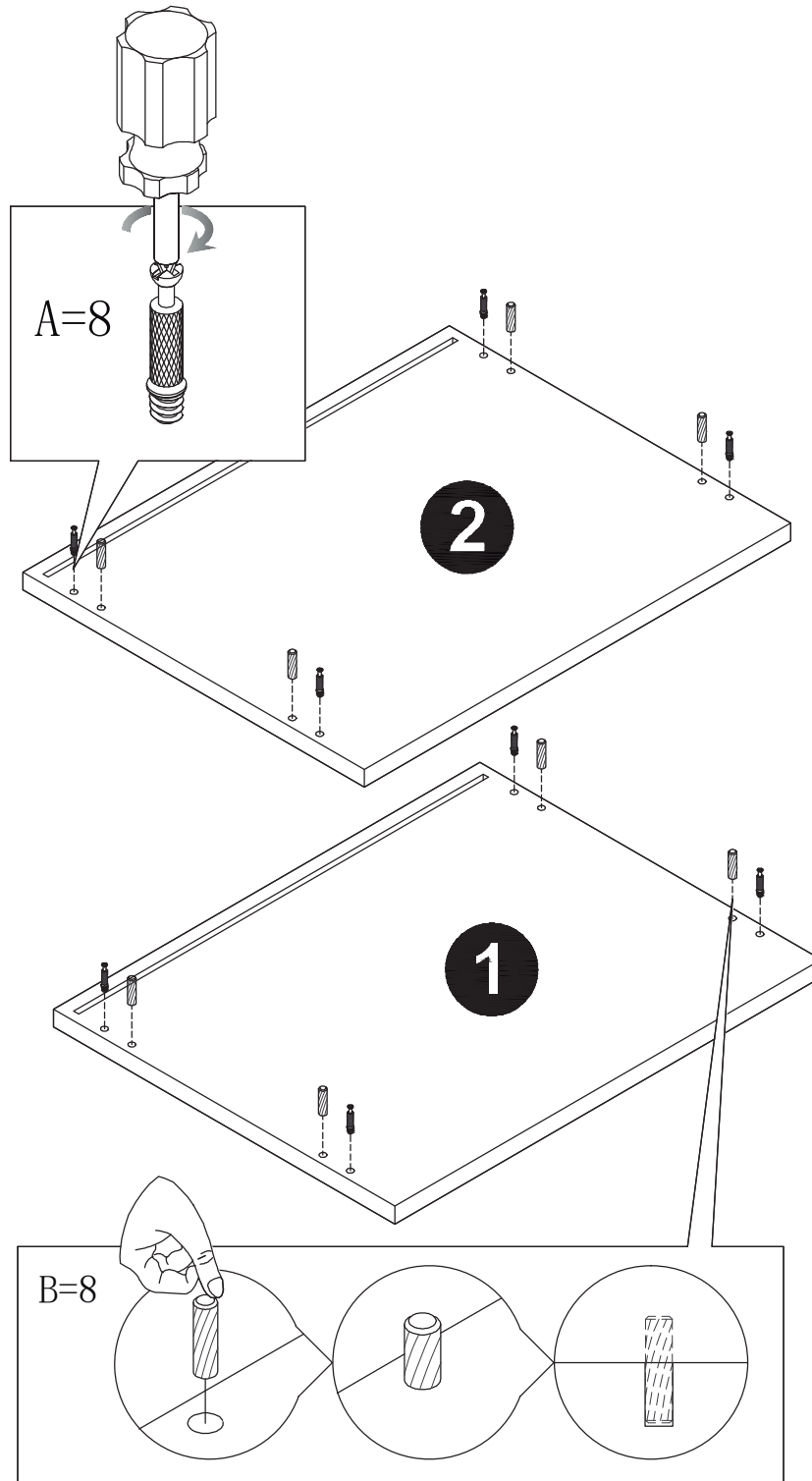


# BANAK

# SHIRO

SO-0115BC-R

②

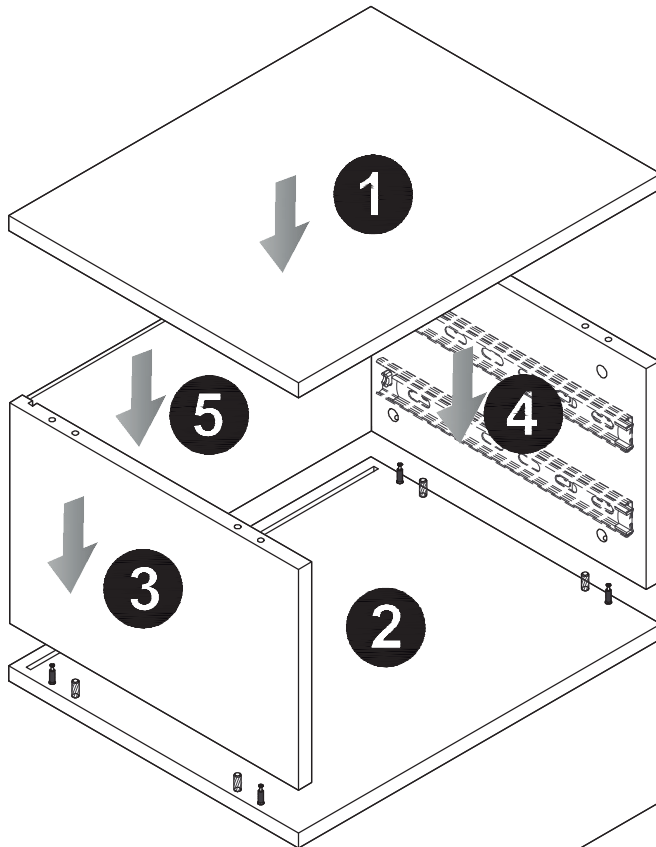


# BANAK

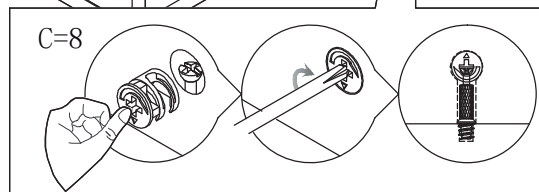
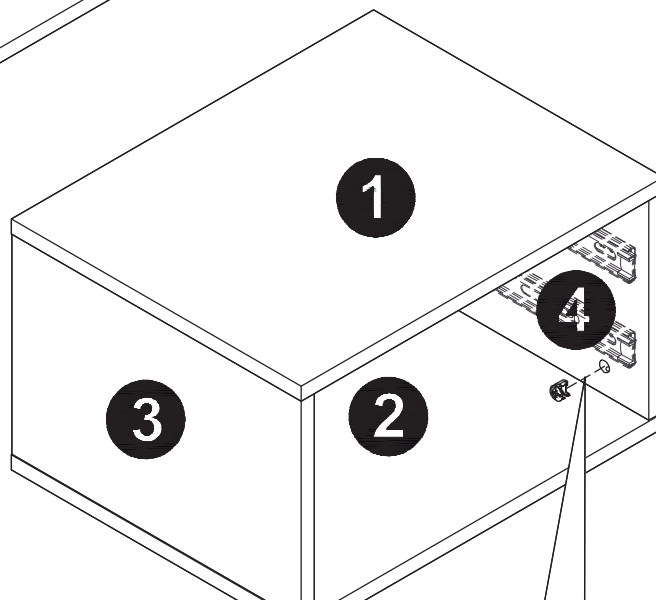
# SHIRO

SO-0115BC-R

3



4

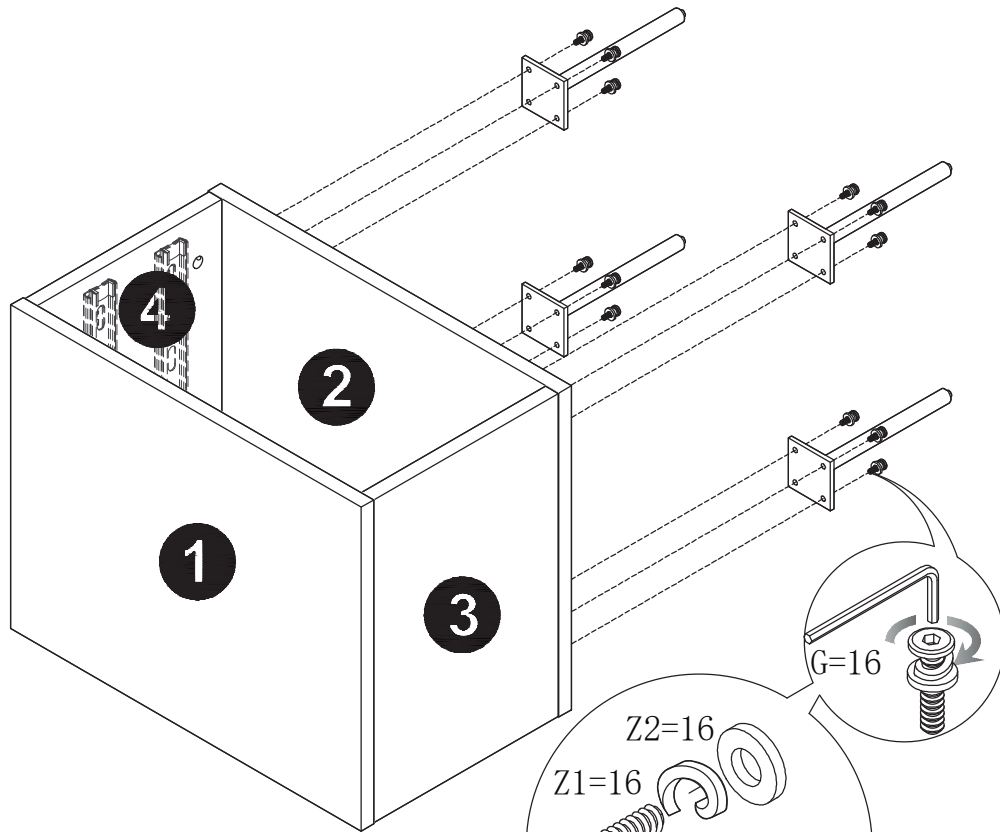


# BANAK

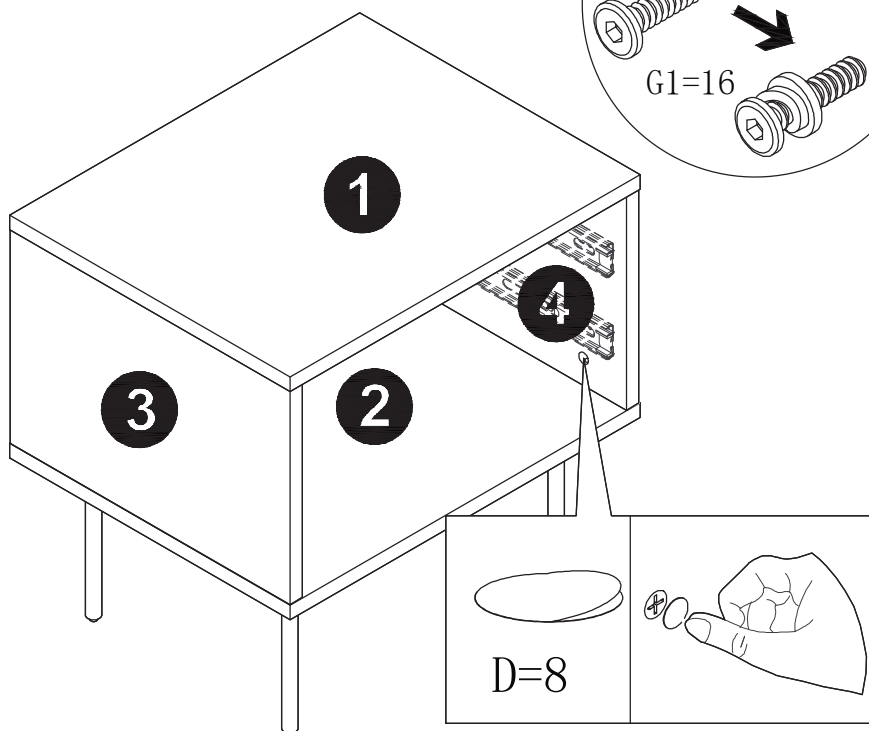
# SHIRO

SO-0115BC-R

5



6



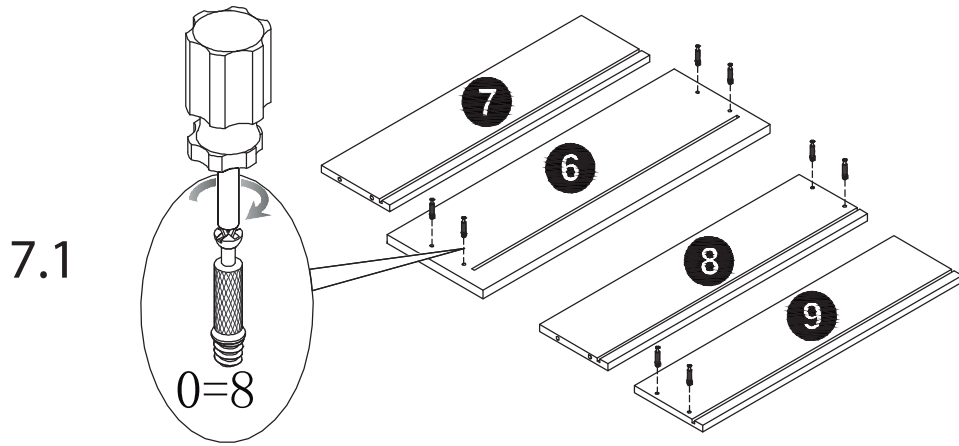


# BANAK

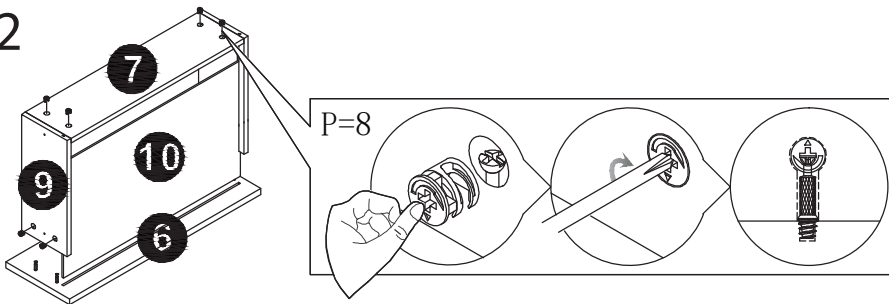
# SHIRO

SO-0115BC-R

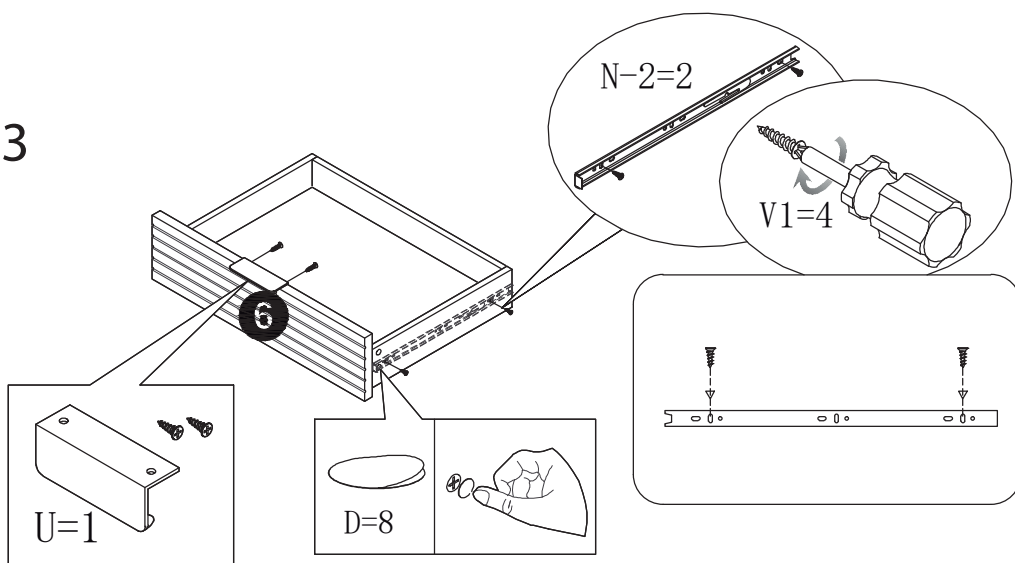
7



7.2



7.3



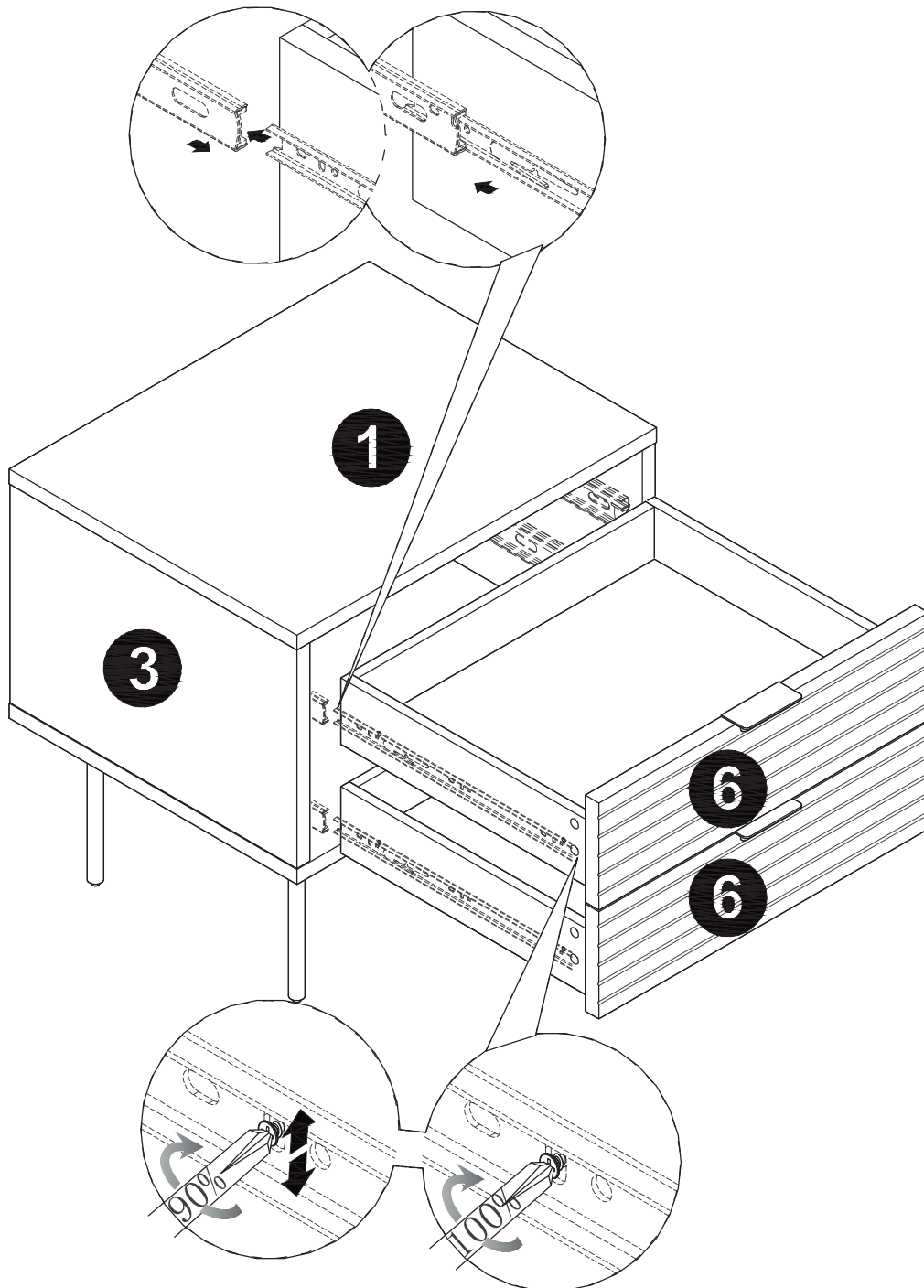
X2

# BANAK

# SHIRO

SO-0115BC-R

8

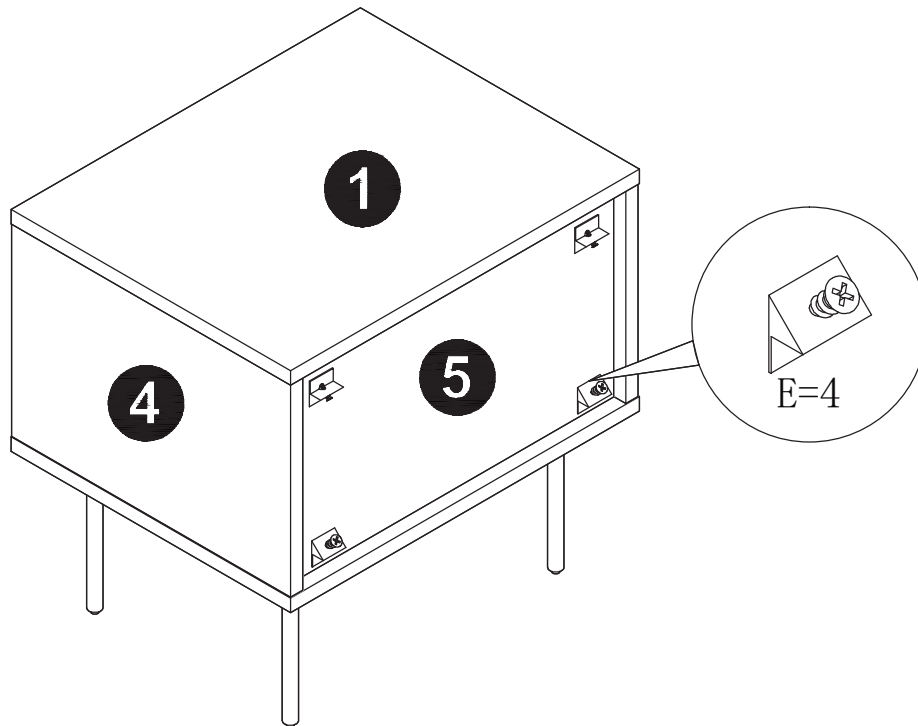


# BANAK

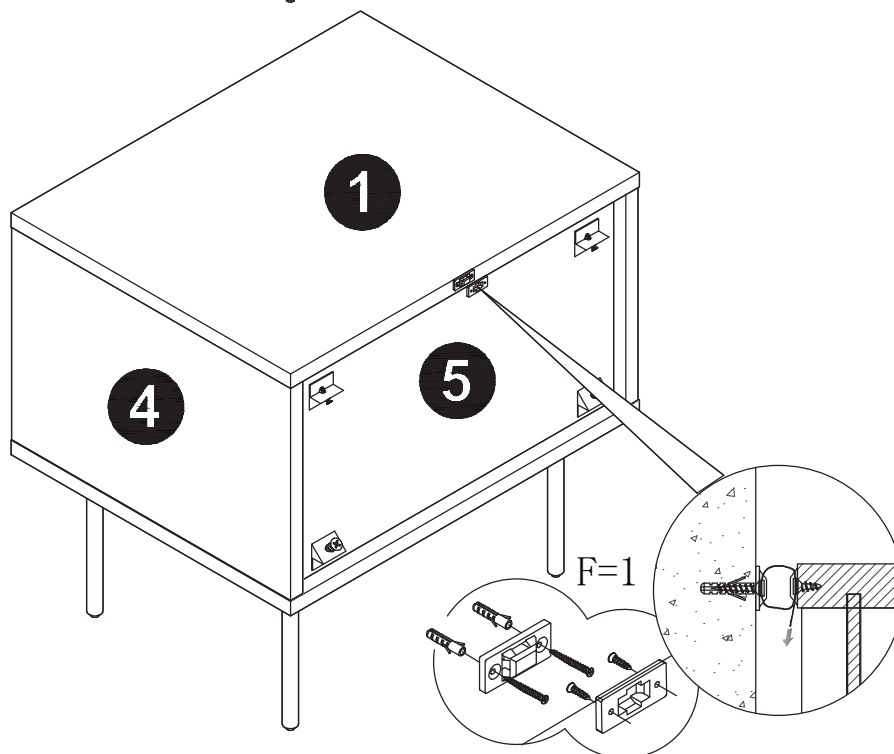
# SHIRO

SO-0115BC-R

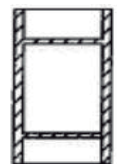
9



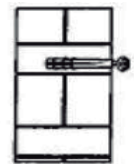
10



X



X



✓