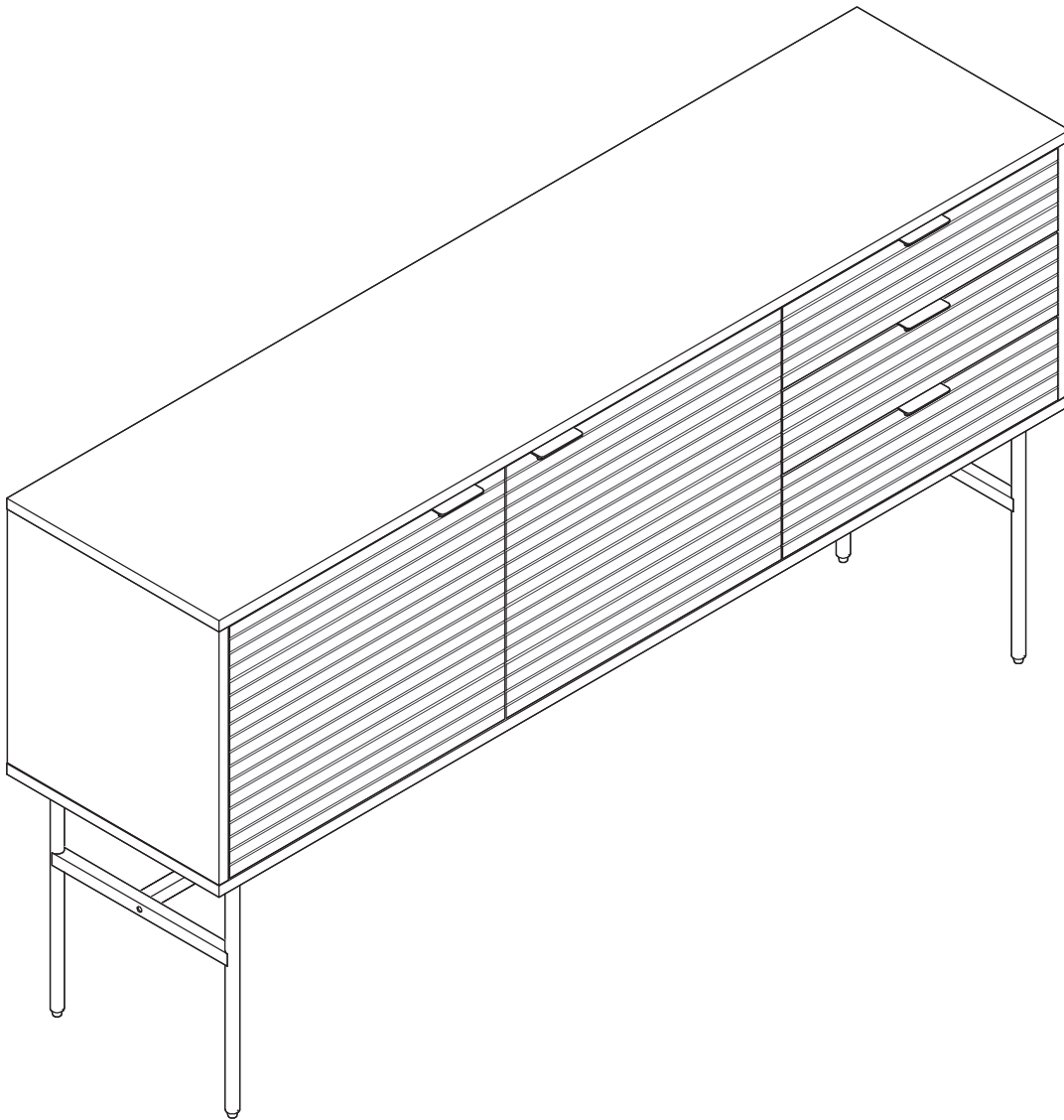


BANAK

SHIRO

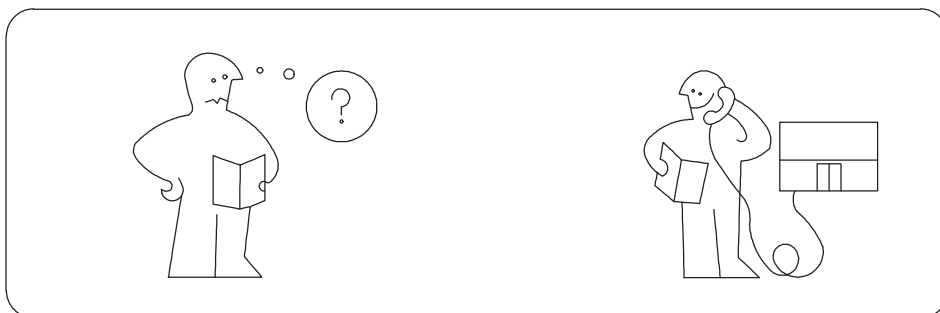
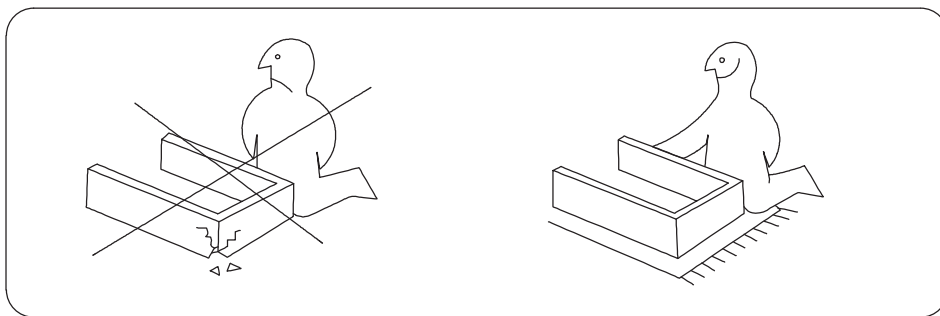
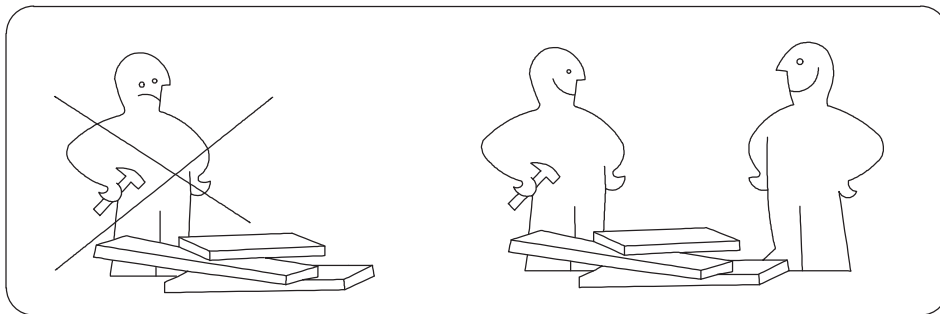
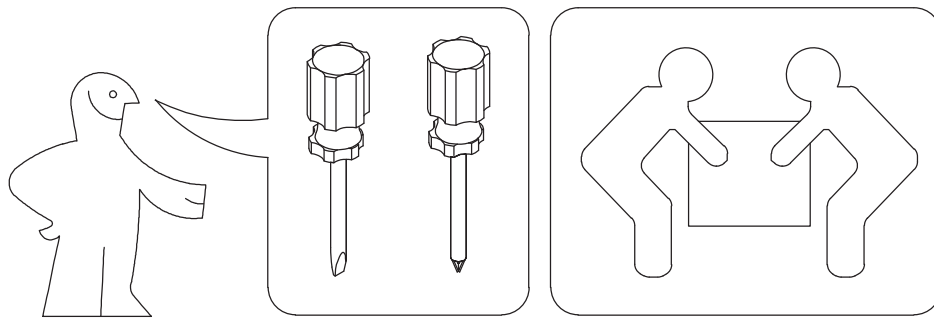
SO-0116BC-R



BANAK

SHIRO

SO-0116BC-R



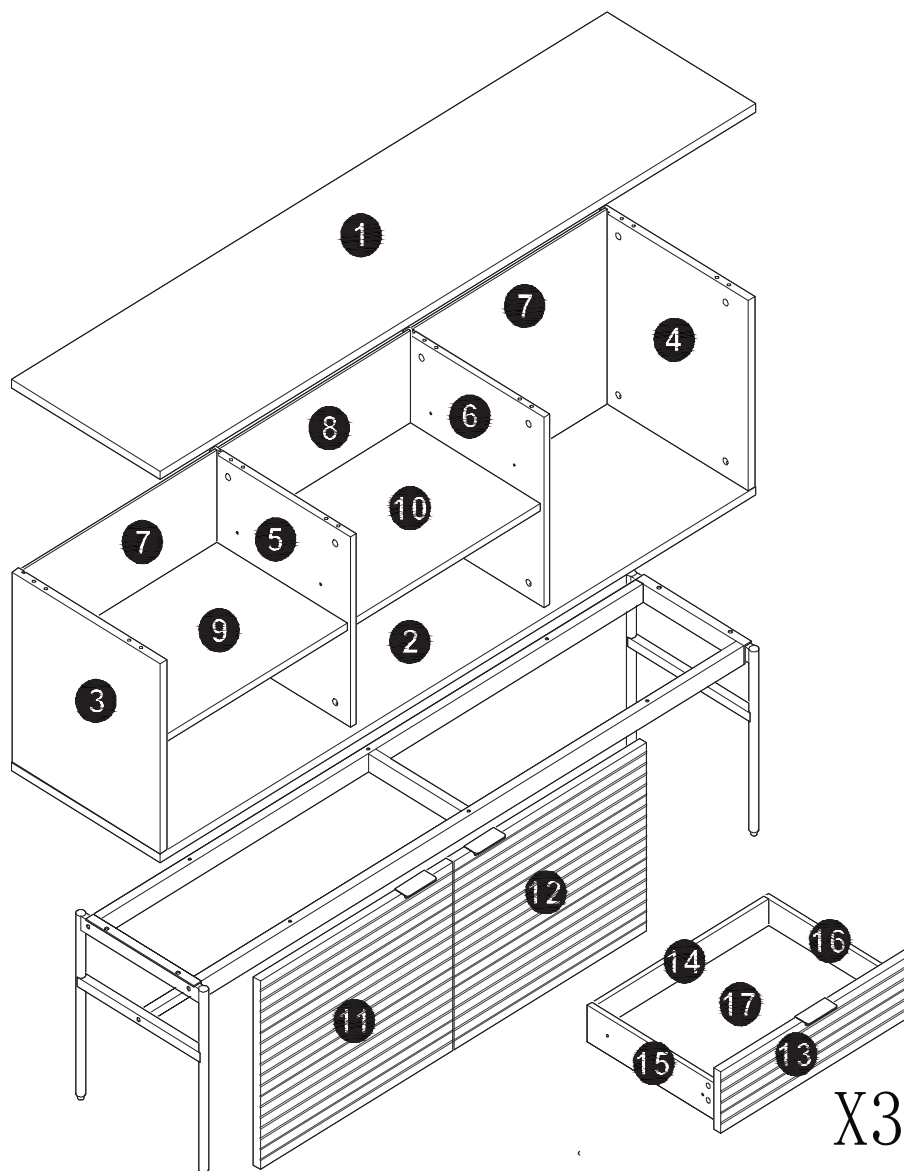
BANAK

SHIRO

SO-0116BC-R

1	1600x400x16	x1
2	1600x100x16	x1
3	414x399x16	x1
4	414x399x16	x1
5	414x381x16	x1
6	414x381x16	x1
7	424x525x5	x2
8	424x514x5	x1
9	512x350x16	x1

10	501x350x16	x1
11	519x108x18	x1
12	519x408x18	x1
13	519x134x18	x3
14	465x80x12	x3
15	350x80x12	x3
16	350x80x12	x3
17	475x348x5	x3



BANAK

SHIRO

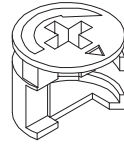
SO-0116BC-R



A=16



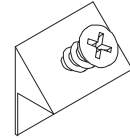
B=16



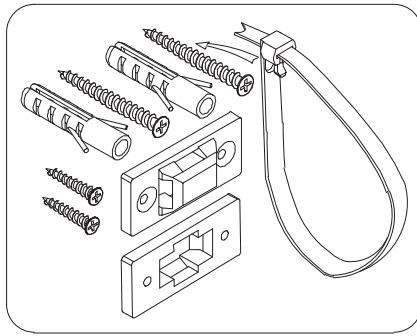
C=16



D=40



E=12



F=1



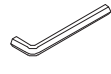
M6*45

G1=10

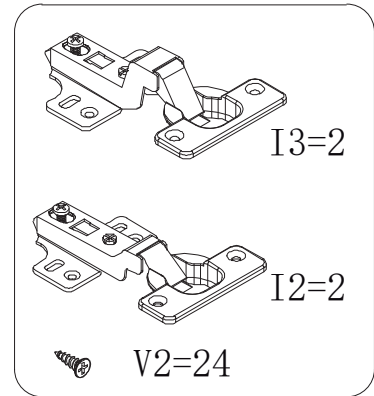


M6*55

G2=6



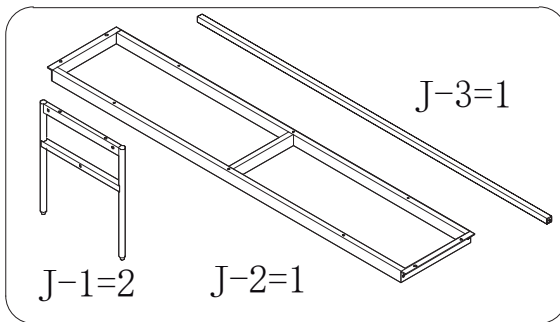
H=1



I3=2

I2=2

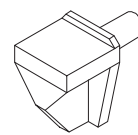
V2=24



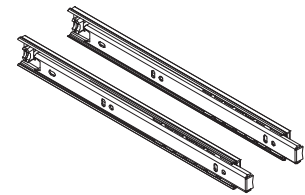
J-1=2

J-2=1

J-3=1



L=8



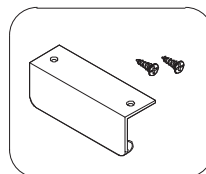
N=3



O=24



P=24



U=5



M3.5*12

V1=24



Z1=10



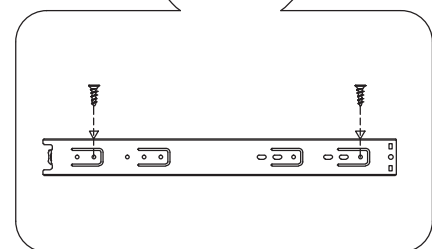
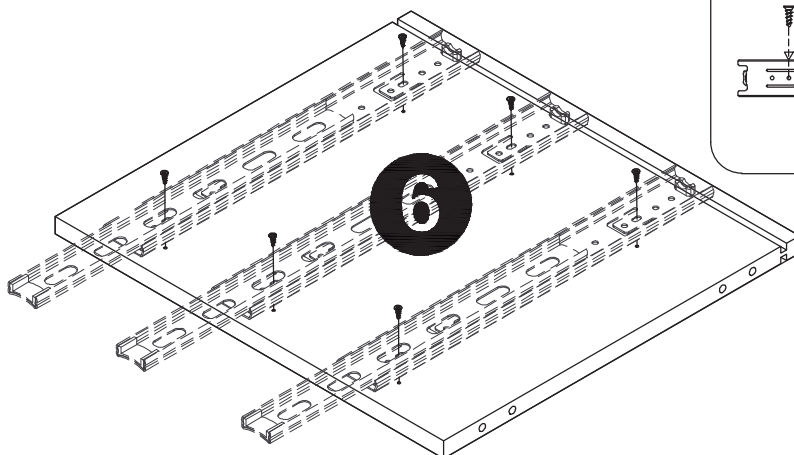
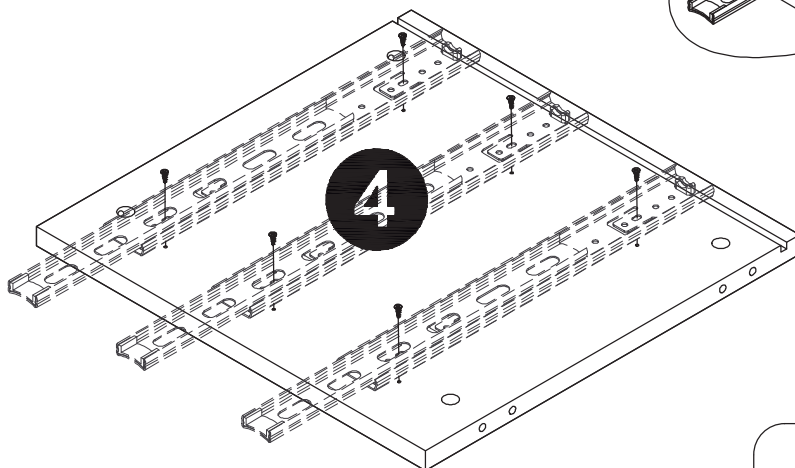
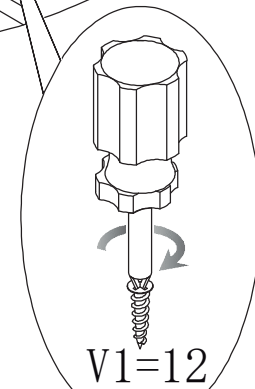
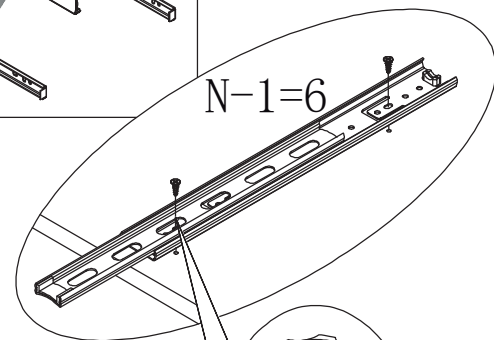
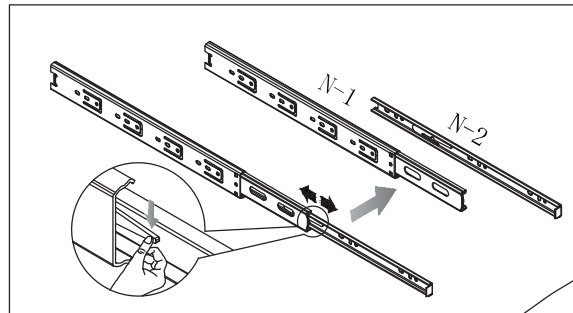
Z2=10

BANAK

SHIRO

SO-0116BC-R

1

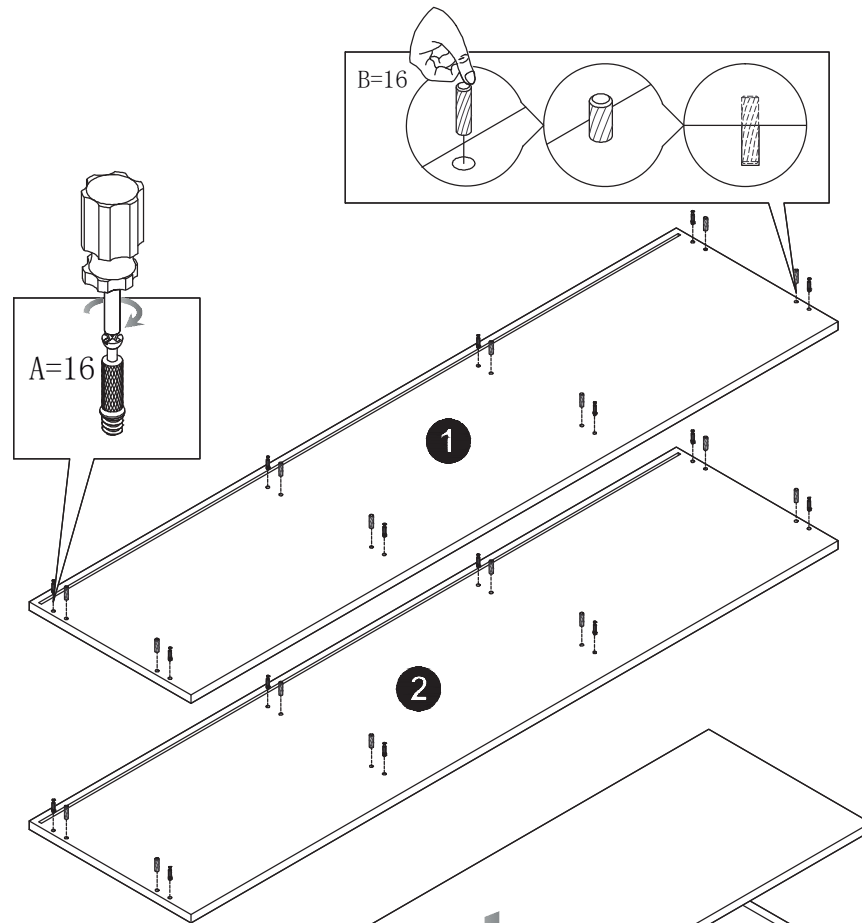


BANAK

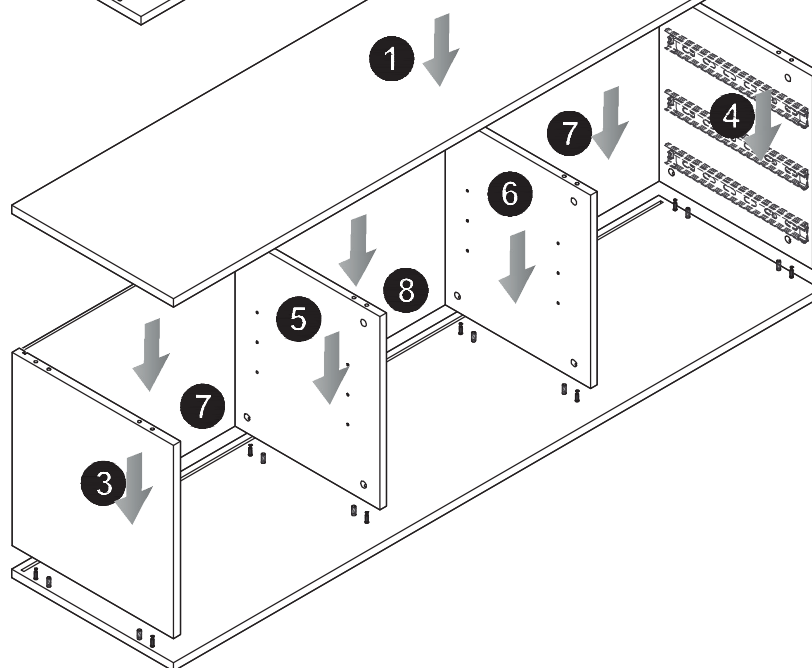
SHIRO

SO-0116BC-R

2



3

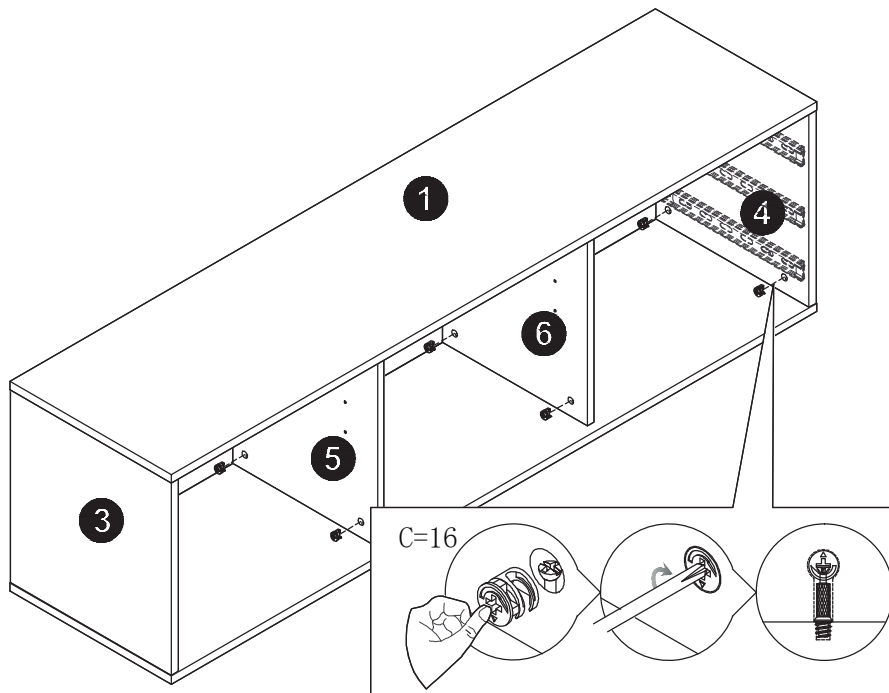


BANAK

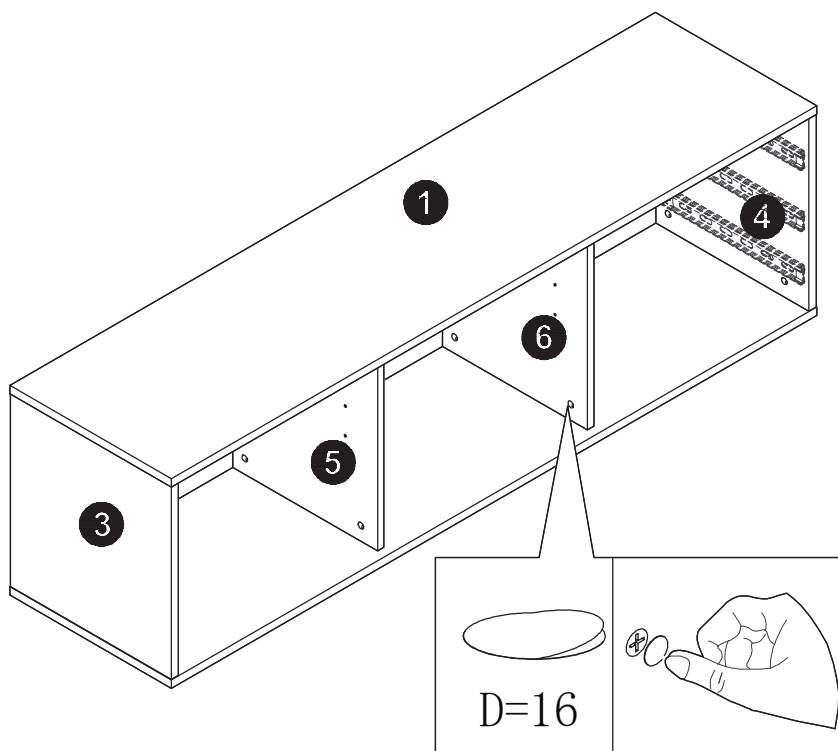
SHIRO

SO-0116BC-R

4



5

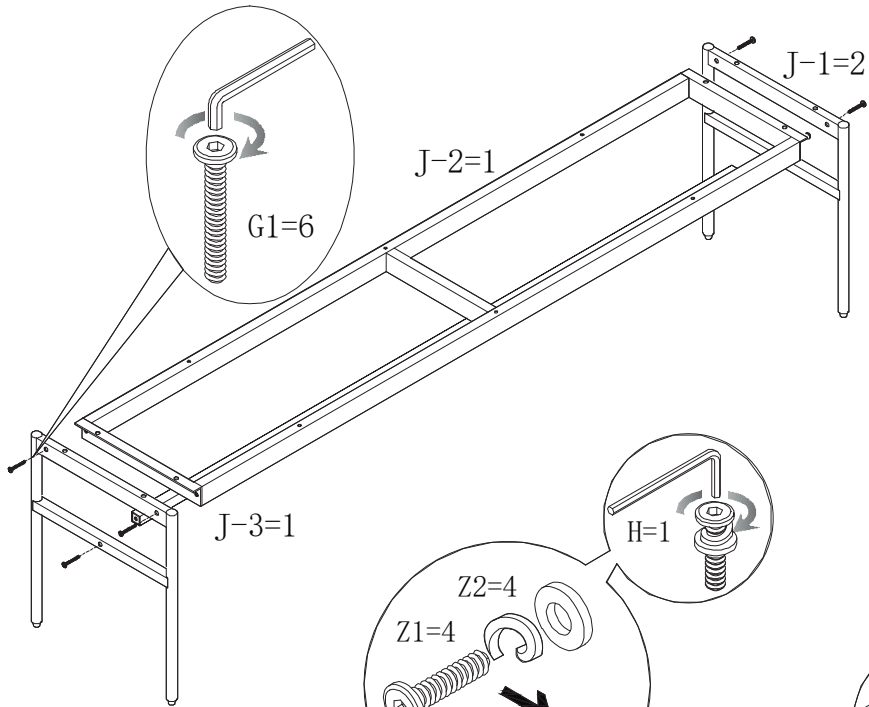


BANAK

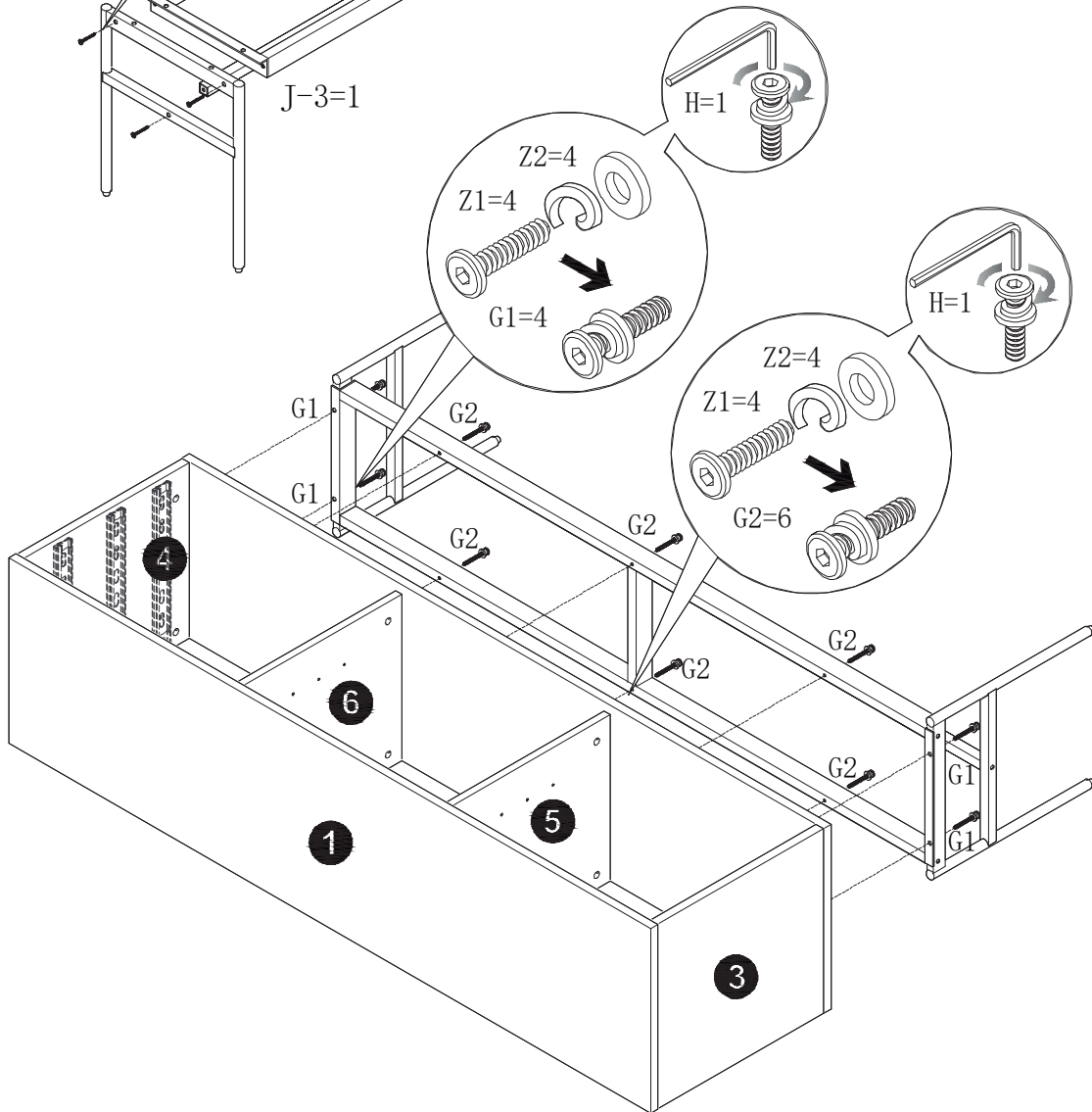
SHIRO

SO-0116BC-R

6



7

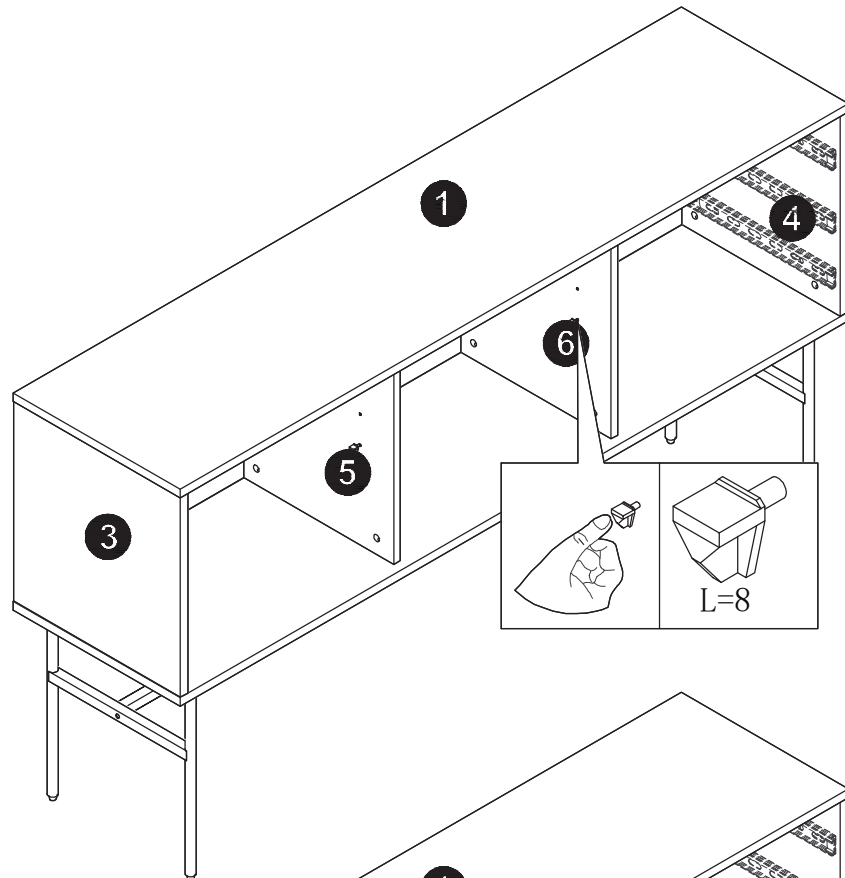


BANAK

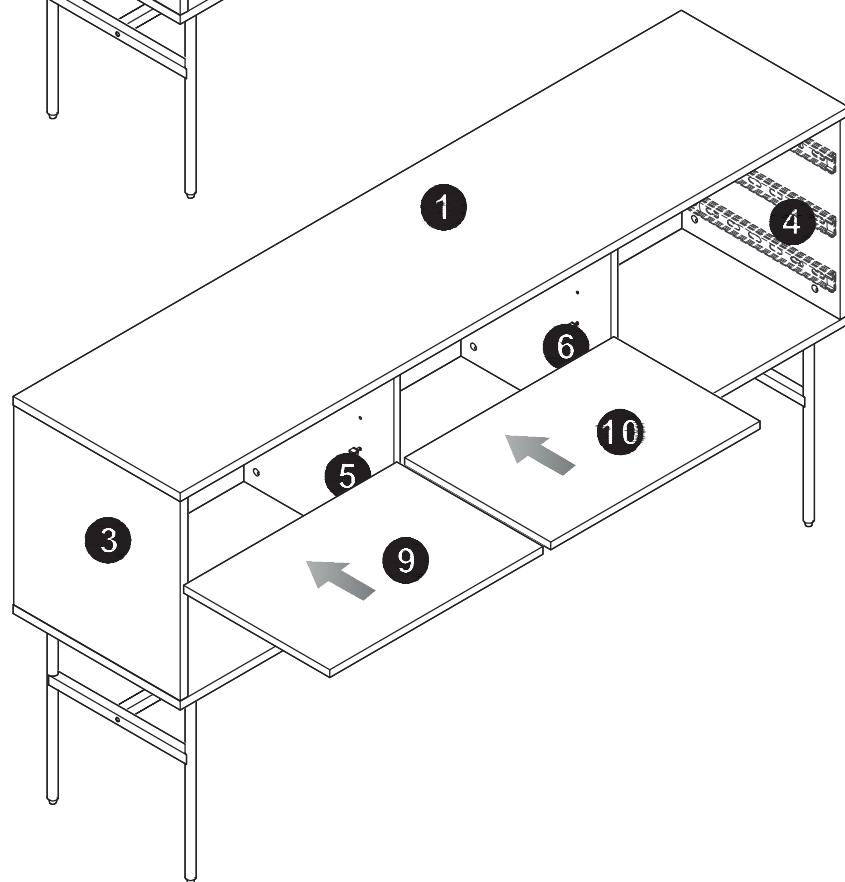
SHIRO

SO-0116BC-R

8



9

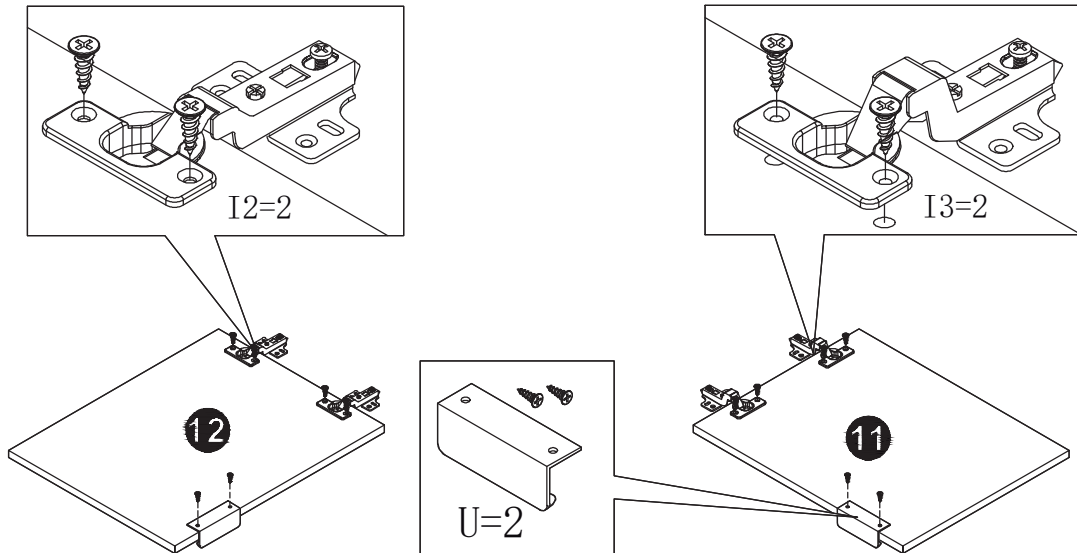


BANAK

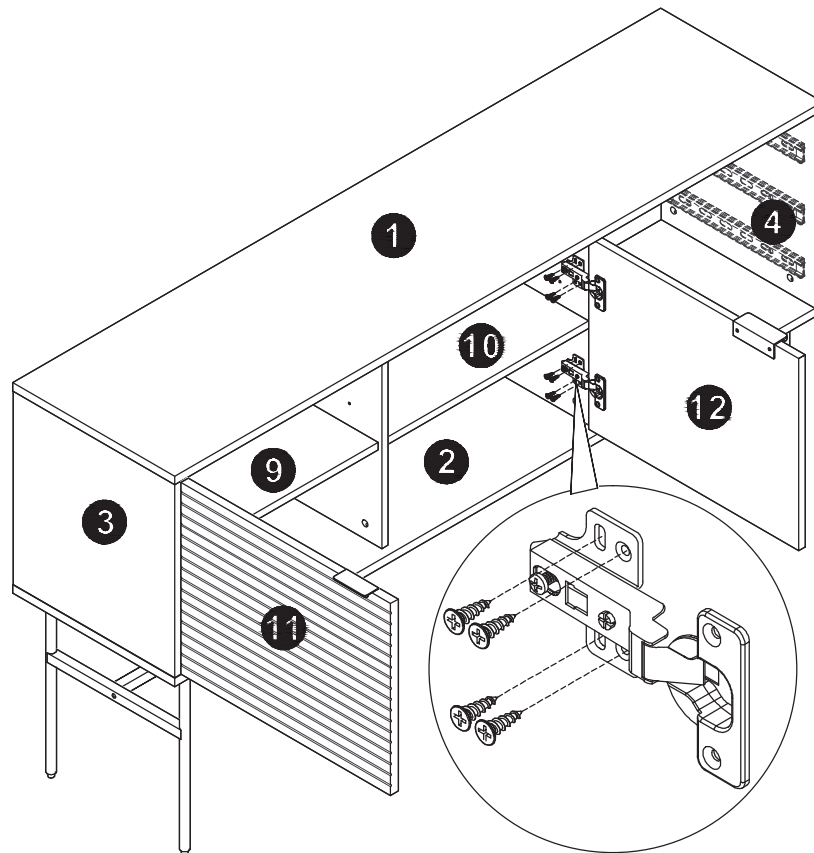
SHIRO

SO-0116BC-R

10



11

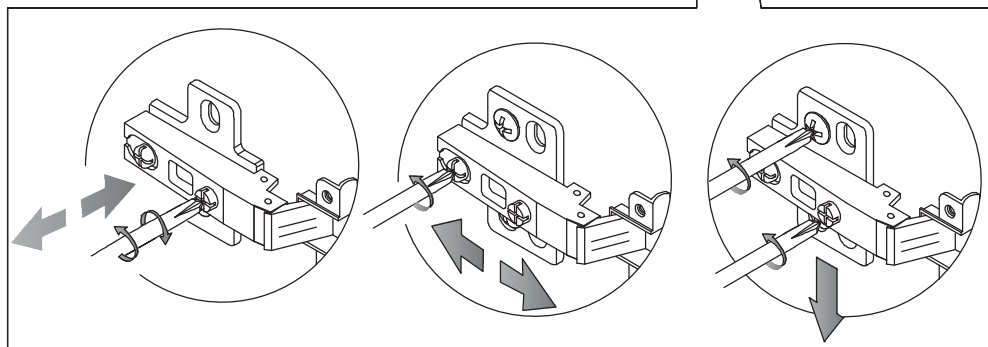
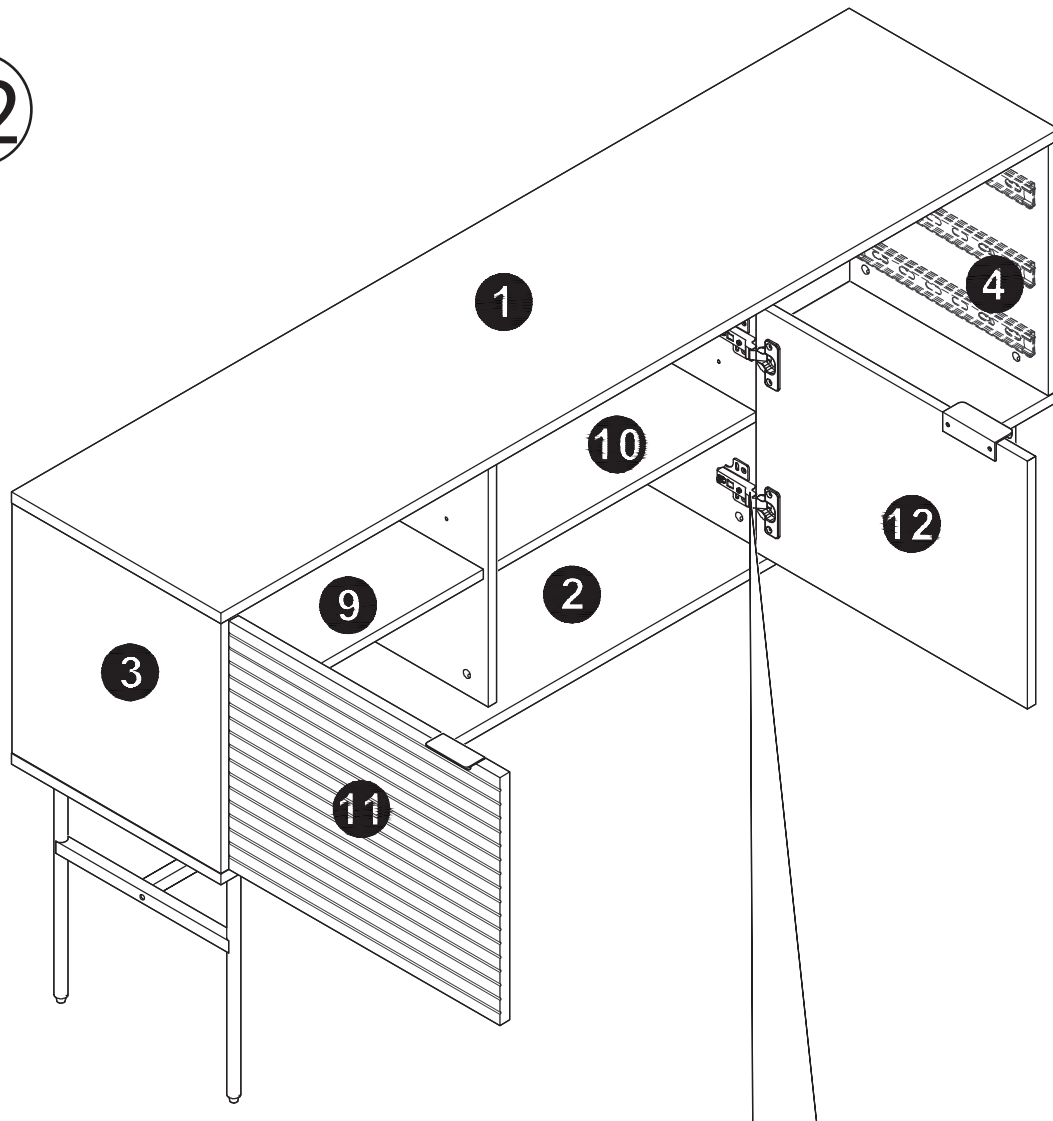


BANAK

SHIRO

SO-0116BC-R

12



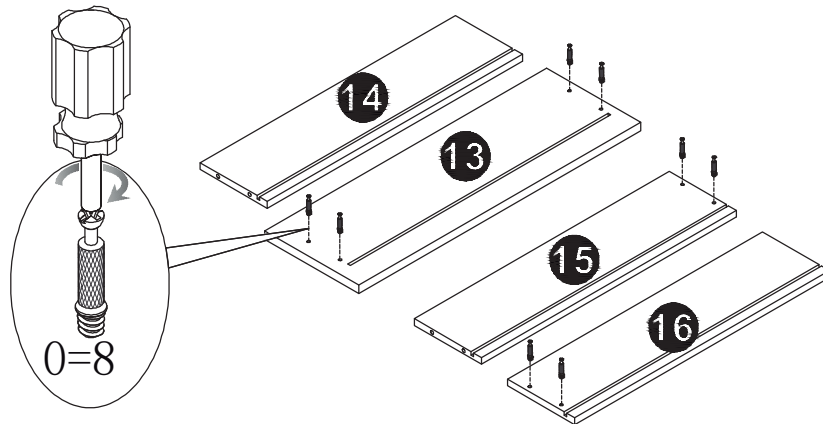
BANAK

SHIRO

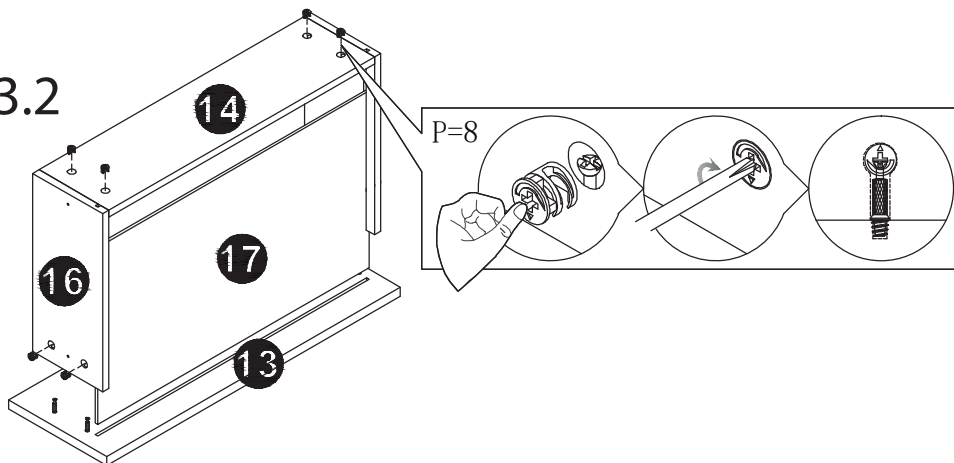
SO-0116BC-R

13

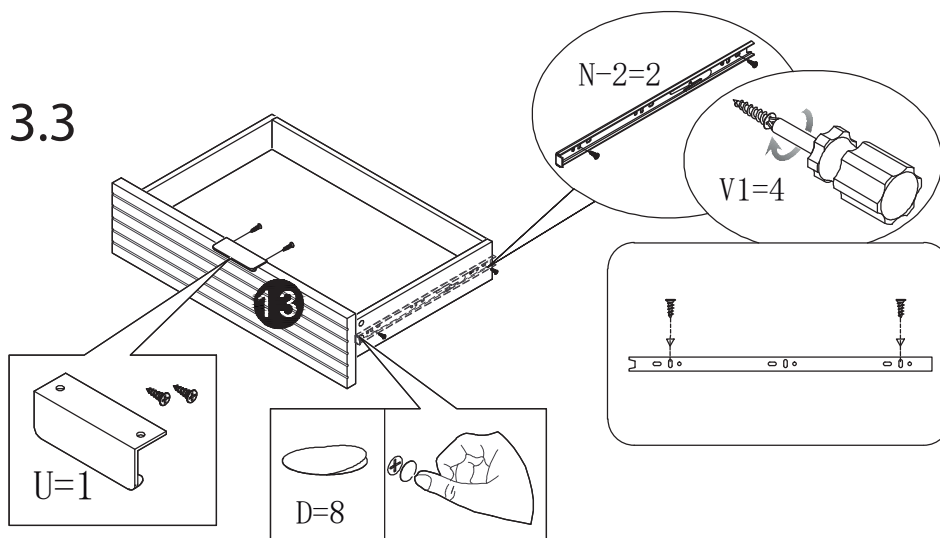
13.1



13.2



13.3



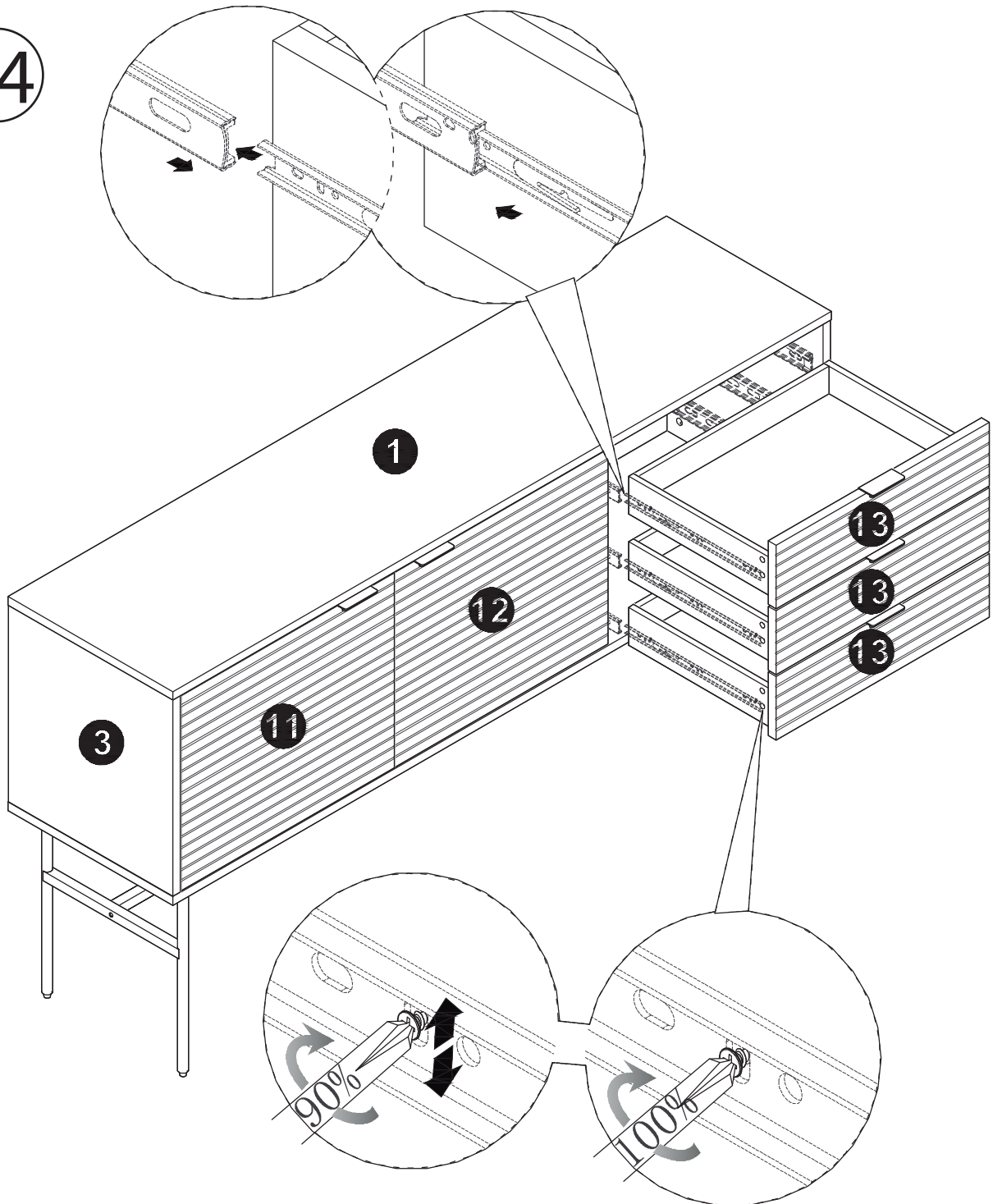
X3

BANAK

SHIRO

SO-0116BC-R

14

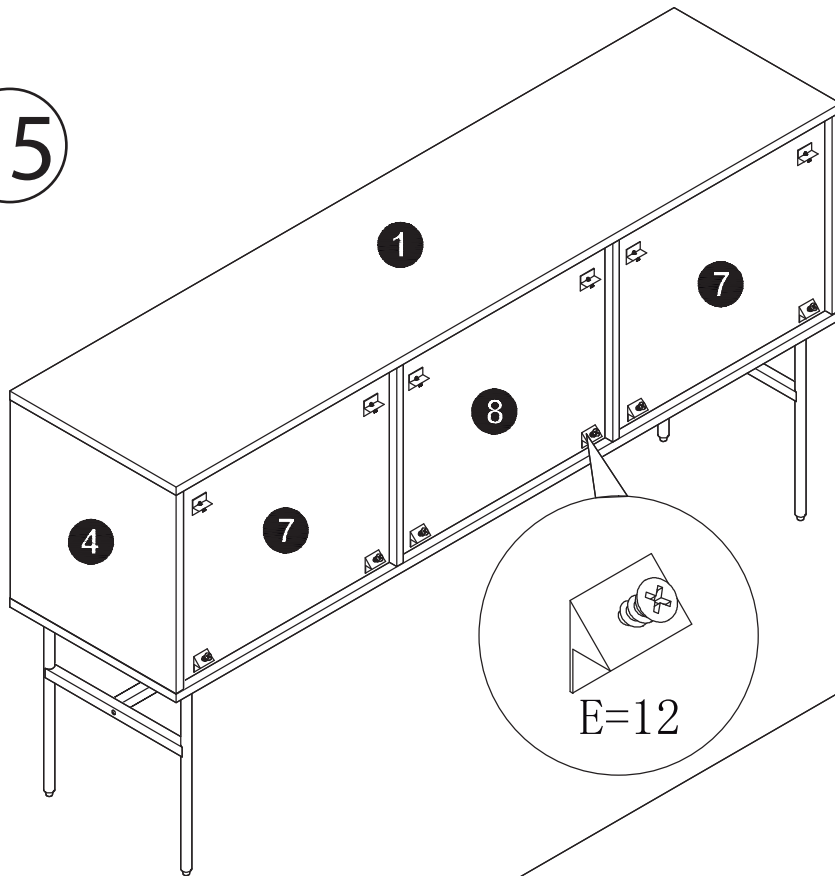


BANAK

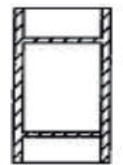
SHIRO

SO-0116BC-R

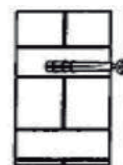
15



X



X



✓

16

