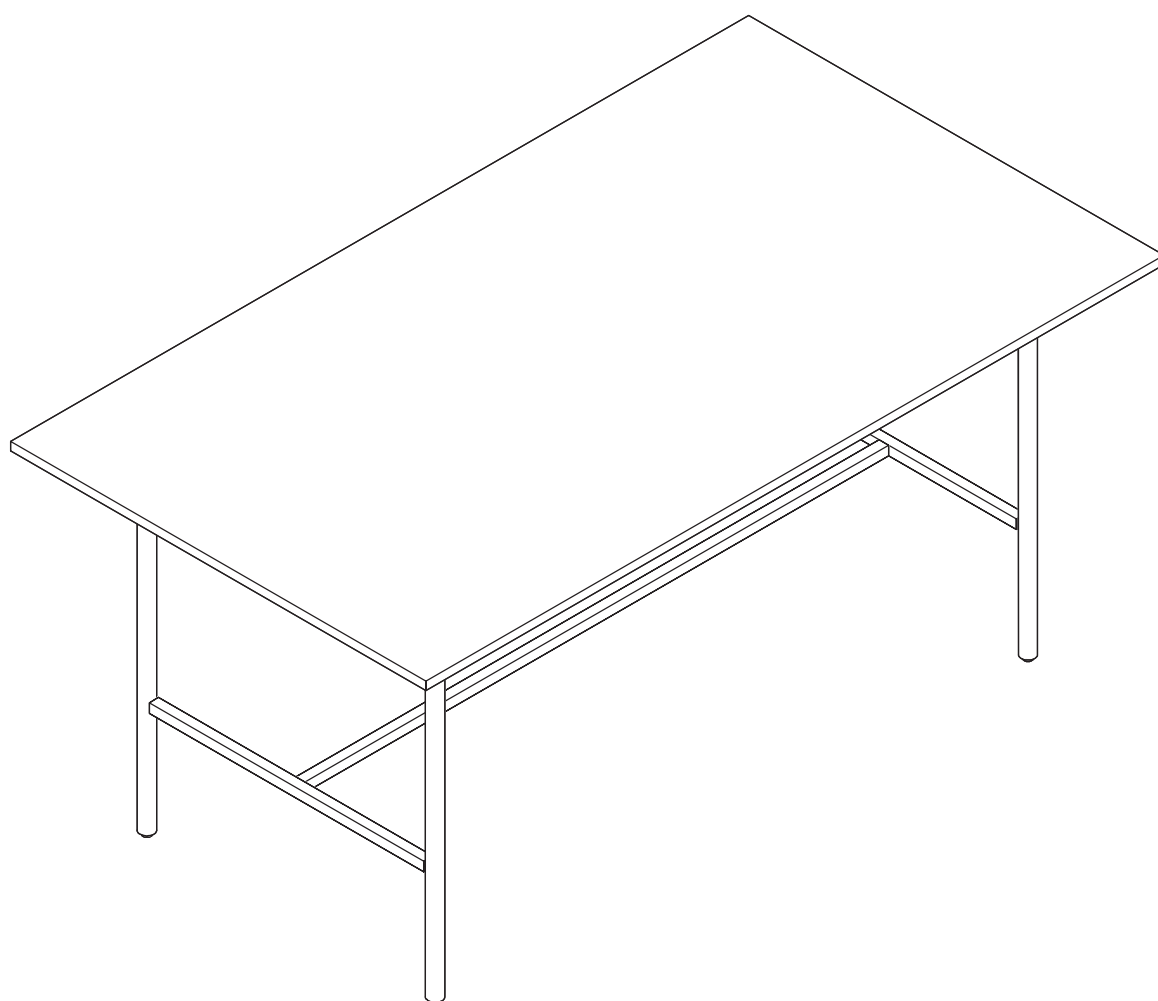


BANAK

SHIRO

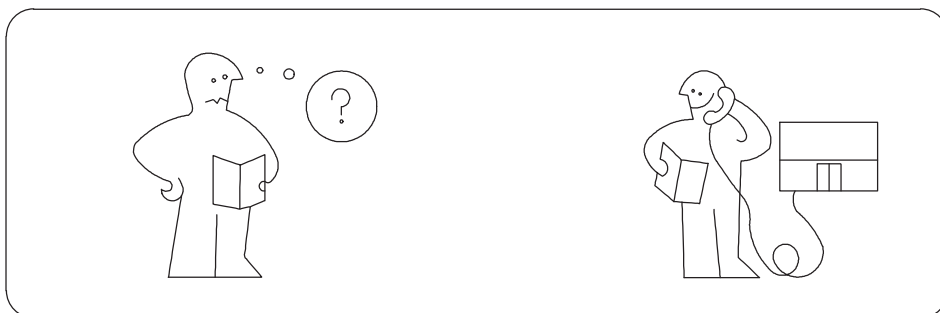
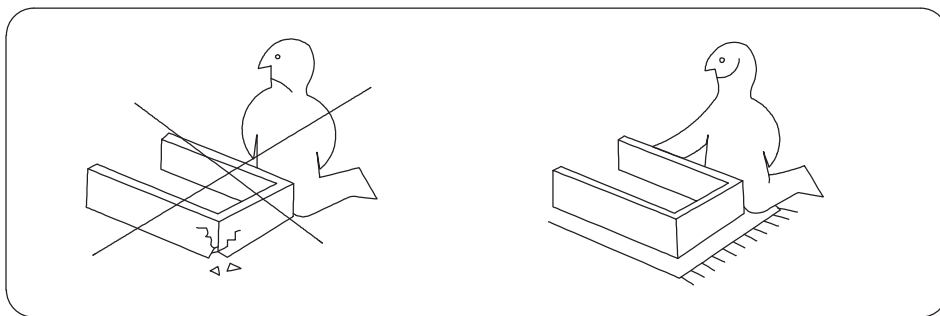
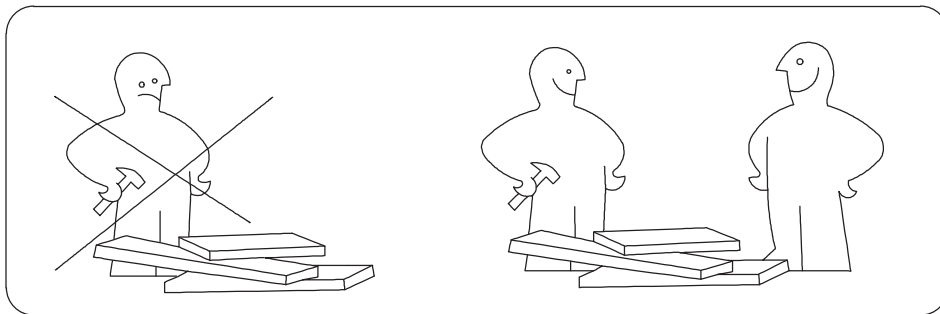
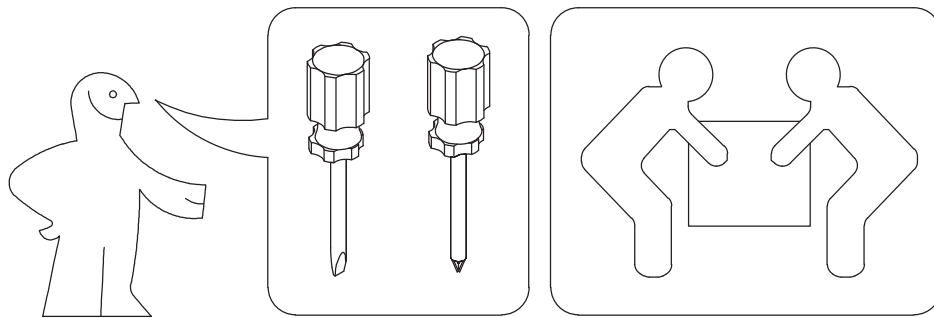
SO-0119R



BANAK

SHIRO

SO-0119R

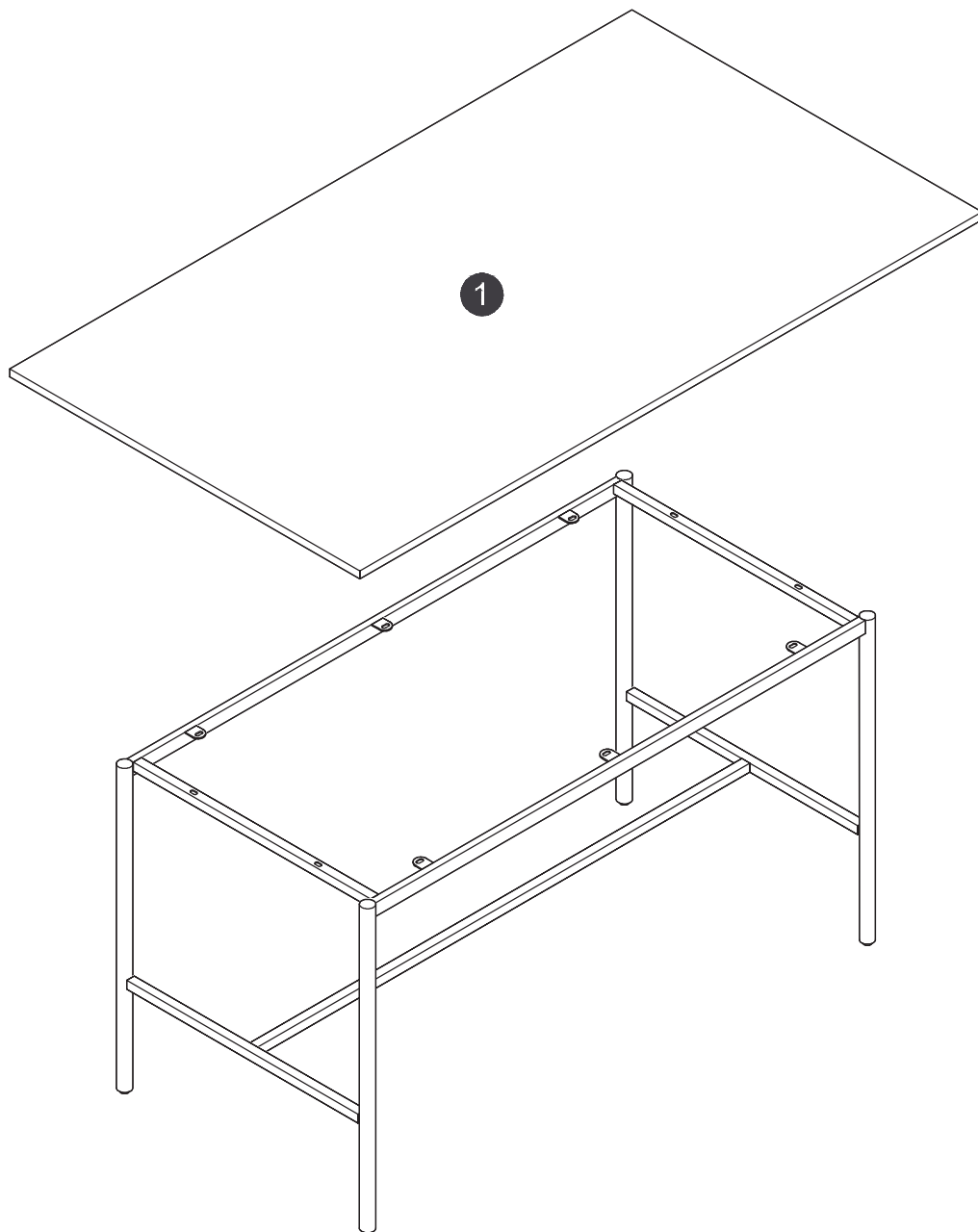


BANAK

SHIRO

SO-0119R

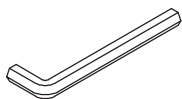
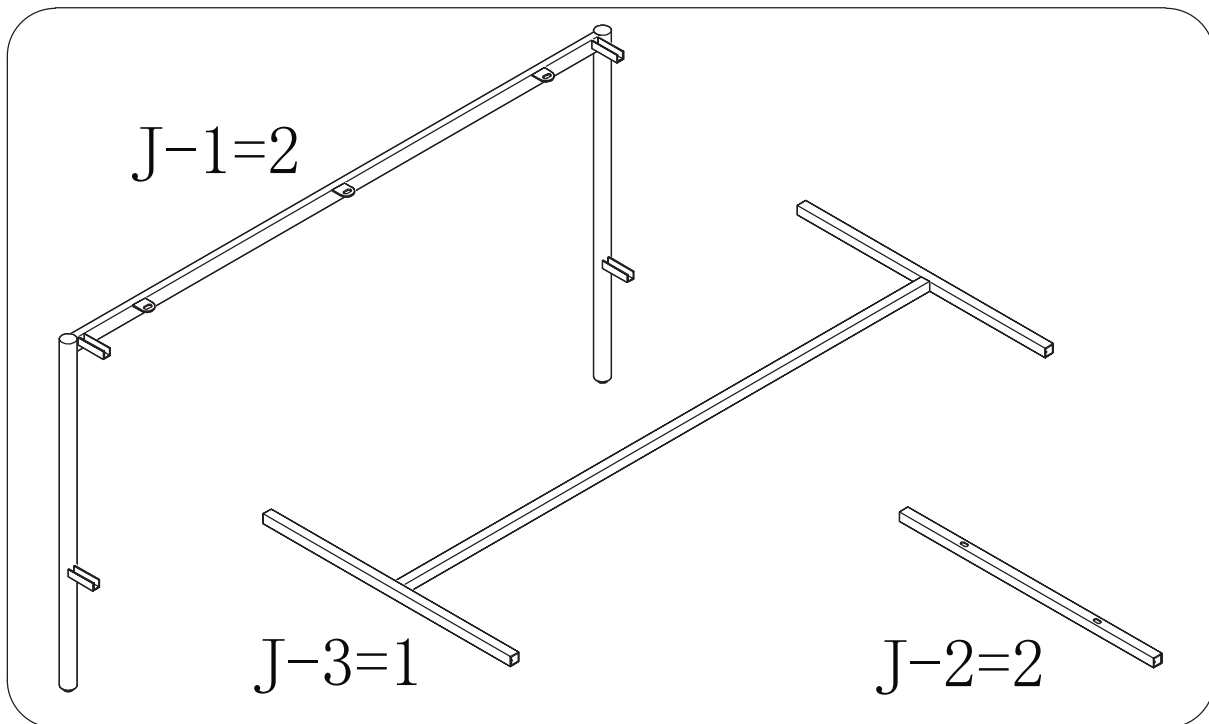
1	1600x900x18	x1
---	-------------	----



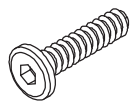
BANAK

SHIRO

SO-0119R

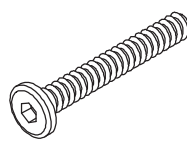


H=1



M6*16

G1=22

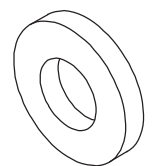


M6*30

G2=4



Z1=26



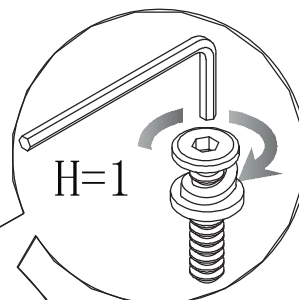
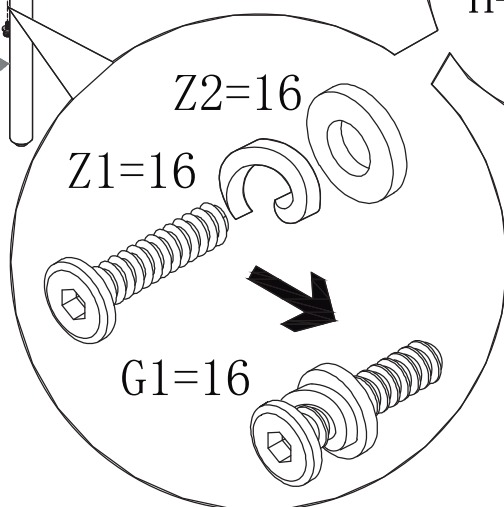
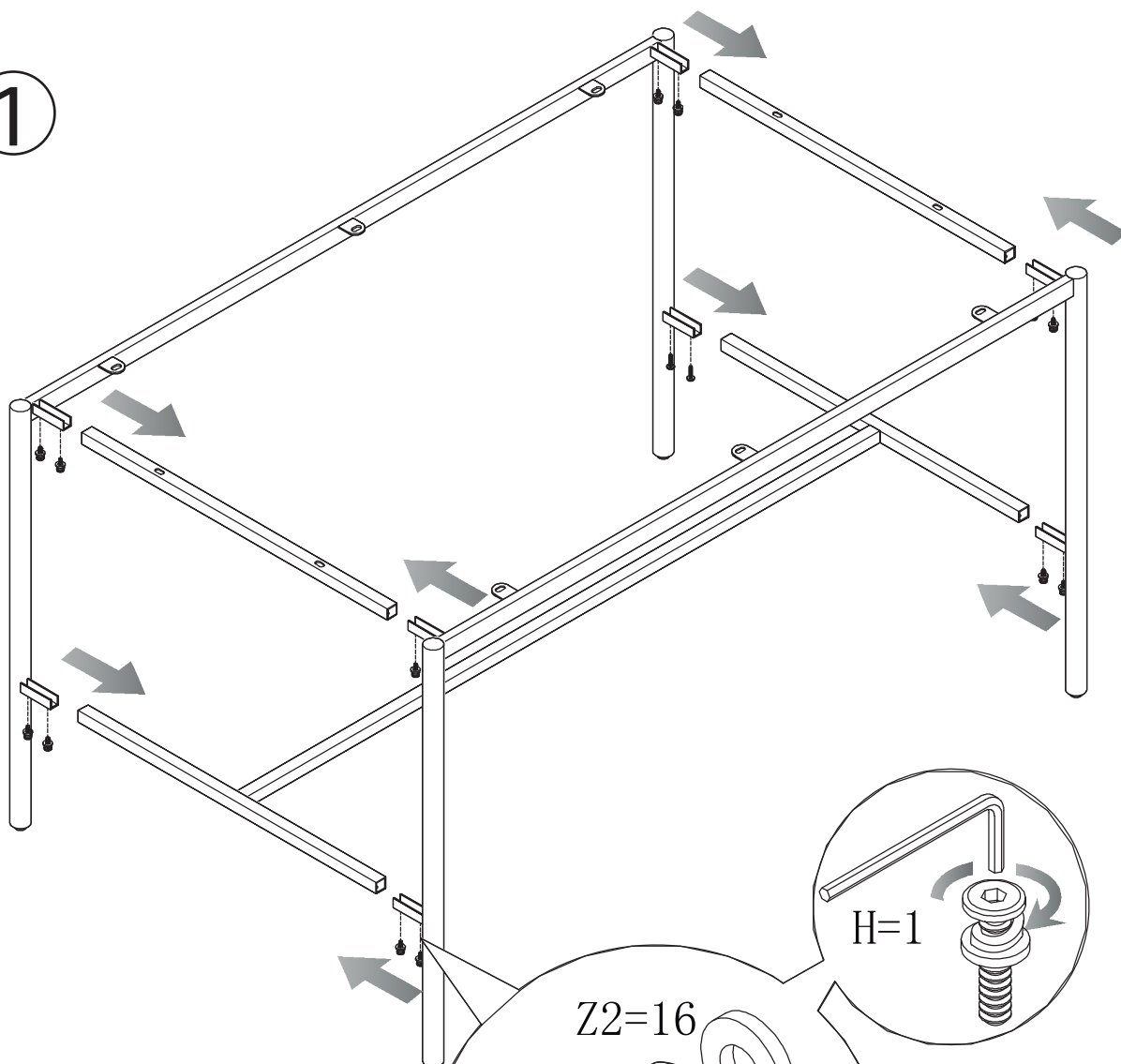
Z2=26

BANAK

SHIRO

SO-0119R

1



BANAK

SHIRO

SO-0119R

2

