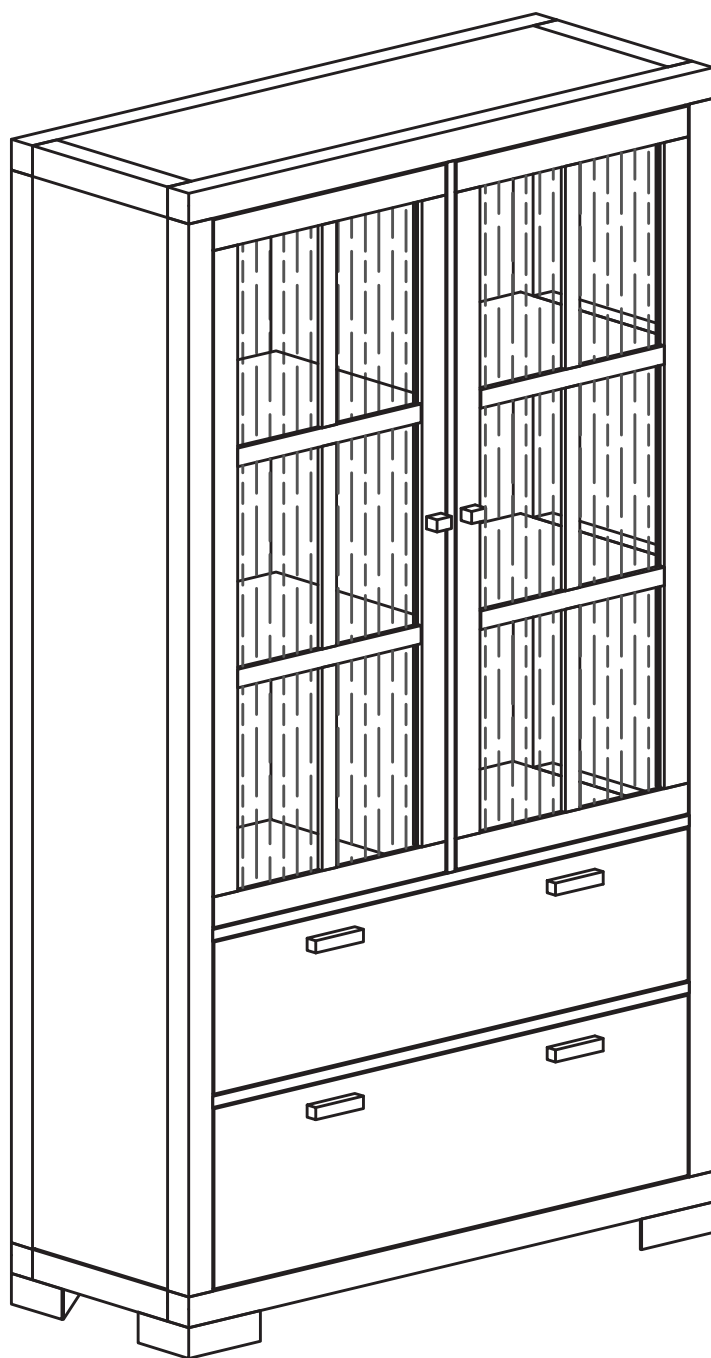


# BANAK

# TRIBECA

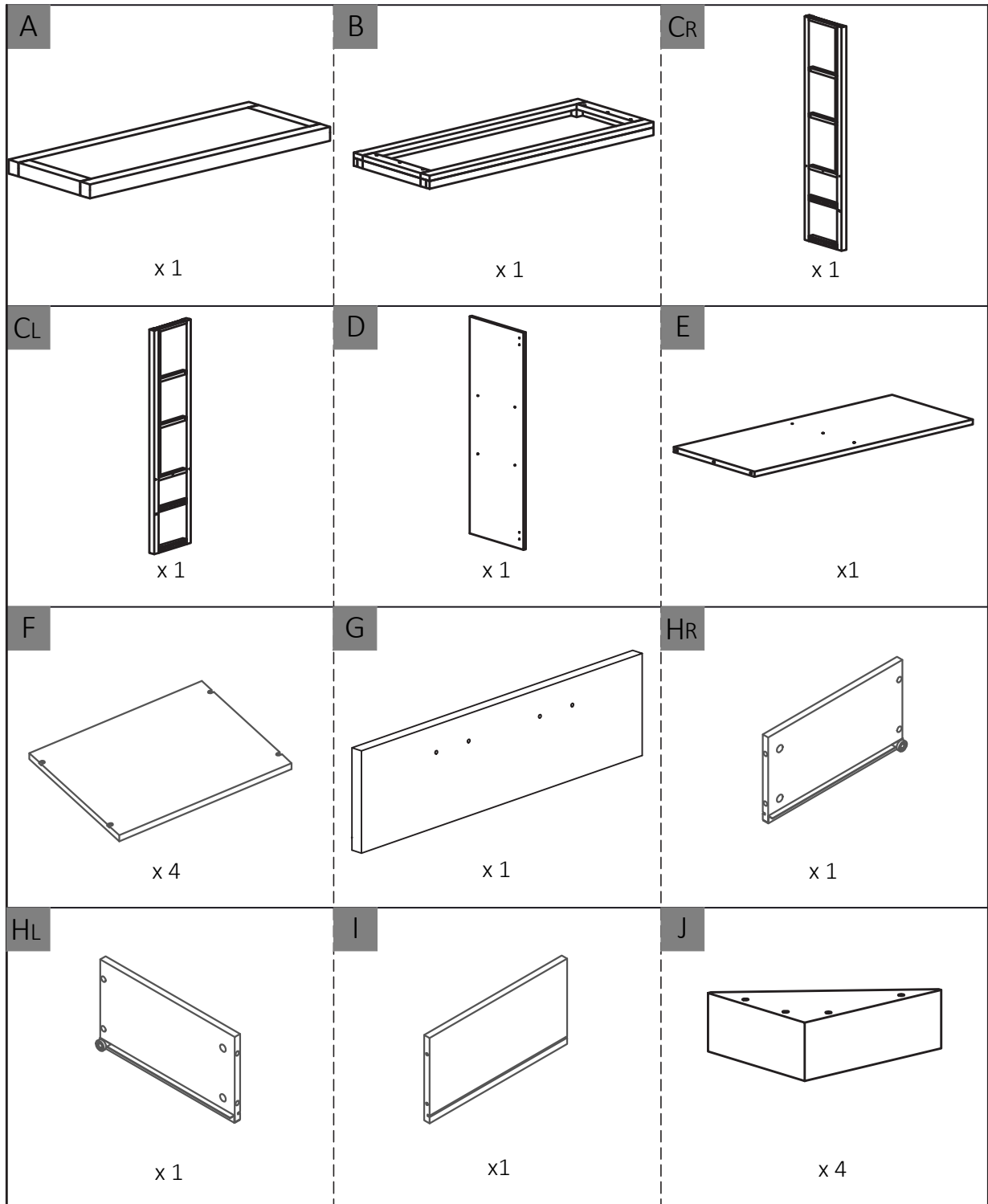
TR-0007



# BANAK

# TRIBECA

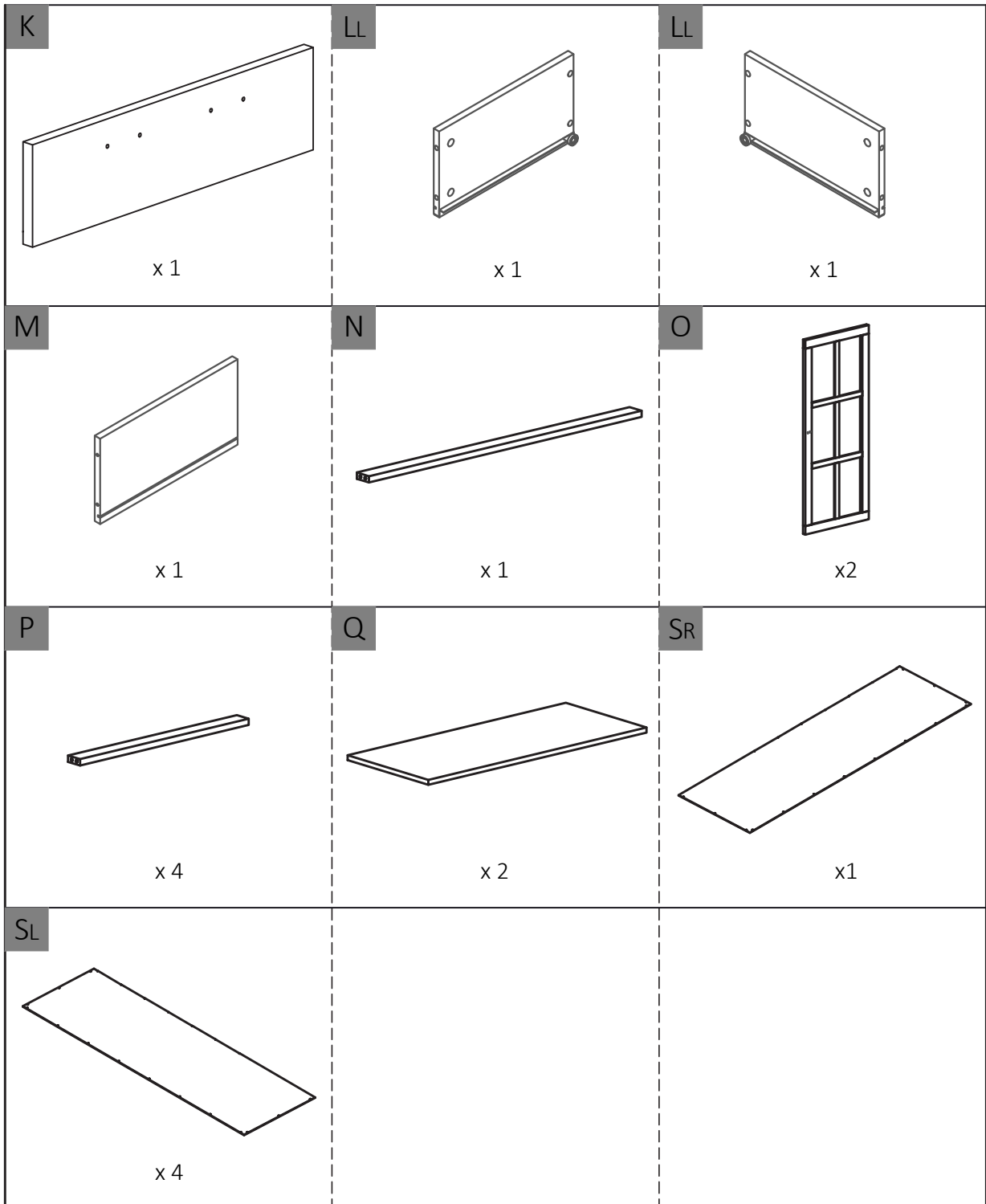
TR-0007



# BANAK

# TRIBECA


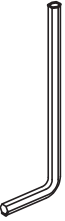
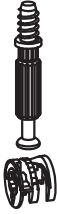
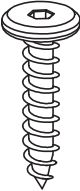



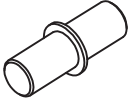
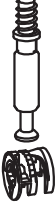

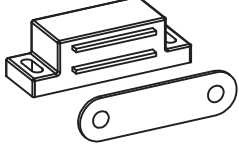
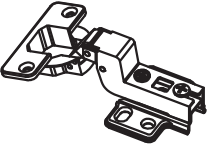

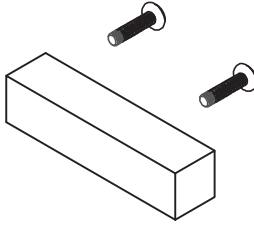


TR-0007



# BANAK

# TRIBECA

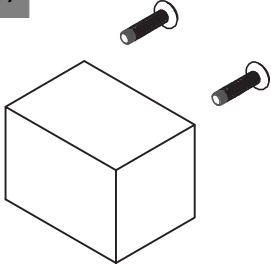

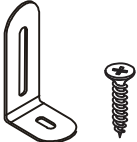
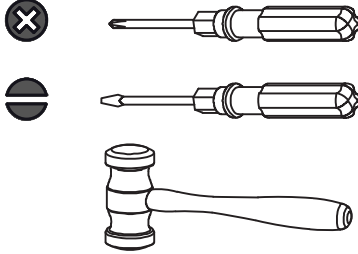

TR-0007

<p>1</p>  <p>Ø8 X 30mm x 4</p>	<p>2</p>  <p>x 1</p>	<p>3</p>  <p>x 12</p>	<p>4</p>  <p>M6 X 30mm x 12</p>
<p>5</p>  <p>M4 X 15mm x 35</p>	<p>6</p>  <p>M3 X 15mm x 16</p>	<p>7</p>  <p>M4 X 30mm x 8</p>	<p>8</p>  <p>x 16</p>
<p>9</p>  <p>x 8</p>	<p>10</p>  <p>M4 X 15mm x 36</p>	<p>11</p>  <p>x 4</p>	<p>12</p>  <p>x 6</p>
<p>13</p>  <p>M8 X 8mm x 8</p>	<p>14</p>  <p>x 4</p>	<p>15</p>  <p>Ø6 X 30mm x 16</p>	<p>16</p>  <p>x 6</p>

# BANAK

# TRIBECA

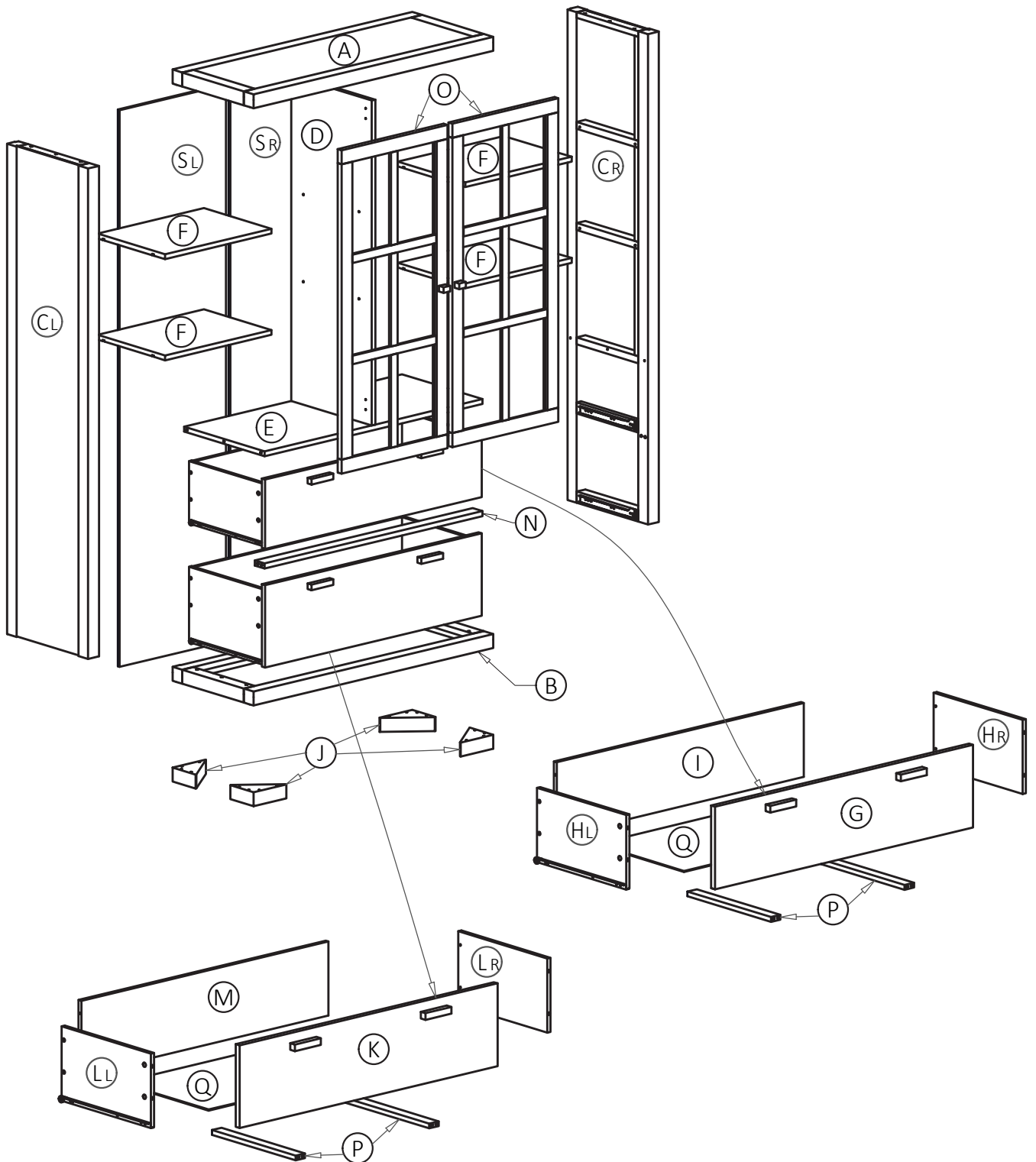
TR-0007

<p>17</p>  <p>x 2</p>	<p>18</p>  <p>M4 X 45mm x16</p>	<p>19</p>  <p>x 2</p>	
 			

# BANAK

# TRIBECA

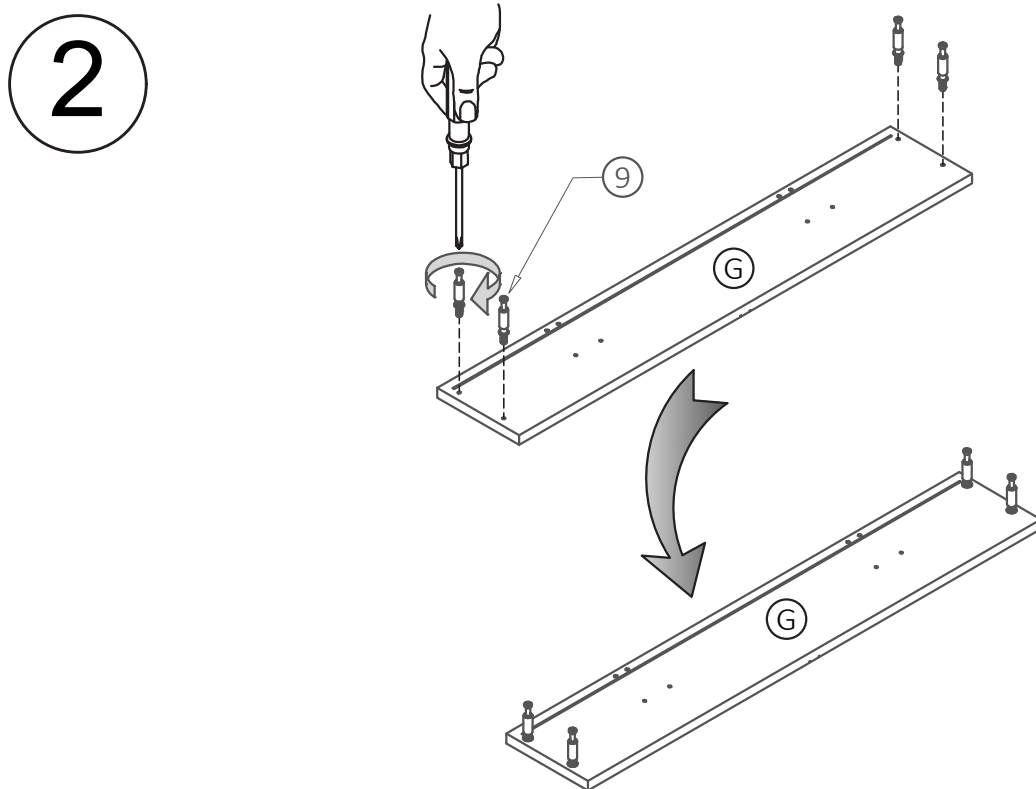
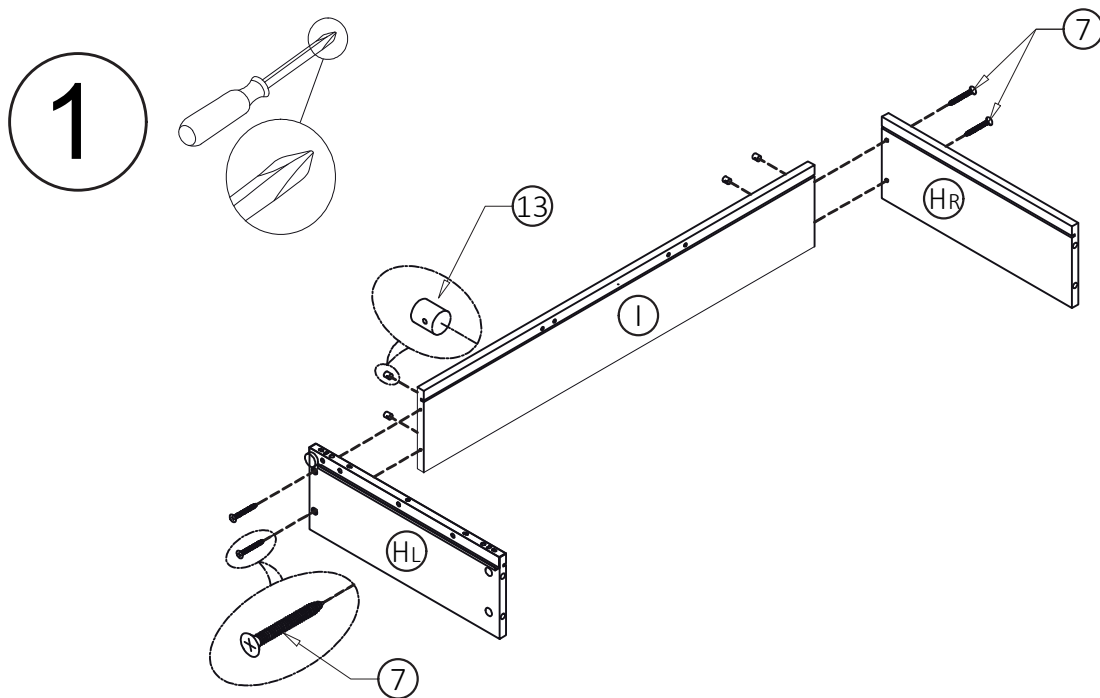
TR-0007



# BANAK

# TRIBECA

TR-0007





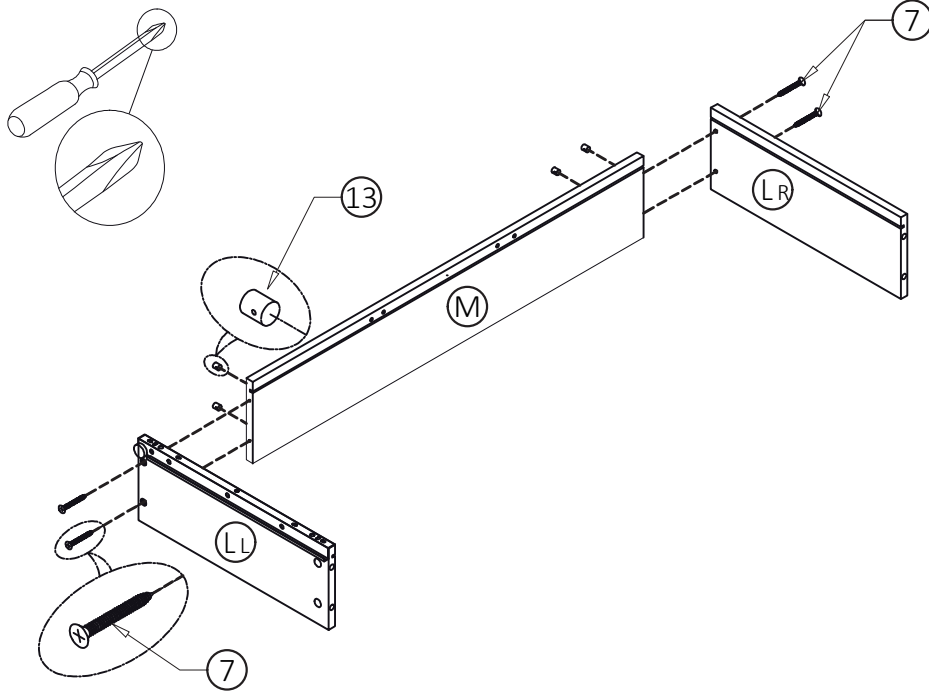


# BANAK

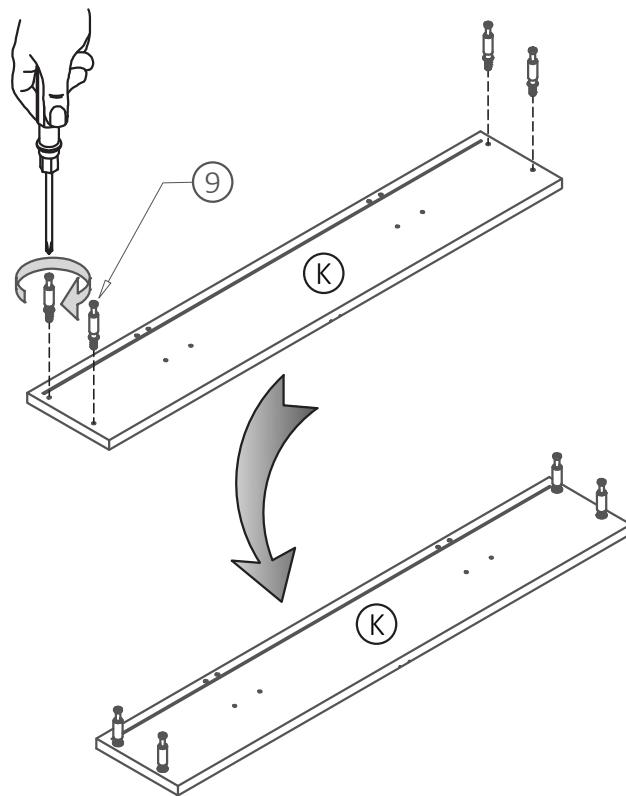
# TRIBECA

TR-0007

5



6

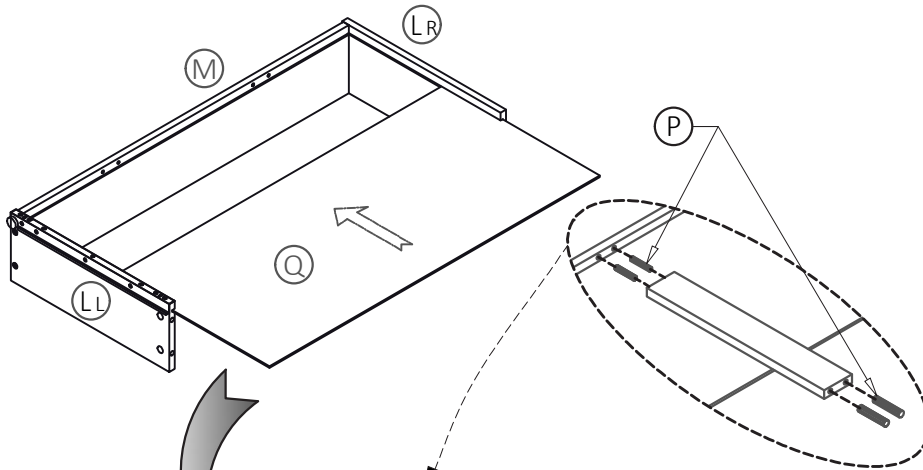


# BANAK

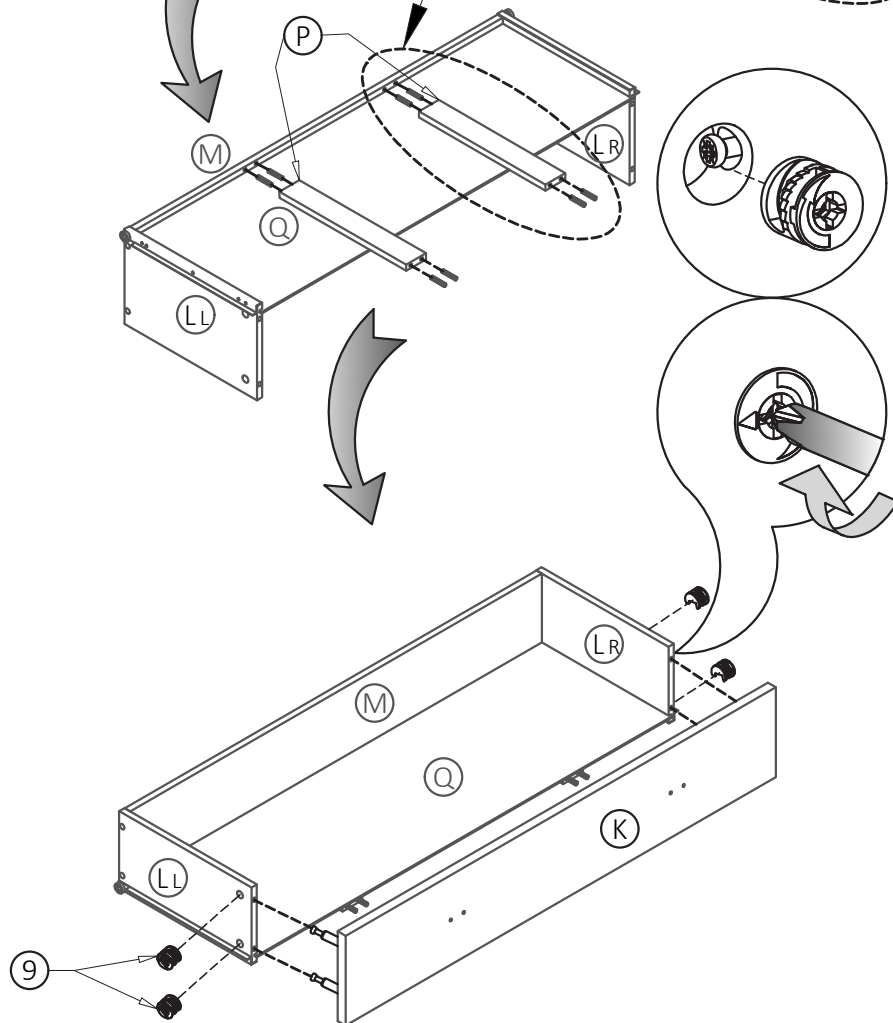
# TRIBECA

TR-0007

7



8

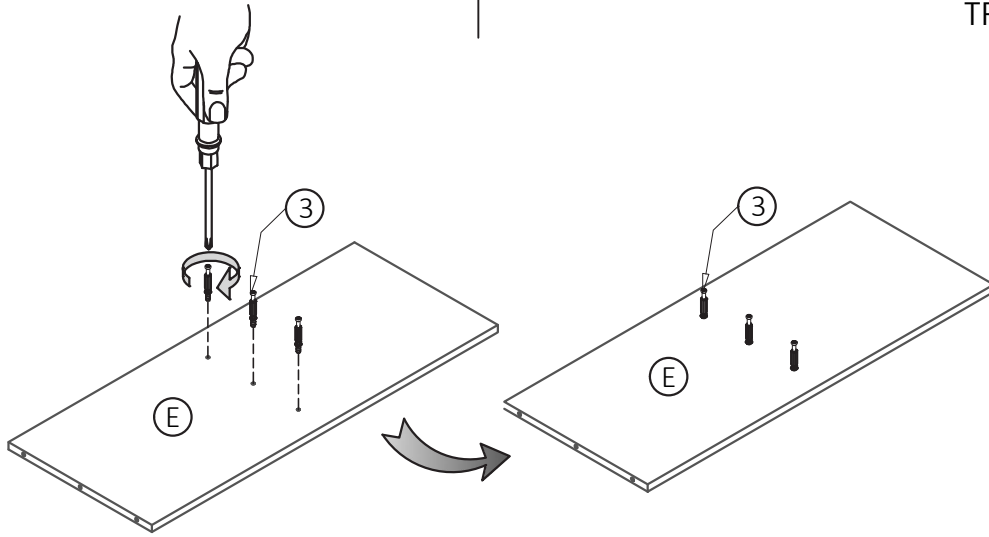


# BANAK

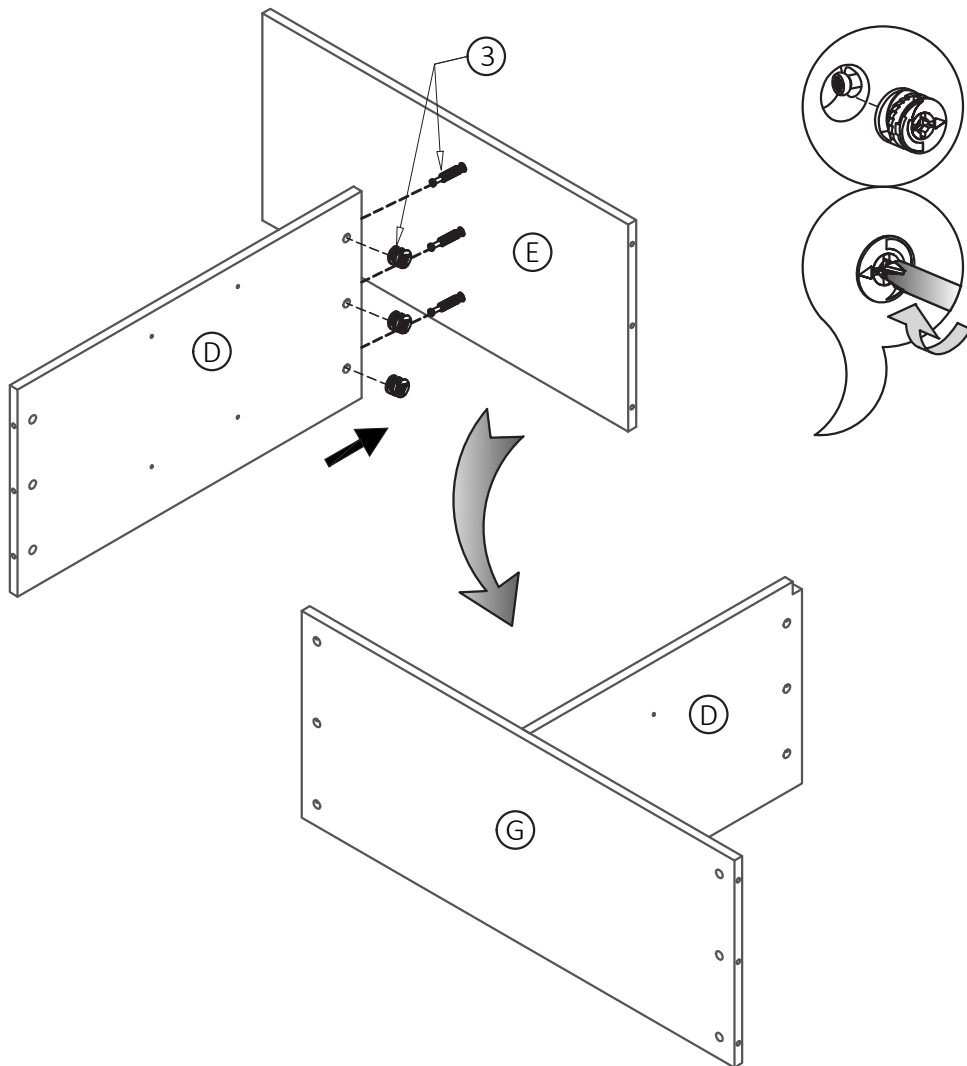
# TRIBECA

TR-0007

9



10



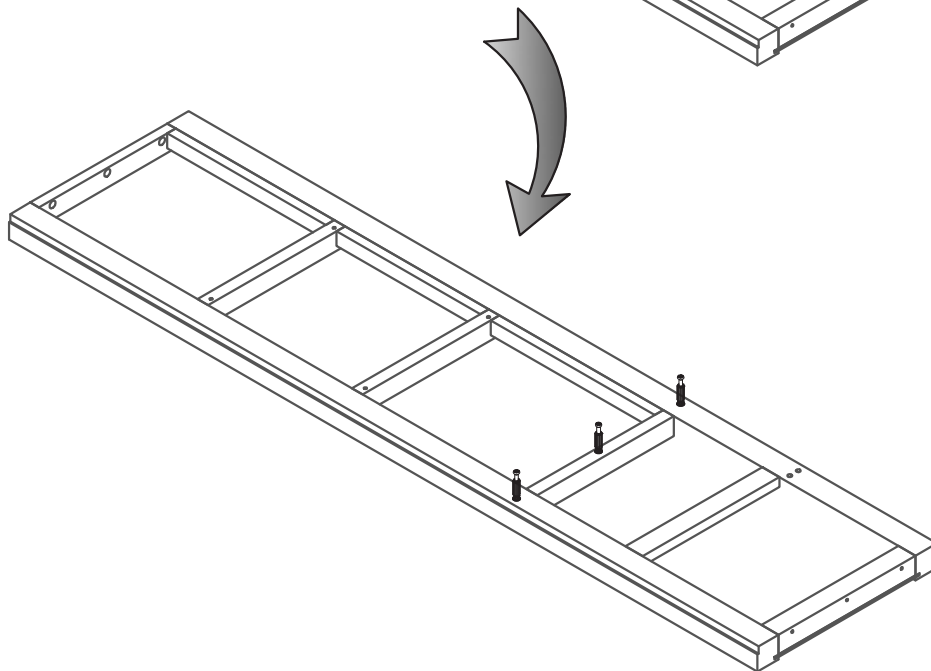
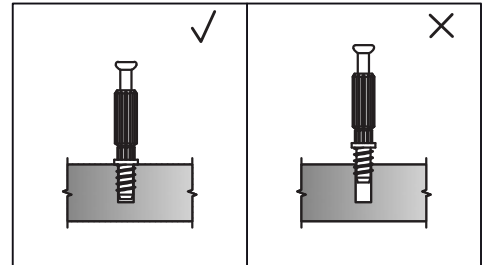
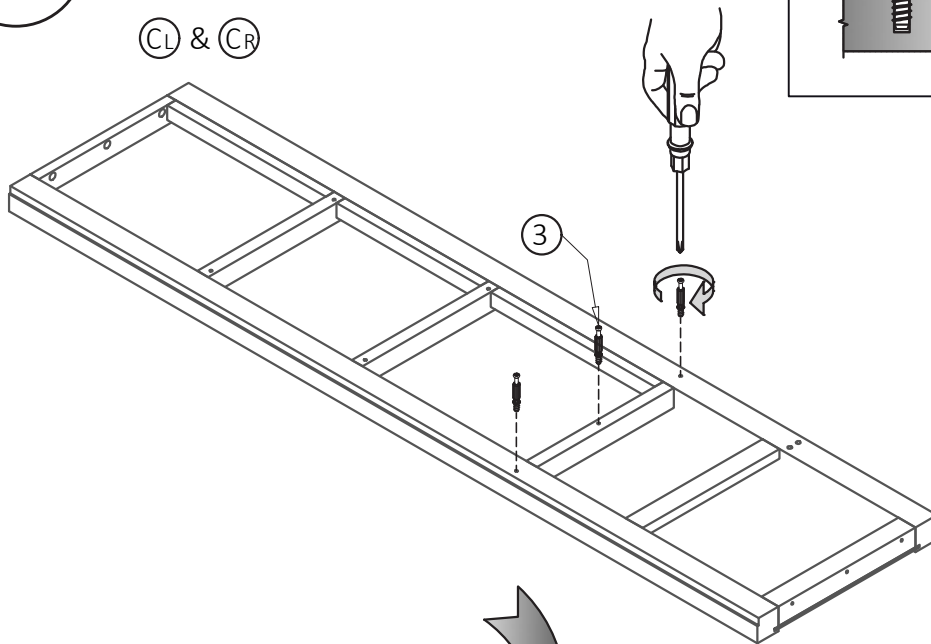
# BANAK

# TRIBECA

TR-0007

11

CL & CR

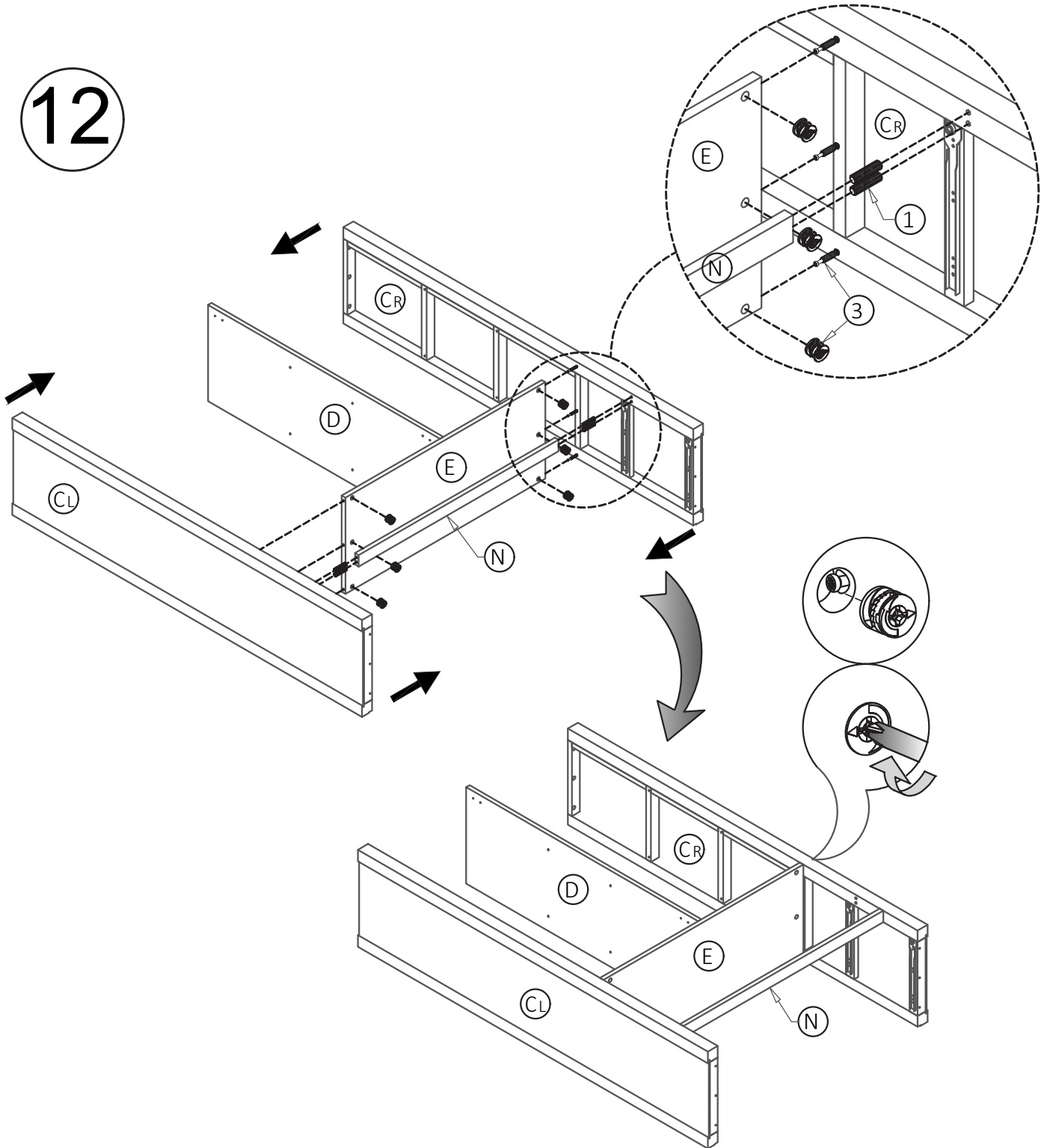


# BANAK

# TRIBECA

TR-0007

12

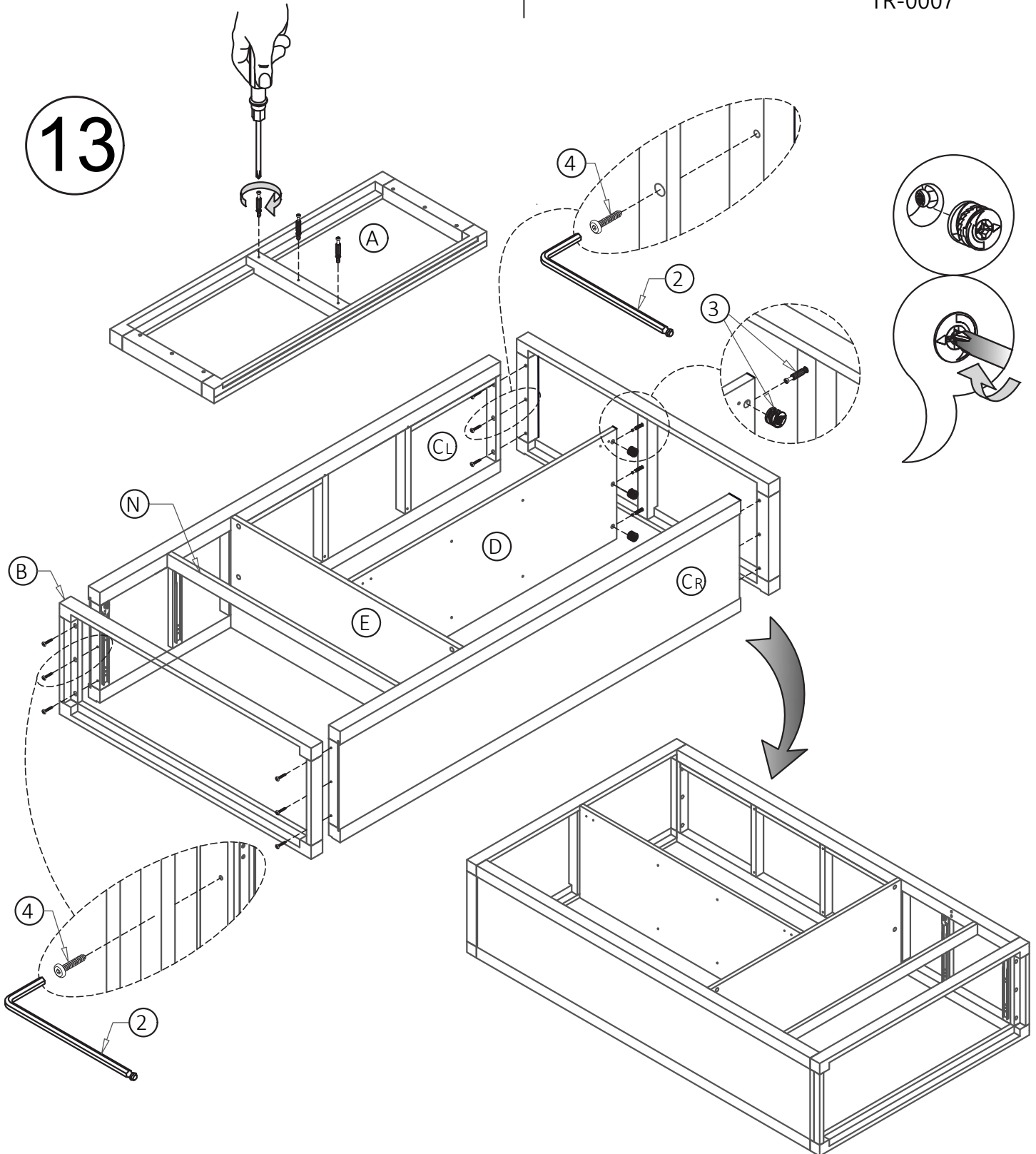


# BANAK

# TRIBECA

TR-0007

13

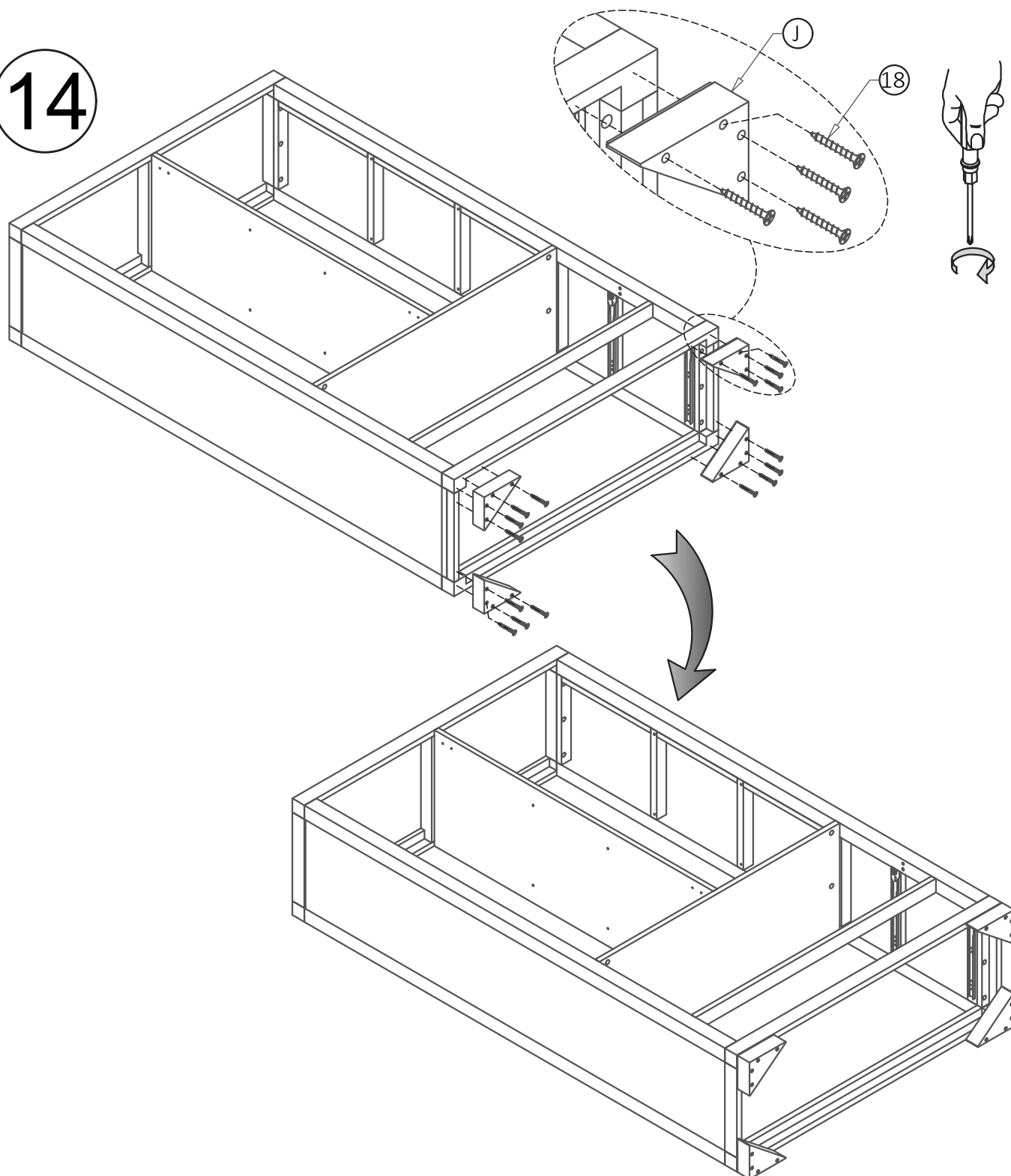


# BANAK

# TRIBECA

TR-0007

14

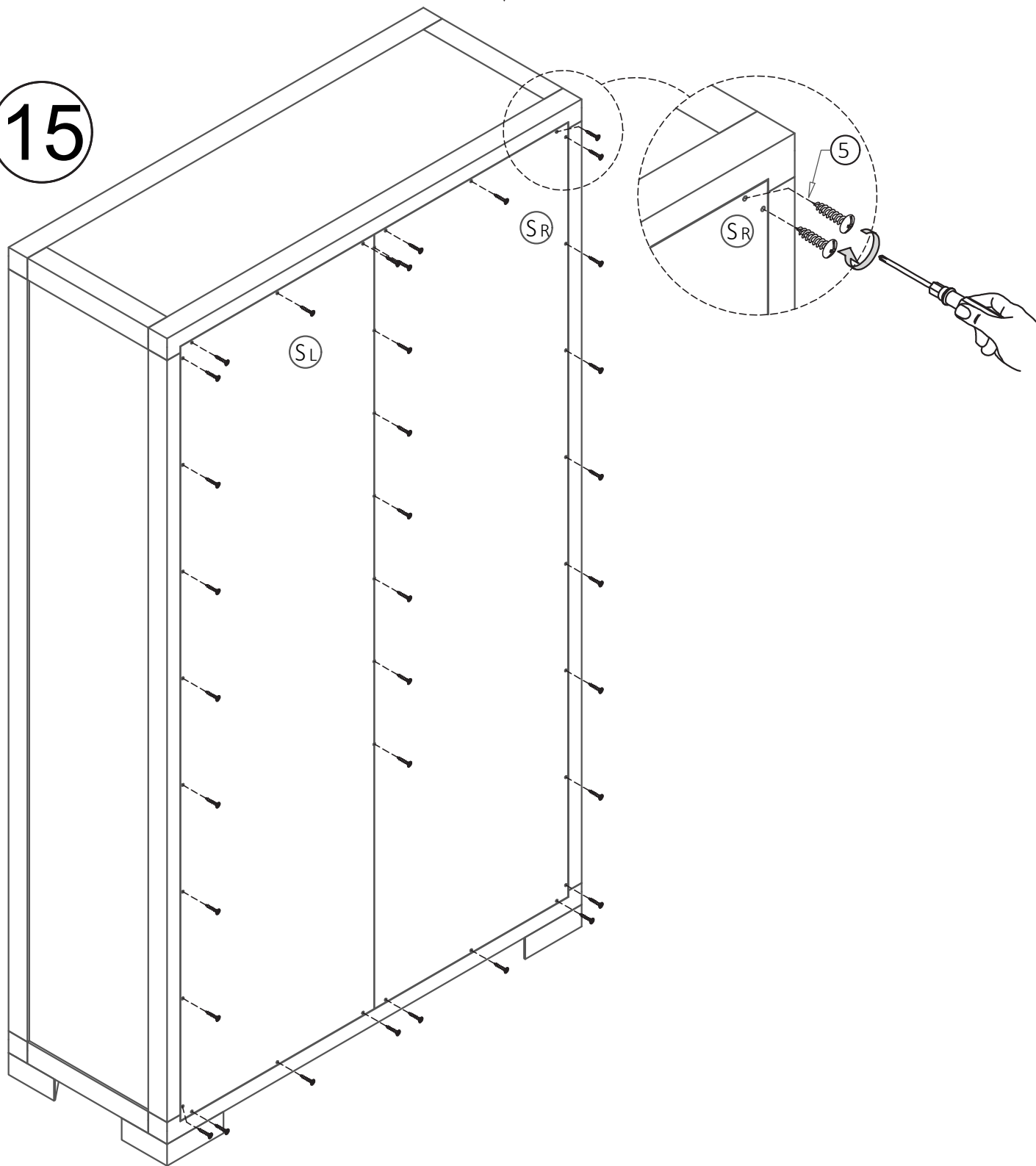


# BANAK

# TRIBECA

TR-0007

15



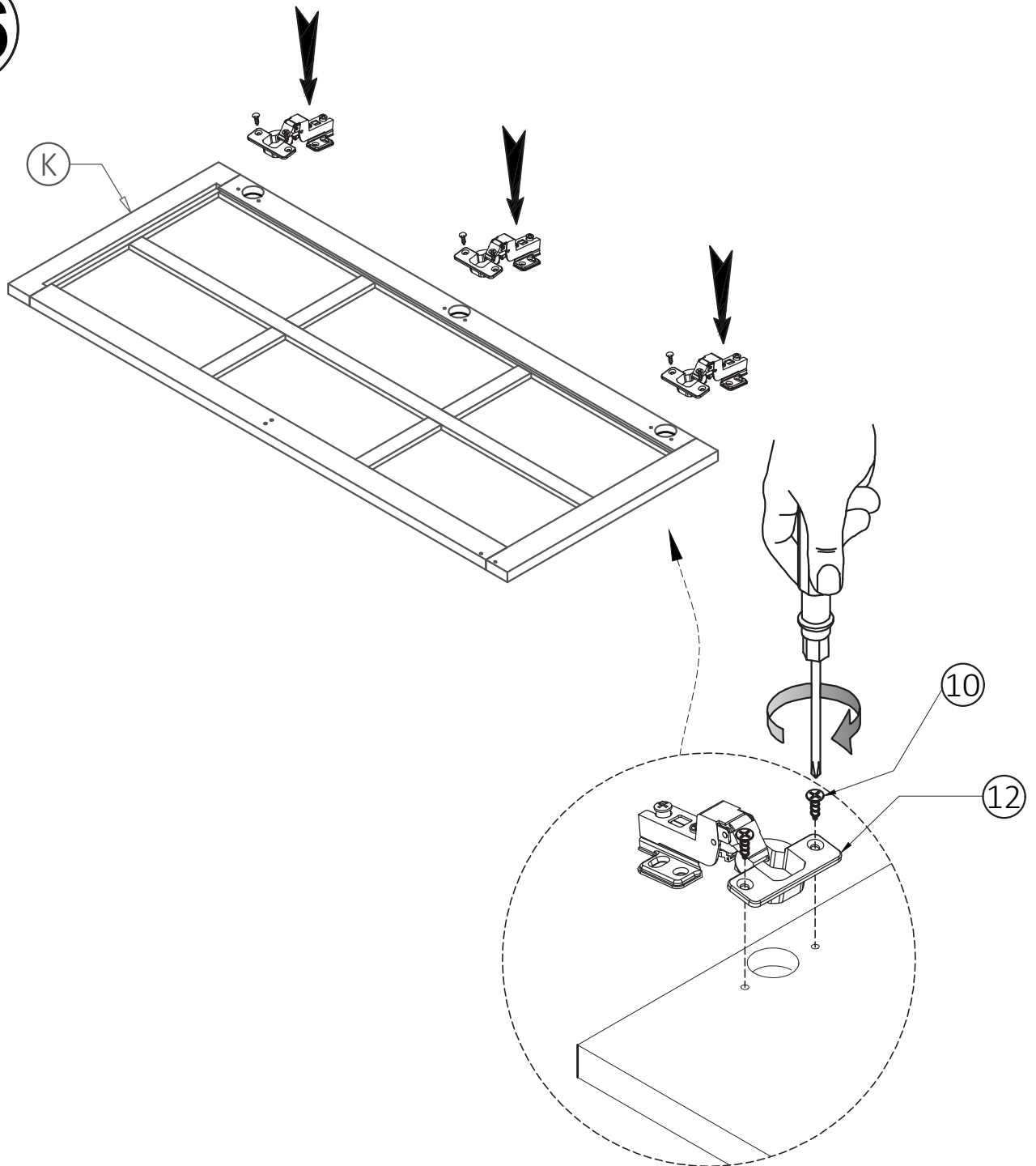


# BANAK

# TRIBECA

TR-0007

16

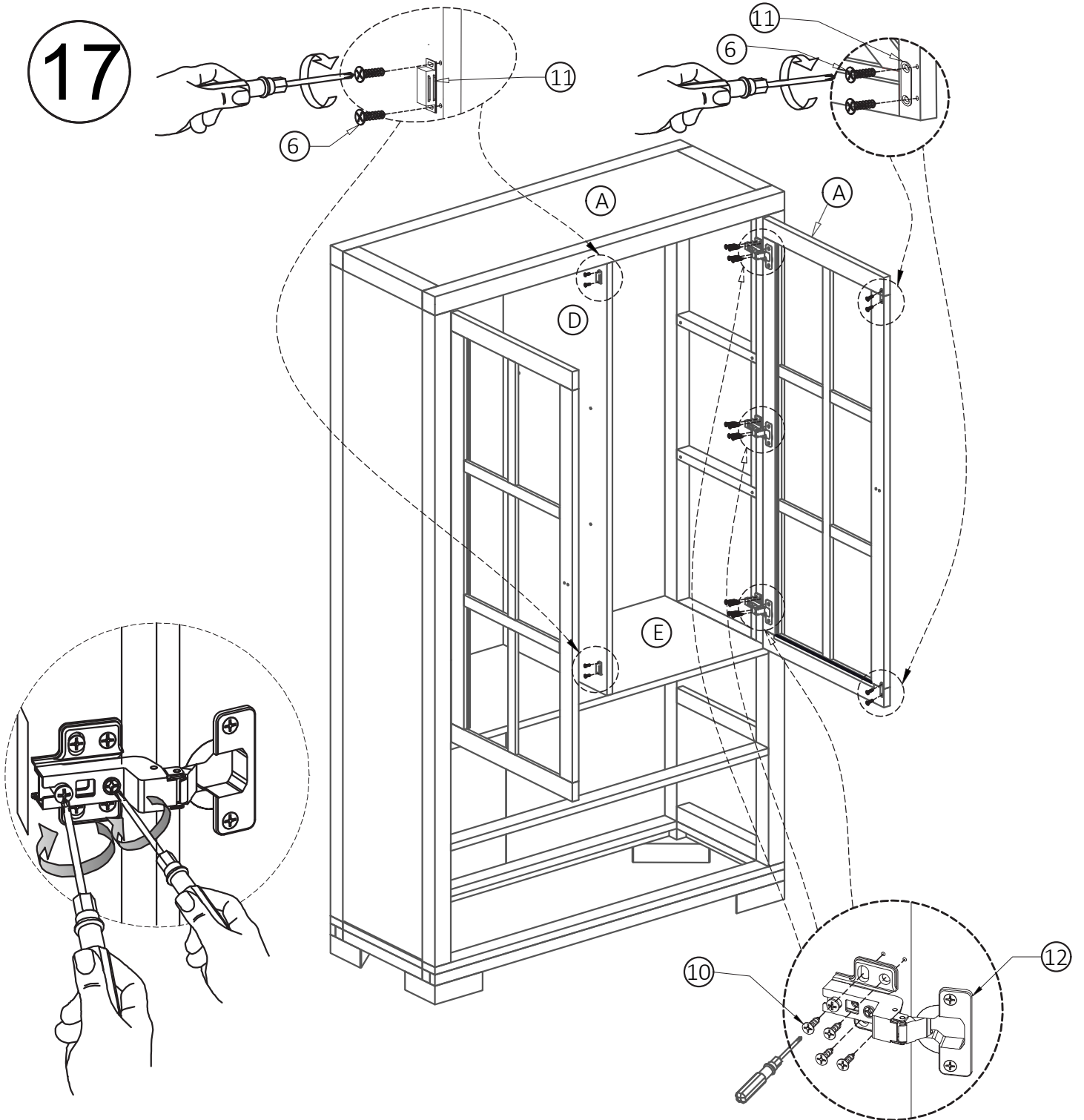


# BANAK

# TRIBECA

TR-0007

17

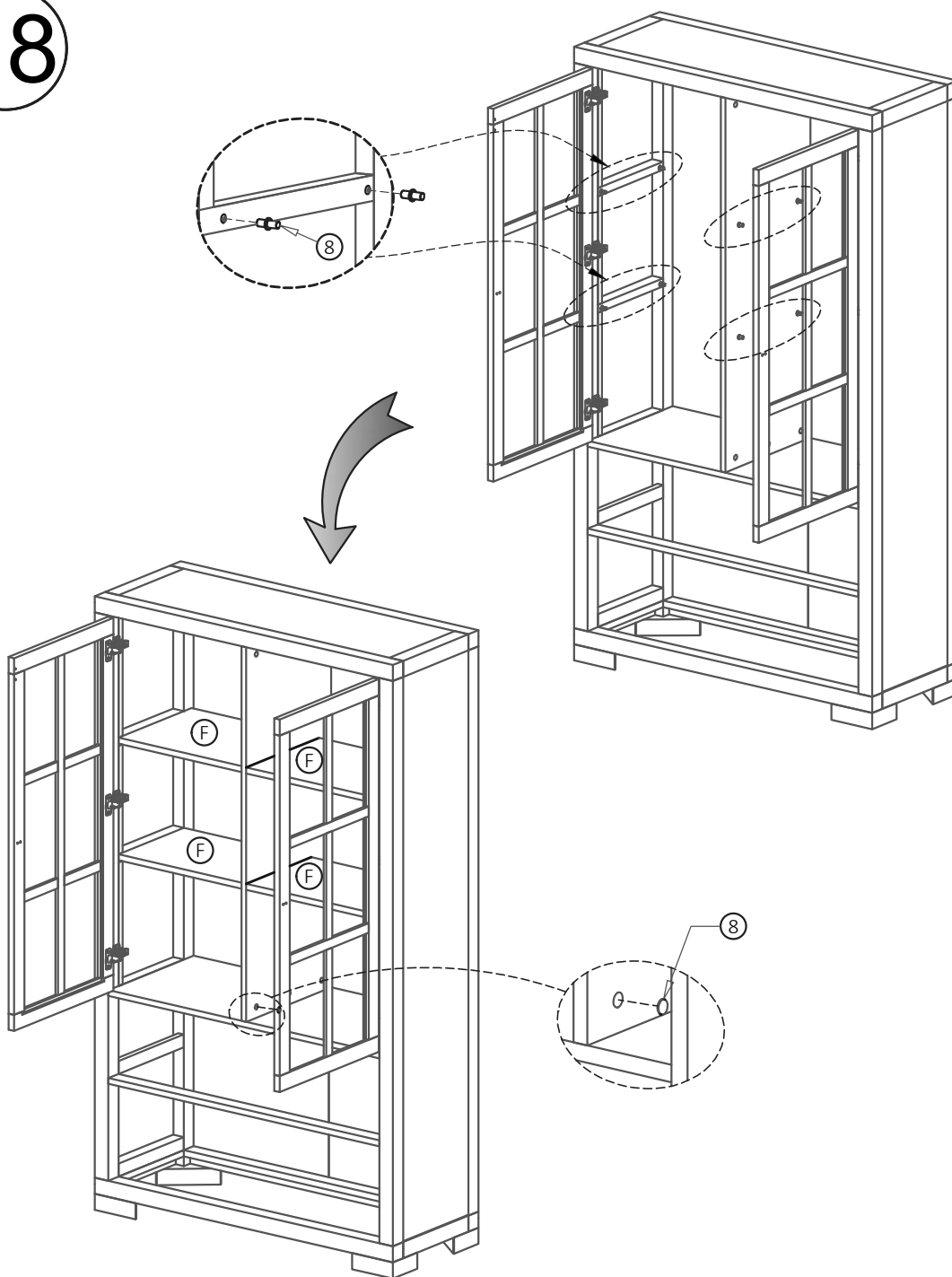


# BANAK

# TRIBECA

TR-0007

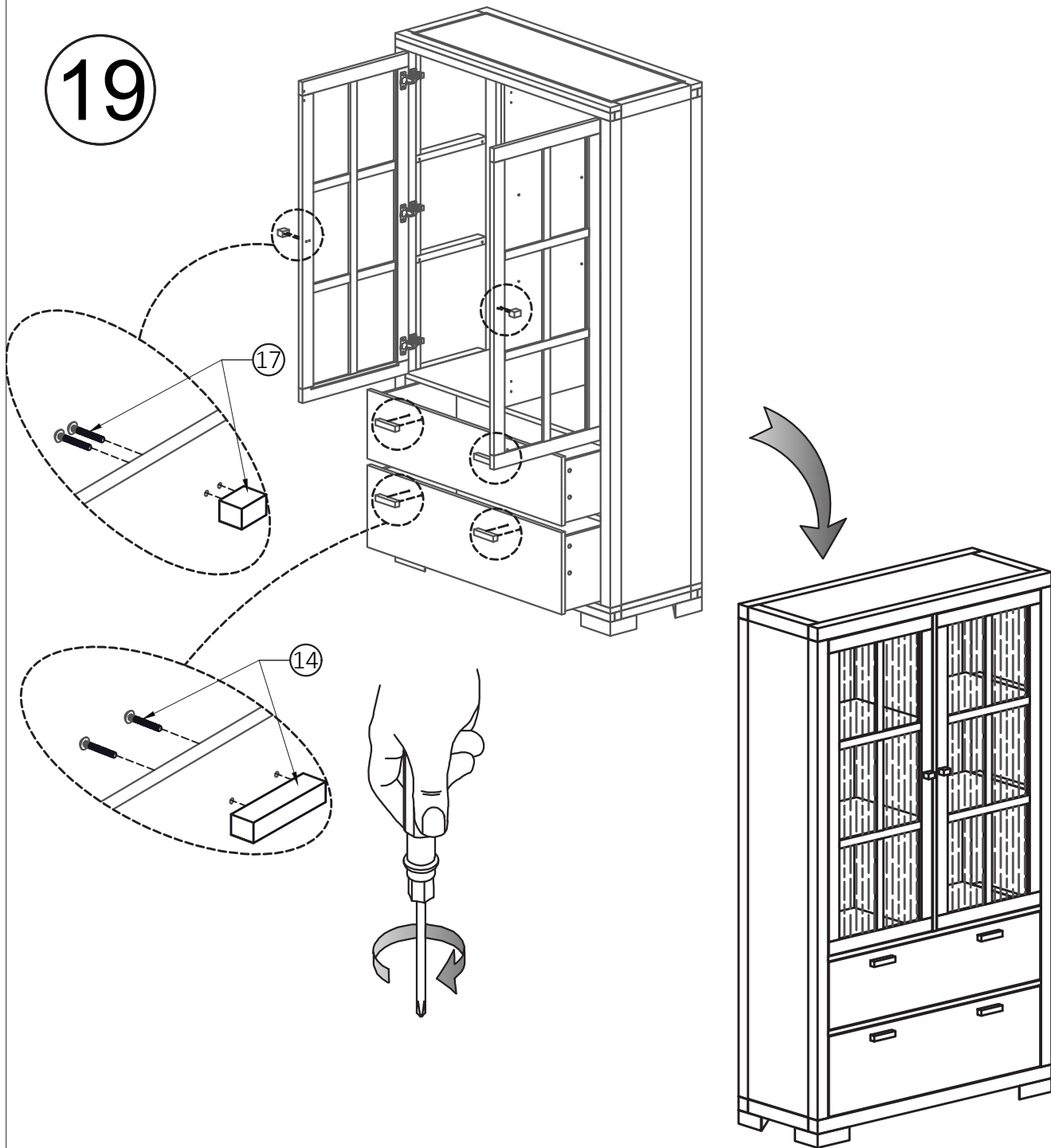
18



# BANAK

# TRIBECA

TR-0007



# BANAK

# TRIBECA

TR-0007

