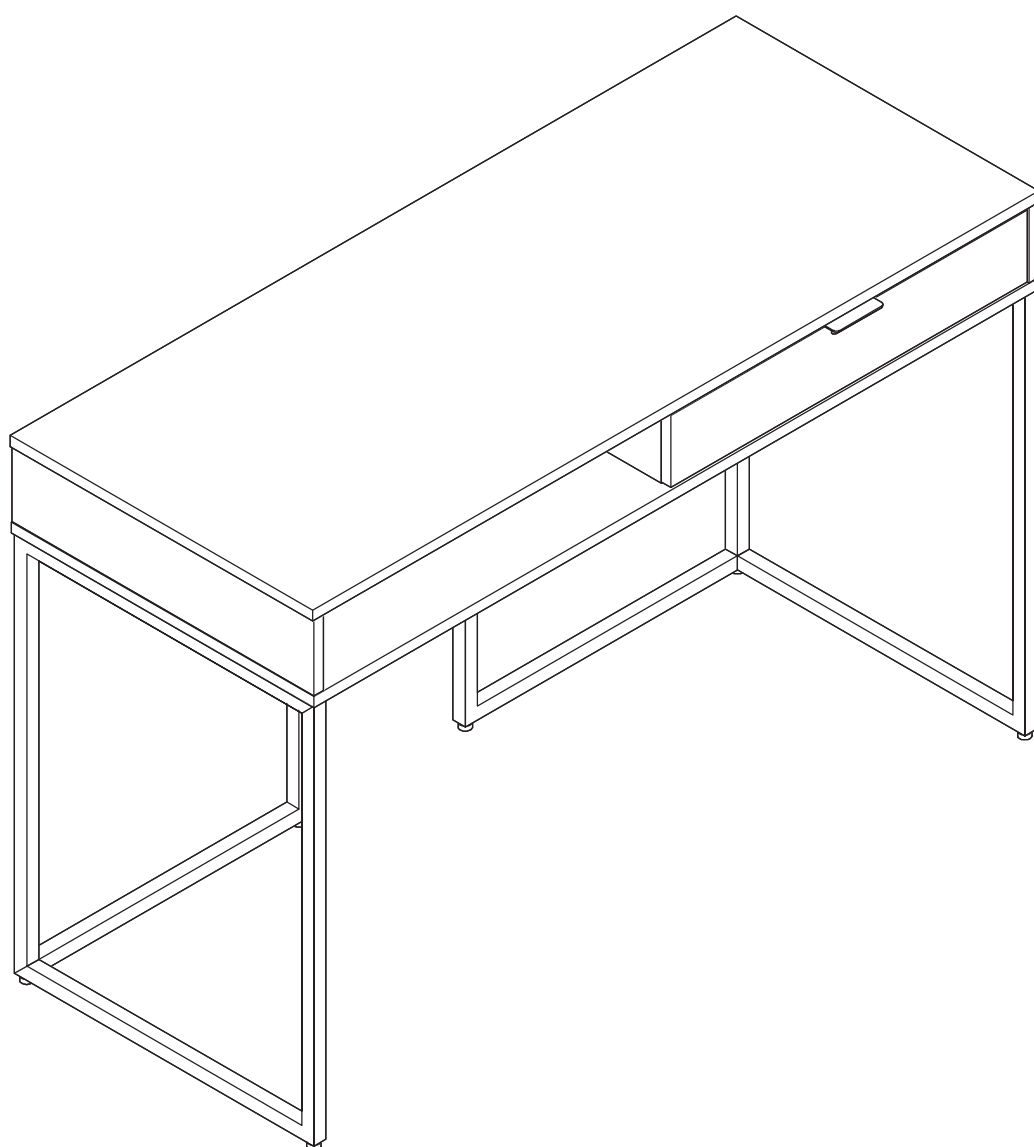


# BANAK

# GAUGUIN

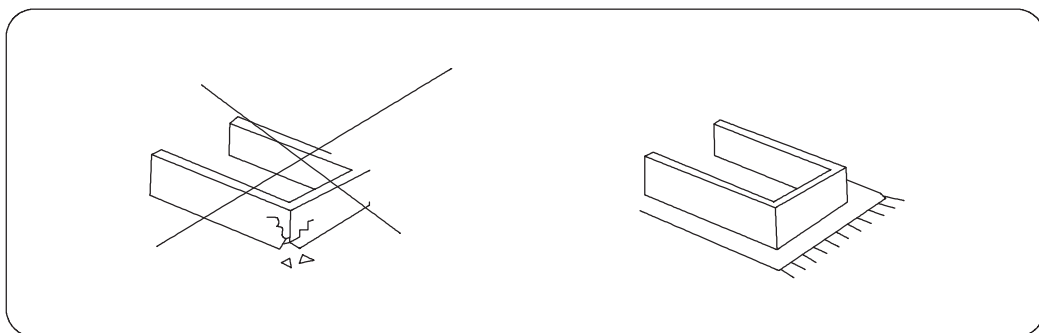
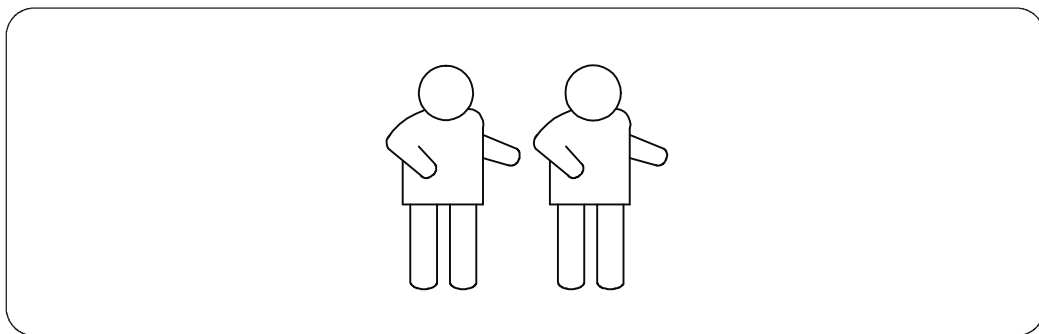
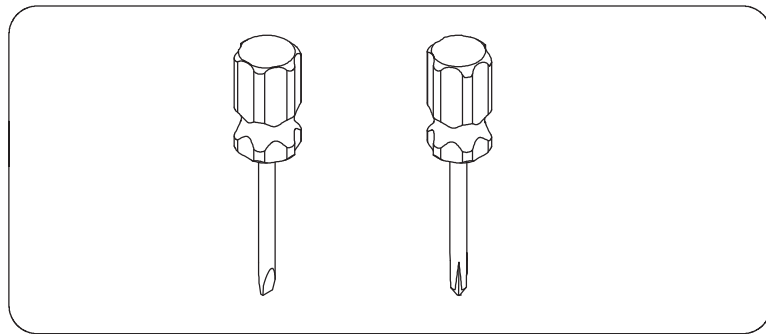
SC-0107



# BANAK

# GAUGUIN

SC-0107



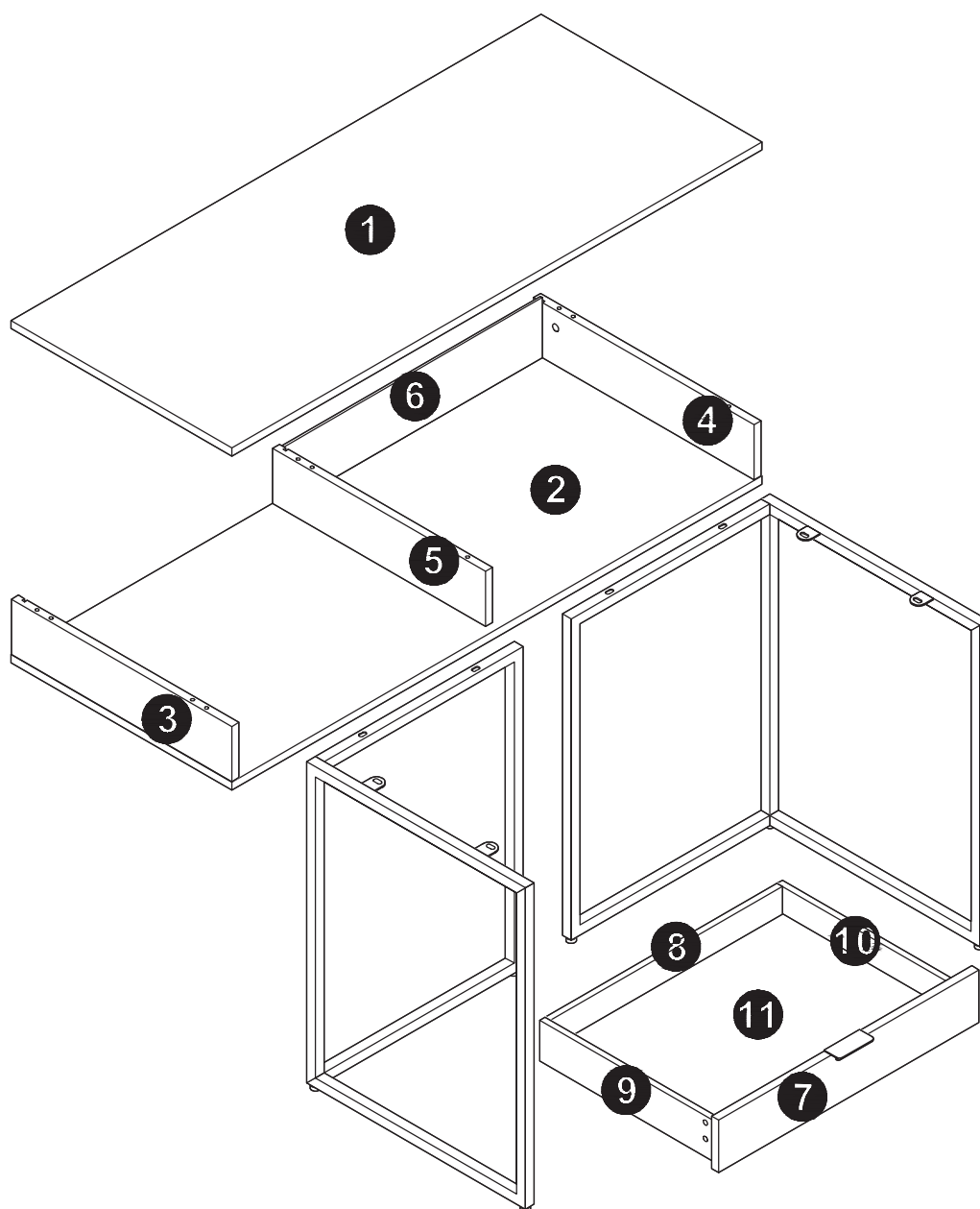
# BANAK

# GAUGUIN

SC-0107

1	1200*500*16	1
2	1200*500*16	1
3	108*499*16	1
4	108*499*16	1
5	108*482*16	1
6	118*585*5	1

7	589*103*16	1
8	525*80*12	1
9	400*80*12	1
10	400*80*12	1
11	535*398*5	1



# BANAK

# GAUGUIN

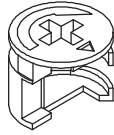
SC-0107



A=6



B=12



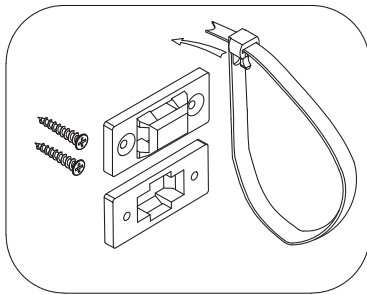
C=6



D=20



E=4



F=1



M6\*16

G1=8

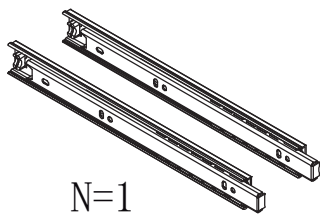
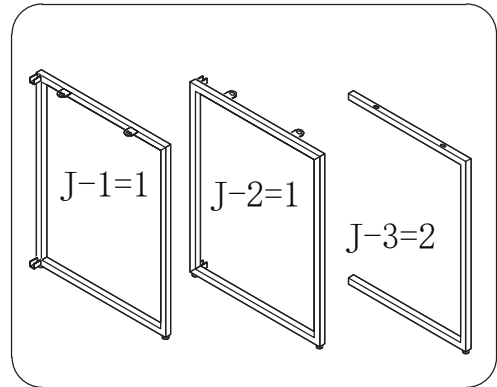


M6\*30

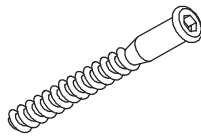
G2=4



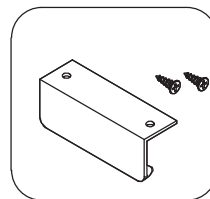
H=1



N=1



Q=6



U=1



Z1=4



Z2=4



O=8



P=8



M3.5\*12

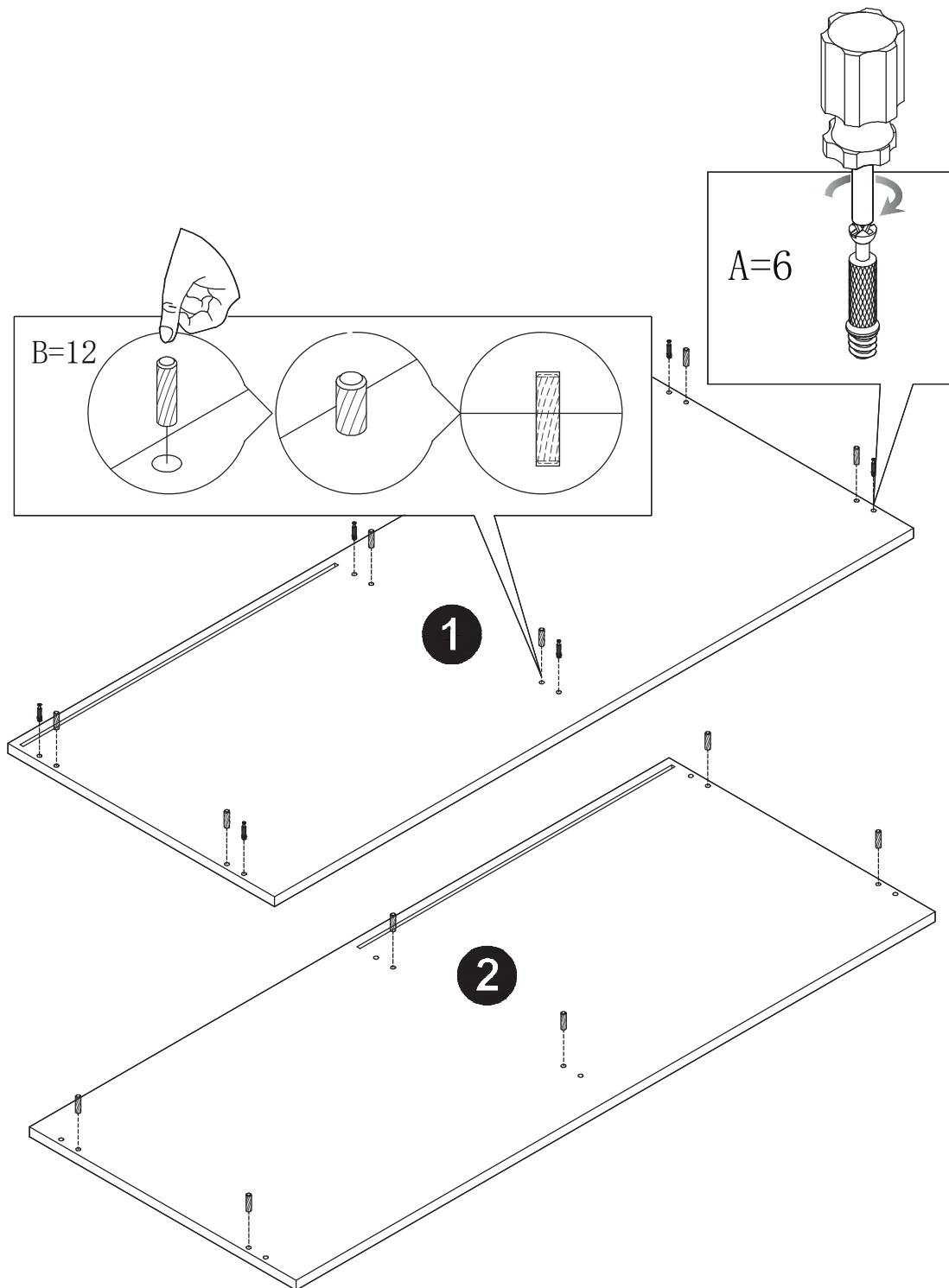
V1=8

# BANAK

# GAUGUIN

SC-0107

1

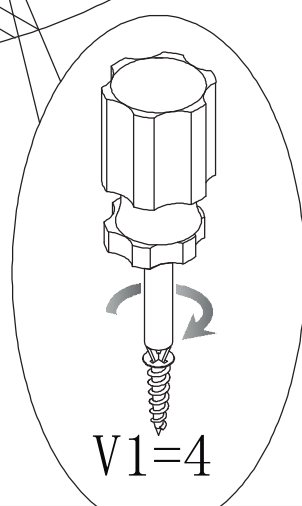
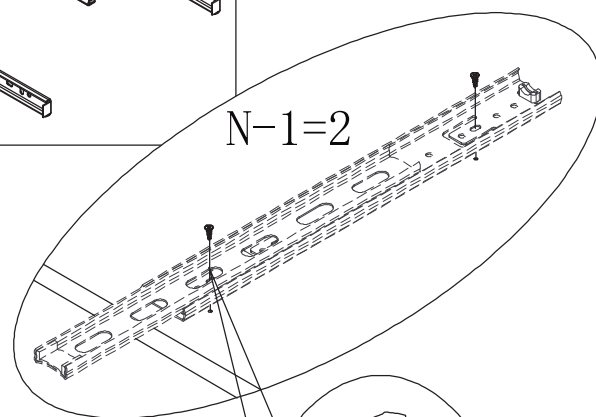
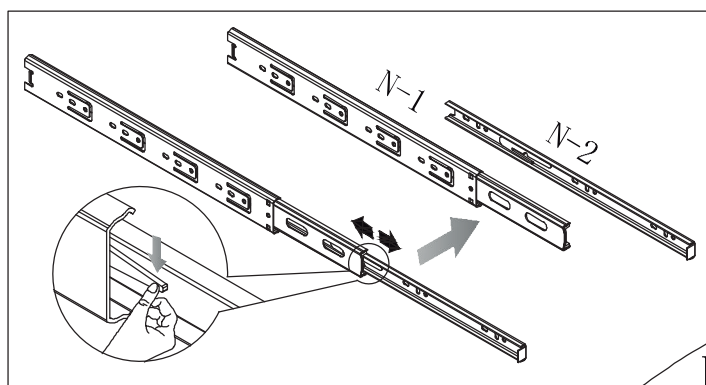


# BANAK

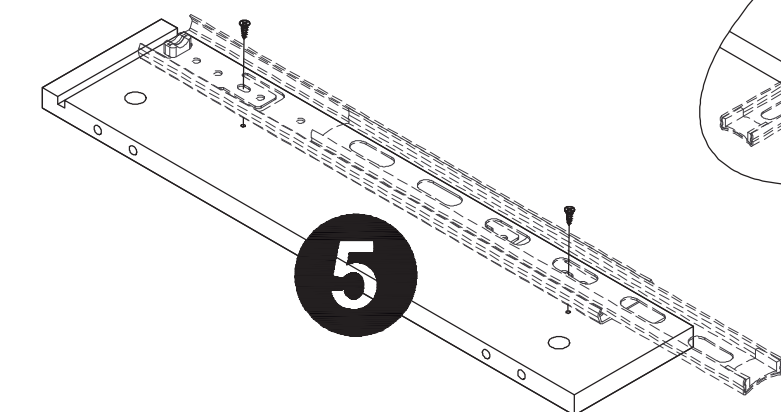
# GAUGUIN

SC-0107

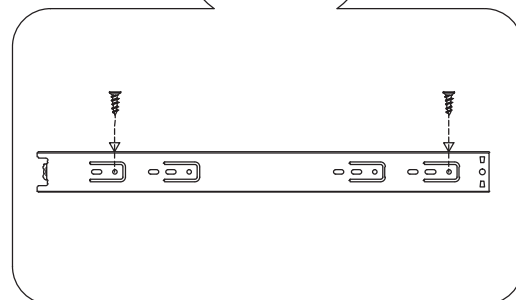
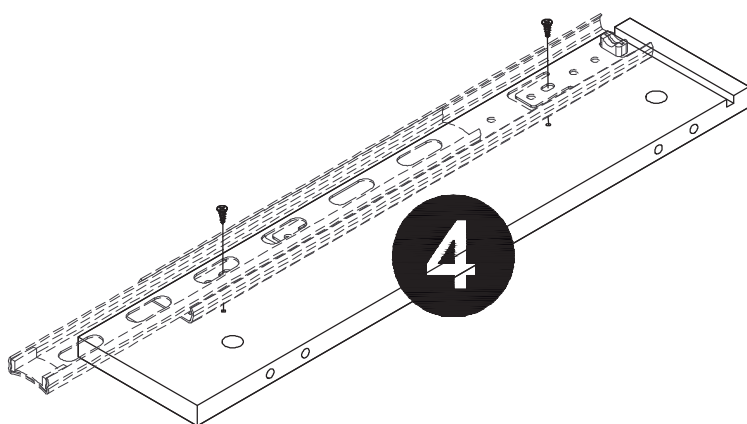
2



5



4

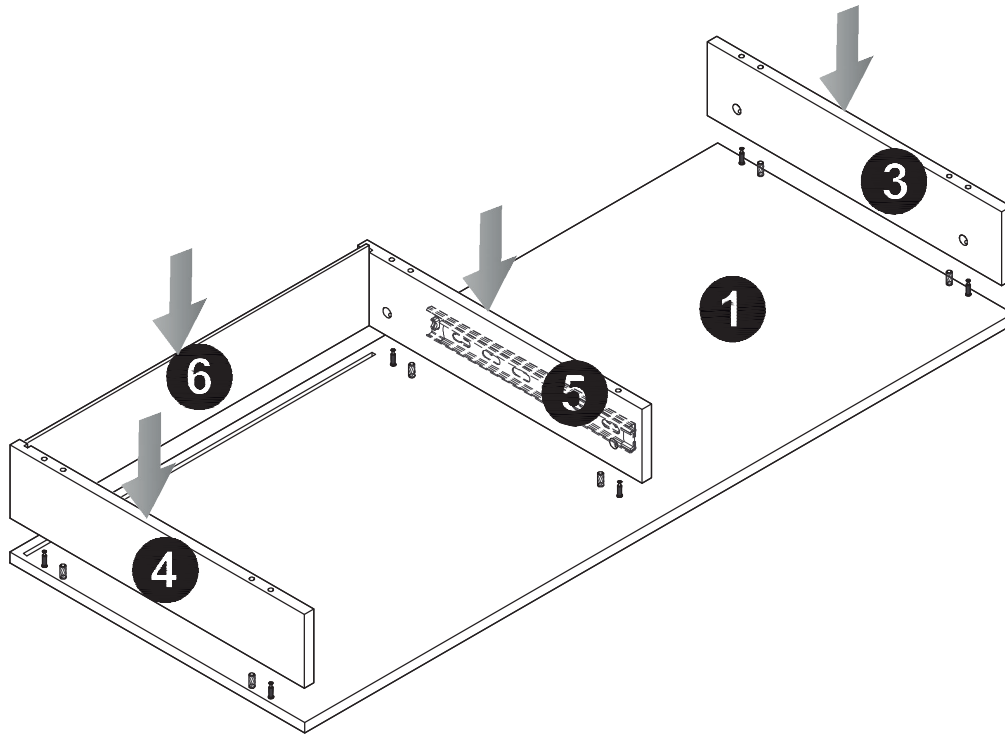


# BANAK

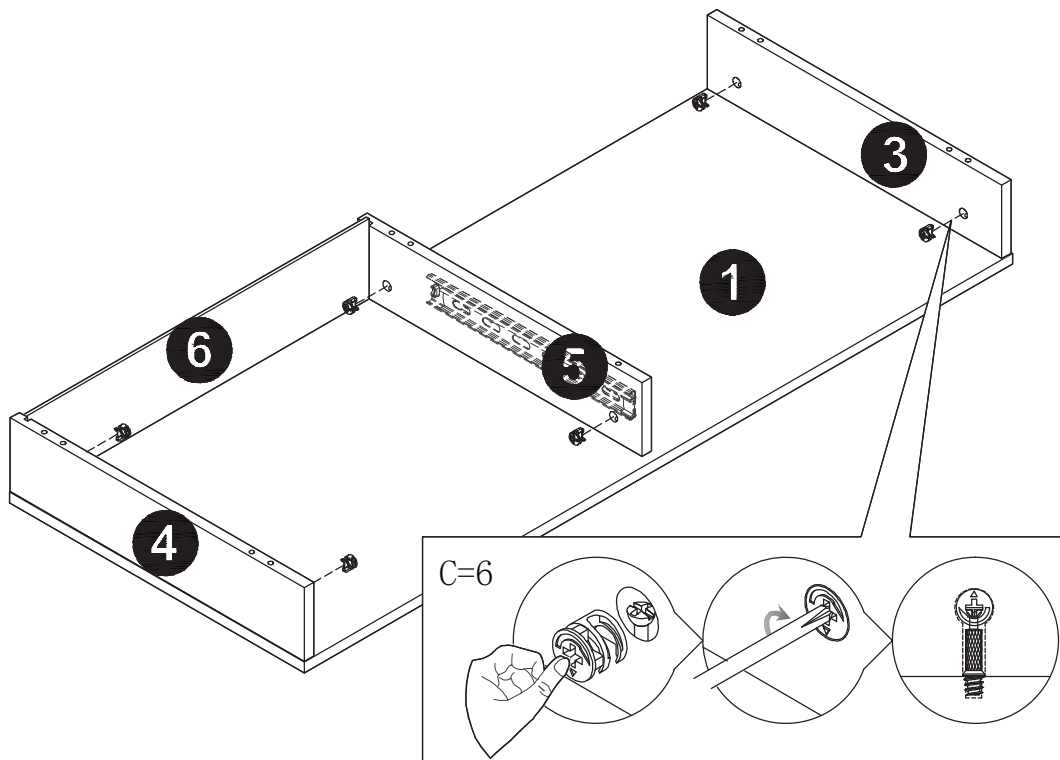
# GAUGUIN

SC-0107

③



④

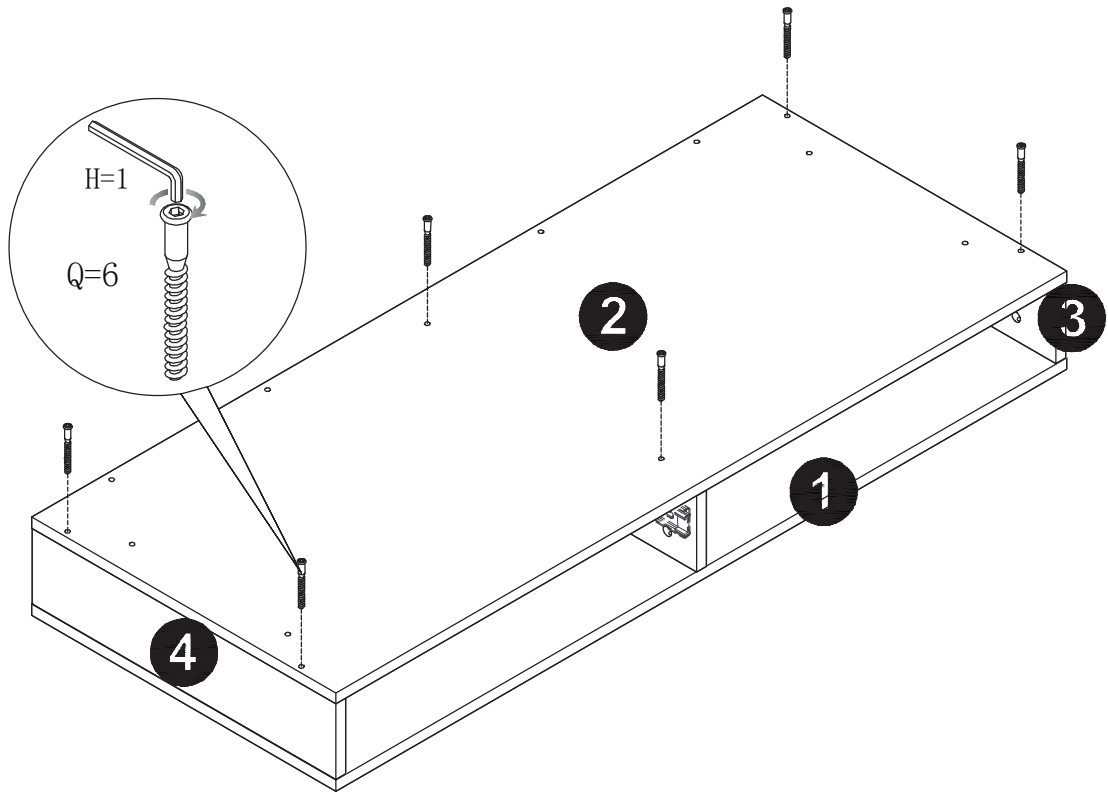


# BANAK

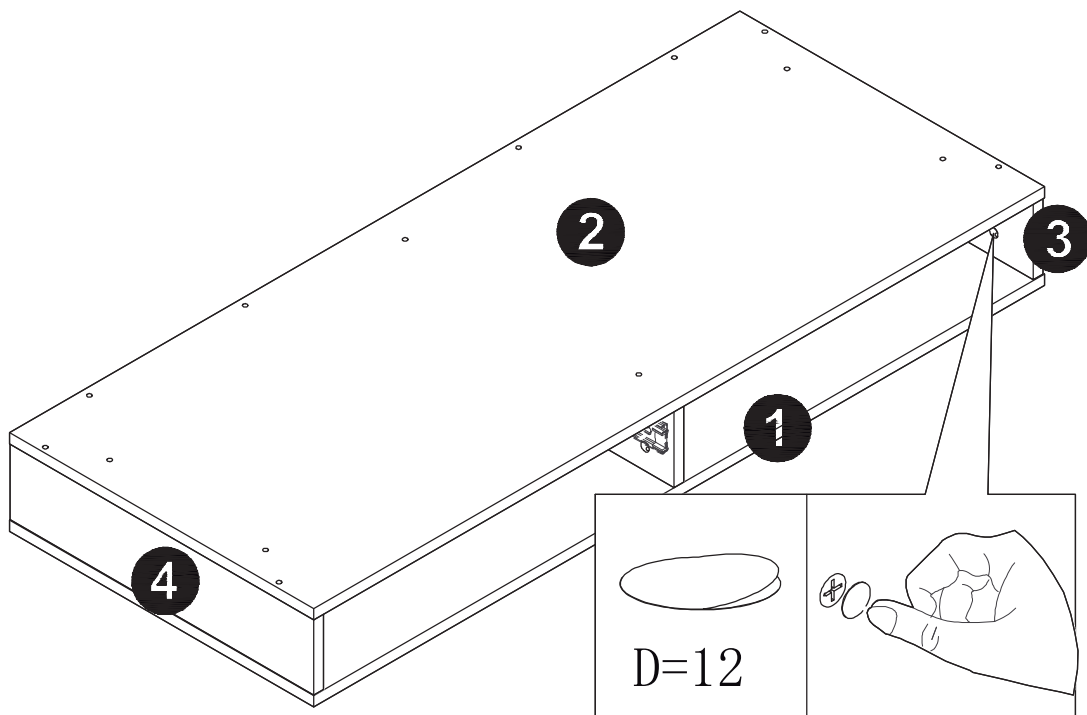
# GAUGUIN

SC-0107

5



6



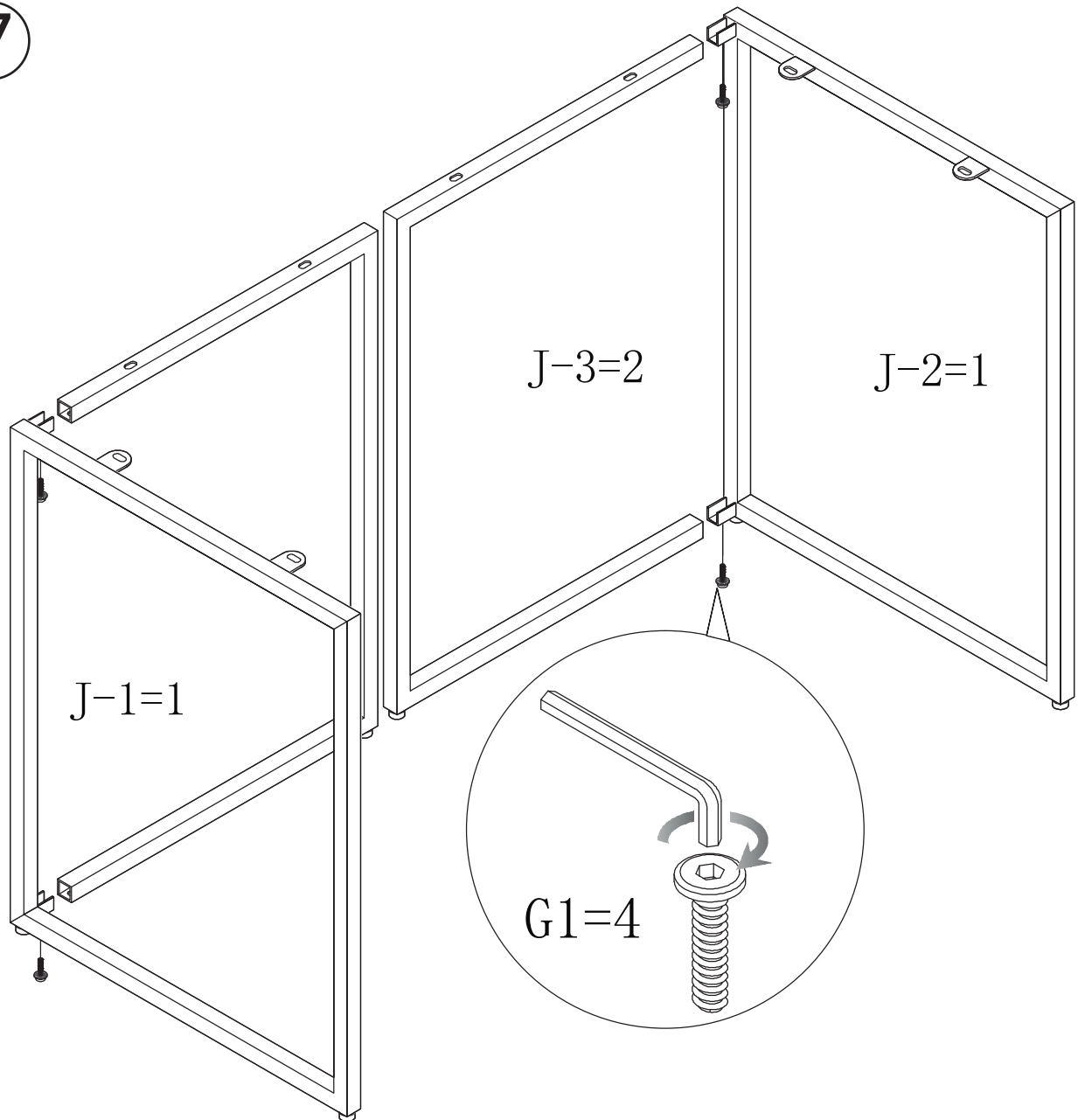


# BANAK

# GAUGUIN

SC-0107

7

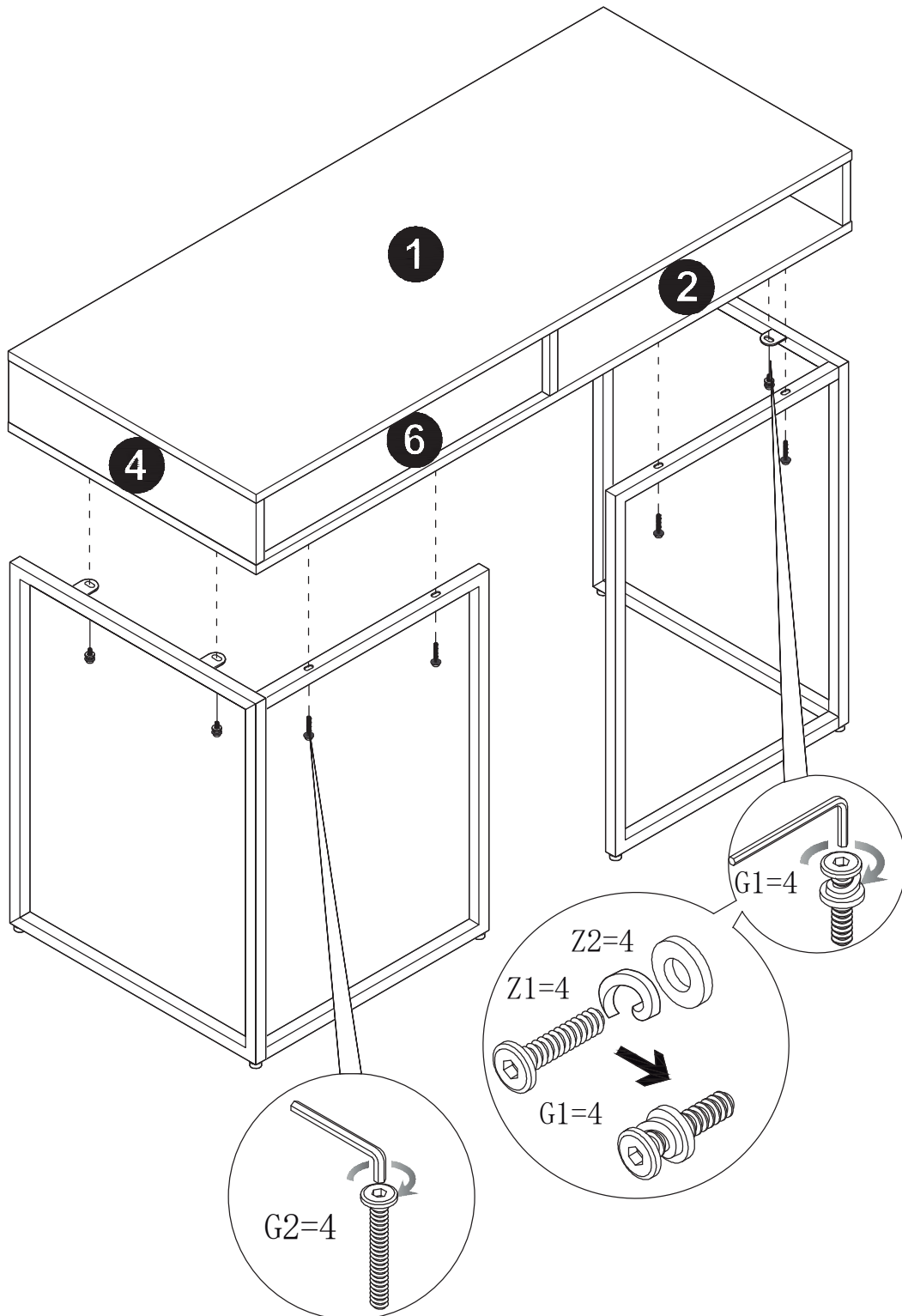


# BANAK

# GAUGUIN

SC-0107

8



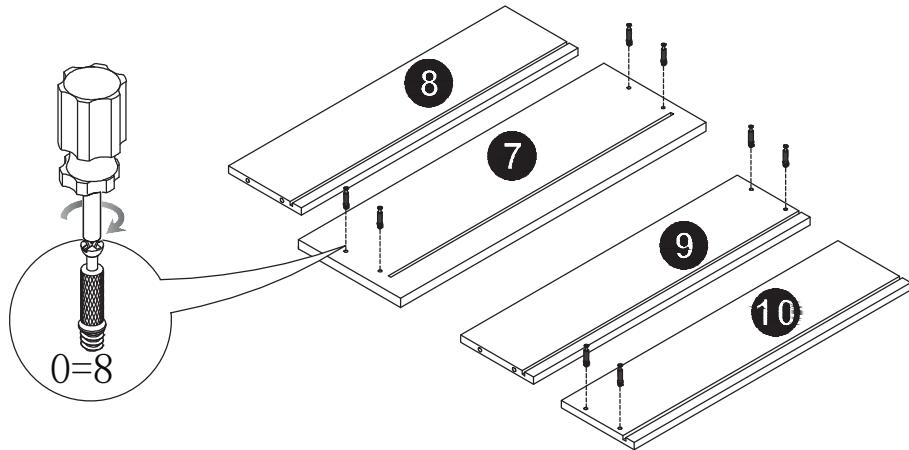
# BANAK

# GAUGUIN

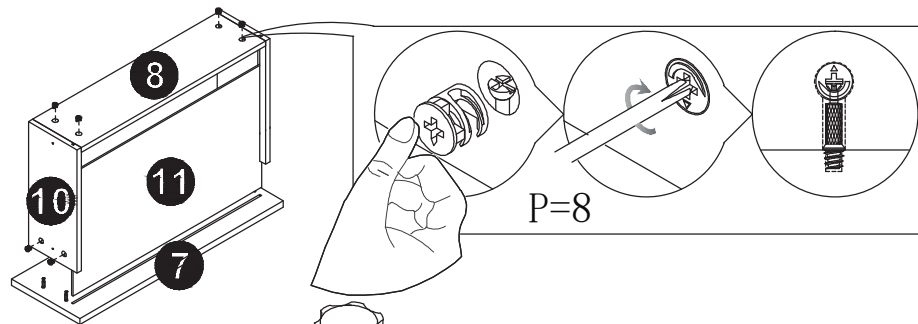
SC-0107

9

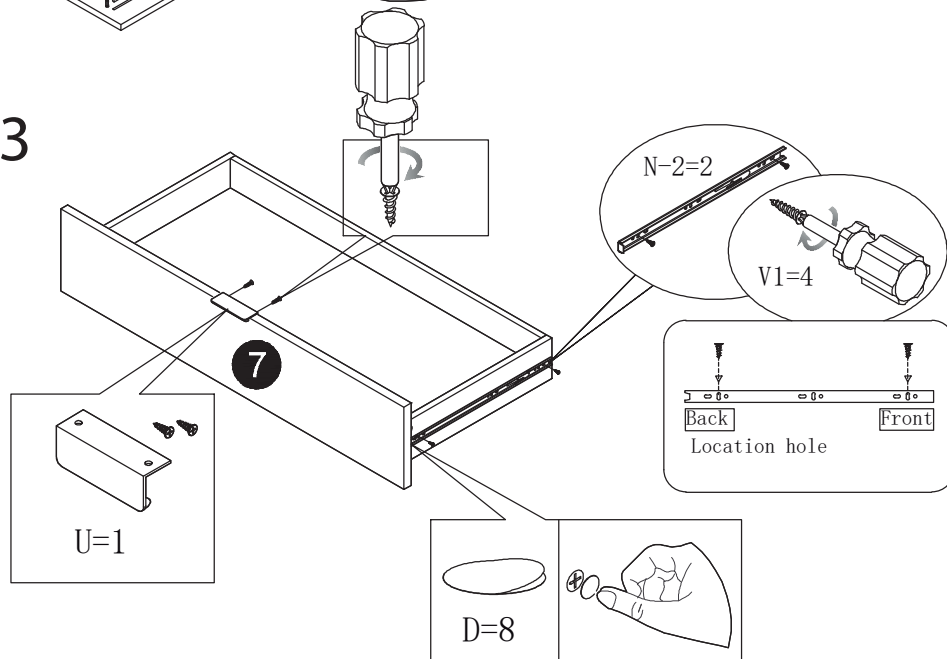
9.1



9.2



9.3

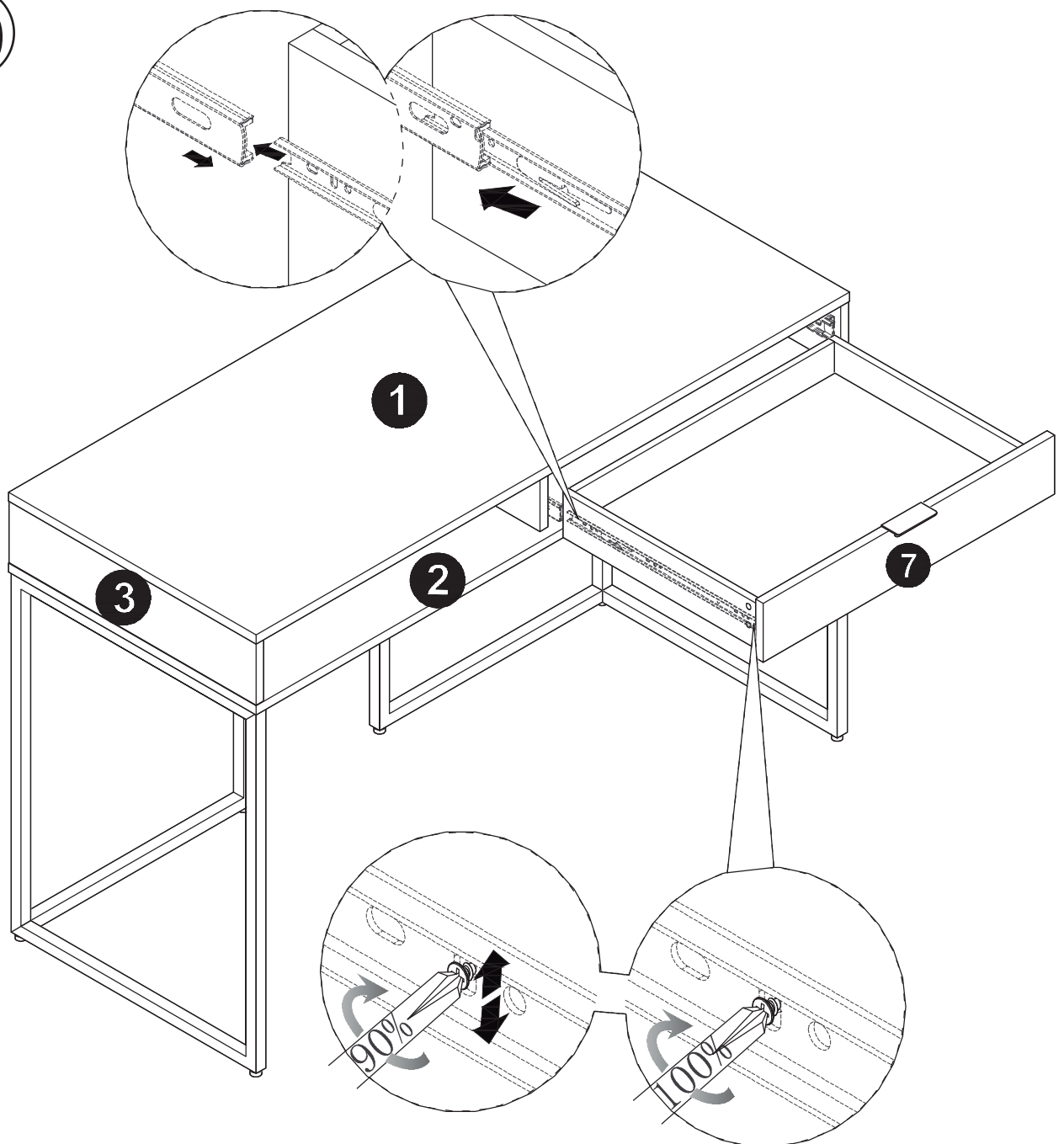


# BANAK

# GAUGUIN

SC-0107

10

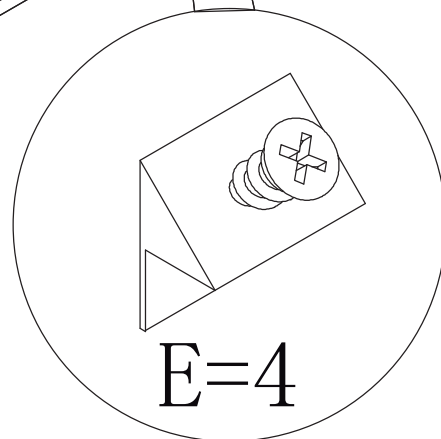
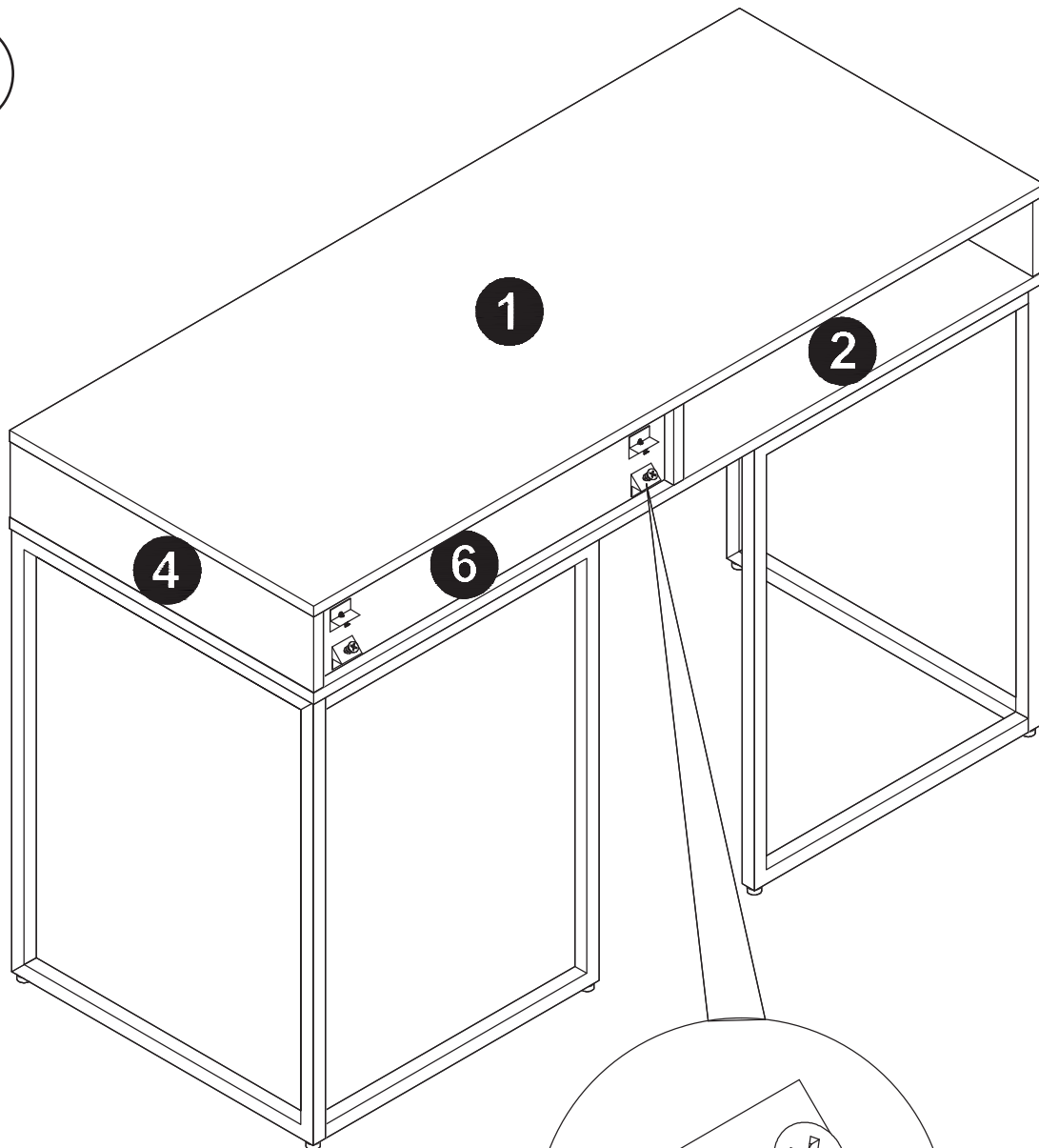


# BANAK

# GAUGUIN

SC-0107

11

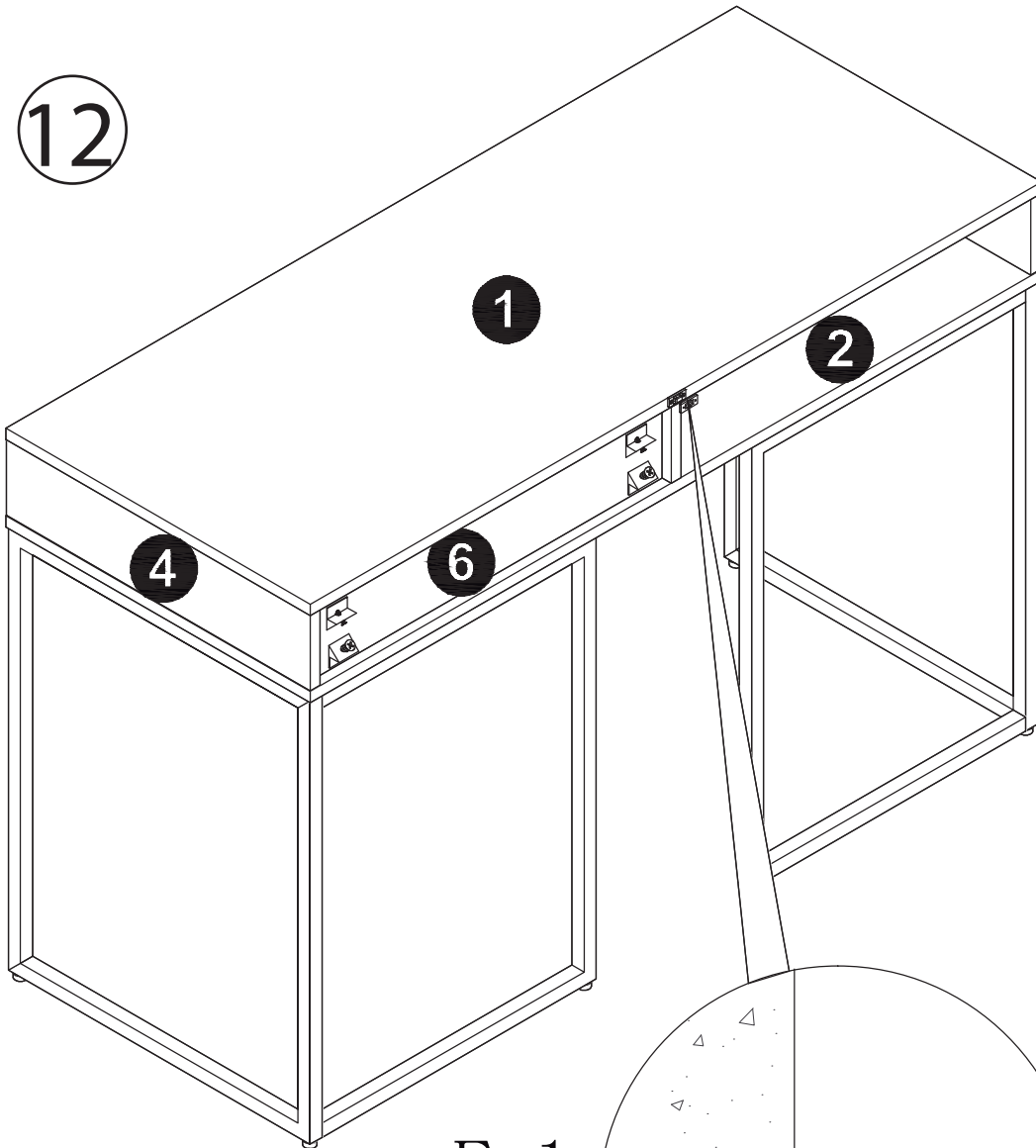


# BANAK

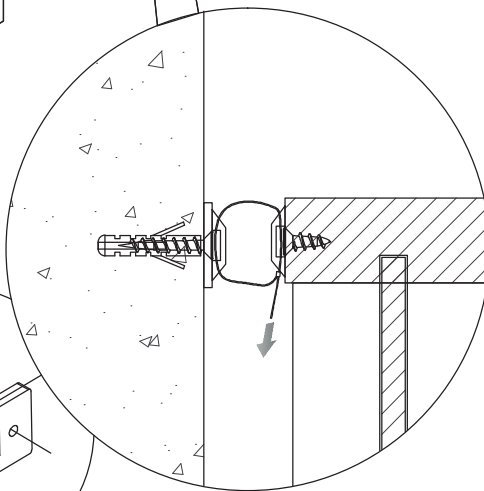
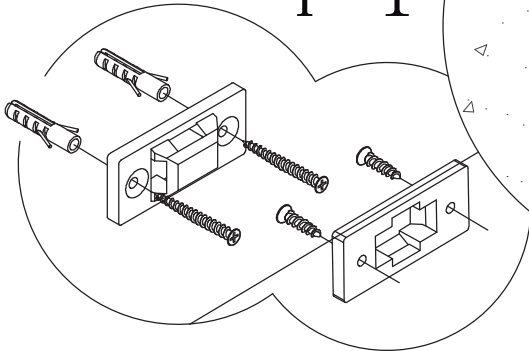
# GAUGUIN

SC-0107

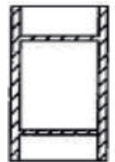
12



F=1



X



X



✓