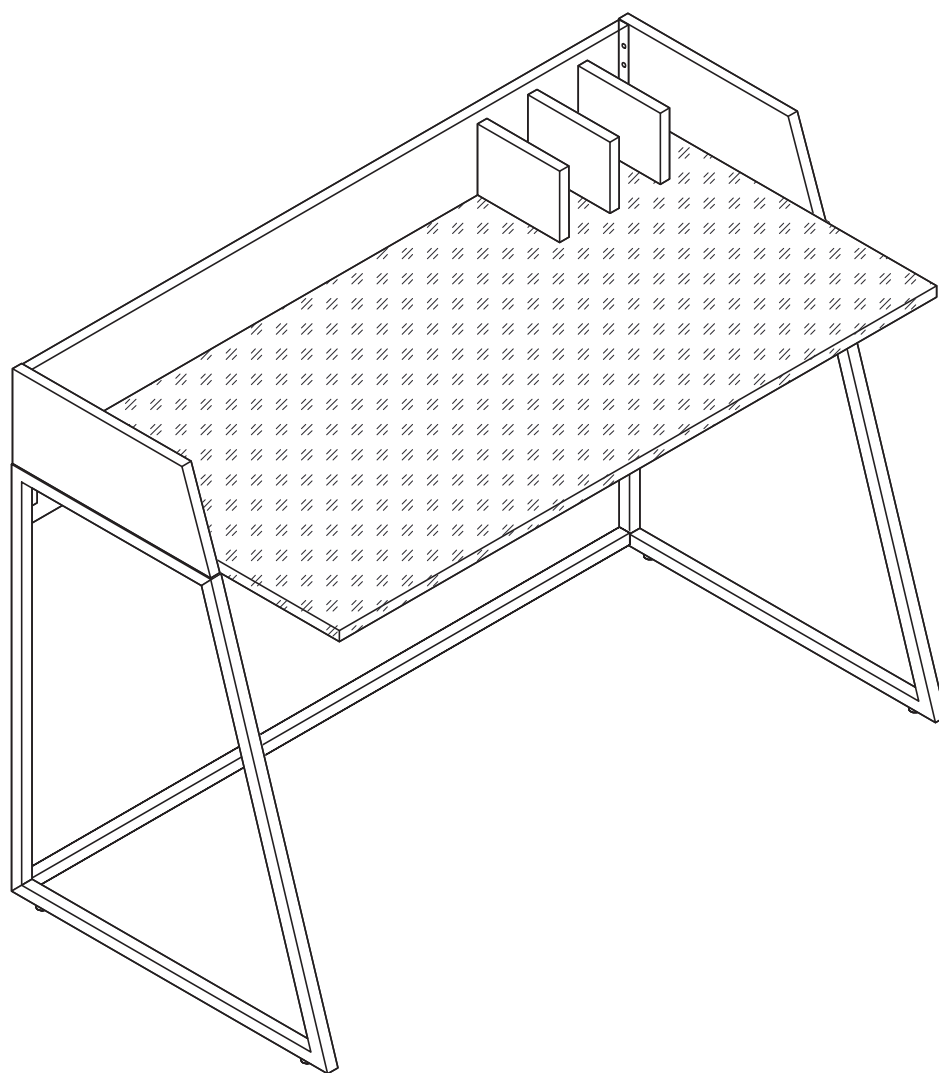


BANAK

MONET

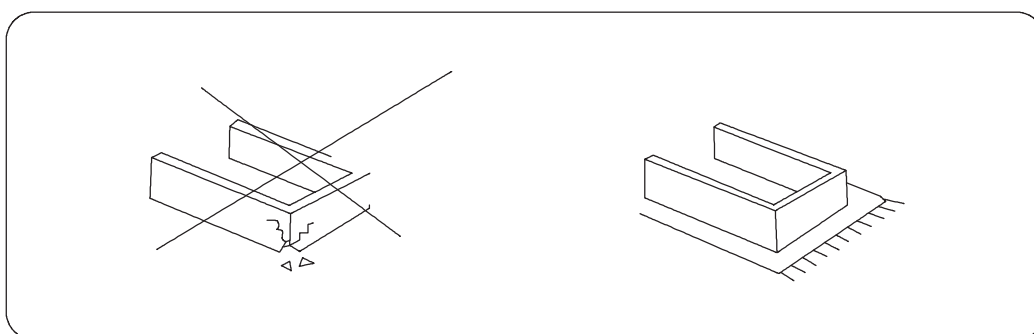
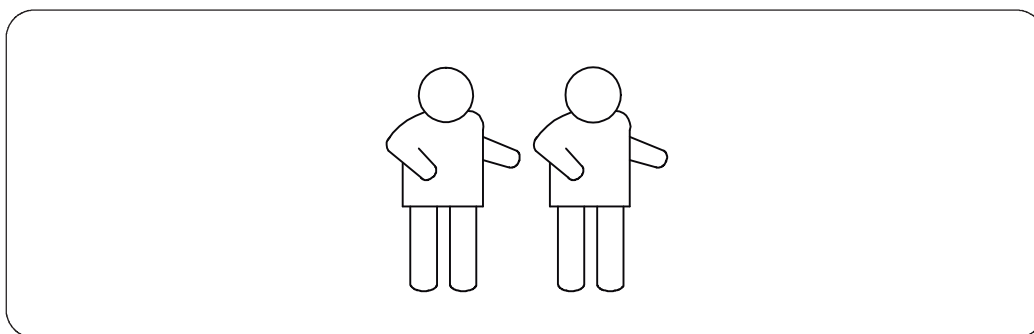
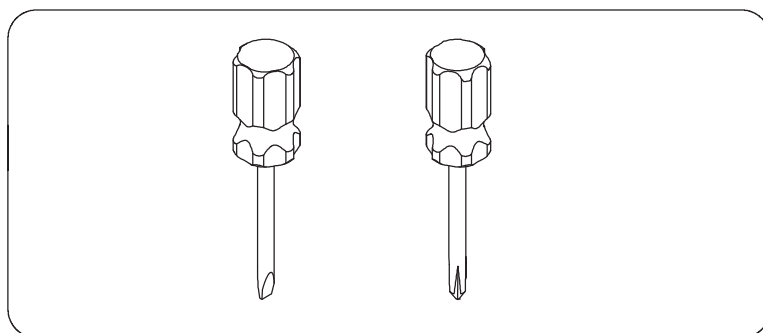
SC-0108



BANAK

MONET

SC-0108

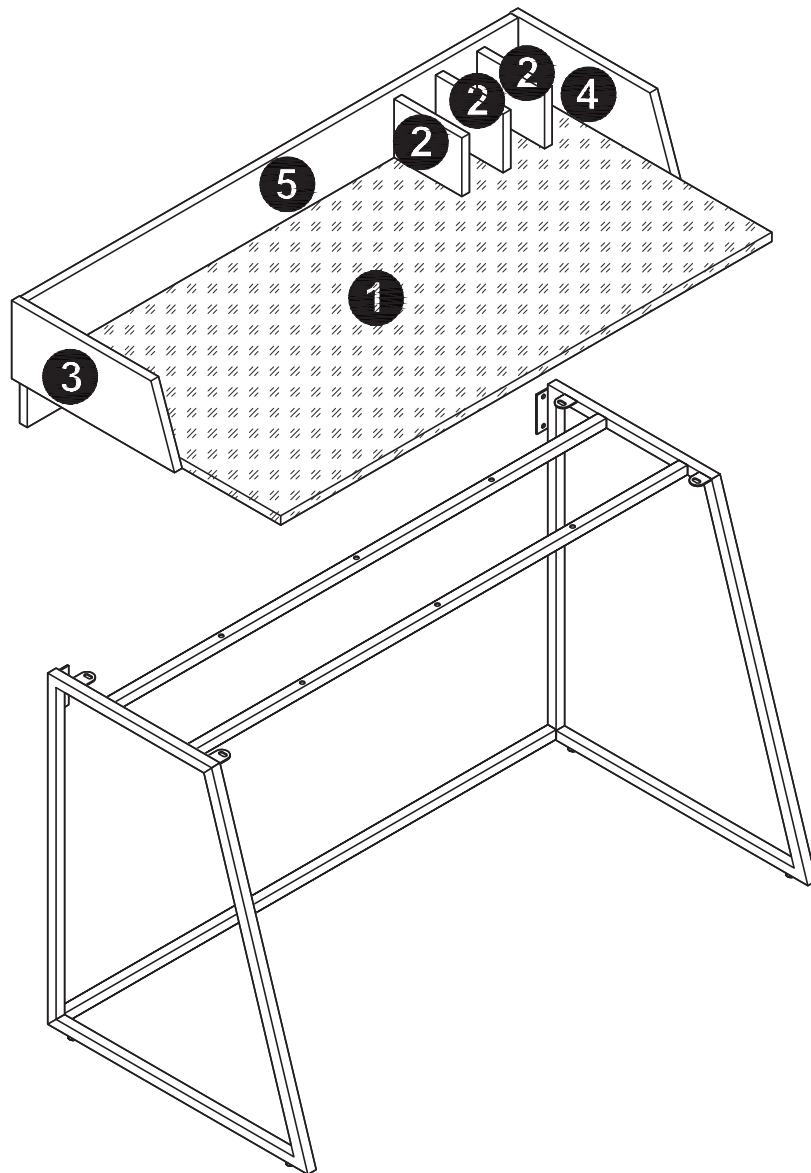


BANAK

MONET

SC-0108

1	1154*600*18	1
2	120*160*18	3
3	160*386*18	1
4	160*386*18	1
5	1154*279*18	1



BANAK

MONET

SC-0108



A=8



B=8



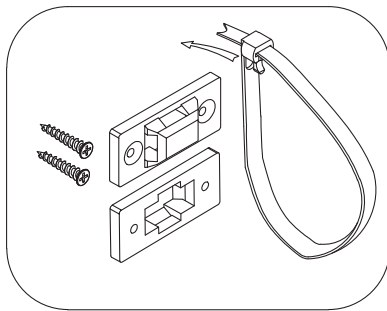
C=8



D1=4



D2=4



F=1



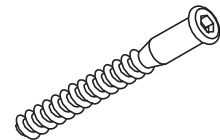
M6*16

G1=20



M6*30

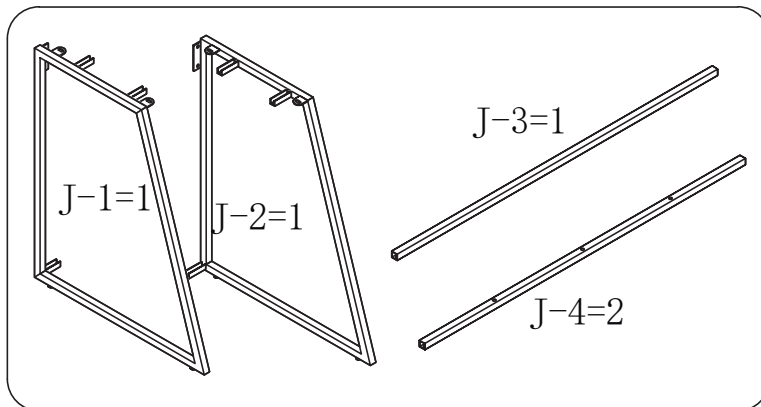
G2=6



Q=10



H=1

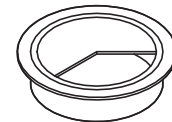


J-1=1

J-2=1

J-3=1

J-4=2



Y=1



Z1=8



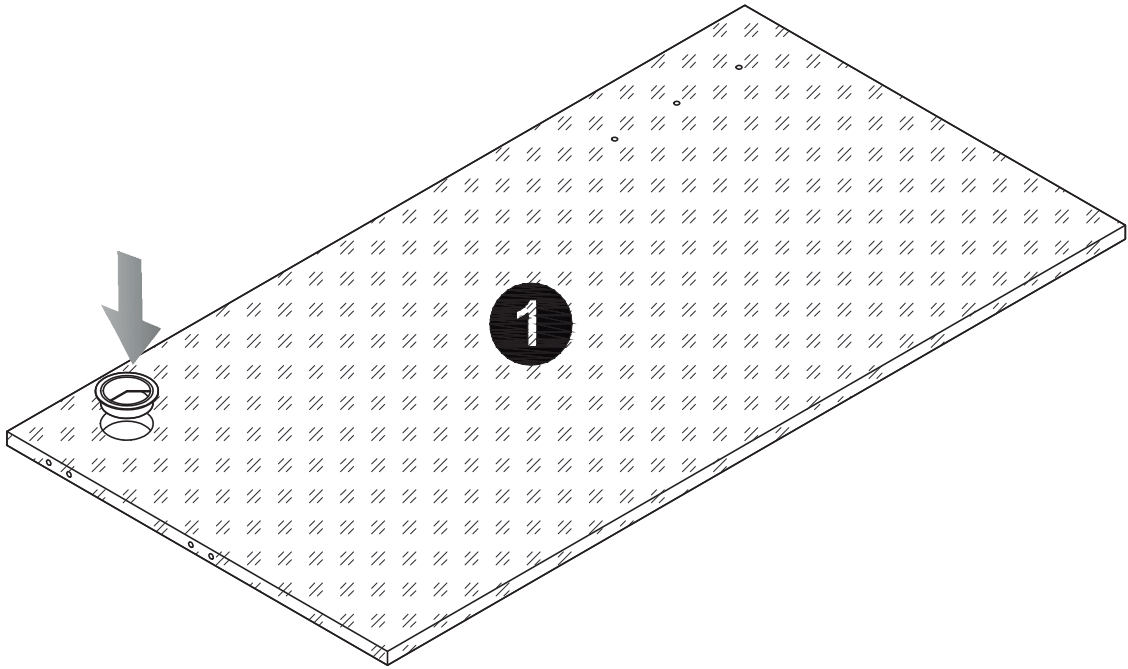
Z2=8

BANAK

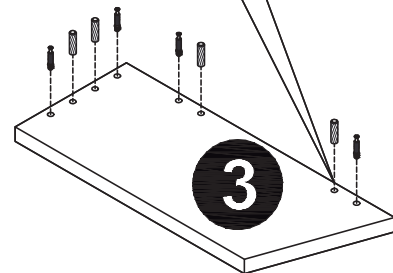
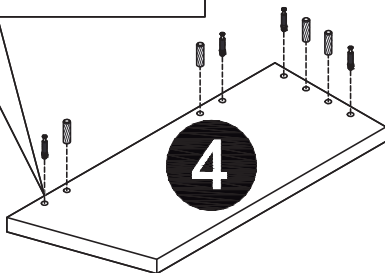
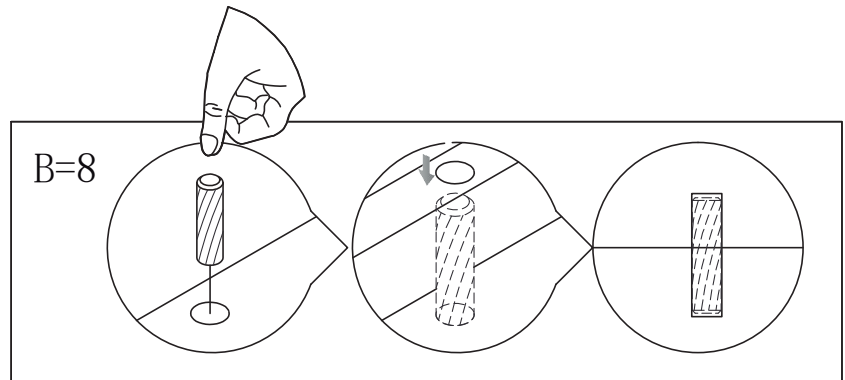
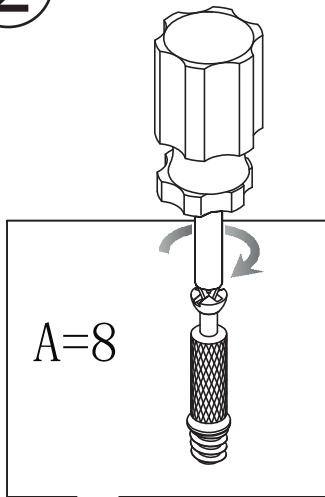
MONET

SC-0108

1



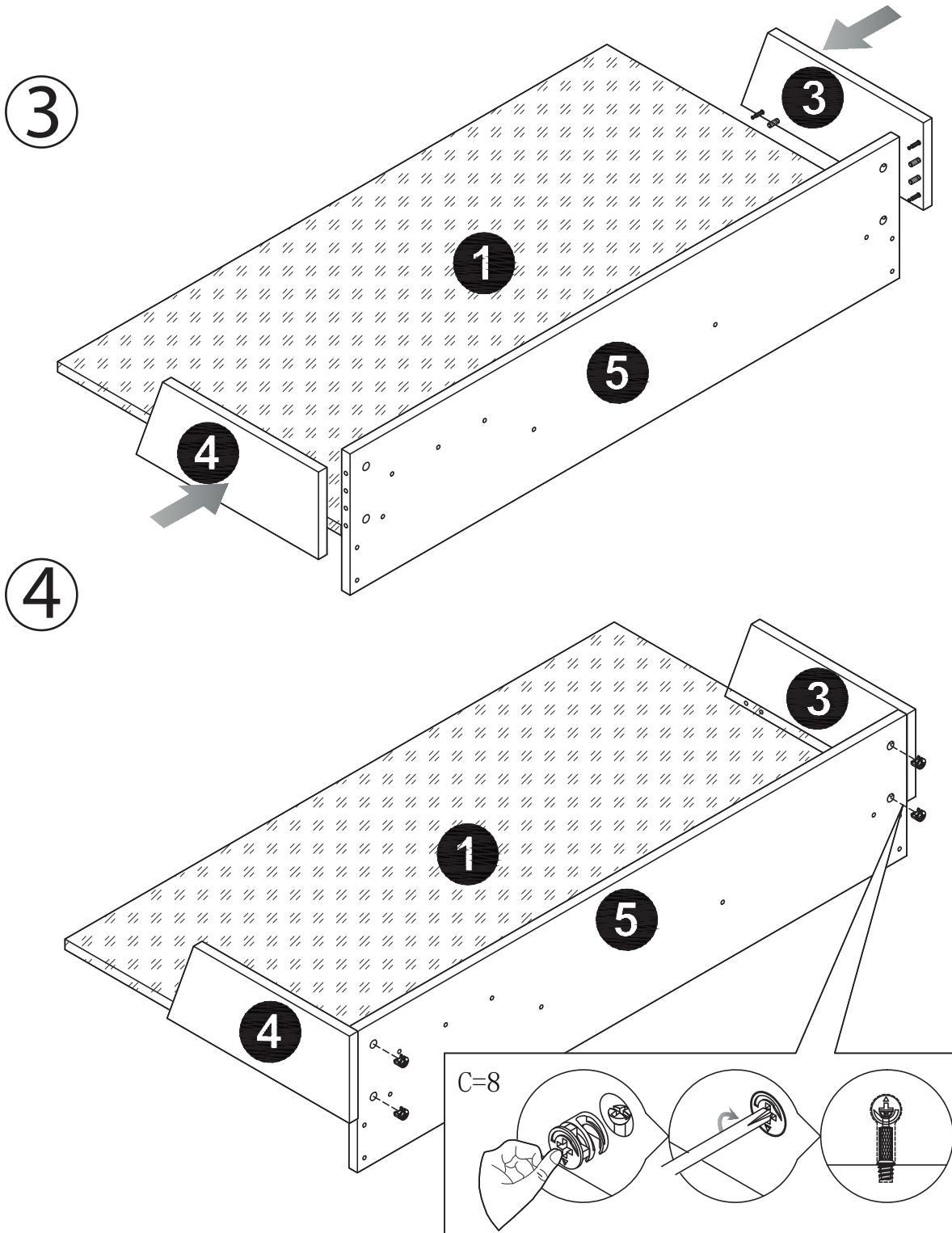
2



BANAK

MONET

SC-0108

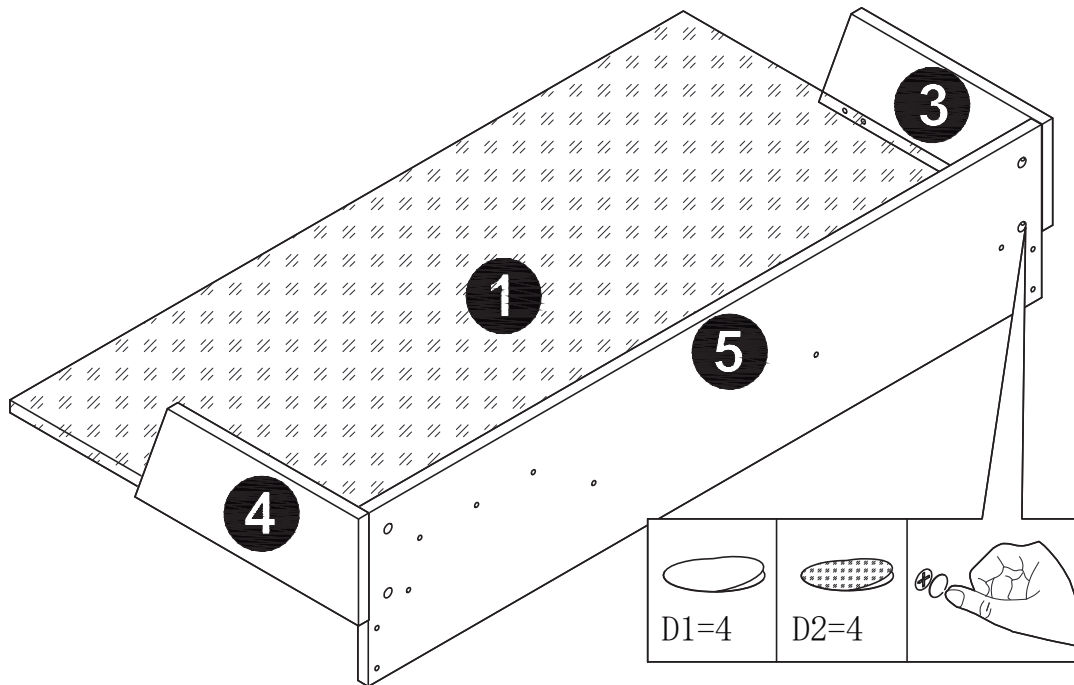


BANAK

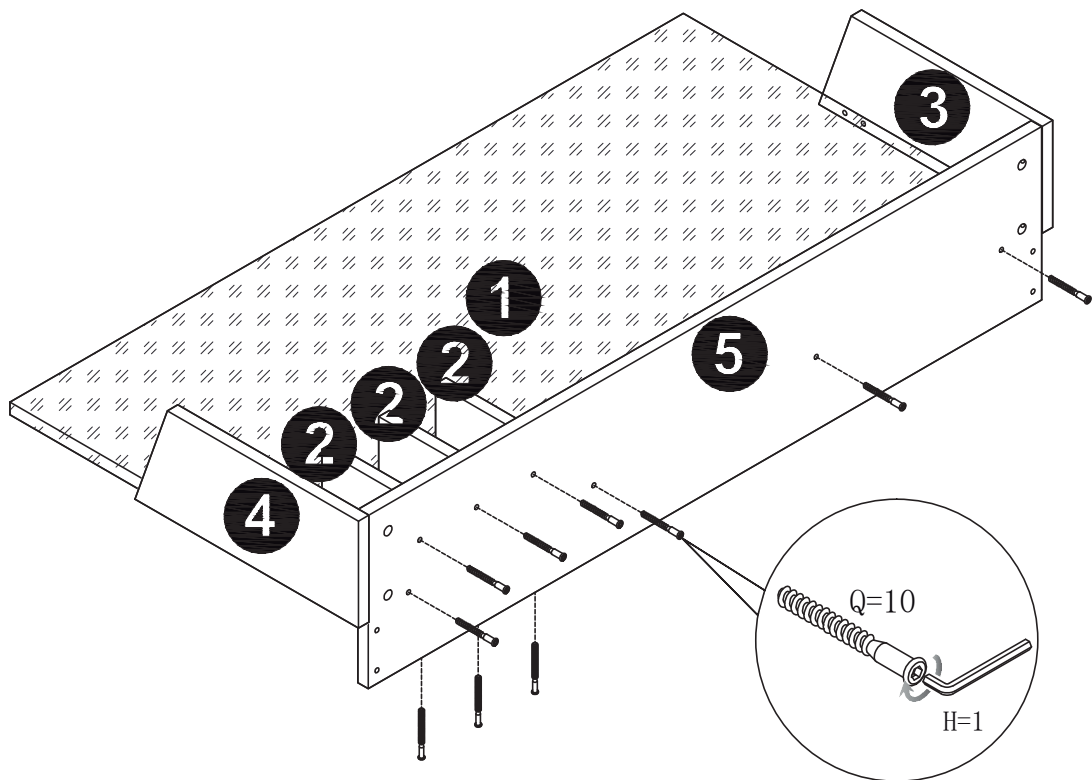
MONET

SC-0108

5



6

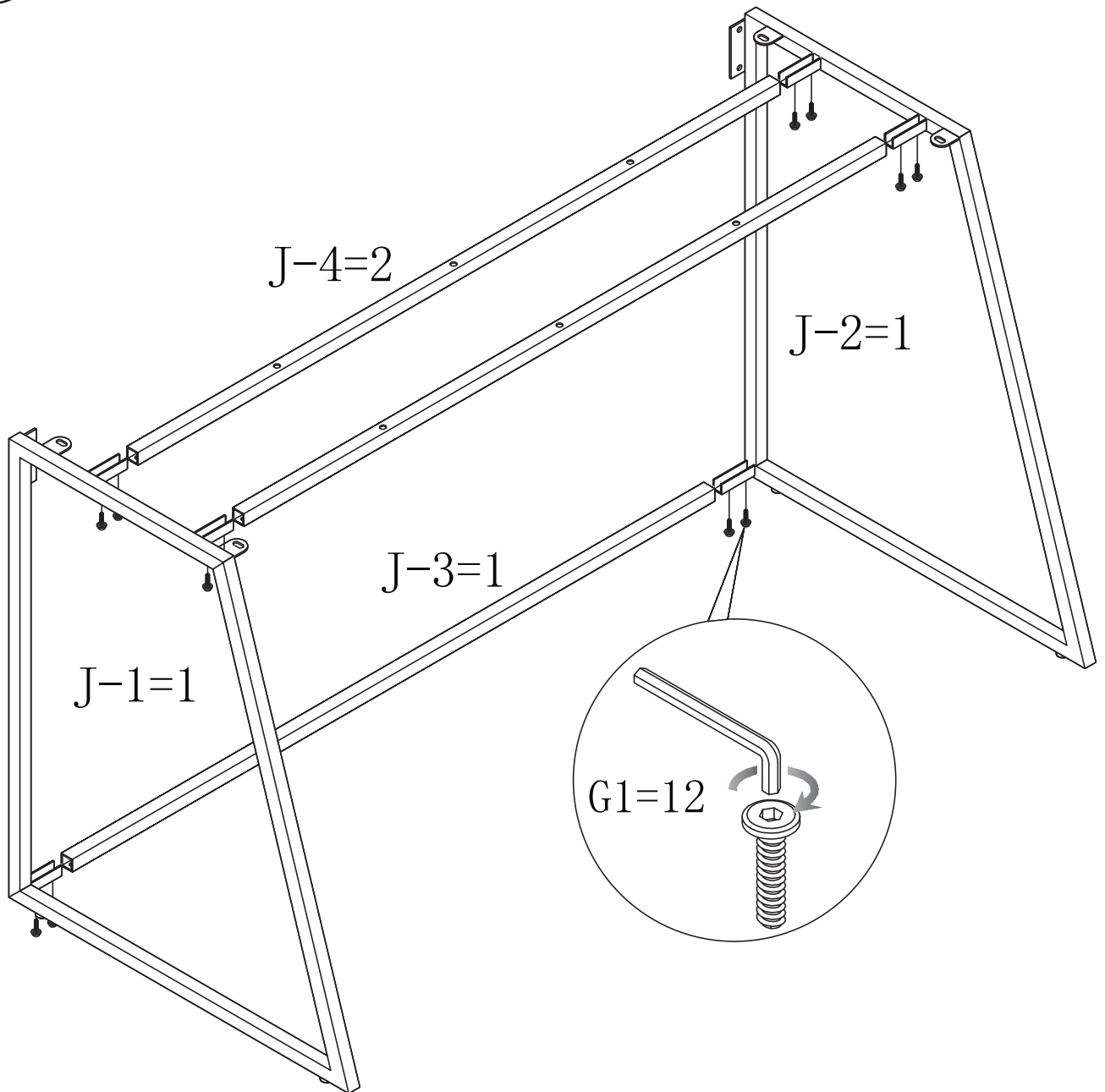


BANAK

MONET

SC-0108

7

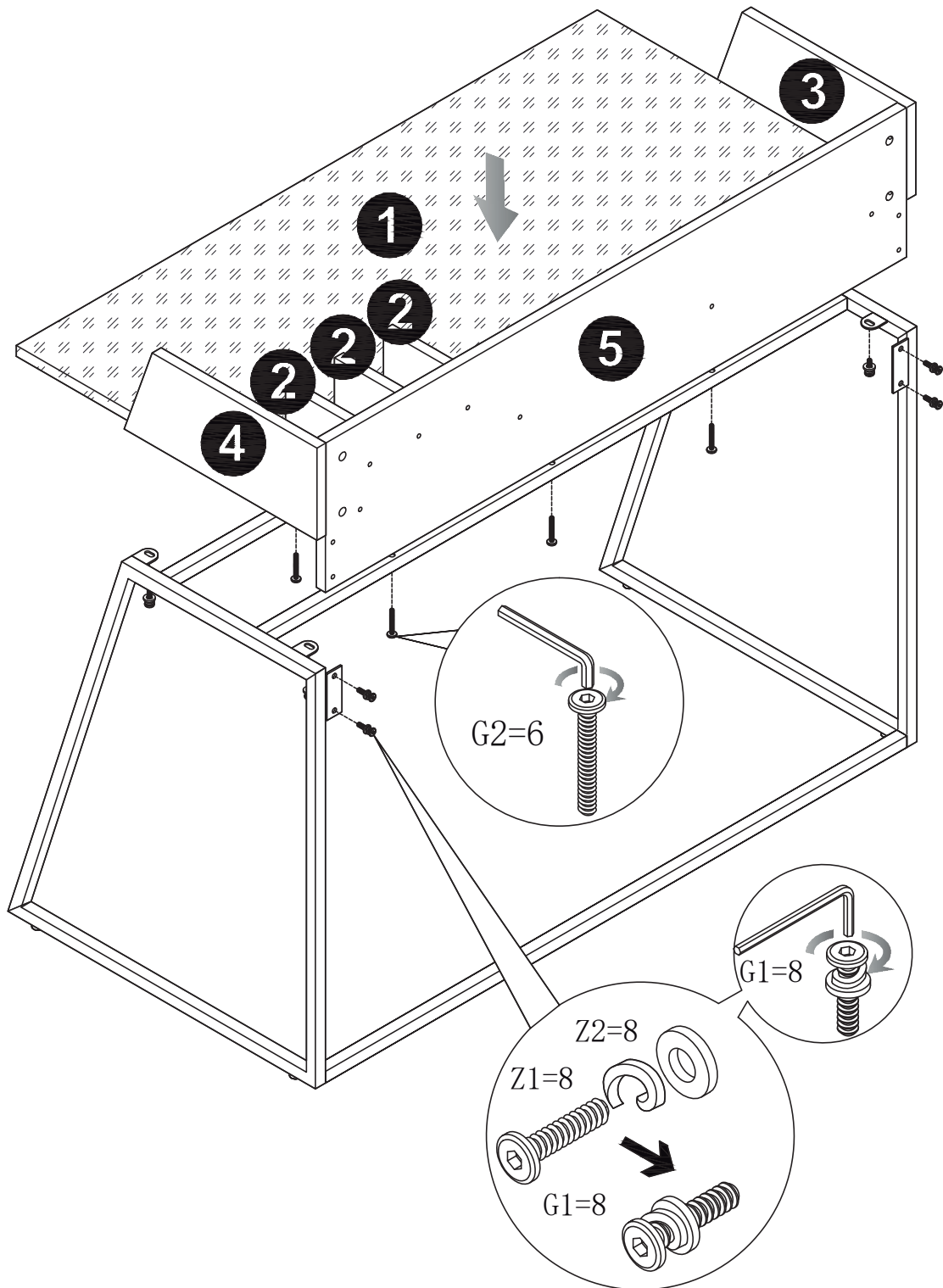


BANAK

MONET

SC-0108

8

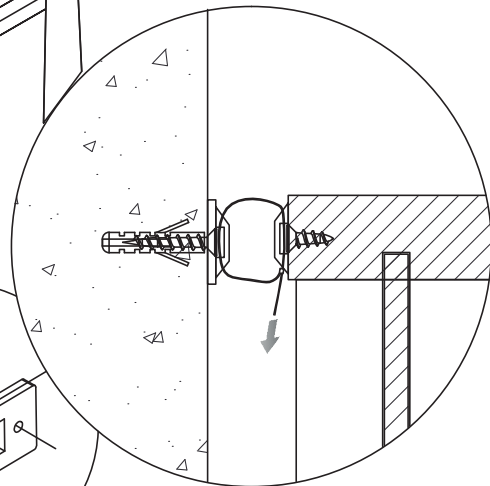
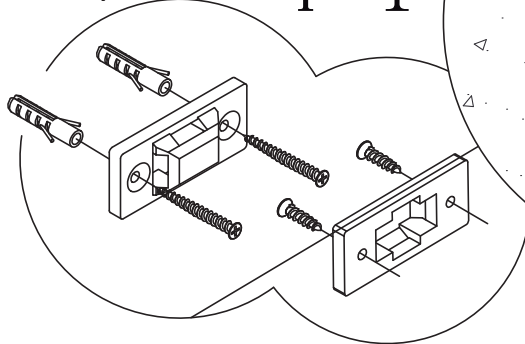
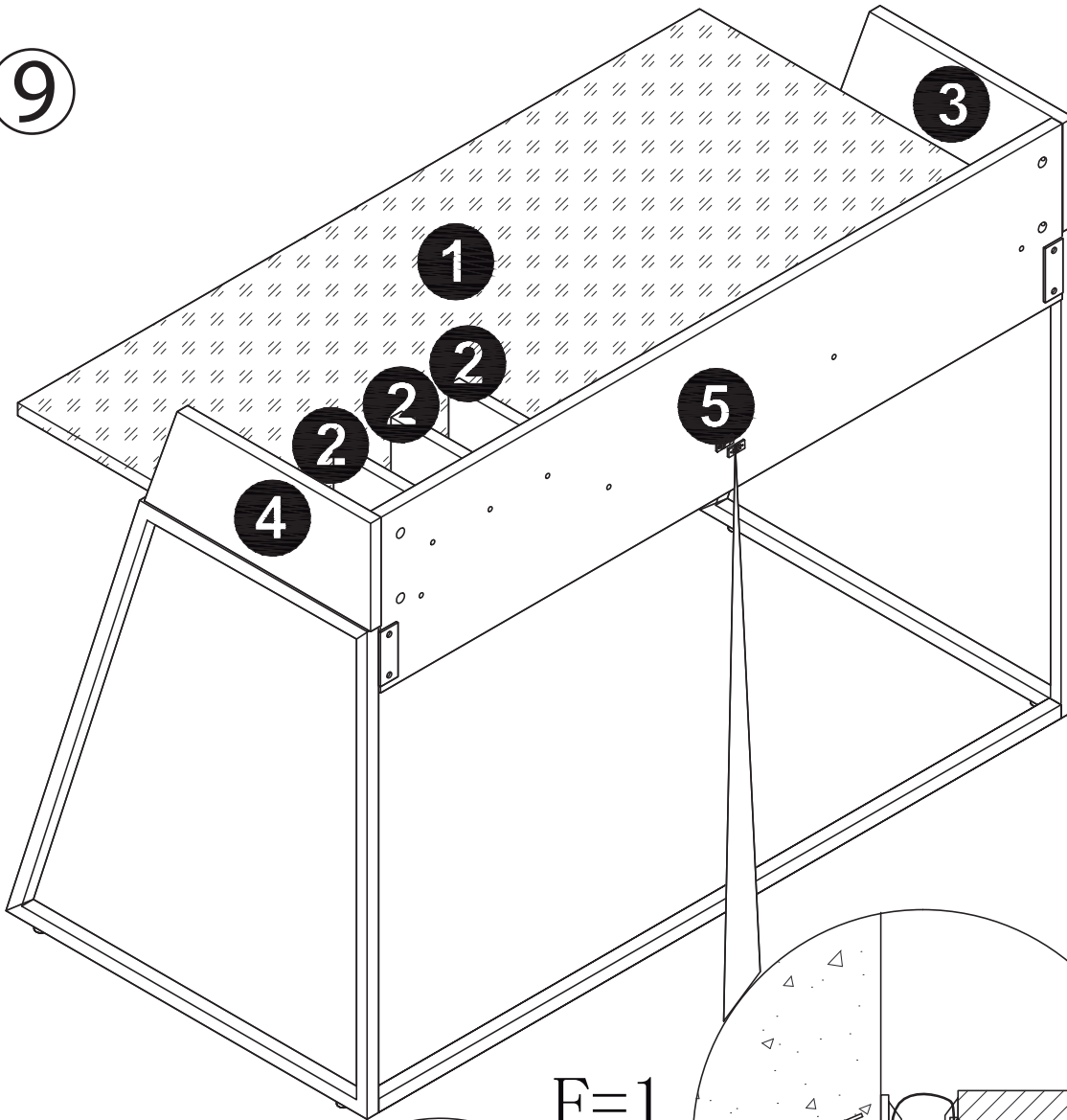


BANAK

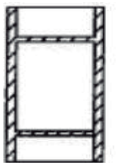
MONET

SC-0108

9



X



X



✓