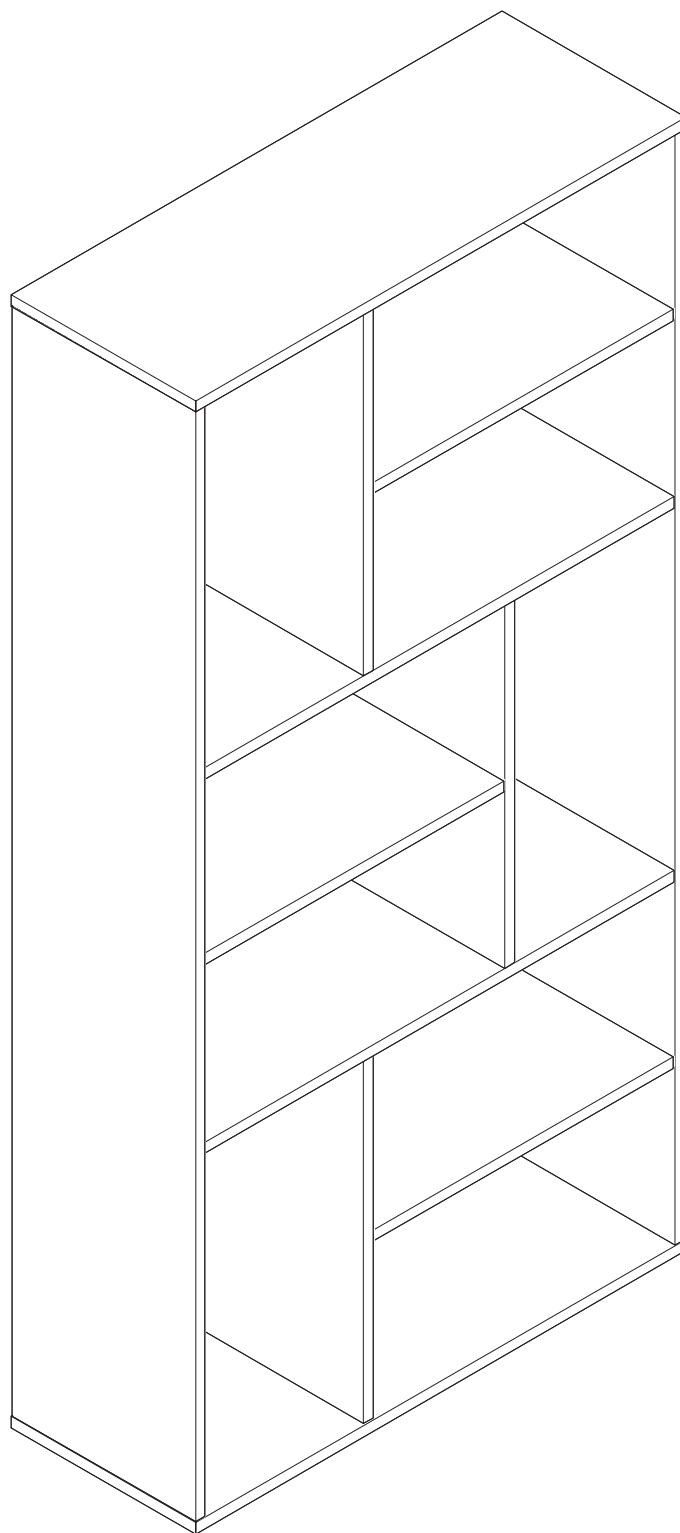


# BANAK

# CONNOR

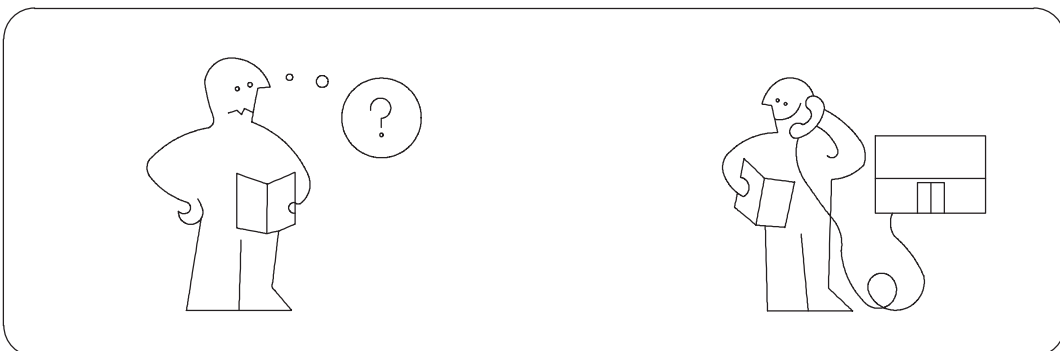
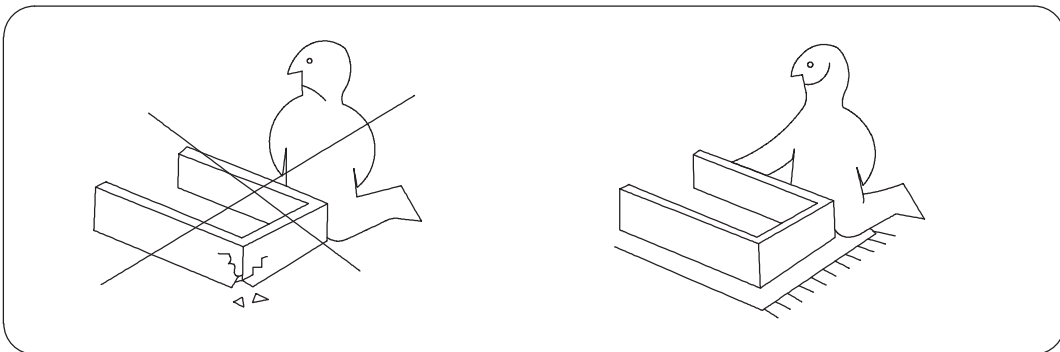
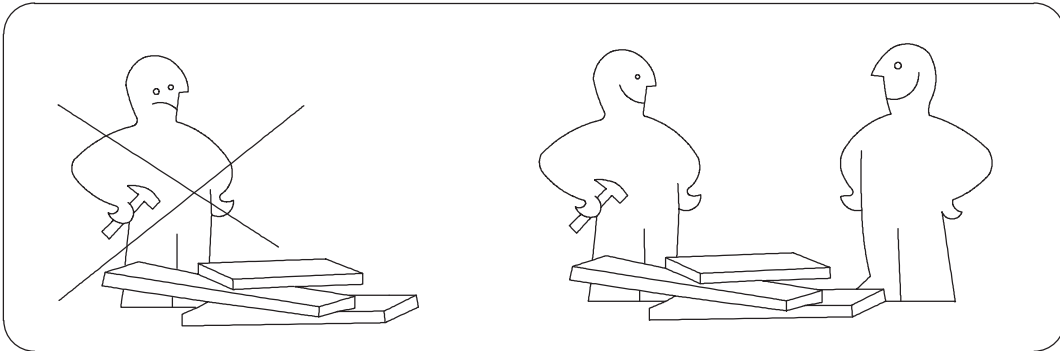
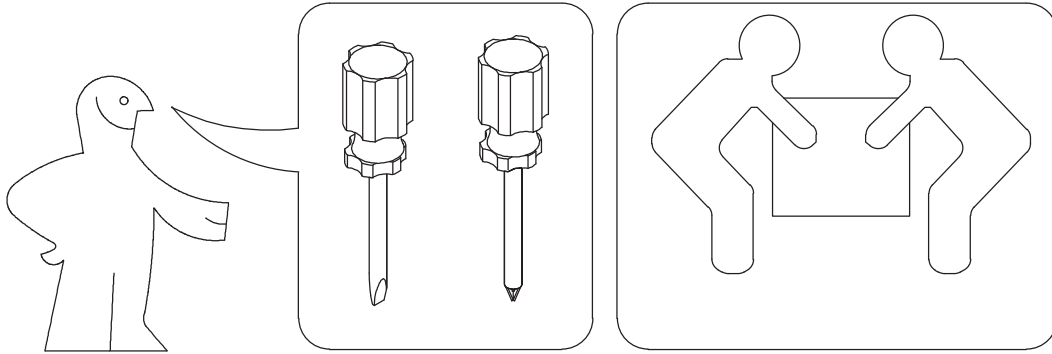
SC-0114



# BANAK

# CONNOR

SC-0114

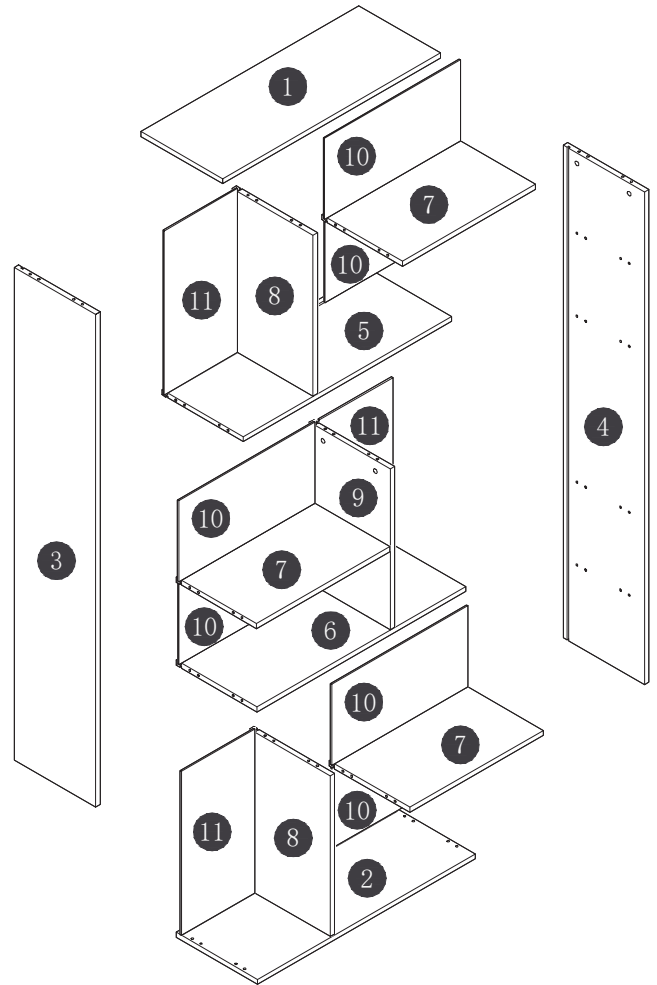


# BANAK

# CONNOR

SC-0114

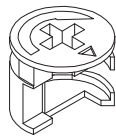
1	800x300x16	x1
2	800x300x16	x1
3	1568x299x16	x1
4	1568x299x16	x1
5	766x298x16	x1
6	766x298x16	x1
7	490x296x16	x3
8	512x297x16	x3
9	512x297x16	x1
10	258x500x5	x6
11	522x270x5	x3



A=30



B=40



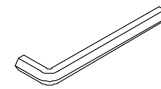
C=32



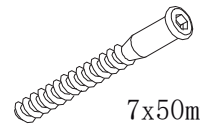
D=40



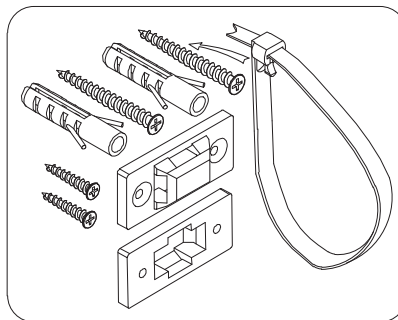
E=36



H=1



Q=10



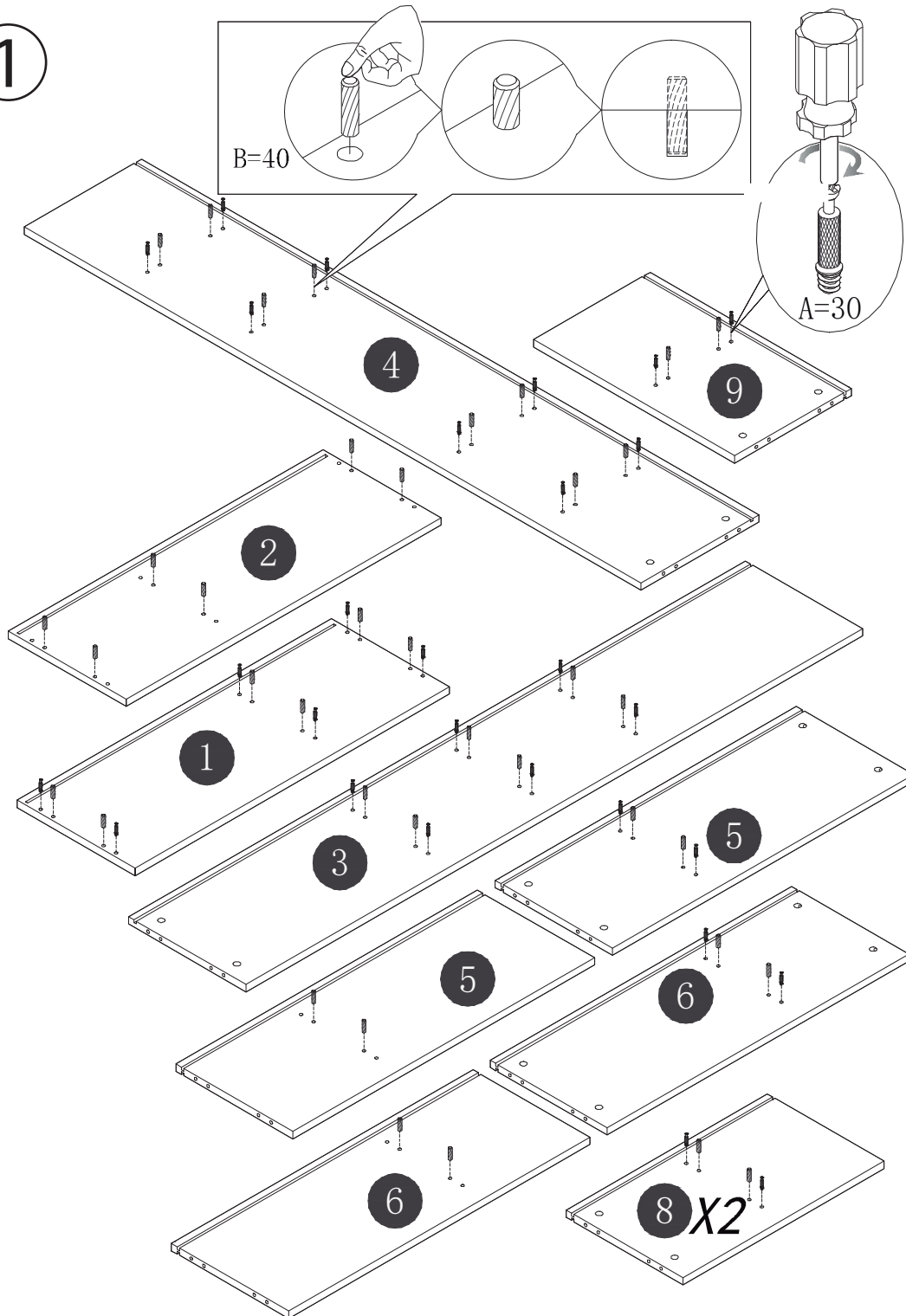
F=1

# BANAK

# CONNOR

SC-0114

1

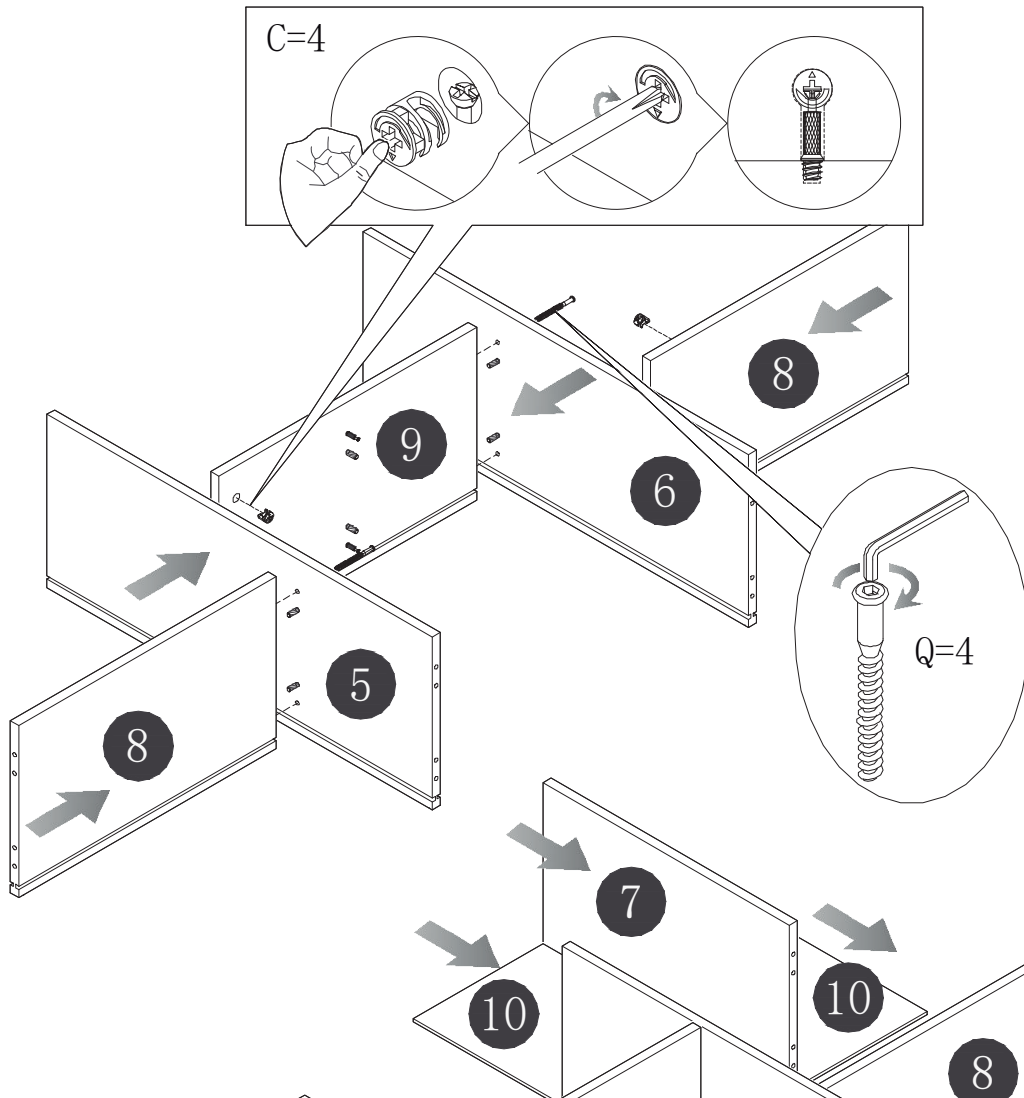


# BANAK

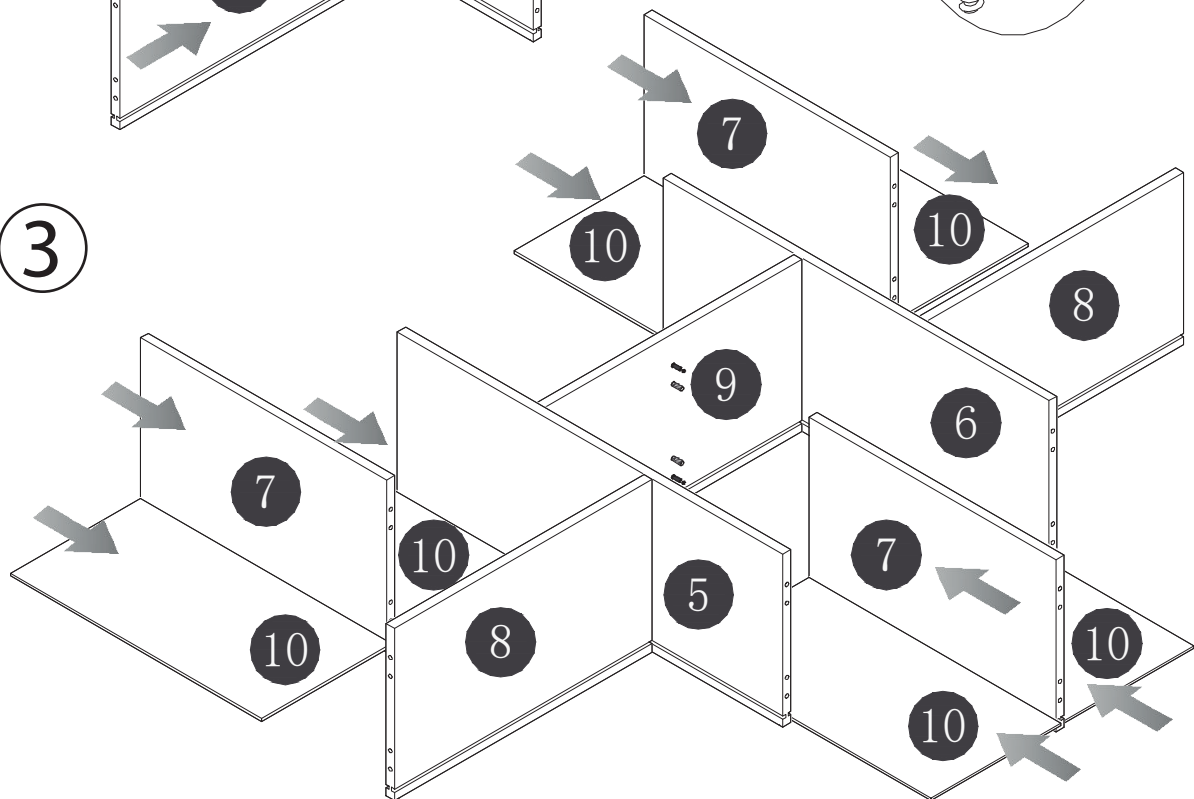
# CONNOR

SC-0114

2



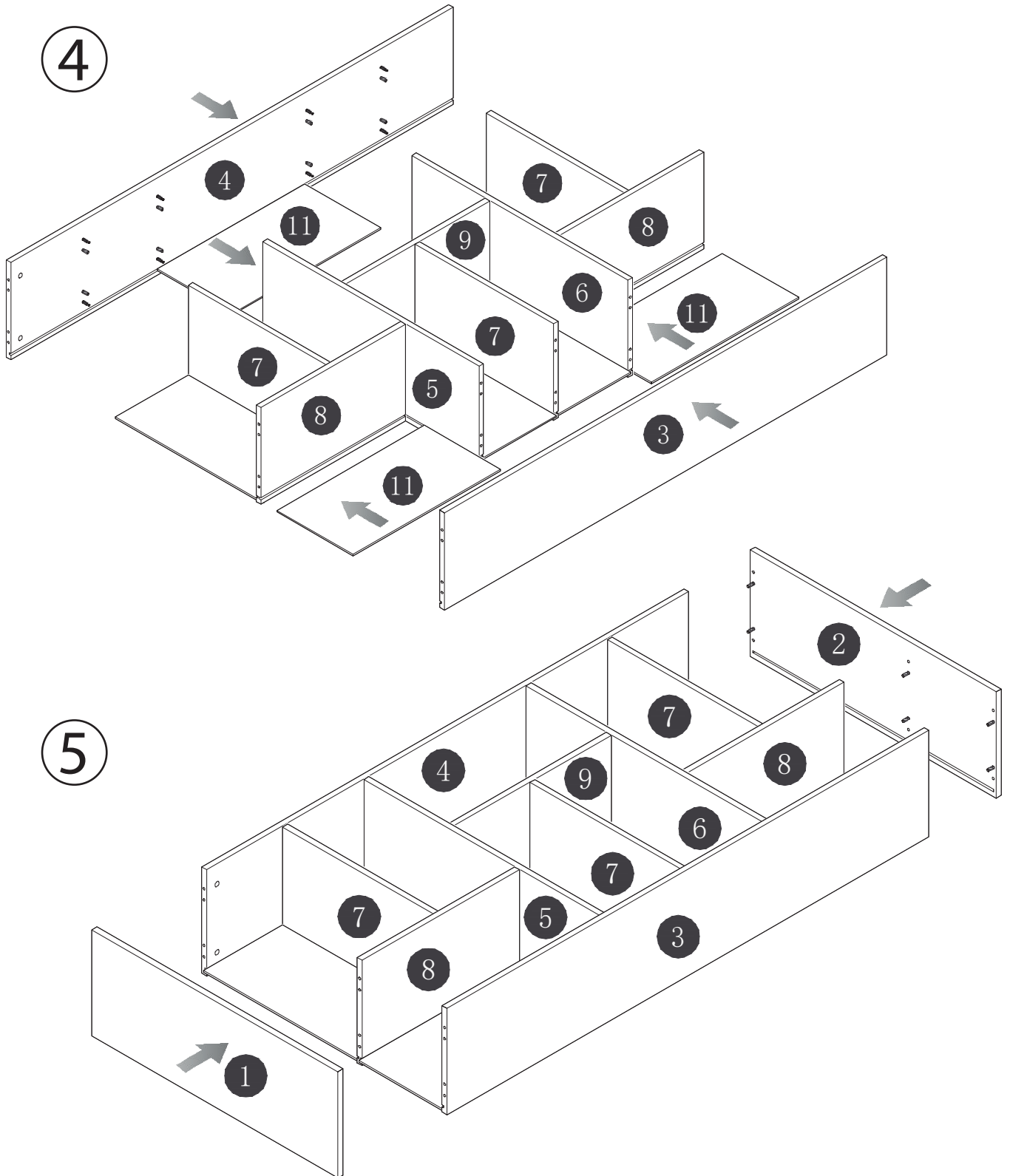
3



# BANAK

# CONNOR

SC-0114

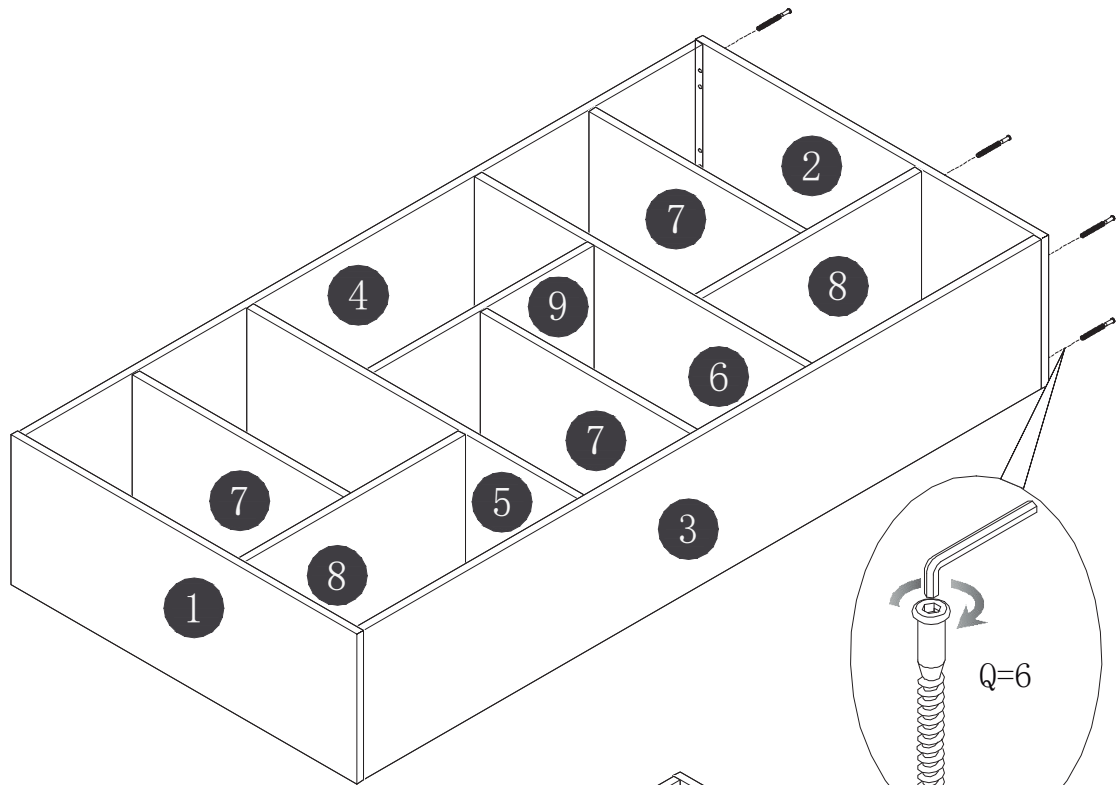


# BANAK

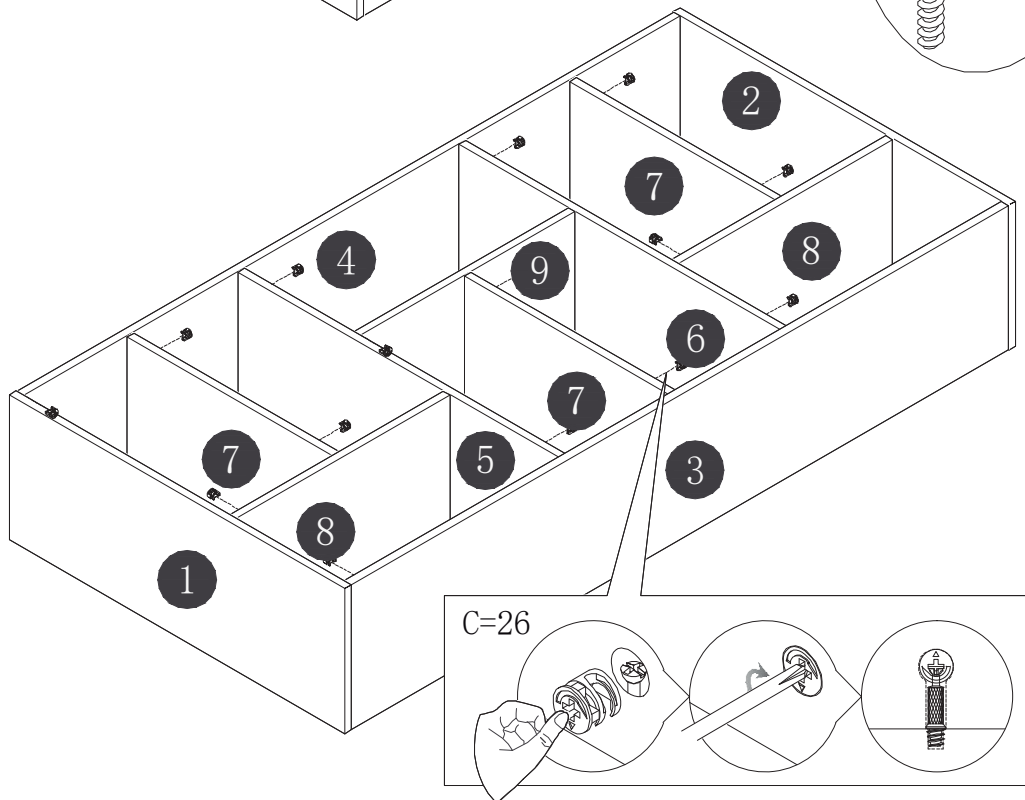
# CONNOR

SC-0114

6



7

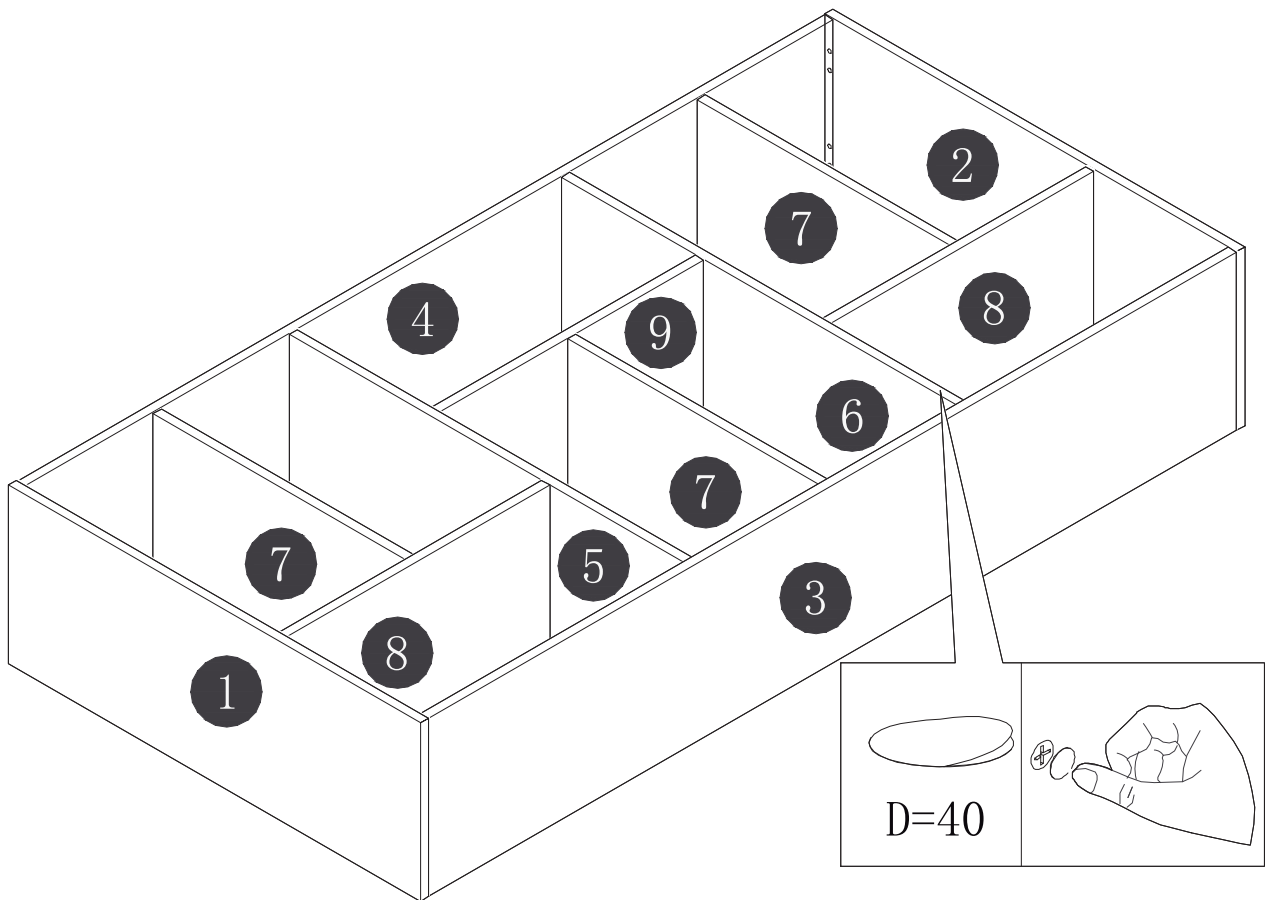


# BANAK

# CONNOR

SC-0114

8





# BANAK

# CONNOR

SC-0114

9

