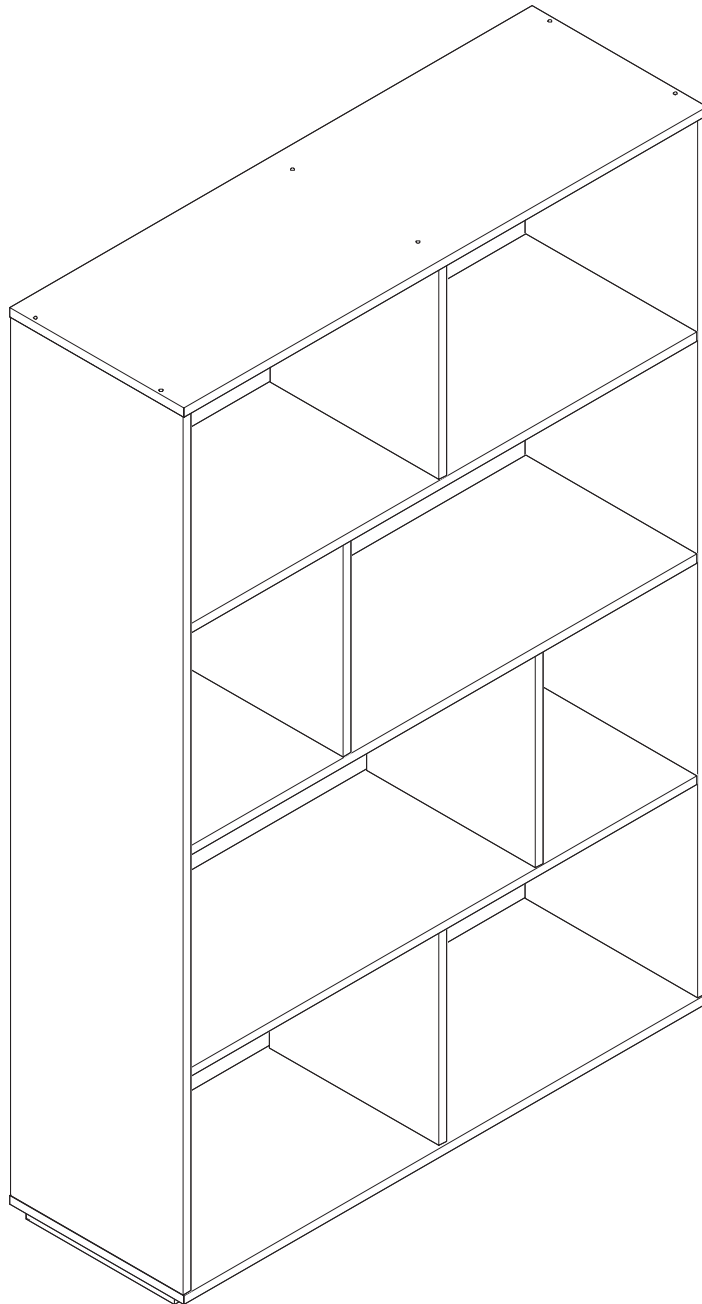


BANAK

TRACY

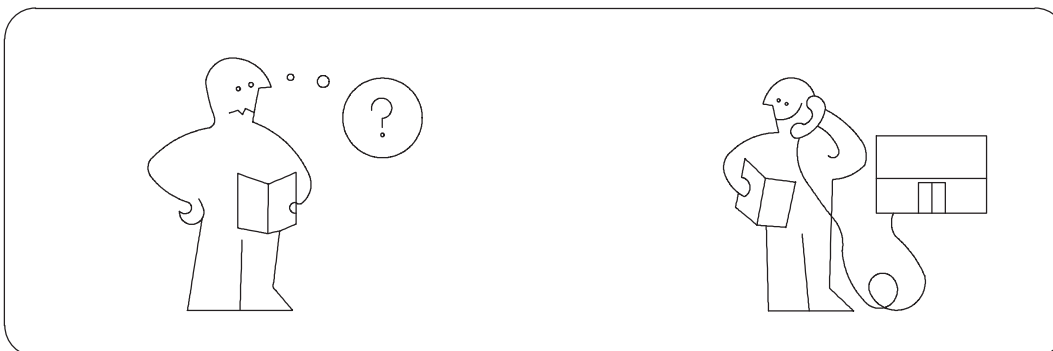
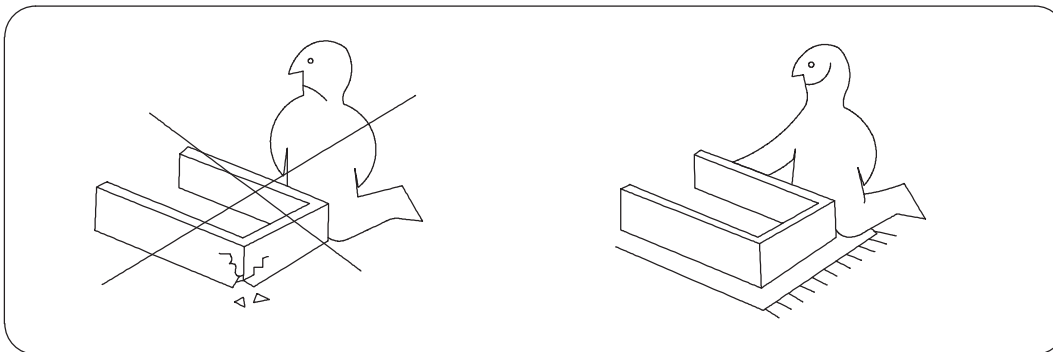
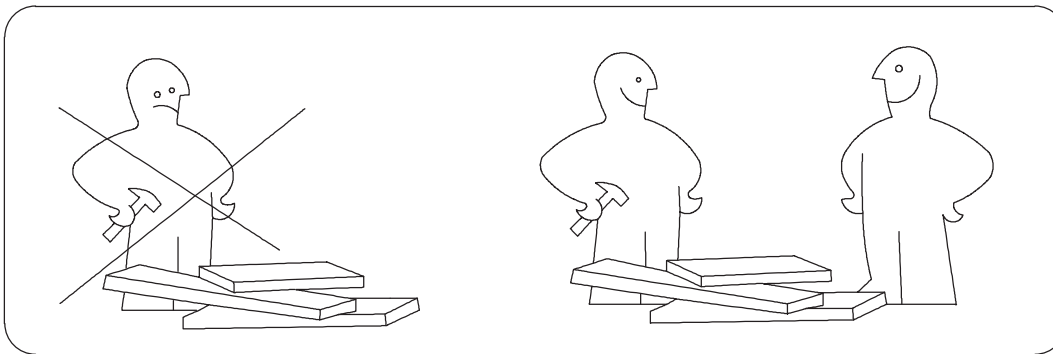
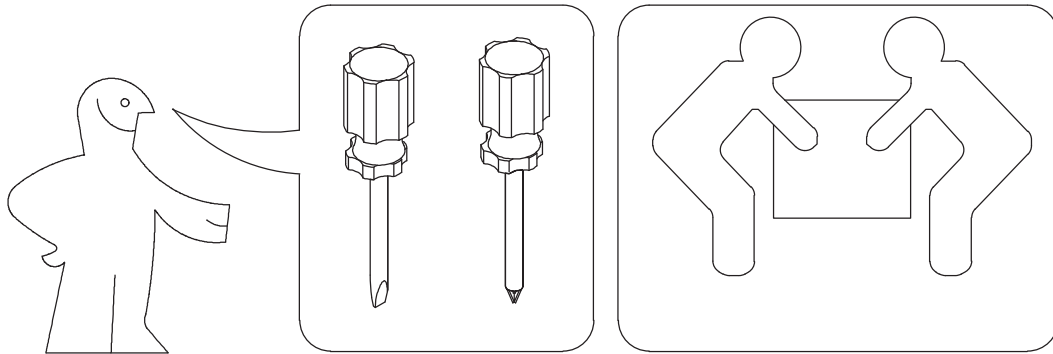
SC-0115RB-RL



BANAK

TRACY

SC-0115RB-RL

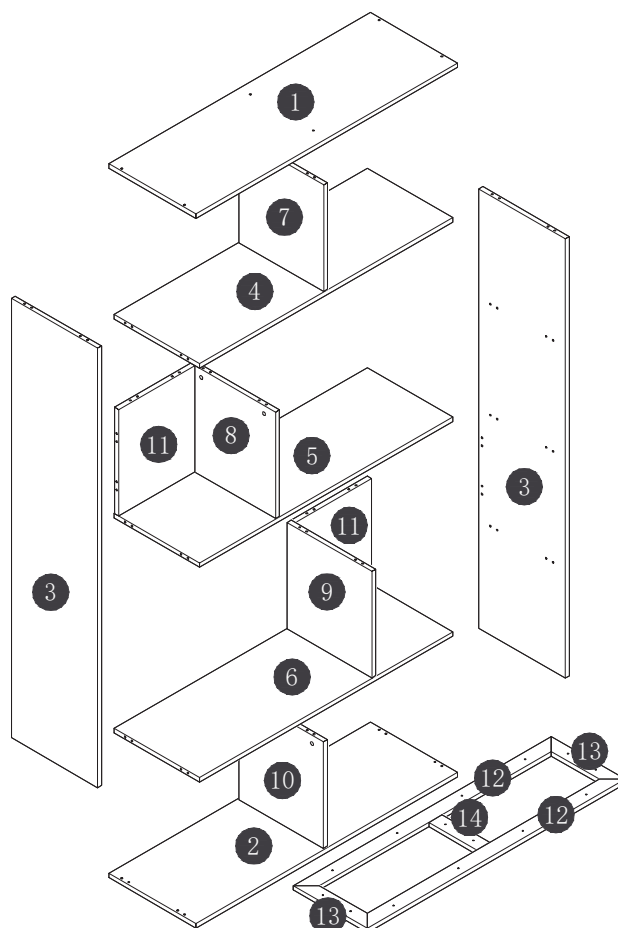


BANAK

TRACY

SC-0115RB-RL

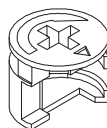
1	1200x400x18	x1
2	1200x400x18	x1
3	1746x396x18	x2
4	1160x392x18	x1
5	1160x392x18	x1
6	1160x392x18	x1
7	423x388x18	x1
8	423x388x18	x1
9	423x388x18	x1
10	423x388x18	x1
11	423x350x18	x2
12	1184x60x18	x2
13	340x60x18	x2
14	220x60x18	x1



A=34



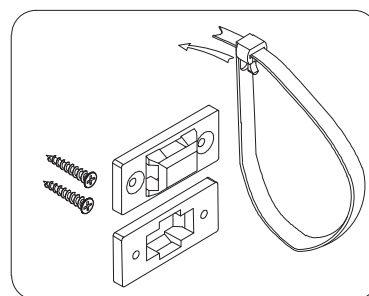
B=52



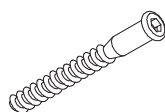
C=34



D=52



F=1



Q=18



H=1



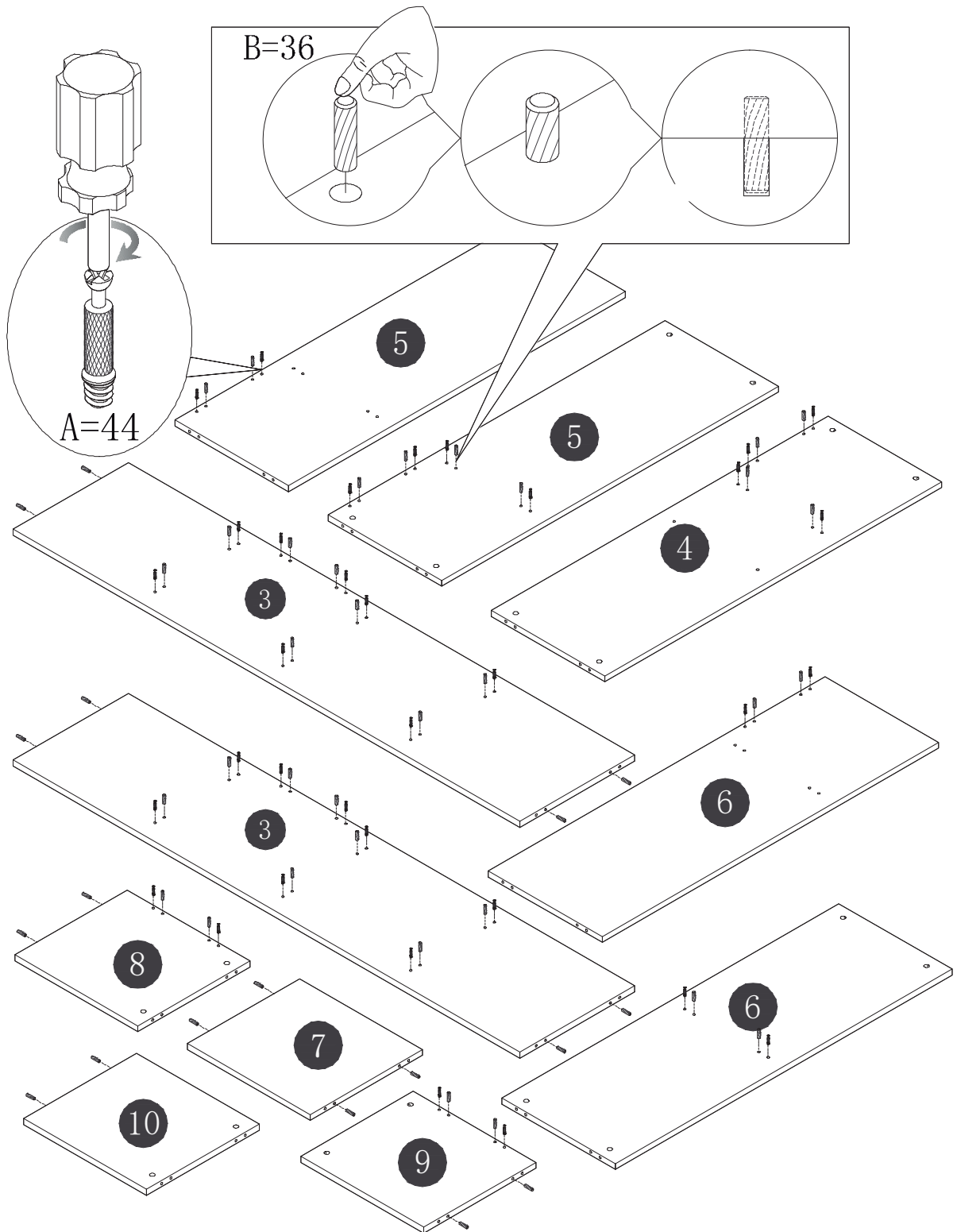
M4*40
V3=14

BANAK

TRACY

SC-0115RB-RL

1

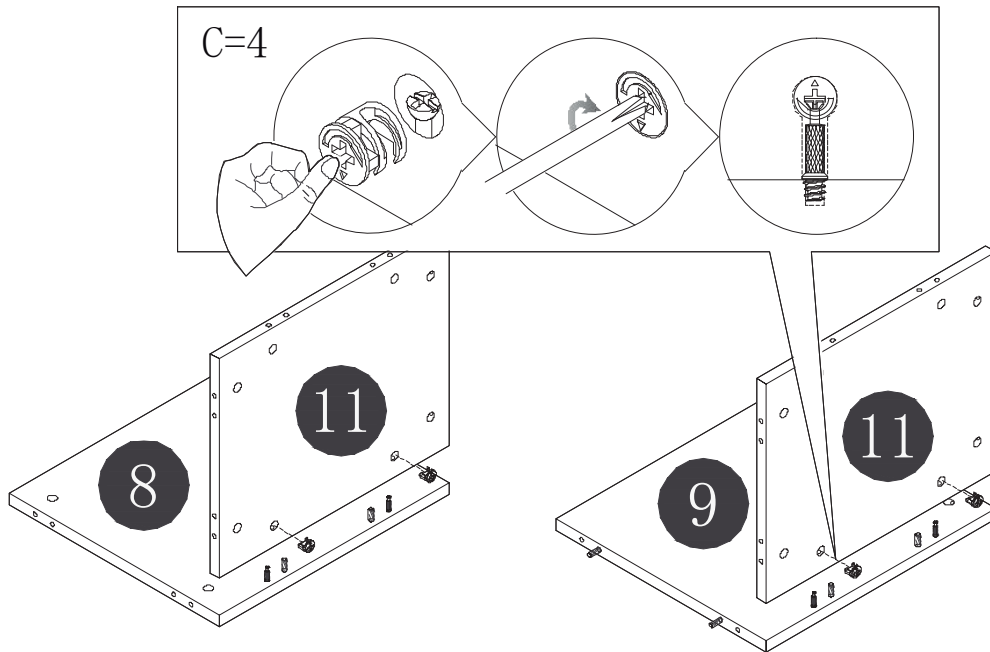


BANAK

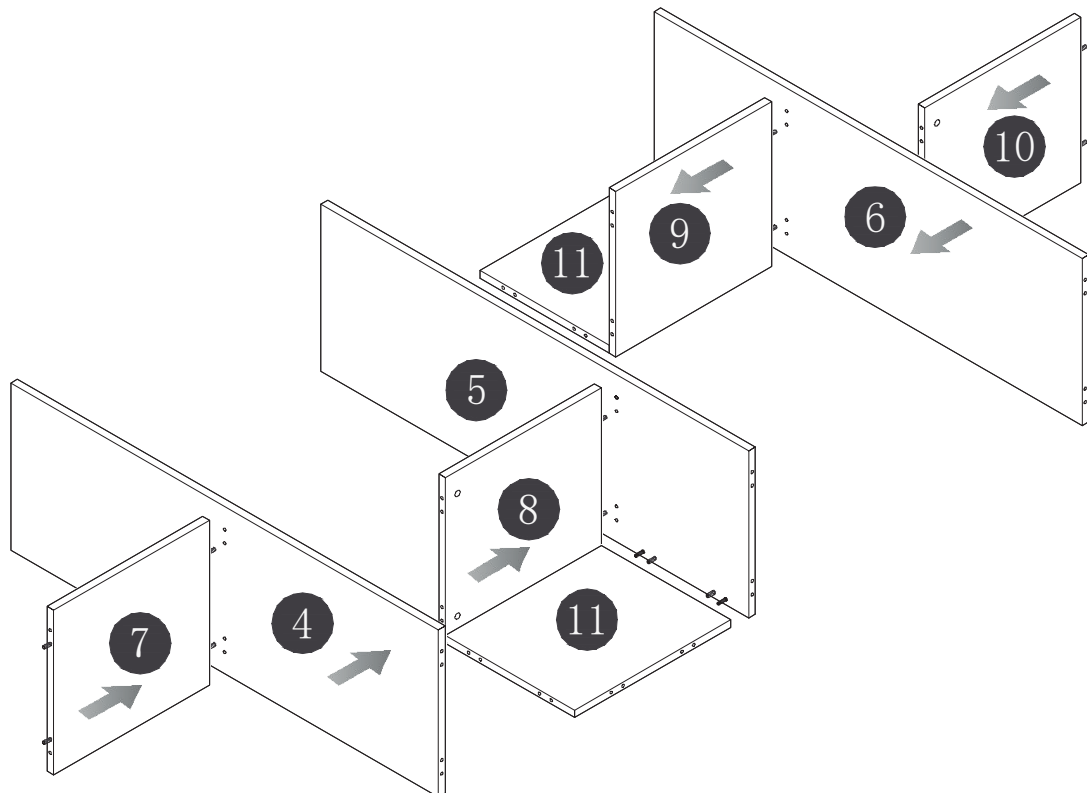
TRACY

SC-0115RB-RL

2



3

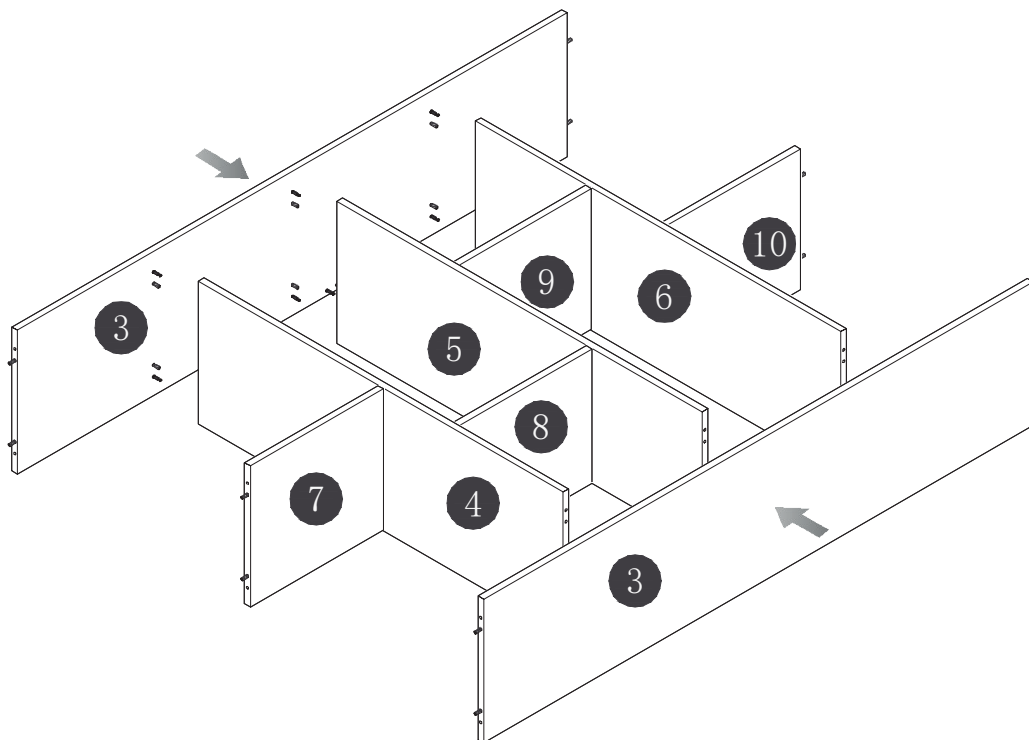


BANAK

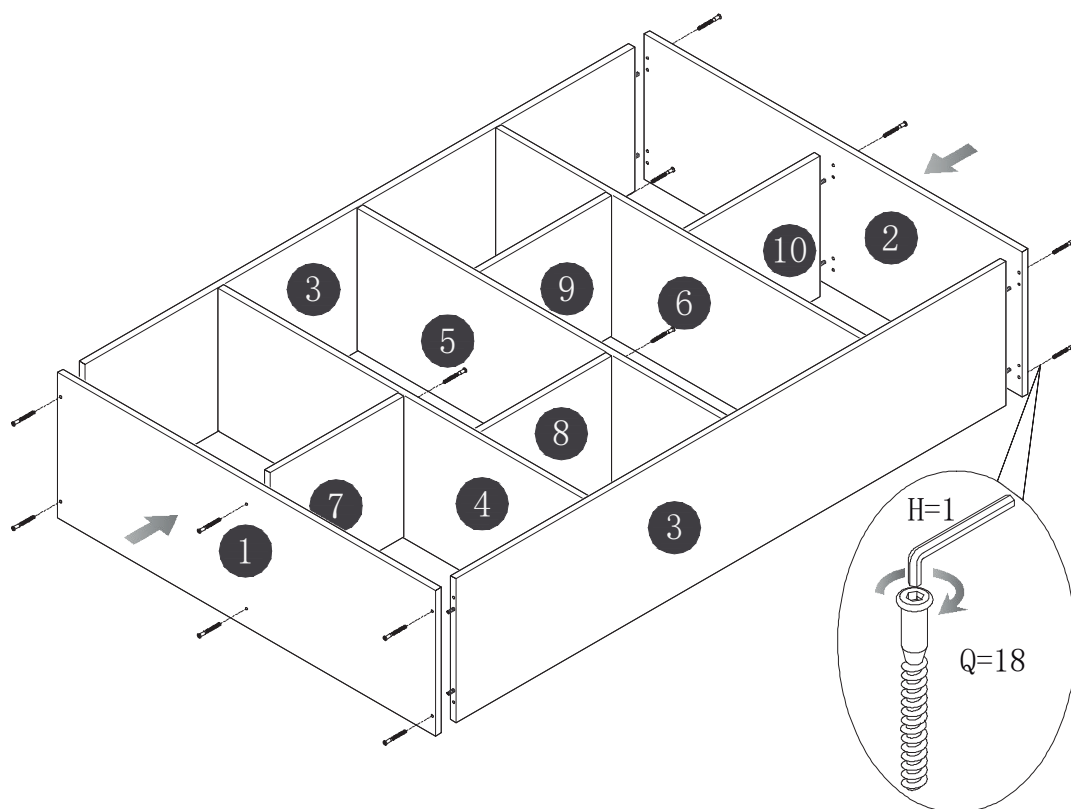
TRACY

SC-0115RB-RL

4



5

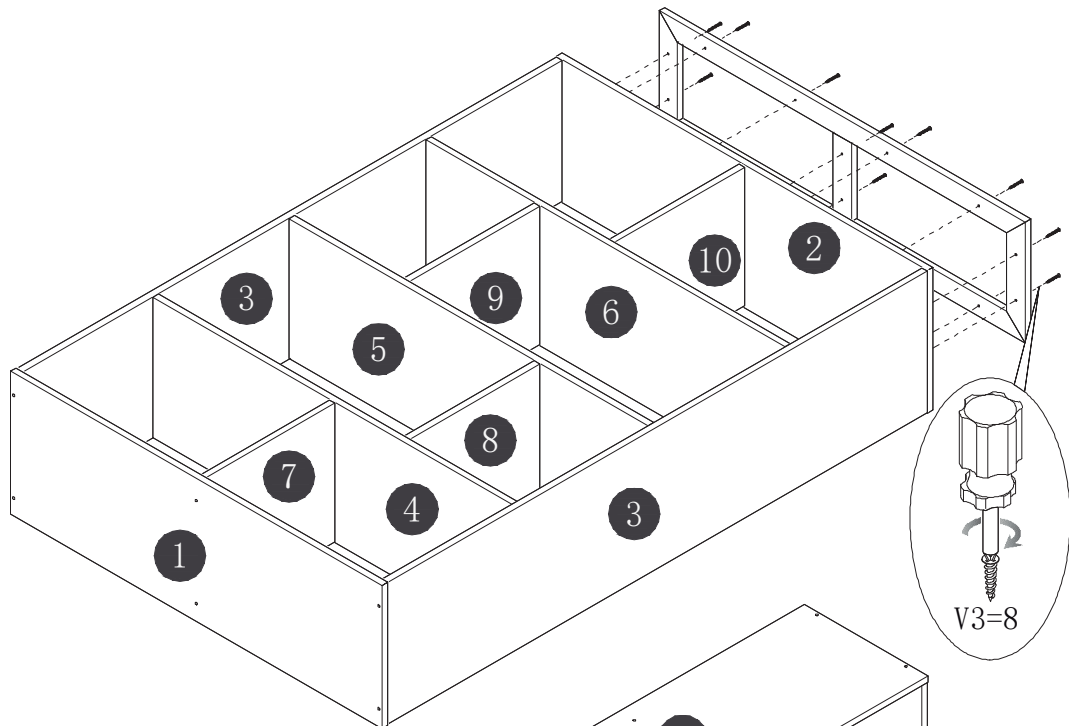


BANAK

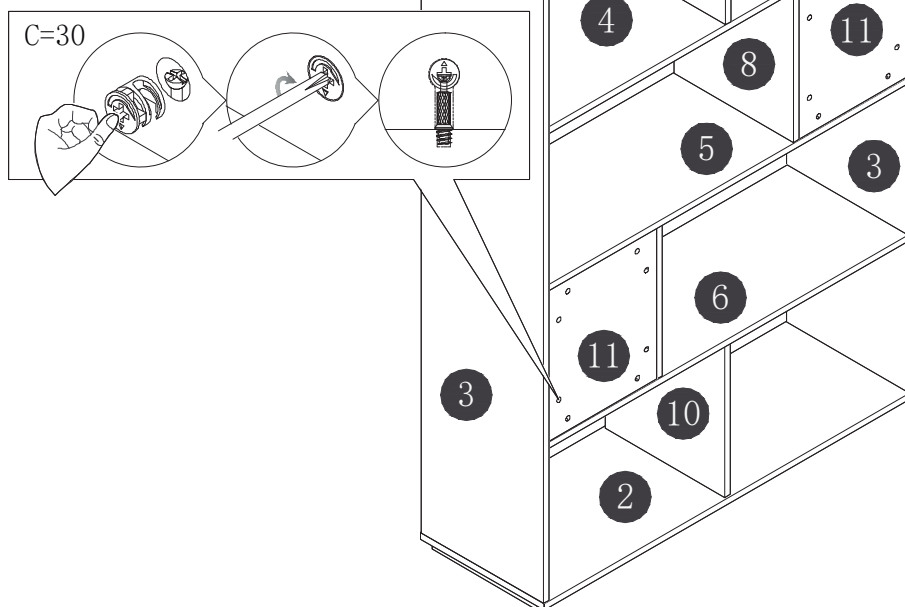
TRACY

SC-0115RB-RL

6



7

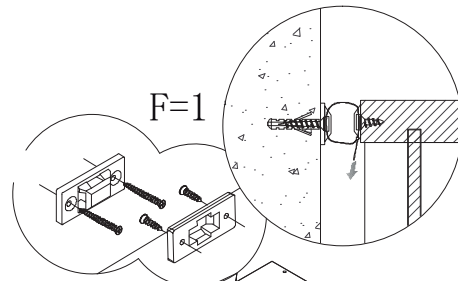
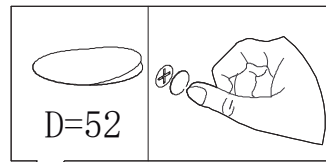
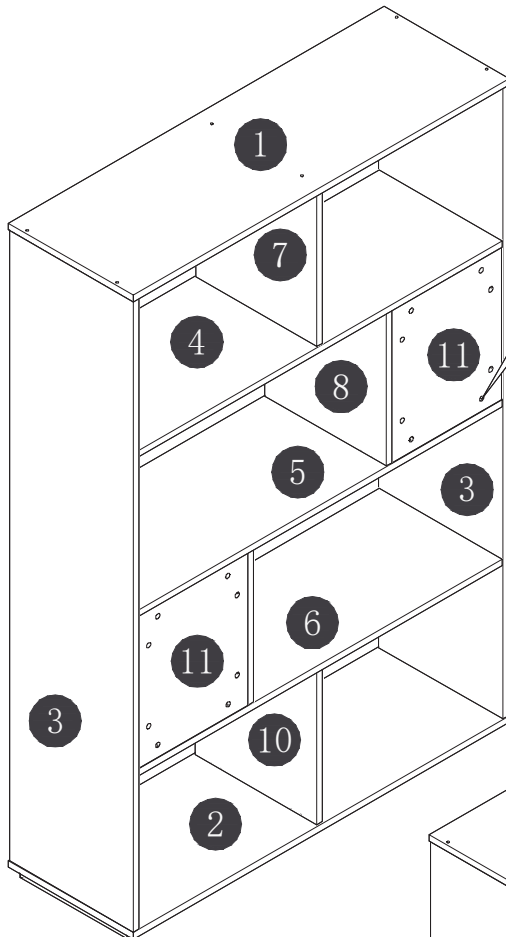


BANAK

TRACY

SC-0115RB-RL

8



9

