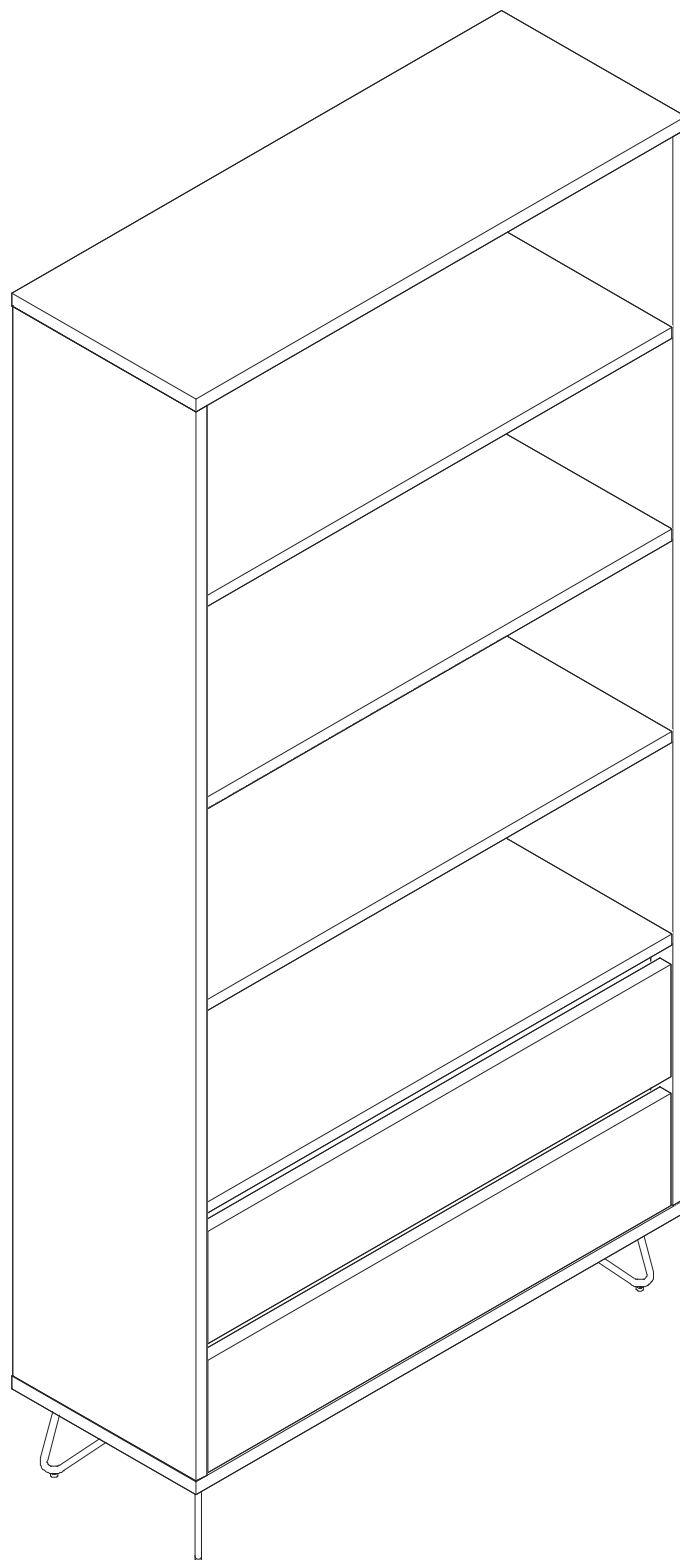


BANAK

OLIVER

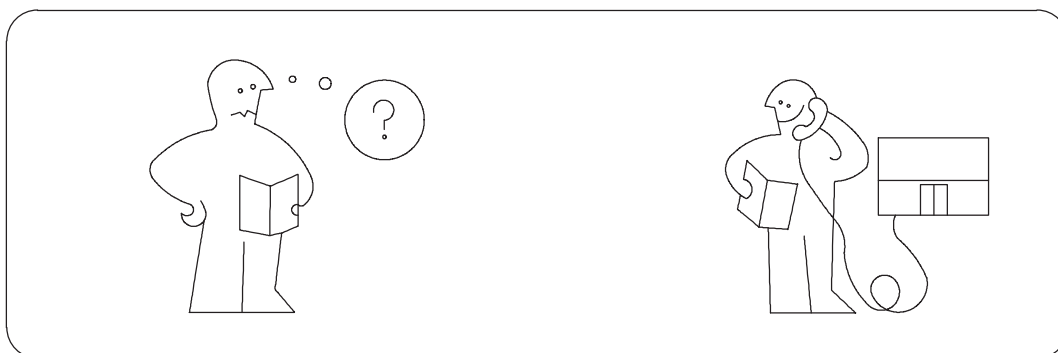
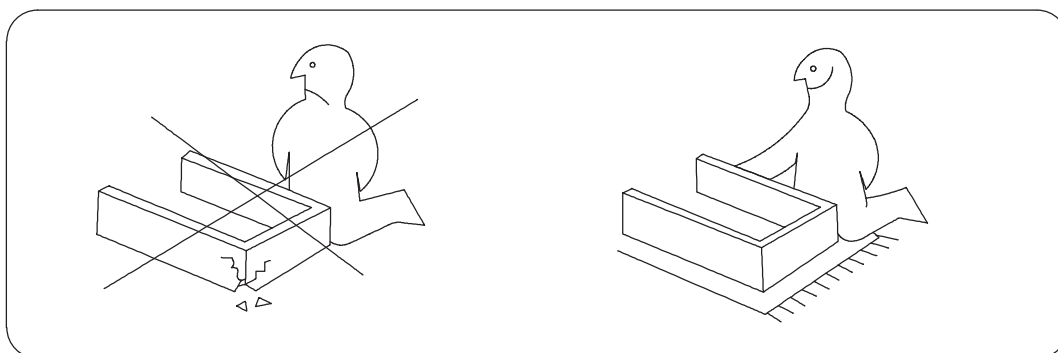
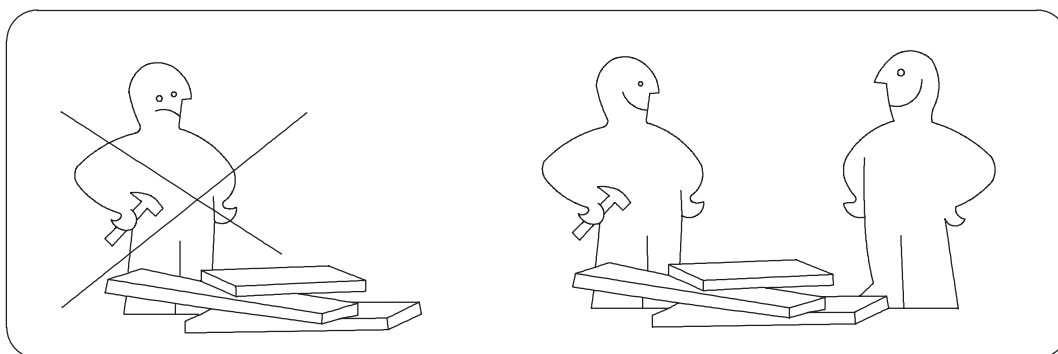
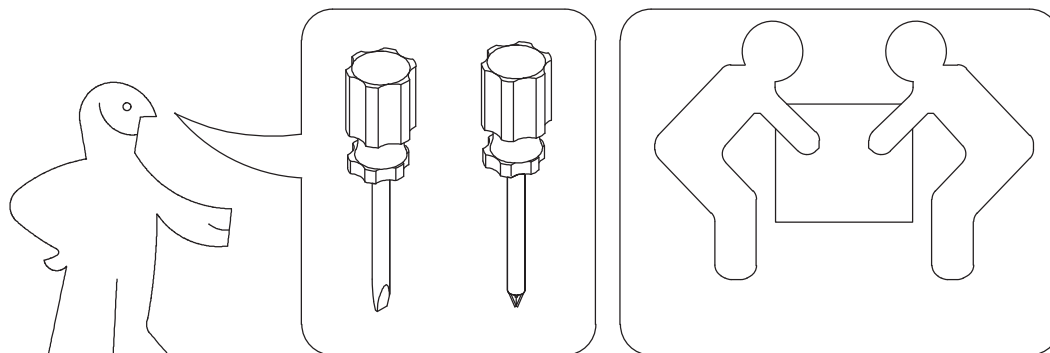
SC-0116



BANAK

OLIVER

SC-0116

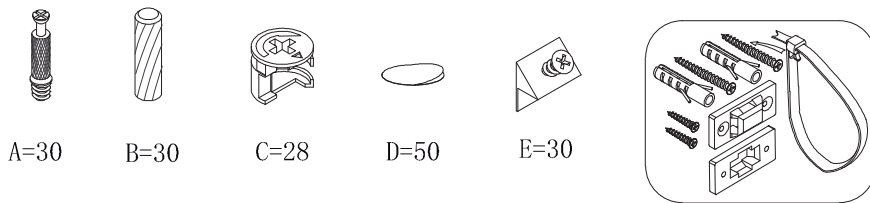
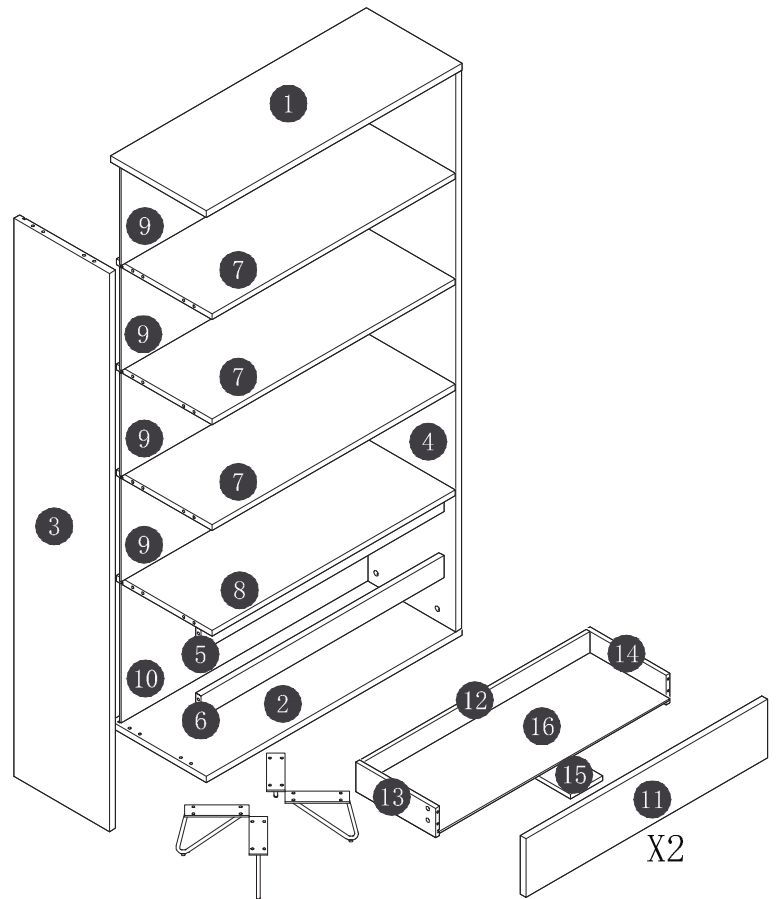


BANAK

OLIVER

SC-0116

1	800x300x16	x1
2	800x300x16	x1
3	1518x299x16	x1
4	1518x299x16	x1
5	766x60x16	x1
6	766x60x16	x1
7	766x298x16	x3
8	766x298x16	x1
9	776x280x5	x4
10	776x384x5	x1
11	762x162x16	x2
12	716x80x12	x2
13	250x80x12	x2
14	250x80x12	x2
15	237x100x12	x2
16	726x248x5	x2



A=30

B=30

C=28

D=50

E=30

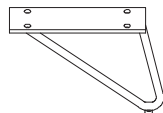
F=1



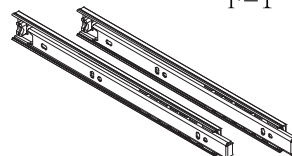
G=16



H=1



J=1=4



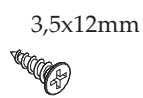
N=2



O=20



P=20



V1=16



Z1=16



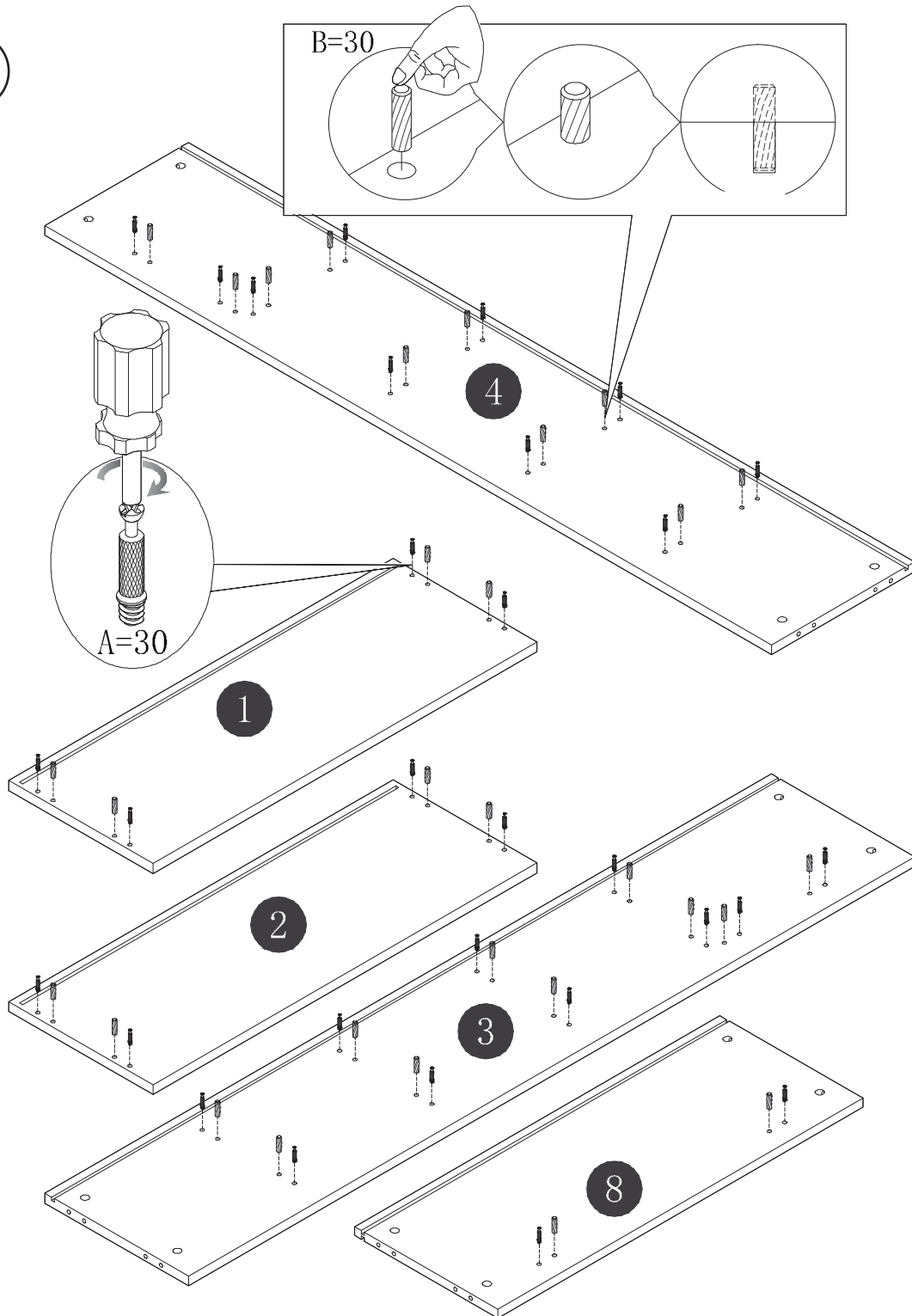
Z2=16

BANAK

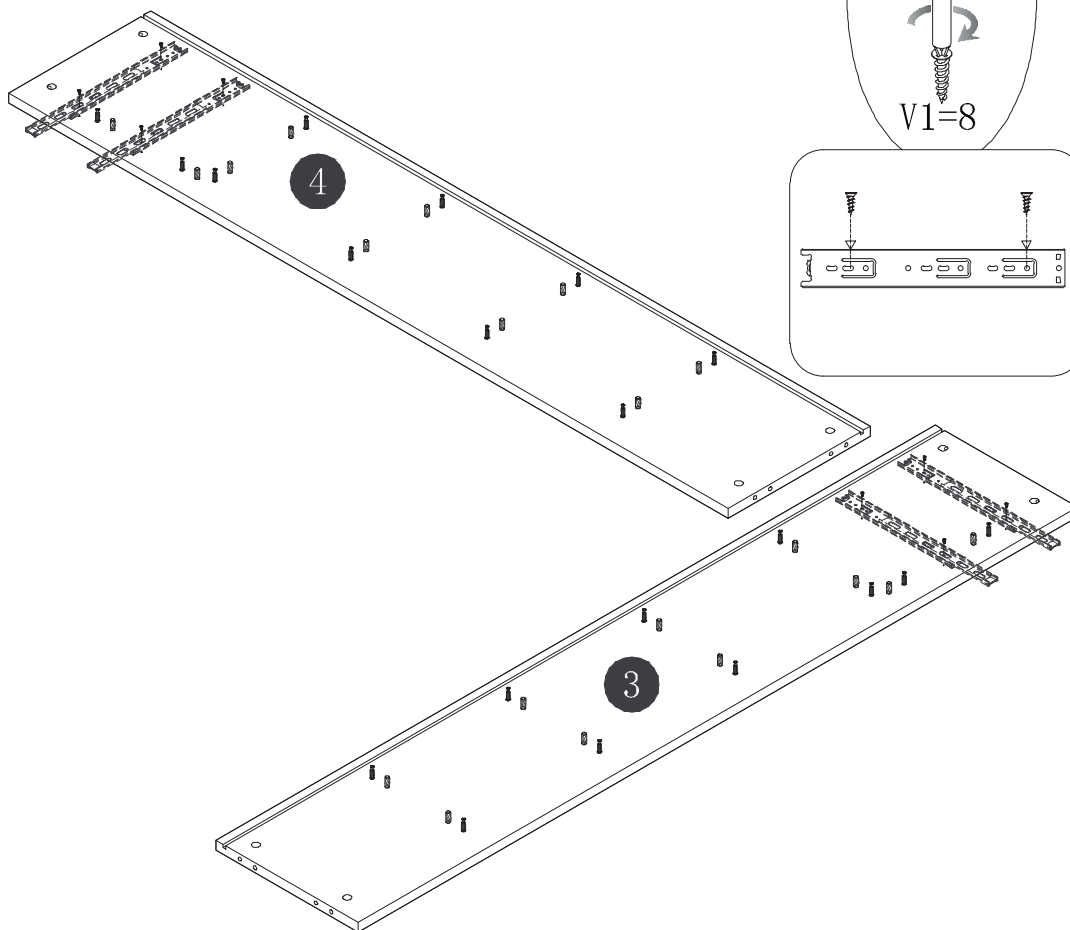
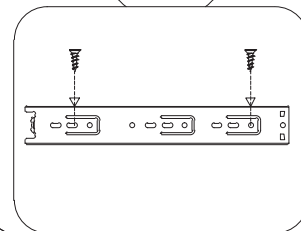
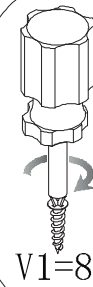
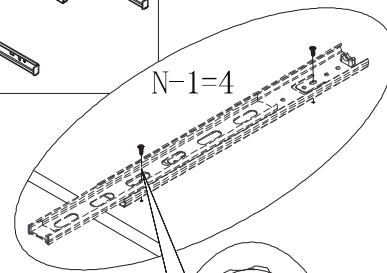
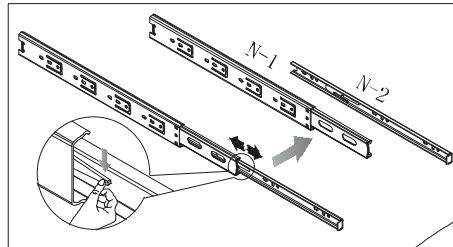
OLIVER

SC-0116

1



2

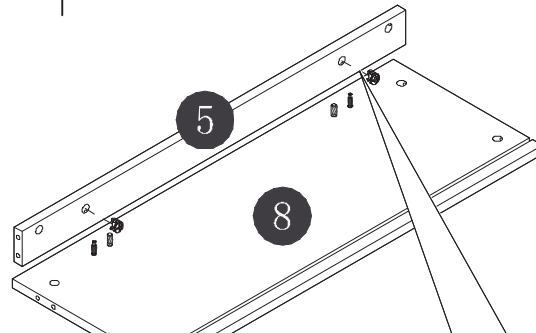


BANAK

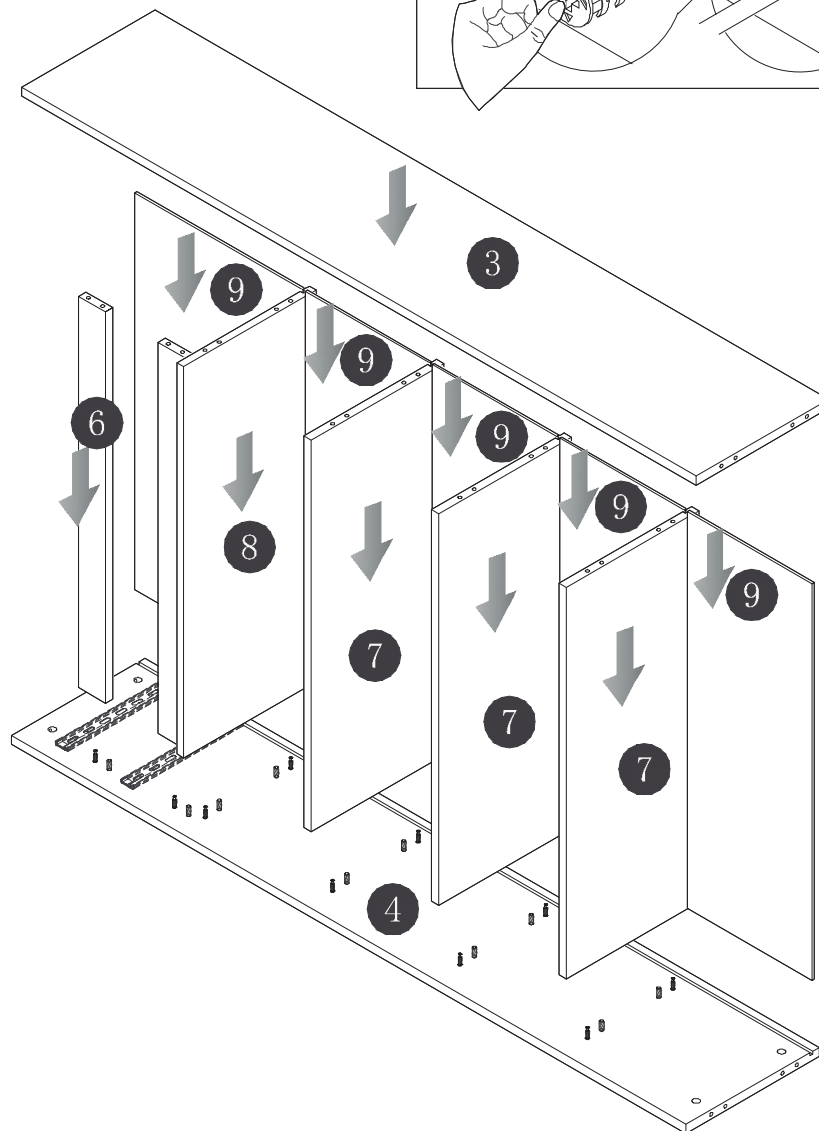
OLIVER

SC-0116

3



4

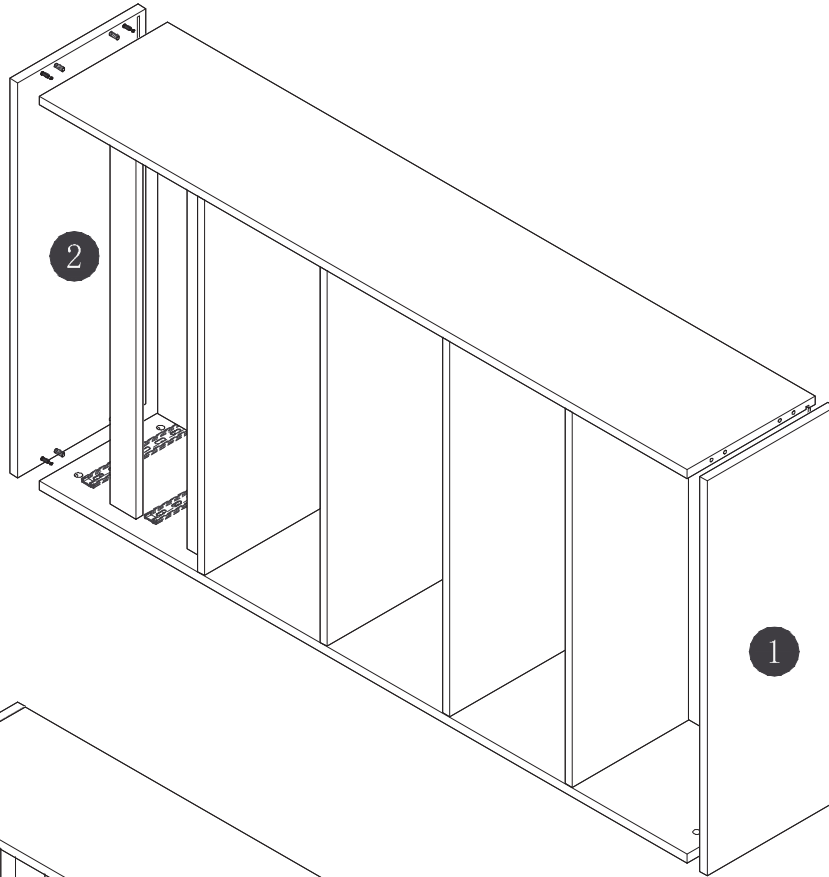


BANAK

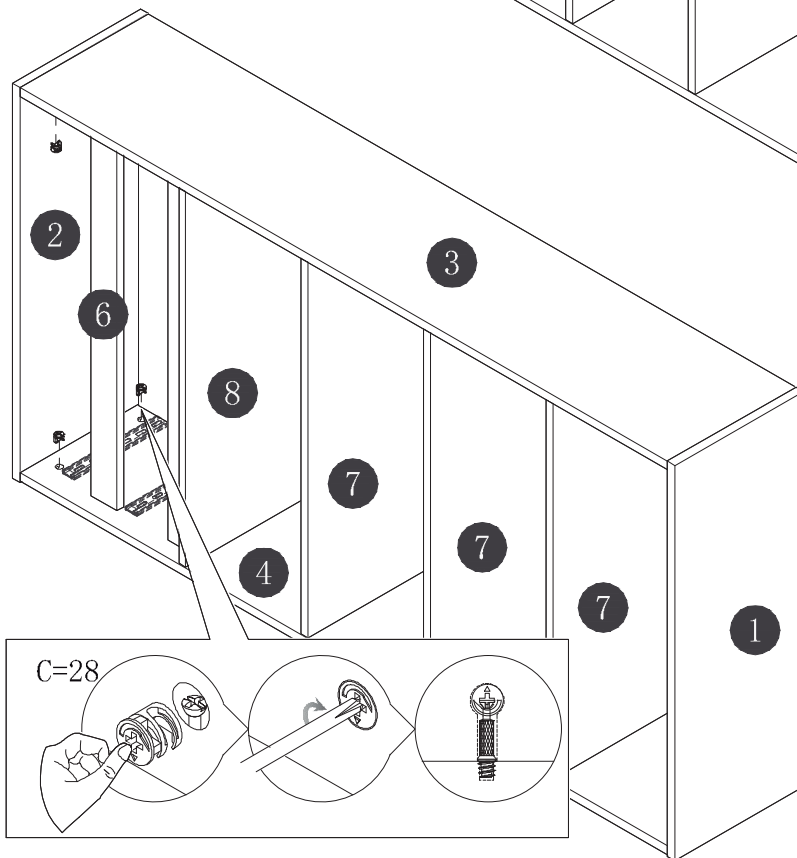
OLIVER

SC-0116

5



6

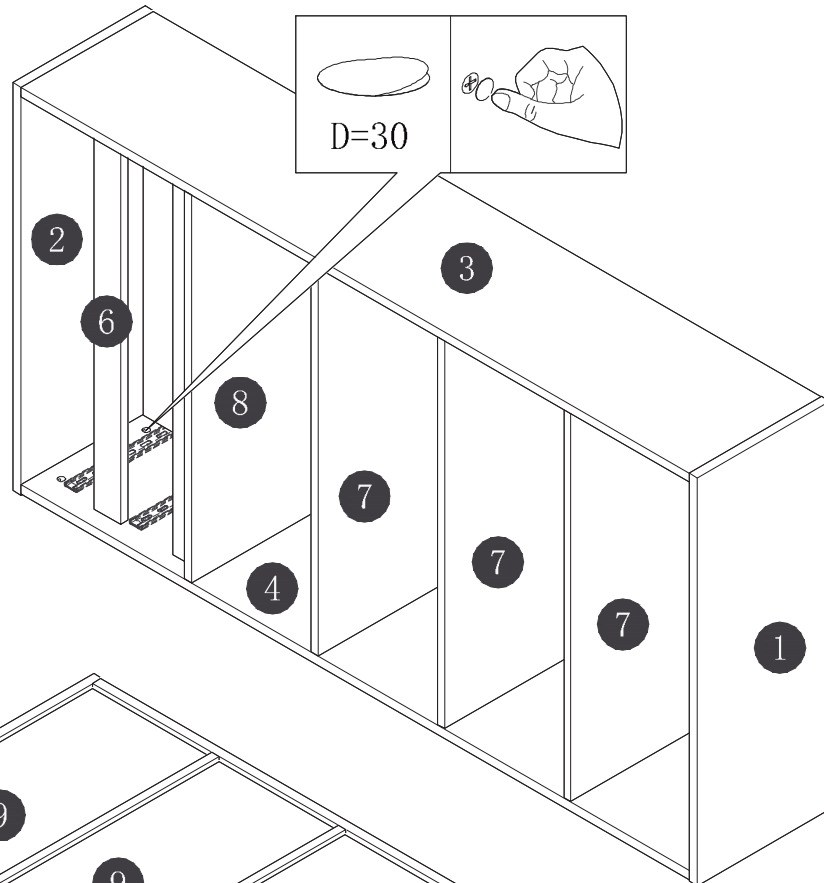


BANAK

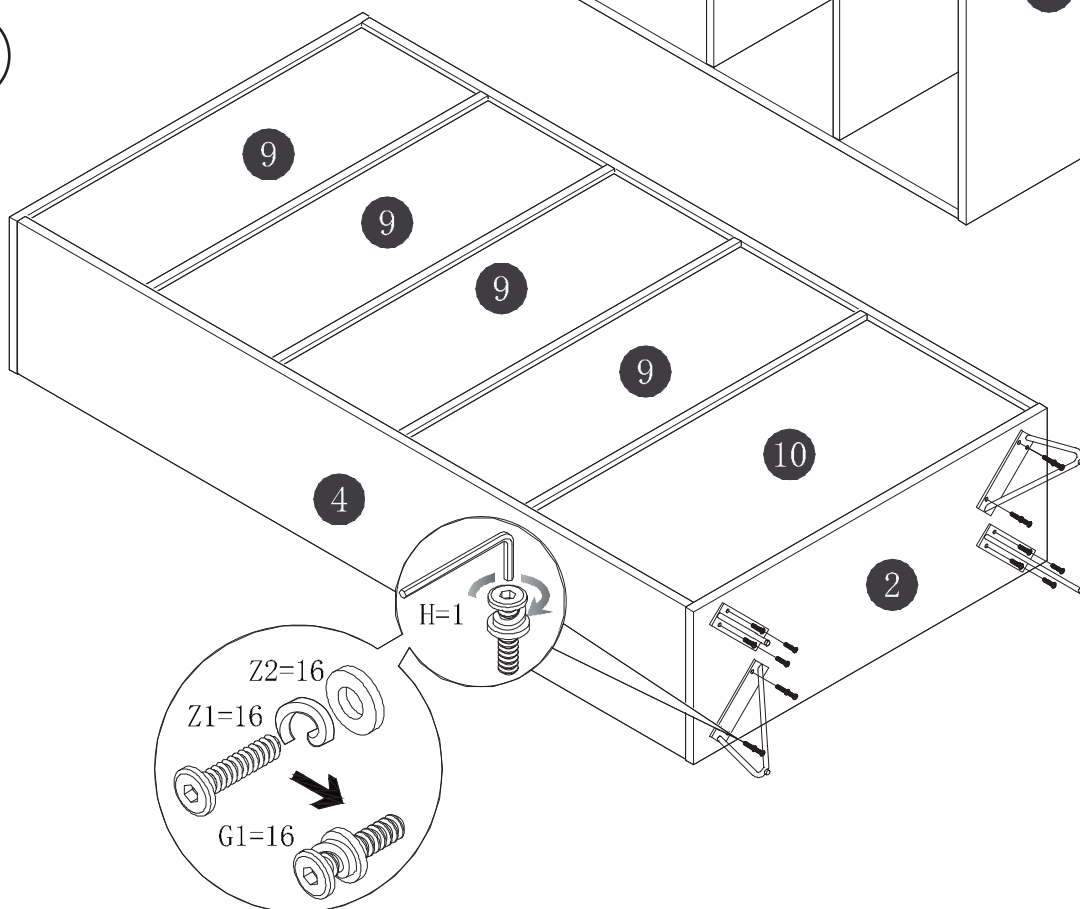
OLIVER

SC-0116

7



8

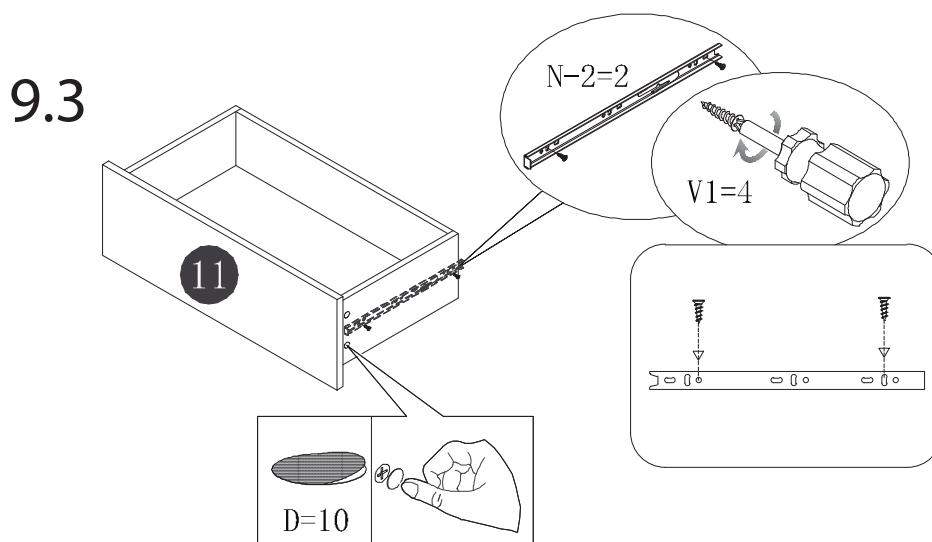
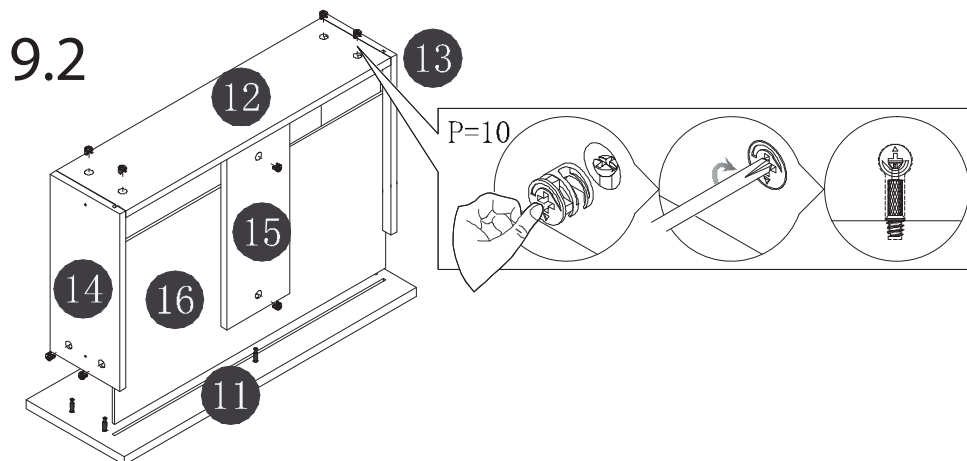
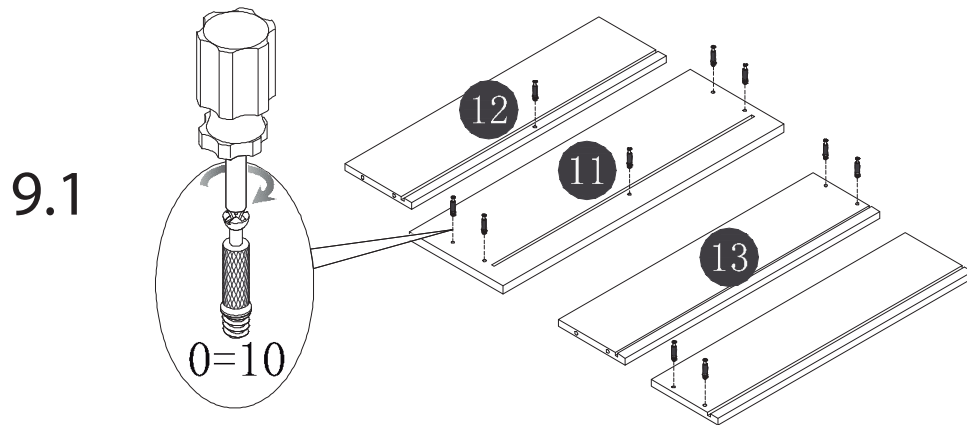


BANAK

OLIVER

SC-0116

9



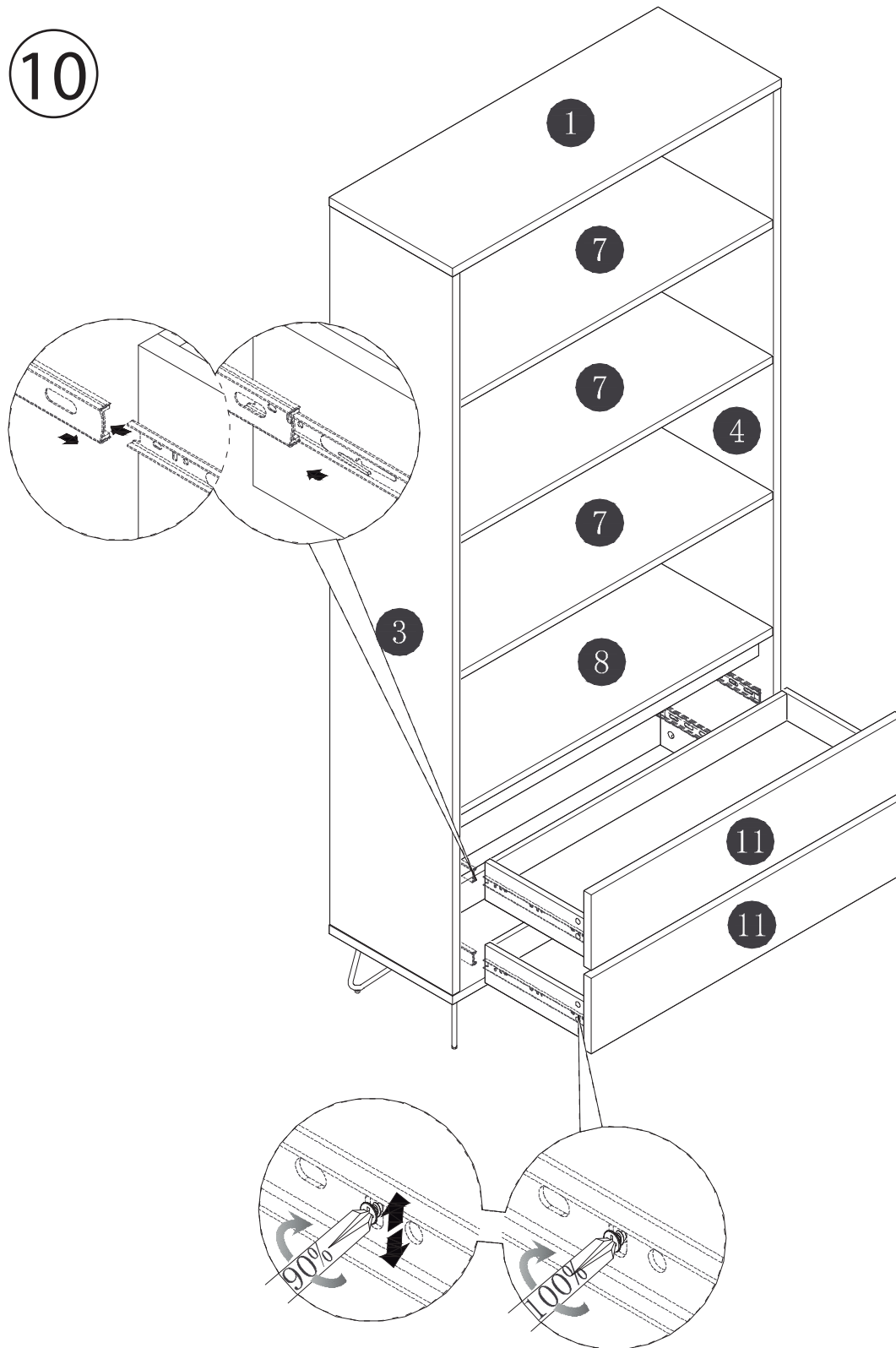
X2

BANAK

OLIVER

SC-0116

10

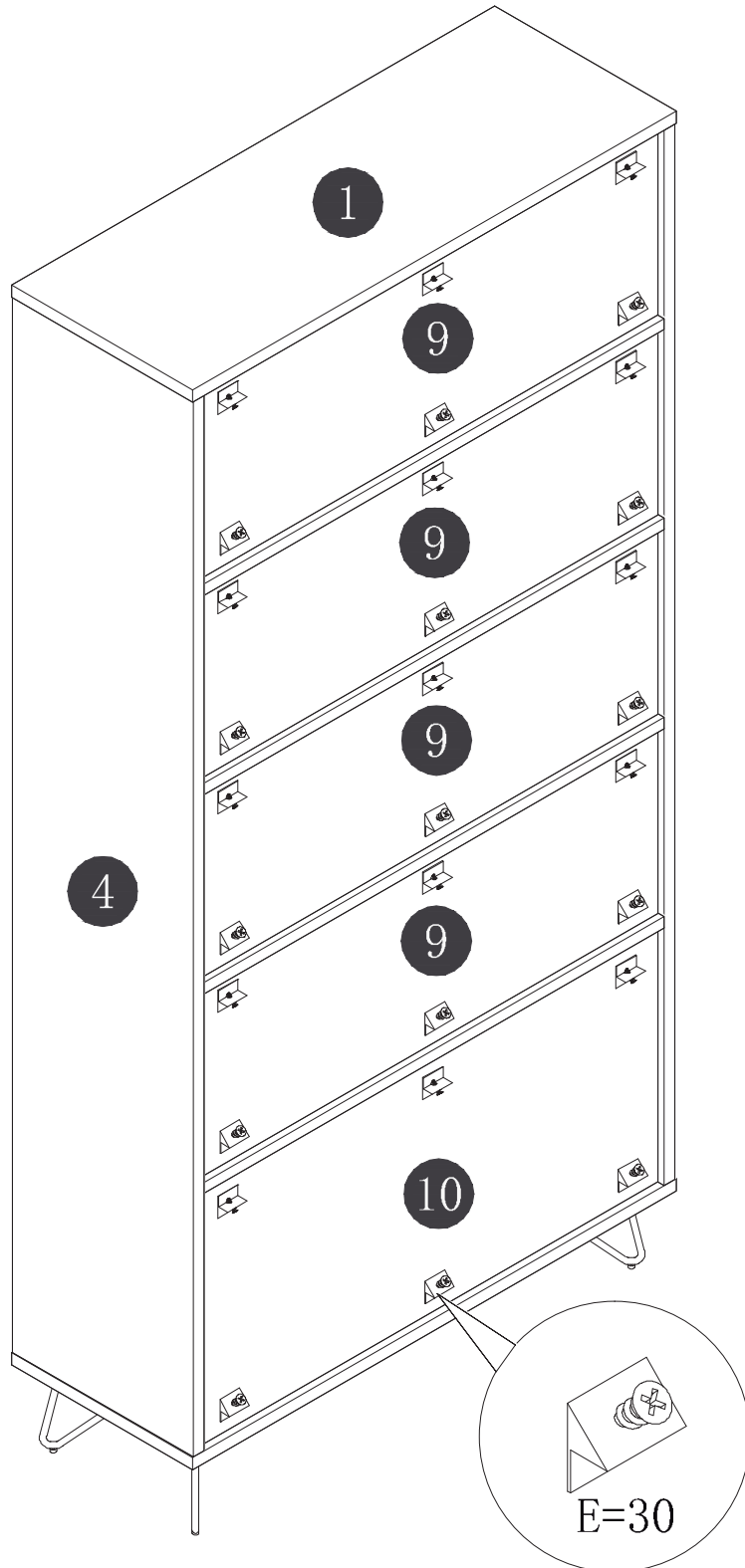


BANAK

OLIVER

SC-0116

11



BANAK

OLIVER

SC-0116

12

