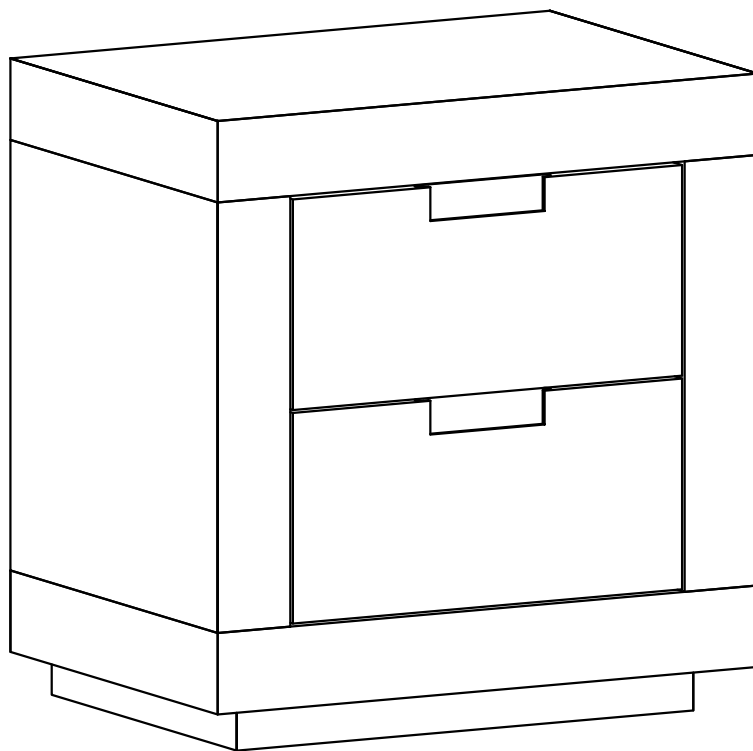


BANAK

SISAL

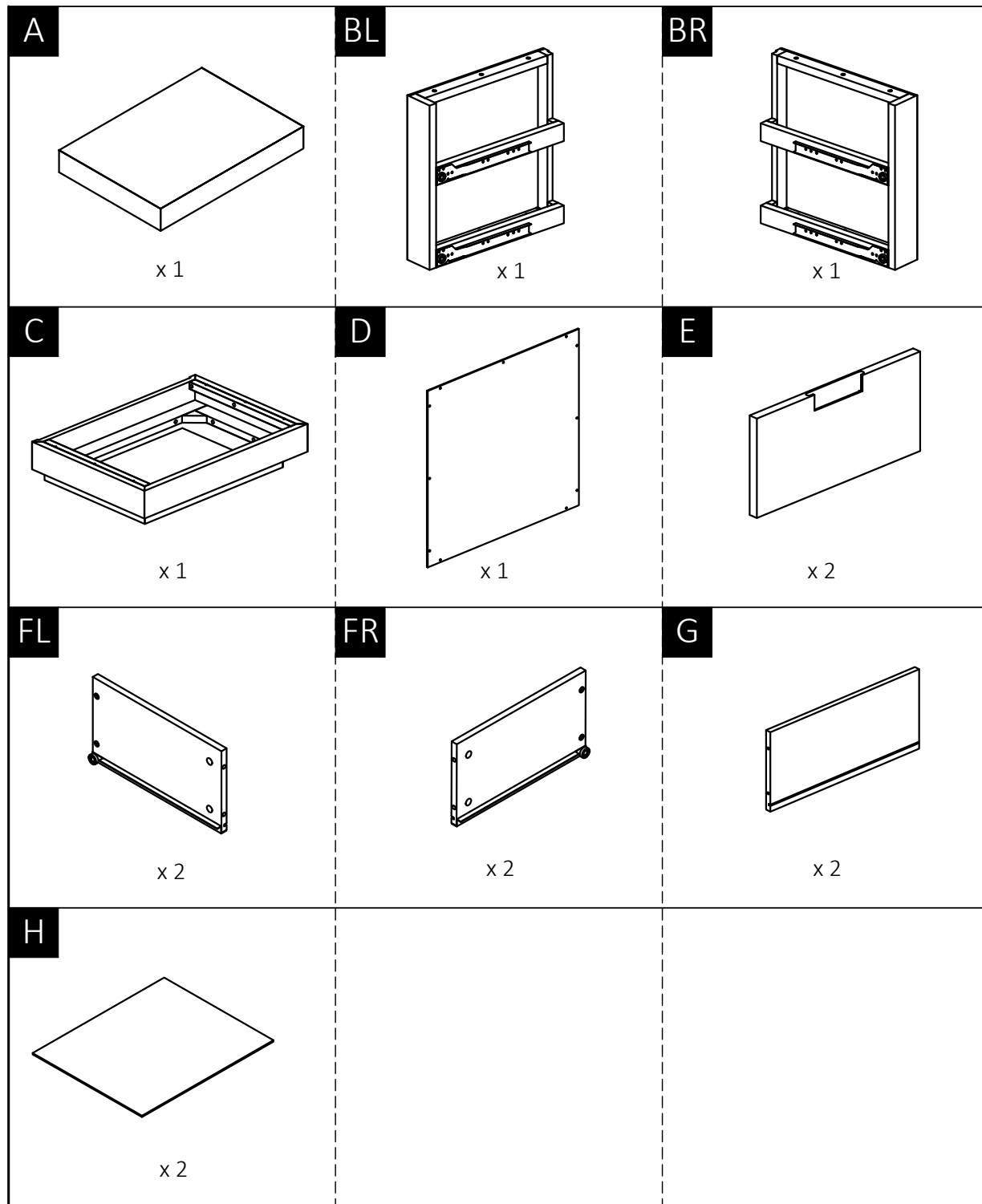
SI-0002



BANAK

SISAL

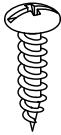

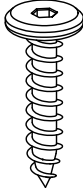
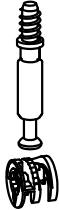
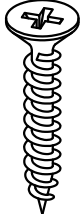
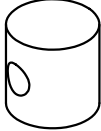
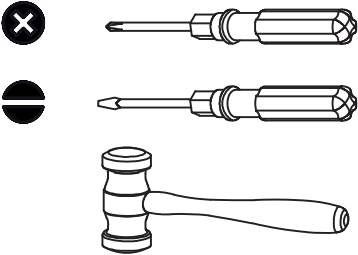

SI-0002



BANAK

SISAL

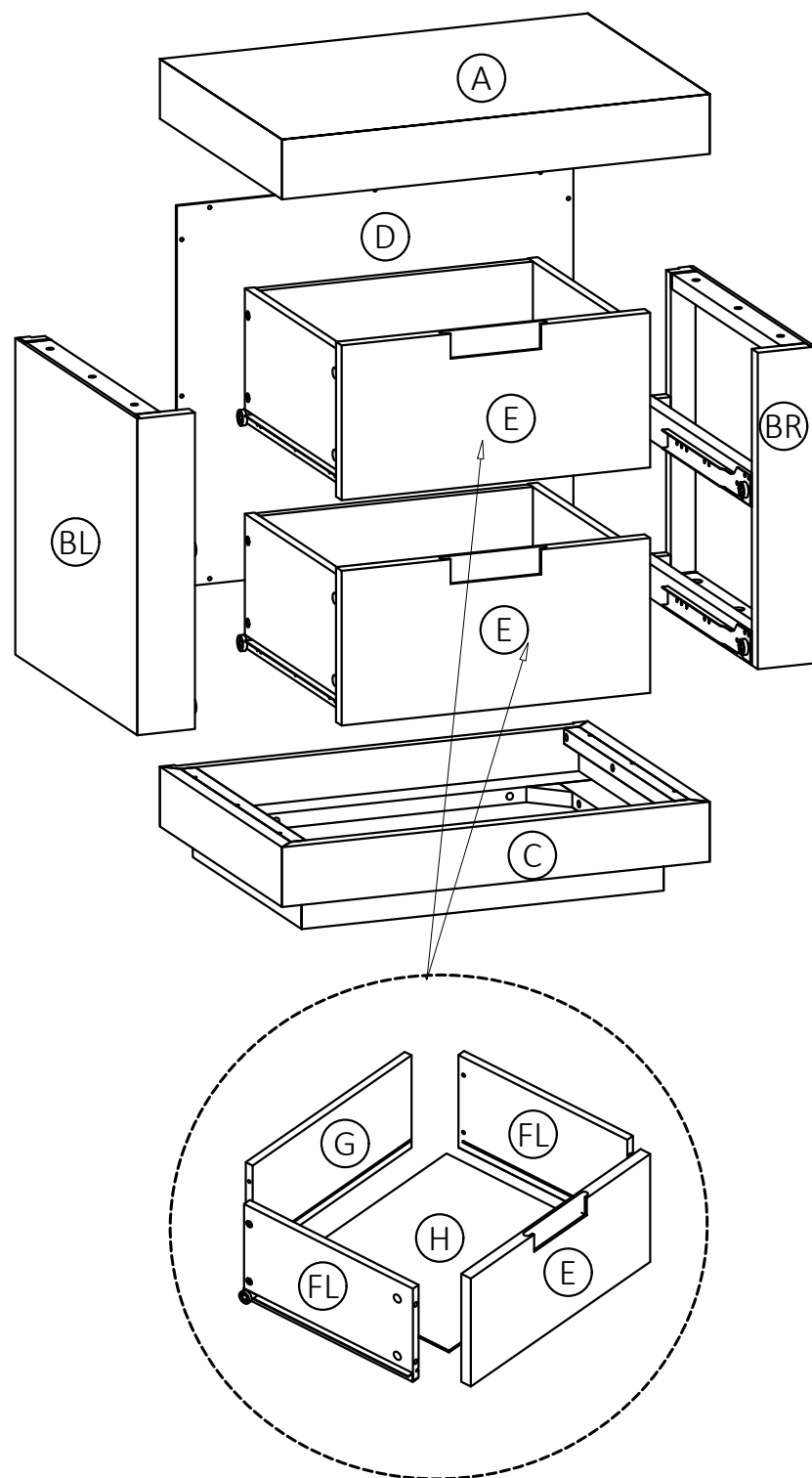
SI-0002

<p>1</p>  <p>M4 X 15mm x 12</p>	<p>2</p>  <p>x 1</p>	<p>3</p>  <p>M6 X 30mm x 12</p>
<p>4</p>  <p>Ø12X10 x 8</p>	<p>5</p>  <p>M4 X 30mm x 8</p>	<p>6</p>  <p>M8 X 8mm x 8</p>
 		

BANAK

SISAL

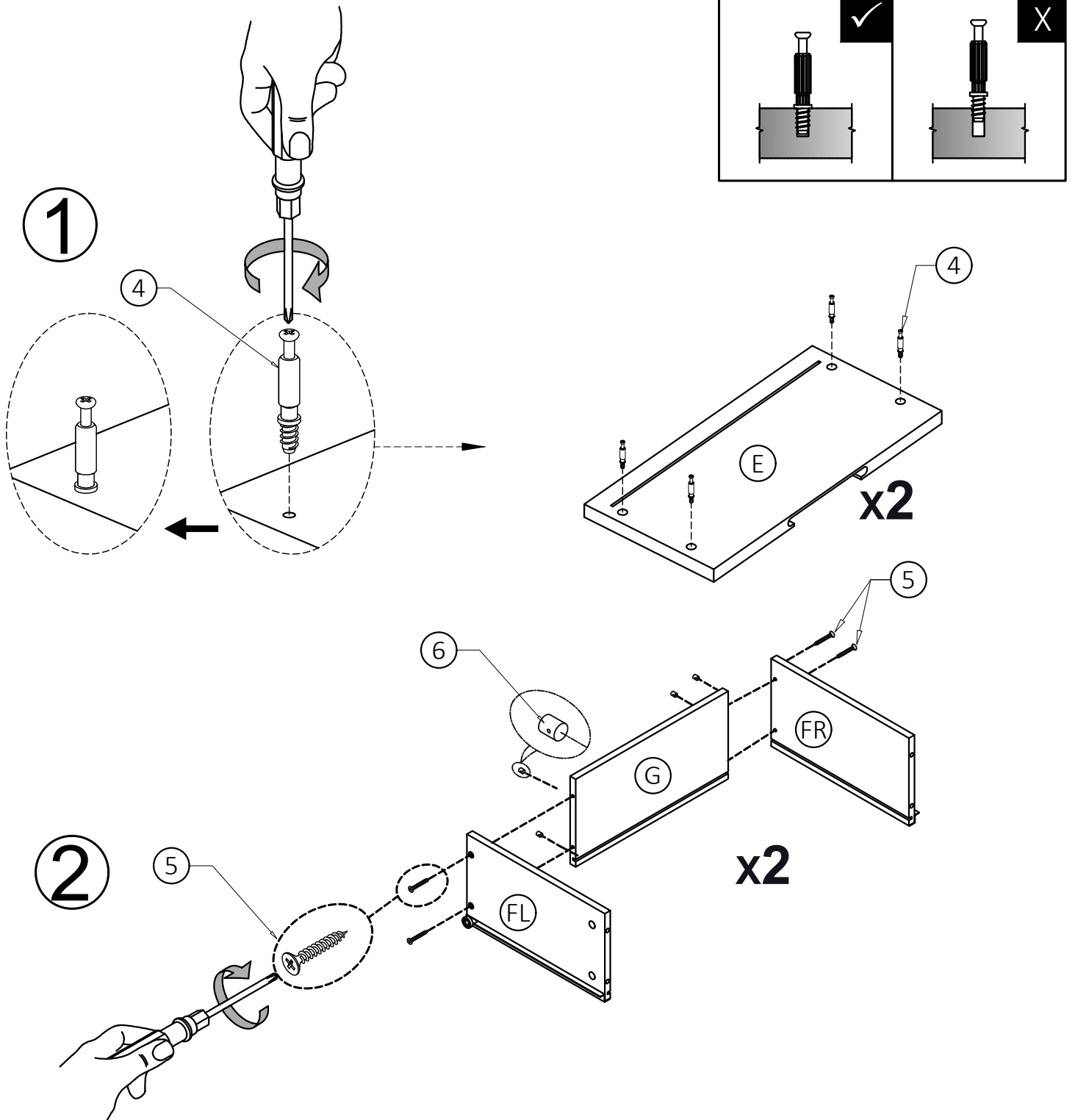
SI-0002



BANAK

SISAL

SI-0002

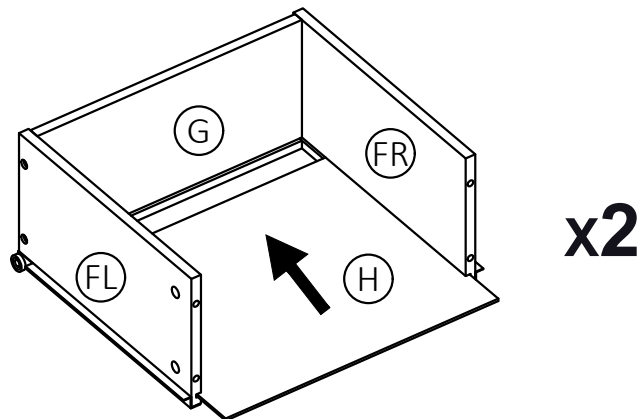


BANAK

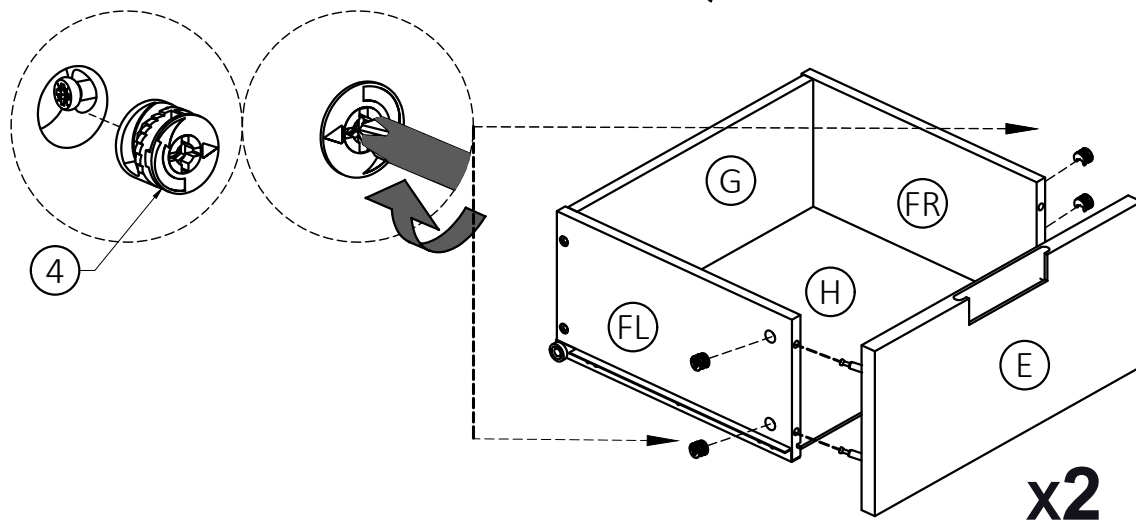
SISAL

SI-0002

3



4

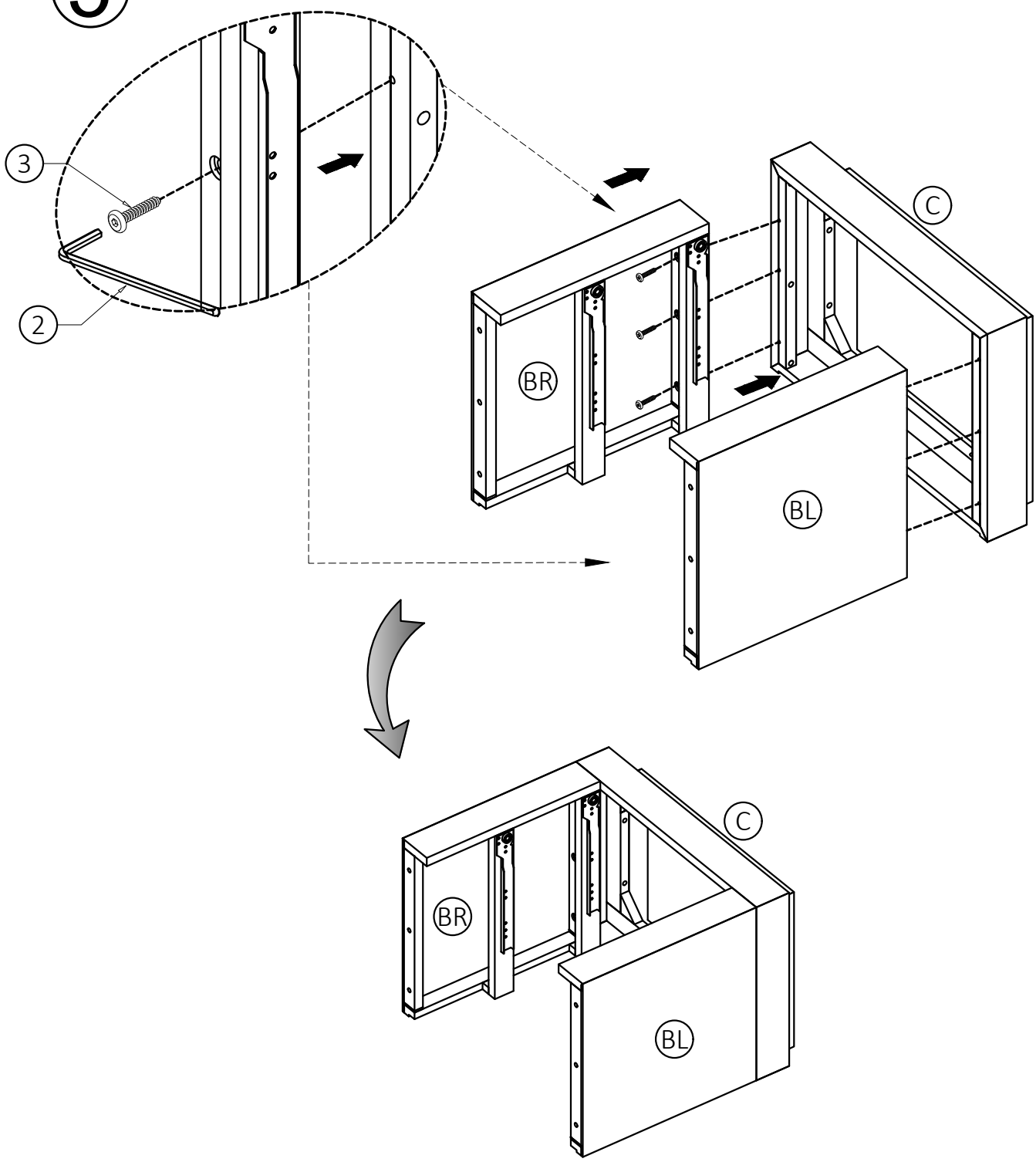


BANAK

SISAL

SI-0002

5

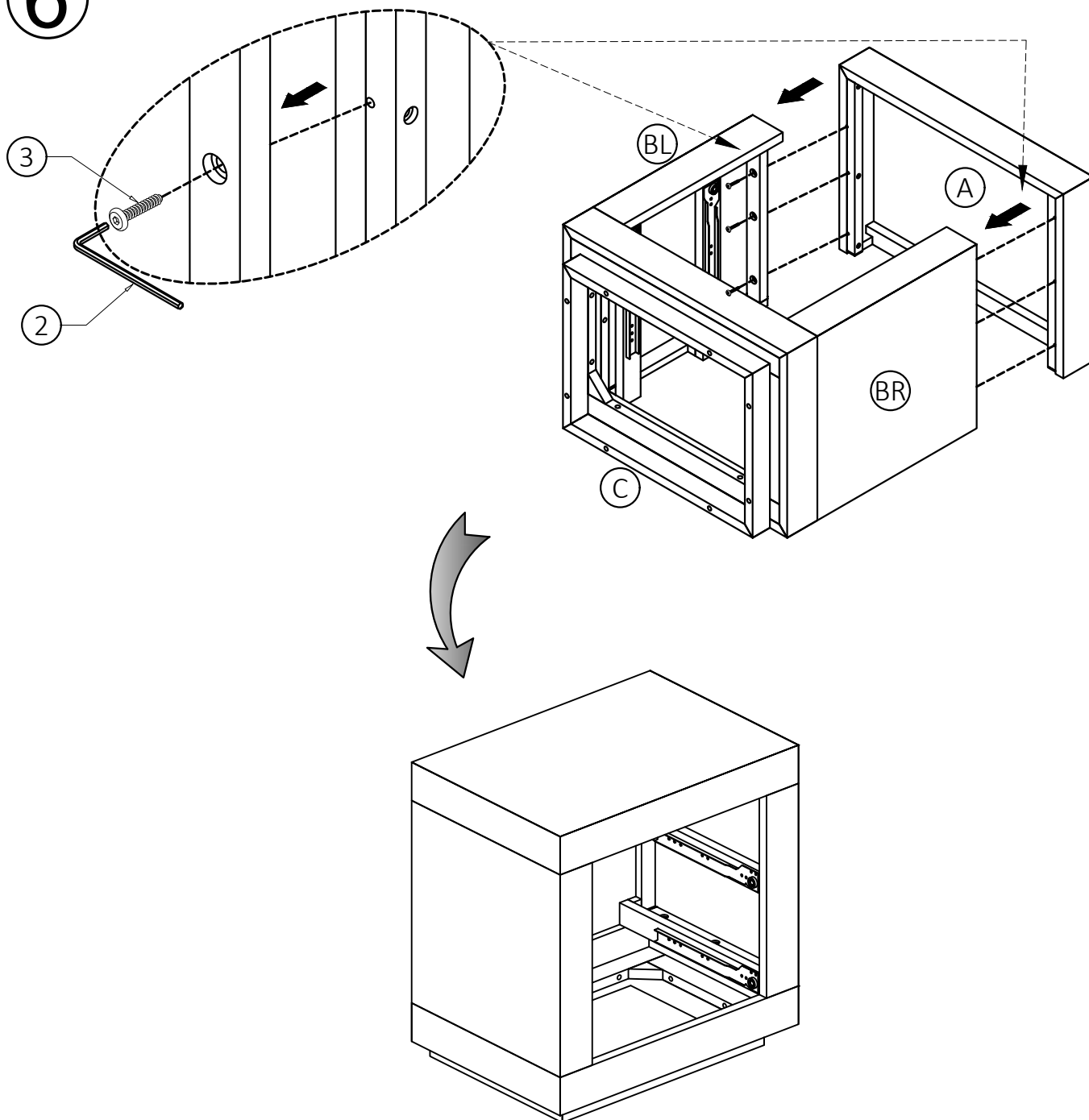


BANAK

SISAL

SI-0002

⑥

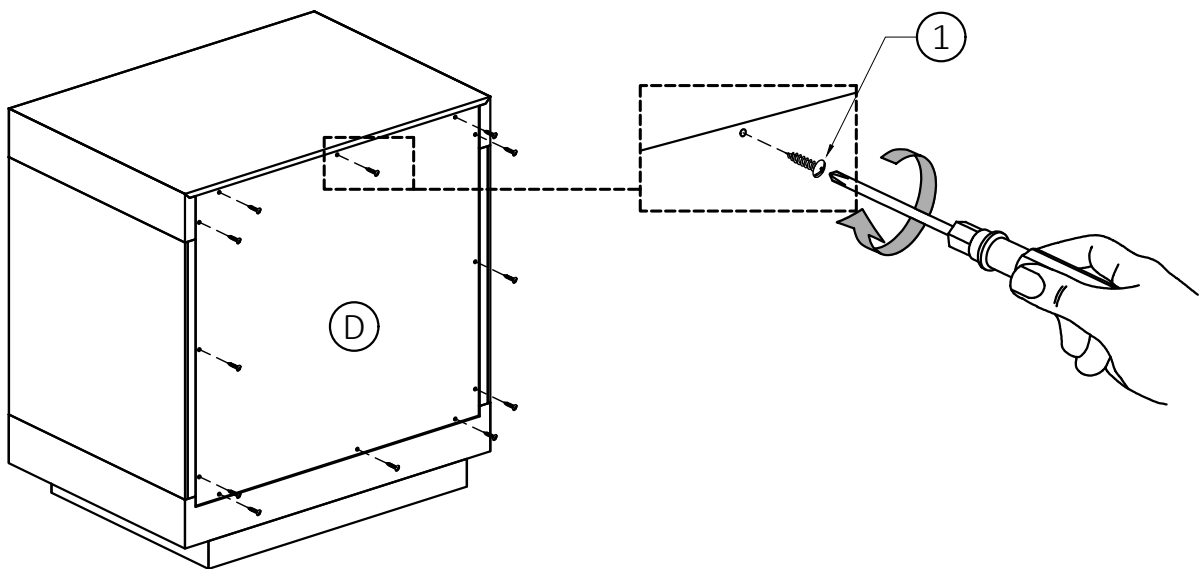
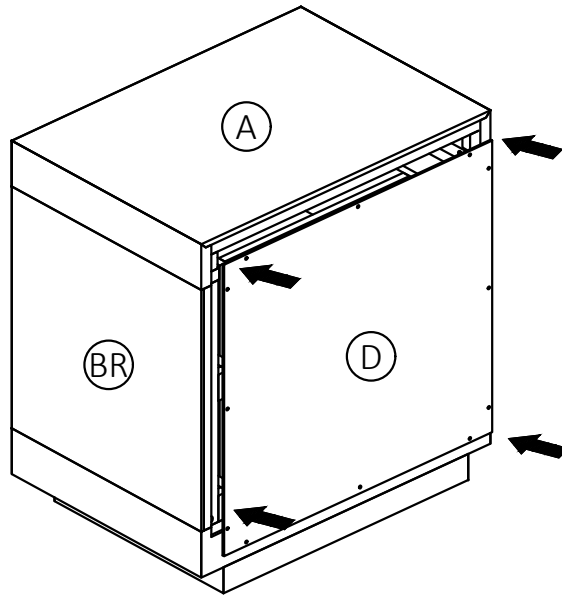


BANAK

SISAL

SI-0002

7



BANAK

SISAL

SI-0002

8

