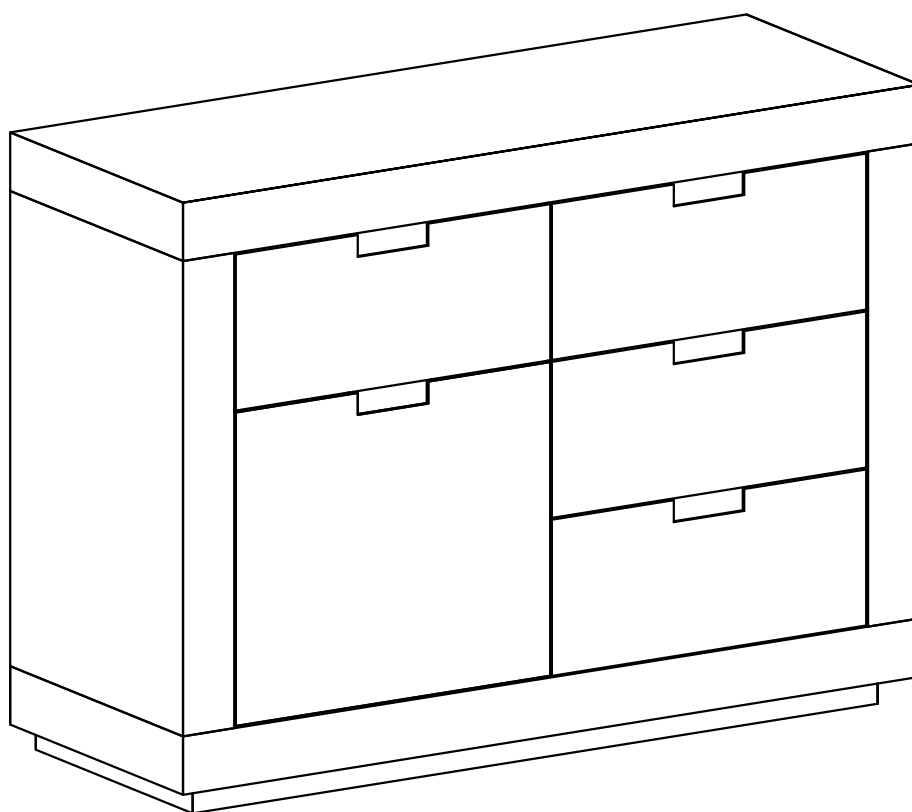


# BANAK

# SISAL

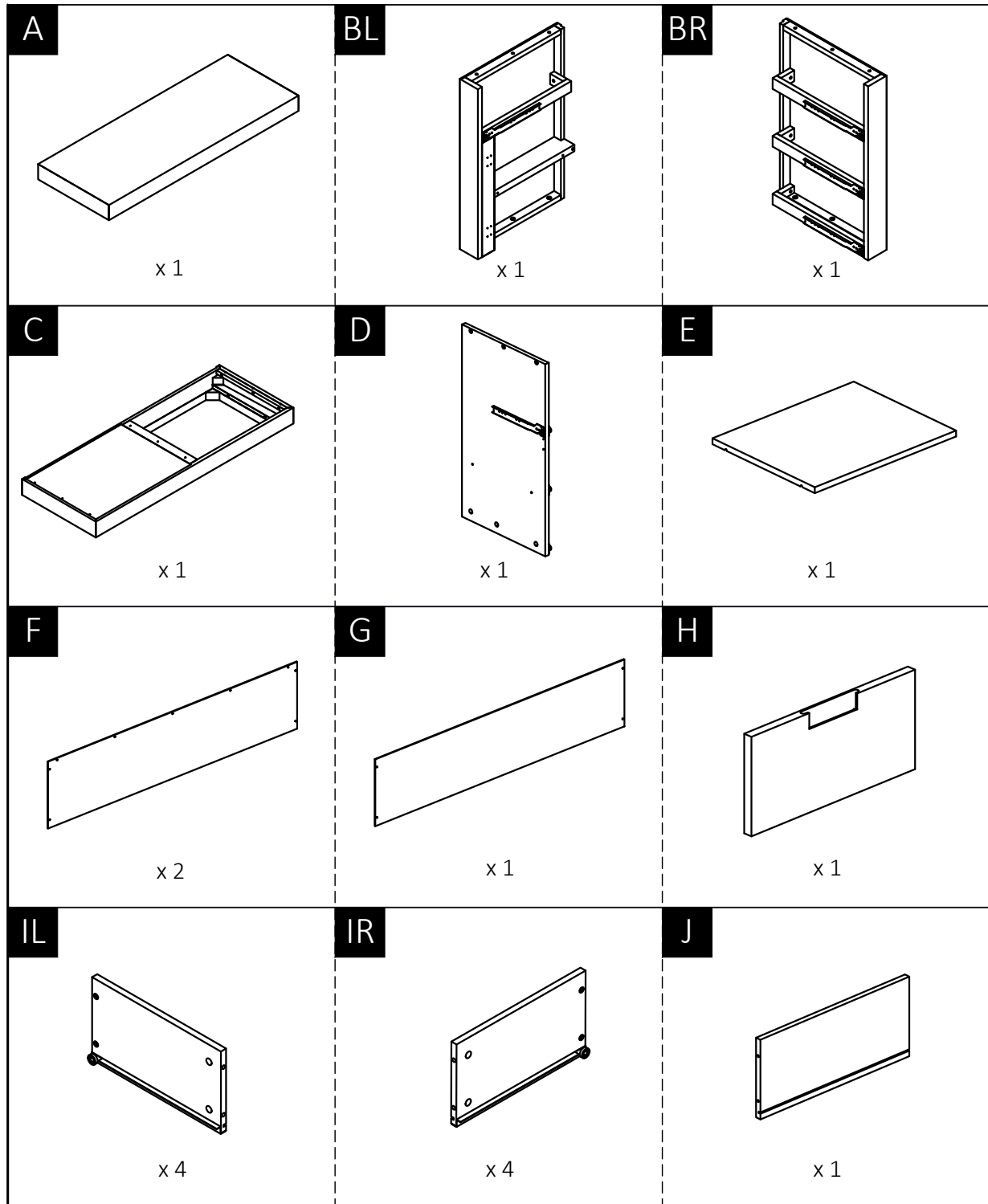
SI-0003



# BANAK

# SISAL

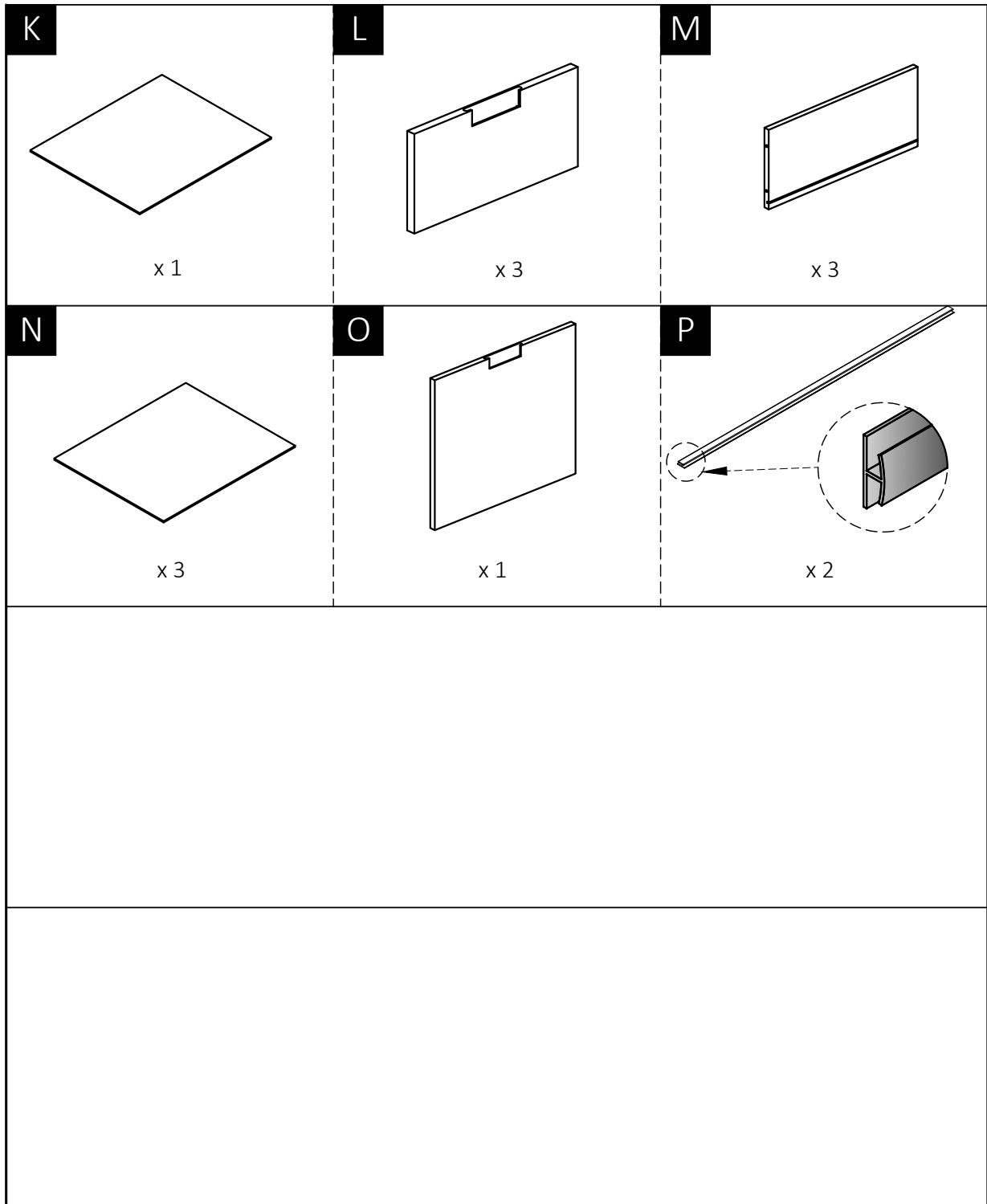
SI-0003



# BANAK

# SISAL

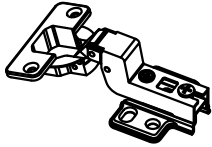
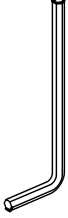
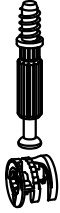
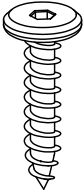
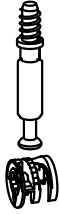
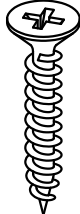
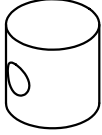
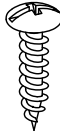
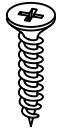
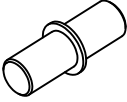

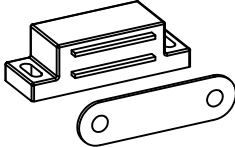

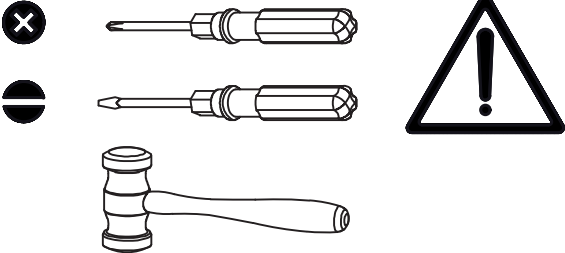
SI-0003



# BANAK

# SISAL

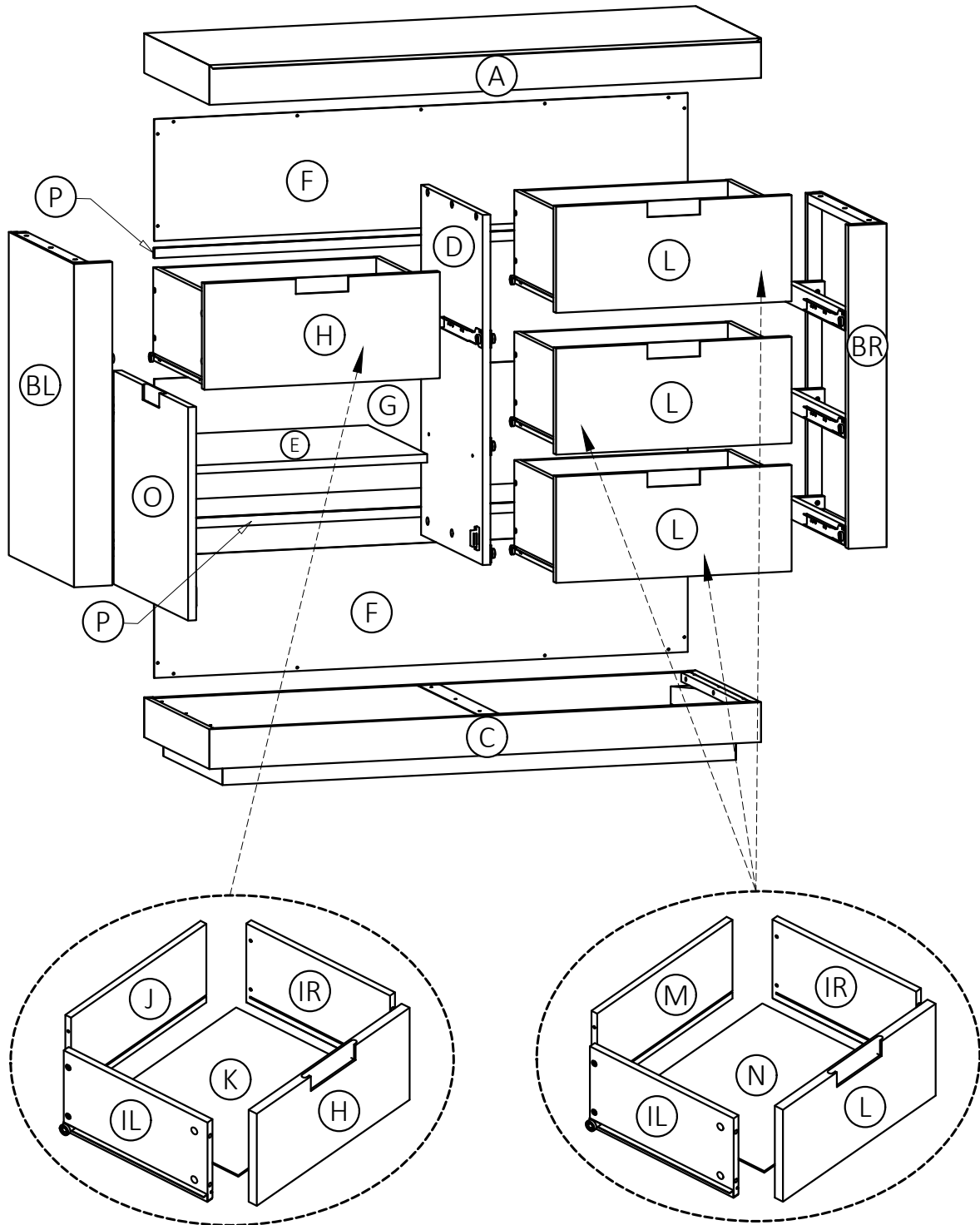
SI-0003

<p>1</p>  <p>x 2</p>	<p>2</p>  <p>x 1</p>	<p>3</p>  <p>Ø15 X 10 x 3</p>	<p>4</p>  <p>M6 X 30mm x 15</p>
<p>5</p>  <p>Ø12 X 10 x 16</p>	<p>6</p>  <p>M4 X 30mm x 16</p>	<p>7</p>  <p>M8 X 8mm x 16</p>	<p>8</p>  <p>M4 X 15mm x 30</p>
<p>9</p>  <p>M3 X 15mm x 4</p>	<p>10</p>  <p>x 4</p>	<p>11</p>  <p>M4 X 15mm x 12</p>	<p>12</p>  <p>x 1</p>
<p>13</p>  <p>x 3</p>			

# BANAK

# SISAL

SI-0003

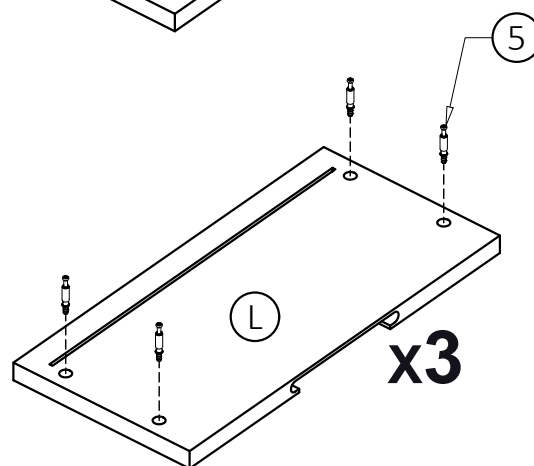
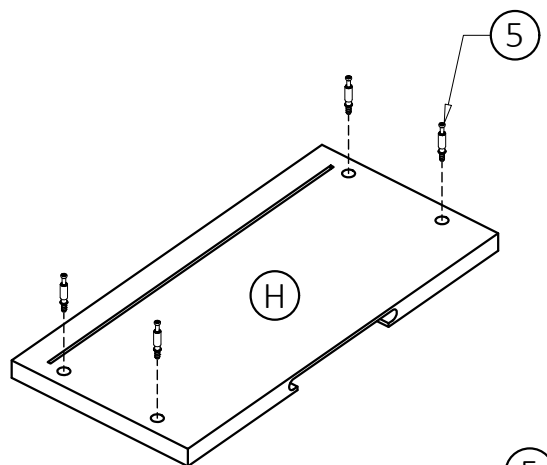
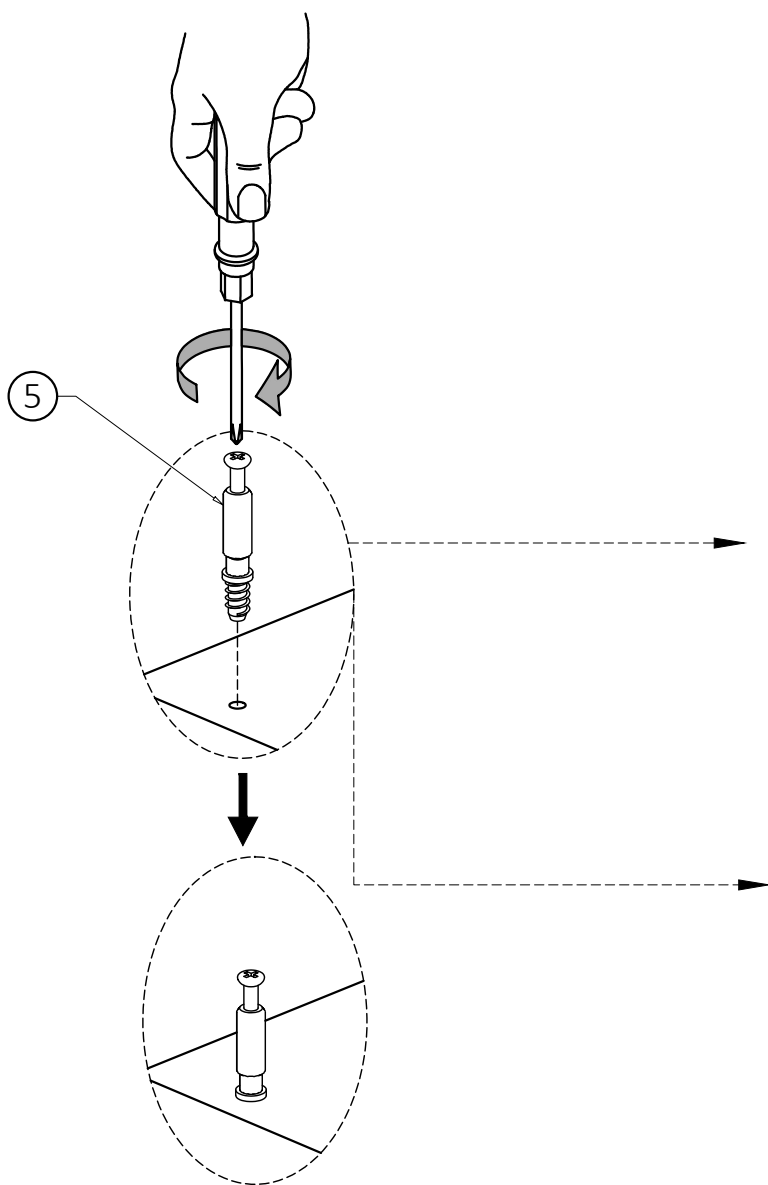
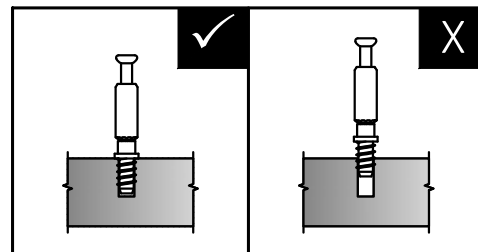


# BANAK

# SISAL

SI-0003

①

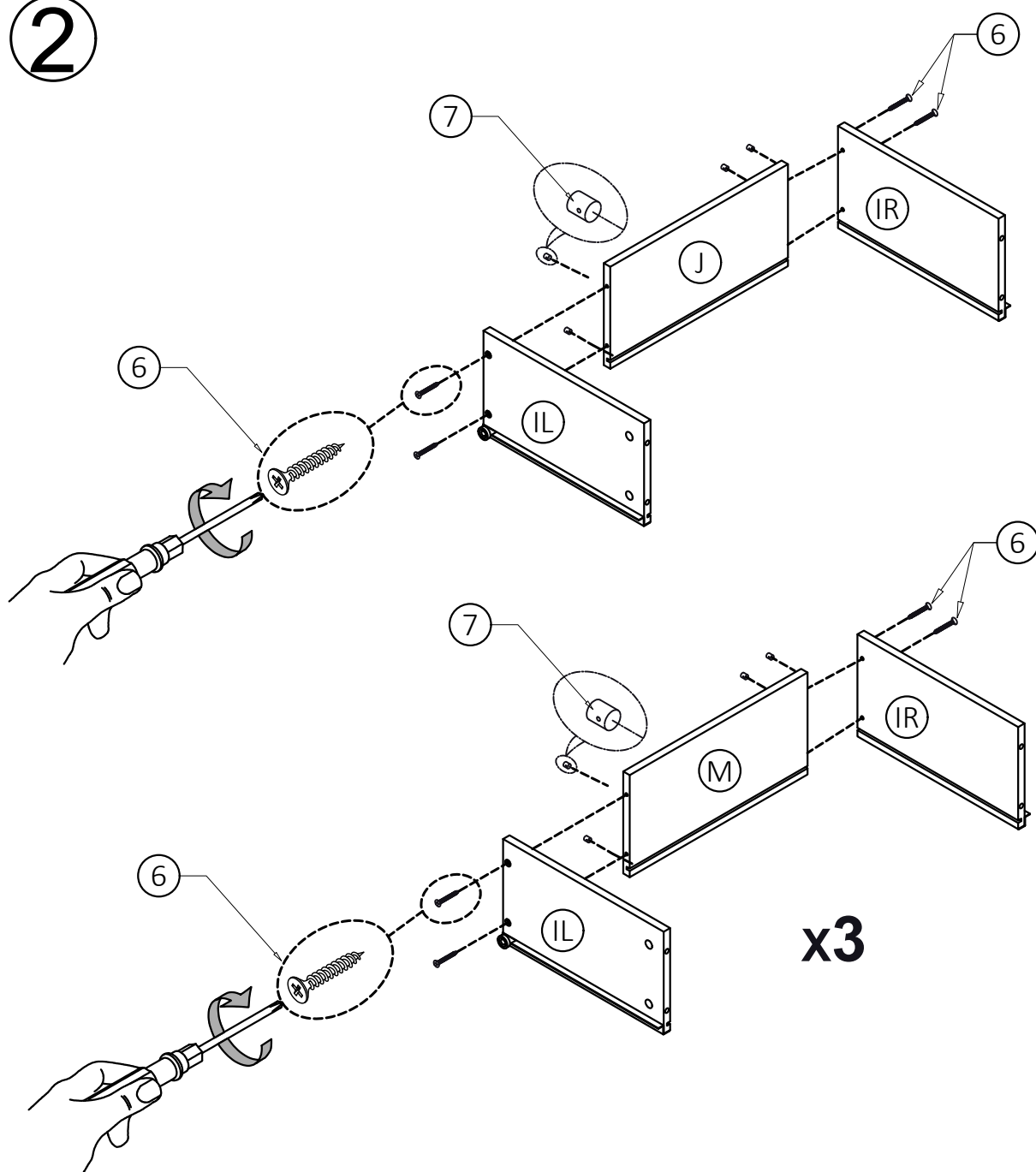


# BANAK

# SISAL

SI-0003

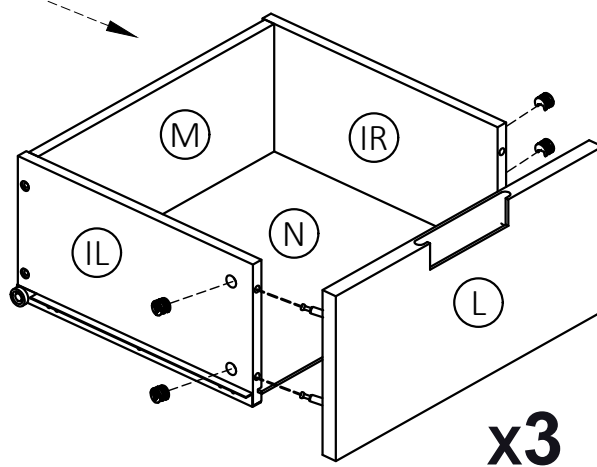
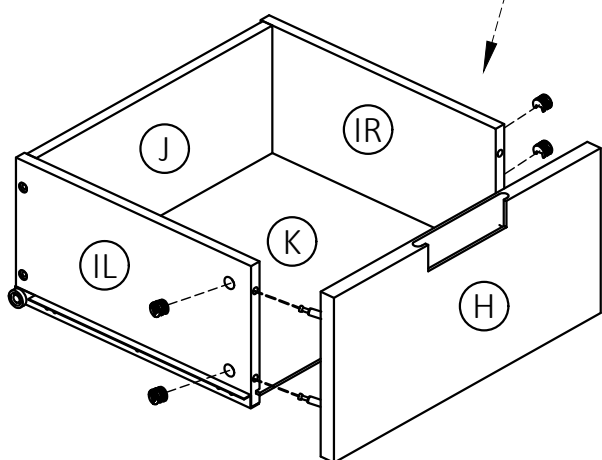
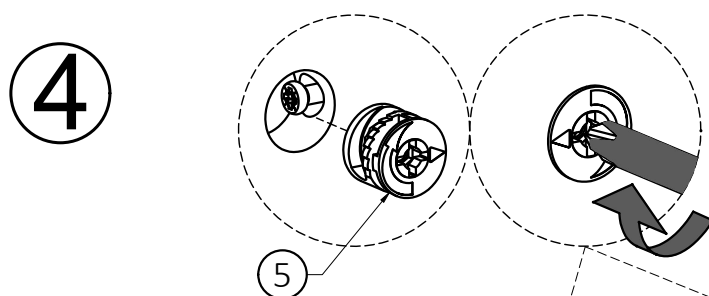
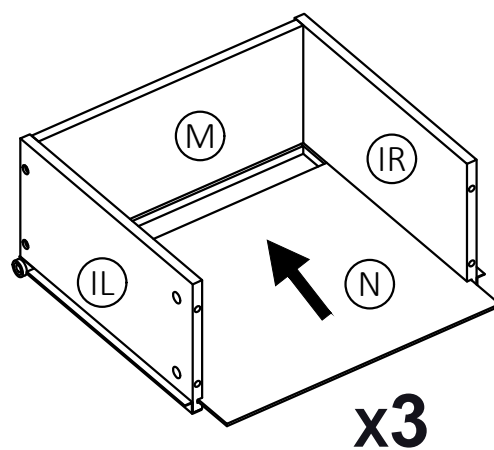
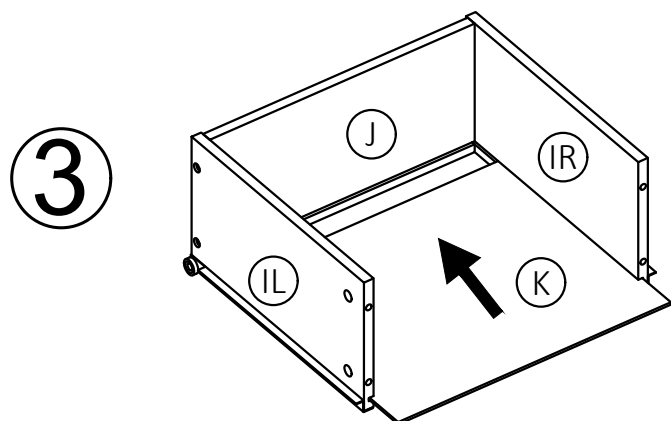
2



# BANAK

# SISAL

SI-0003



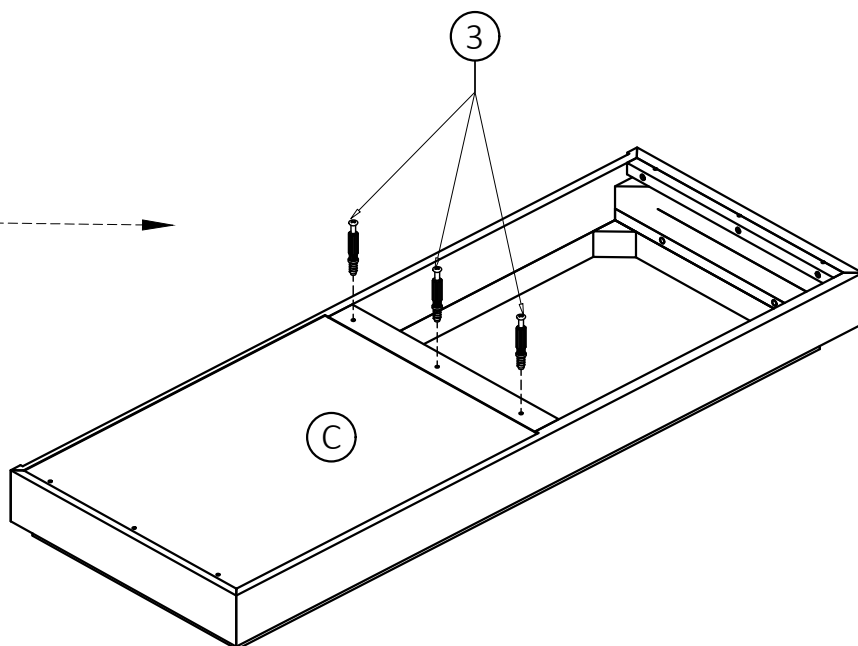
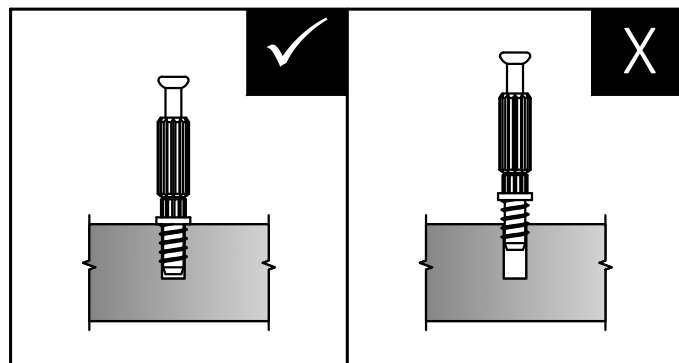
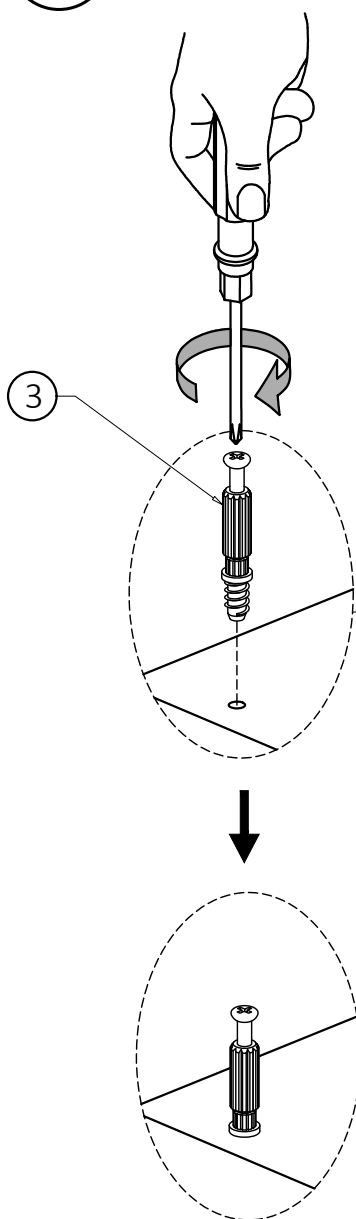


# BANAK

# SISAL

SI-0003

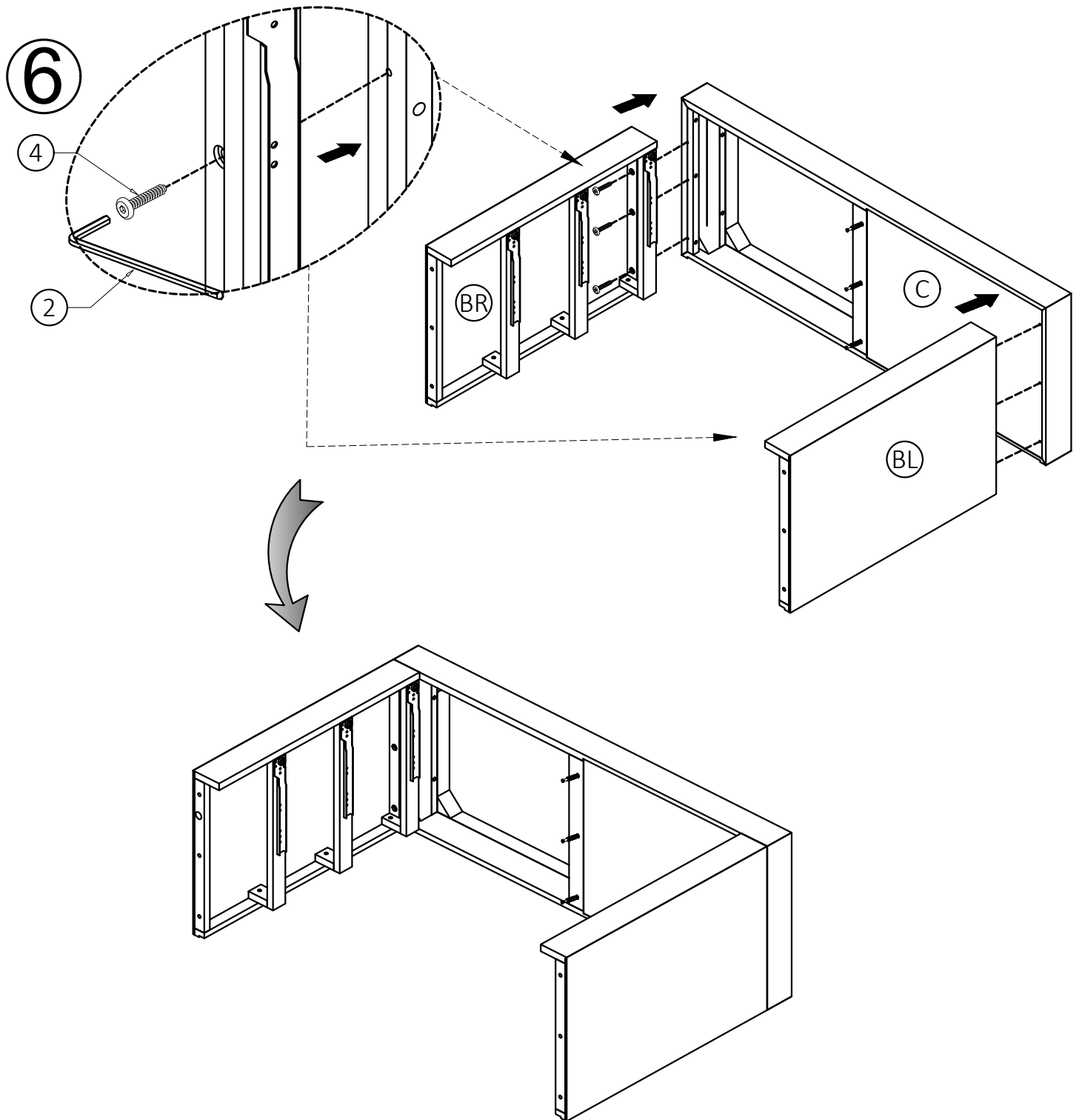
5



# BANAK

# SISAL

SI-0003

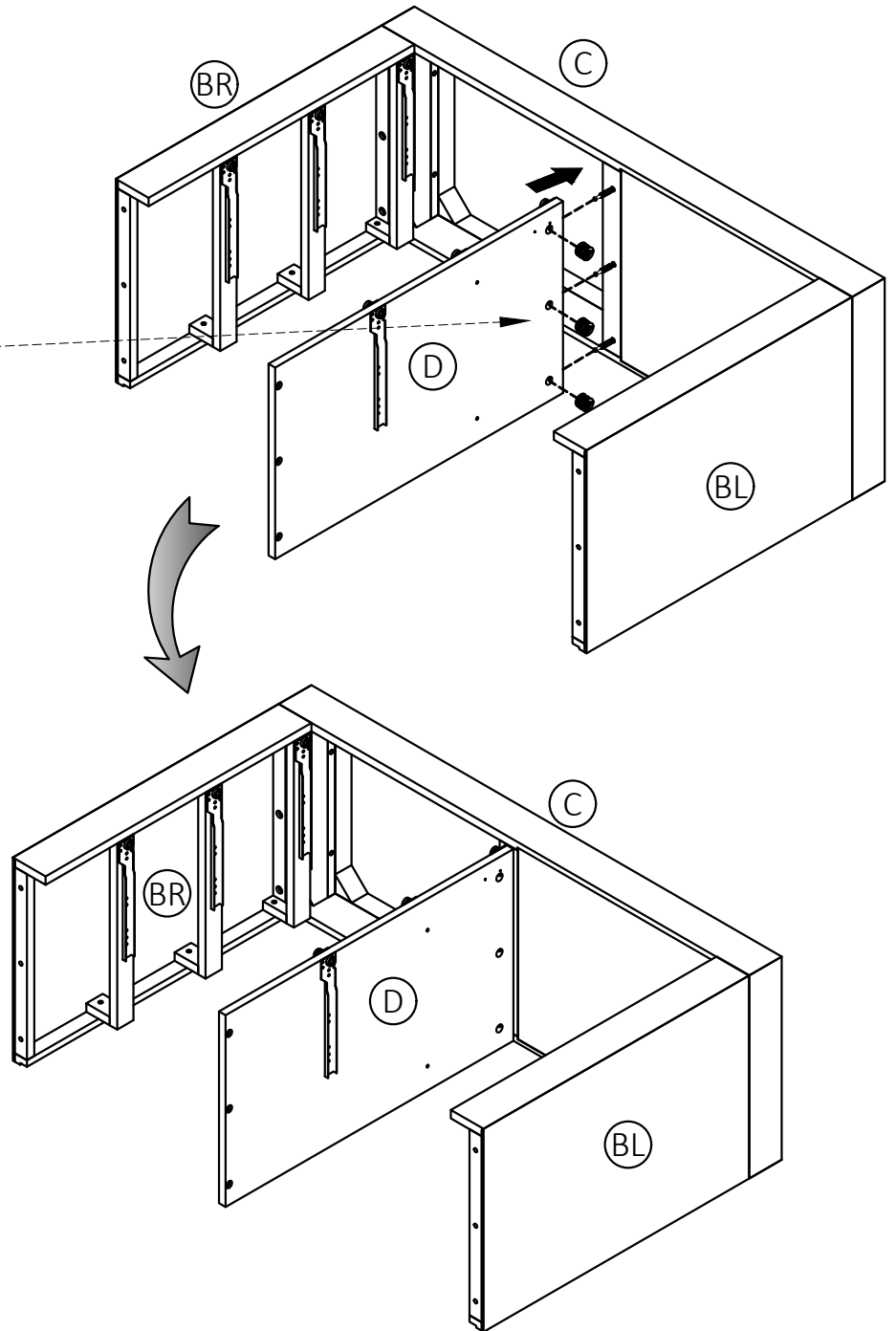
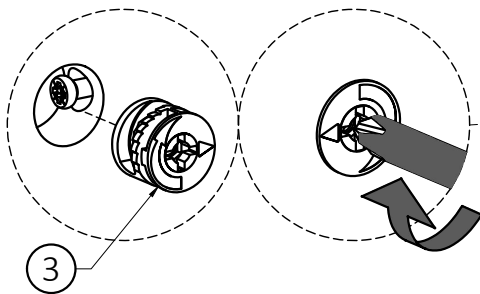


# BANAK

# SISAL

SI-0003

7

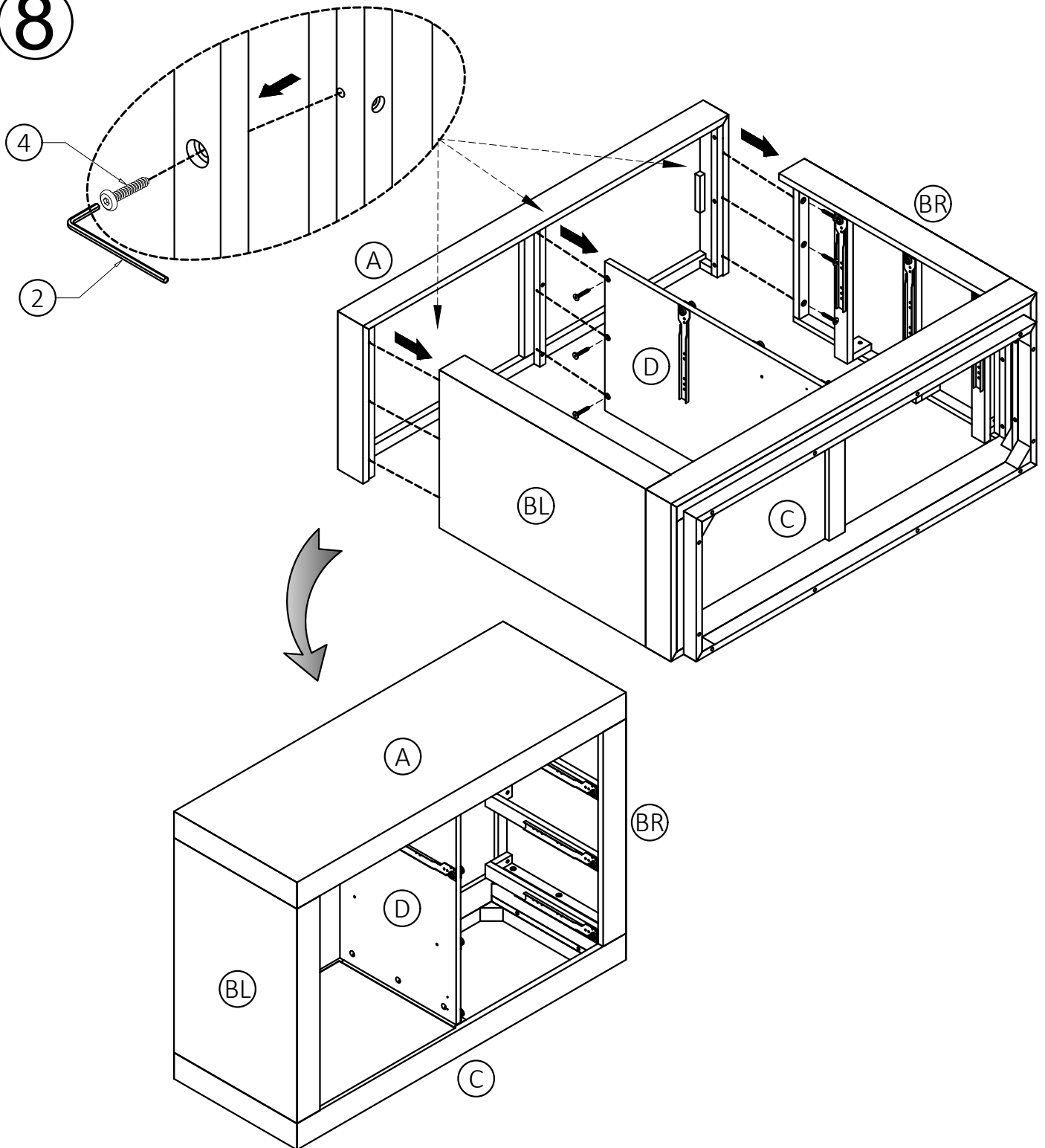


# BANAK

# SISAL

SI-0003

8

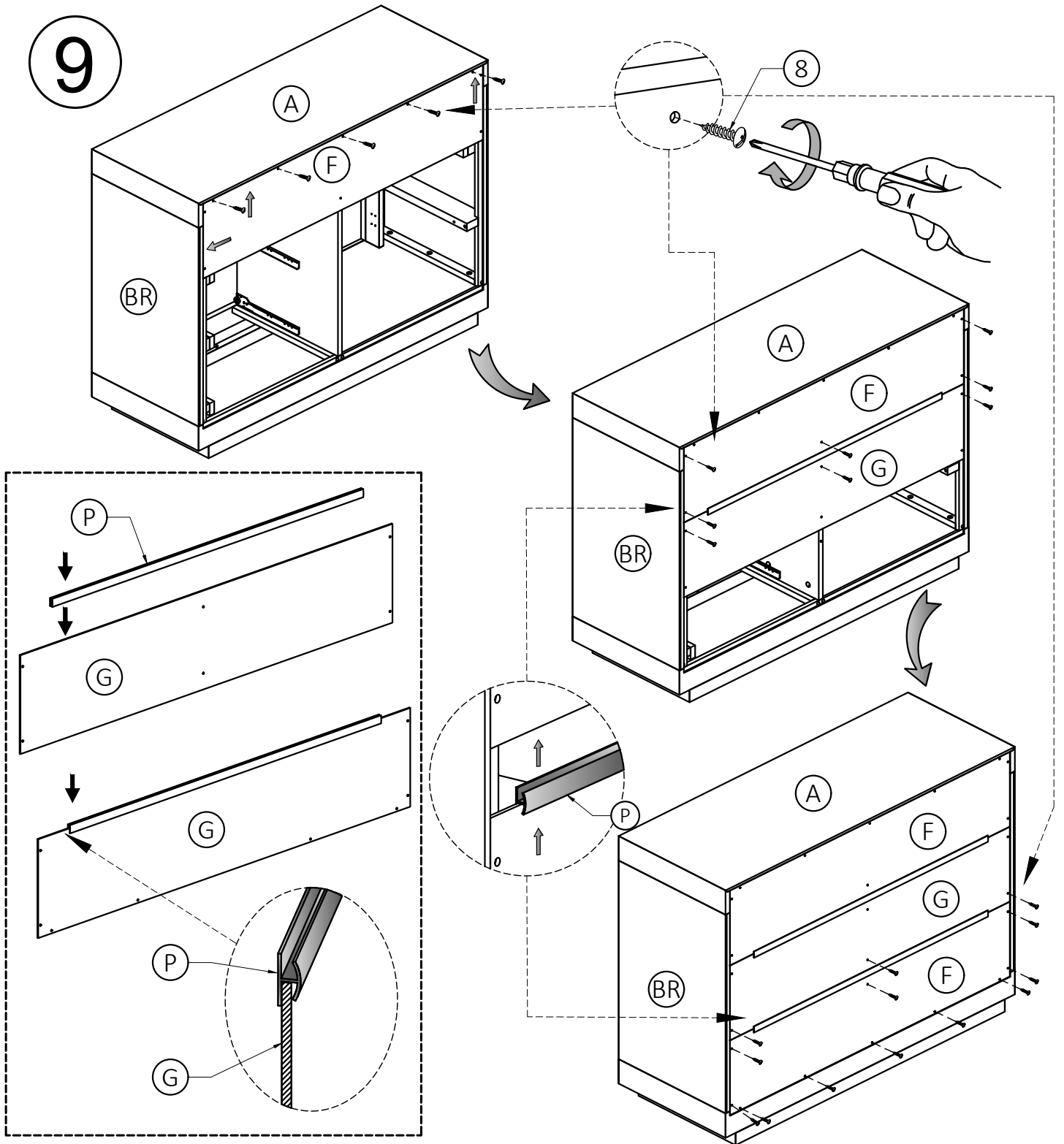


# BANAK

# SISAL

SI-0003

9

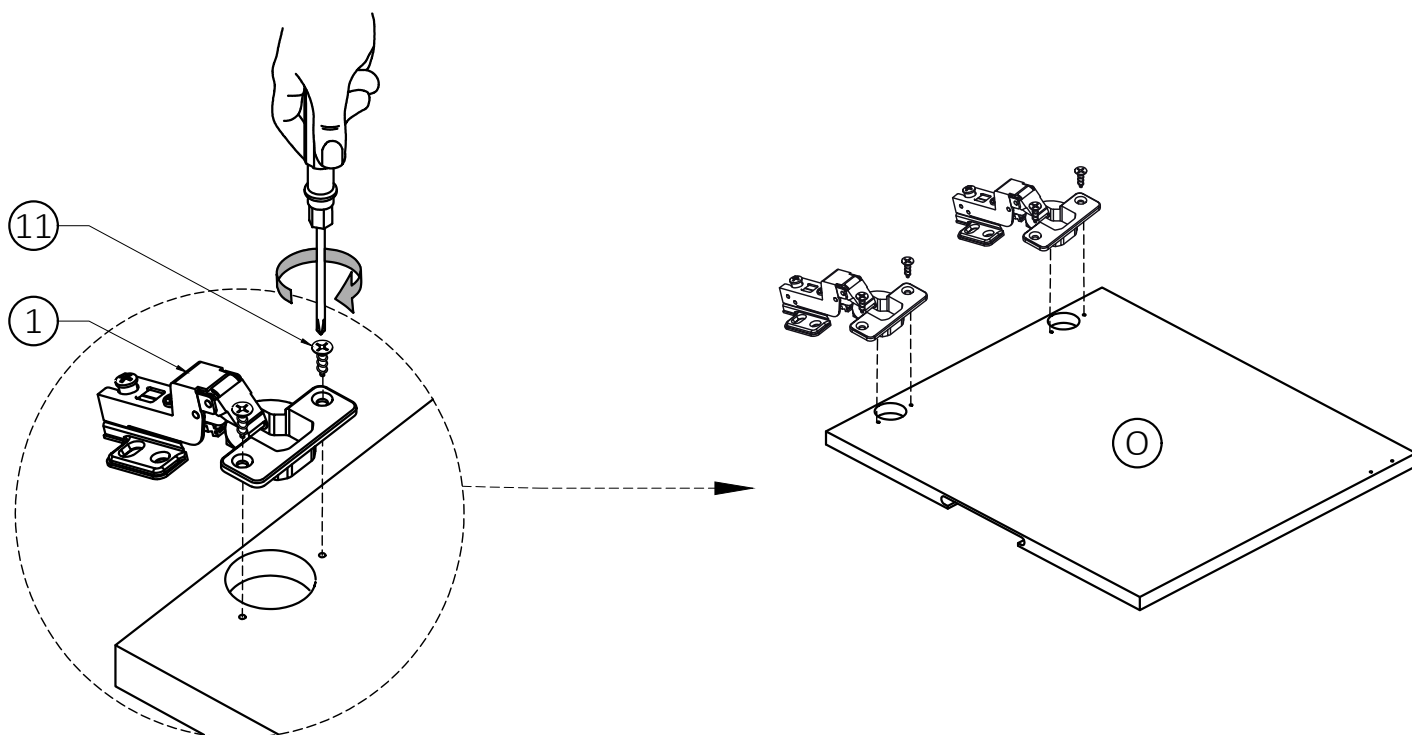


# BANAK

# SISAL

SI-0003

10

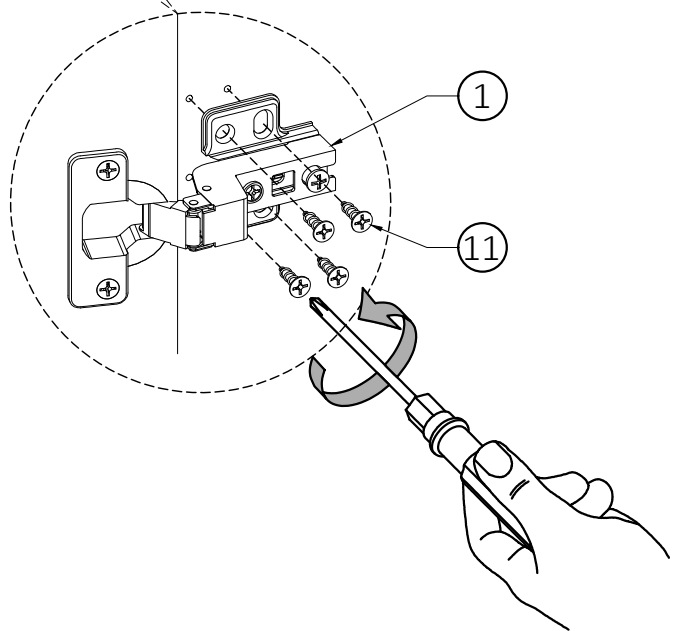
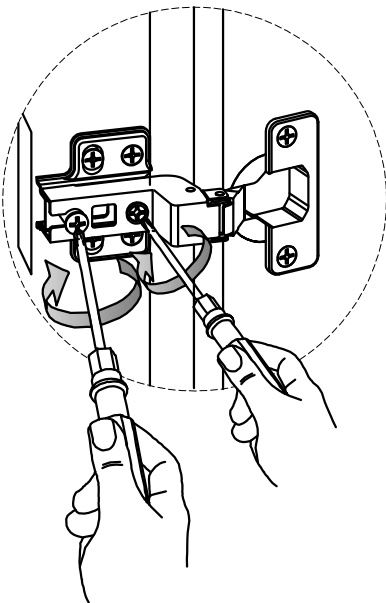
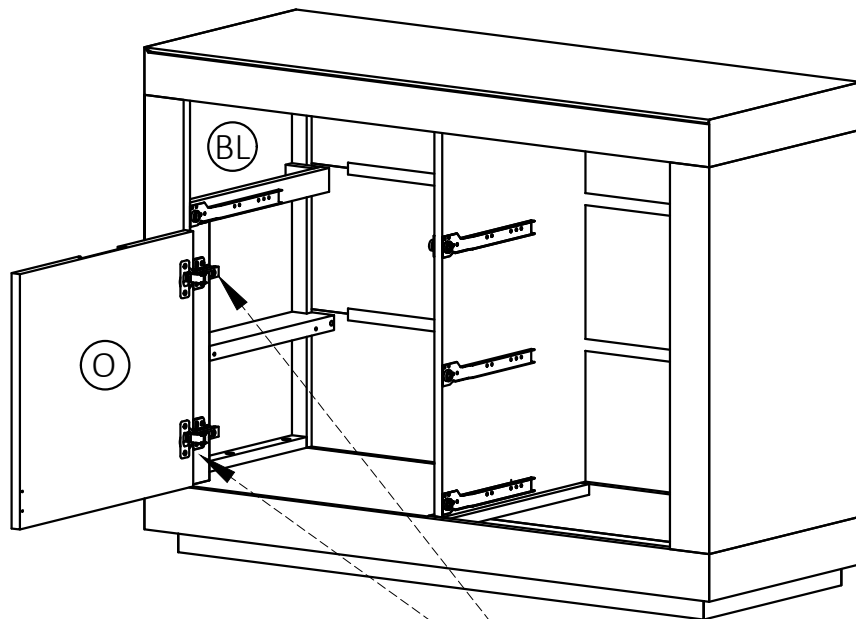


# BANAK

# SISAL

SI-0003

11

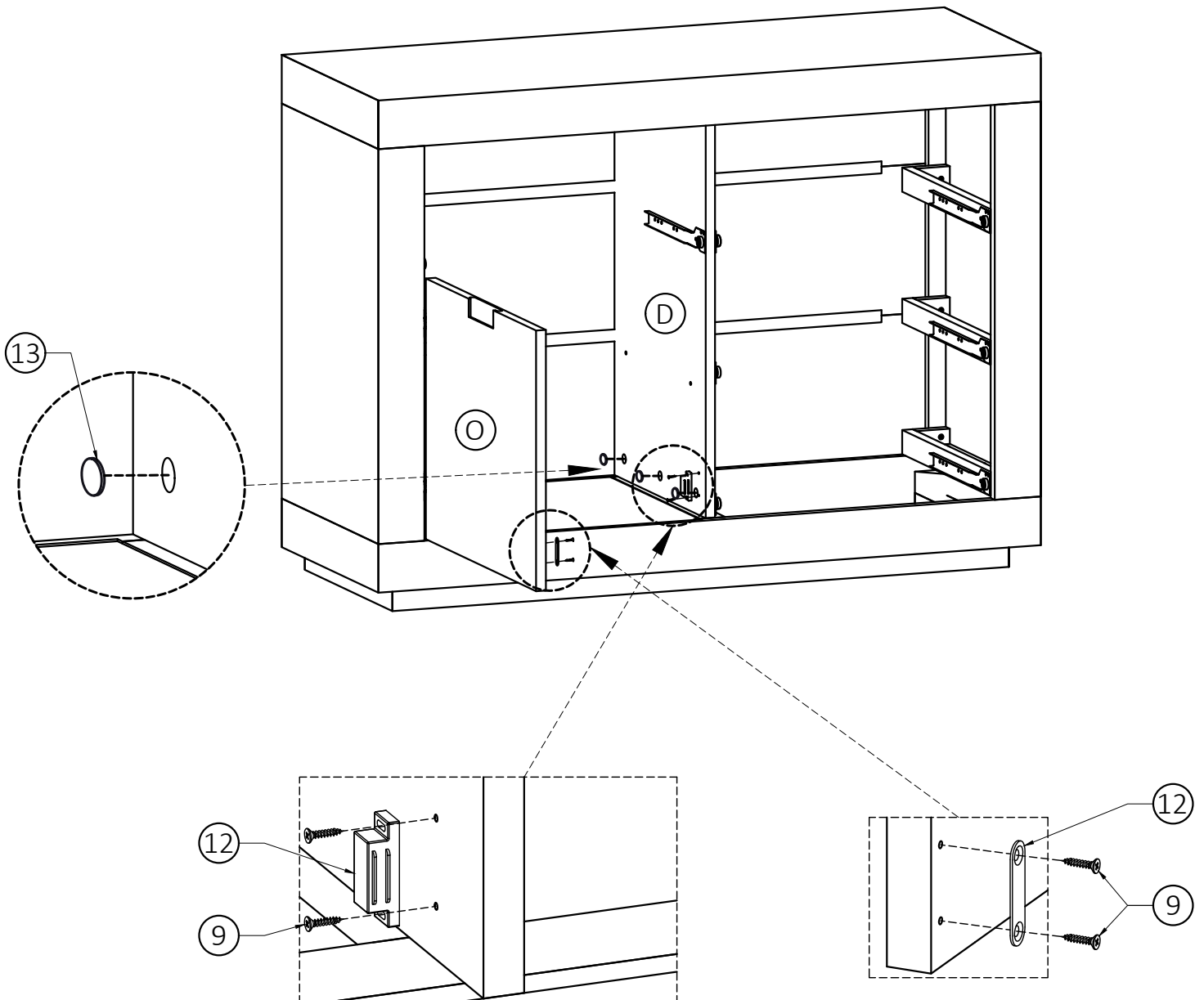


# BANAK

# SISAL

SI-0003

12



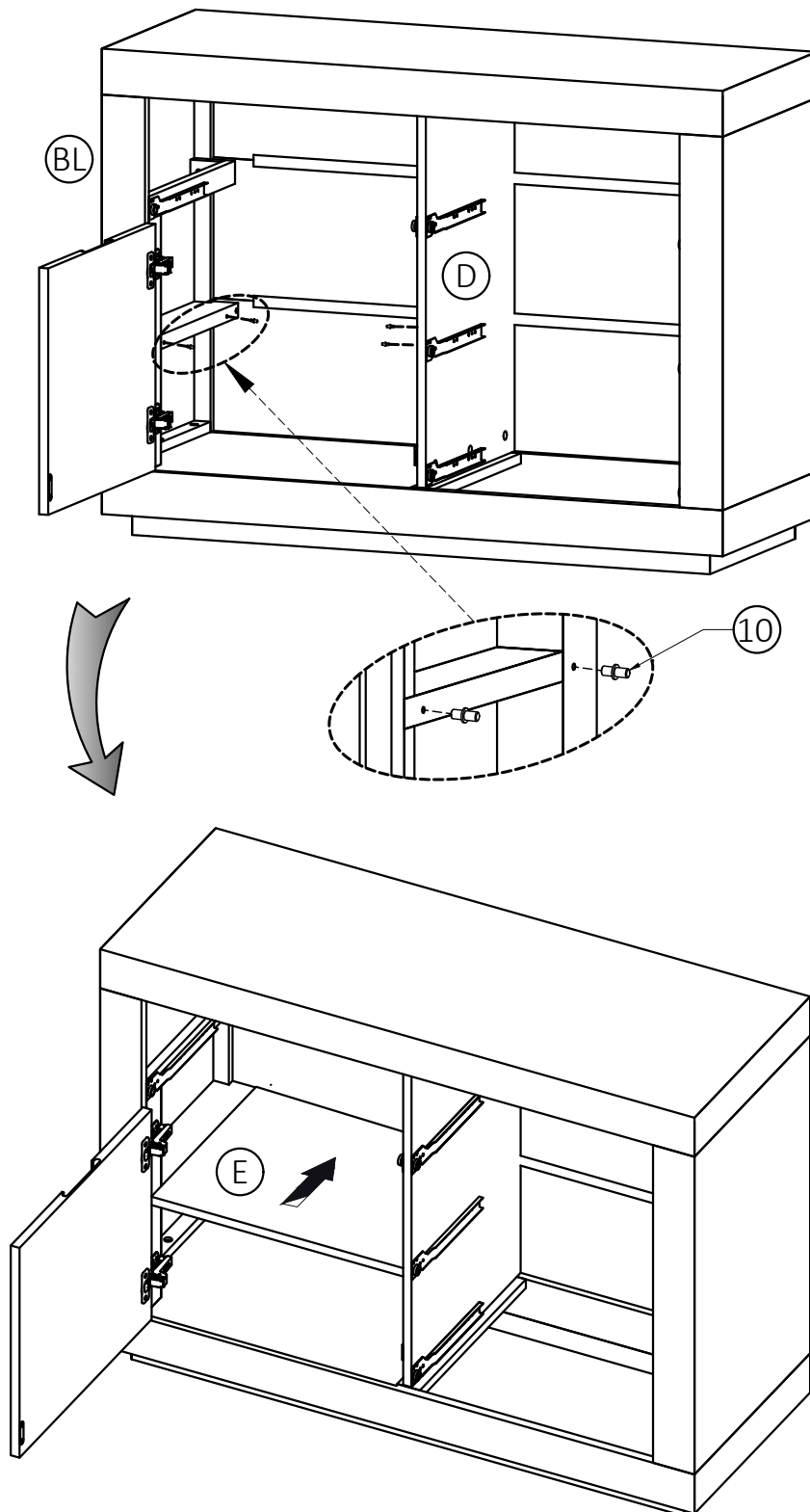


# BANAK

# SISAL

SI-0003

13

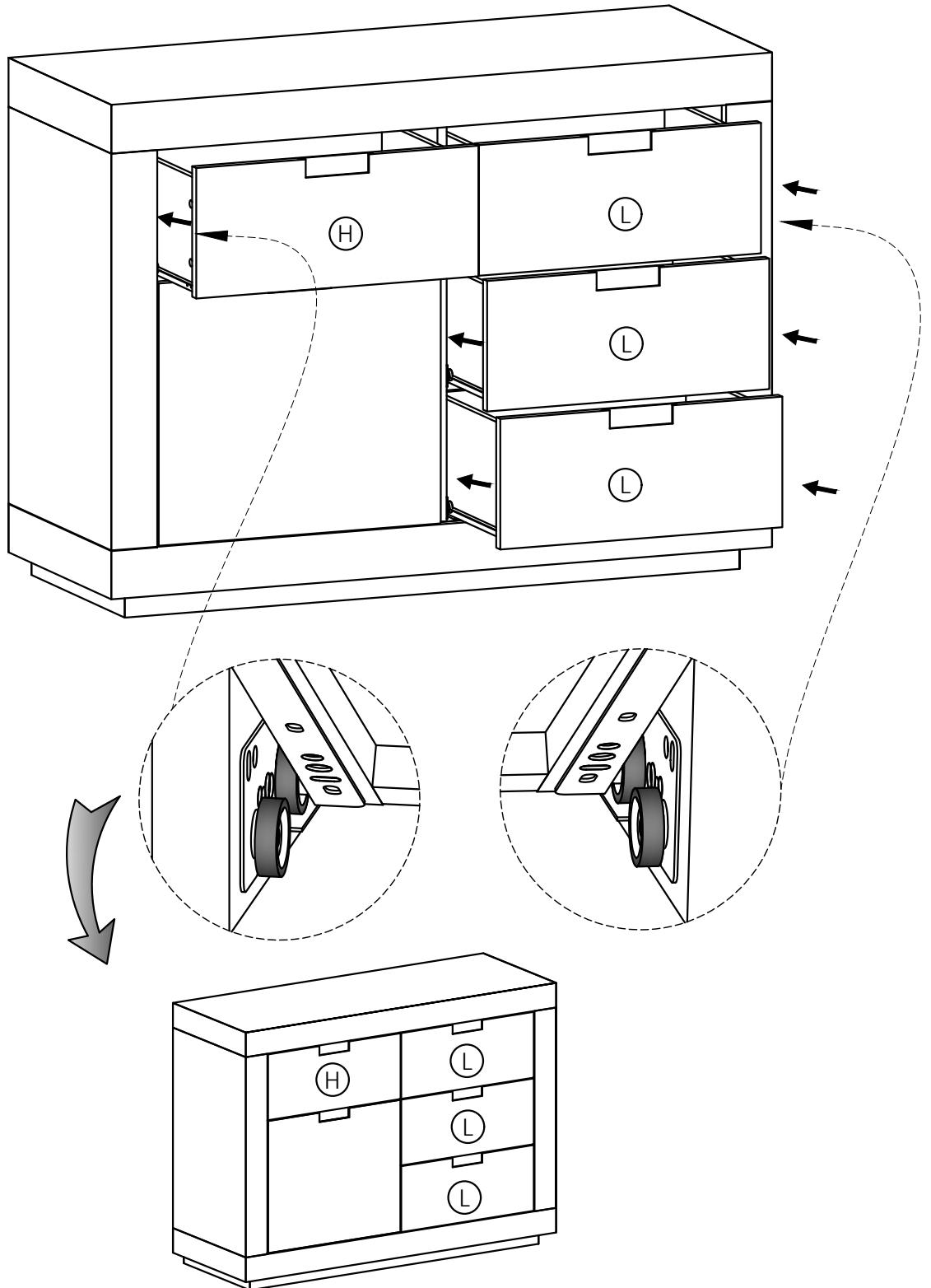


# BANAK

# SISAL

SI-0003

14



# BANAK

# SISAL

SI-0003

15

