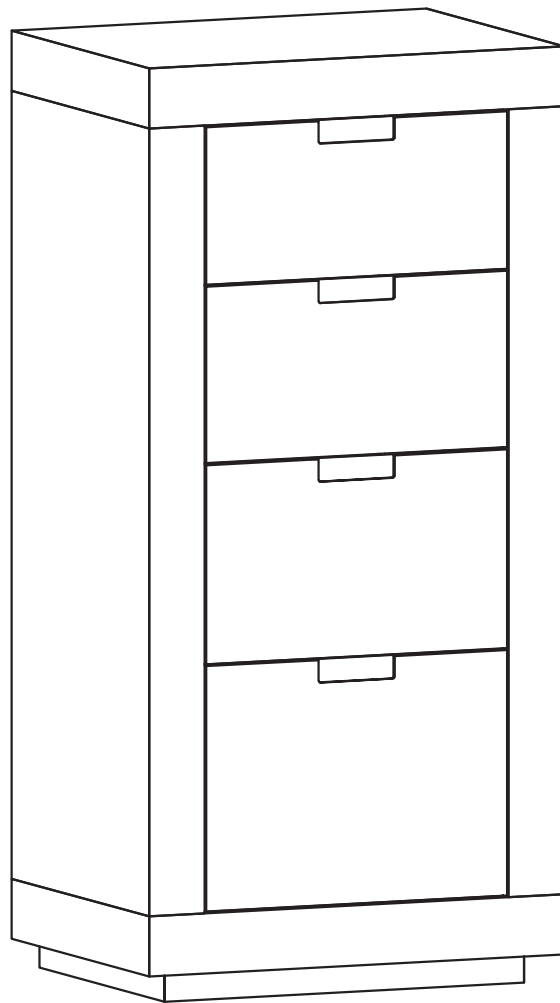


BANAK

SISAL

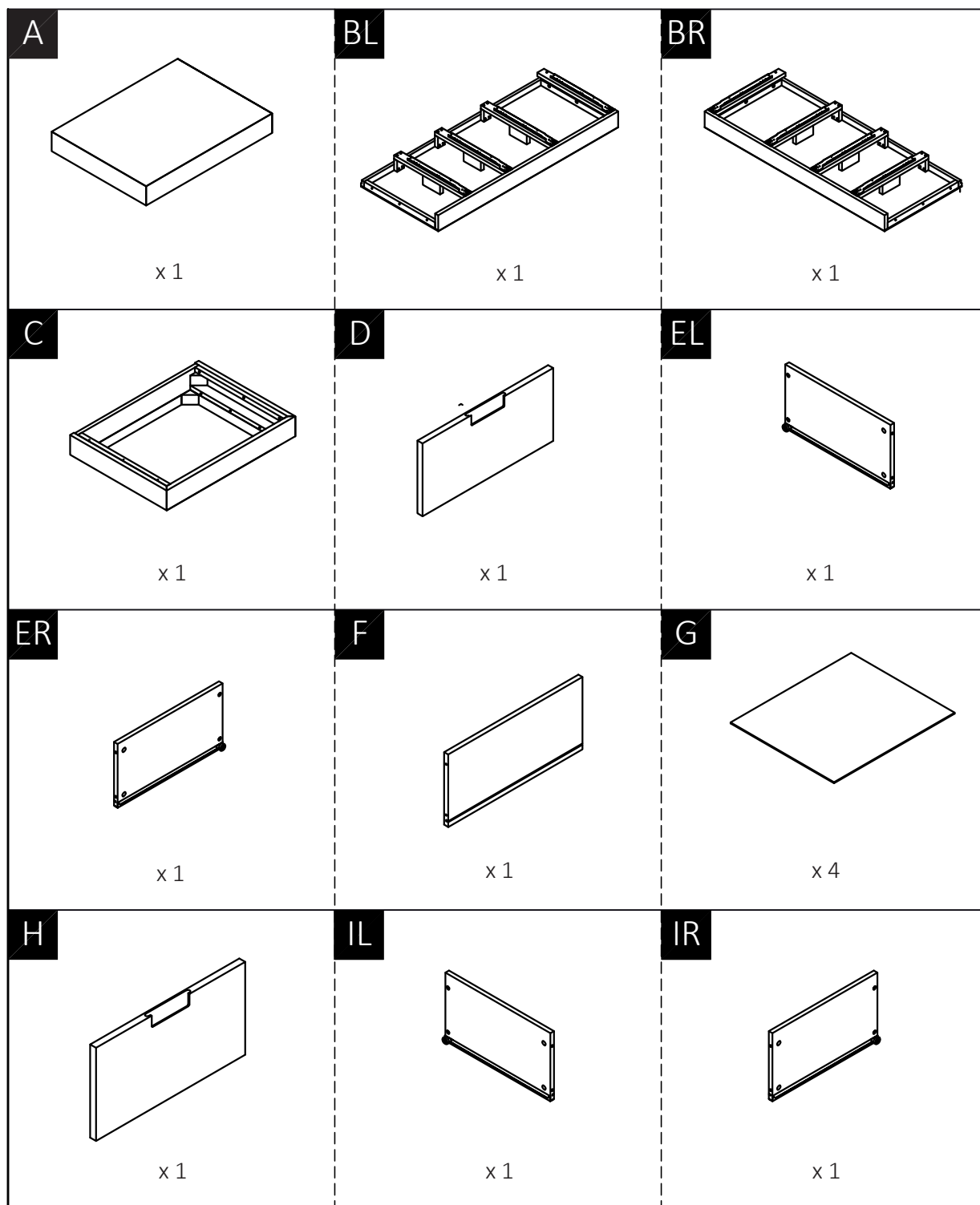
SI-0004



BANAK

SISAL

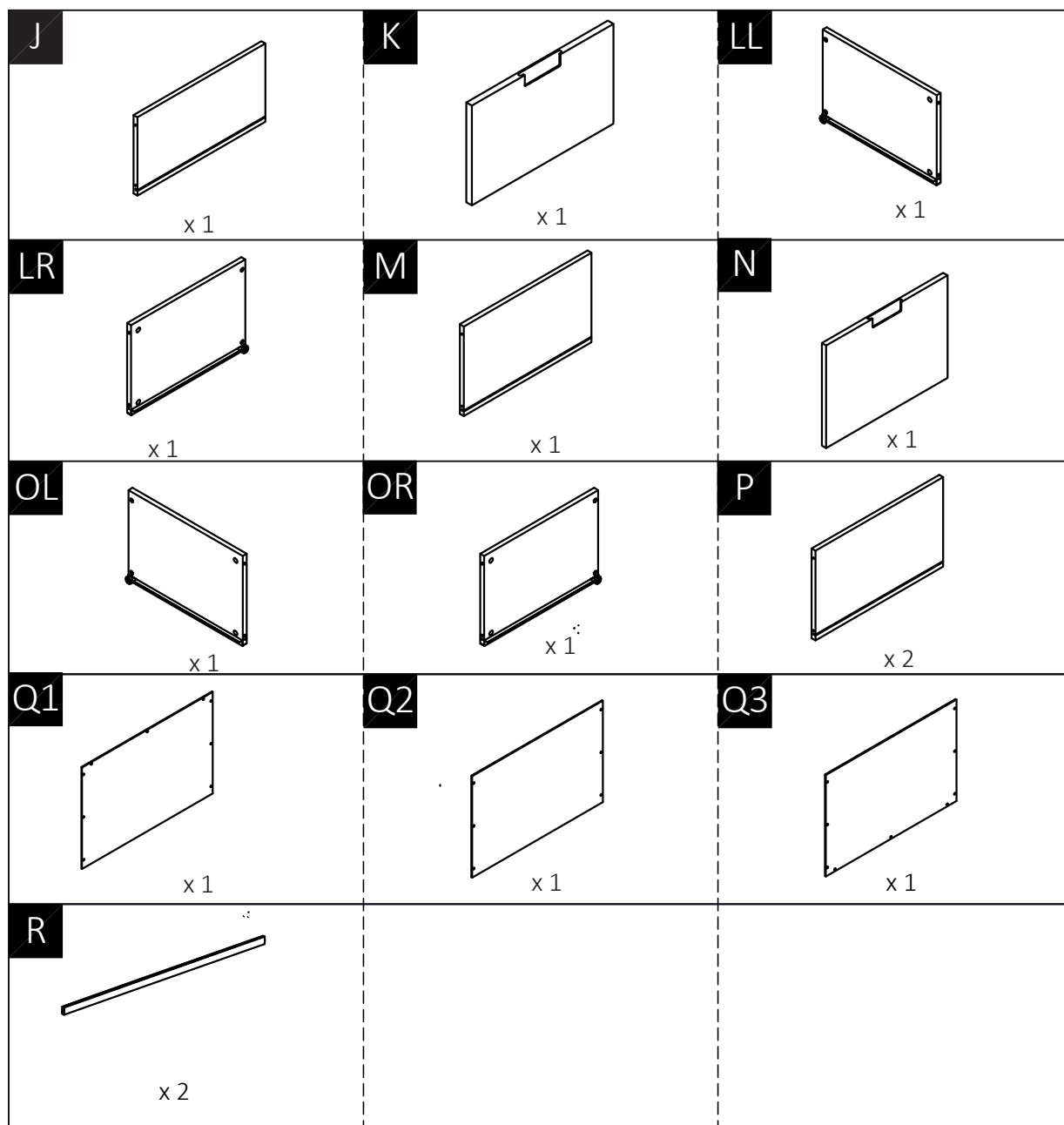
SI-0004



BANAK

SISAL

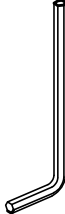
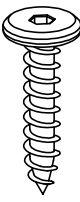
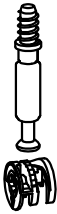
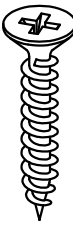

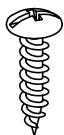
SI-0004



BANAK

SISAL

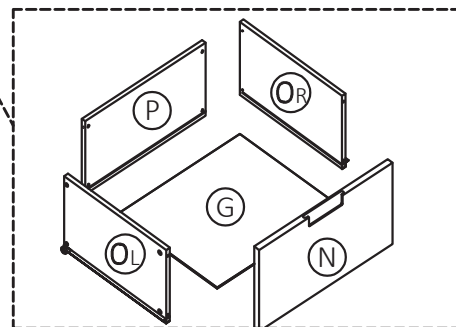
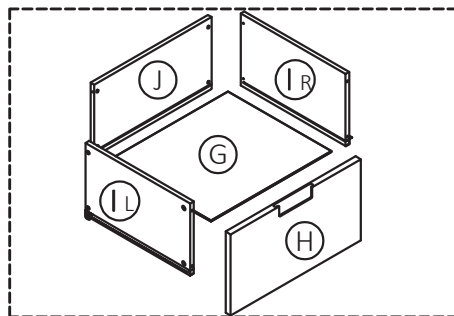
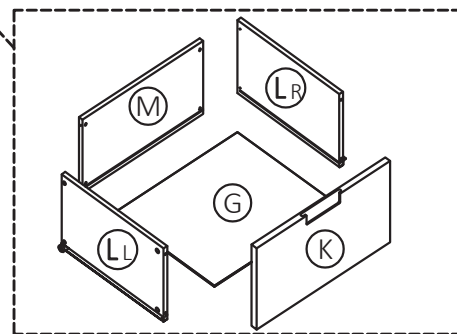
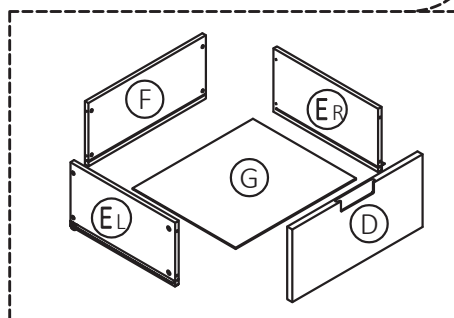
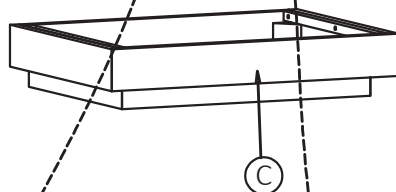
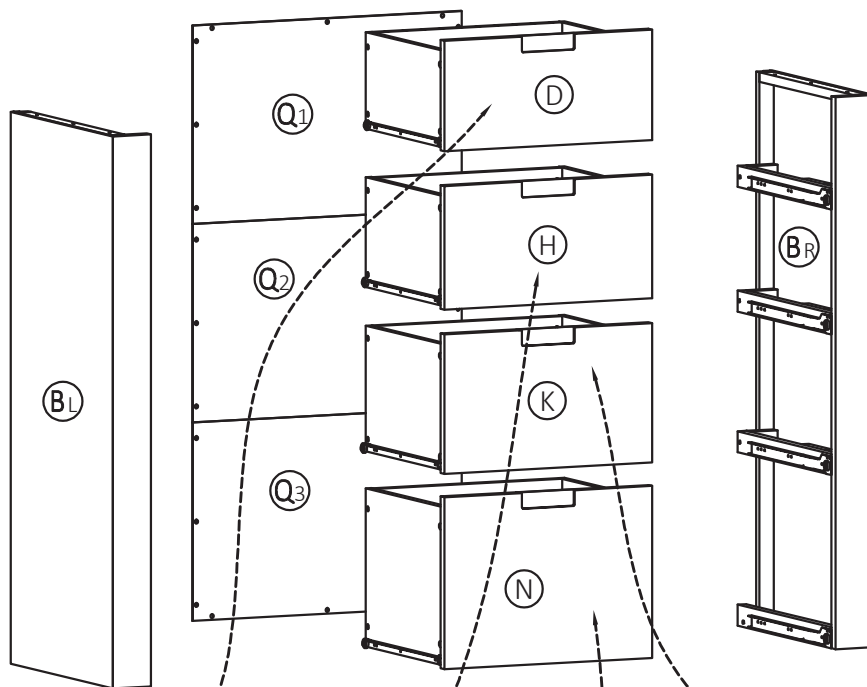
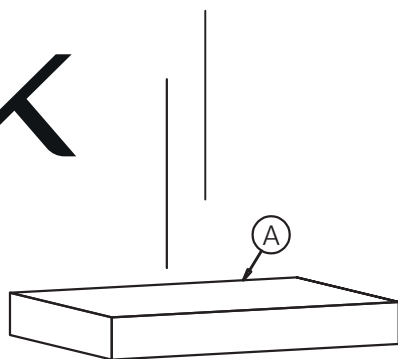
SI-0004

<p>1</p>  <p>x 1</p>	<p>2</p>  <p>M6 X 30mm x 12</p>	<p>3</p>  <p>Ø12x10 x 16</p>	<p>4</p>  <p>M4 X 30mm x 16</p>
<p>5</p>  <p>M8 X 8mm x 16</p>	<p>6</p>  <p>M4 X 15mm x 24</p>		

BANAK

SISAL

SI-0004

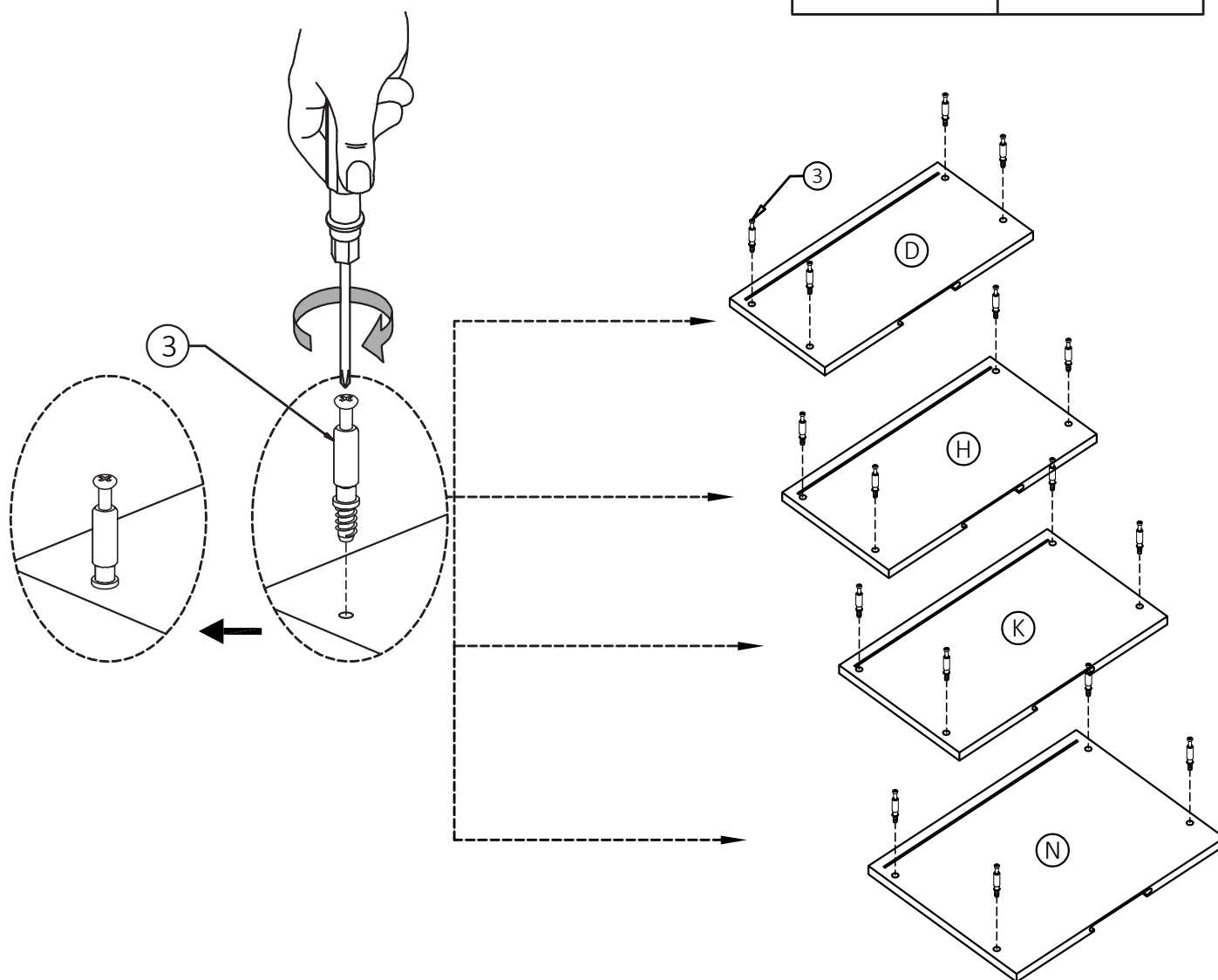
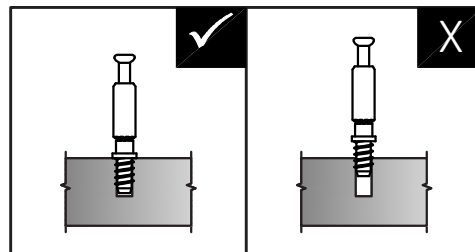


BANAK

SISAL

SI-0004

1

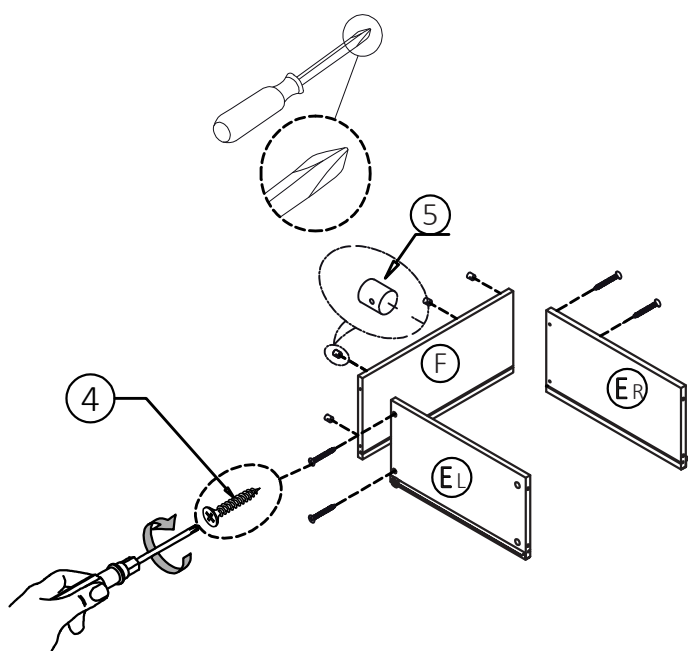


BANAK

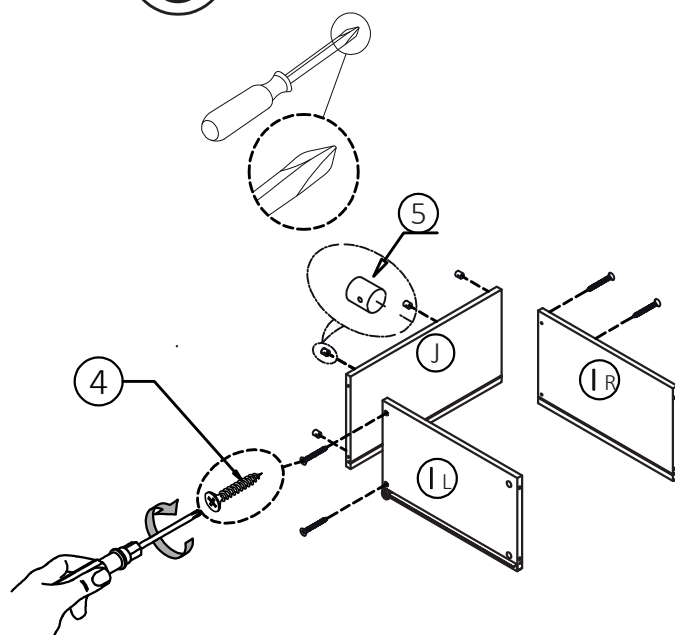
SISAL

SI-0004

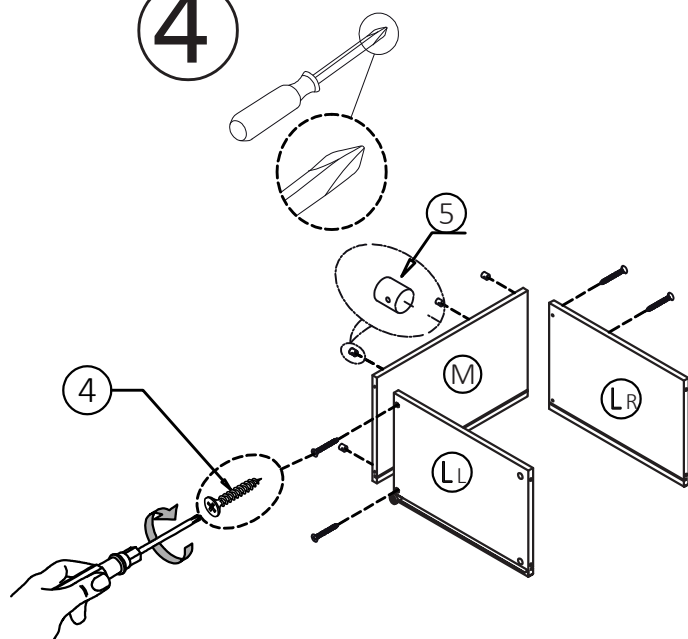
2



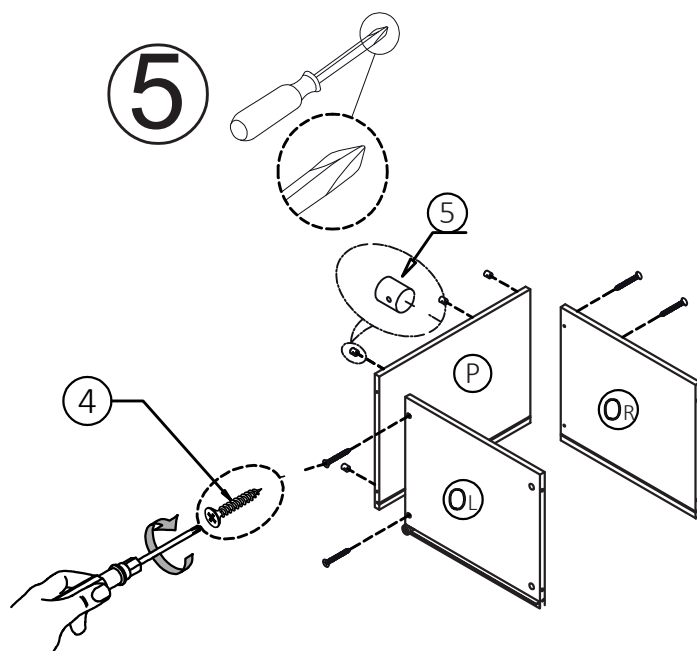
3



4



5

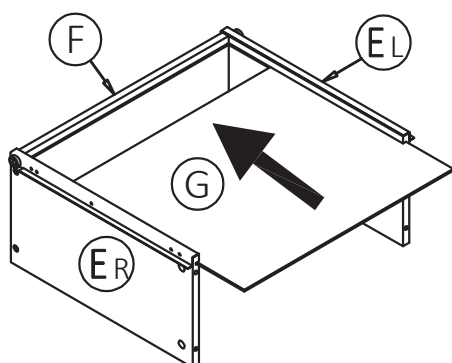


BANAK

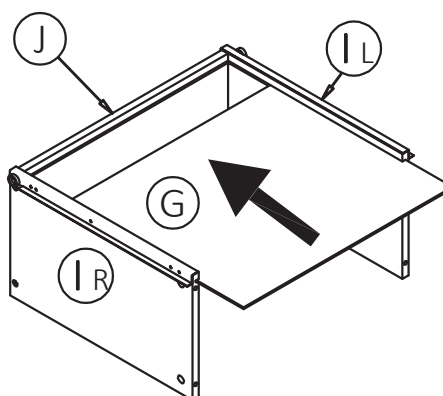
SISAL

SI-0004

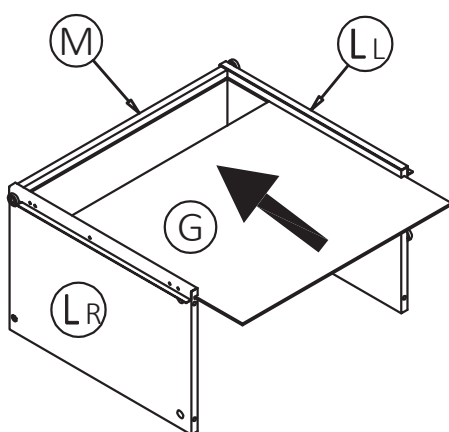
6



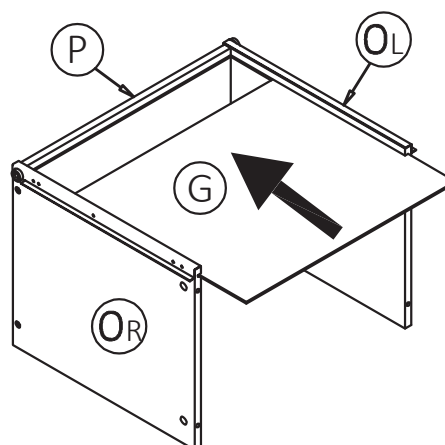
7



8



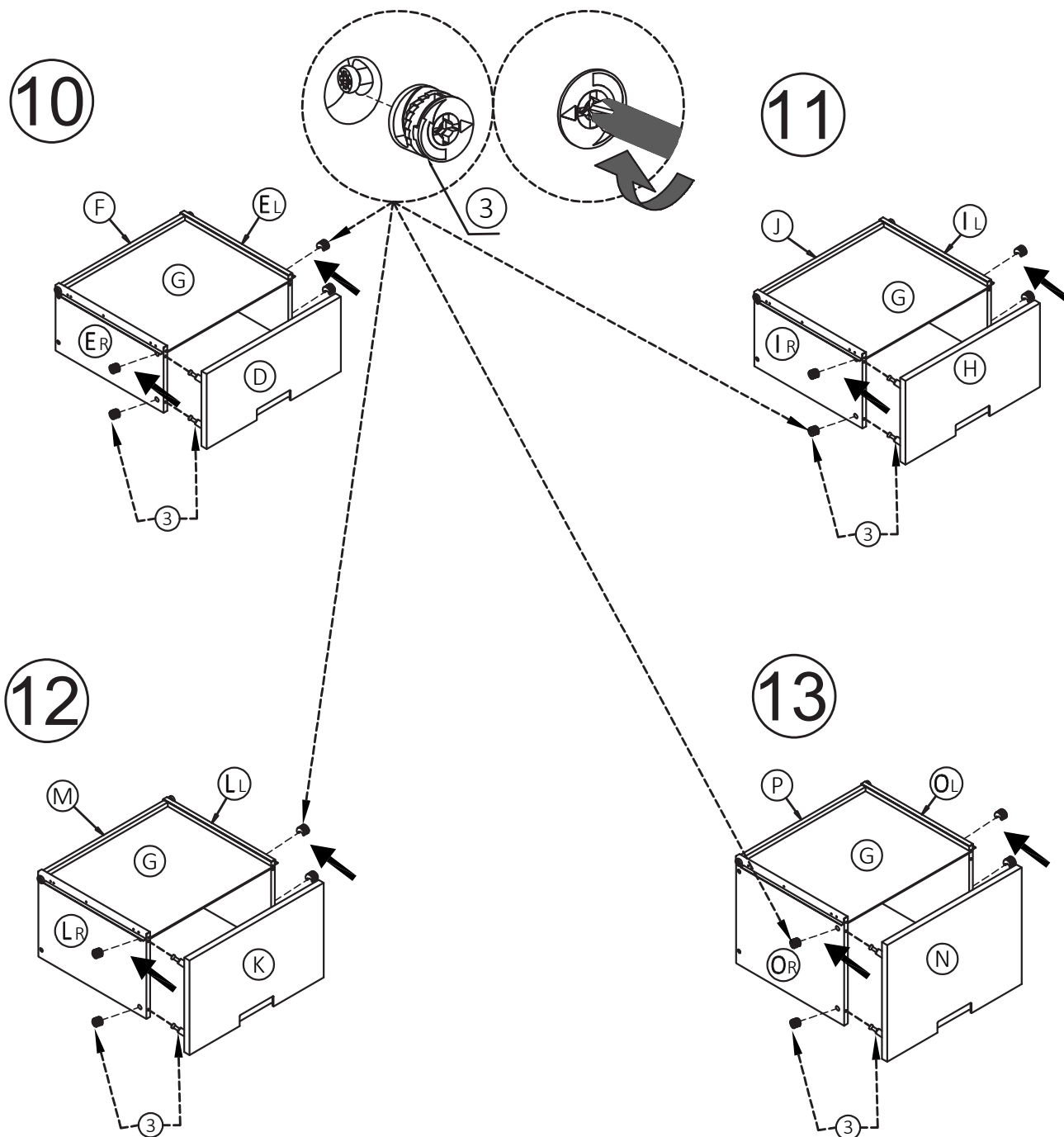
9



BANAK

SISAL

SI-0004

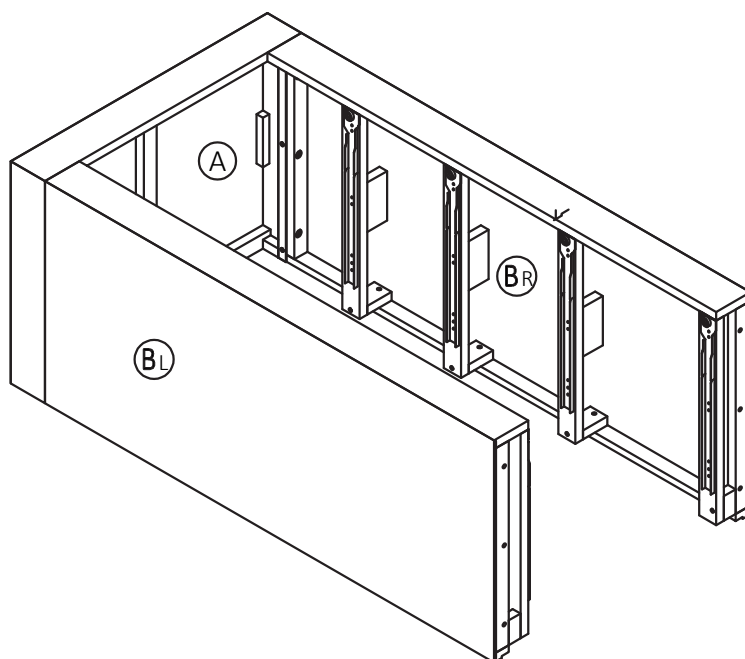
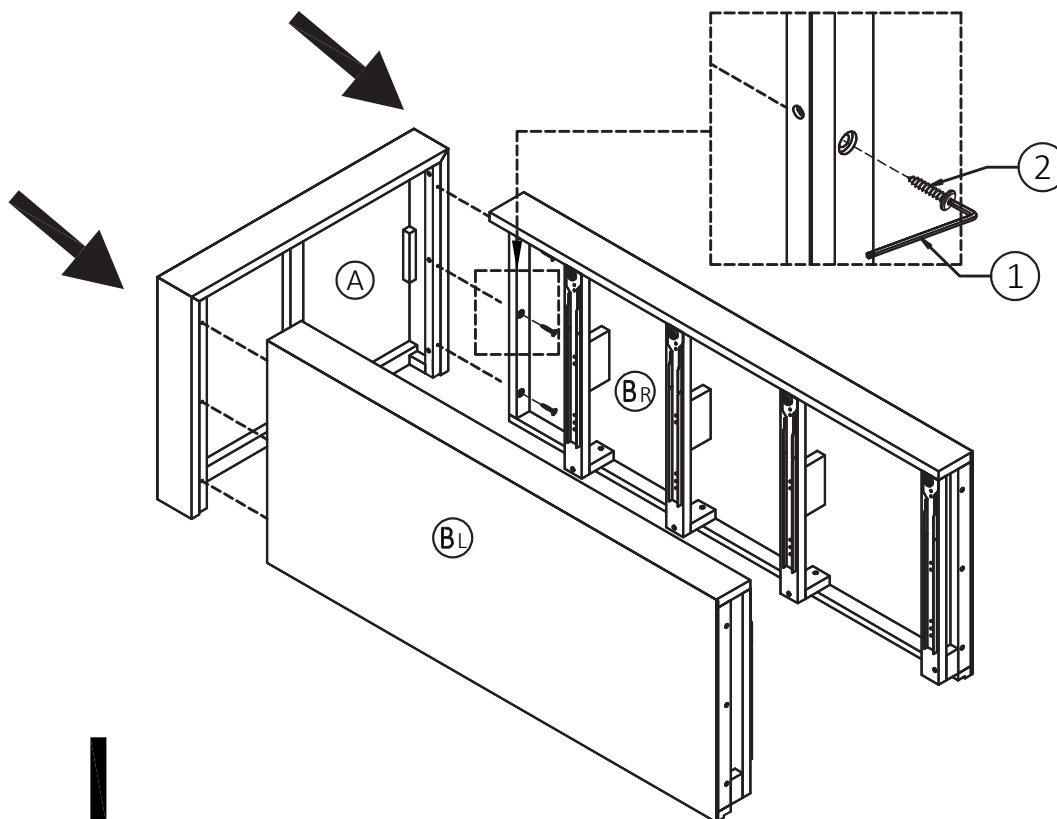


BANAK

SISAL

SI-0004

14

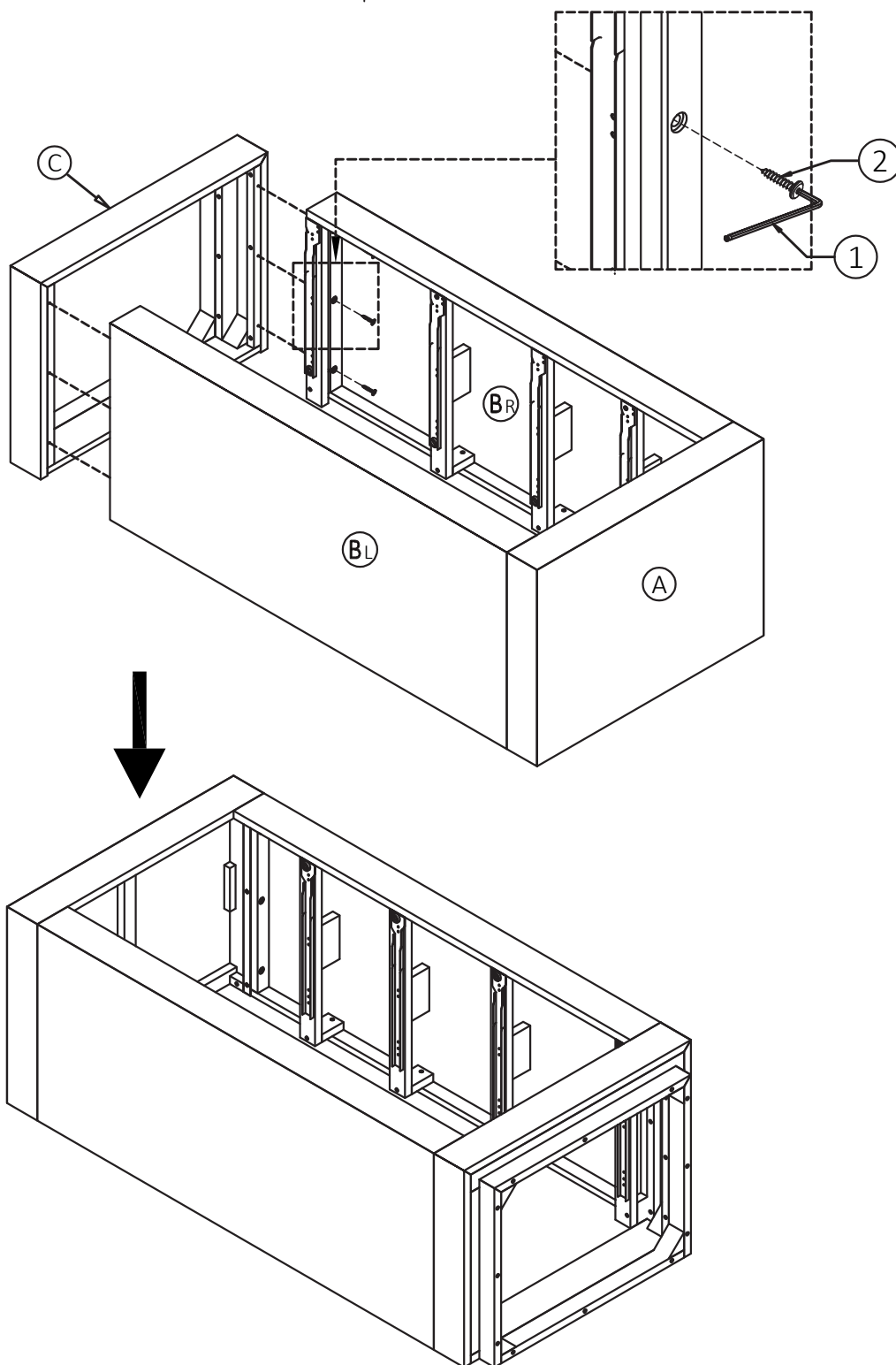


BANAK

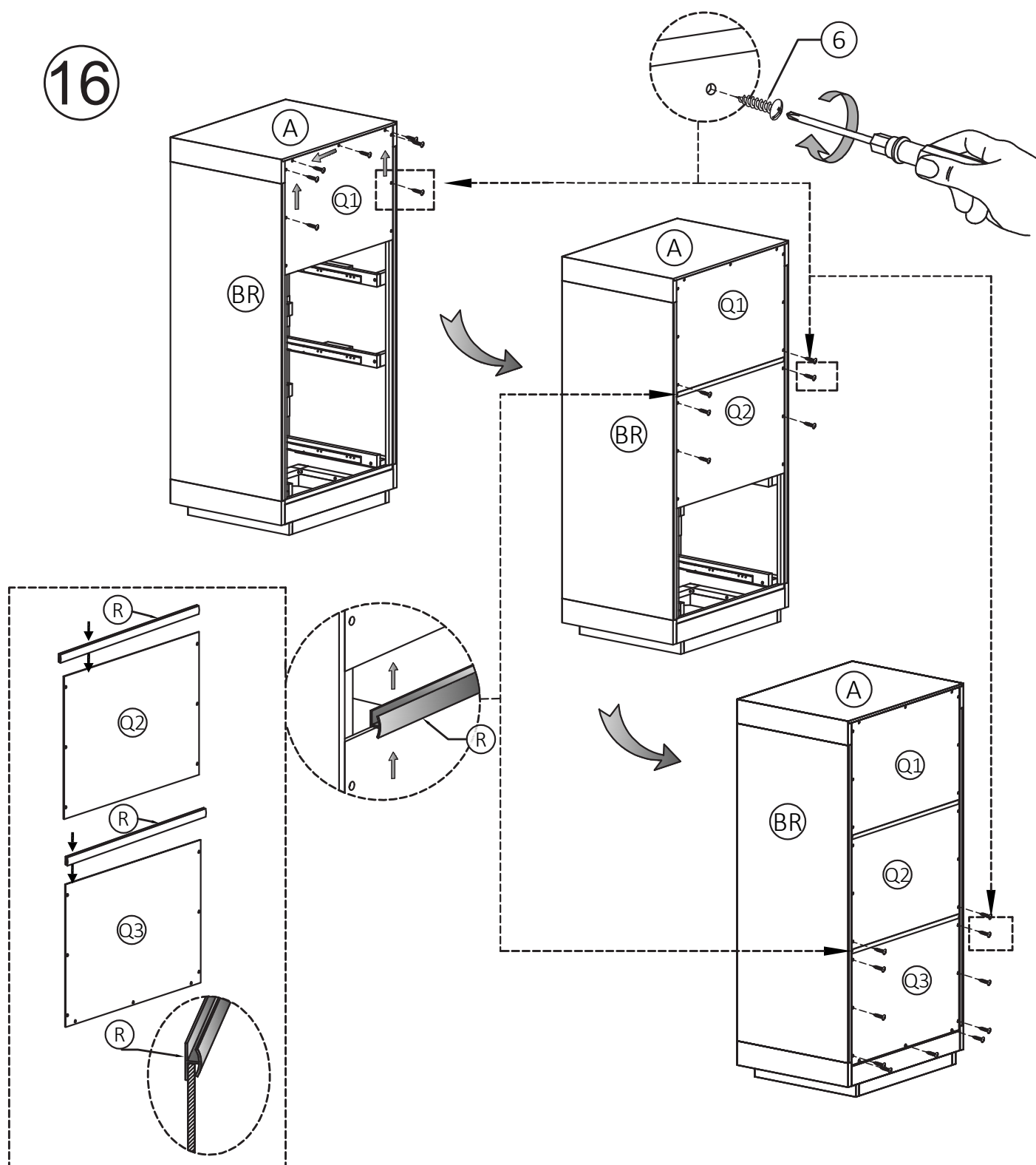
SISAL

SI-0004

15



16

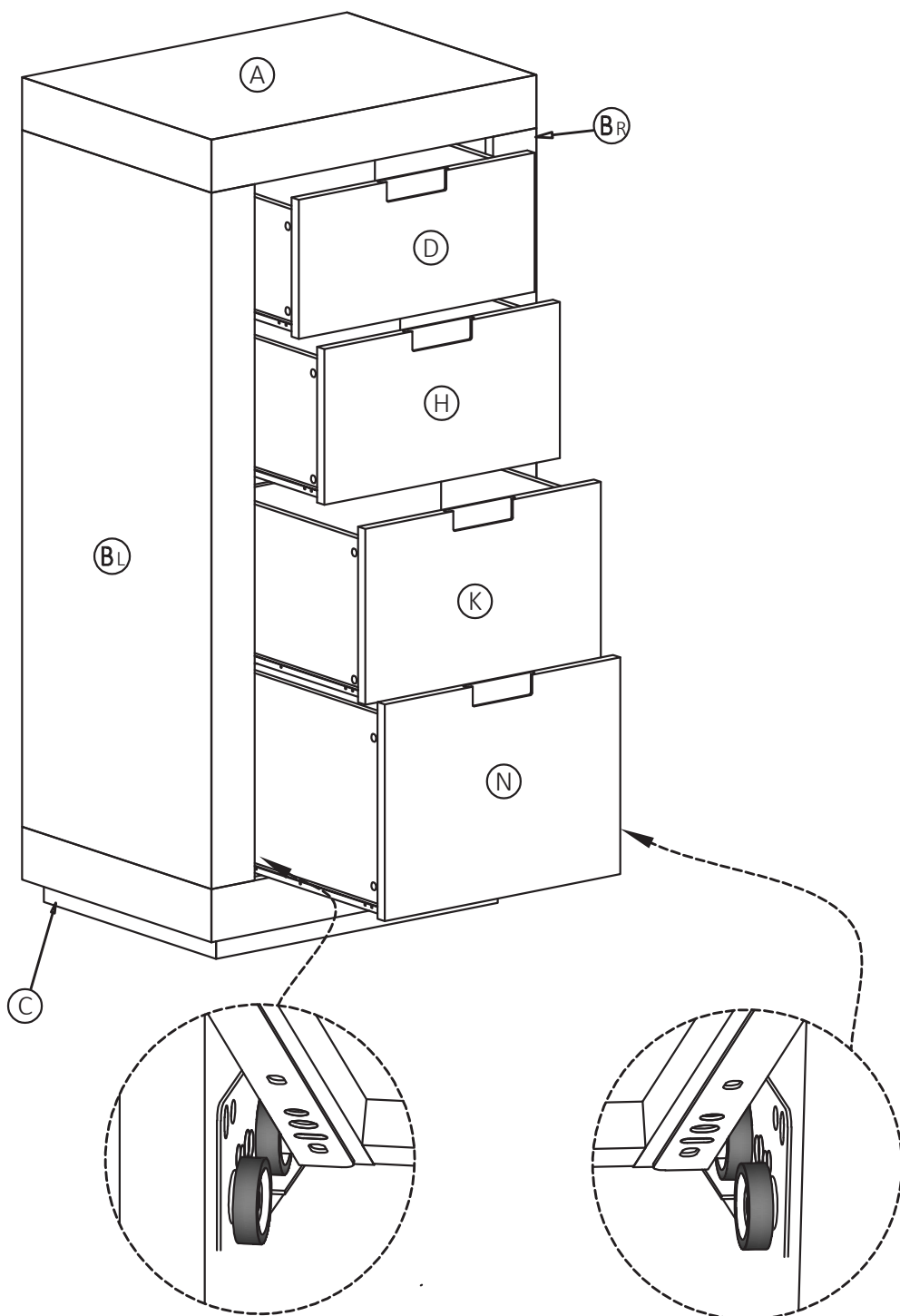


BANAK

SISAL

SI-0004

17



BANAK

SISAL

SI-0004

18

