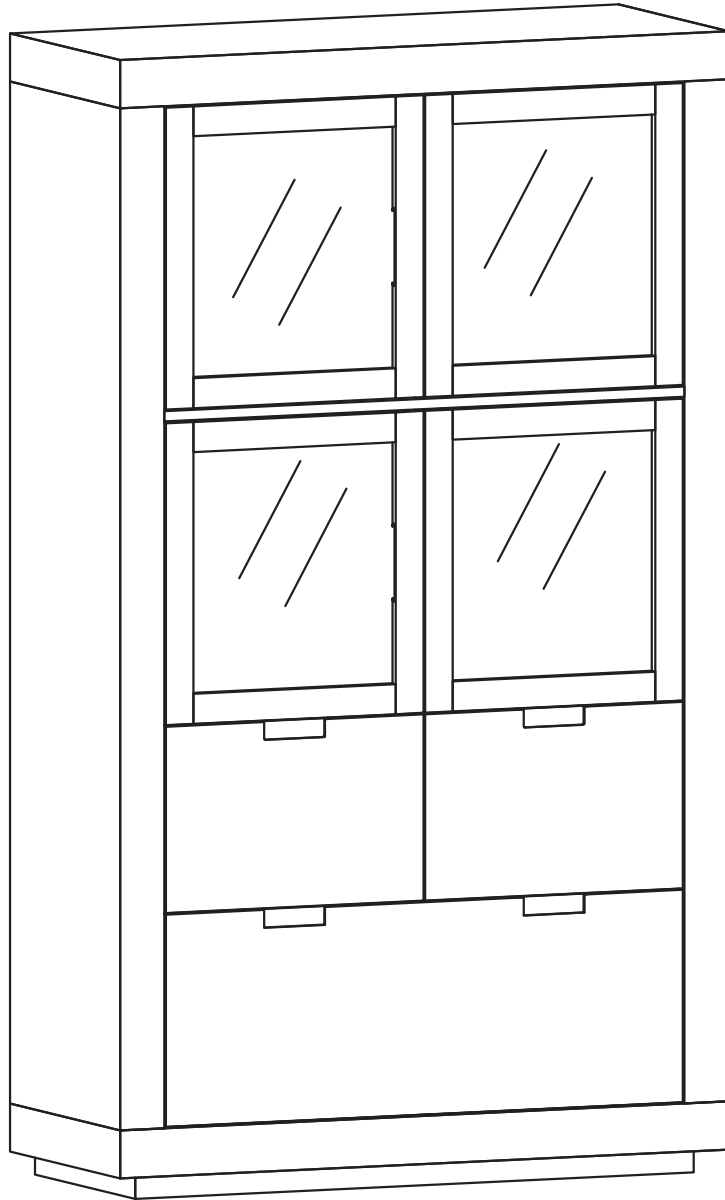


# BANAK

# SISAL

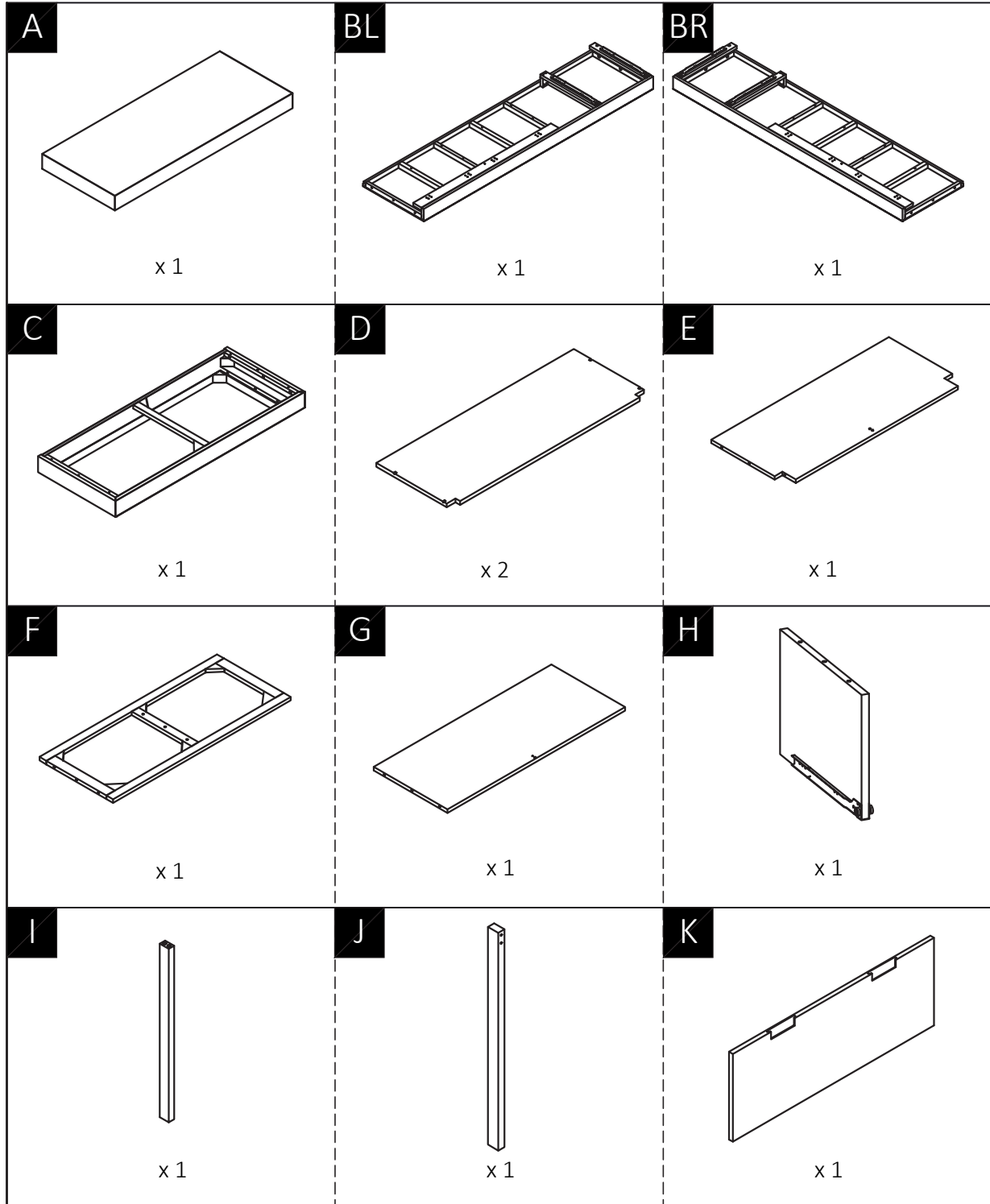
SI-0006



# BANAK

# SISAL

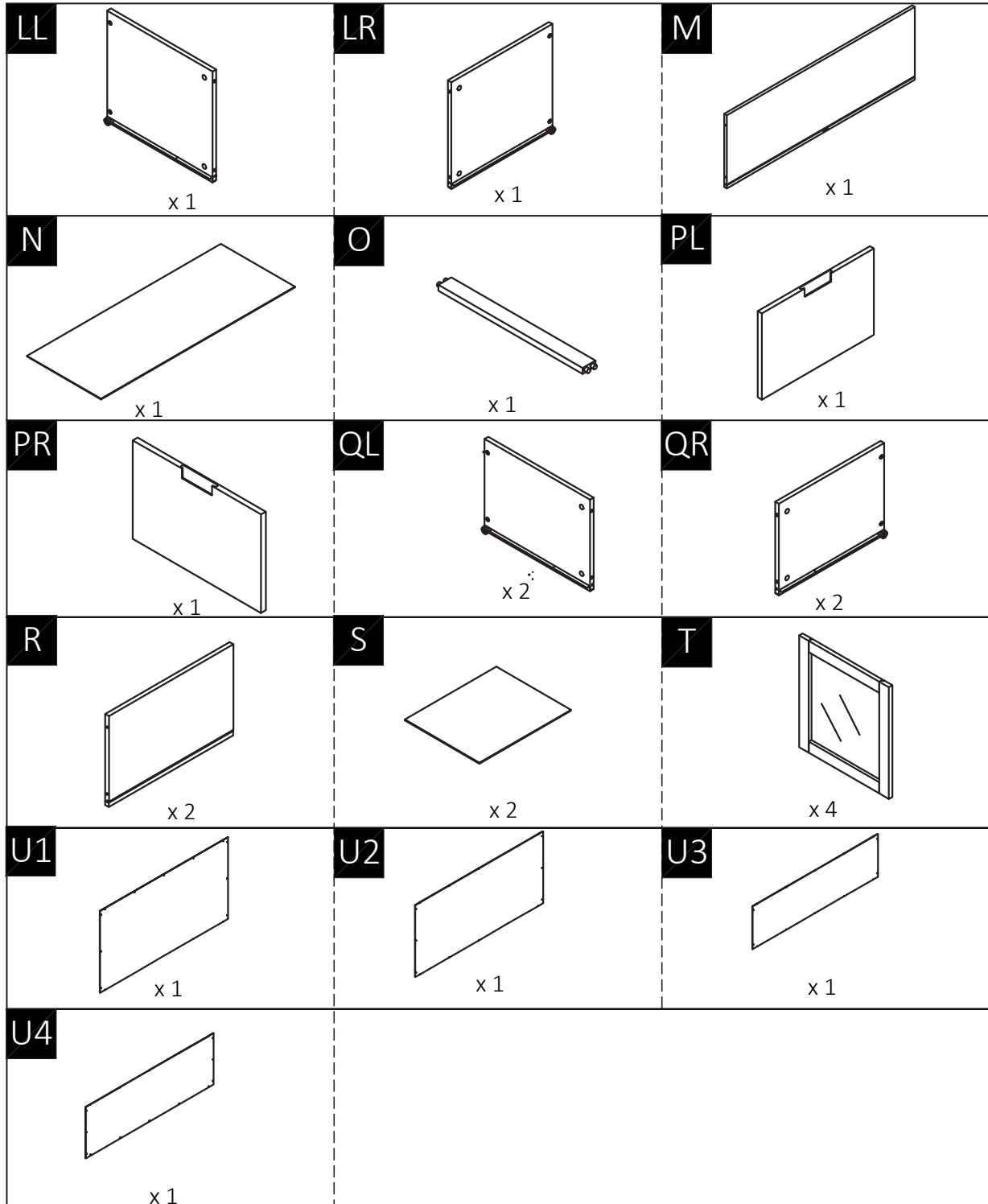
SI-0006



# BANAK

# SISAL

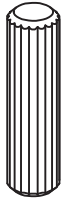

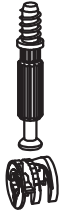
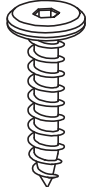
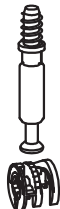
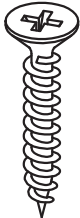

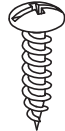

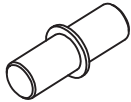

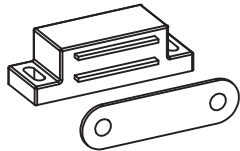
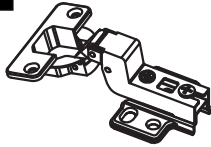
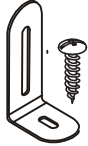
SI-0006



# BANAK

# SISAL

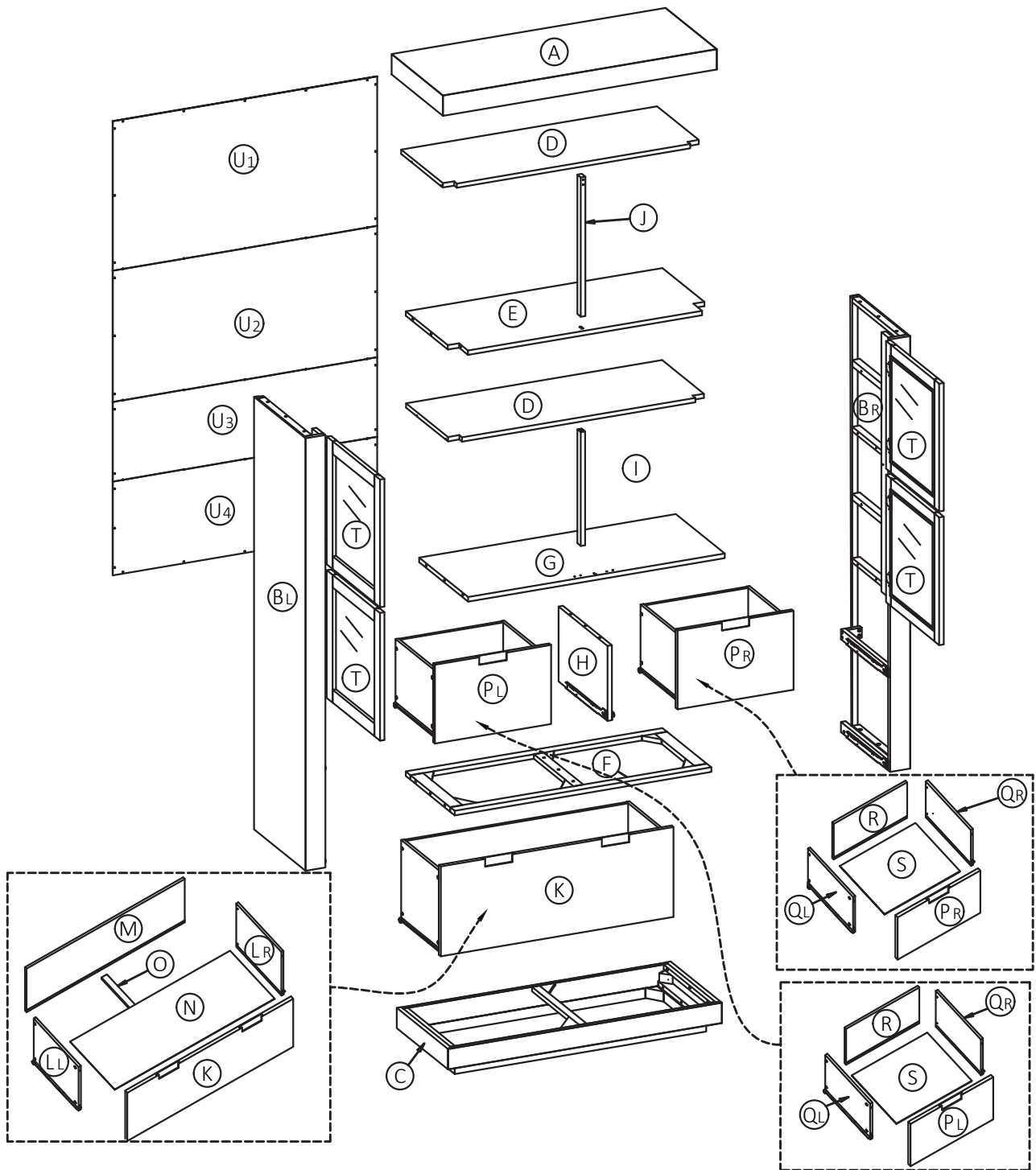
SI-0006

<p>1</p>  <p>Ø8X 30mm x 5</p>	<p>2</p>  <p>x 1</p>	<p>3</p>  <p>Ø15x10 x 21</p>	<p>4</p>  <p>M6 X 30mm x 15</p>
<p>5</p>  <p>Ø12x10 x 12</p>	<p>6</p>  <p>M4 X 30mm x 15</p>	<p>7</p>  <p>M8 X 8mm x 12</p>	<p>8</p>  <p>M4 X 15mm x 47</p>
<p>9</p>  <p>M3 X 15mm x 16</p>	<p>10</p>  <p>x 8</p>	<p>11</p>  <p>M4 X 15mm x 48</p>	<p>12</p>  <p>x 4</p>
<p>13</p>  <p>x 8</p>	<p>14</p>  <p>x 2</p>		

# BANAK

# SISAL

SI-0006

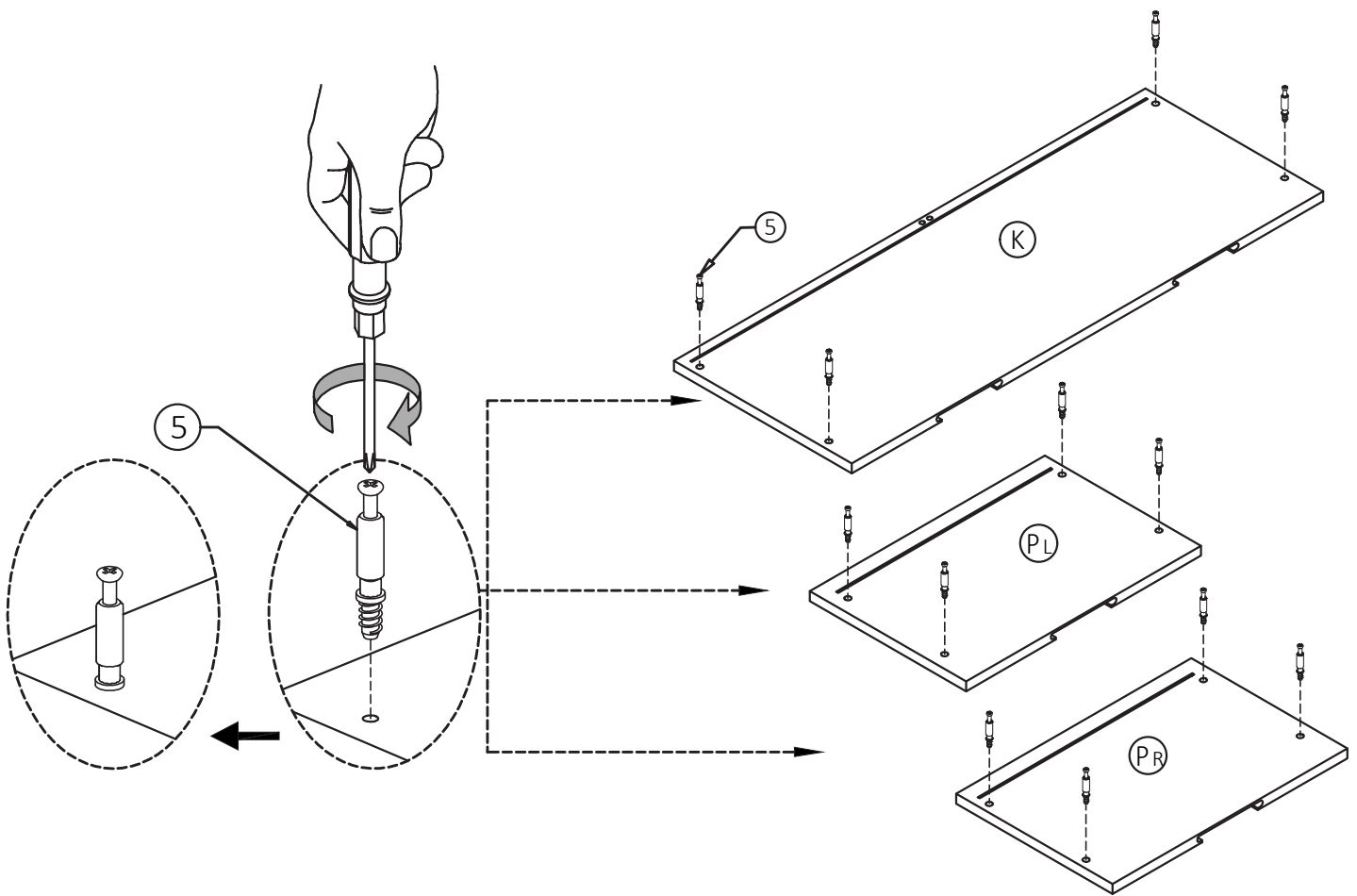
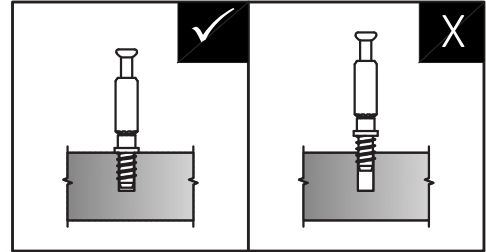


# BANAK

# SISAL

SI-0006

1



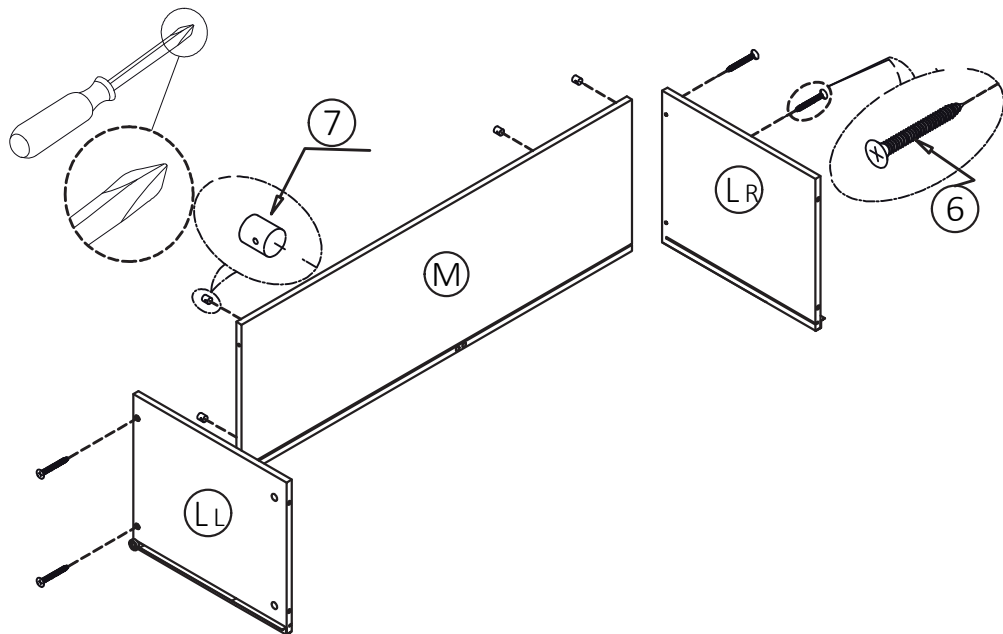
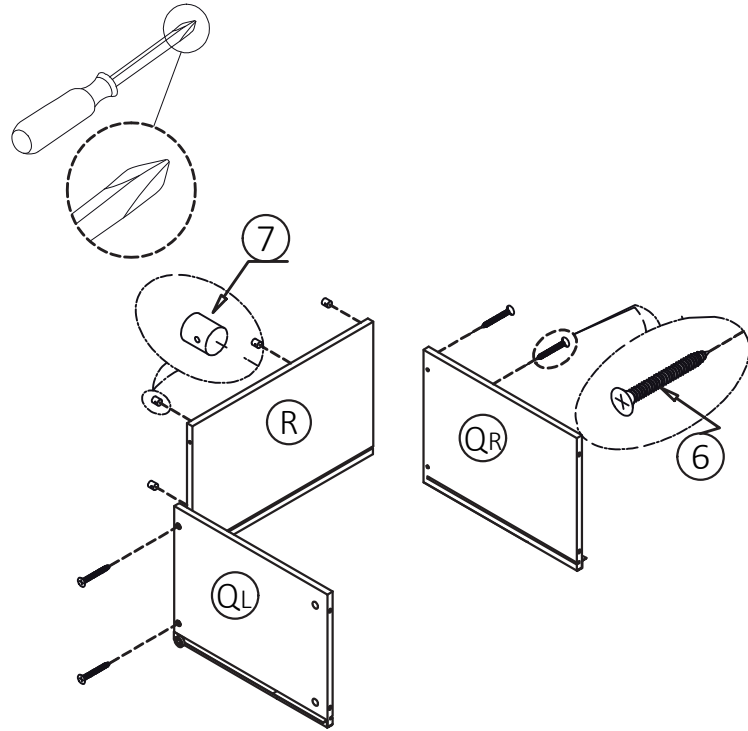
# BANAK

# SISAL

SI-0006

2

X2



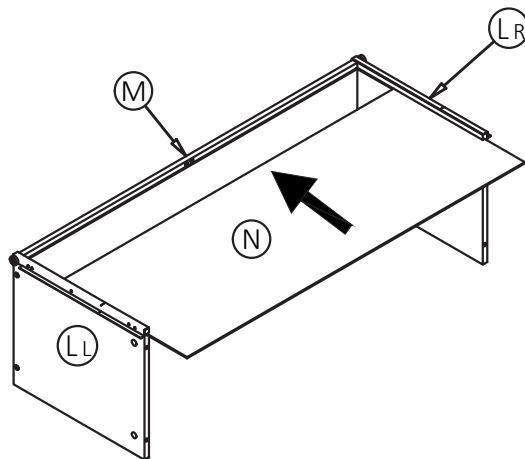
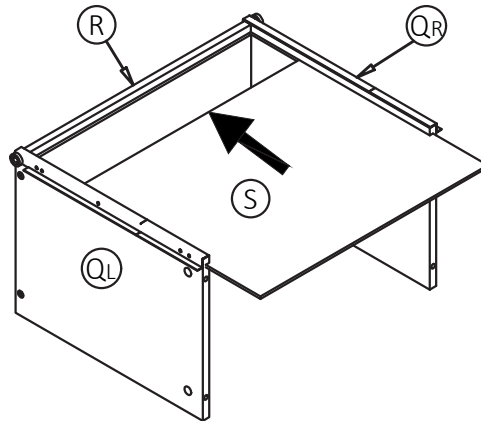
# BANAK

# SISAL

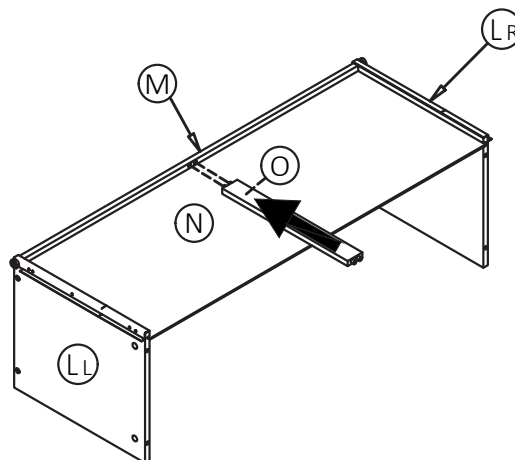
SI-0006

3

X2



4



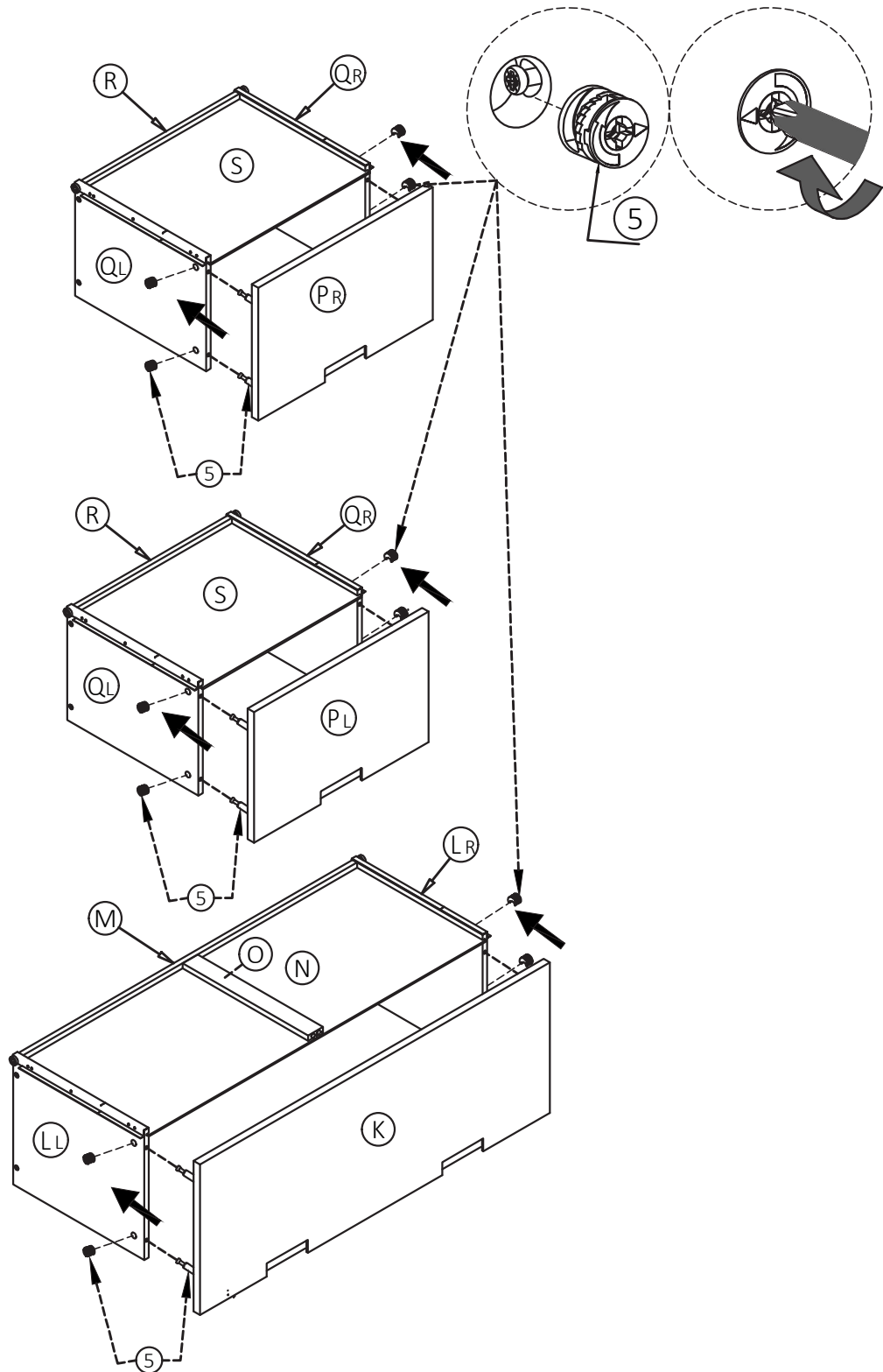


# BANAK

# SISAL

SI-0006

5

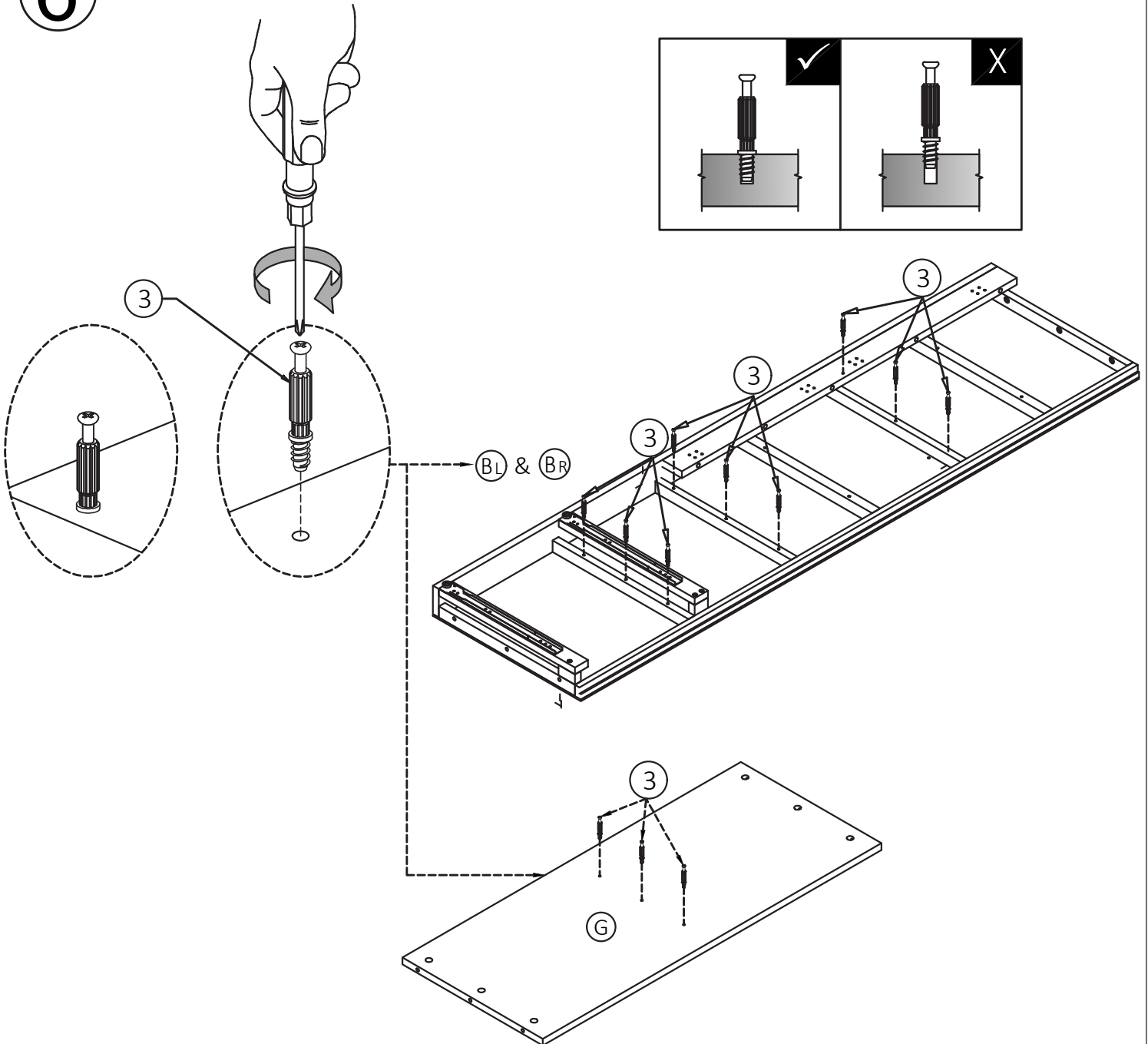


# BANAK

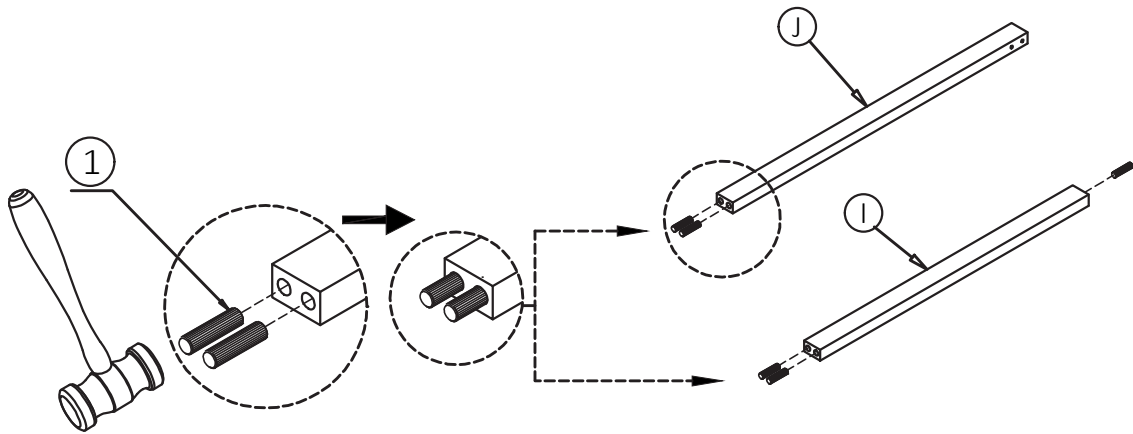
# SISAL

SI-0006

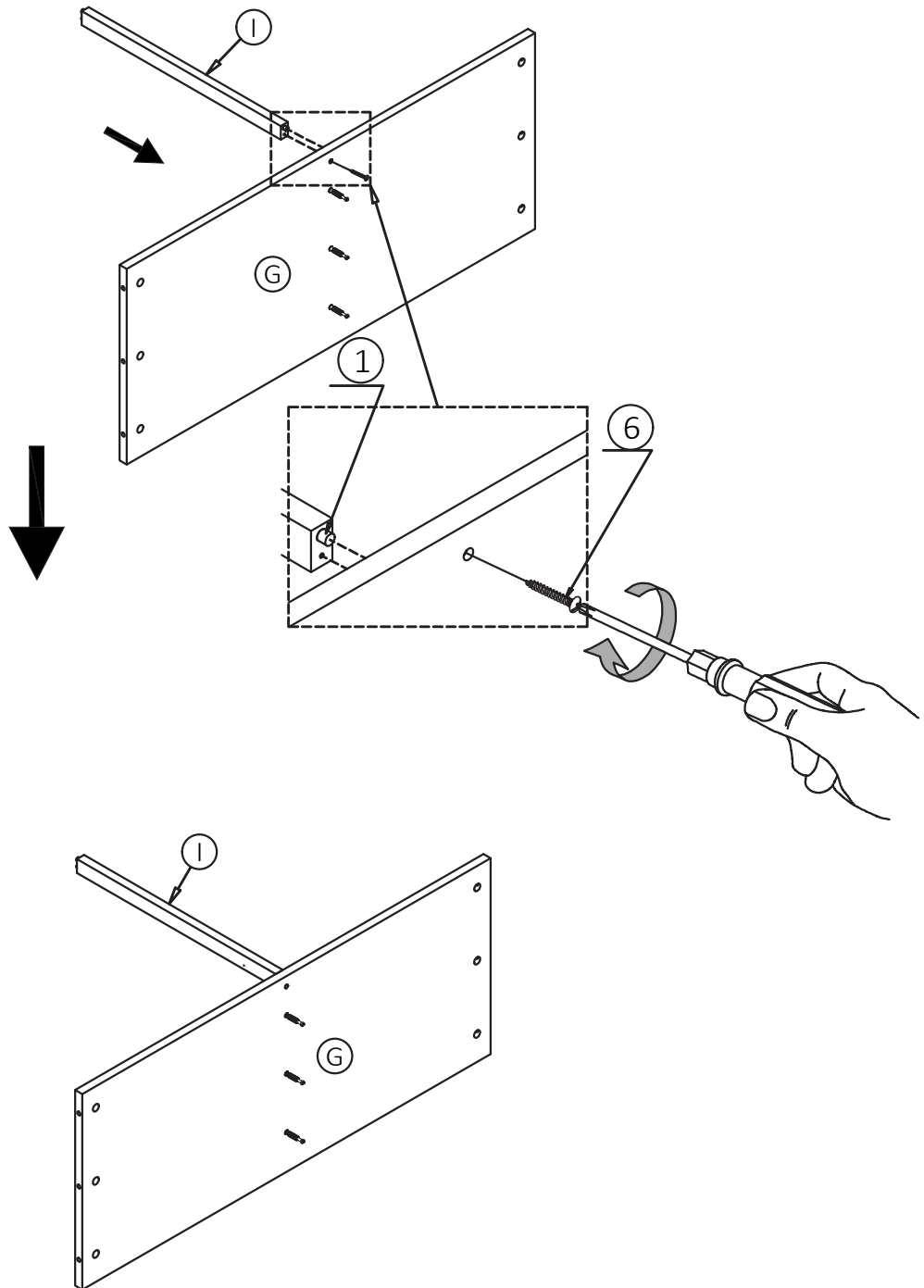
6



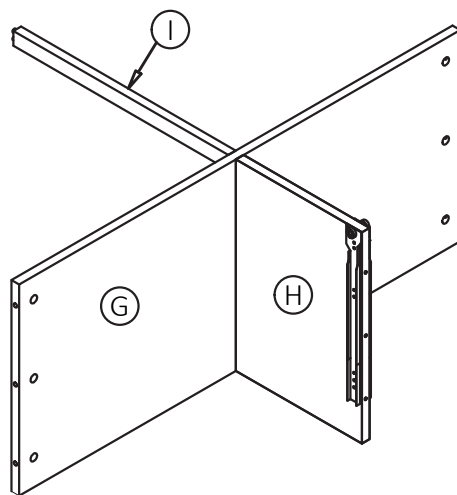
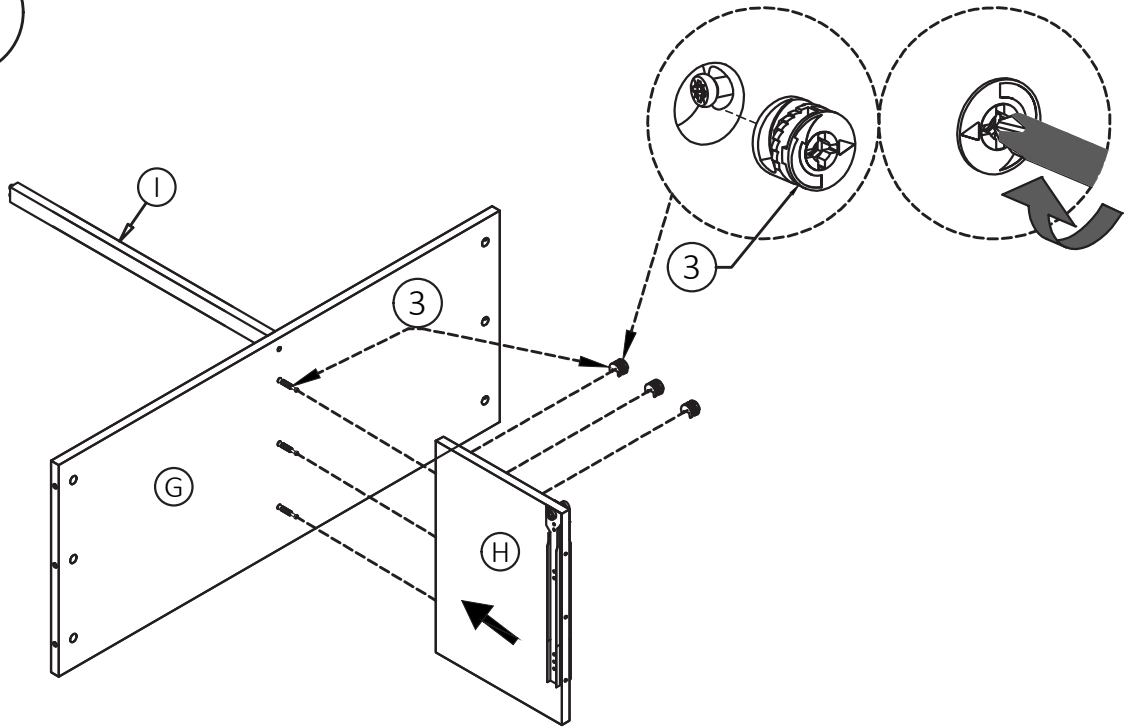
7



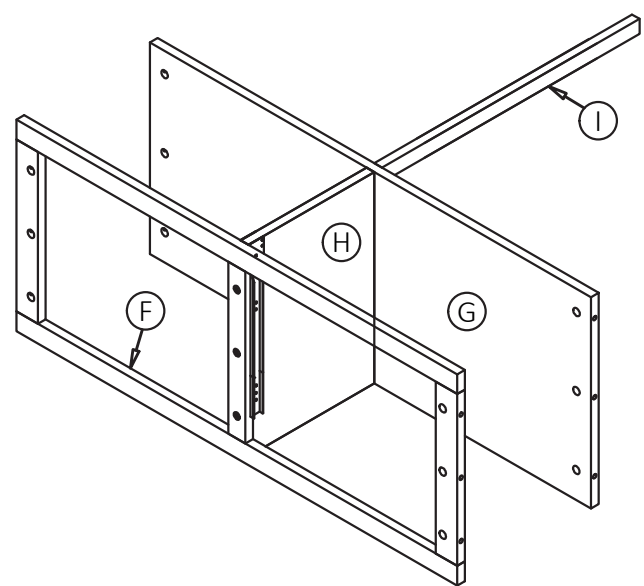
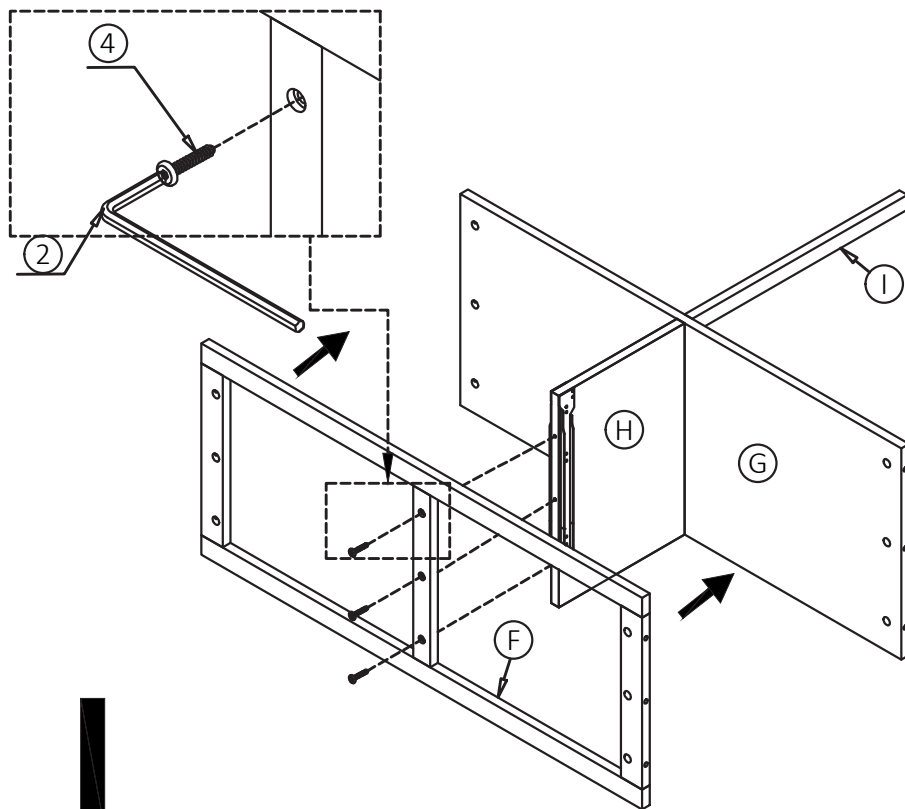
8



9



10

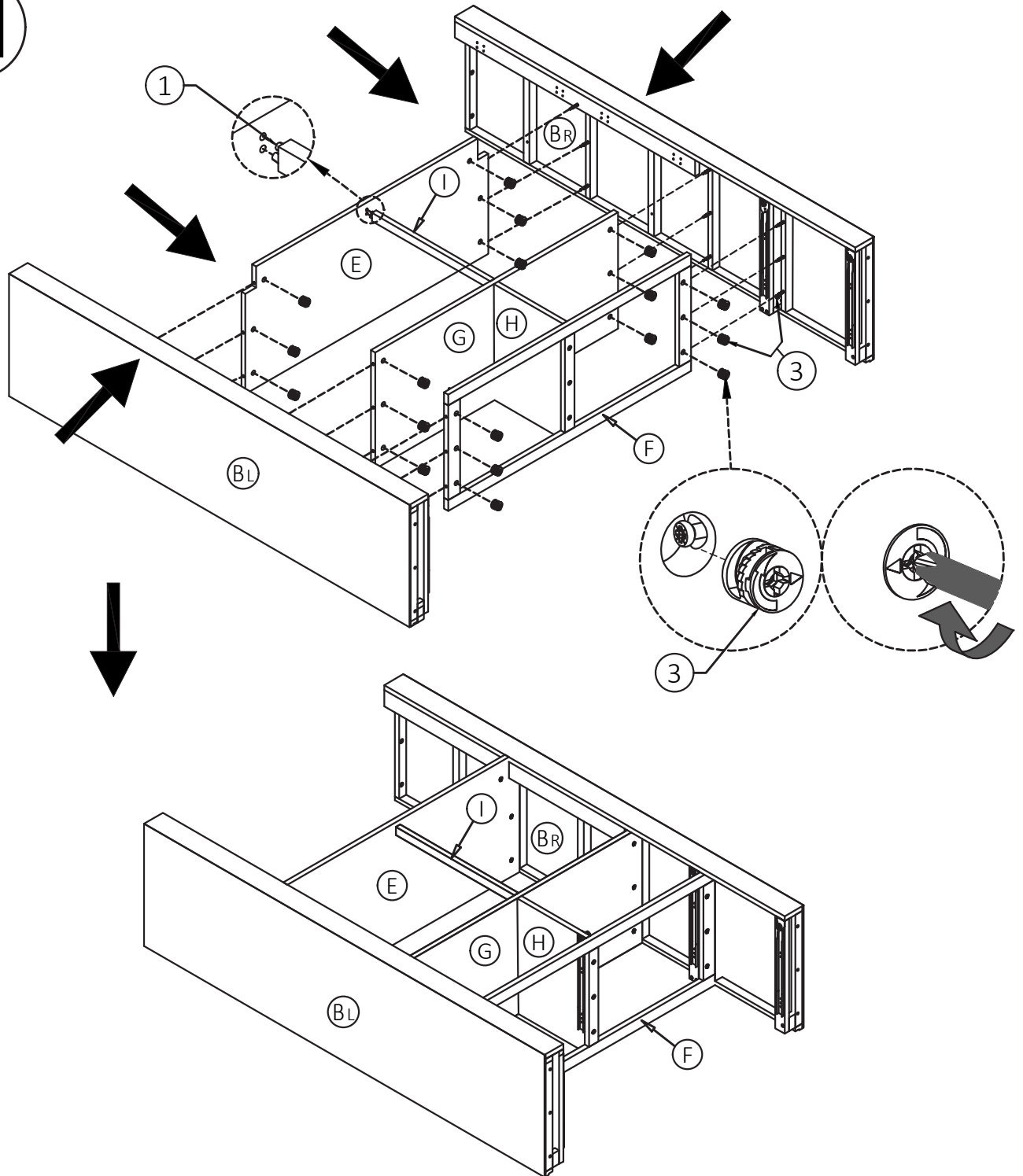


# BANAK

# SISAL

SI-0006

11

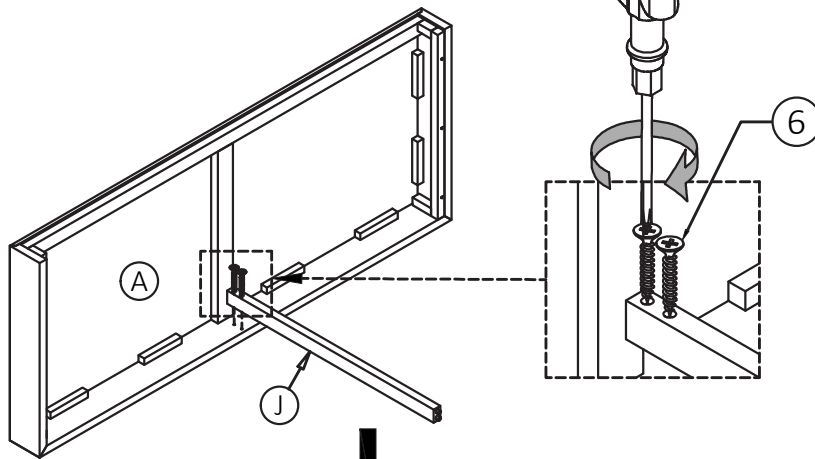


# BANAK

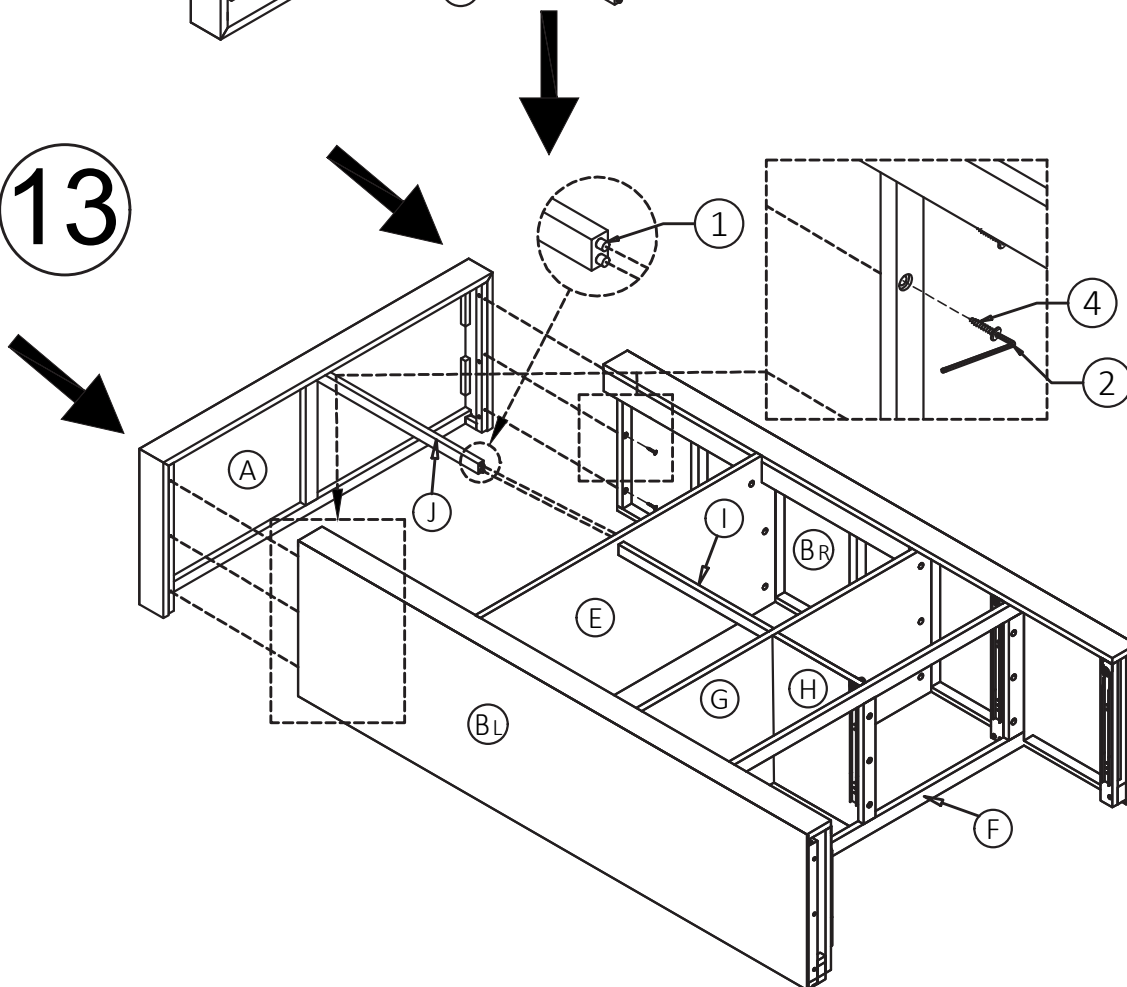
# SISAL

SI-0006

12



13



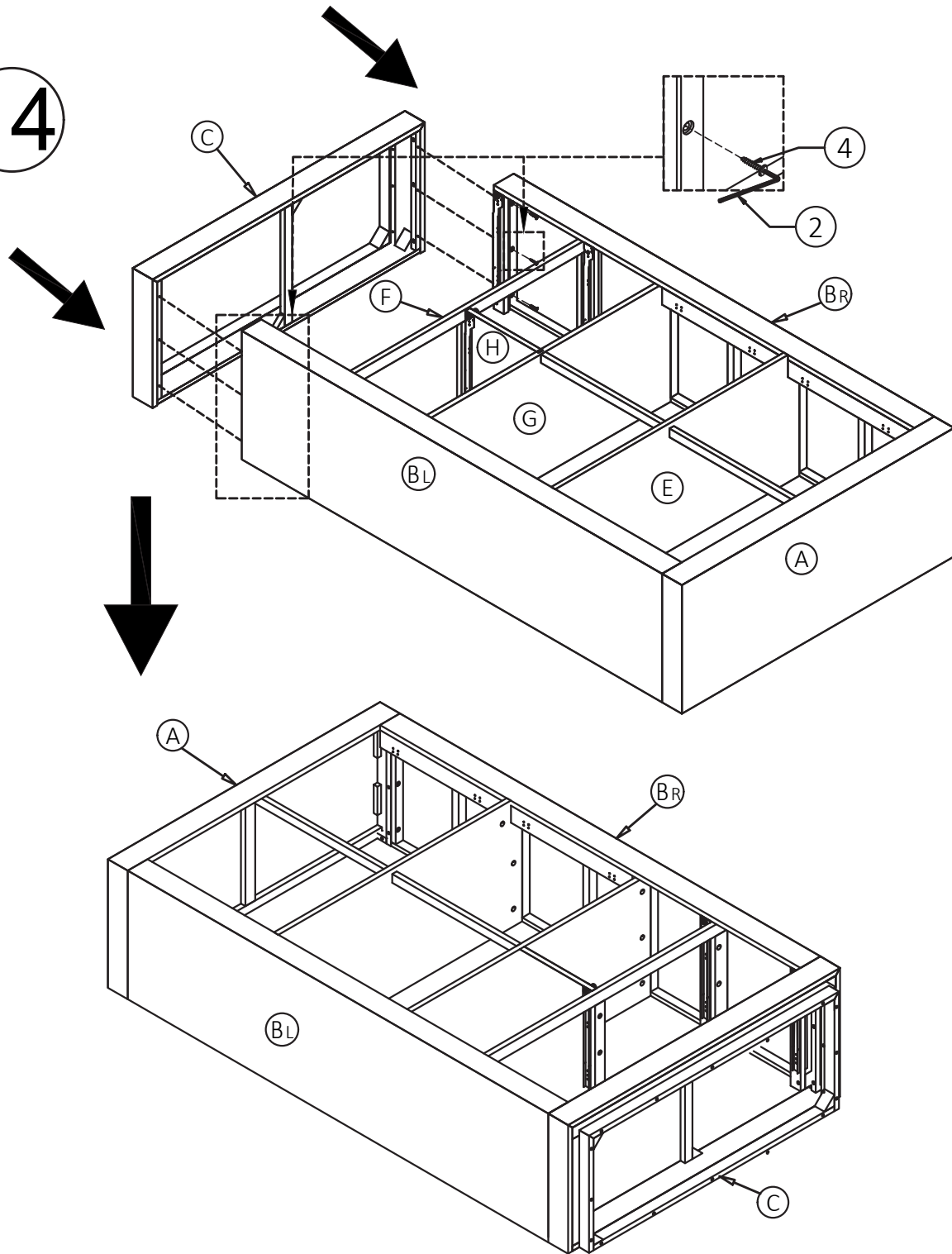


# BANAK

# SISAL

SI-0006

14

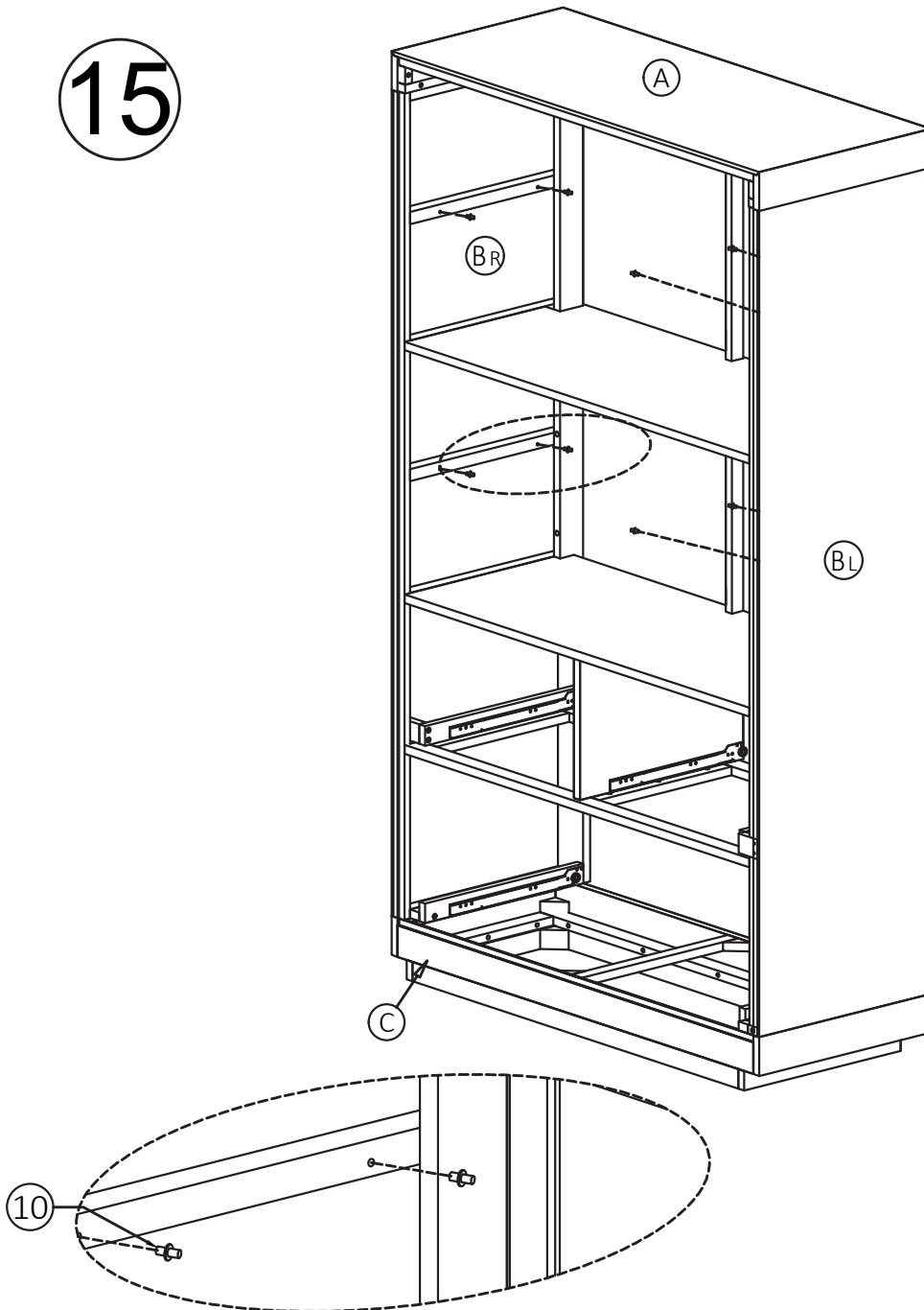


# BANAK

# SISAL

SI-0006

15

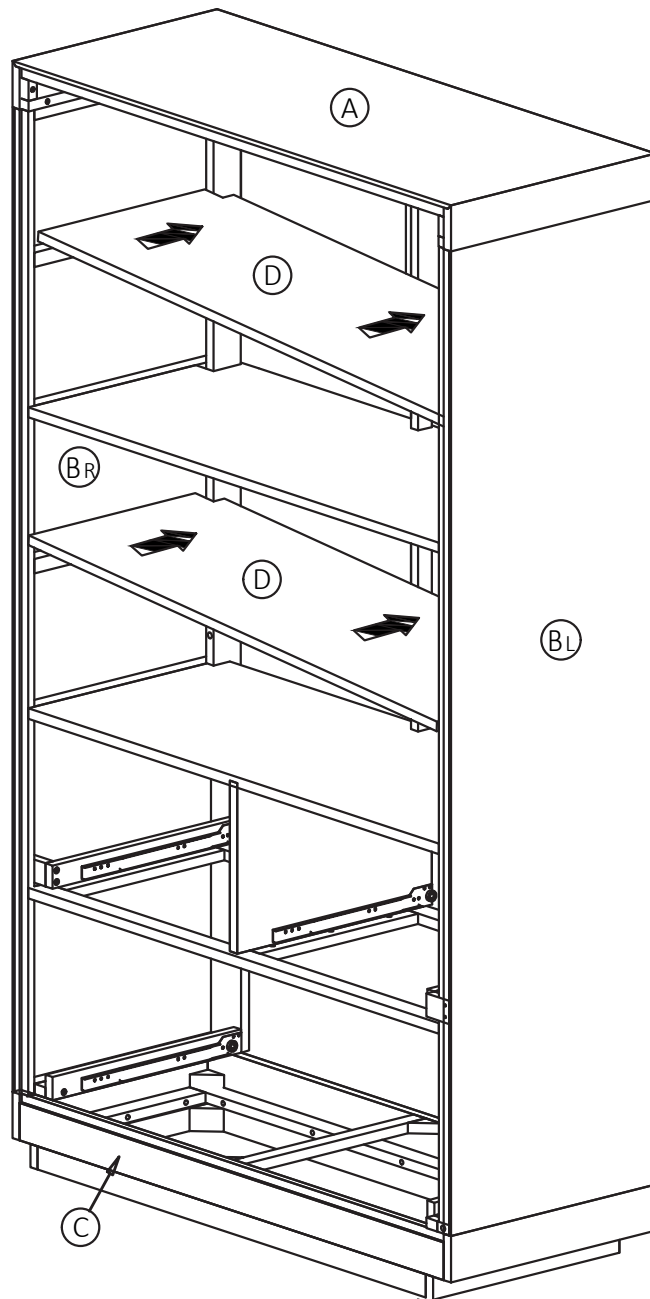


# BANAK

# SISAL

SI-0006

16

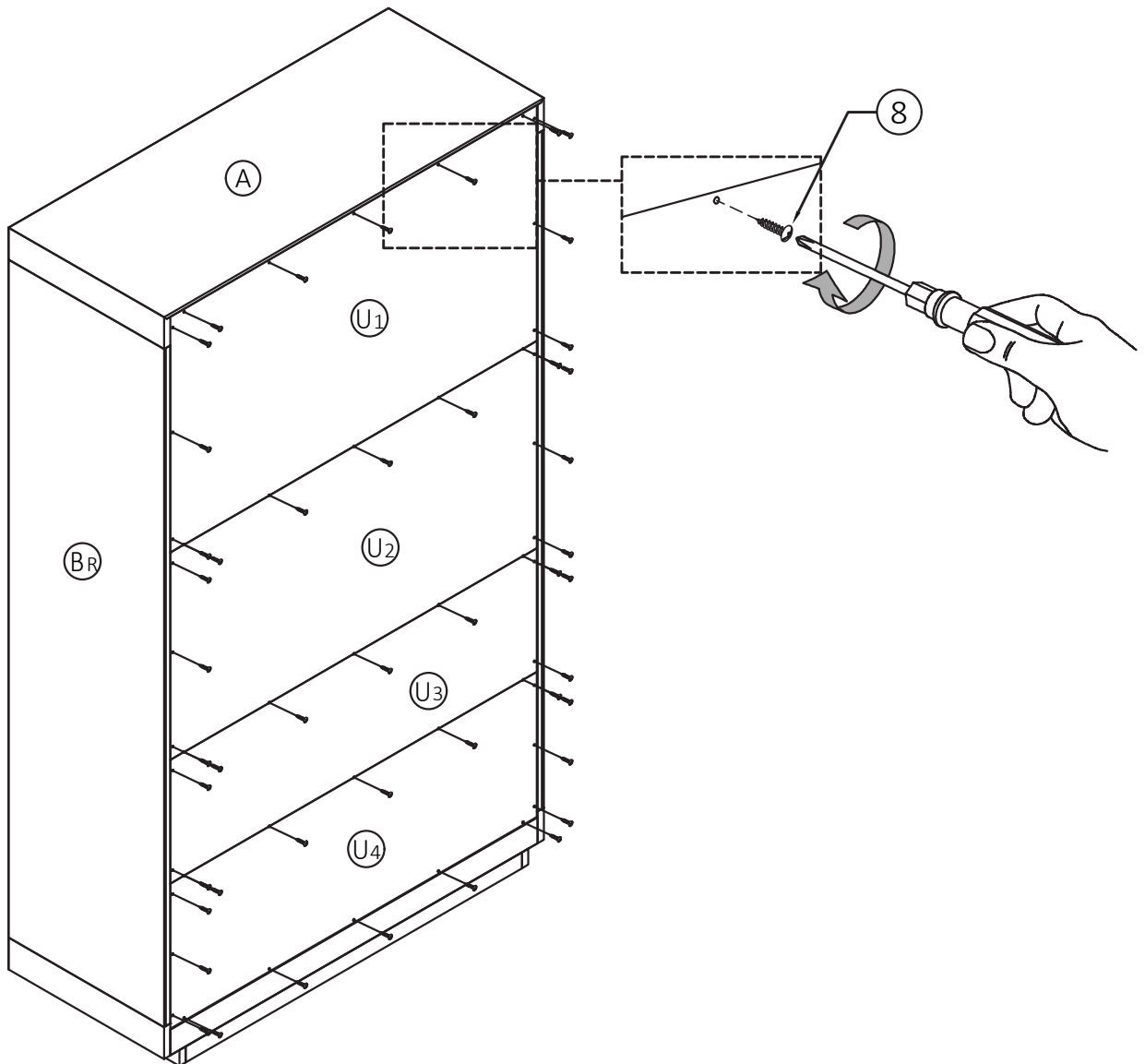


# BANAK

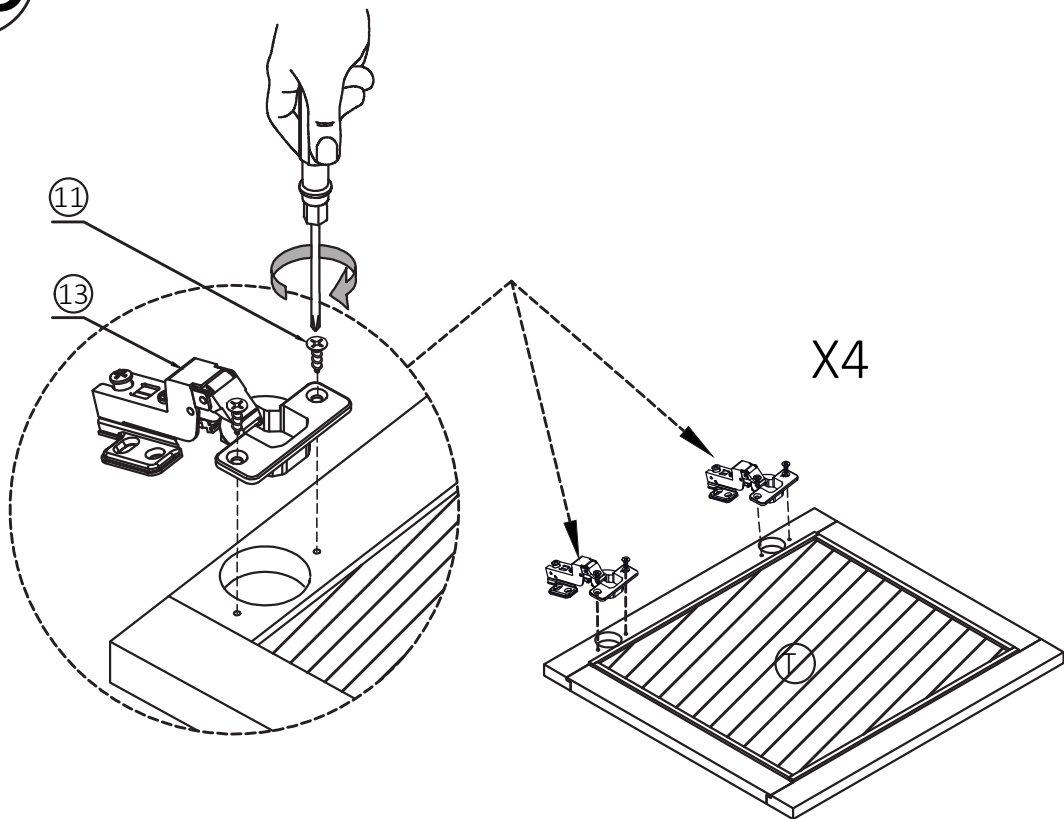
# SISAL

SI-0006

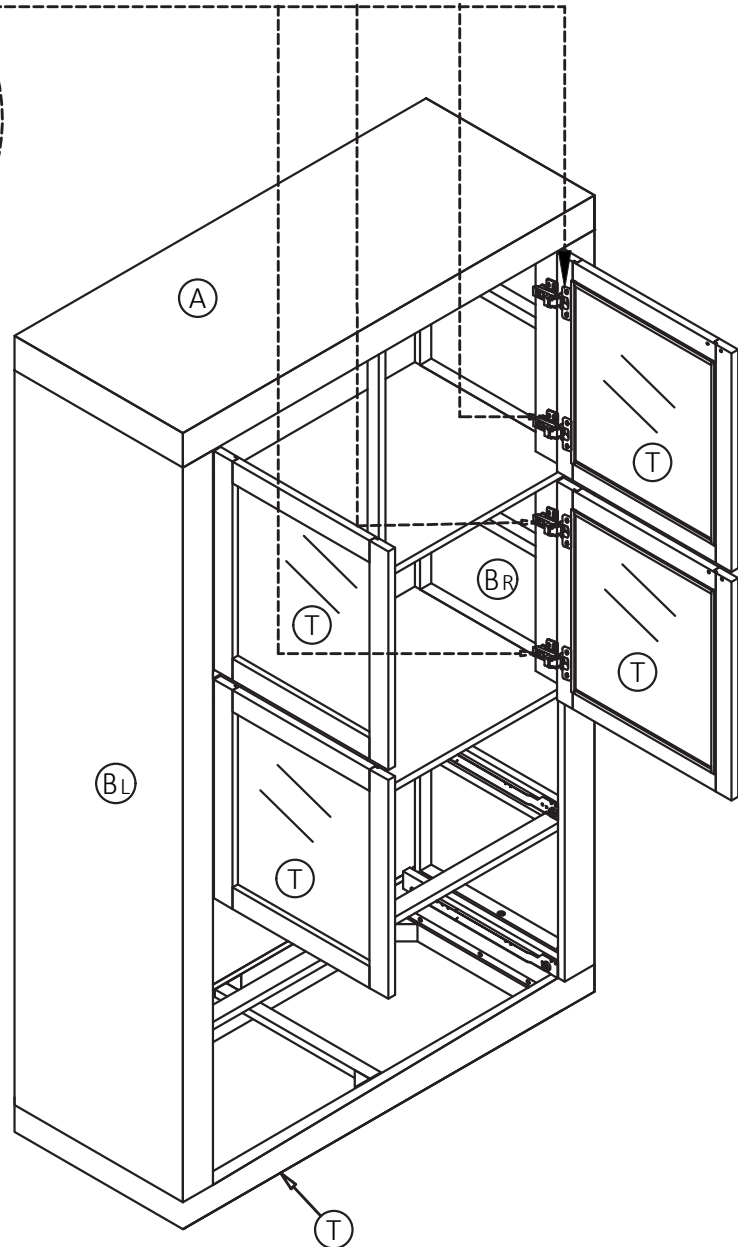
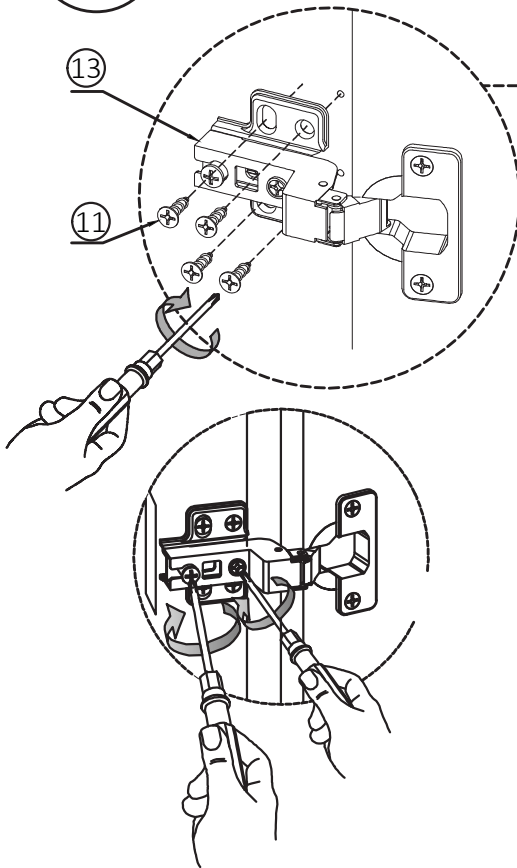
17



18



19

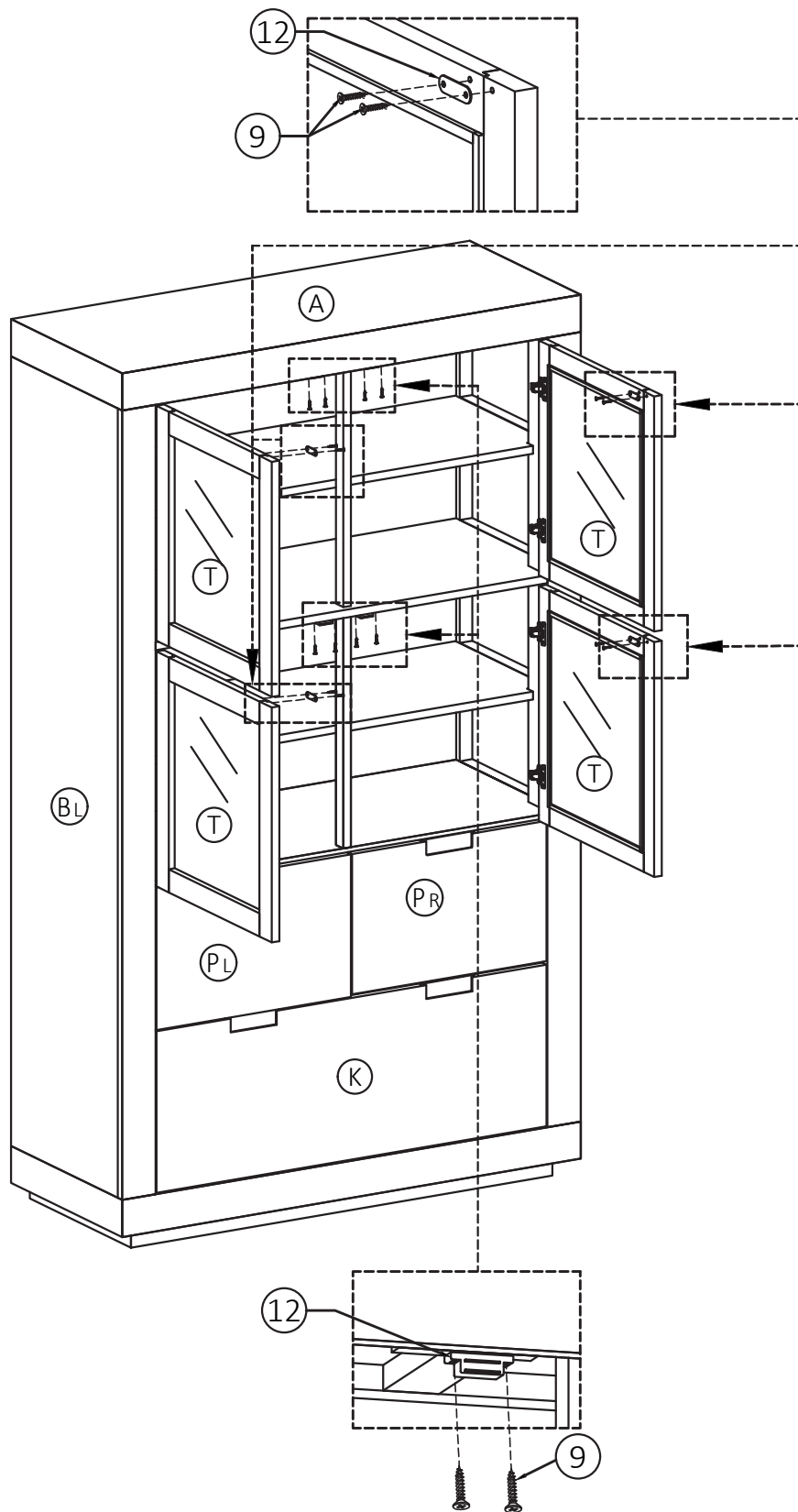


# BANAK

# SISAL

SI-0006

20

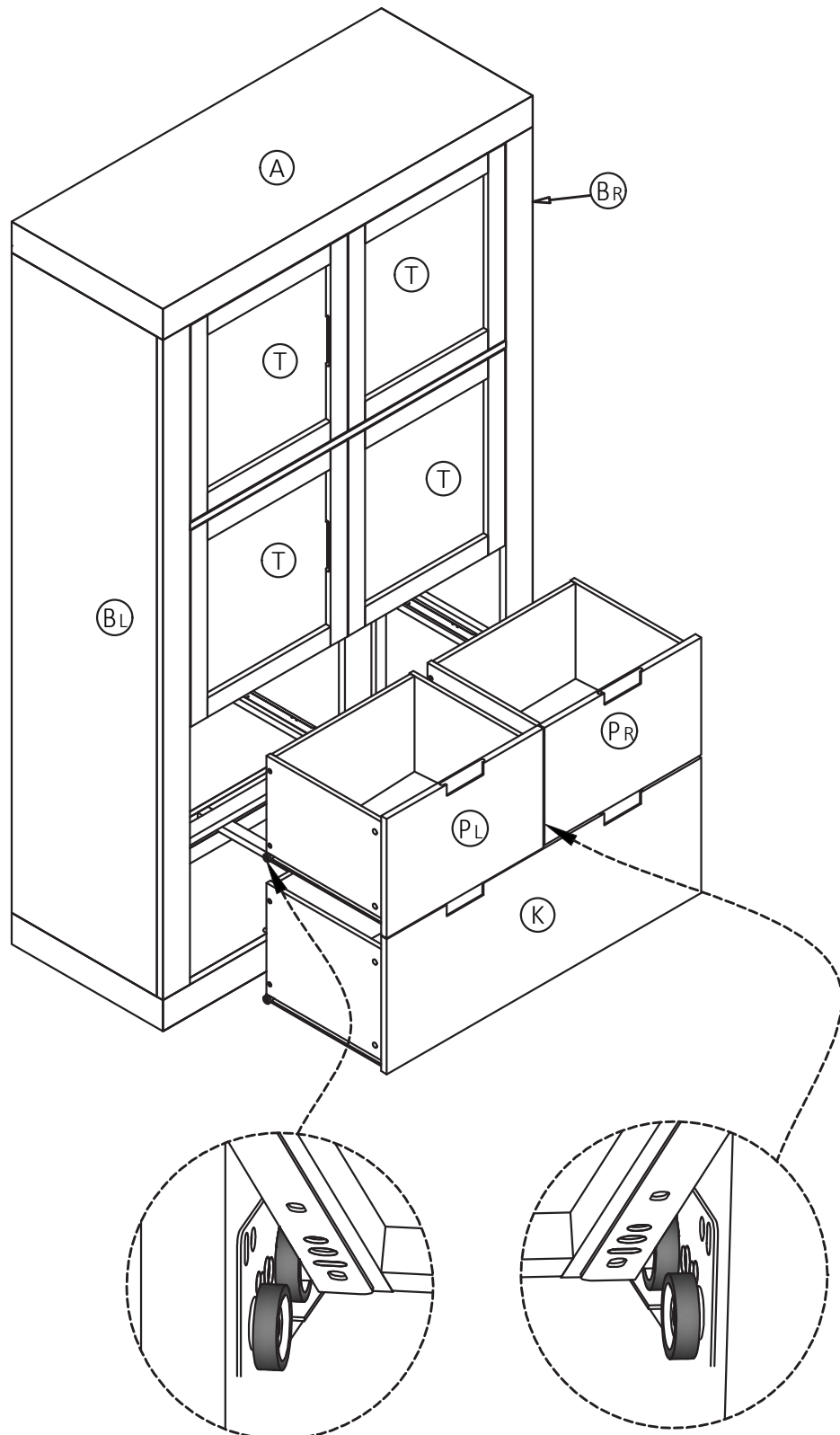


# BANAK

# SISAL

SI-0006

21





# BANAK

# SISAL

SI-0006

22

