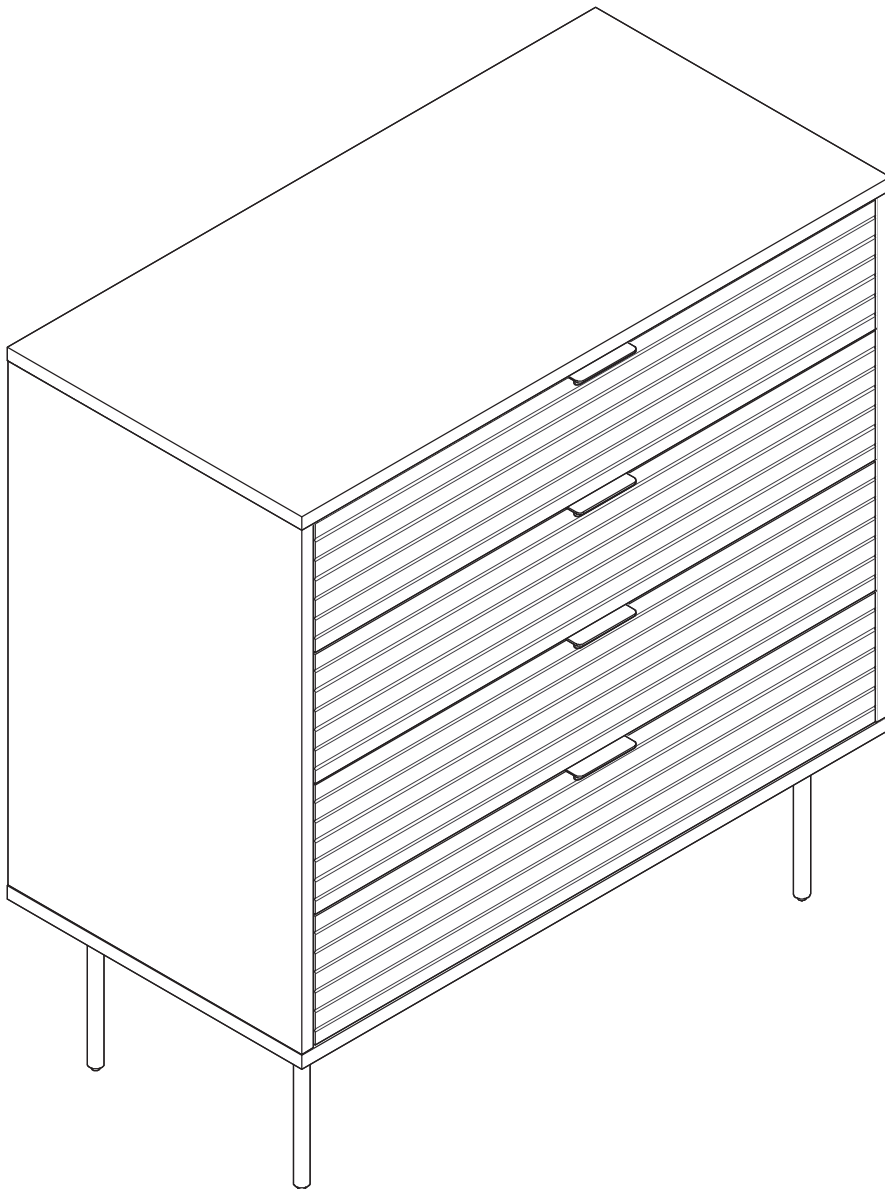


BANAK

SHIRO

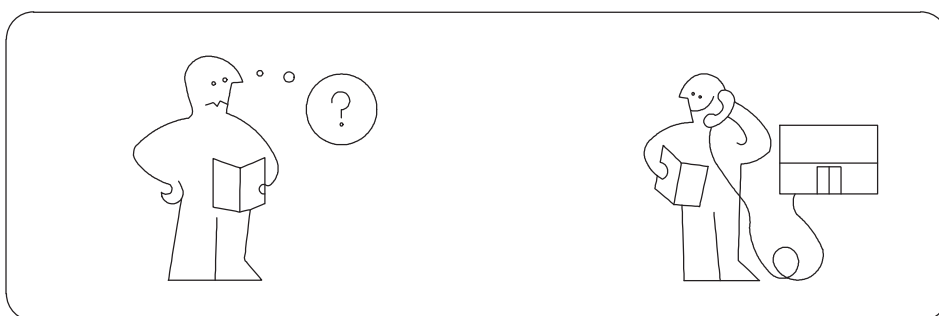
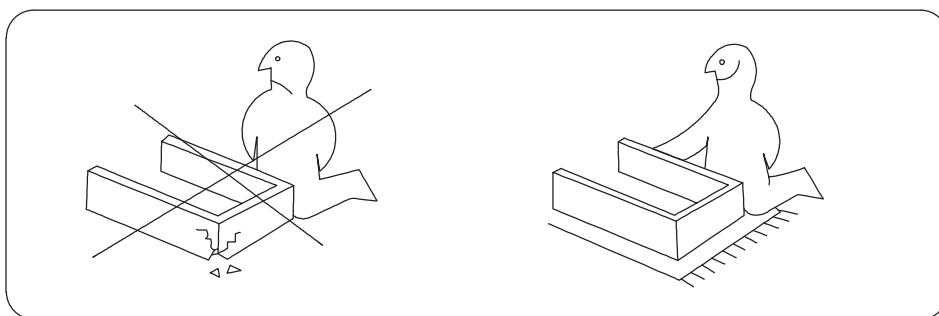
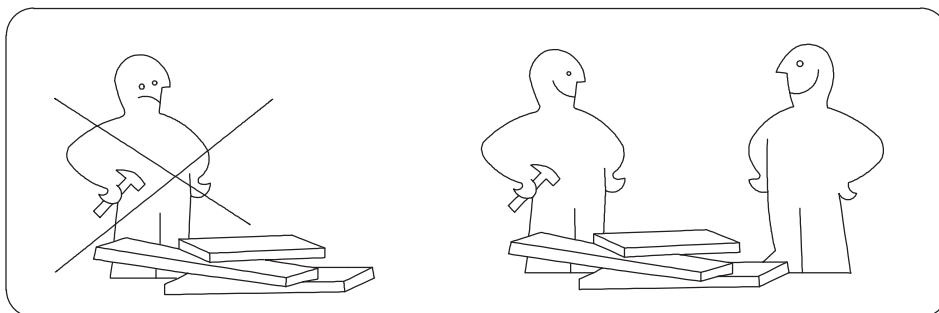
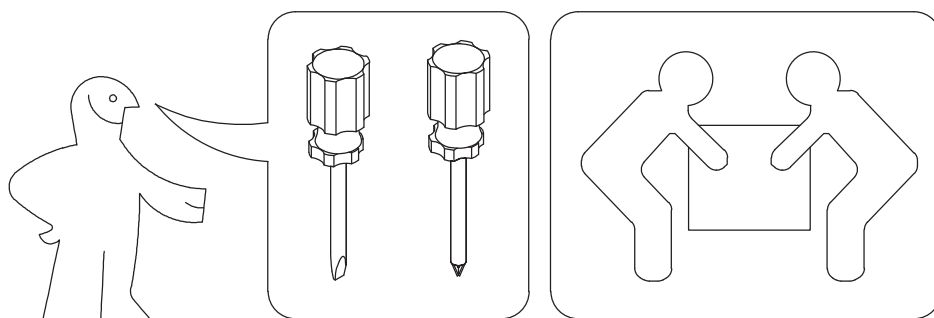
SO-0114BC-R



BANAK

SHIRO

SO-0114BC-R



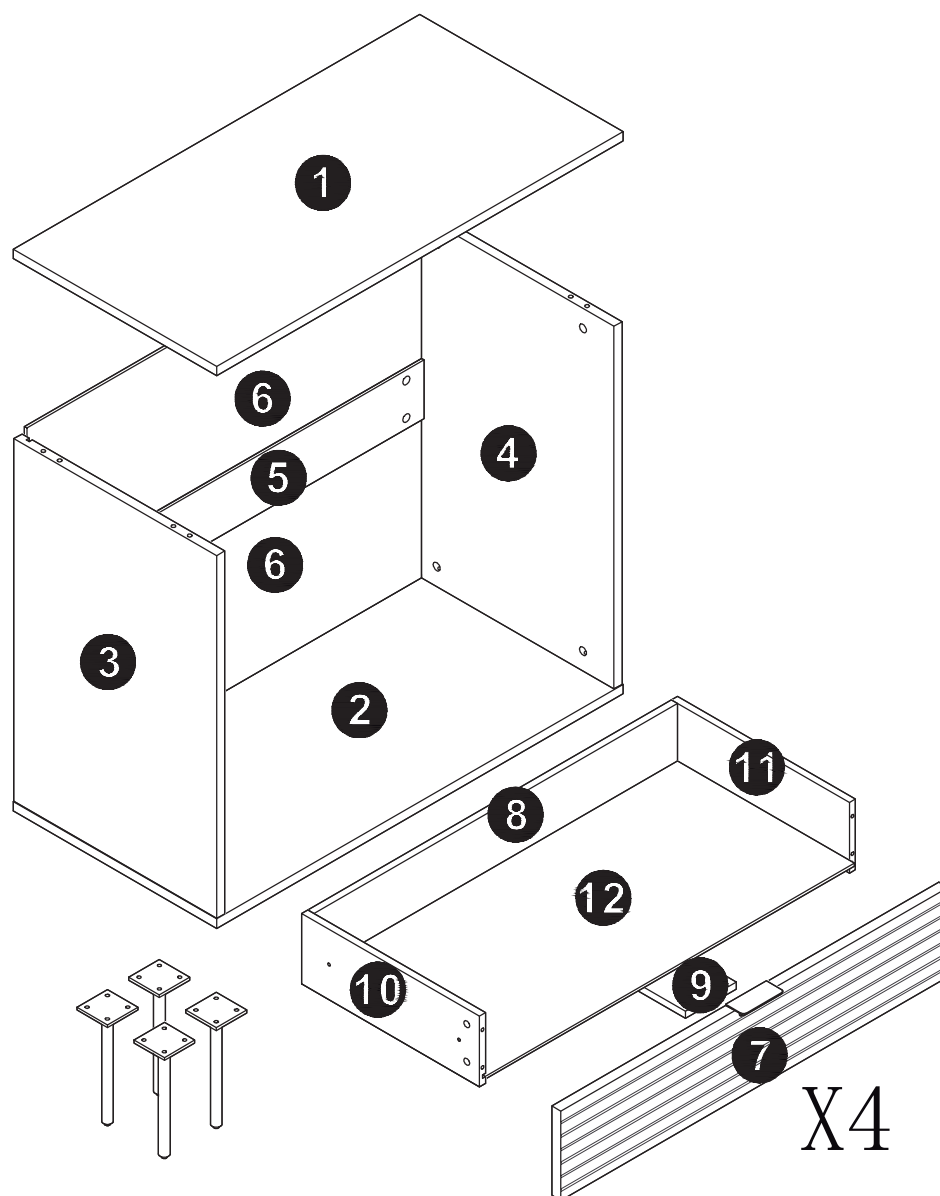
BANAK

SHIRO

SO-0114BC-R

1	800x400x16	x1
2	800x400x16	x1
3	618x399x16	x1
4	618x399x16	x1
5	766x100x16	x1
6	776x269x5	x2

7	762x151x18	x4
8	716x120x12	x4
9	338x100x12	x4
10	350x120x12	x4
11	350x120x12	x4
12	726x348x5	x4



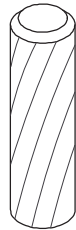
BANAK

SHIRO

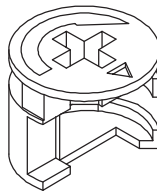
SO-0114BC-R



A=12



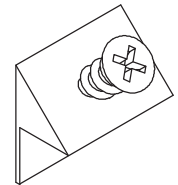
B=8



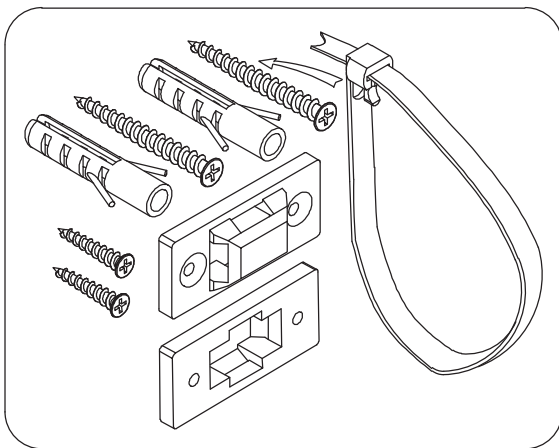
C=12



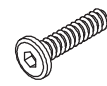
D=52



E=8



F=1

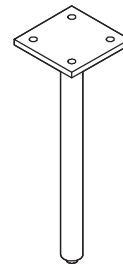


M6*16

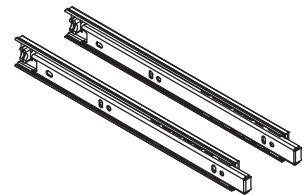
G1=16



H=1



J=4



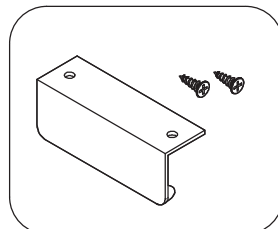
N=4



O=40



P=40



U=4

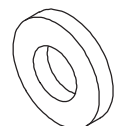


M3.5*12

V1=32



Z1=16



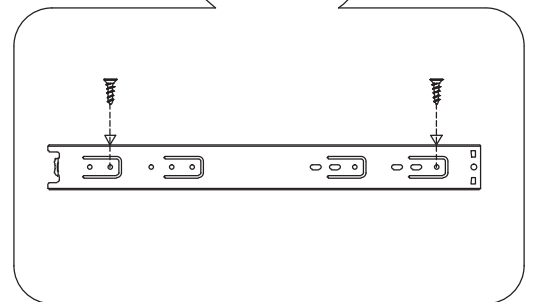
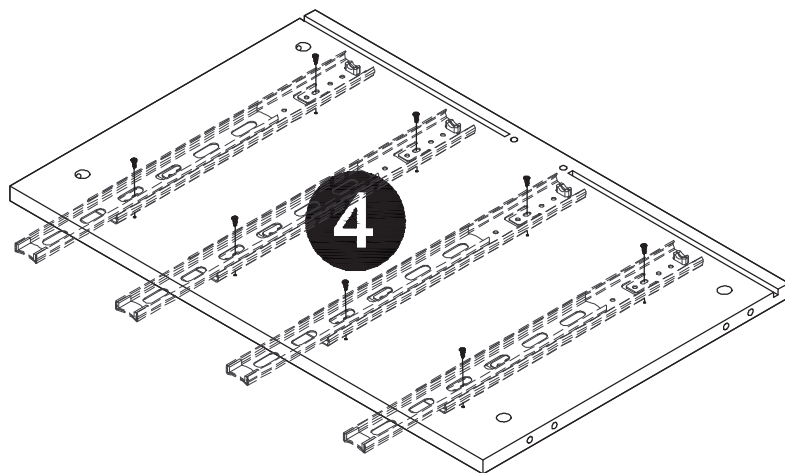
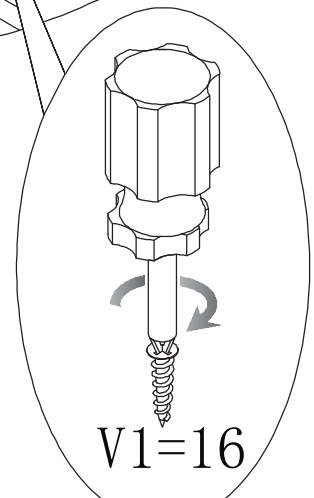
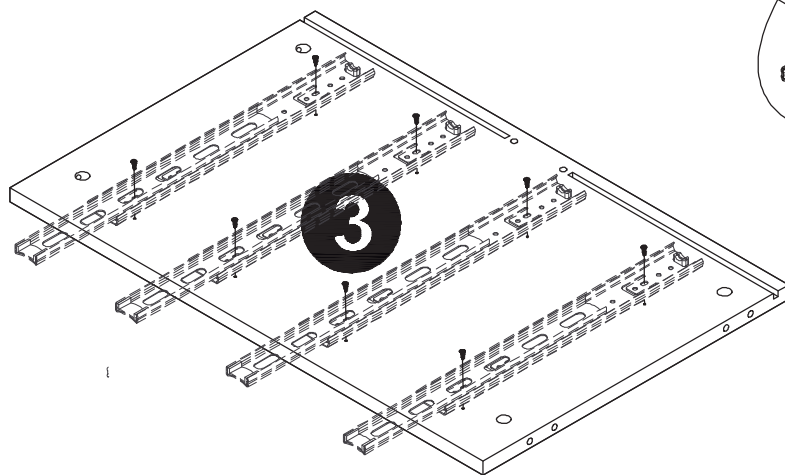
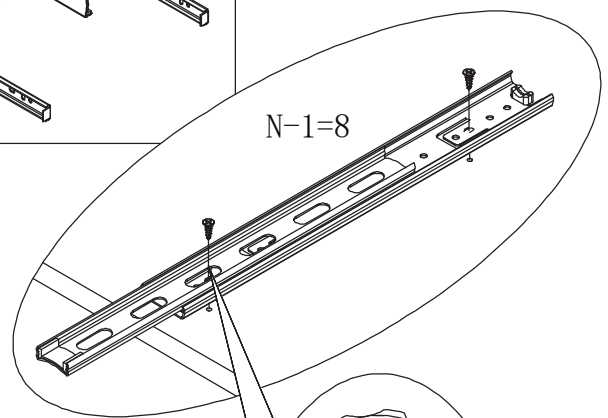
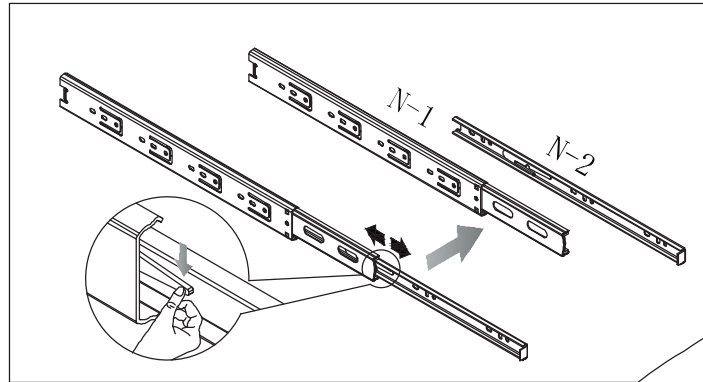
Z2=16

BANAK

SHIRO

SO-0114BC-R

1

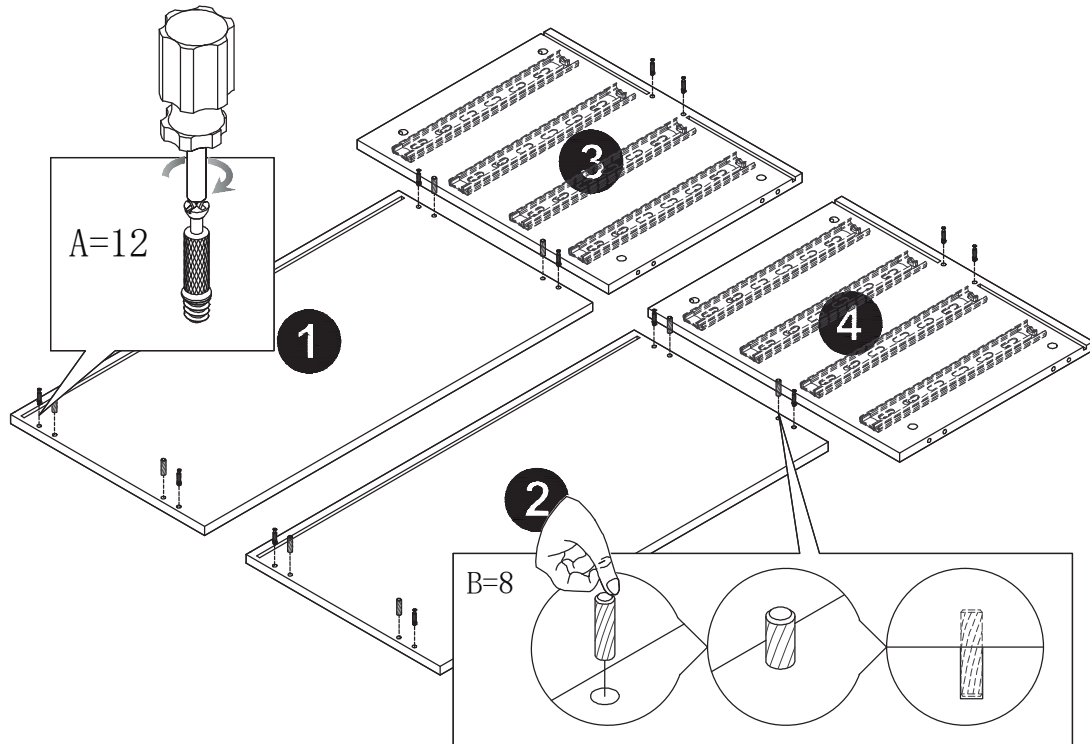


BANAK

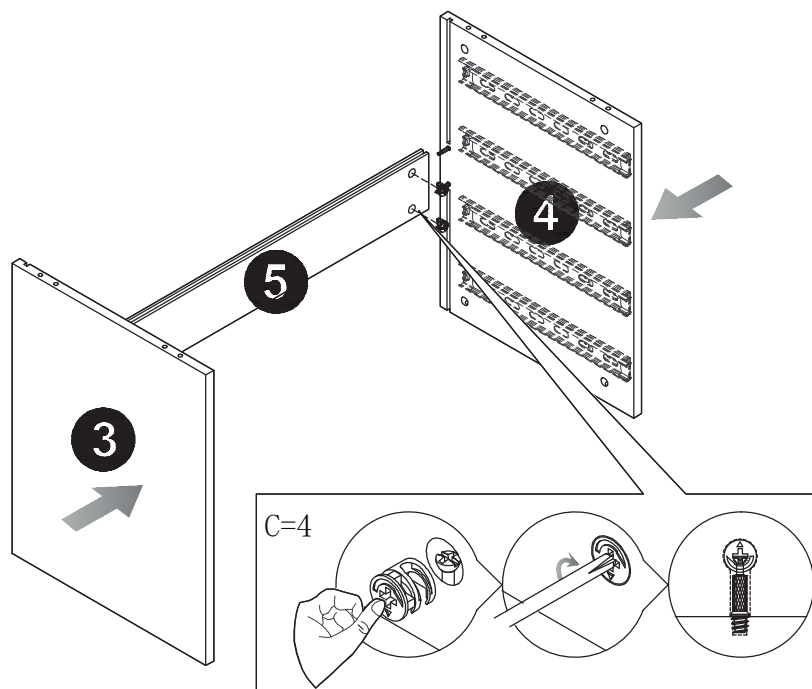
SHIRO

SO-0114BC-R

②



③

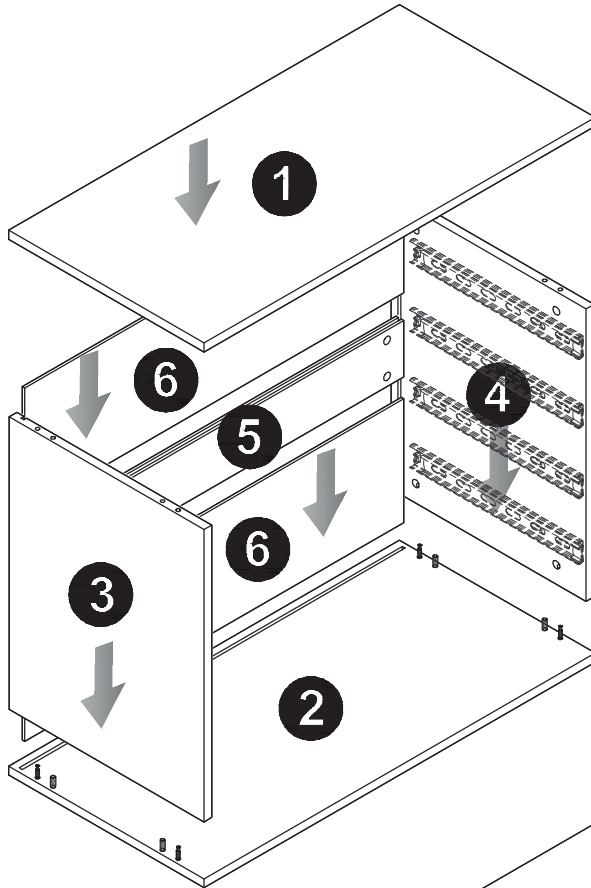


BANAK

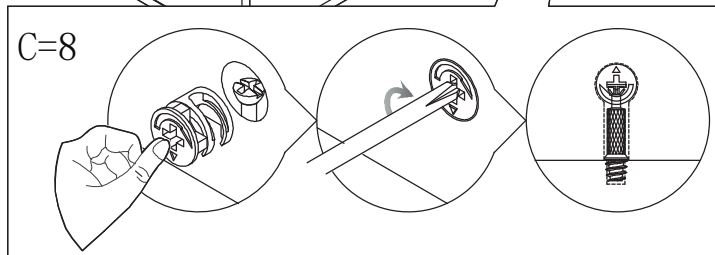
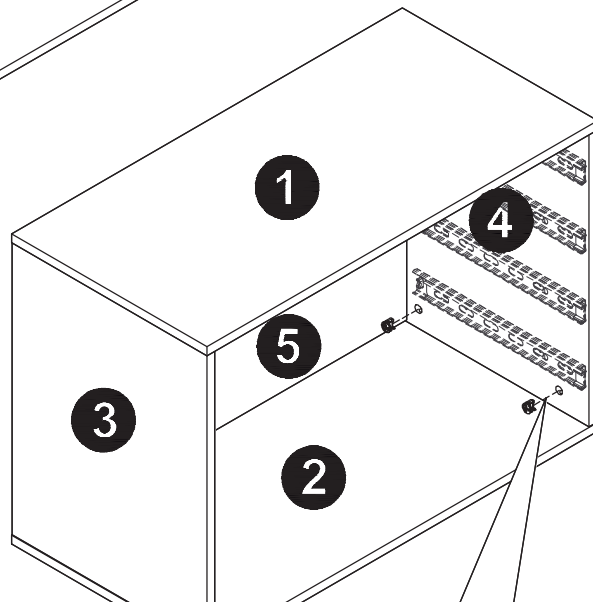
SHIRO

SO-0114BC-R

④



⑤

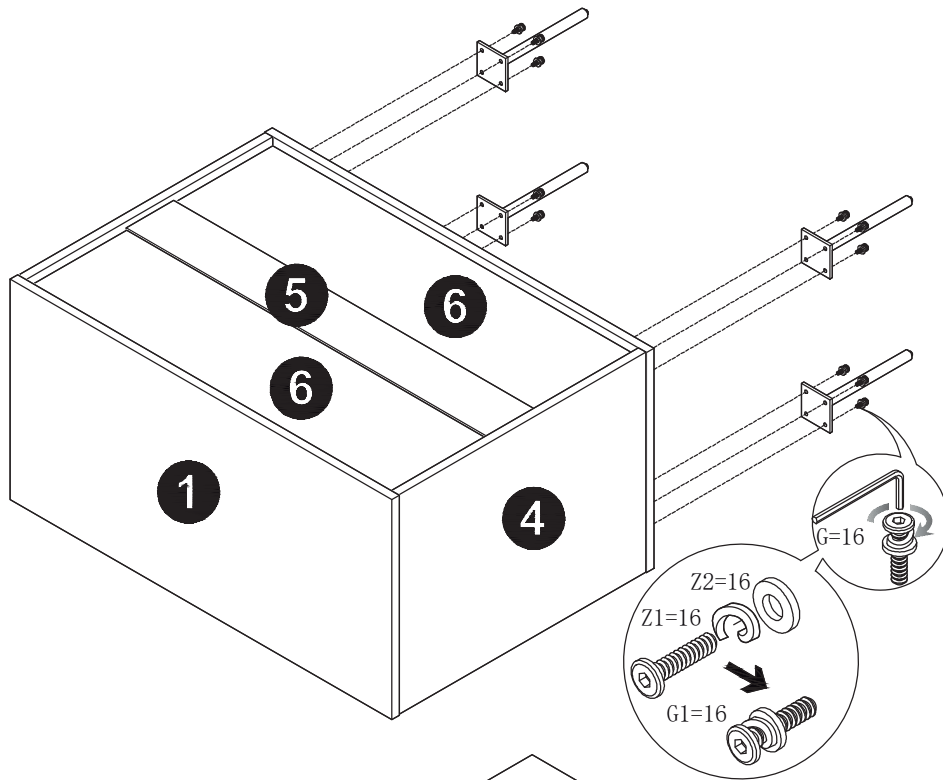


BANAK

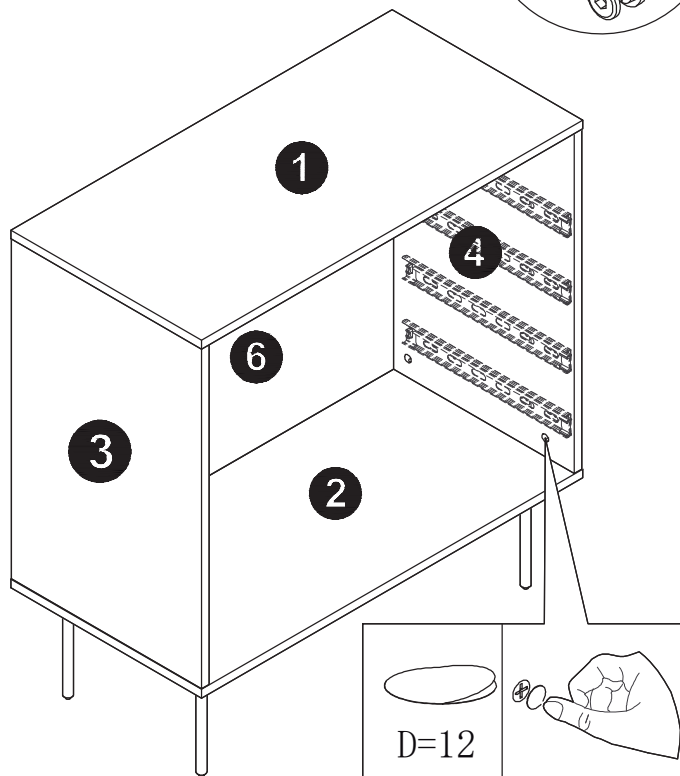
SHIRO

SO-0114BC-R

6



7

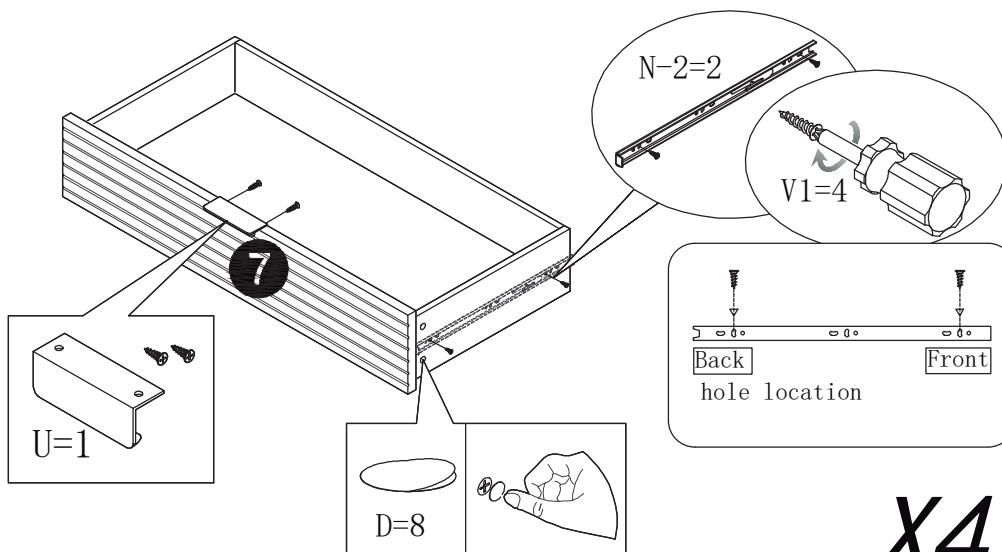
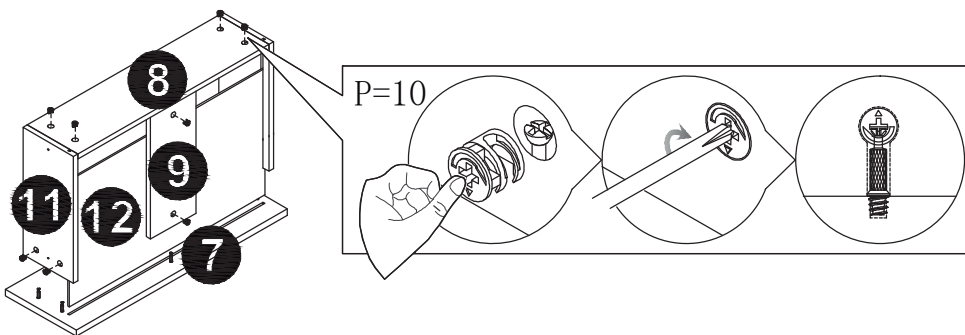
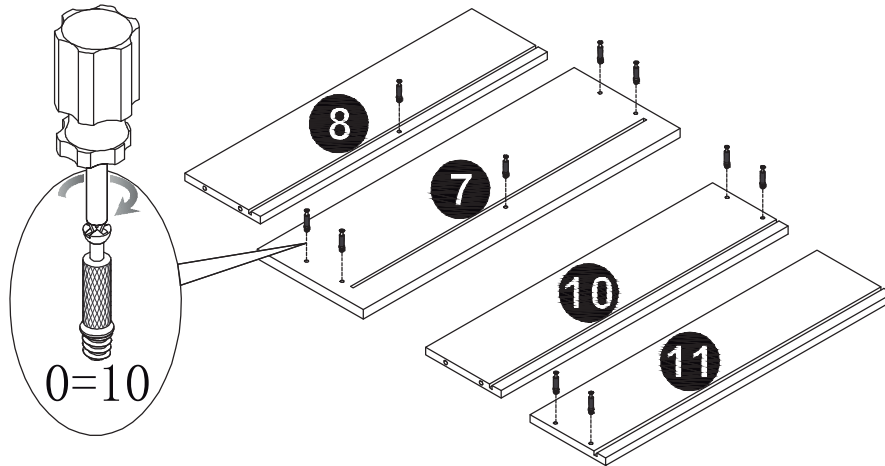


BANAK

SHIRO

SO-0114BC-R

8

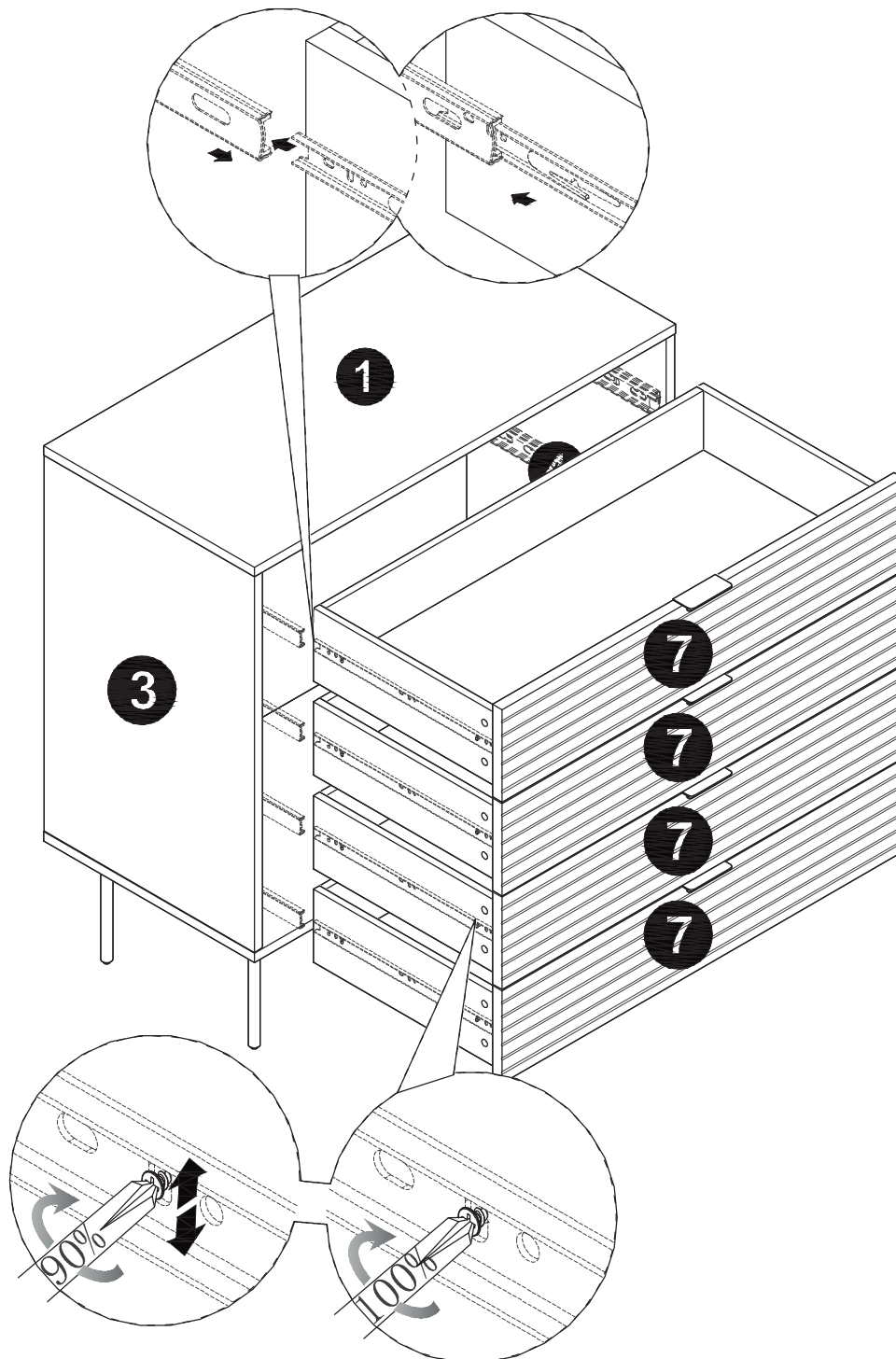


BANAK

SHIRO

SO-0114BC-R

9

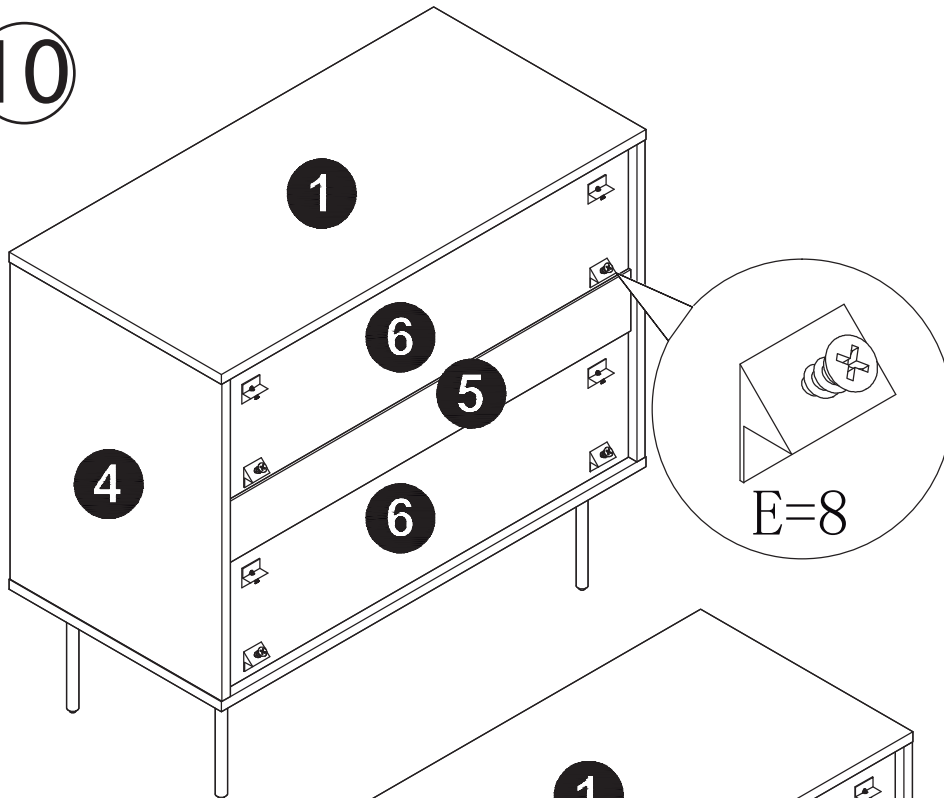


BANAK

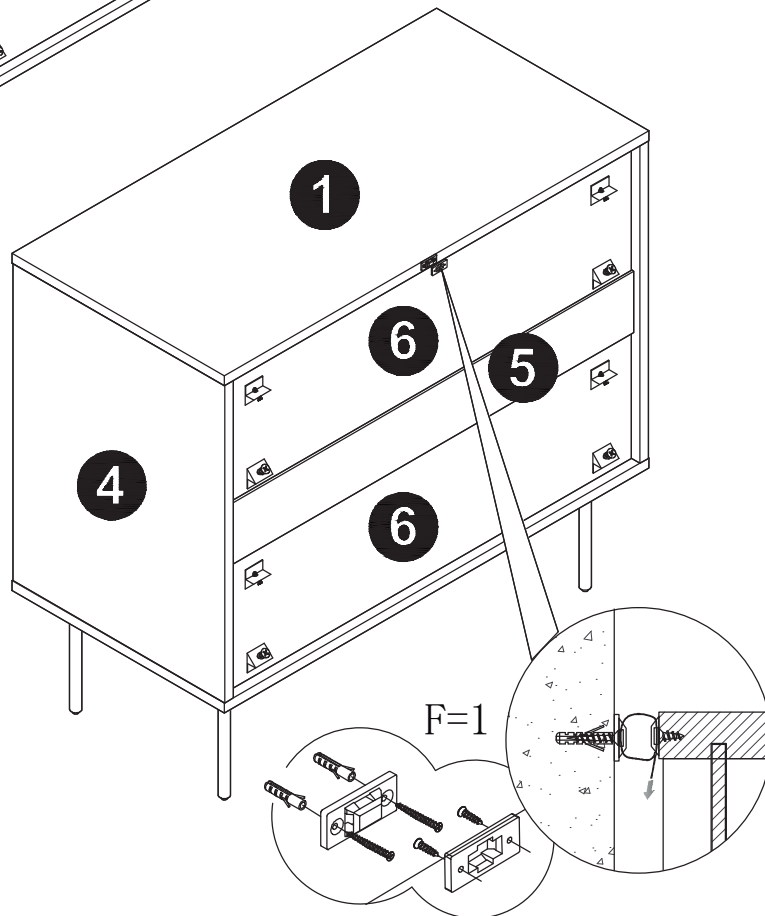
SHIRO

SO-0114BC-R

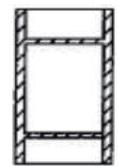
10



11



X



X

