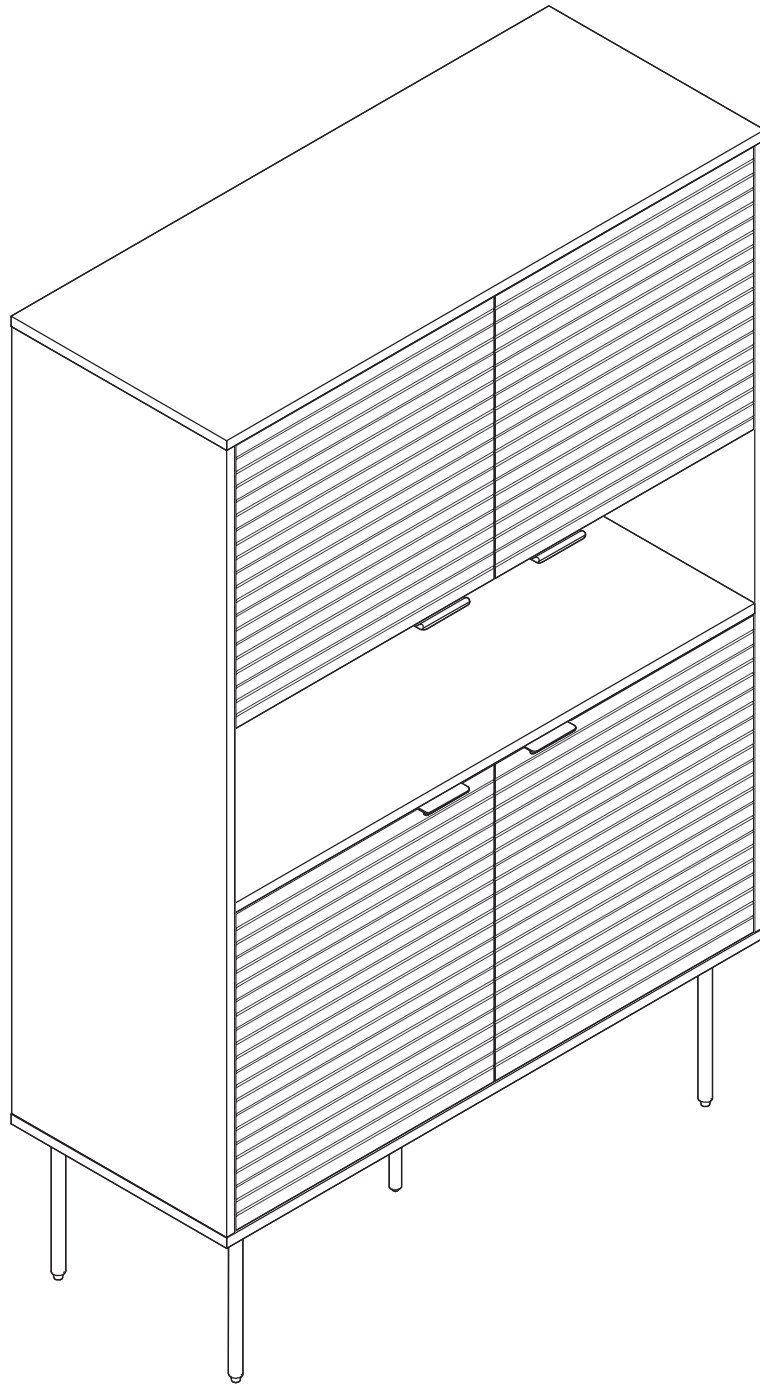


# BANAK

# SHIRO

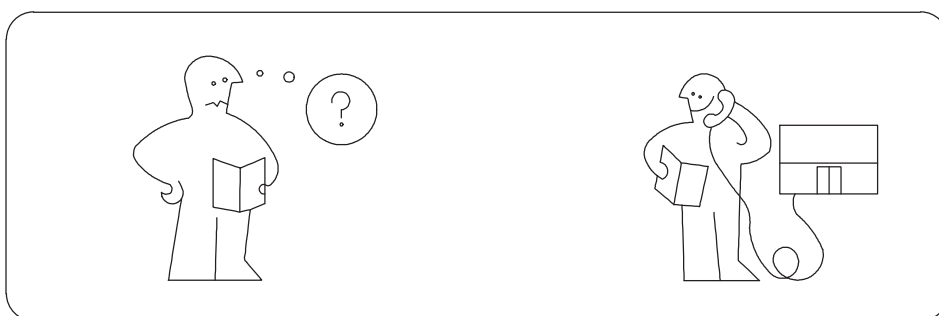
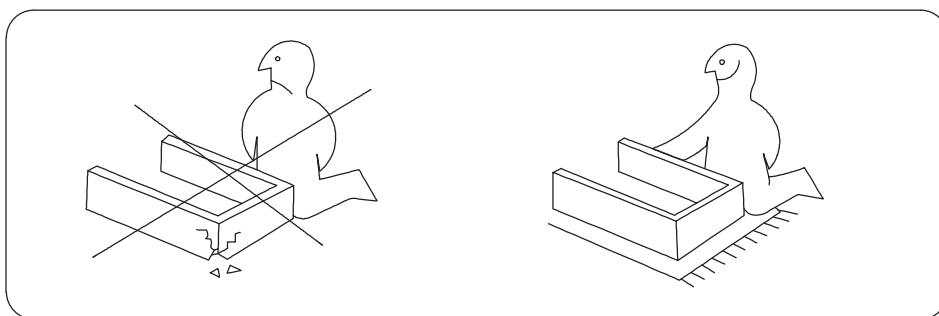
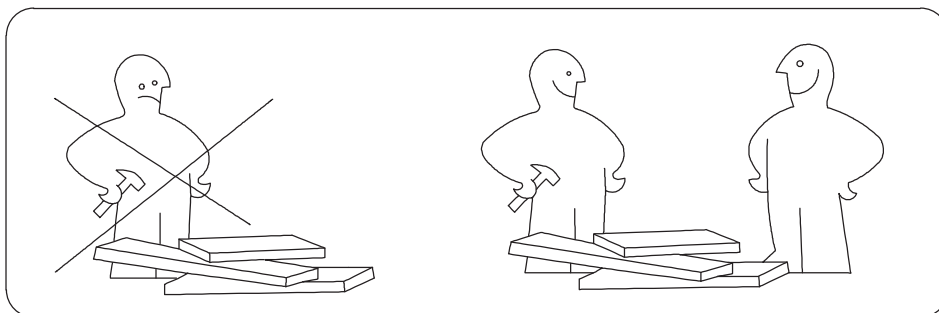
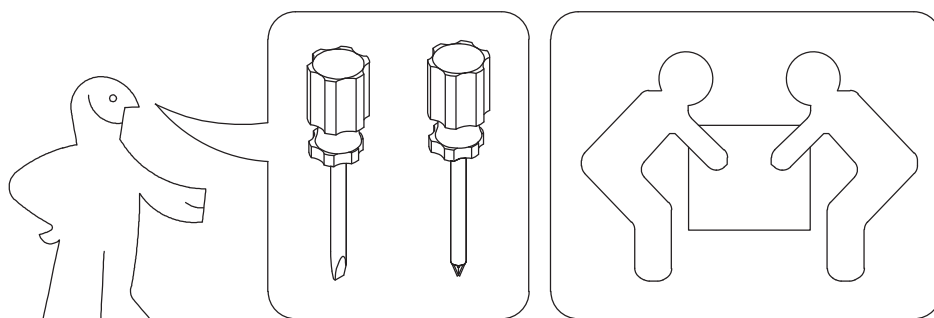
SO-0117BC-R



# BANAK

# SHIRO

SO-0117BC-R



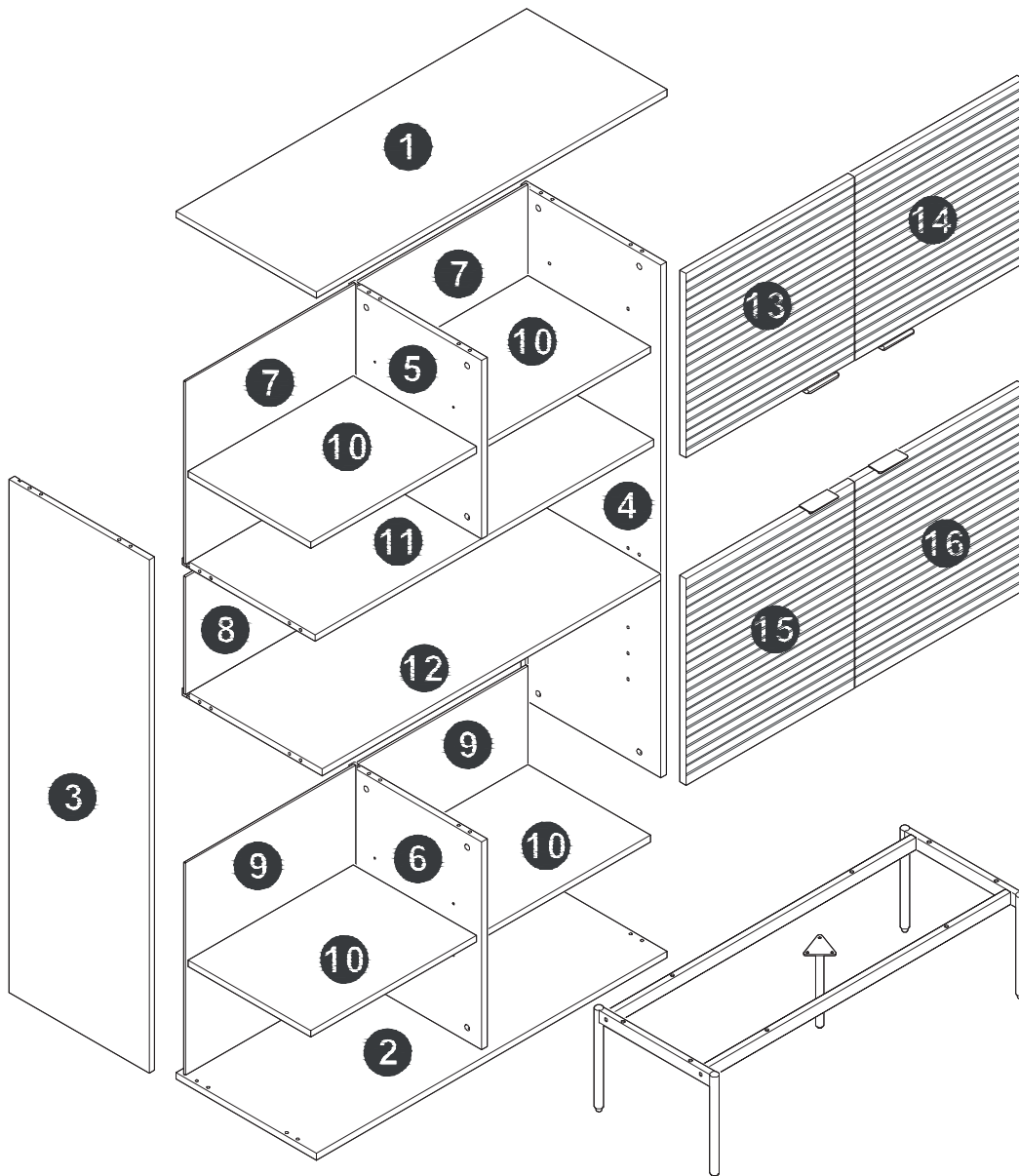
# BANAK

# SHIRO

SO-0117BC-R

1	1000x400x16	x1
2	1000x400x16	x1
3	1268x399x16	x1
4	1268x399x16	x1
5	441x380x16	x1
6	514x380x16	x1
7	451x485x5	x2
8	291x976x5	x1

9	524x485x5	x2
10	472x350x16	x4
11	966x380x16	x1
12	966x399x16	x1
13	480x455x18	x1
14	480x455x18	x1
15	480x510x18	x1
16	480x510x18	x1



# BANAK

# SHIRO

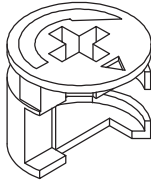
SO-0117BC-R



A=24



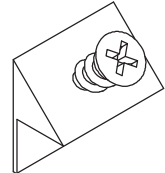
B=24



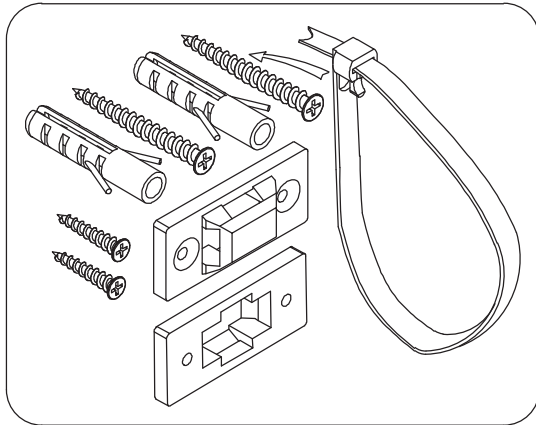
C=24



D=24



E=22

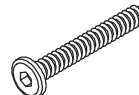


F=1



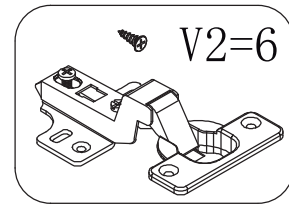
M6\*16

G1=3



M6\*40

G2=12



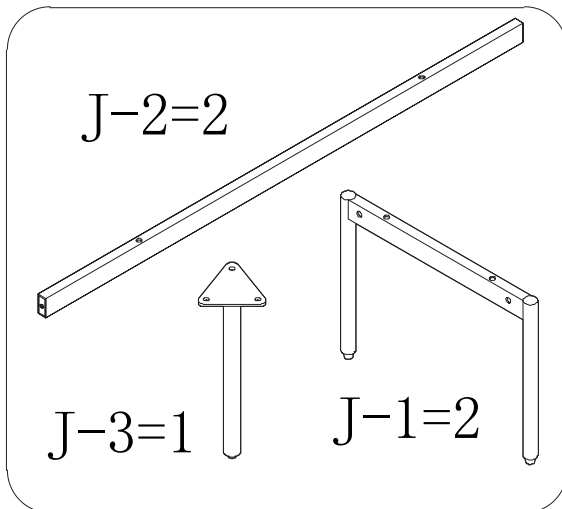
I3=8



H=1



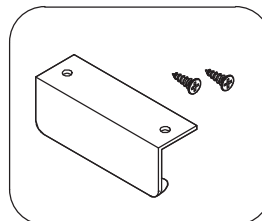
L=16



J-2=2

J-3=1

J-1=2



U=4



Z1=3



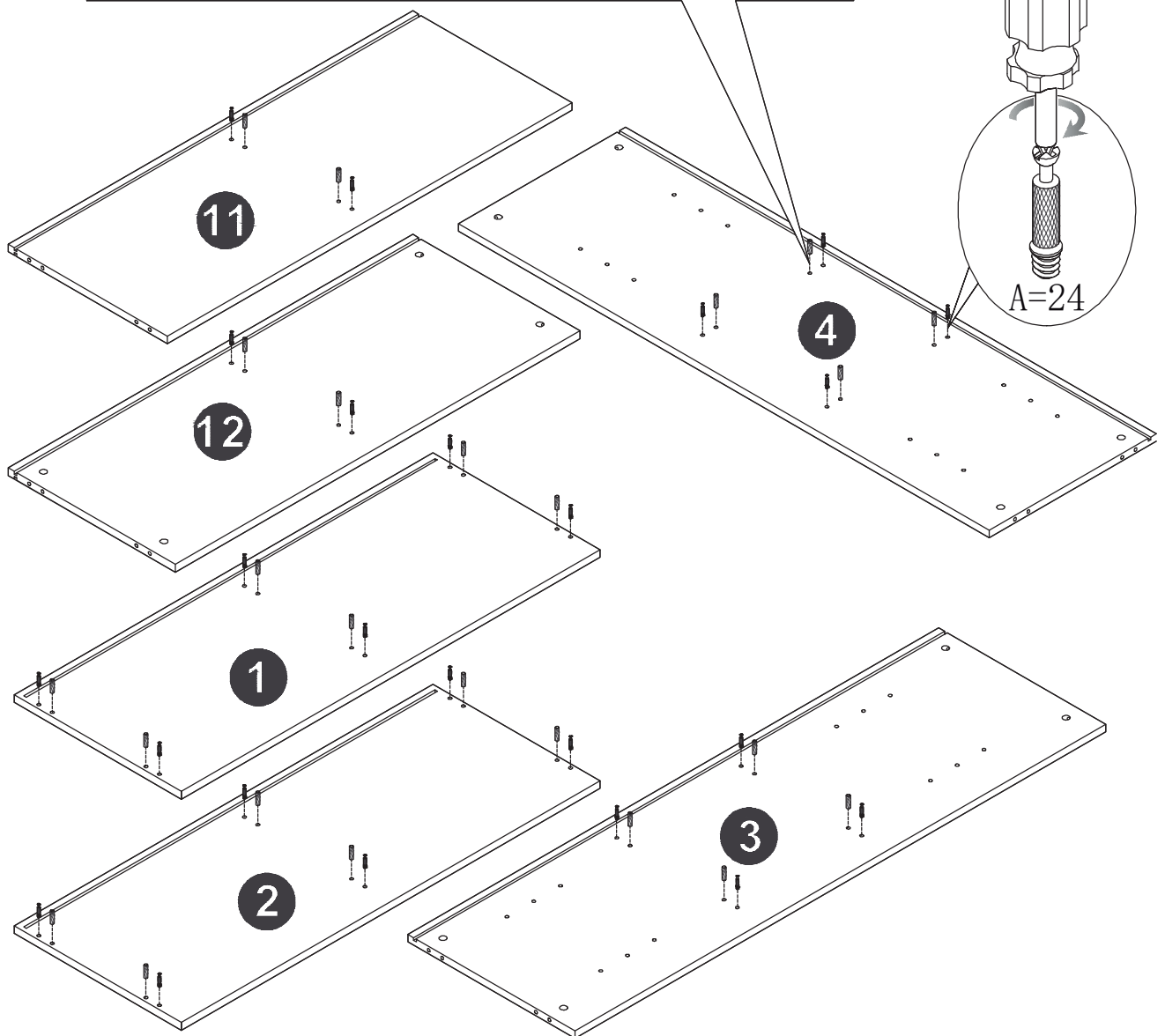
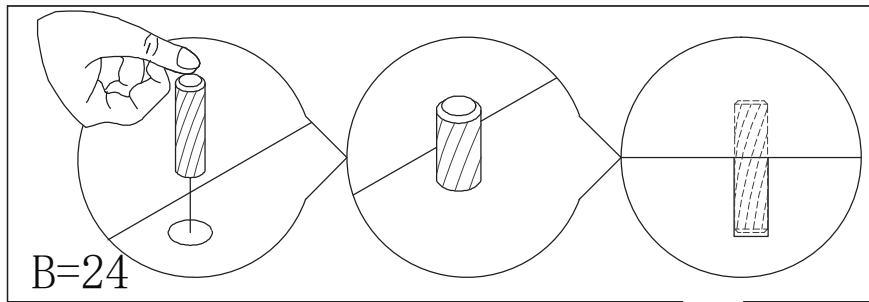
Z2=3

# BANAK

# SHIRO

SO-0117BC-R

1

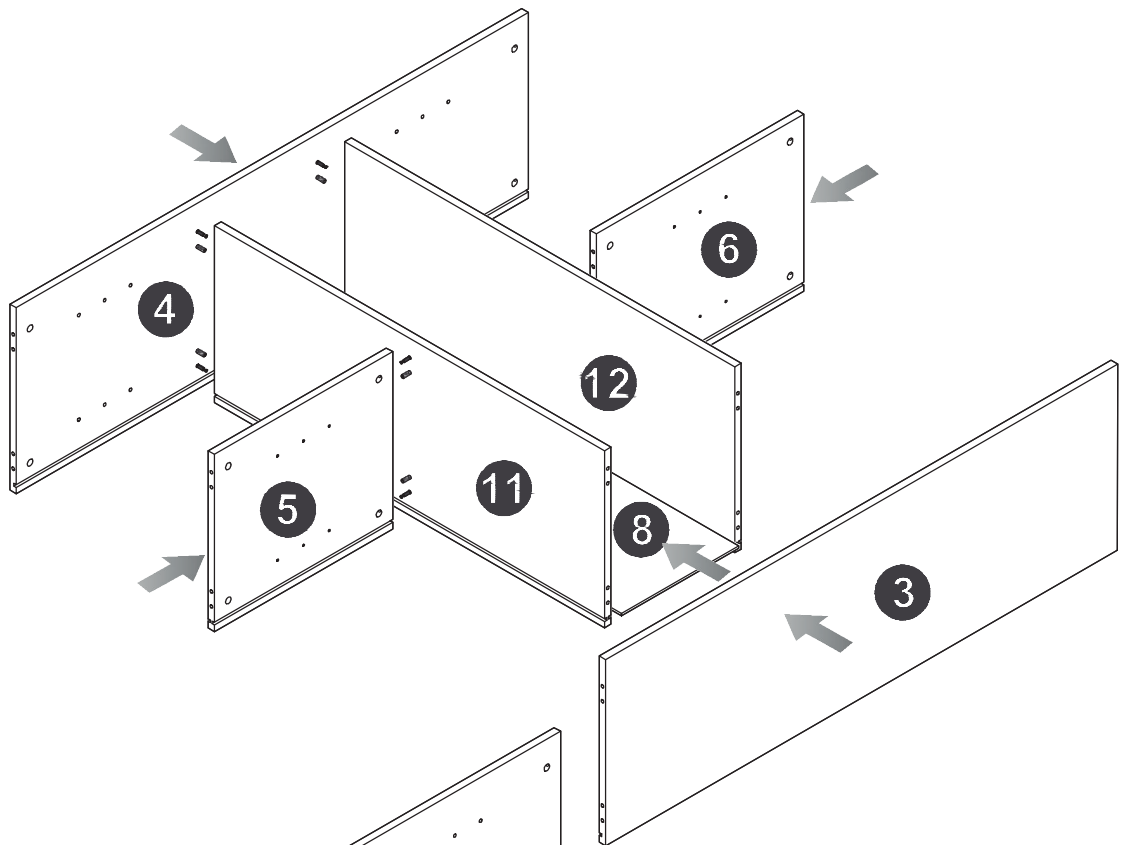


# BANAK

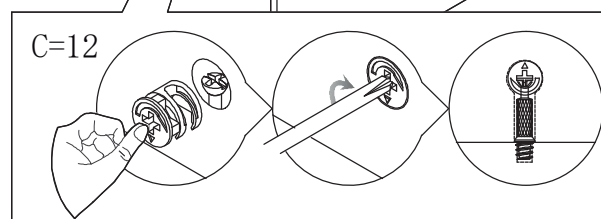
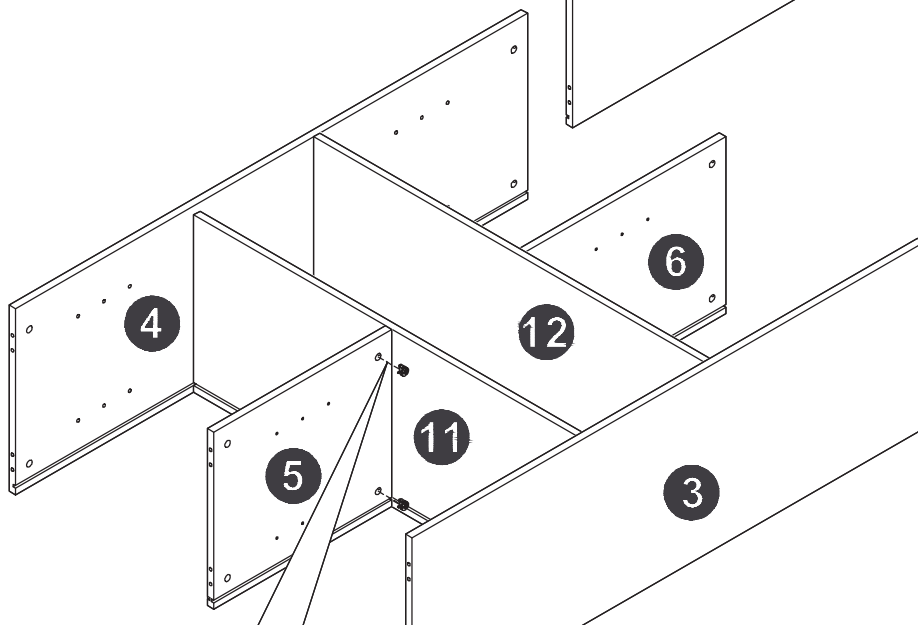
# SHIRO

SO-0117BC-R

②



③

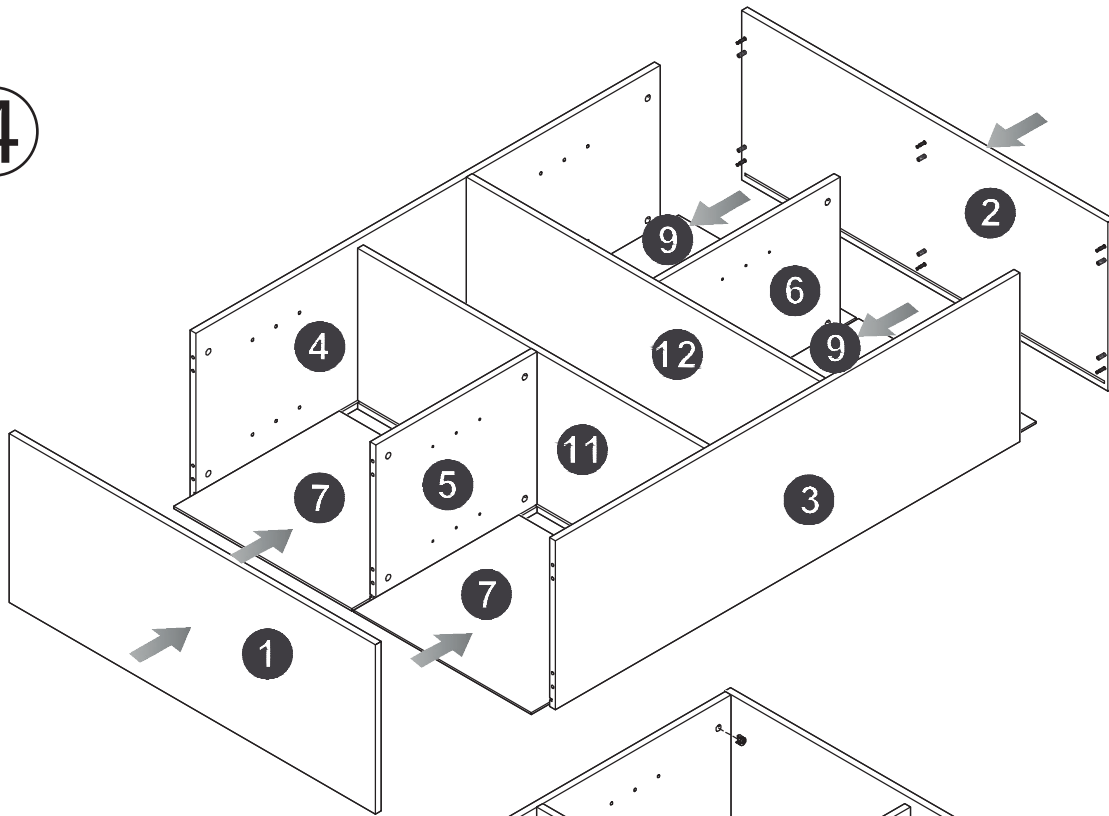


# BANAK

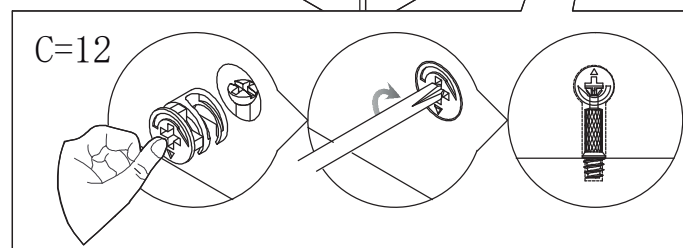
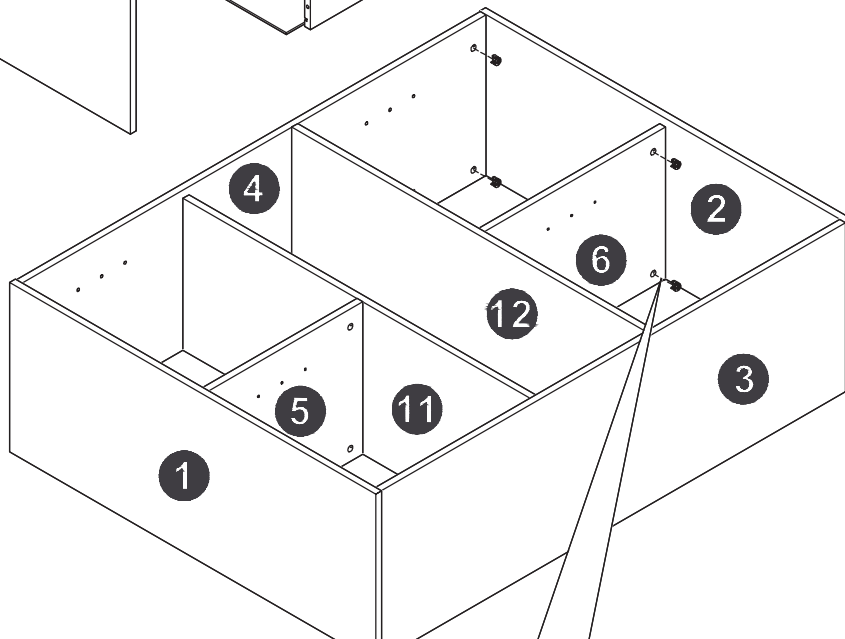
# SHIRO

SO-0117BC-R

④



⑤

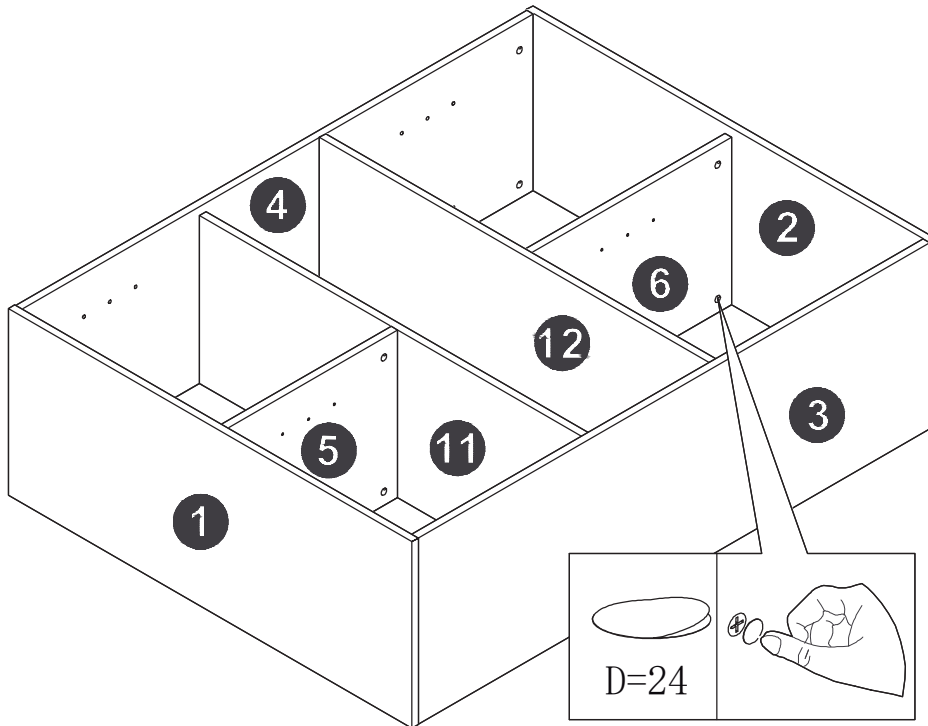


# BANAK

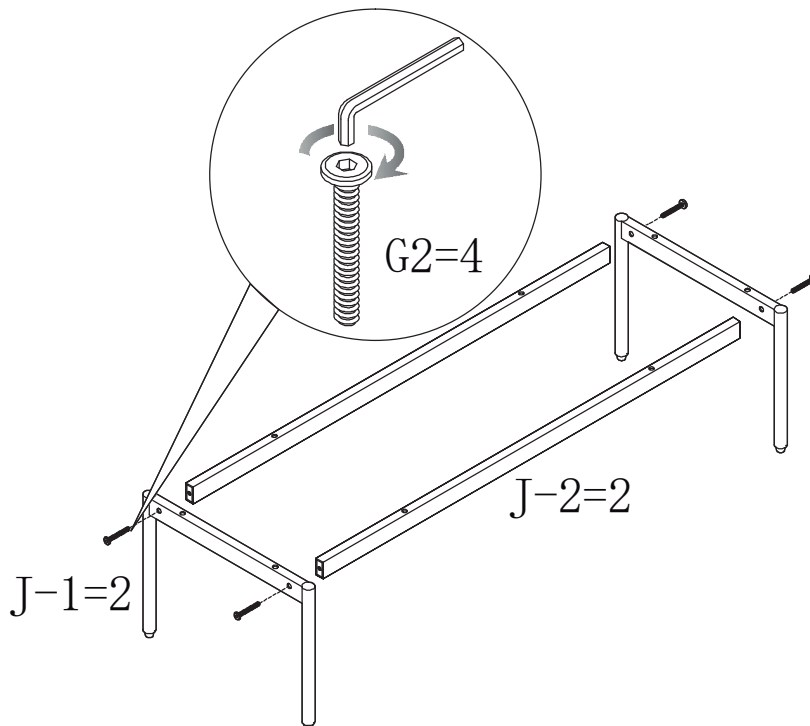
# SHIRO

SO-0117BC-R

6



7



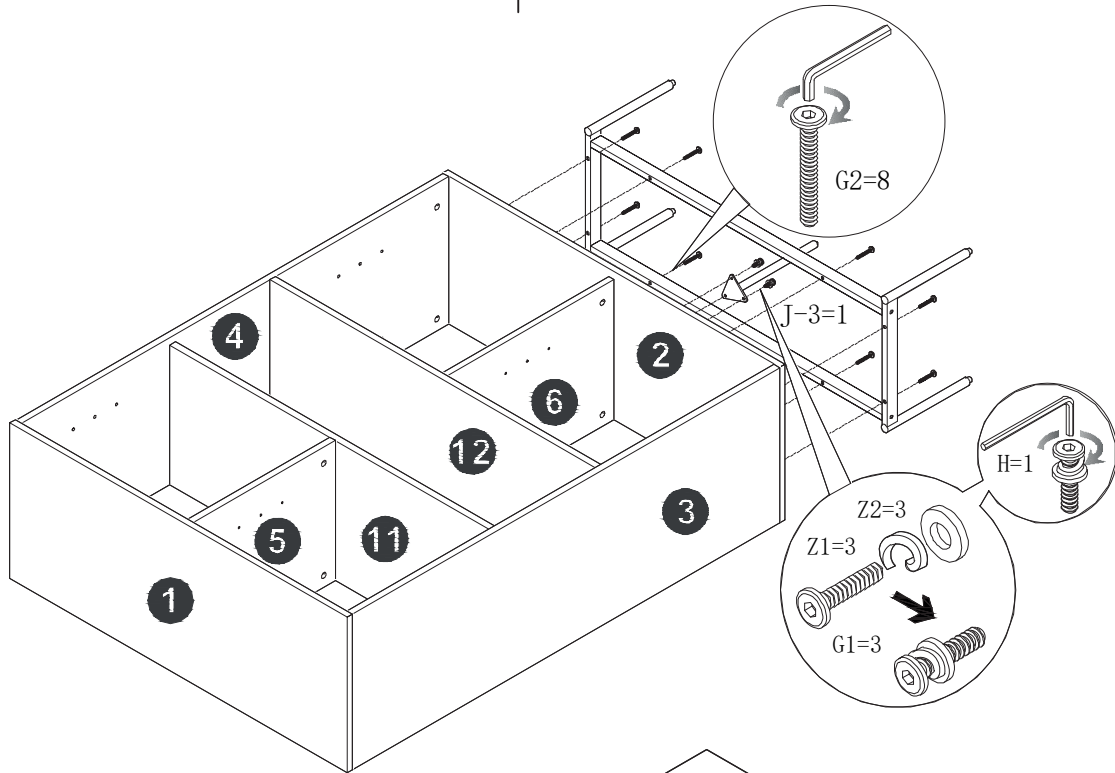


# BANAK

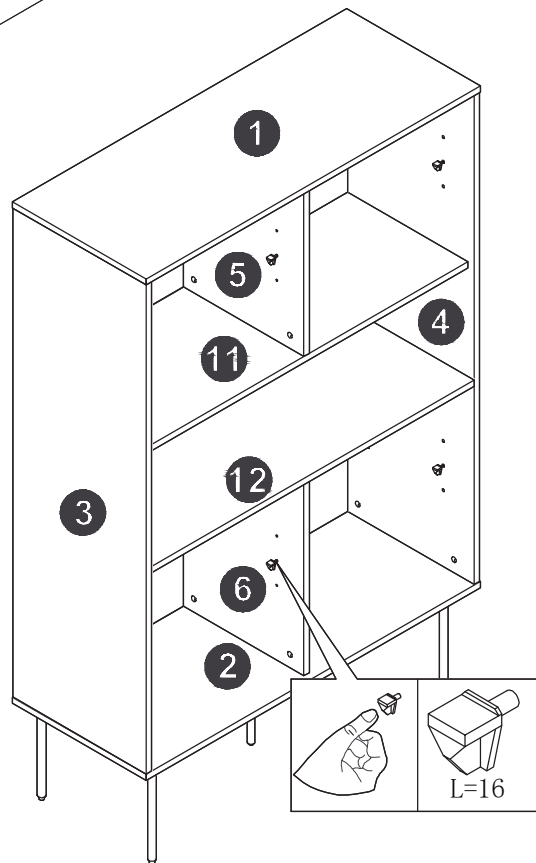
# SHIRO

SO-0117BC-R

8



9

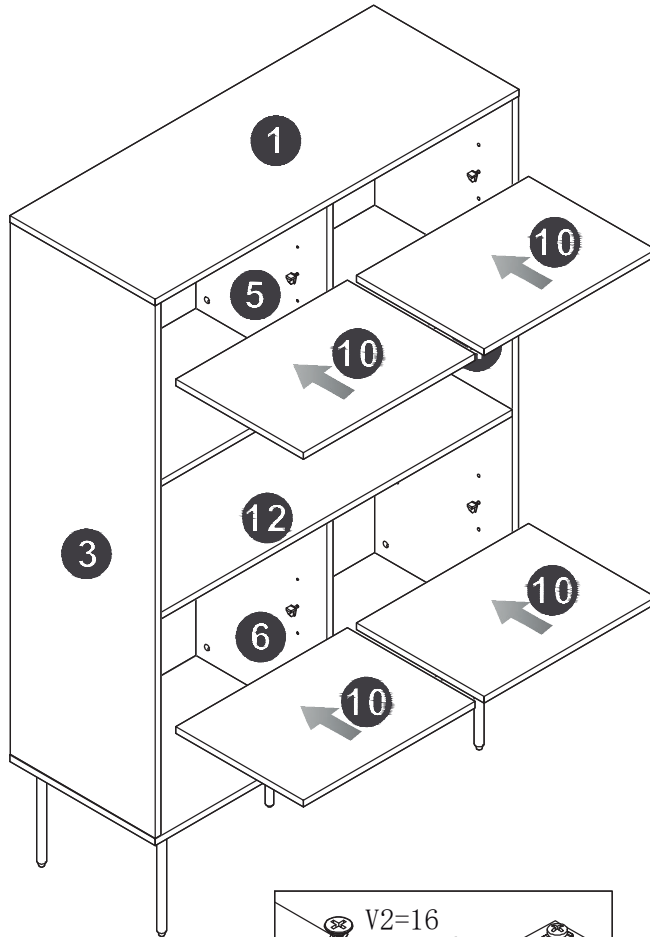


# BANAK

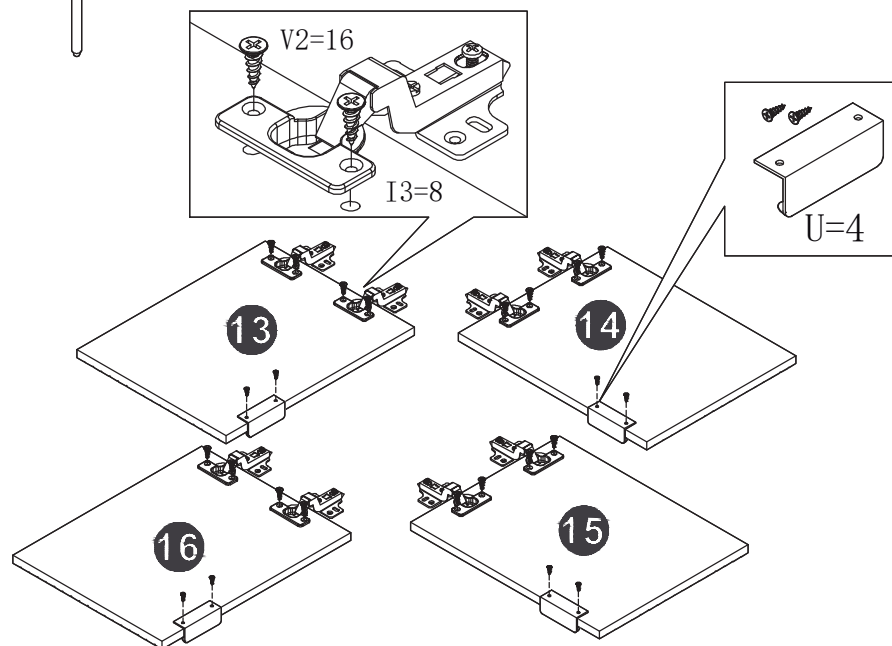
# SHIRO

SO-0117BC-R

10



11

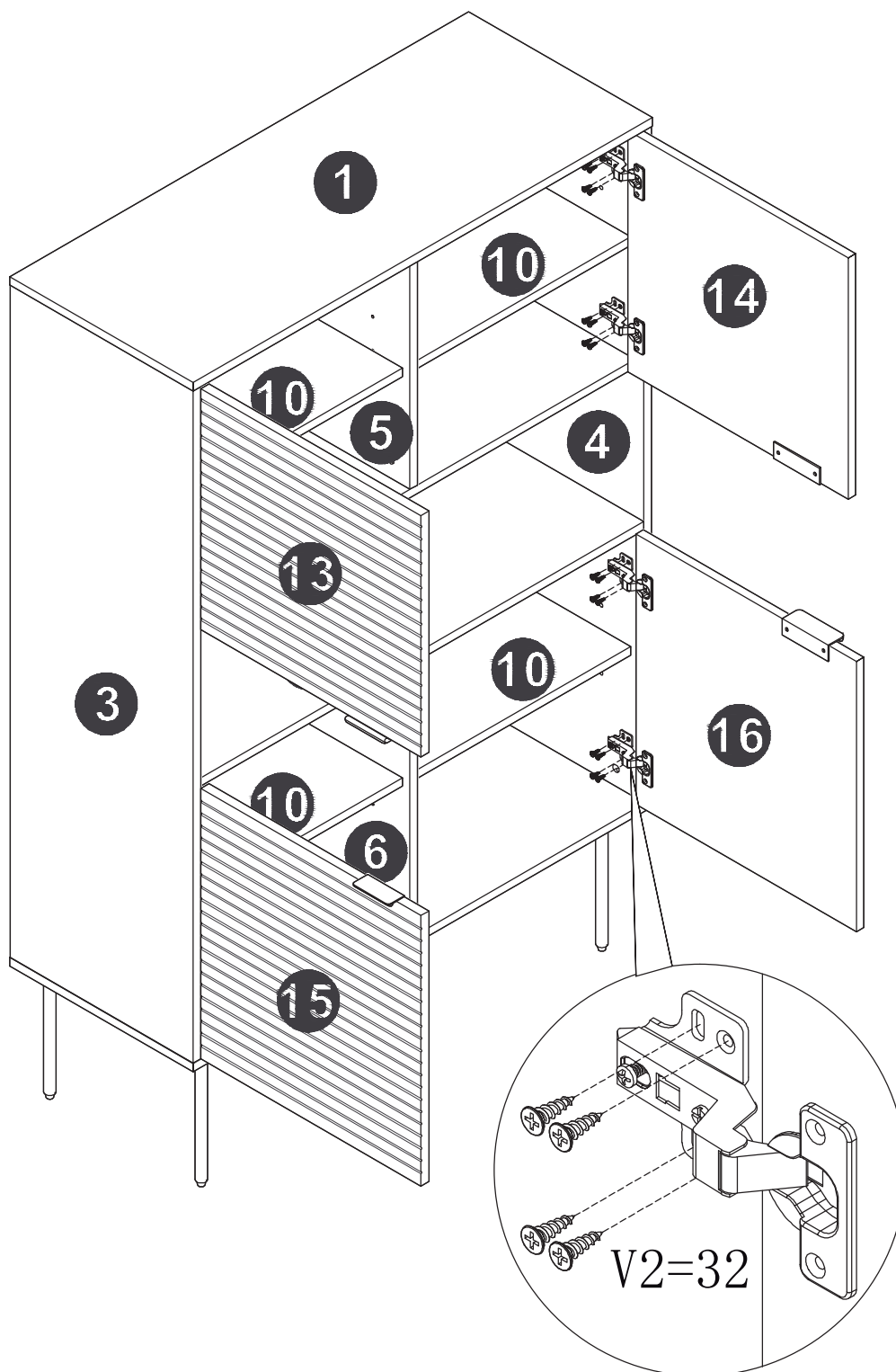


# BANAK

# SHIRO

SO-0117BC-R

12

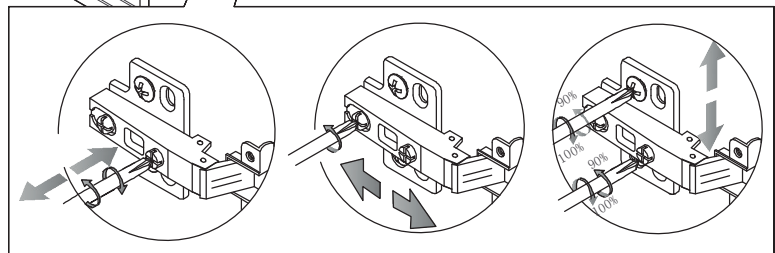
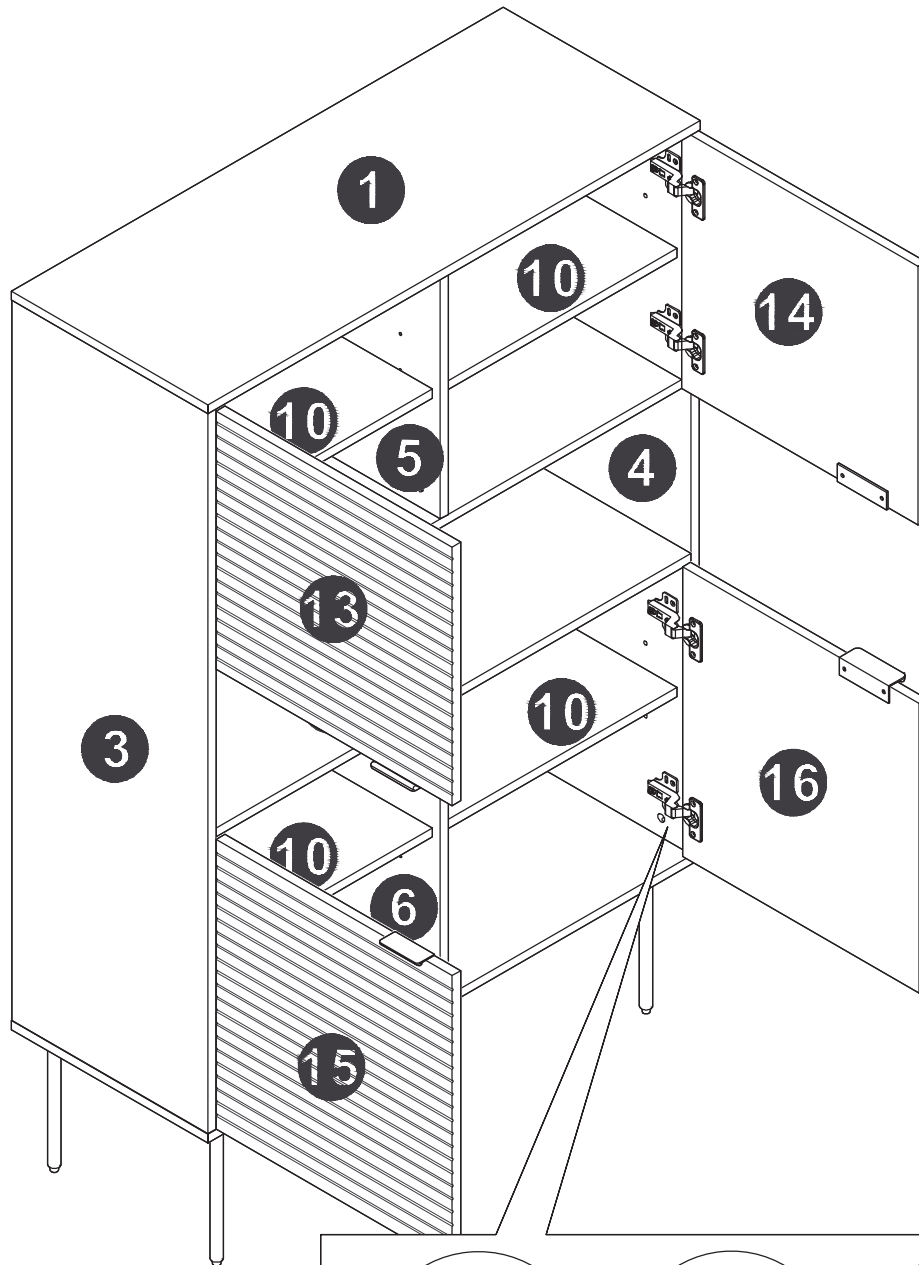


# BANAK

# SHIRO

SO-0117BC-R

13

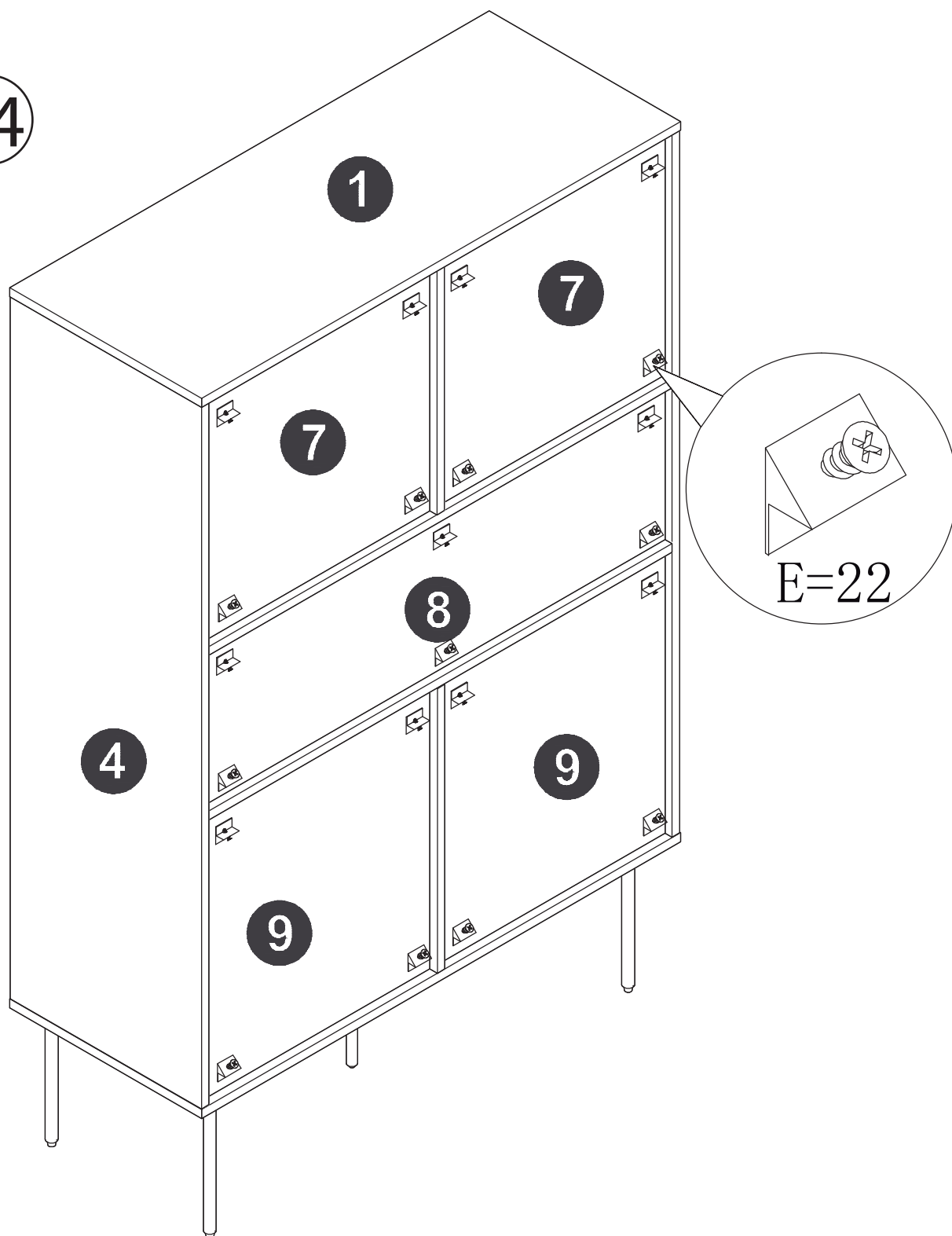


# BANAK

# SHIRO

SO-0117BC-R

14

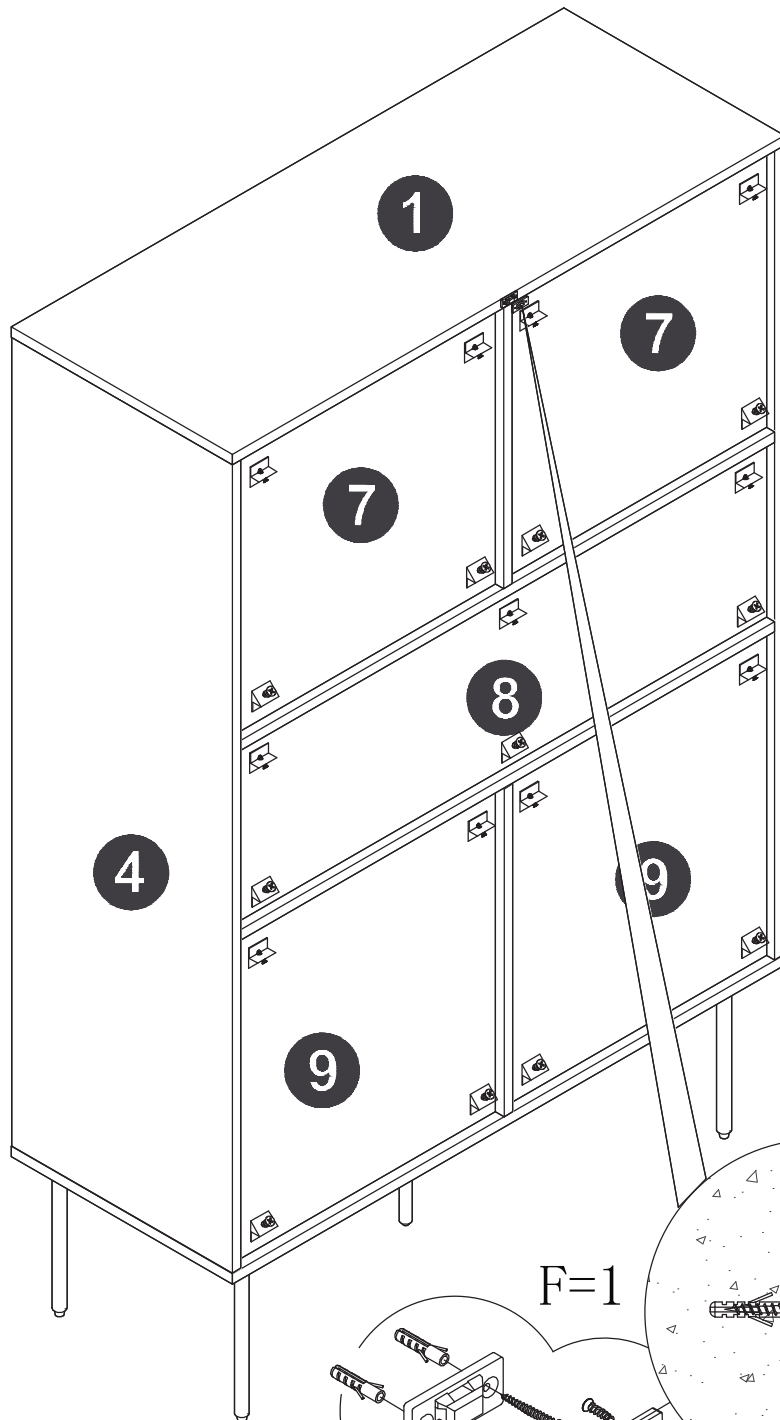


# BANAK

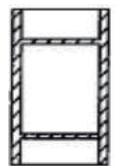
# SHIRO

SO-0117BC-R

15



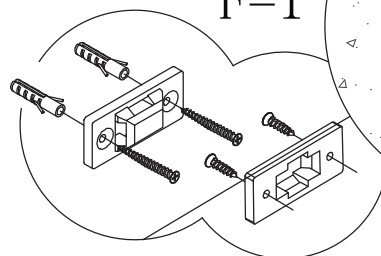
X



X



✓



F=1

