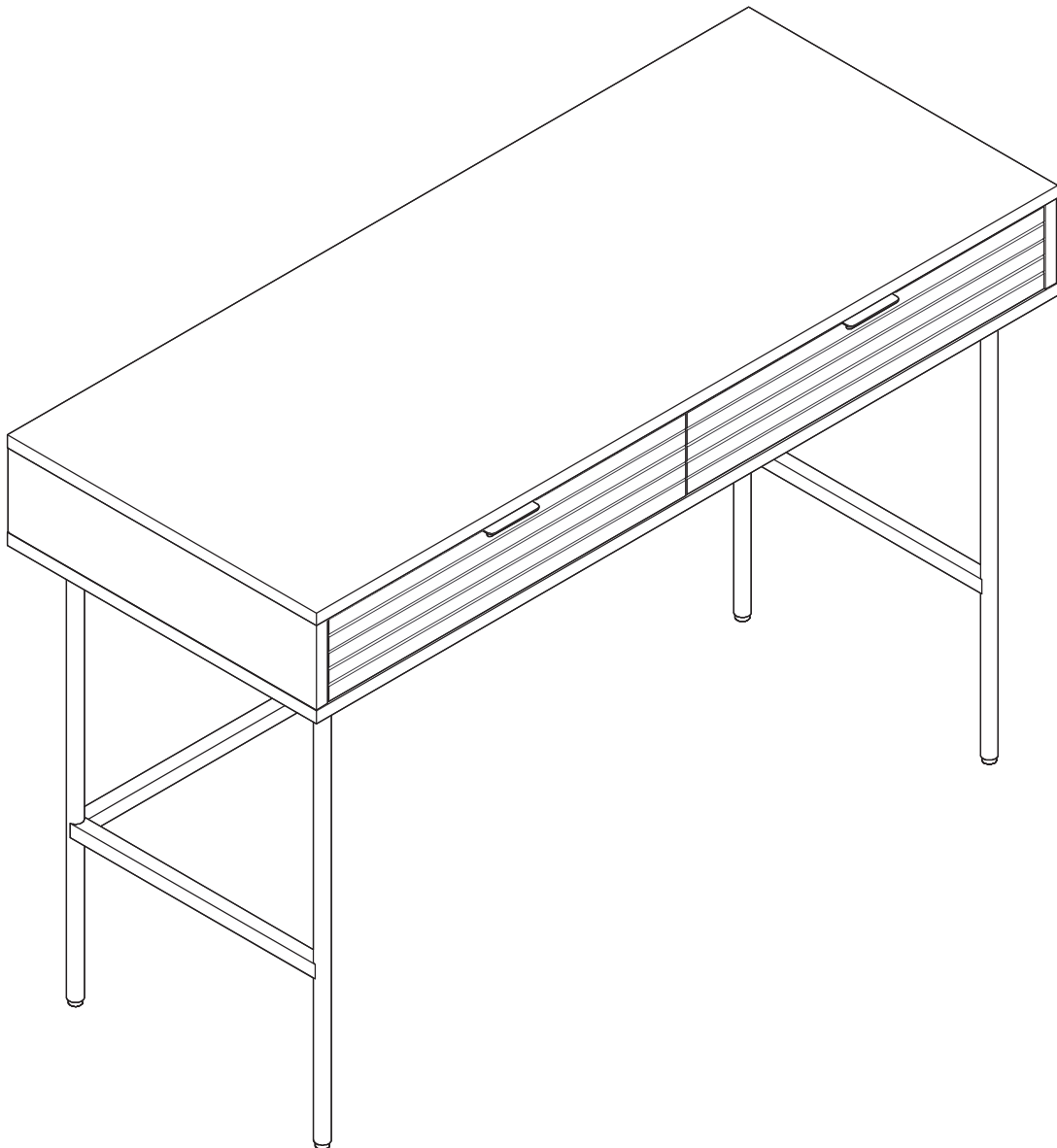


BANAK

SHIRO

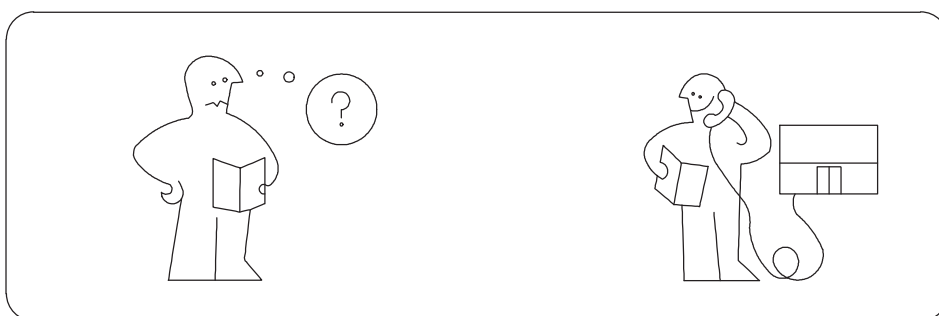
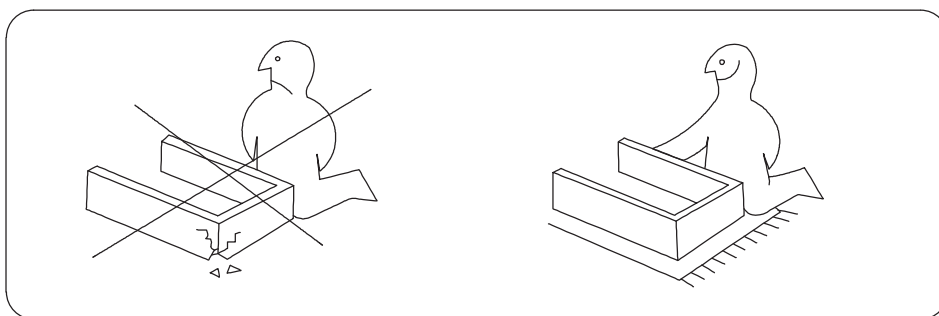
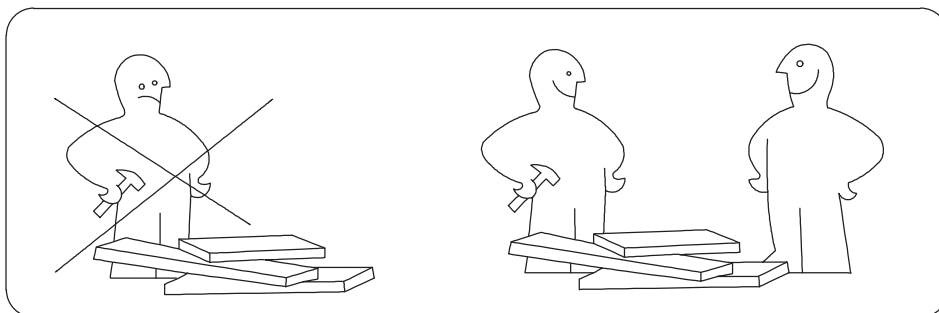
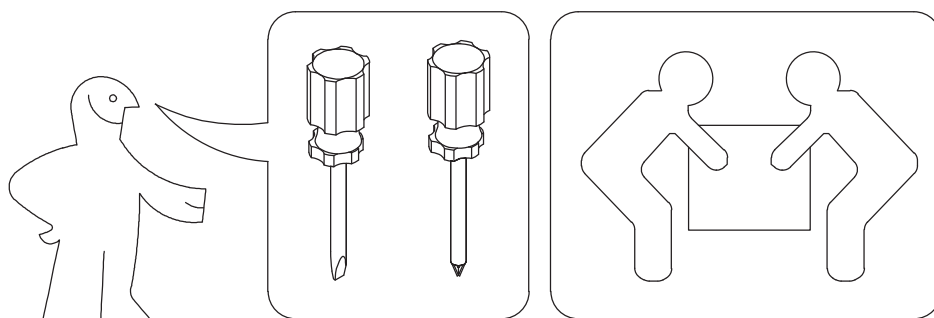
SO-0118BC-R



BANAK

SHIRO

SO-0118BC-R



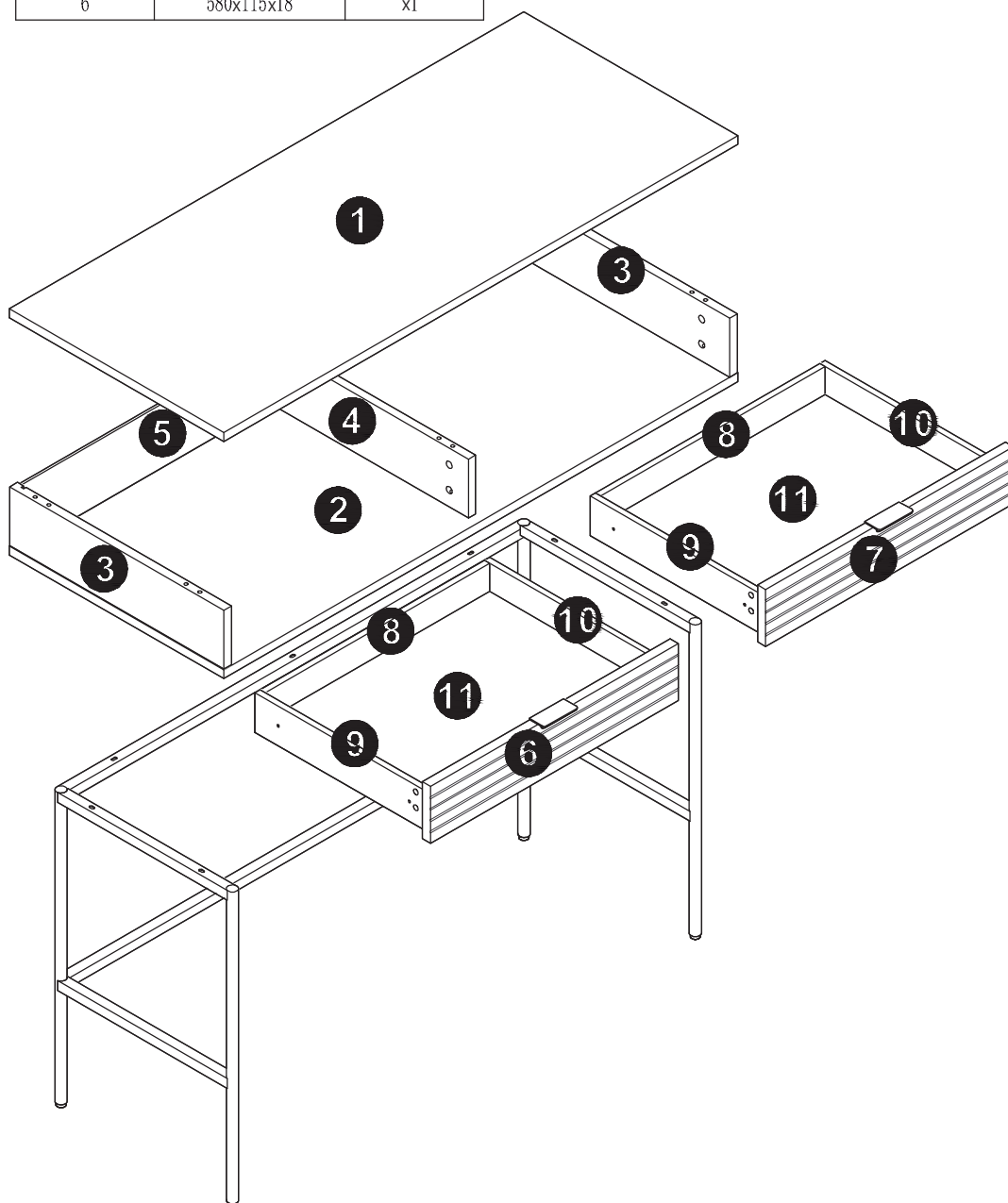
BANAK

SHIRO

SO-0118BC-R

1	1200x500x16	x1
2	1200x500x16	x1
3	119x499x16	x2
4	119x460x16	x1
5	129x1176x5	x1
6	580x115x18	x1

7	580x115x18	x1
8	525x80x12	x2
9	400x80x12	x2
10	400x80x12	x2
11	535x398x5	x2



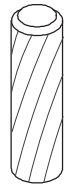
BANAK

SHIRO

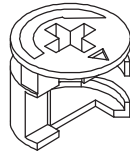
SO-0118BC-R



A=12



B=12



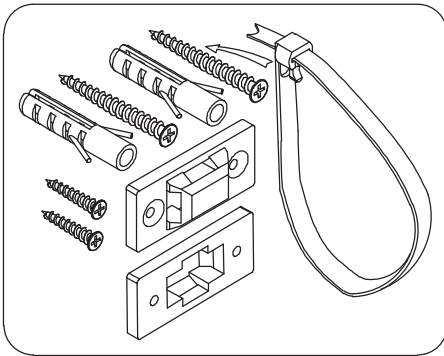
C=12



D=28



E=6

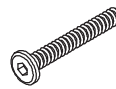


F=1



M6*16

G1=8

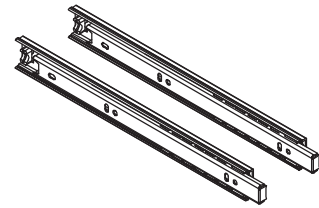


M6*30

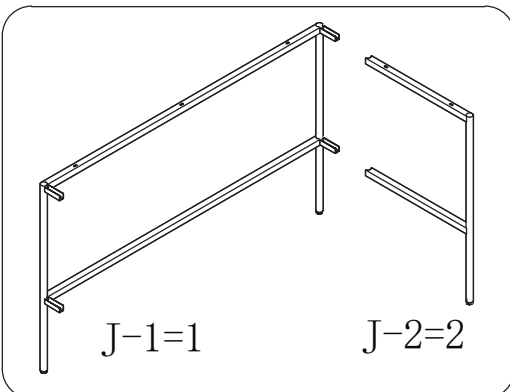
G2=7



H=1



N=2



J-1=1

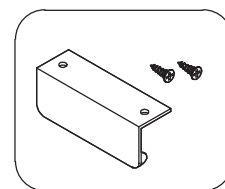
J-2=2



O=16



P=16



U=2



M3.5*12

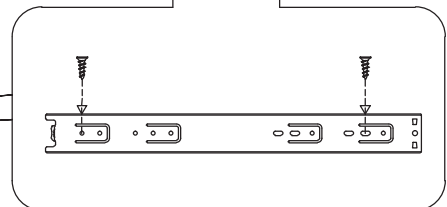
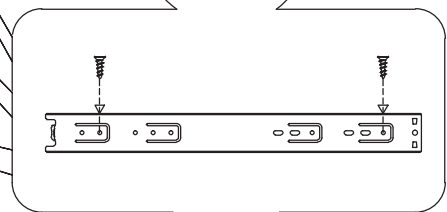
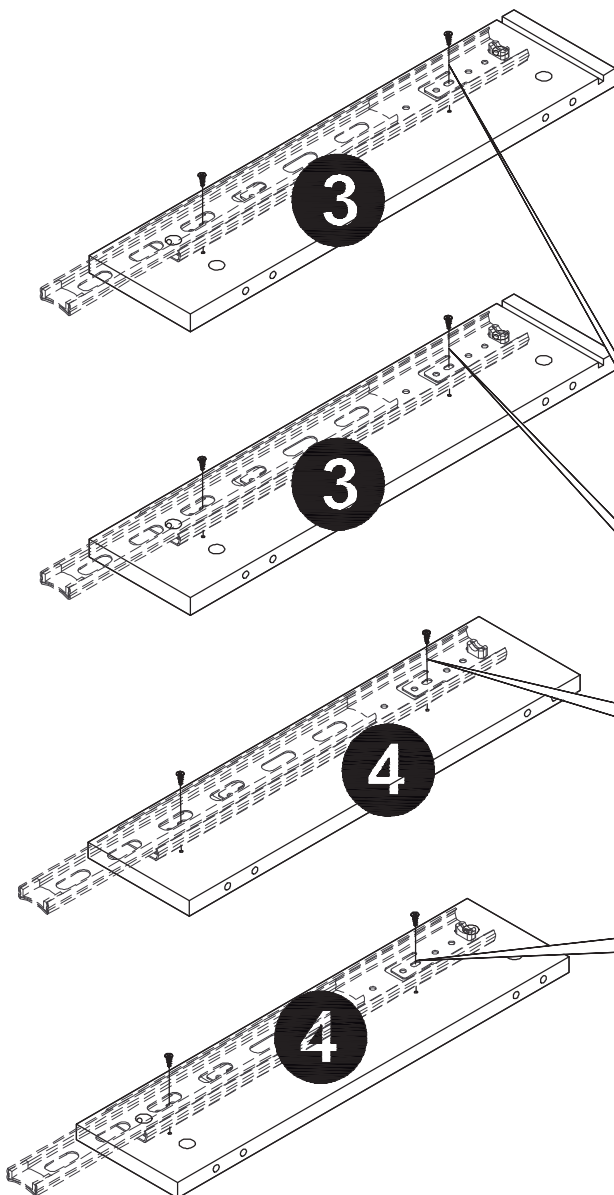
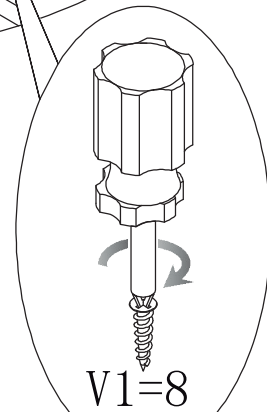
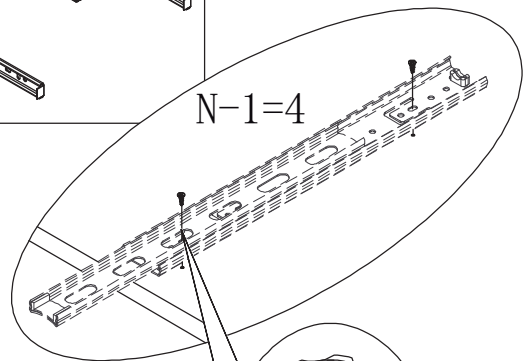
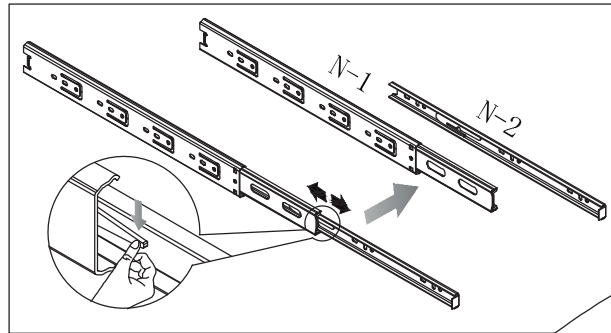
V1=16

BANAK

SHIRO

SO-0118BC-R

1

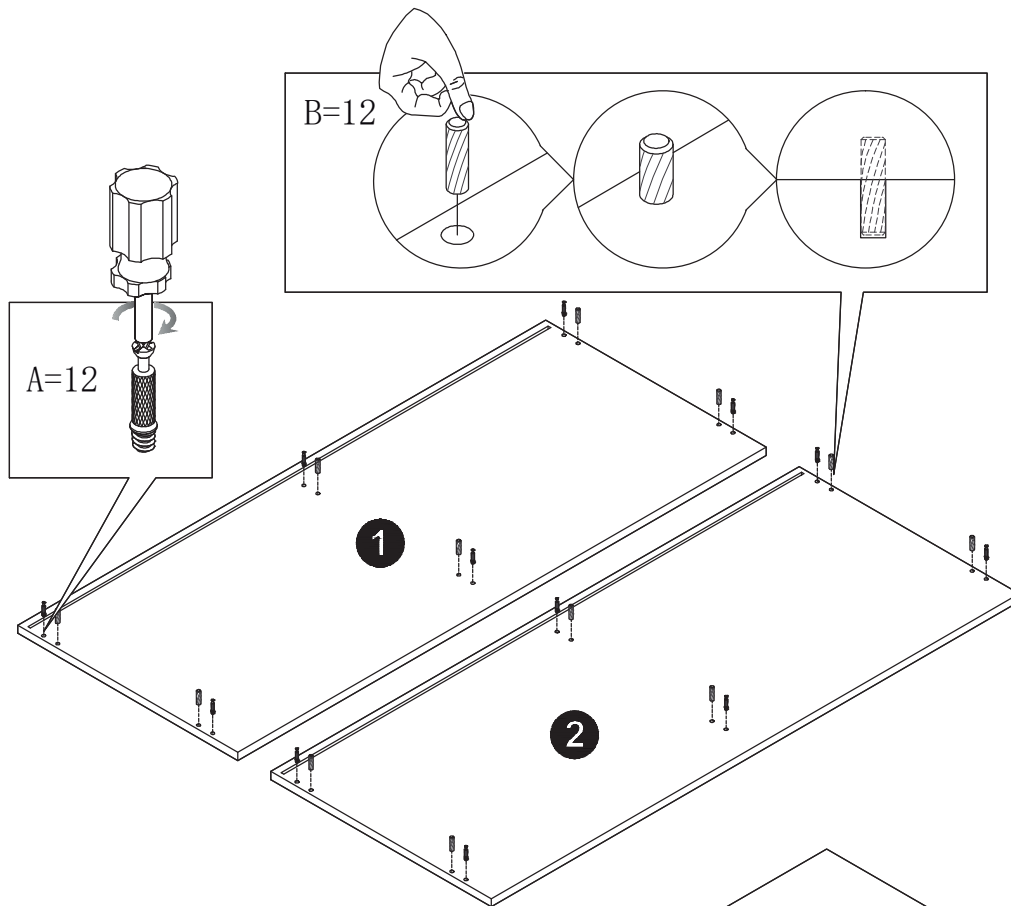


BANAK

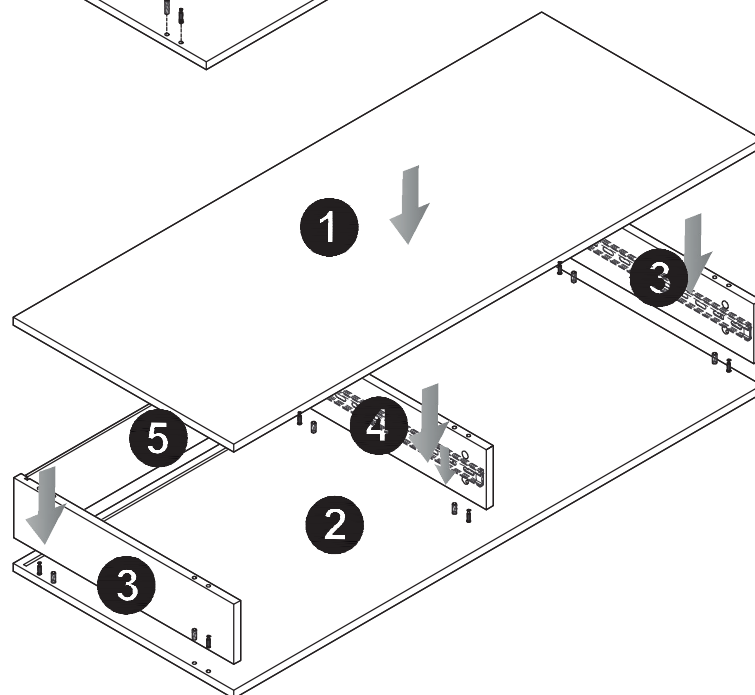
SHIRO

SO-0118BC-R

②



③

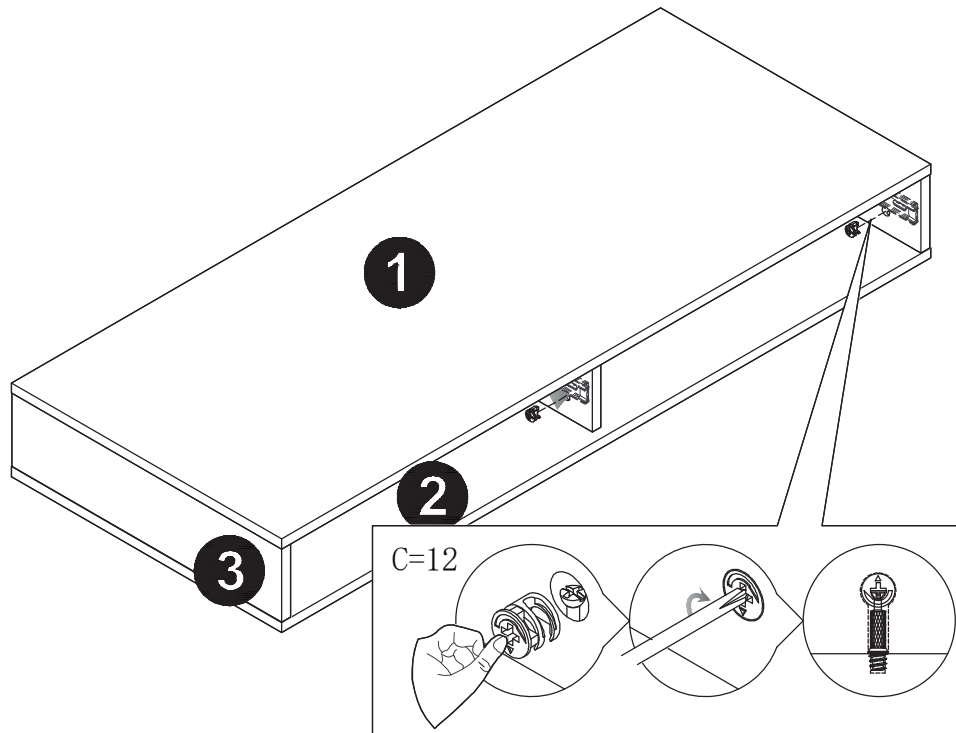


BANAK

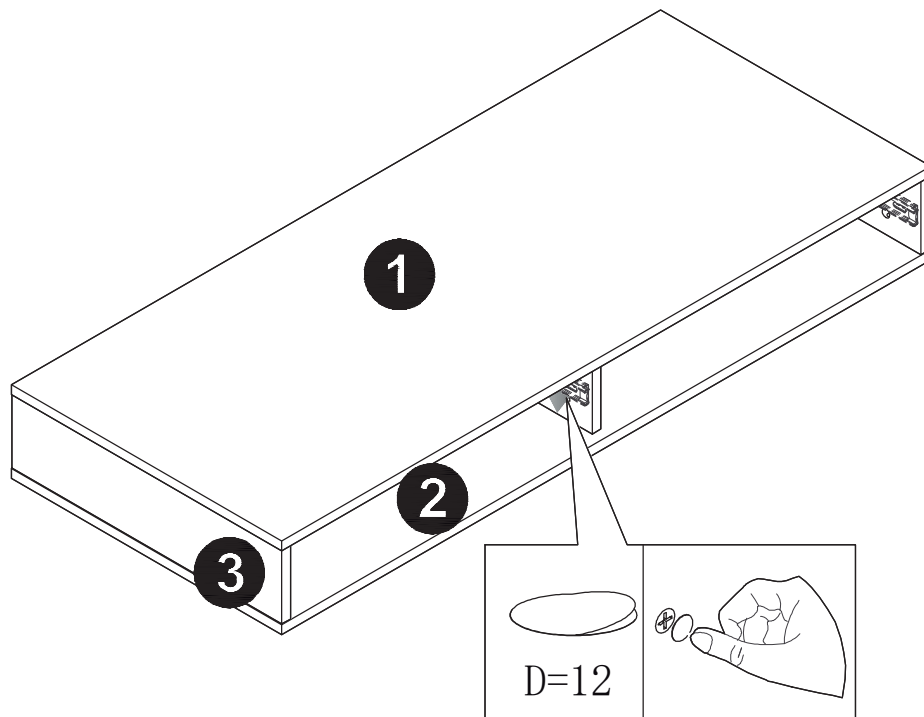
SHIRO

SO-0118BC-R

④



⑤

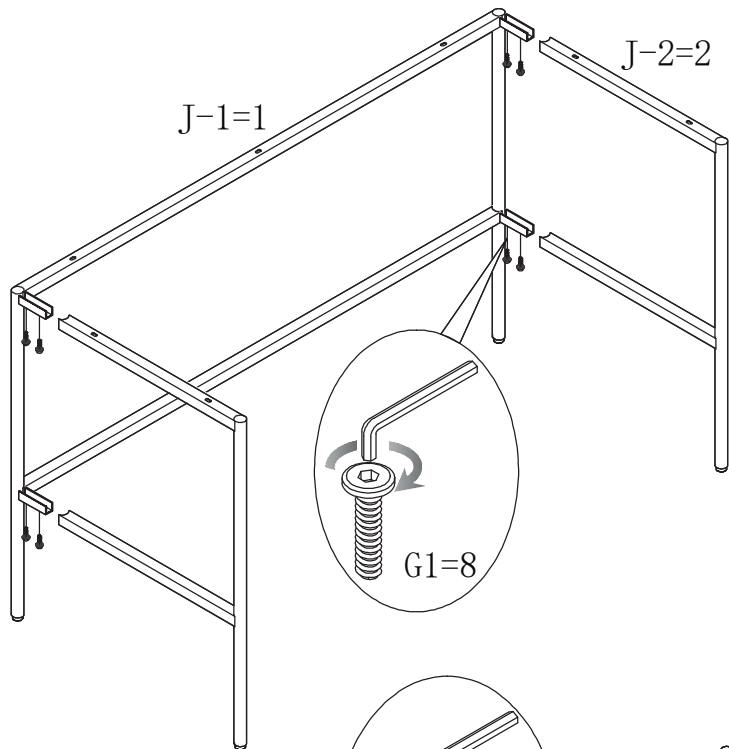


BANAK

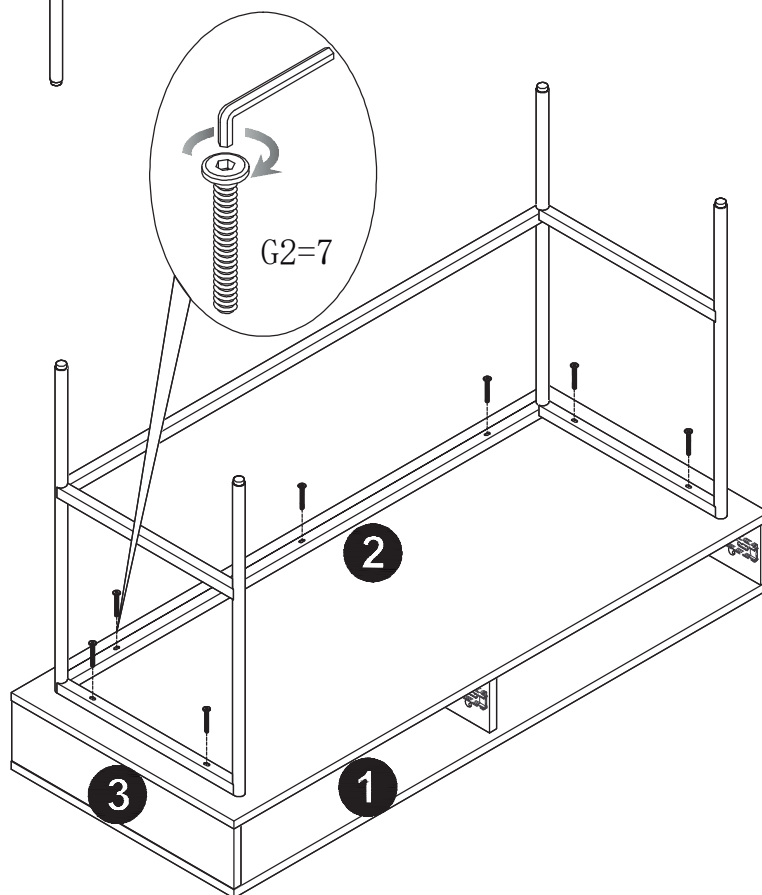
SHIRO

SO-0118BC-R

6



7



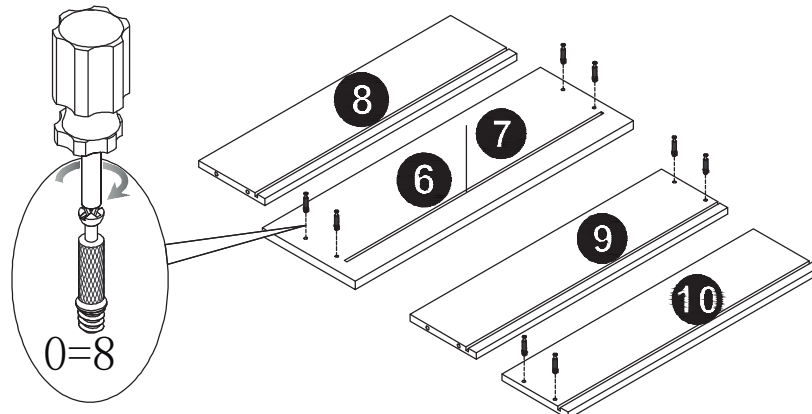
BANAK

SHIRO

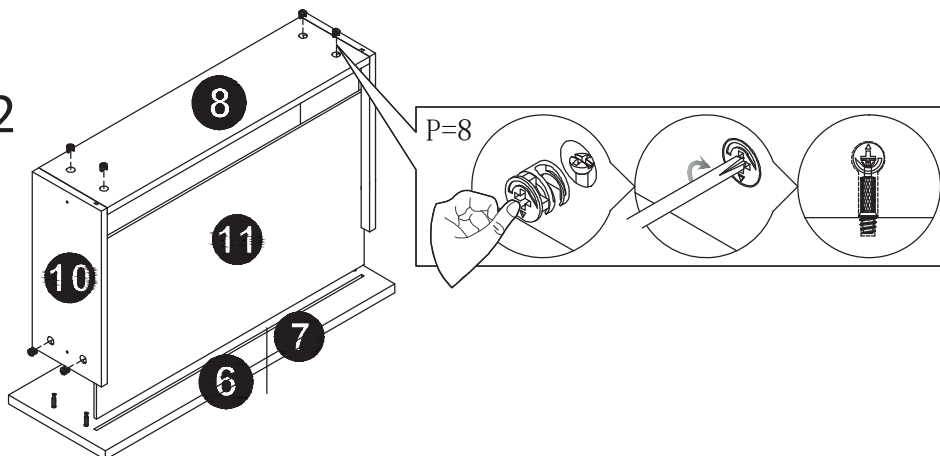
SO-0118BC-R

8

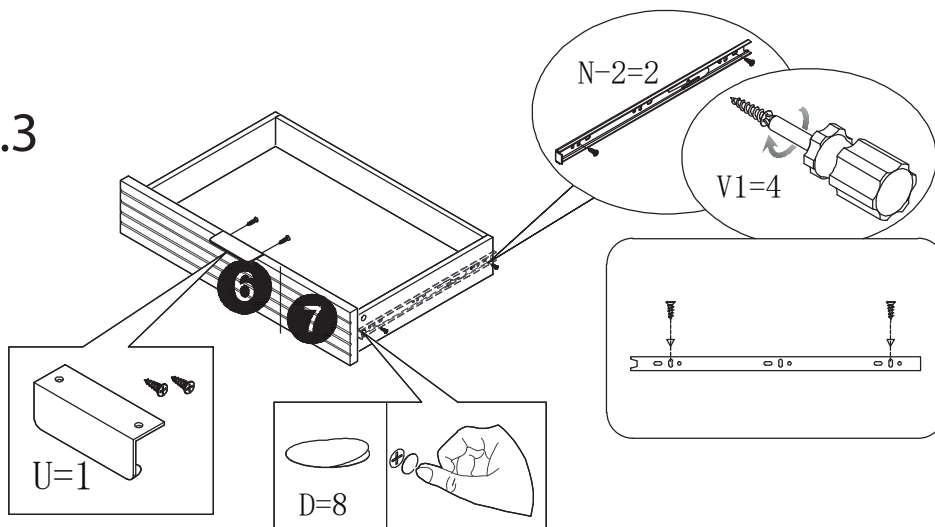
8.1



8.2



8.3



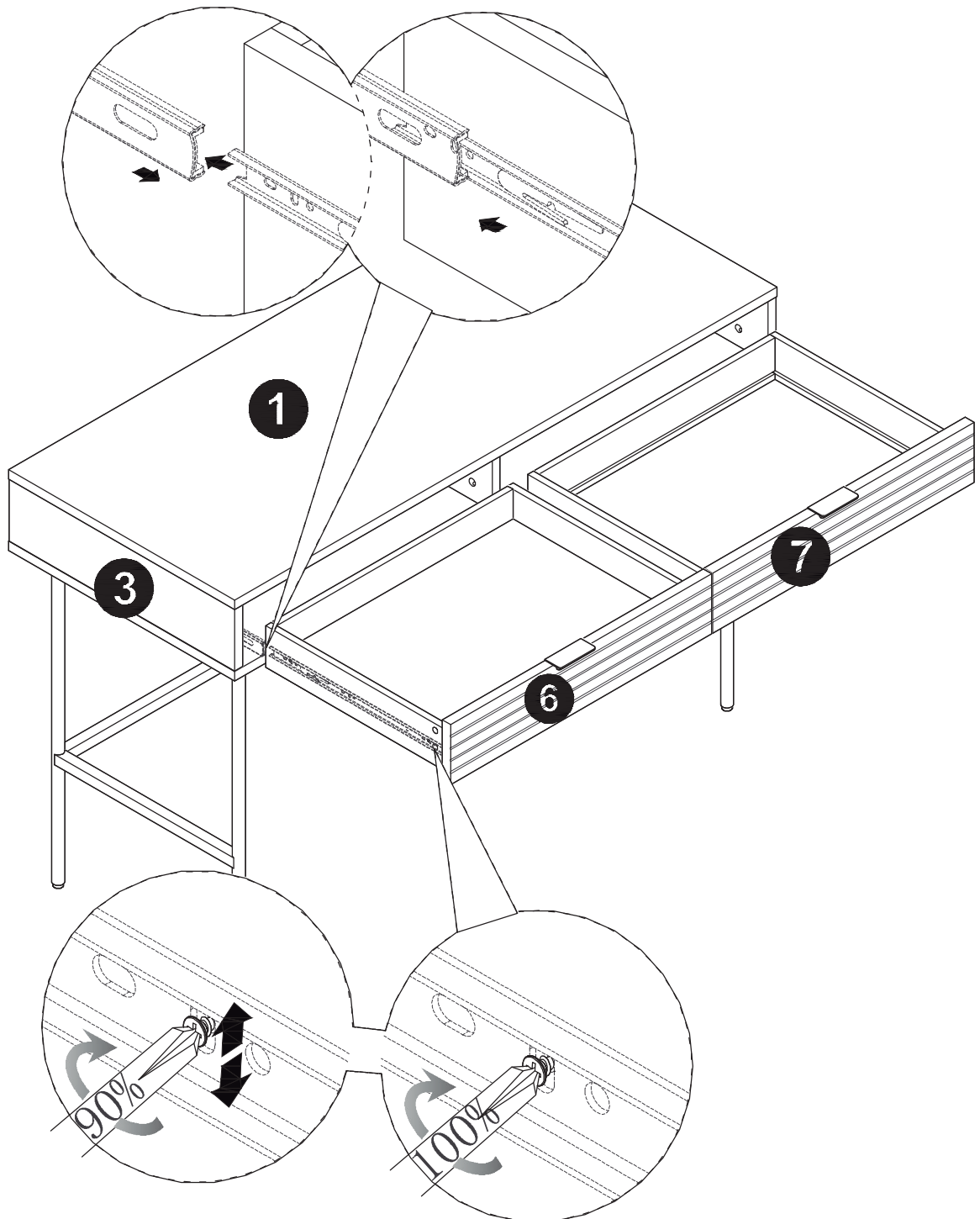
X2

BANAK

SHIRO

SO-0118BC-R

9

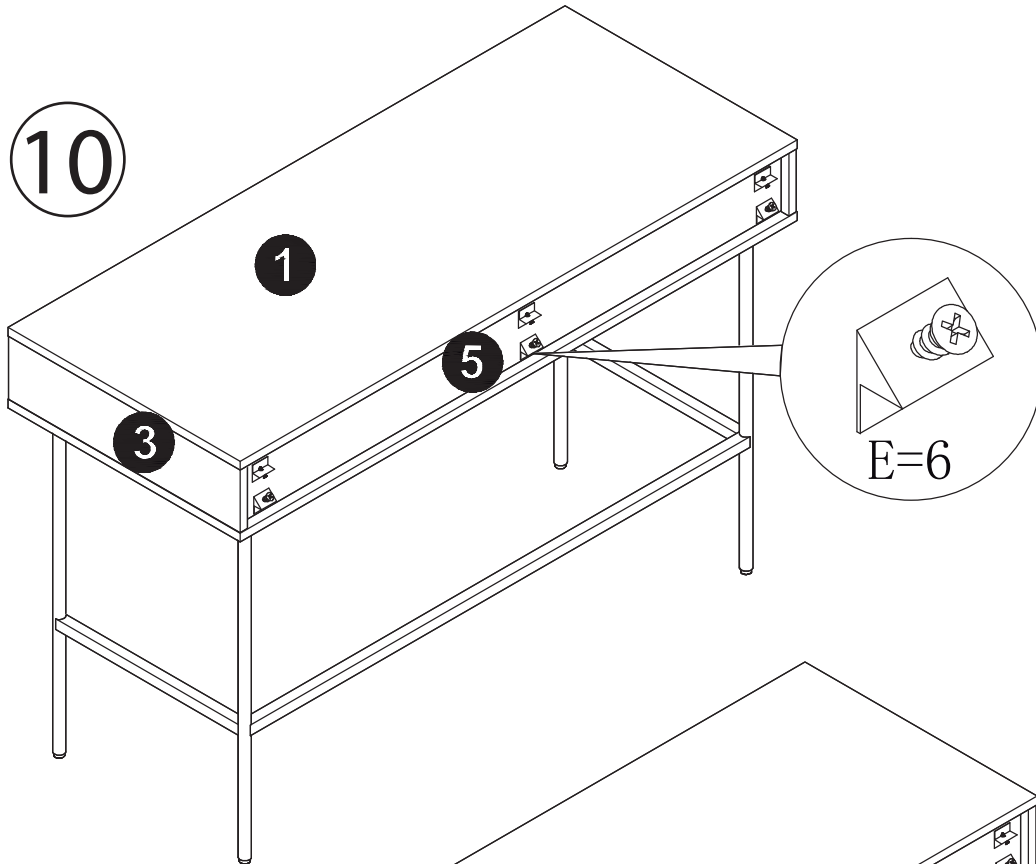


BANAK

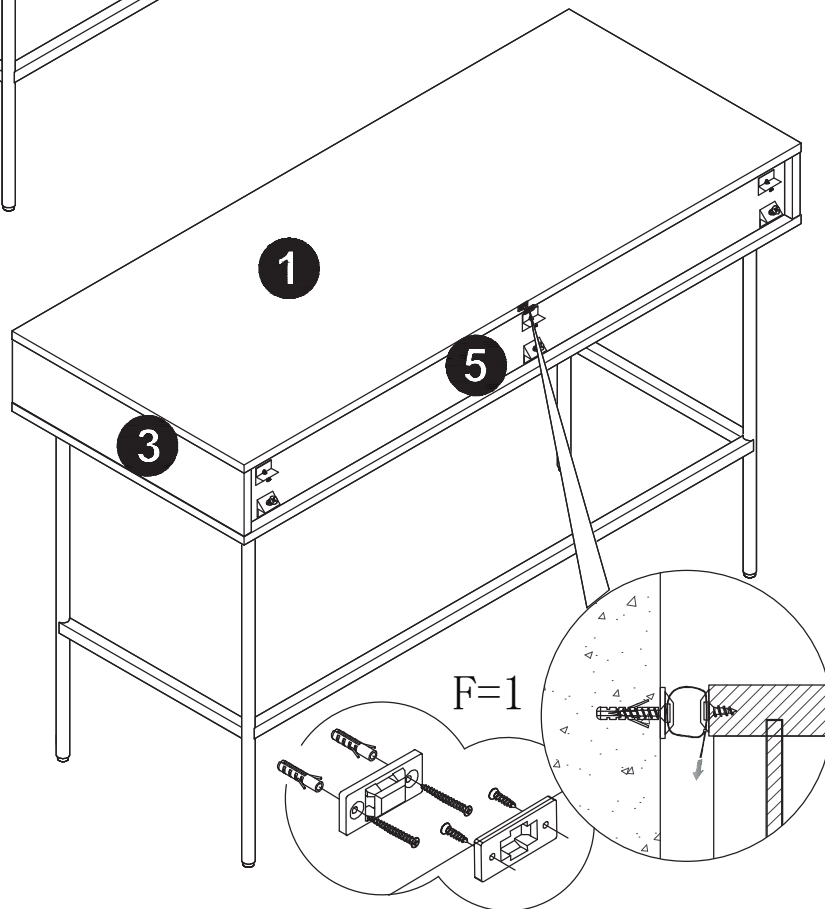
SHIRO

SO-0118BC-R

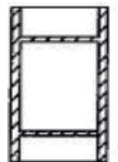
10



11



X



X



✓