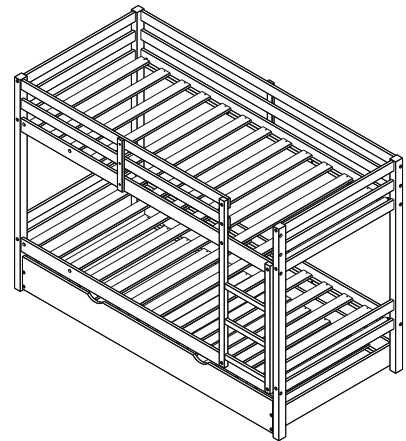
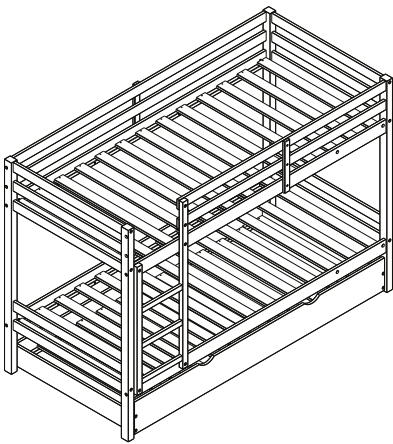
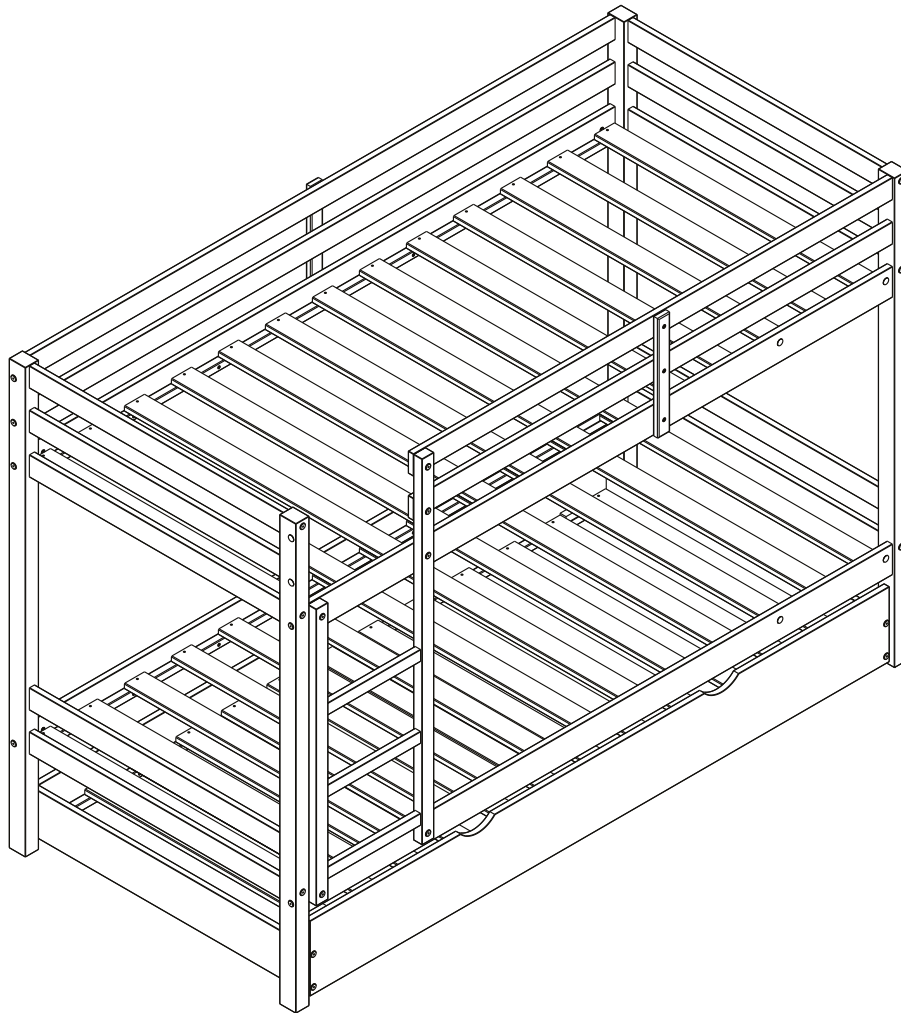


BANAK

KIVU

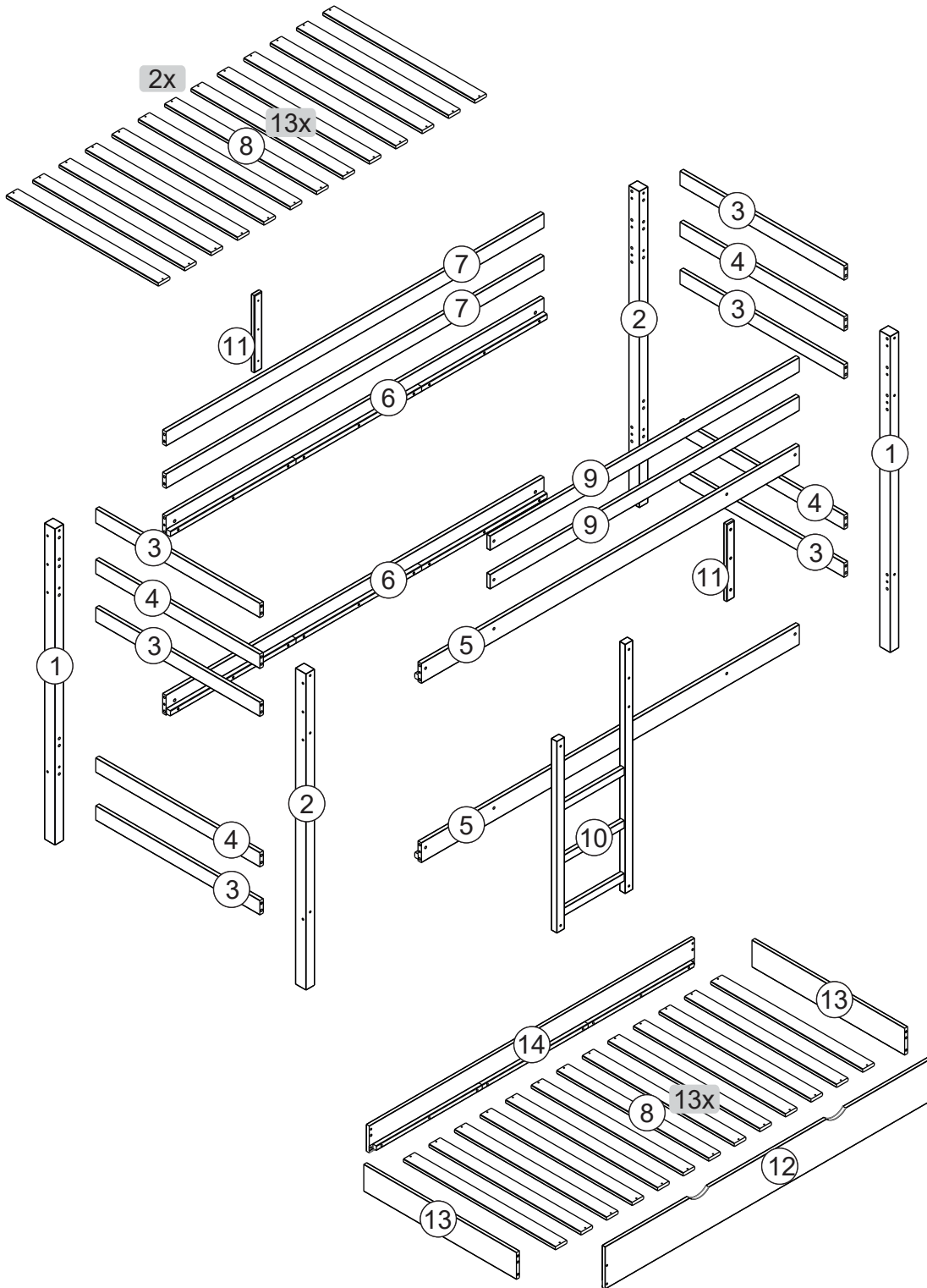
SV-0005BC



BANAK

KIVU

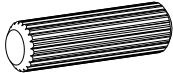
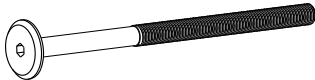

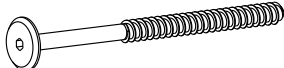
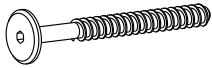




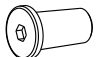
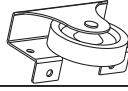

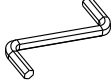
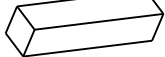

SV-0005BC



BANAK

KIVU

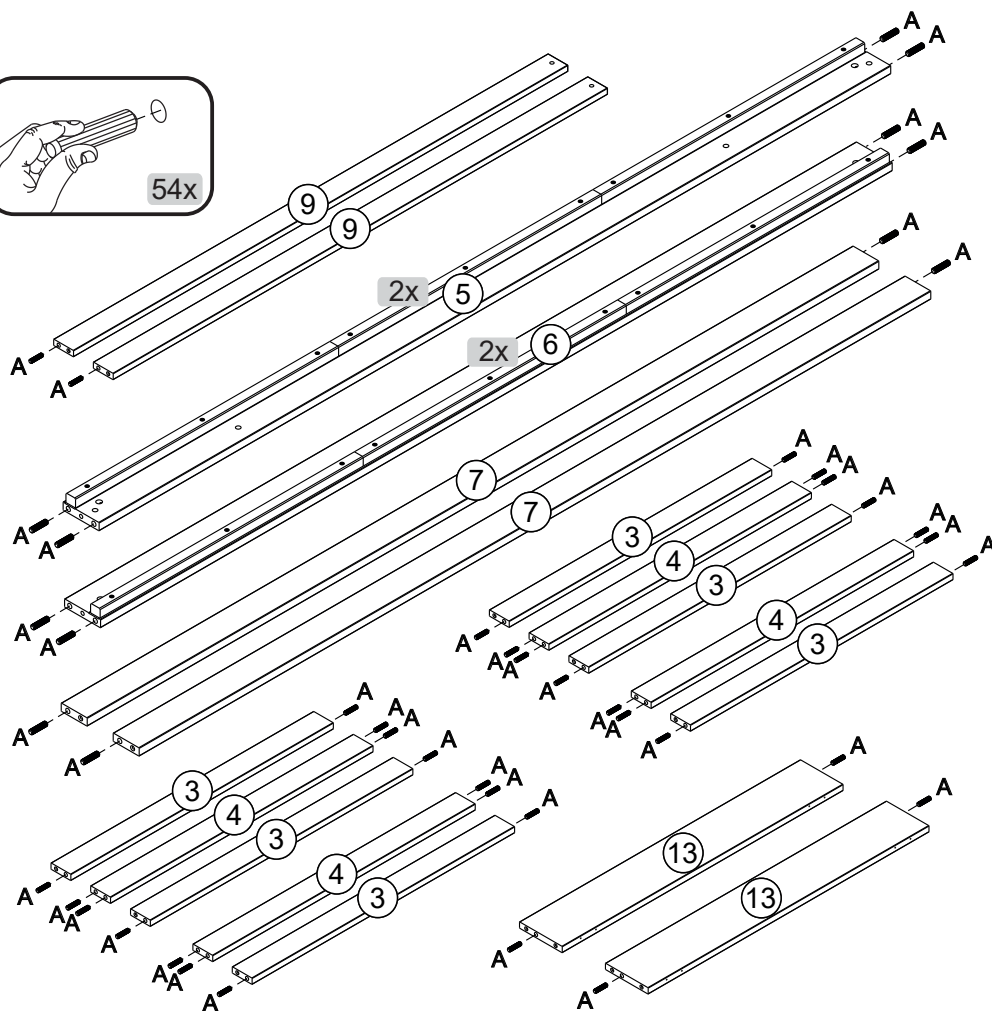
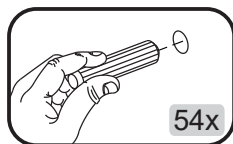
SV-0005BC

Ref.		Qty.
A	 $\text{Ø}10 \times 40$	54
B	 $\text{Ø}1/4" \times 100$	08
C	 $\text{Ø}1/4" \times 40$	06
D	 $\text{Ø}7 \times 90$	18
E	 $\text{Ø}7 \times 60$	08
F	 $\text{Ø}4,5 \times 30$	06
G	 $\text{Ø}4,0 \times 30$	78
H	 $\text{Ø}3,5 \times 16$	16
I	 08	08
J	 06	06
K	 04	04
L	 10	10
M	 02	02
N	 89 mm	02
O	 84 mm	02

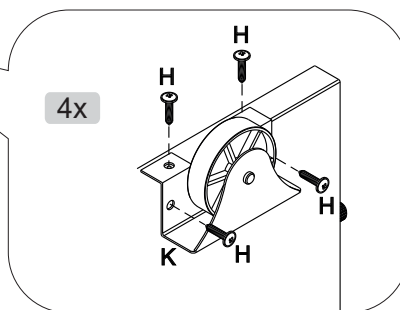
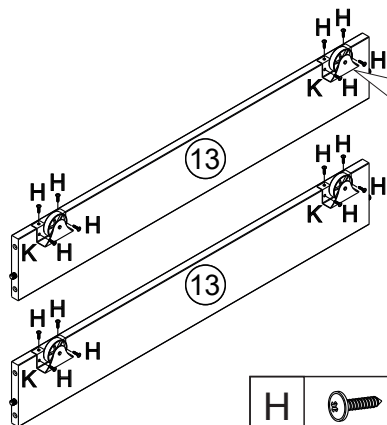
BANAK

KIVU

SV-0005BC



A		Ø10 x 40	54
---	--	----------	----

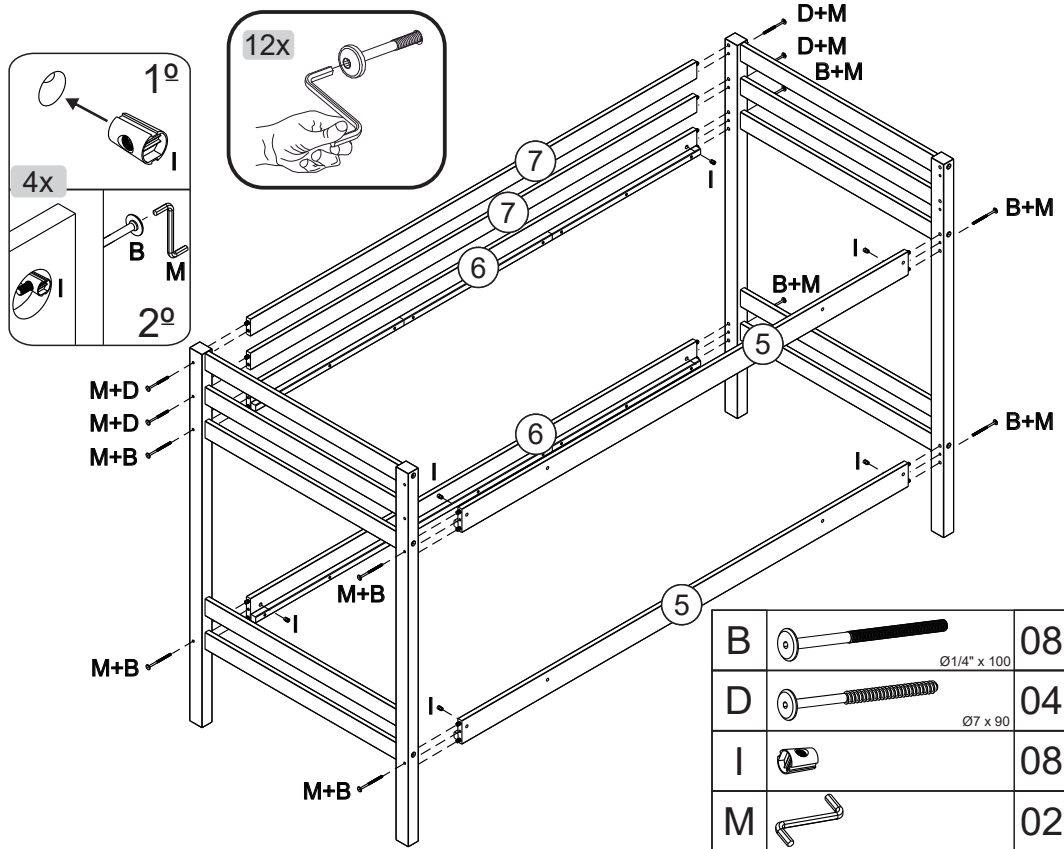
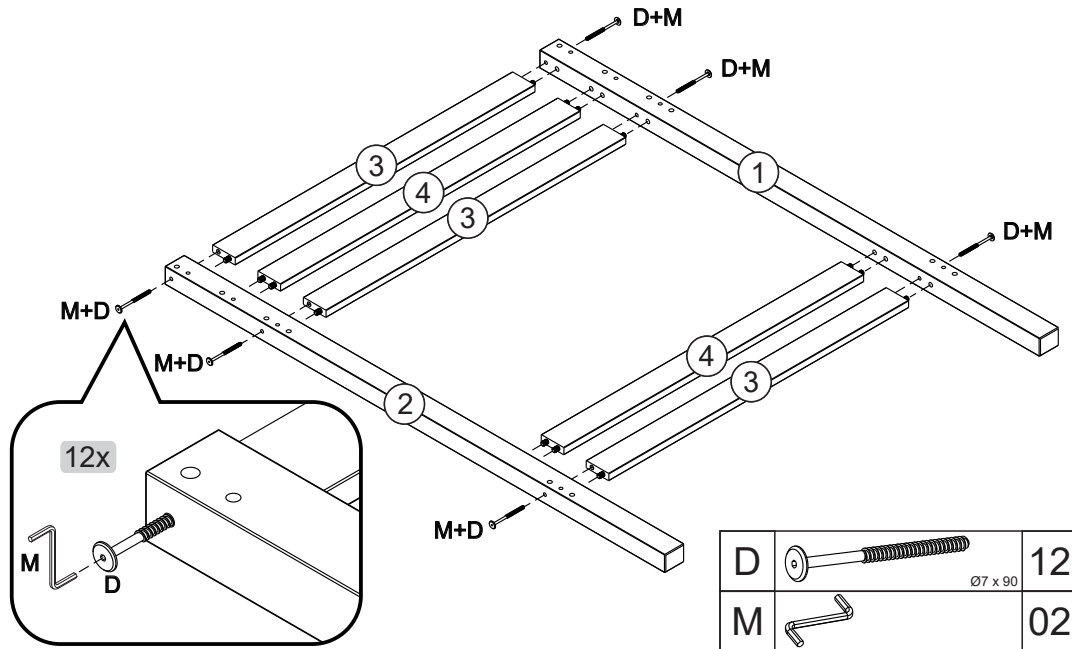


H		Ø3,5 x 16	16	K		04
---	--	-----------	----	---	--	----

BANAK

KIVU

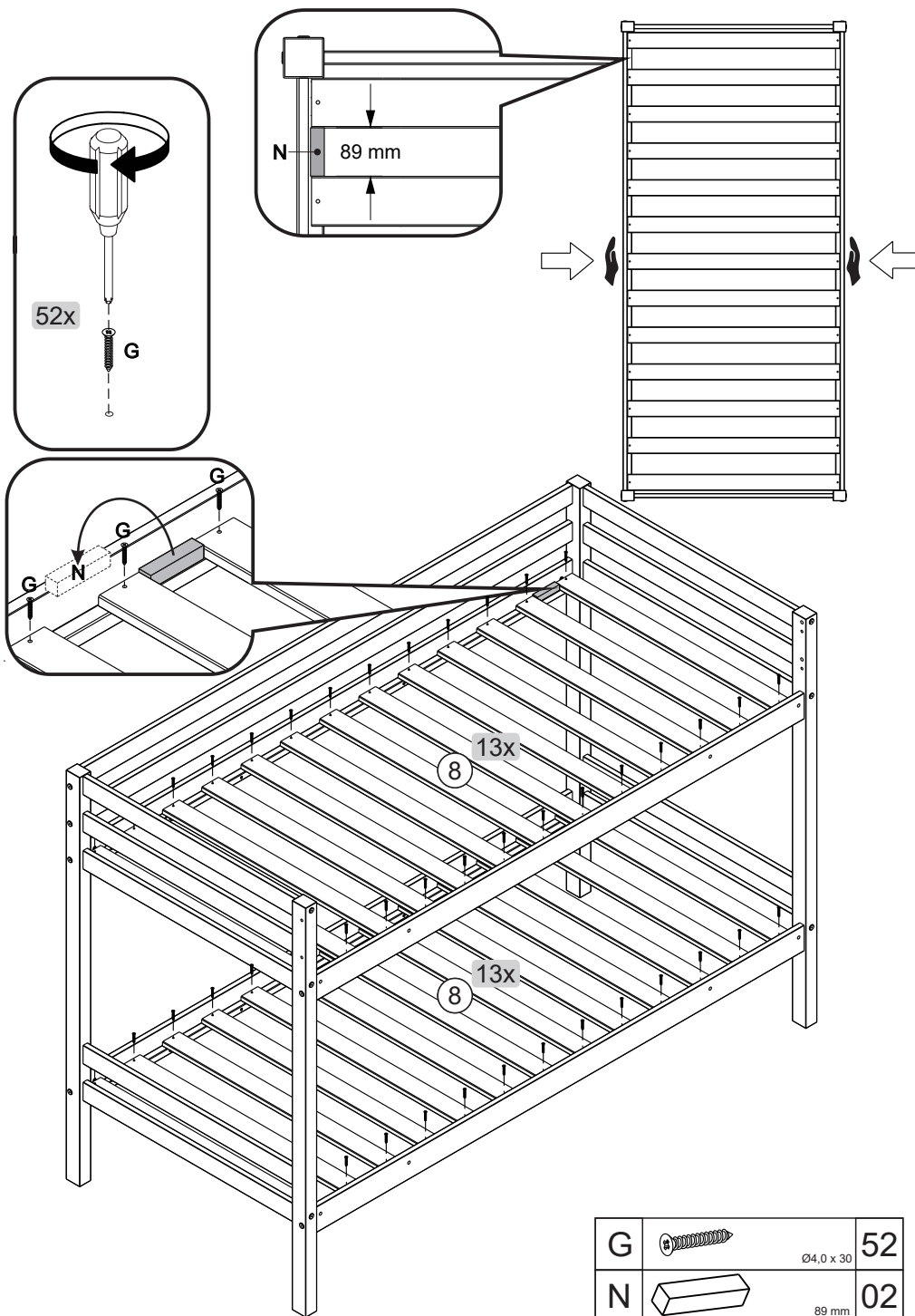
SV-0005BC



BANAK

KIVU

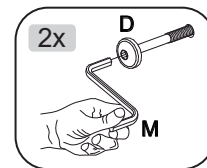
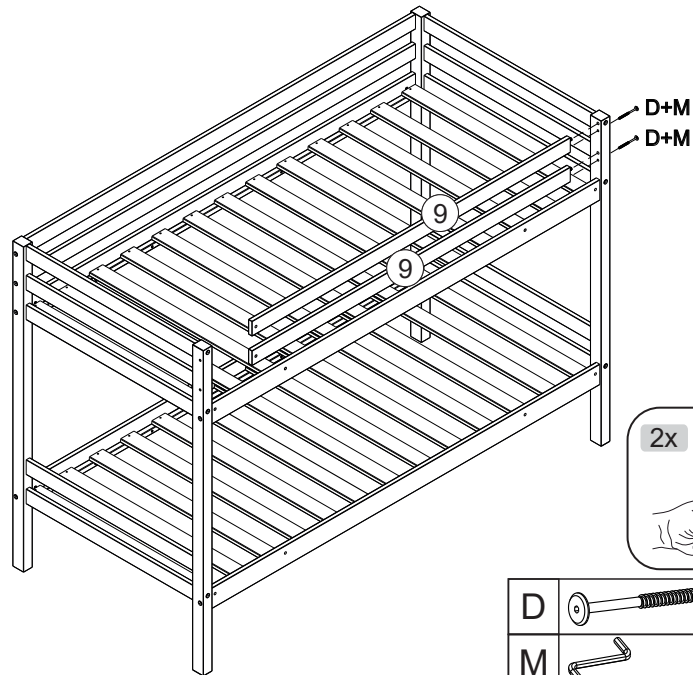
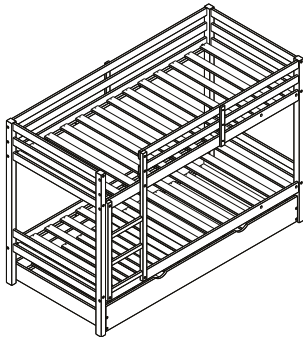
SV-0005BC





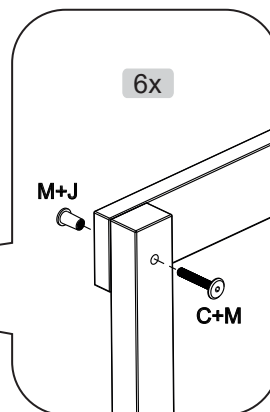
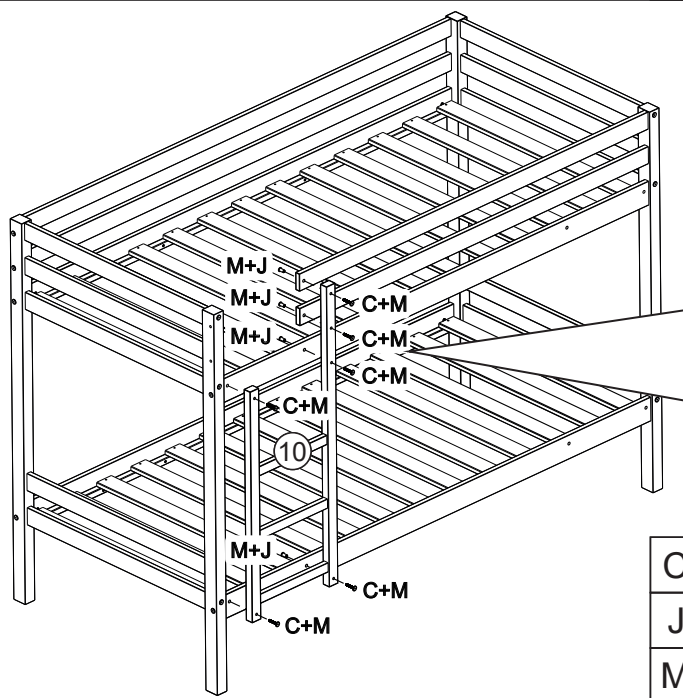
BANAK



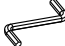
KIVU

SV-0005BC



D		02
M		02

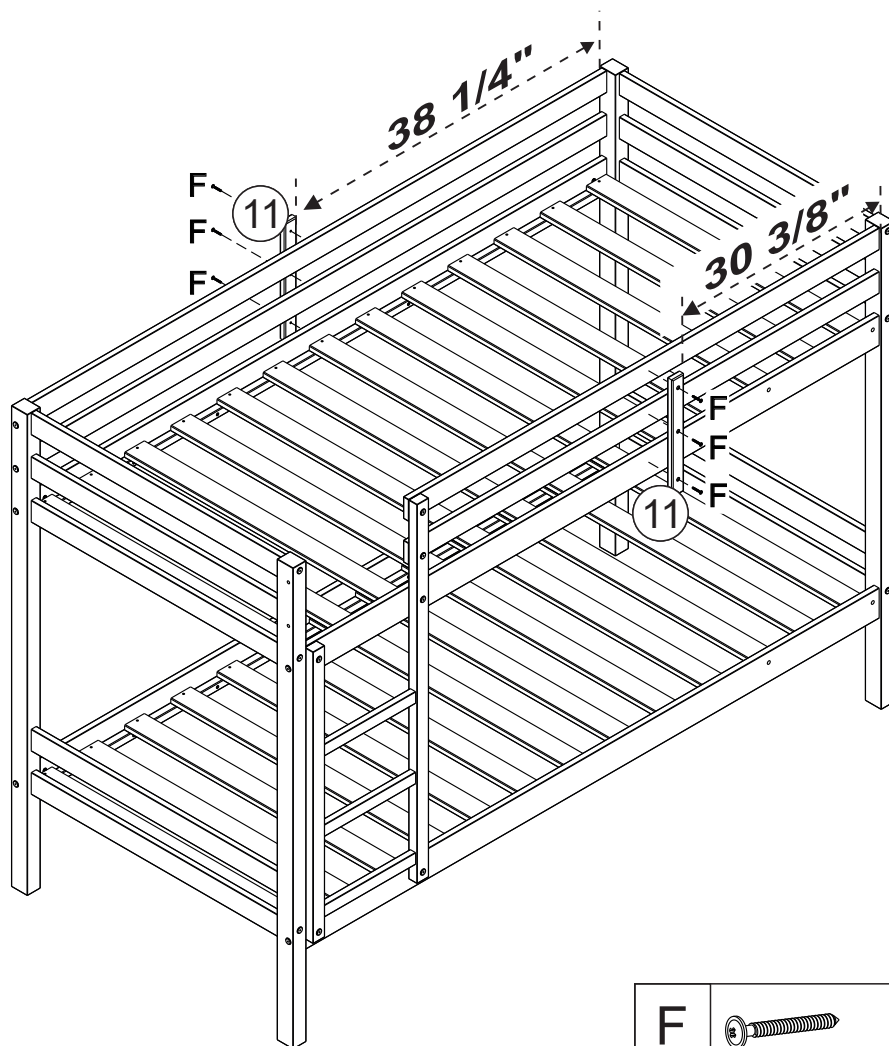


C		06
J		06
M		02

BANAK

KIVU

SV-0005BC

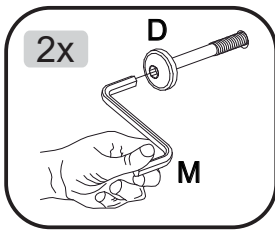
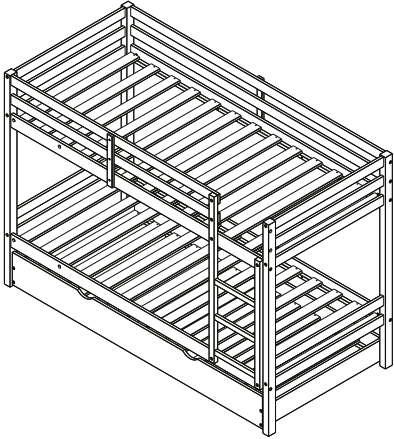


F		06 Ø4,5 x 30
---	---	-----------------

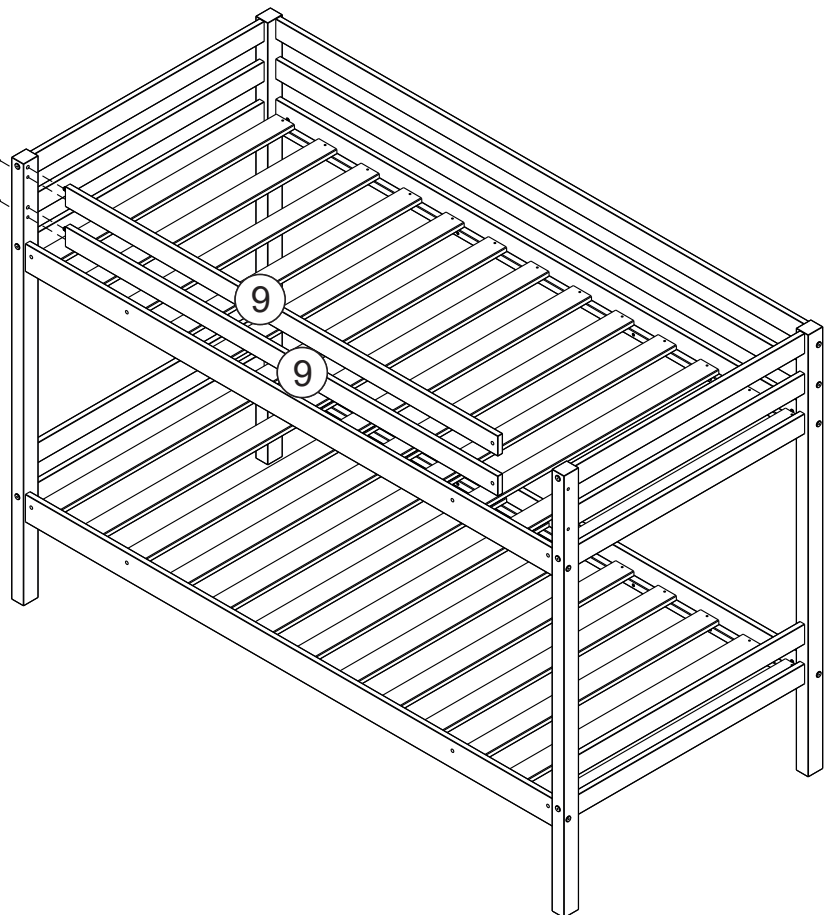
BANAK

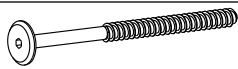
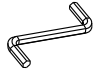
KIVU

SV-0005BC



M+D
M+D

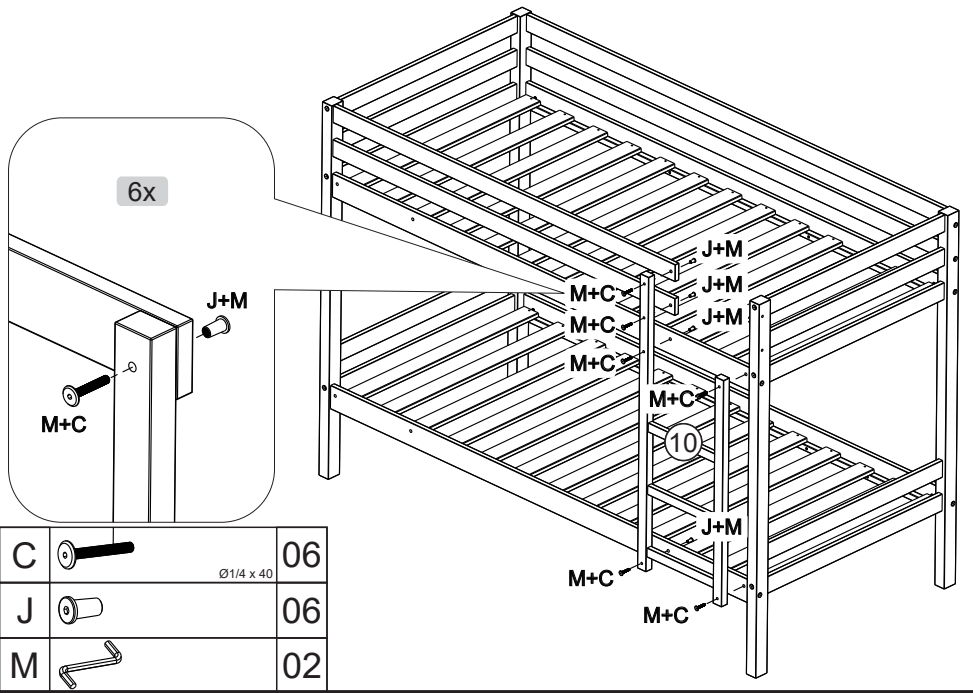



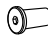
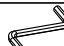
D	 Ø7 x 90	02
M		02

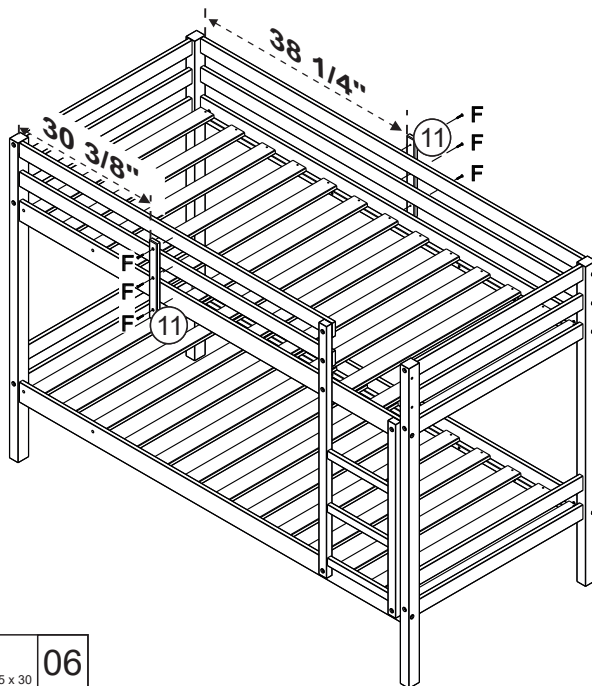
BANAK

KIVU

SV-0005BC



C		Ø1/4 x 40	06
J			06
M			02

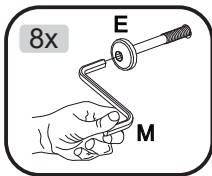
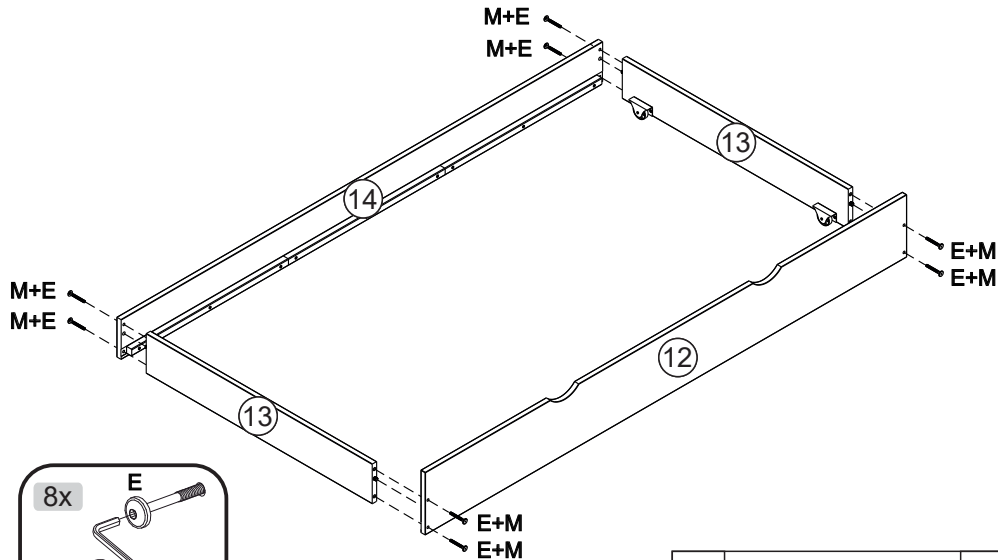




F		Ø4,5 x 30	06
---	---	-----------	----

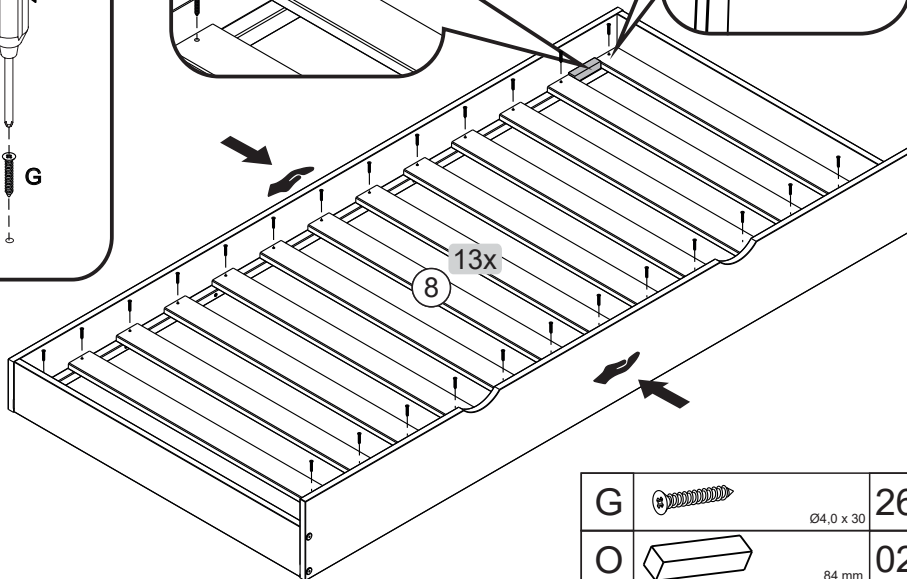
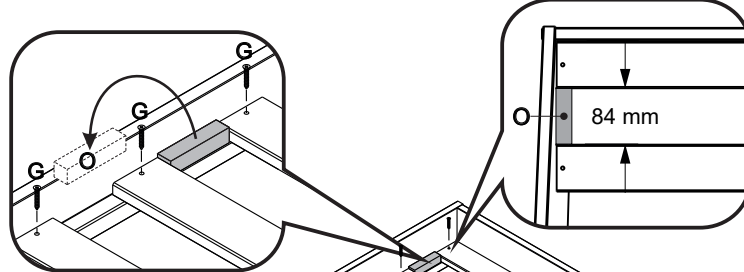
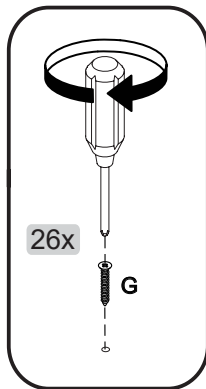
BANAK



KIVU

SV-0005BC



E		08
M		02

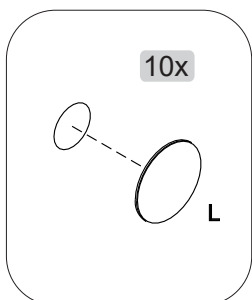
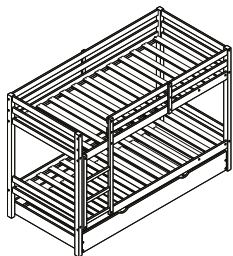


G		26
O		02

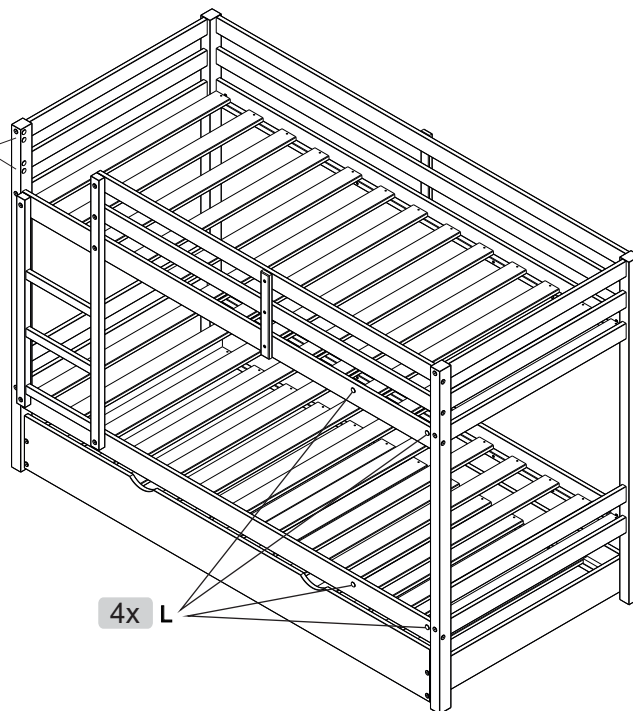
BANAK

KIVU

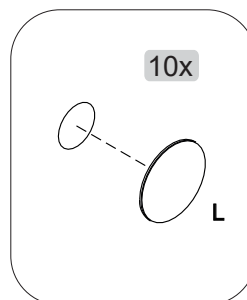
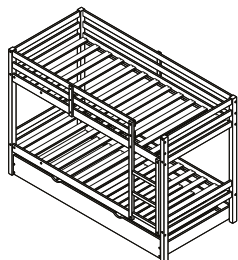
SV-0005BC



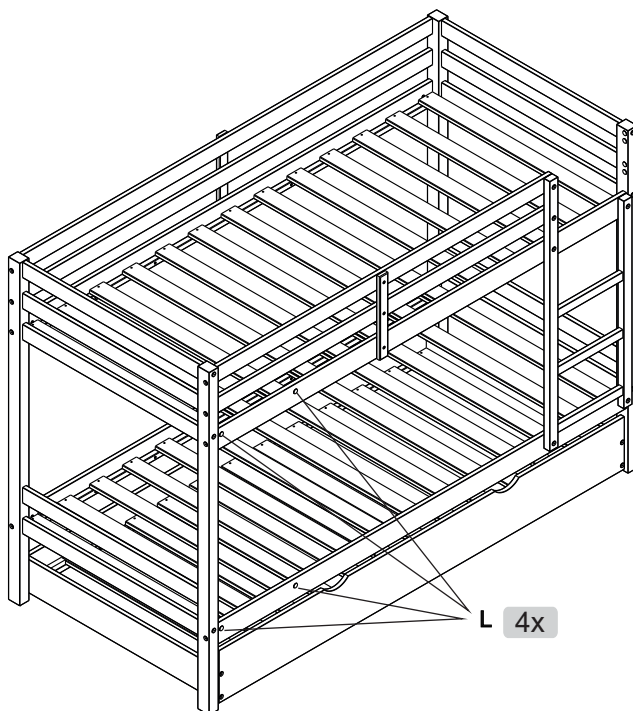
6x L



4x L



L 6x



L 4x

