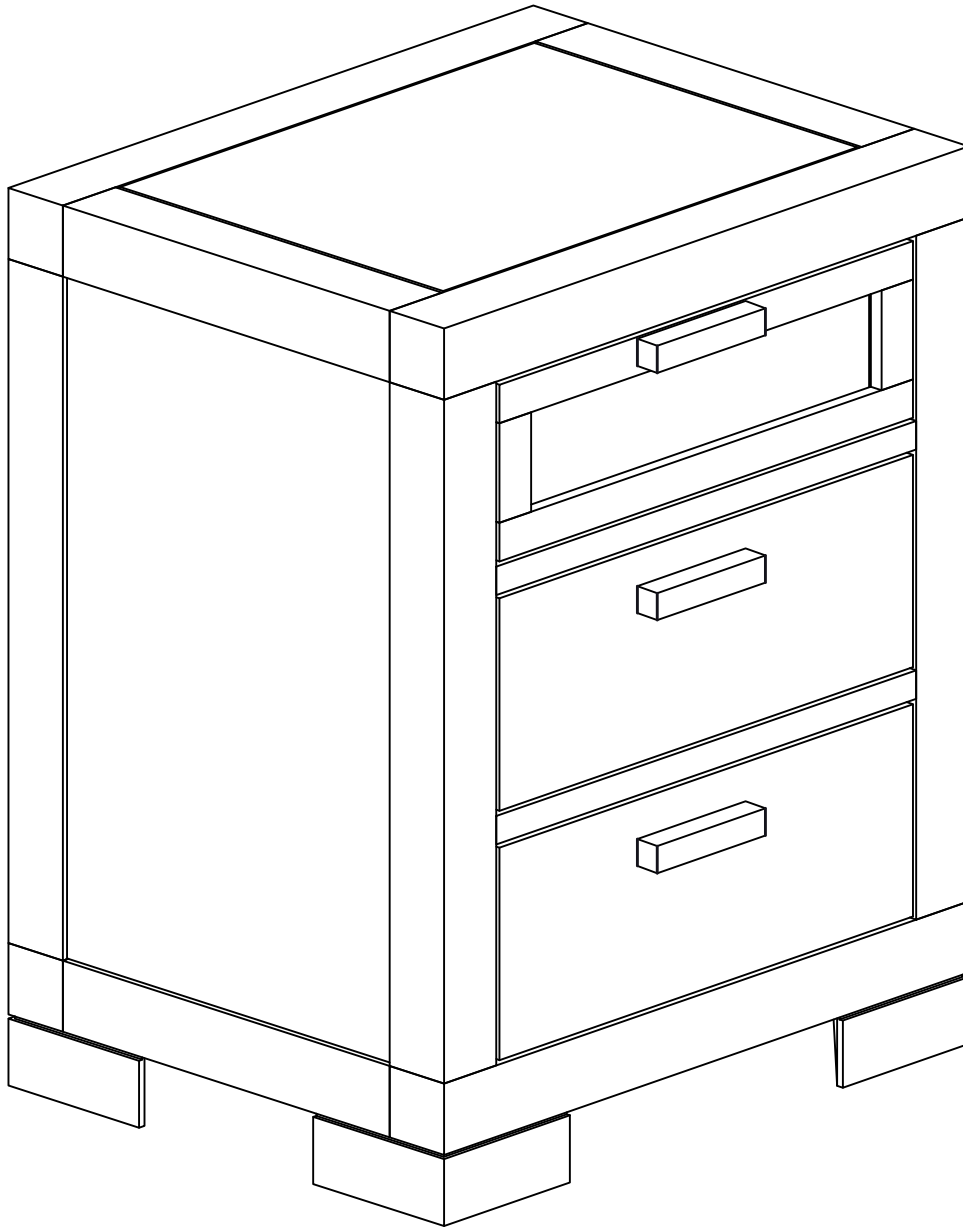


# BANAK

# TRIBECA

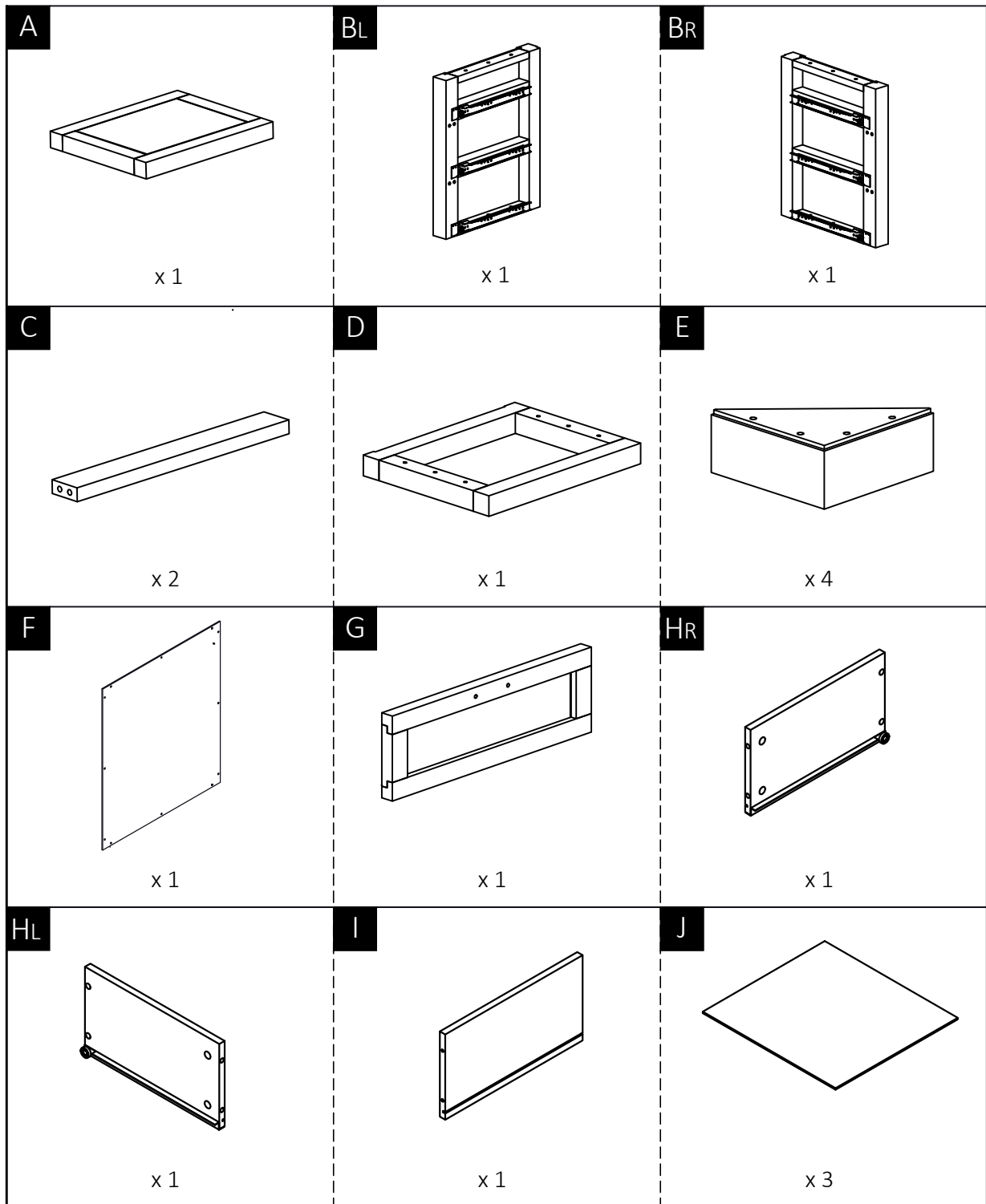
TR-0002-2



# BANAK

# TRIBECA

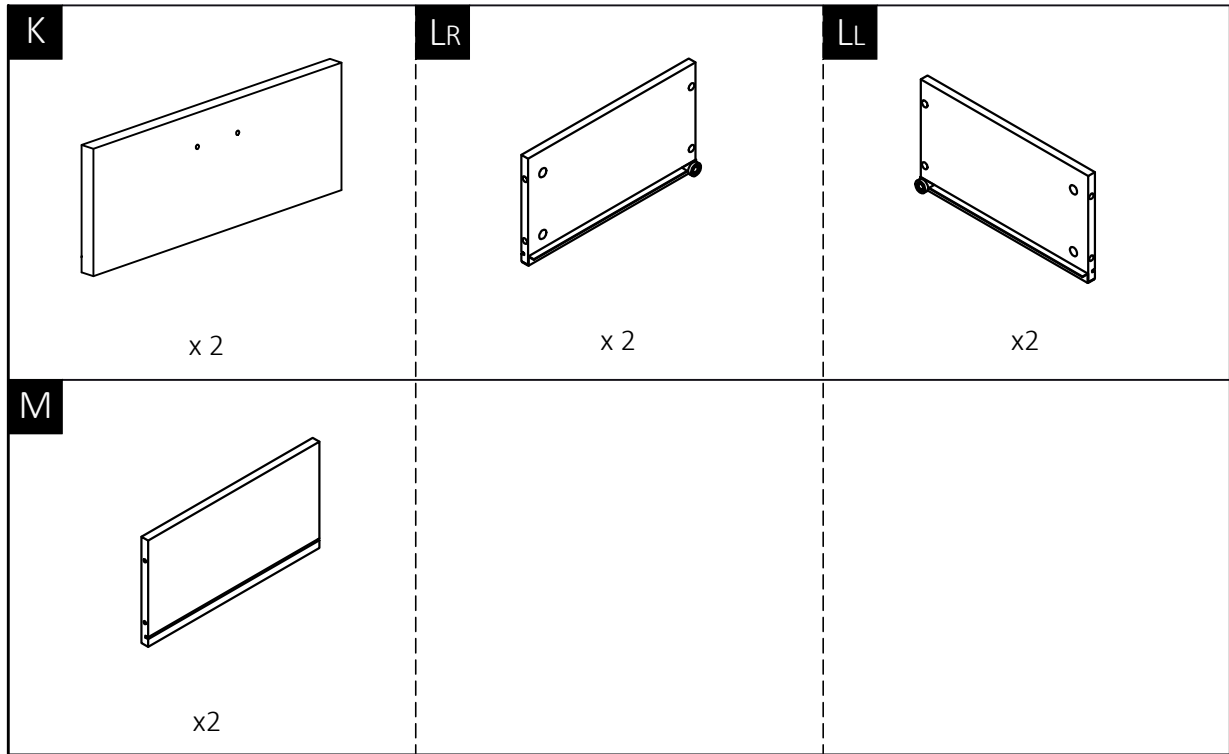
TR-0002-2



# BANAK

# TRIBECA

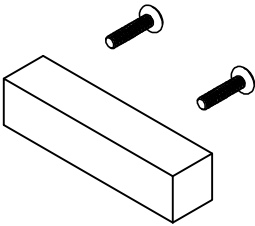
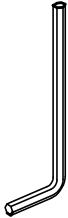
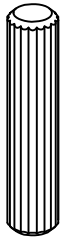
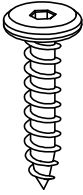

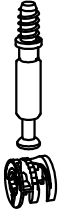
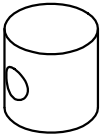

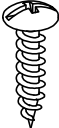
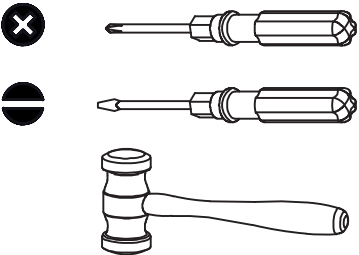

TR-0002-2



# BANAK

# TRIBECA

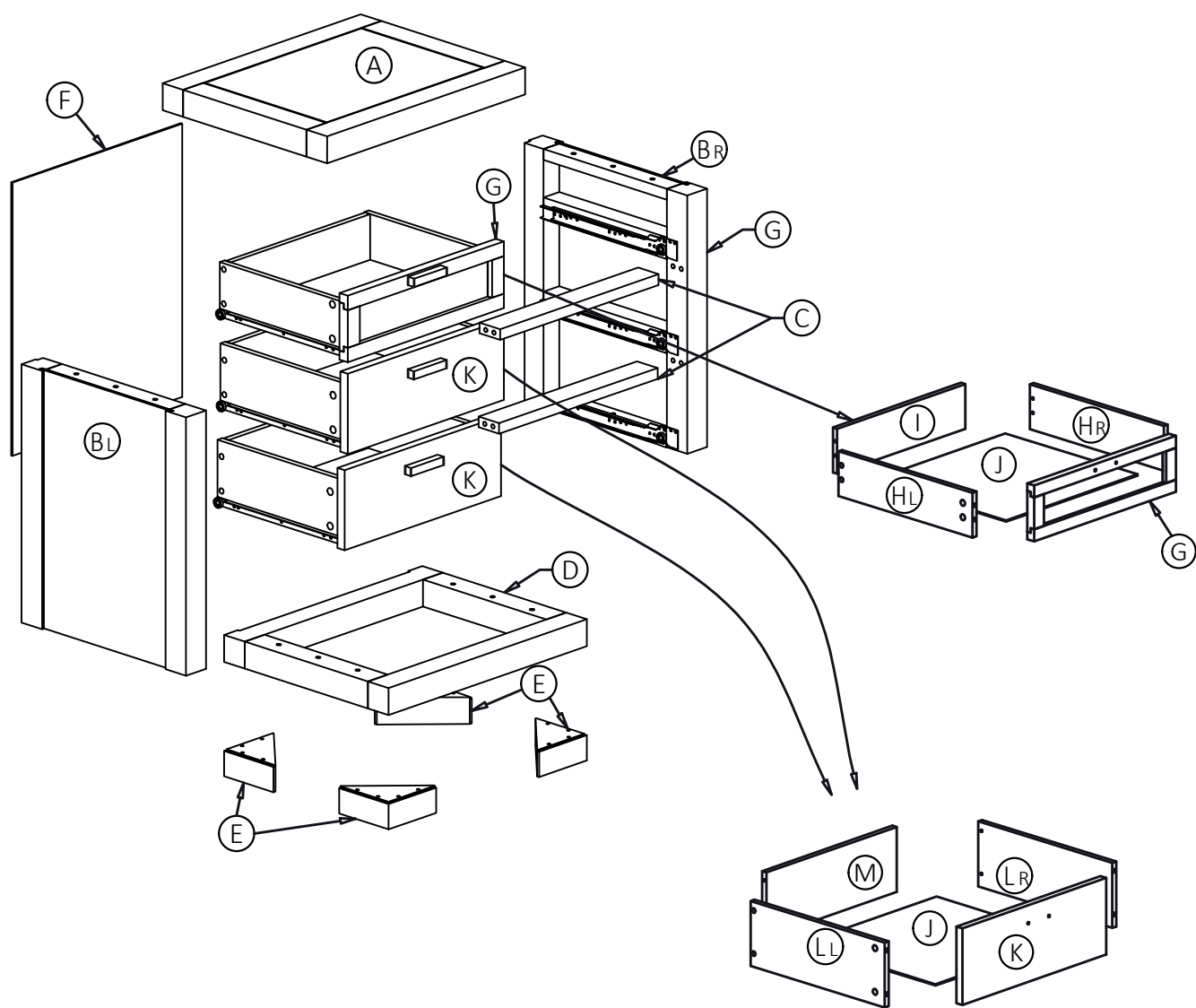
TR-0002-2

<p>1</p>  <p>x 3</p>	<p>2</p>  <p>x 1</p>	<p>3</p>  <p>x 8</p>	<p>4</p>  <p>M6 X 30mm x 12</p>
<p>5</p>  <p>M4 X 45mm x16</p>	<p>6</p>  <p>x 12</p>	<p>7</p>  <p>M8 X 8mm x 12</p>	<p>8</p>  <p>M4 X 30mm x12</p>
<p>9</p>  <p>M4 X 15mm x12</p>			
 			

# BANAK

# TRIBECA

TR-0002-2

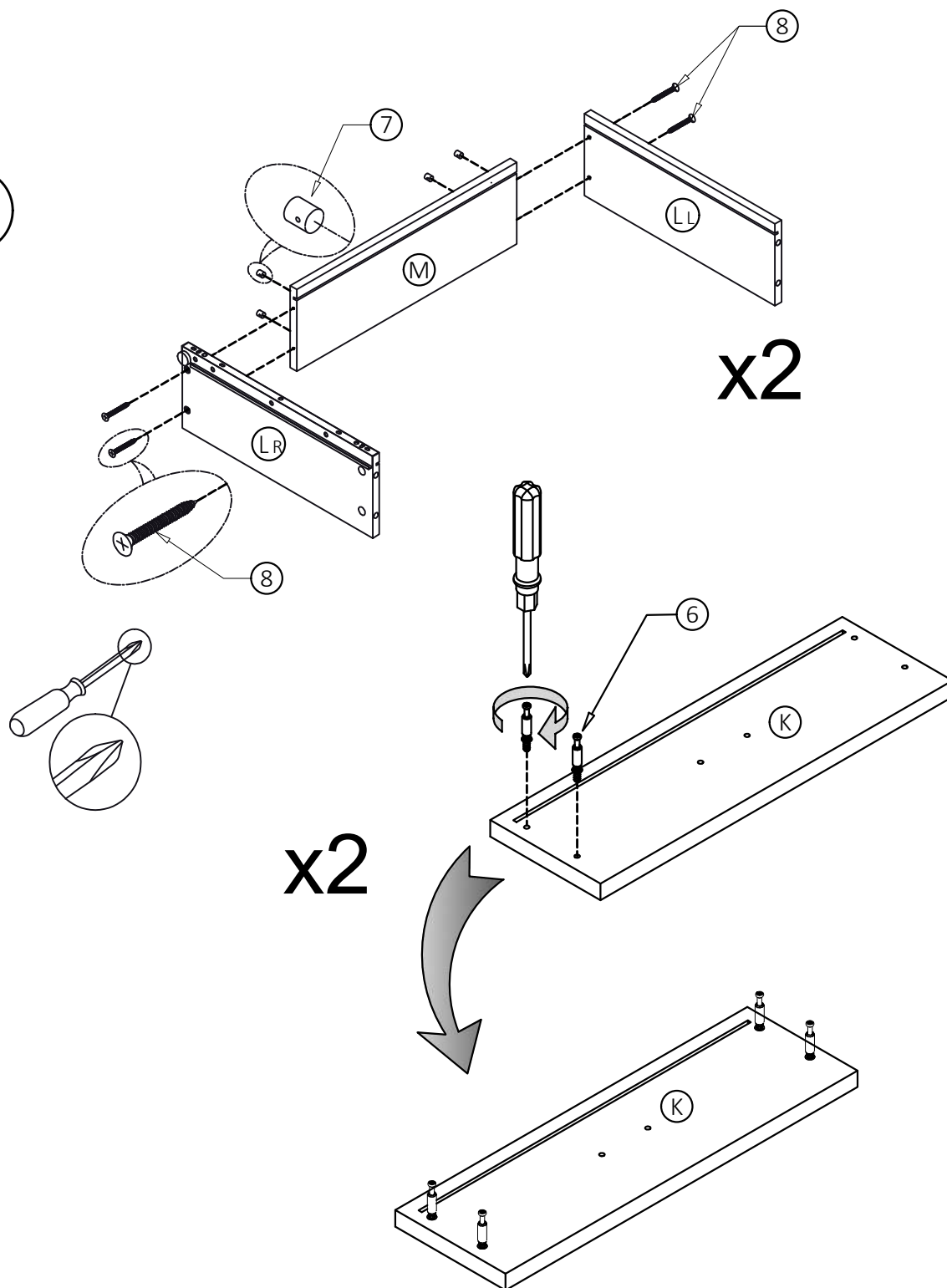


# BANAK

# TRIBECA

TR-0002-2

1

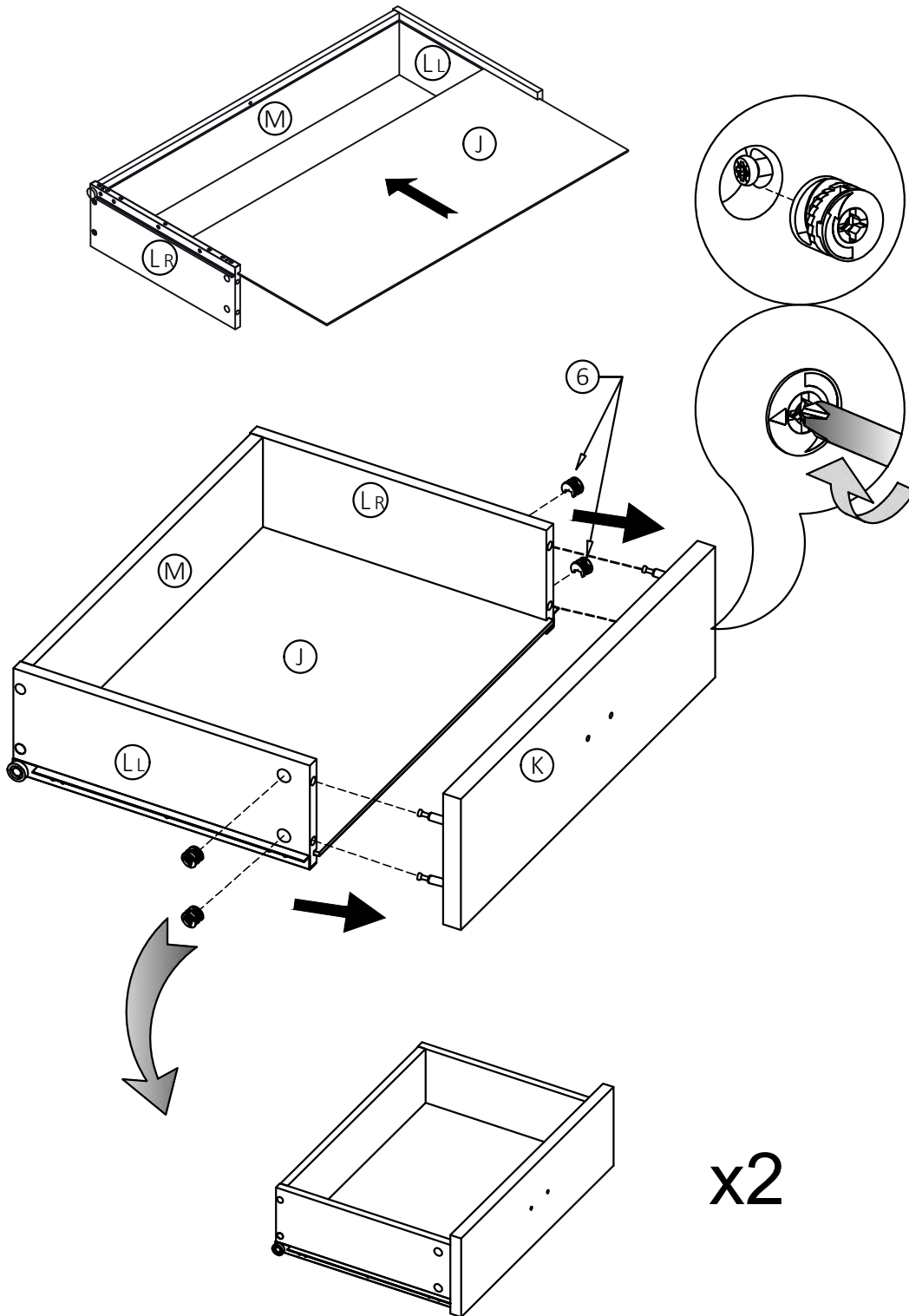


# BANAK

# TRIBECA

TR-0002-2

2

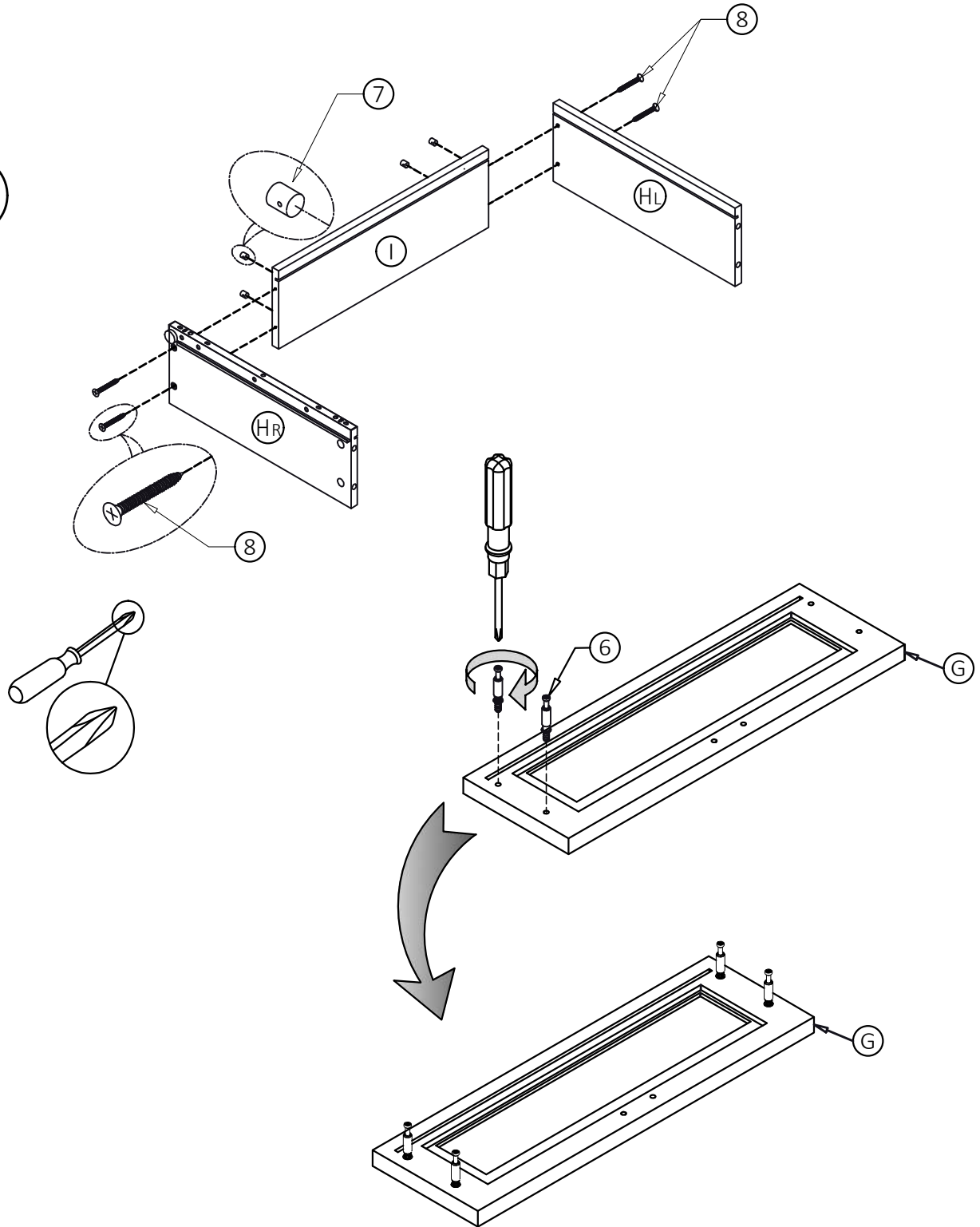


# BANAK

# TRIBECA

TR-0002-2

3



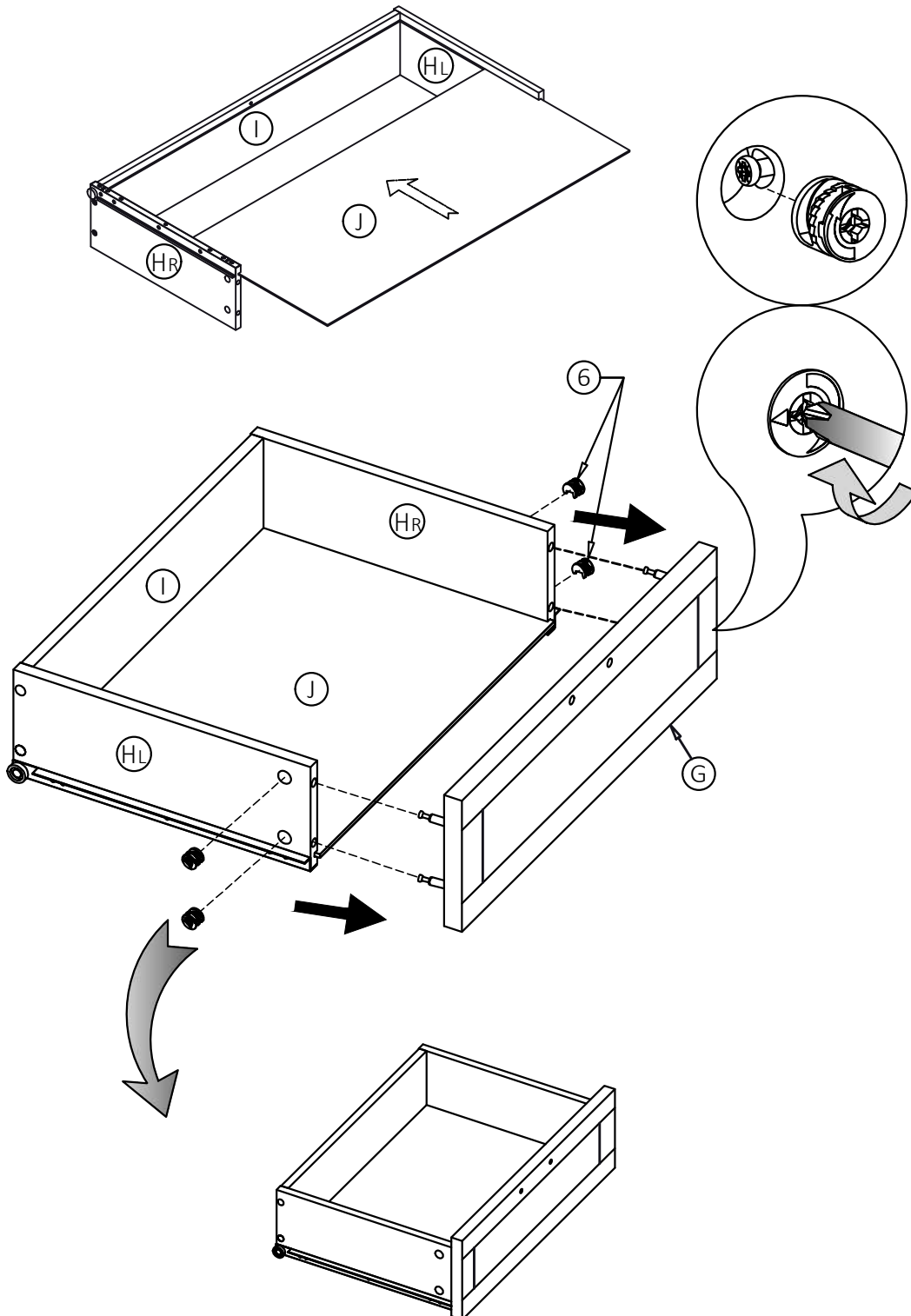


# BANAK

# TRIBECA

TR-0002-2

4

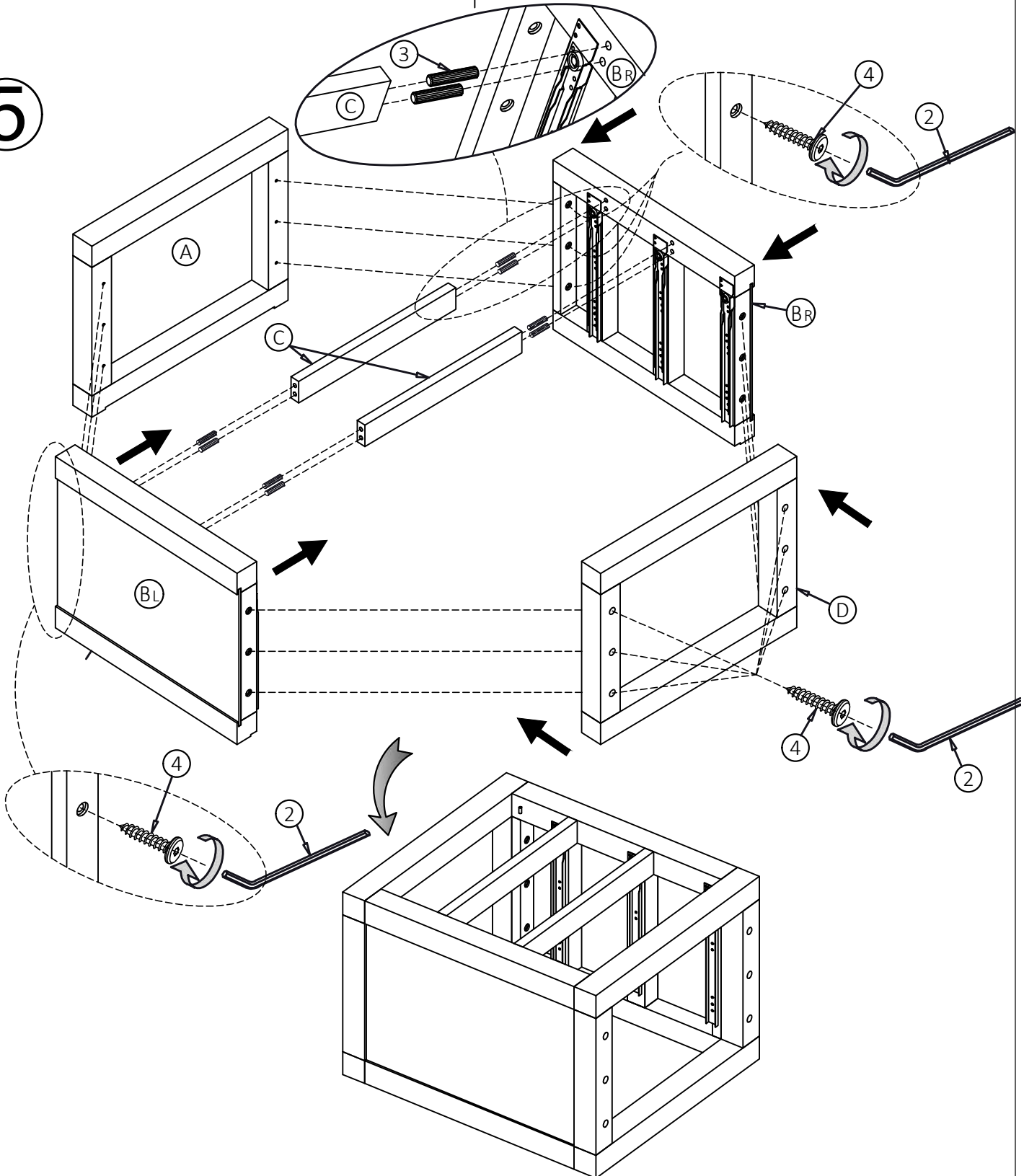


# BANAK

# TRIBECA

TR-0002-2

5

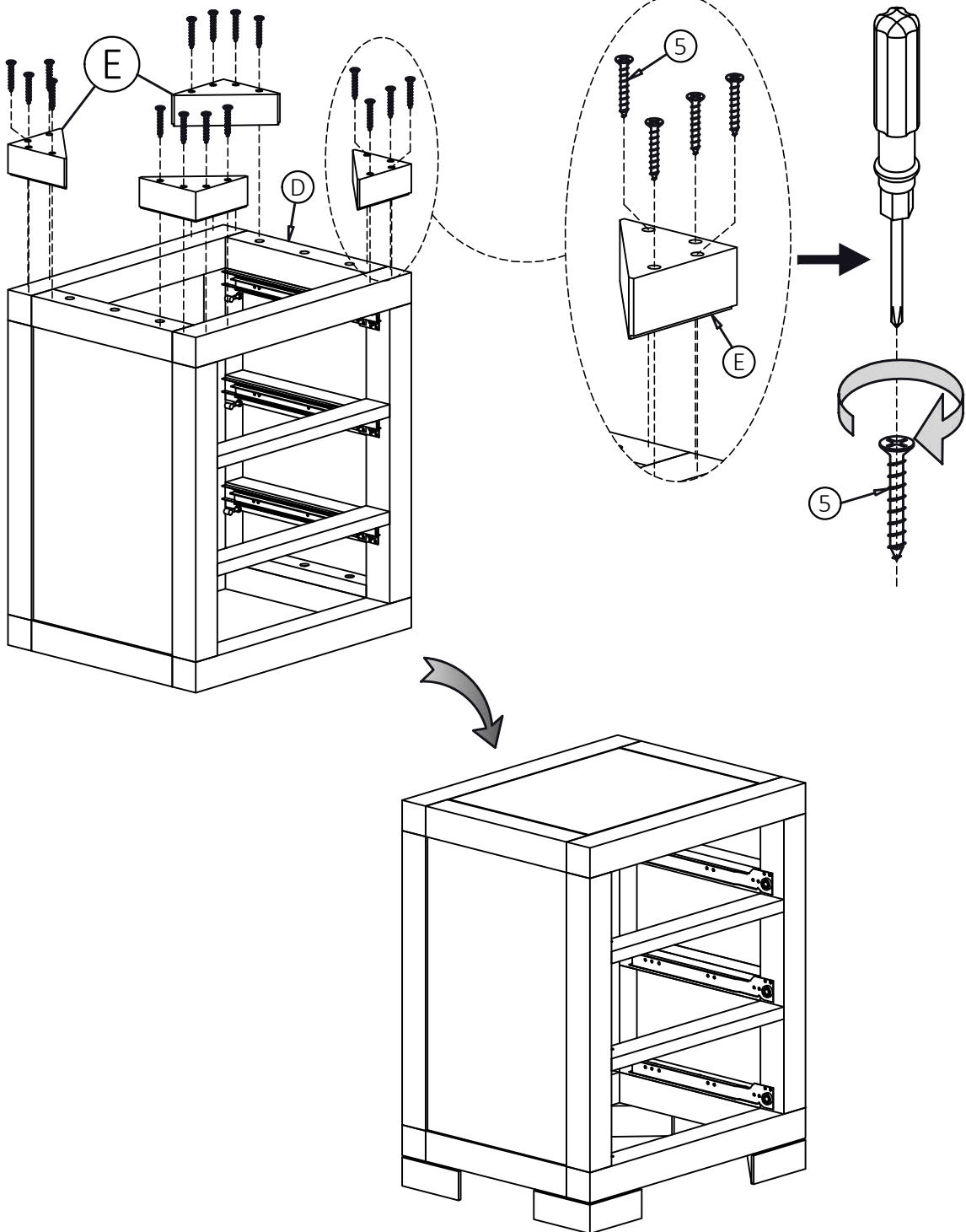


# BANAK

# TRIBECA

TR-0002-2

6

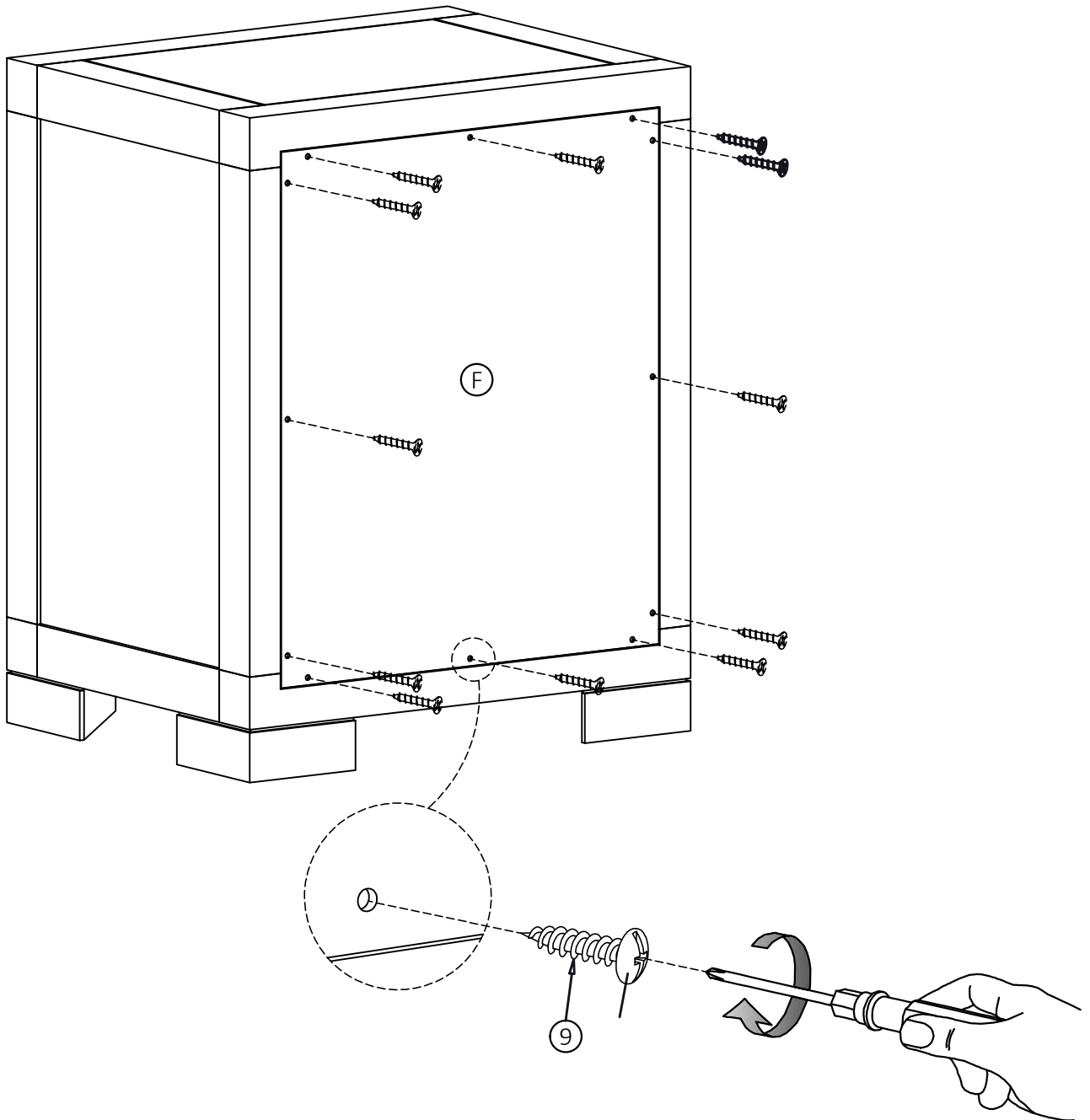


# BANAK

# TRIBECA

TR-0002-2

7



# BANAK

# TRIBECA

TR-0002

8

