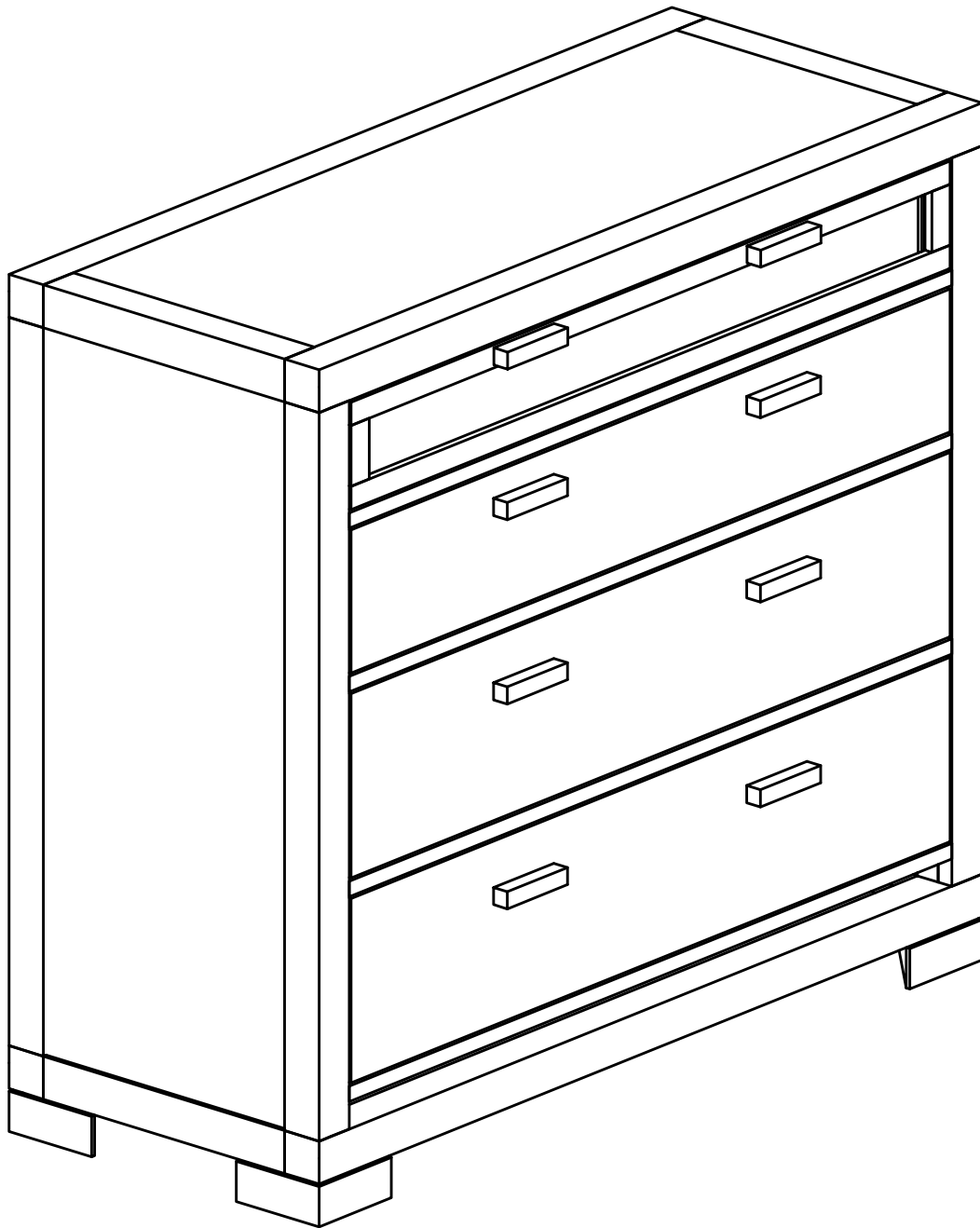


BANAK

TRIBECA

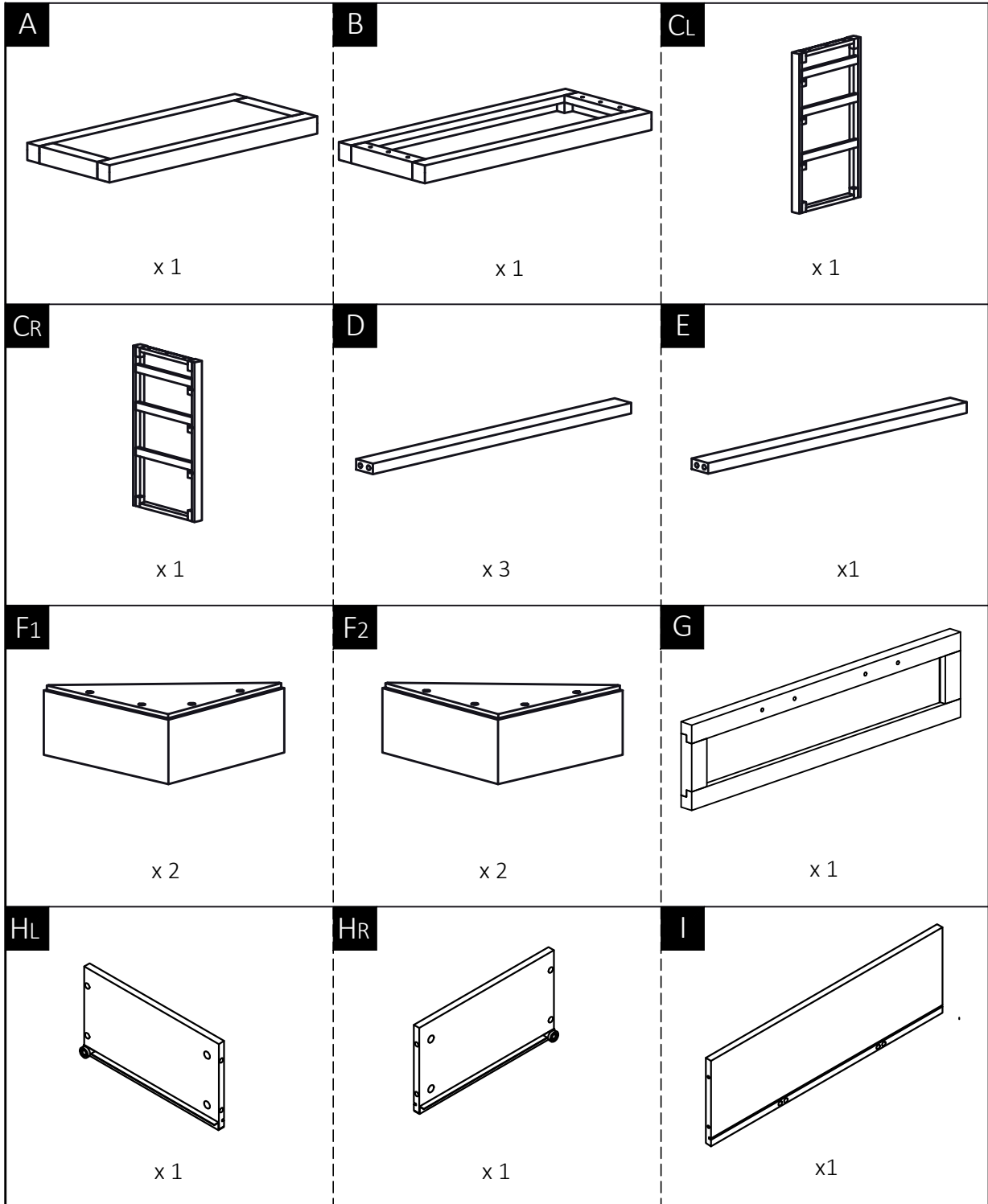
TR-0003



BANAK

TRIBECA

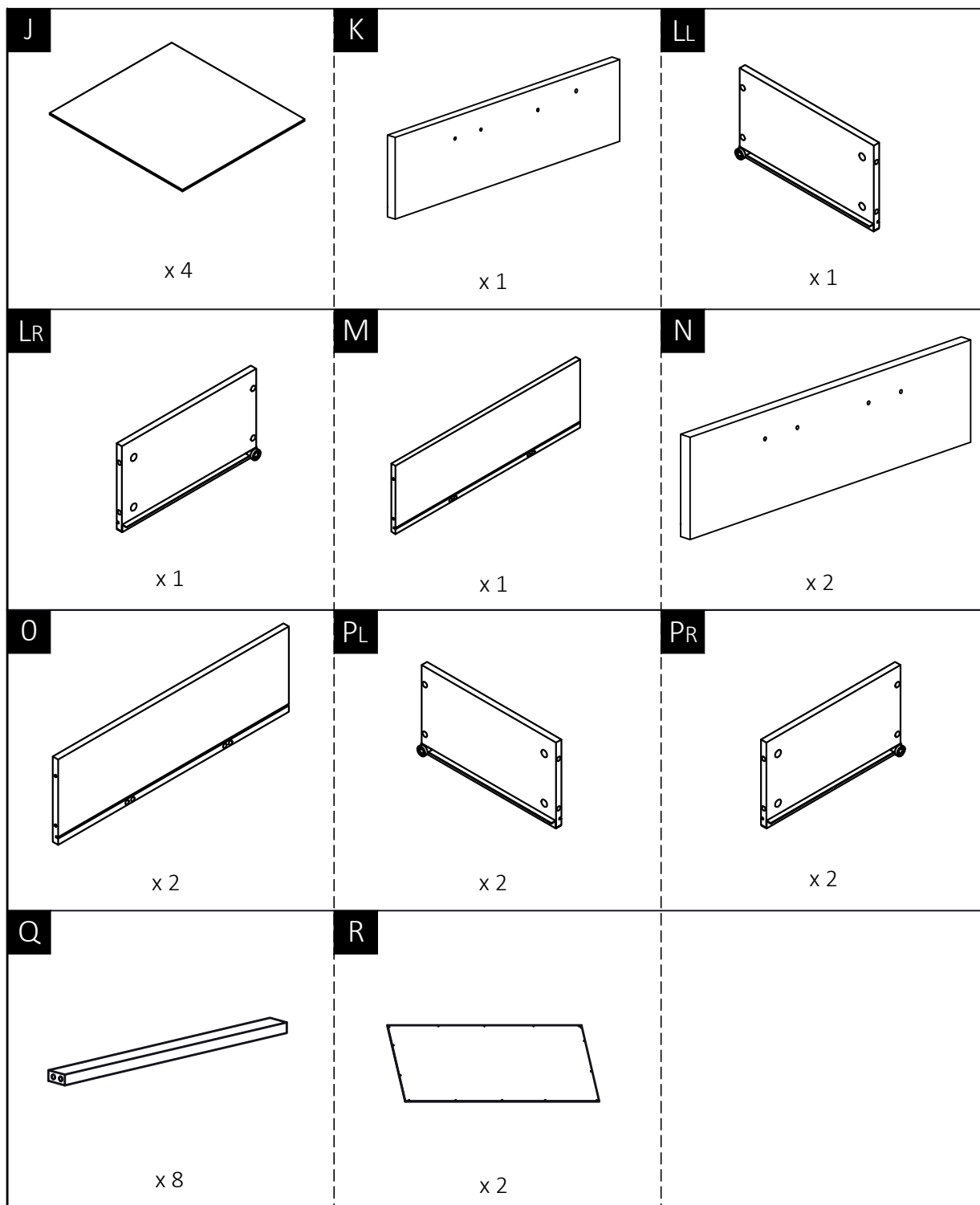
TR-0003



BANAK

TRIBECA

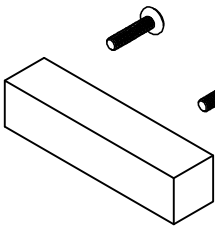

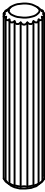
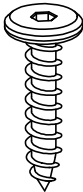

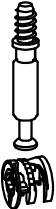
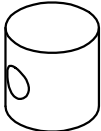

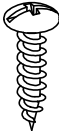

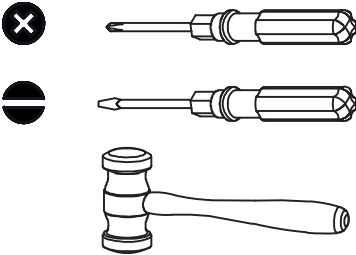

TR-0003



BANAK

TRIBECA

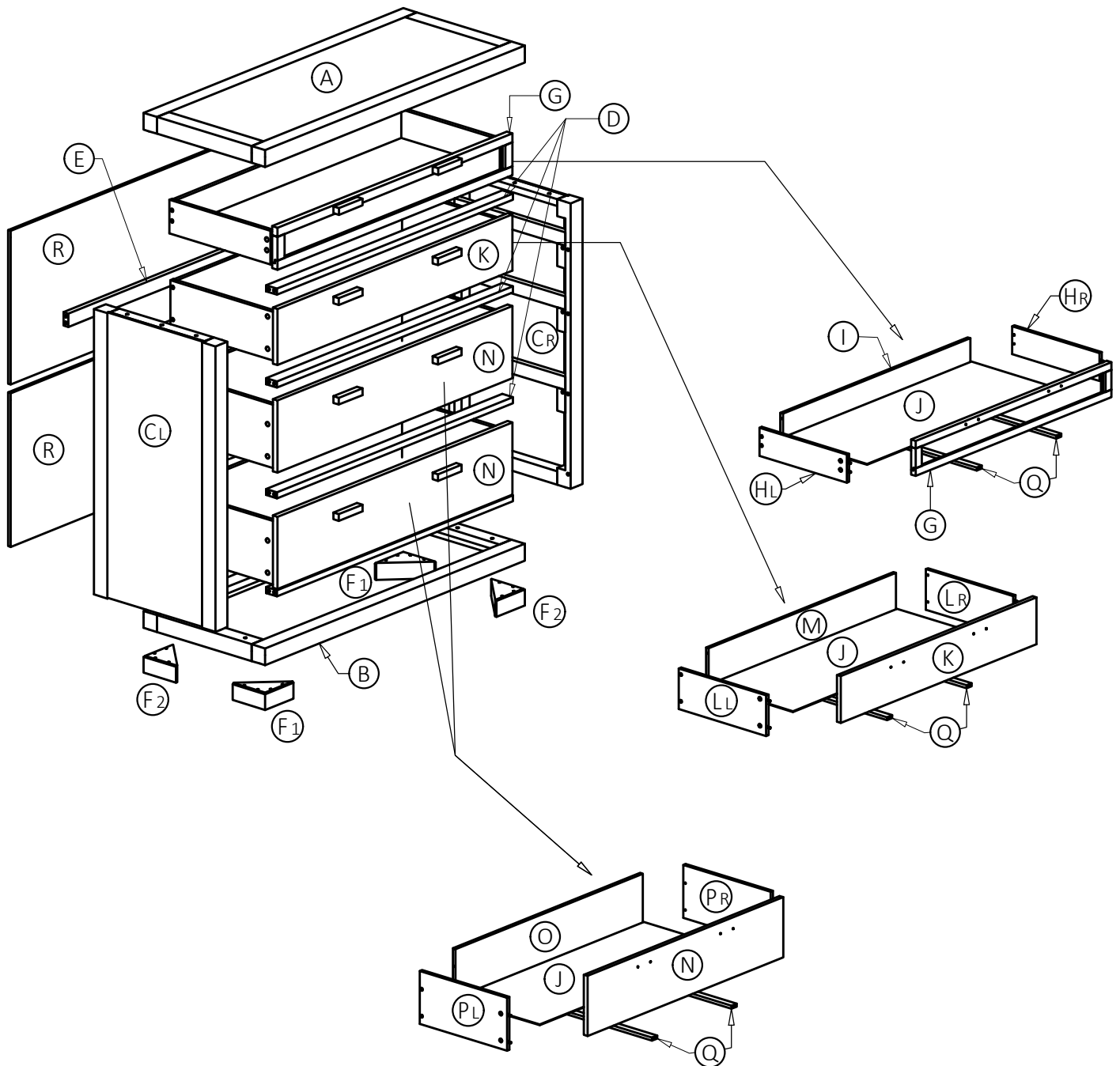
TR-0003

<p>1</p>  <p>x 8</p>	<p>2</p>  <p>x 1</p>	<p>3</p>  <p>Ø8 X 30mm x 16</p>	<p>4</p>  <p>M6 X 30mm x 12</p>
<p>5</p>  <p>M4 X 45mm x 16</p>	<p>6</p>  <p>x 16</p>	<p>7</p>  <p>M8 X 8mm x 16</p>	<p>8</p>  <p>M4 X 30mm x 16</p>
<p>9</p>  <p>M4 X 15mm x 27</p>	<p>10</p>  <p>Ø6 X 30mm x 32</p>		
 			

BANAK

TRIBECA

TR-0003

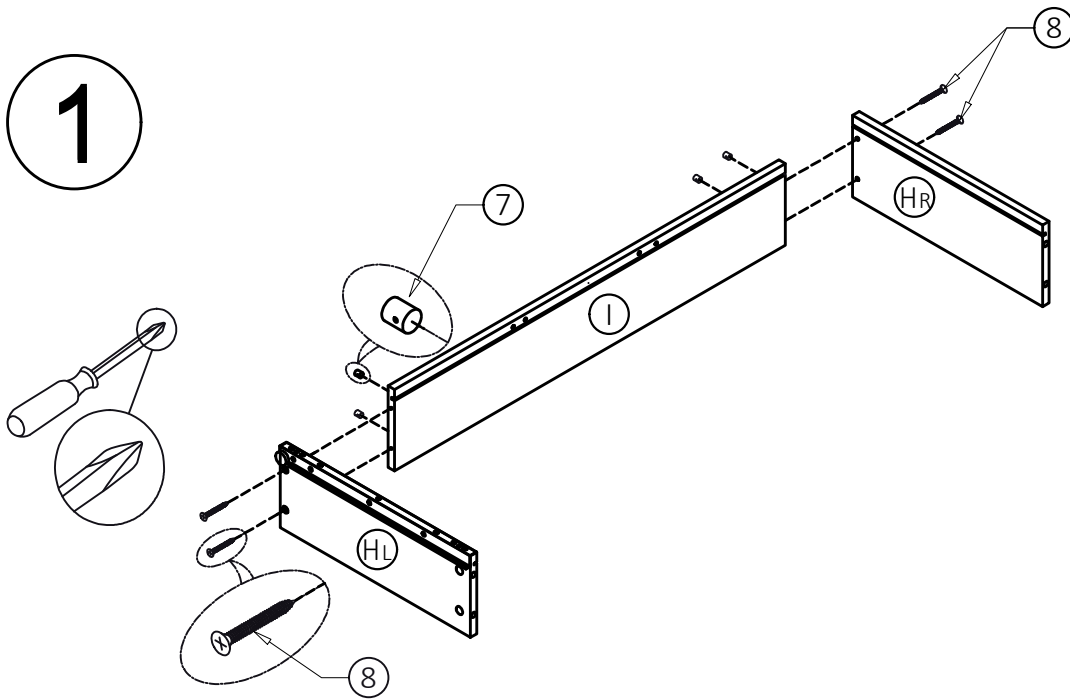


BANAK

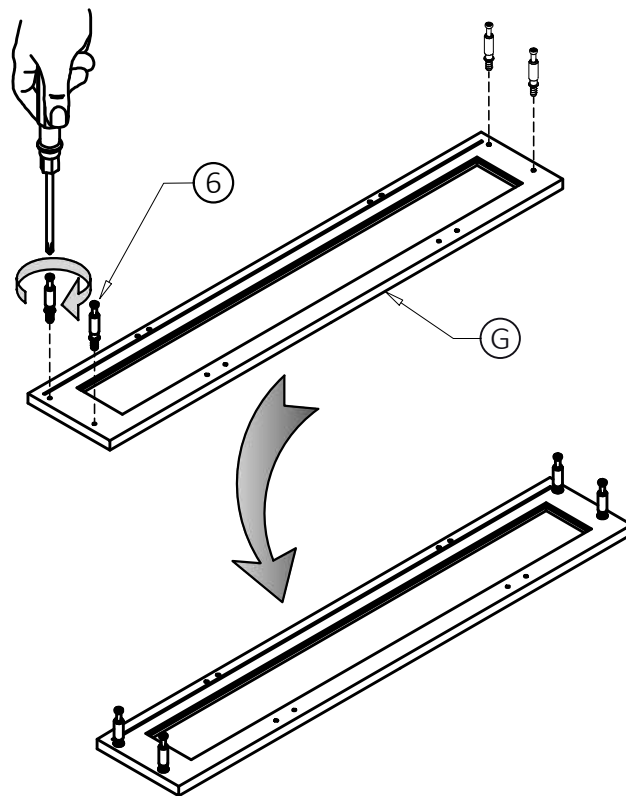
TRIBECA

TR-0003

1



2

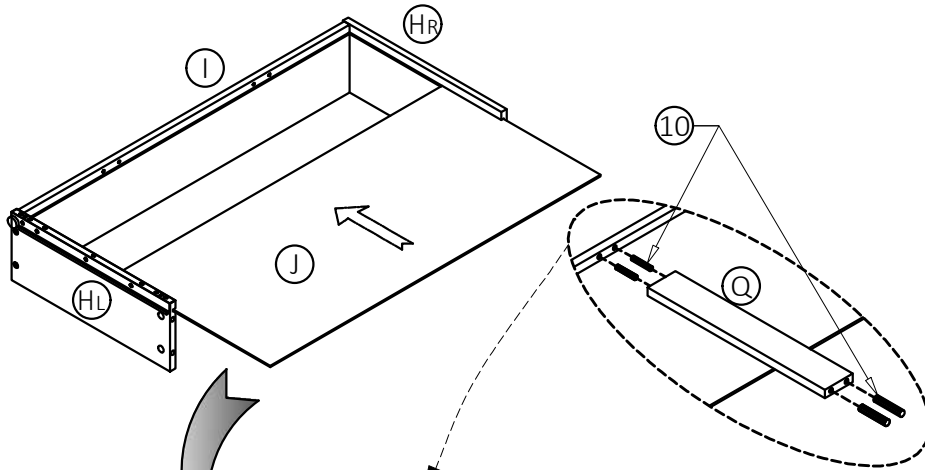


BANAK

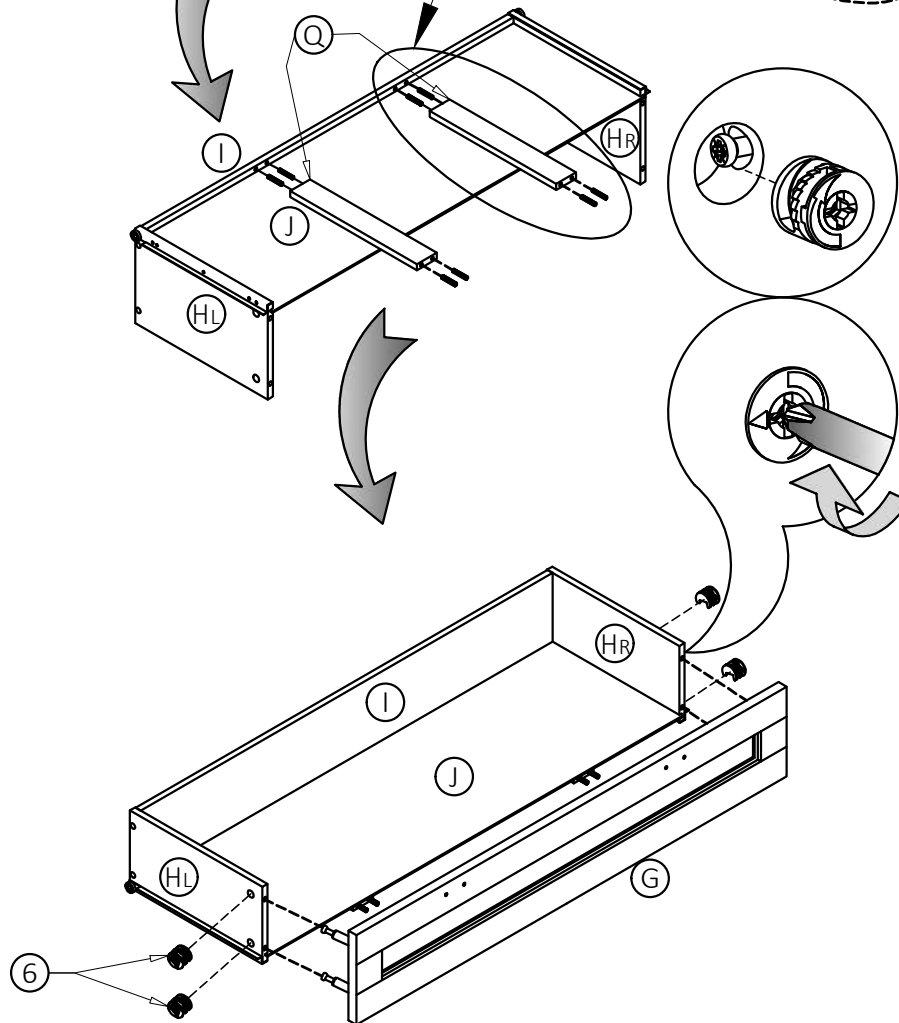
TRIBECA

TR-0003

3



4

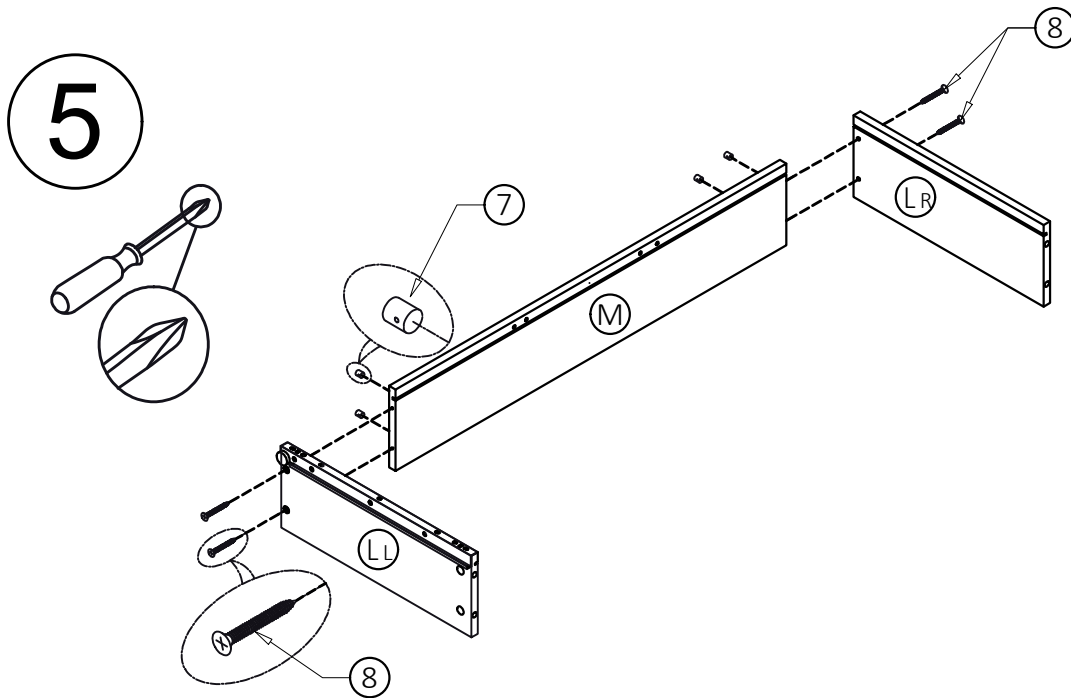


BANAK

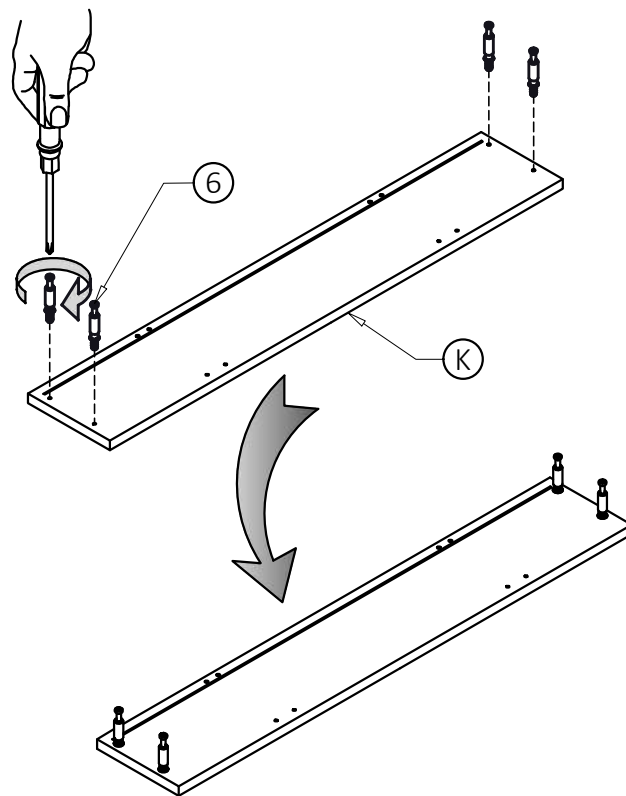
TRIBECA

TR-0003

5



6

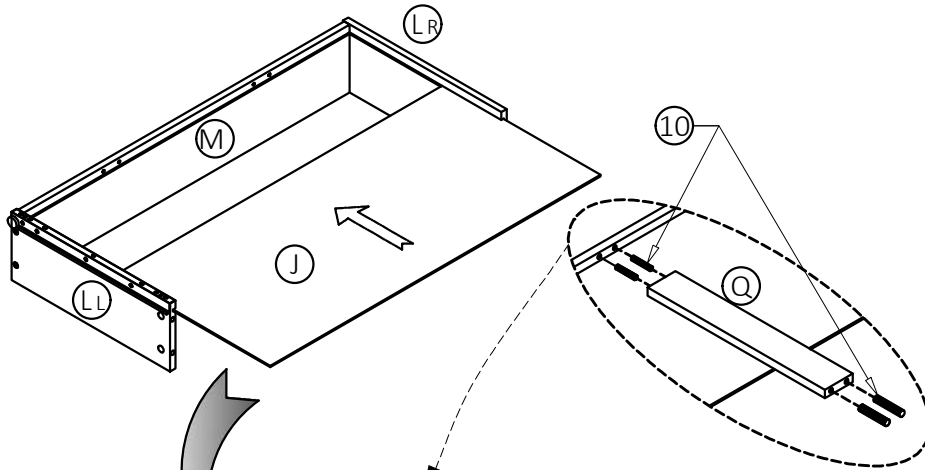


BANAK

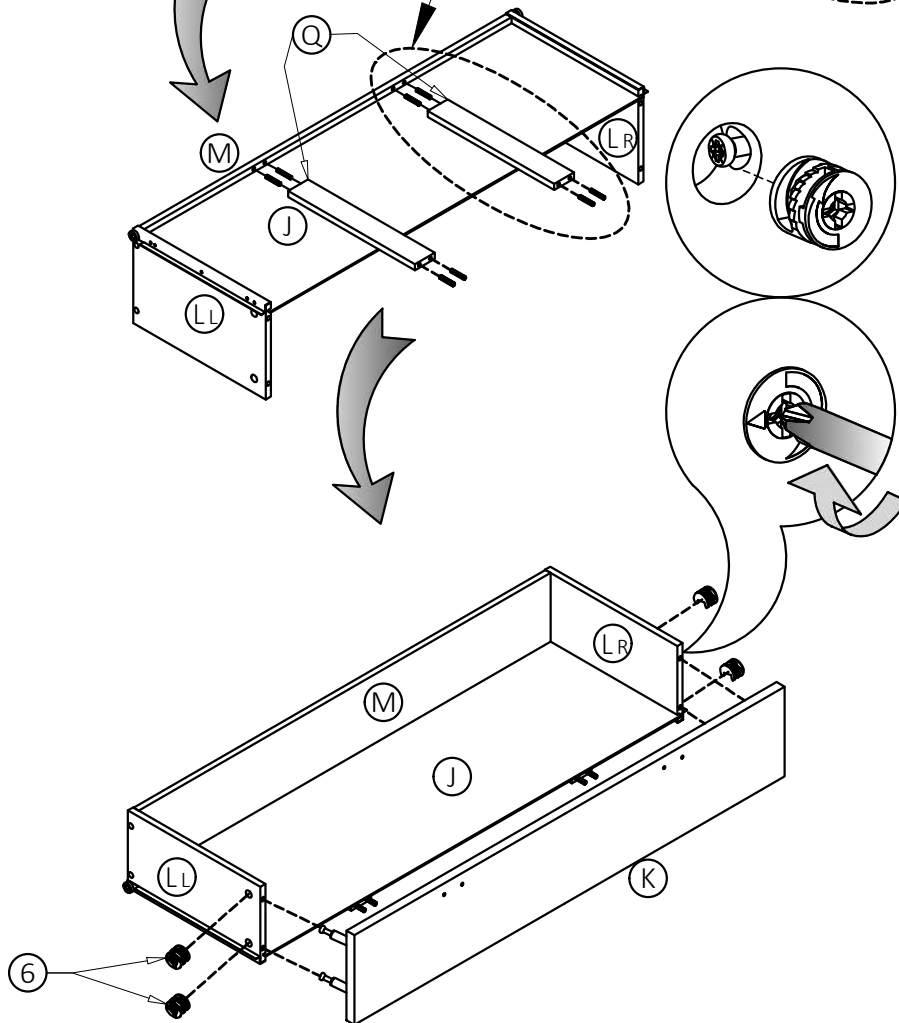
TRIBECA

TR-0003

7



8

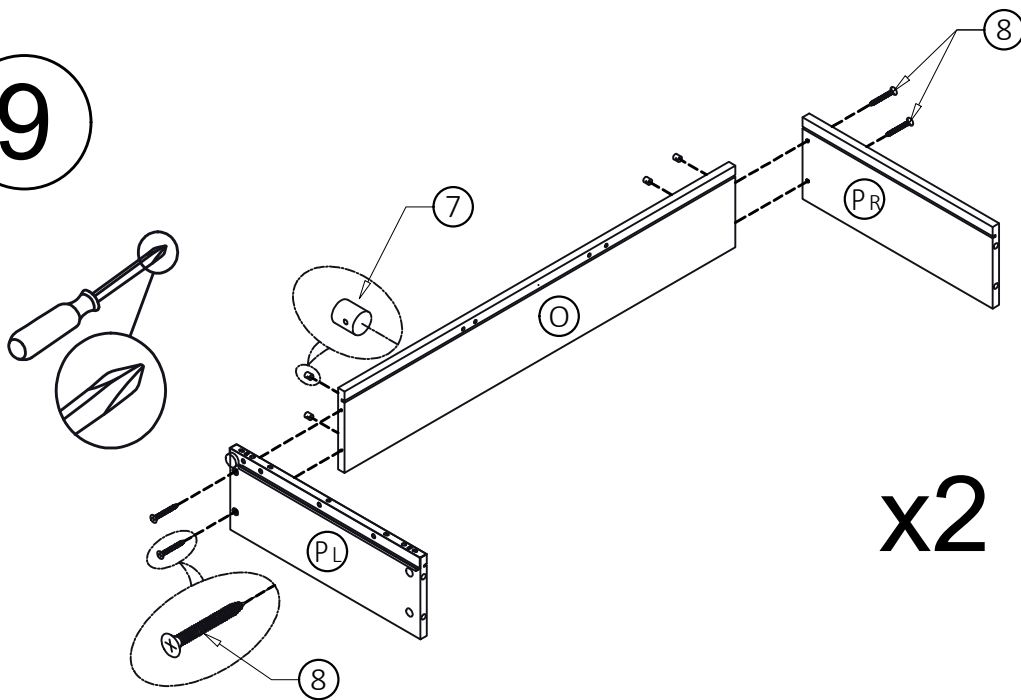


BANAK

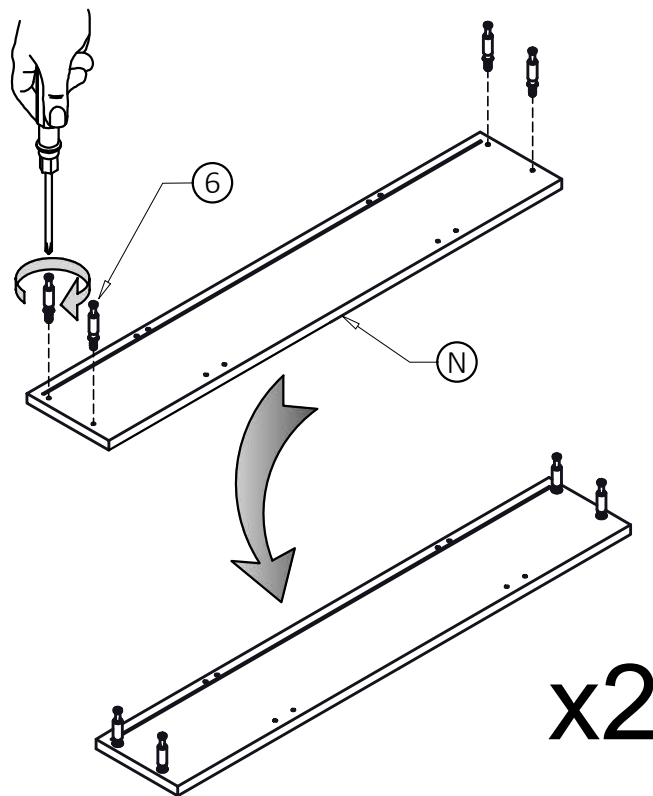
TRIBECA

TR-0003

9



10

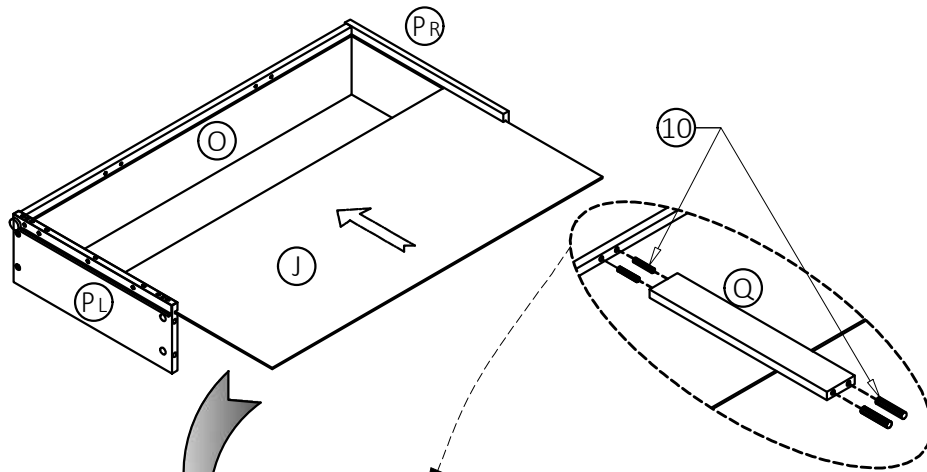


BANAK

TRIBECA

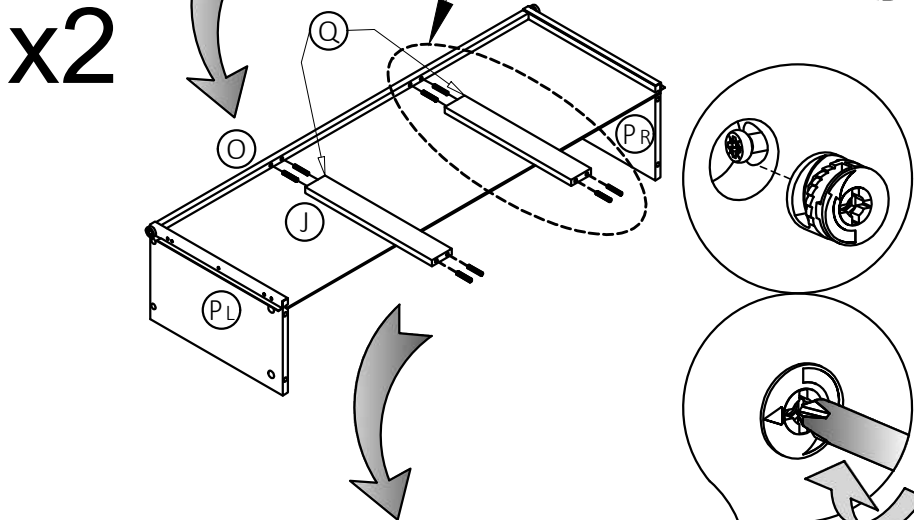
TR-0003

11

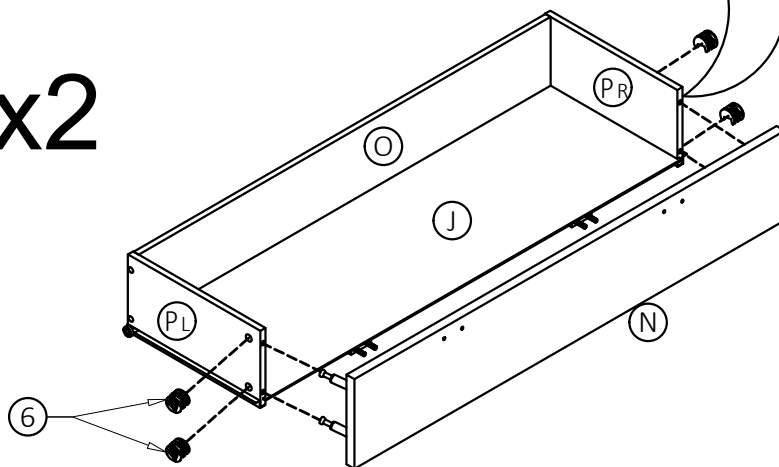


x2

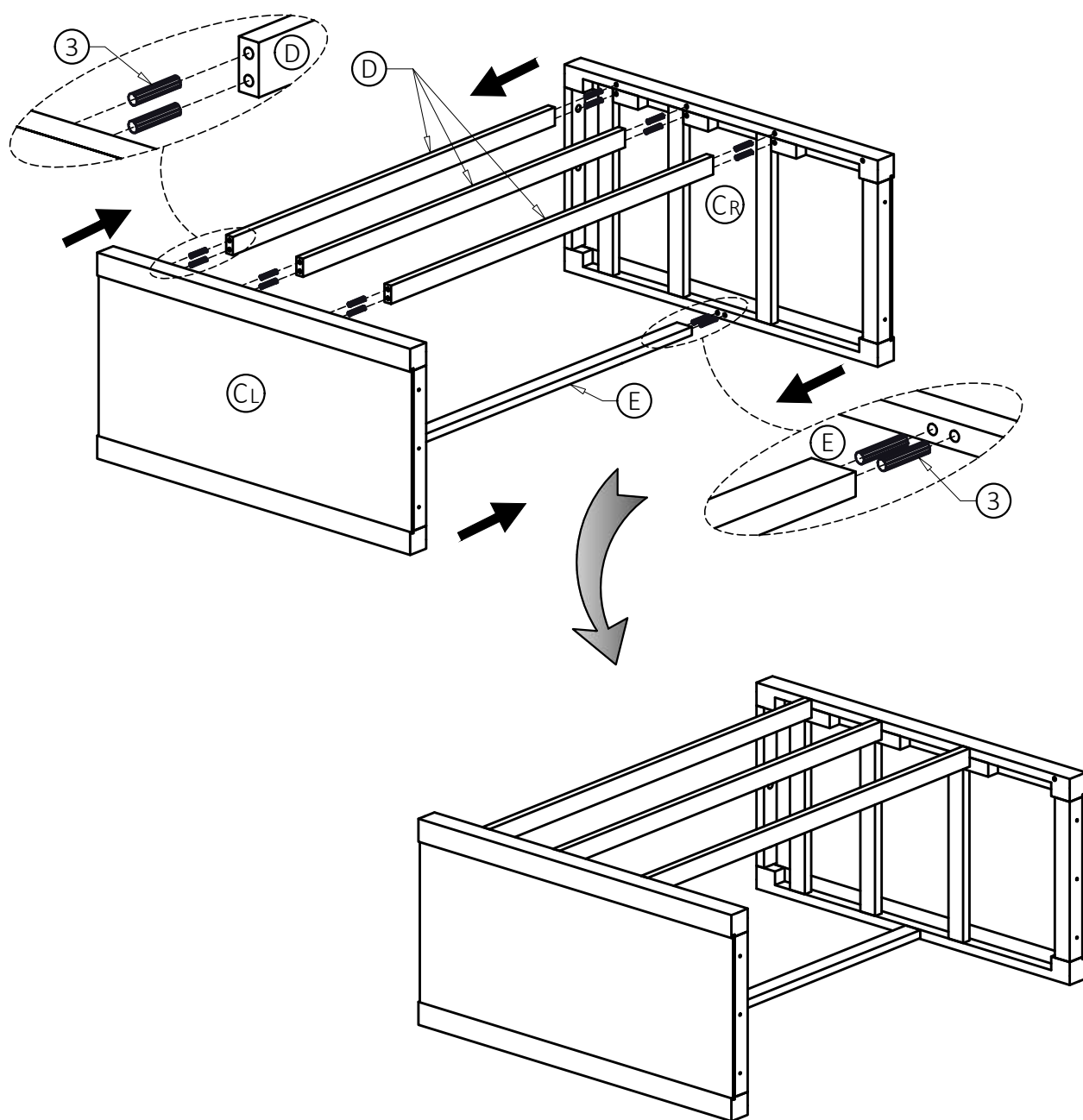
12



x2



13

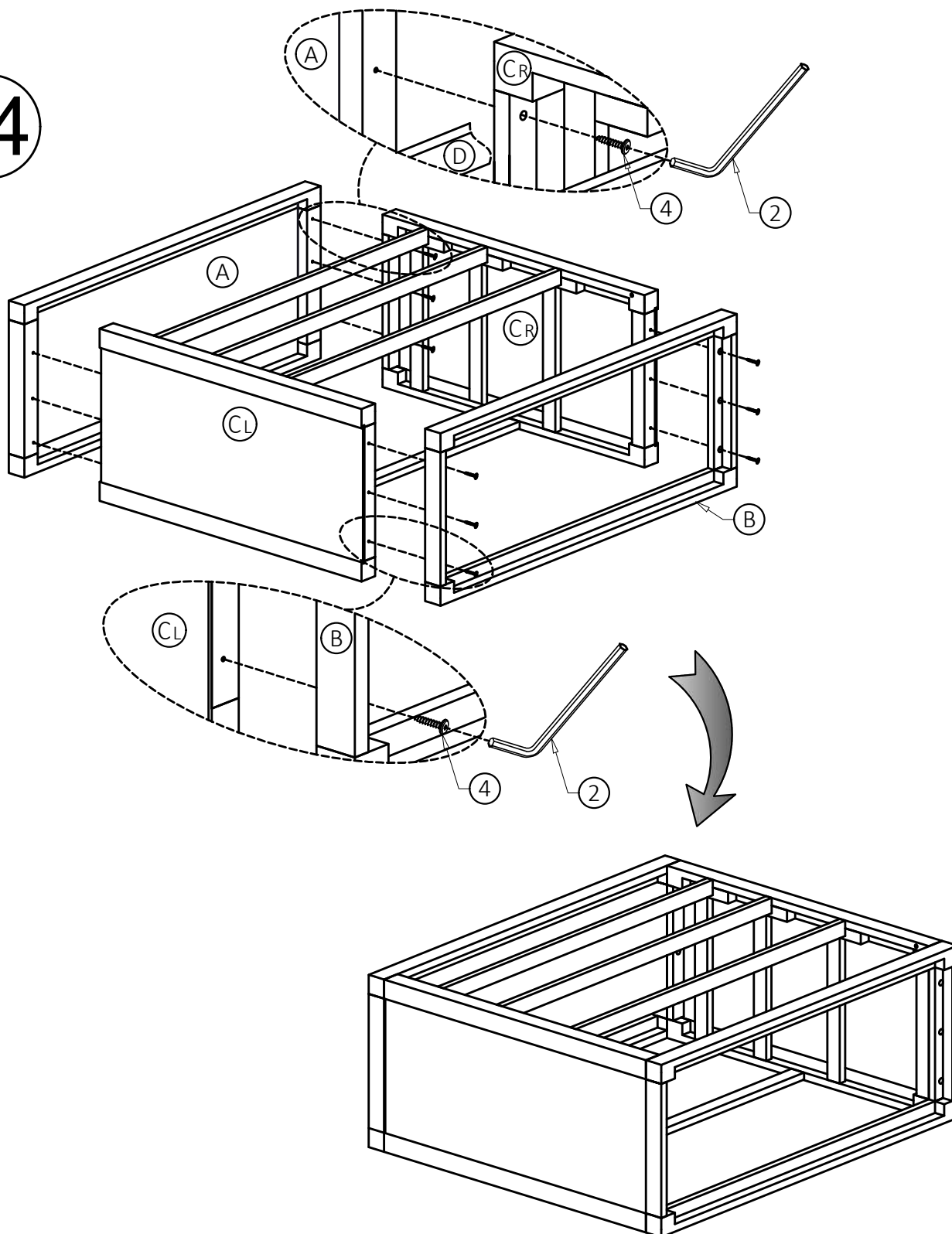


BANAK

TRIBECA

TR-0003

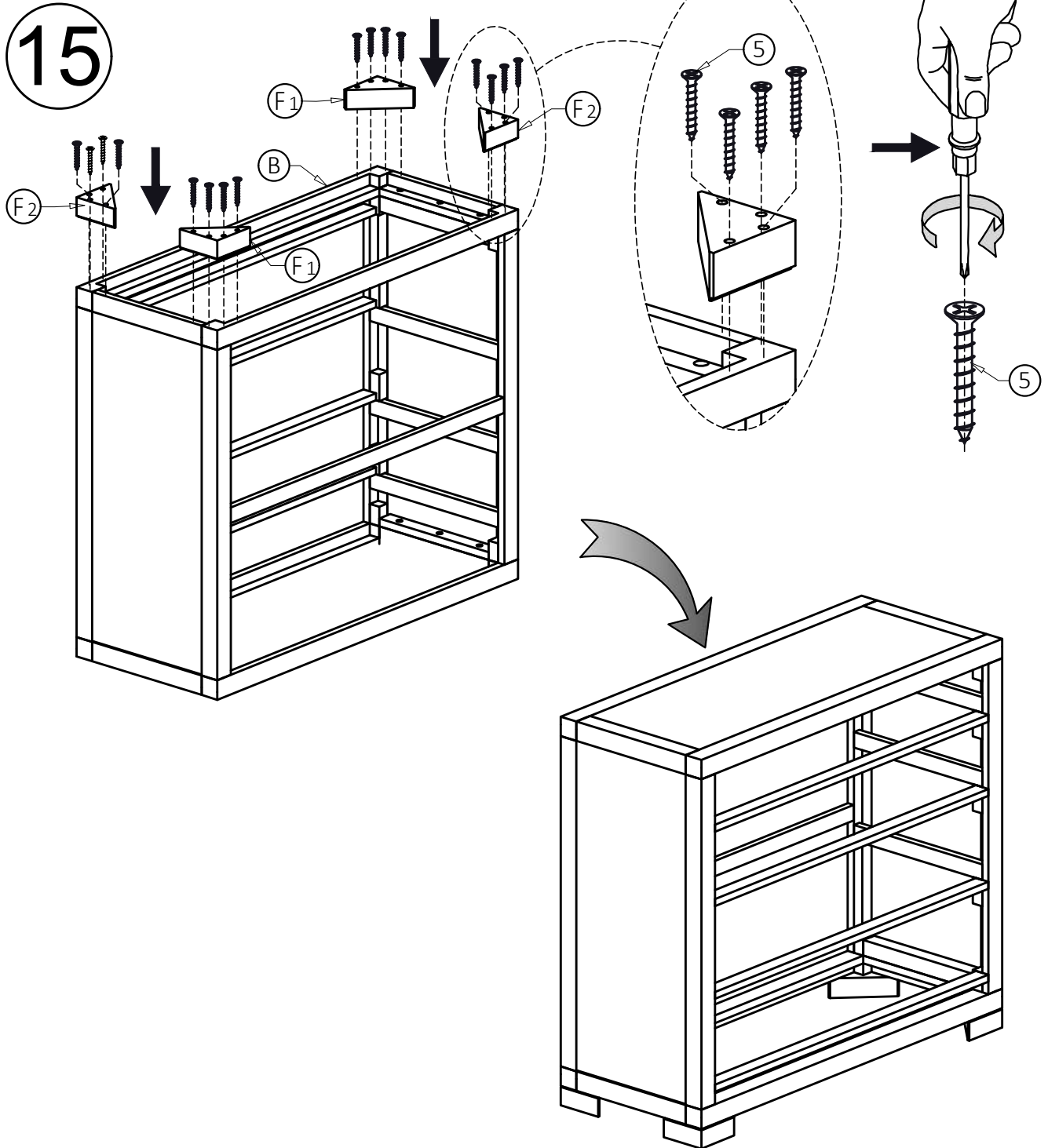
14



BANAK

TRIBECA

TR-0003

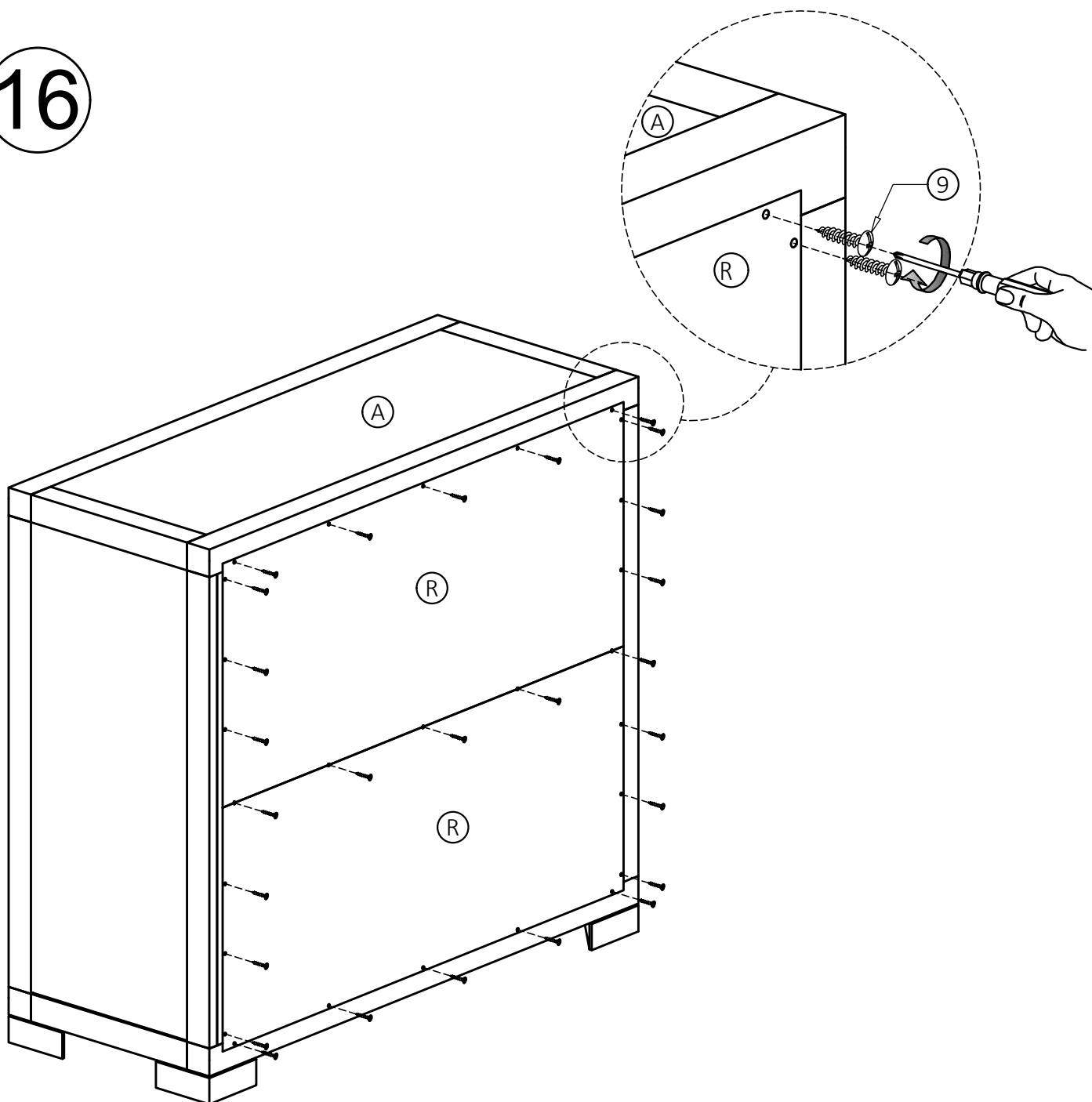


BANAK

TRIBECA

TR-0003

16

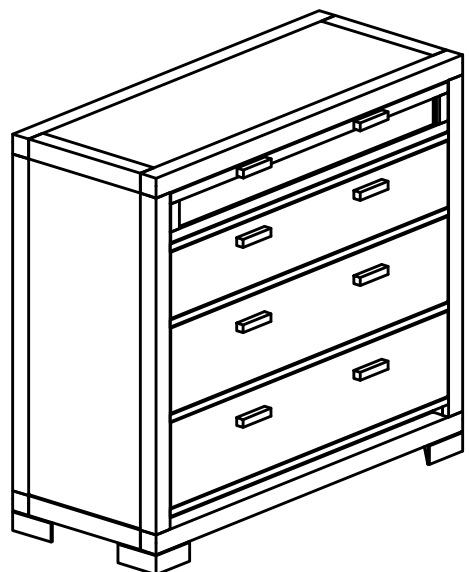
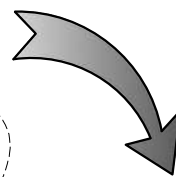
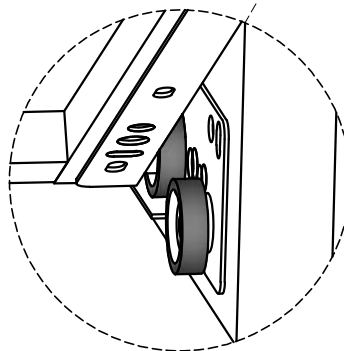
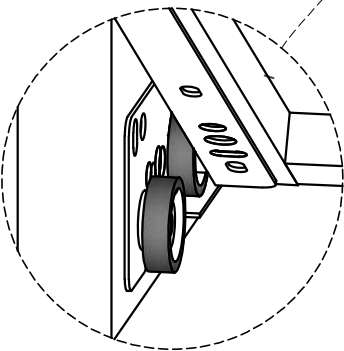
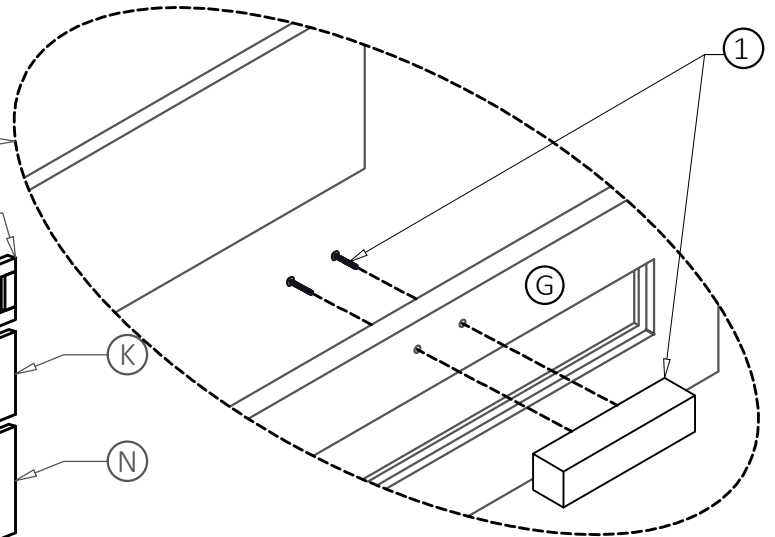
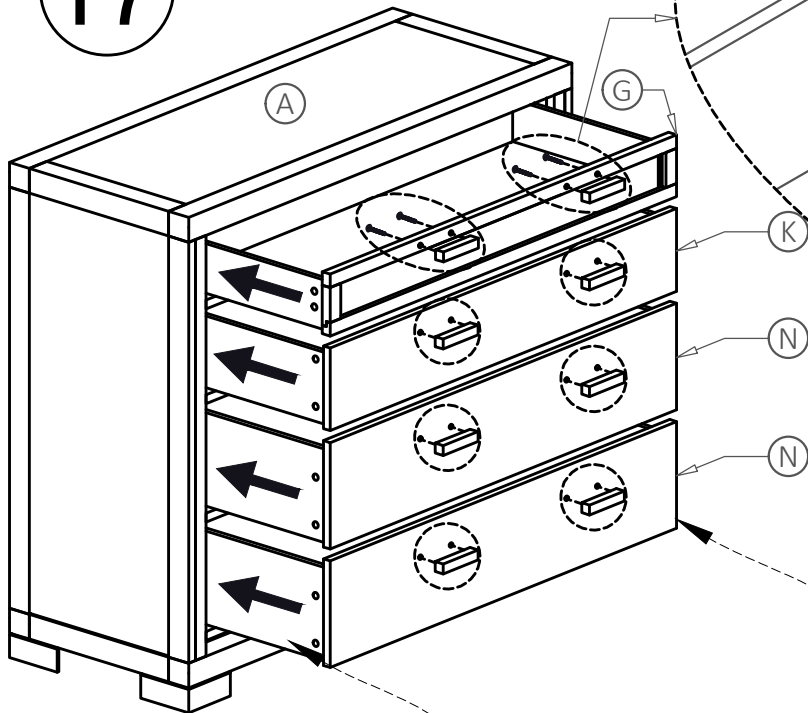


BANAK

TRIBECA

TR-0003

17



BANAK

TRIBECA

TR-0003

18

