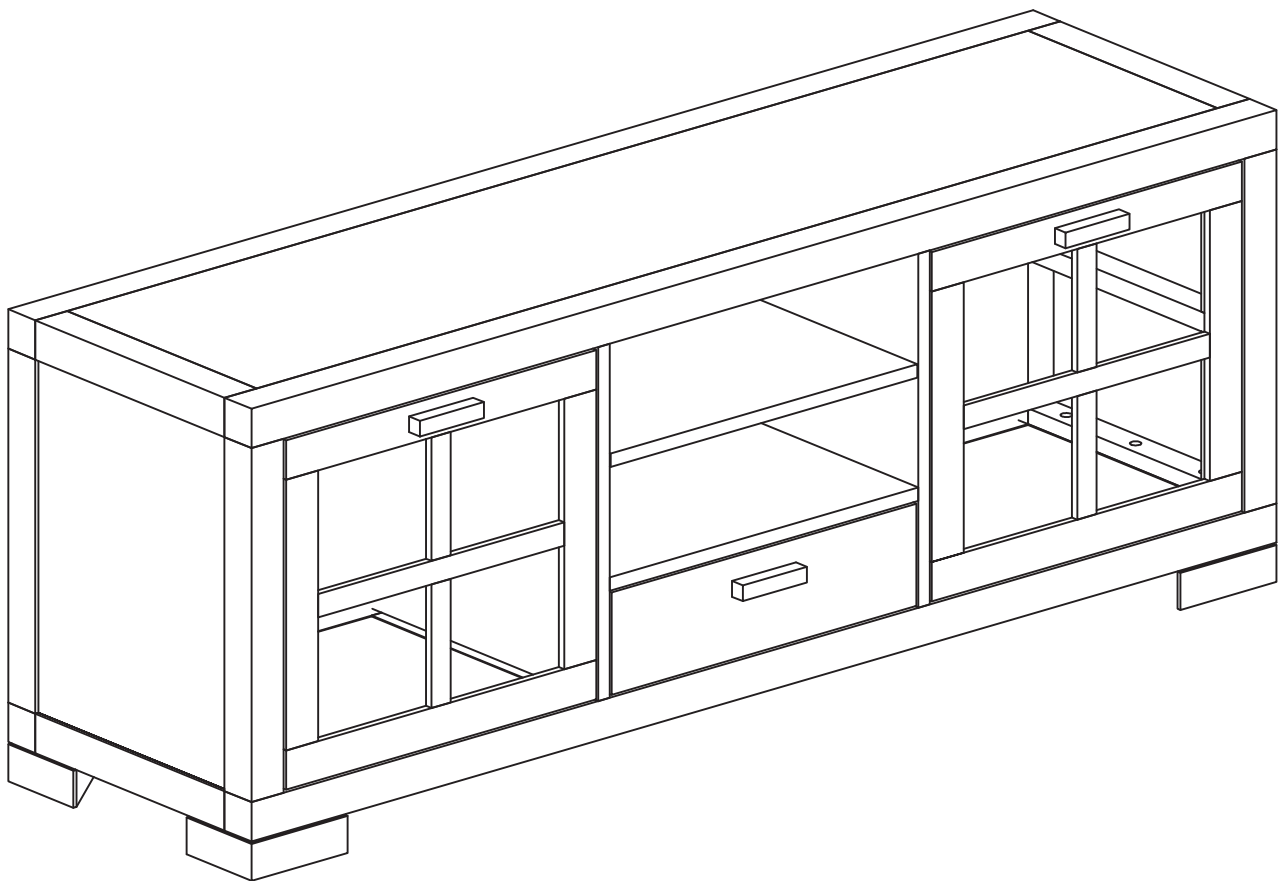


# BANAK

# TRIBECA

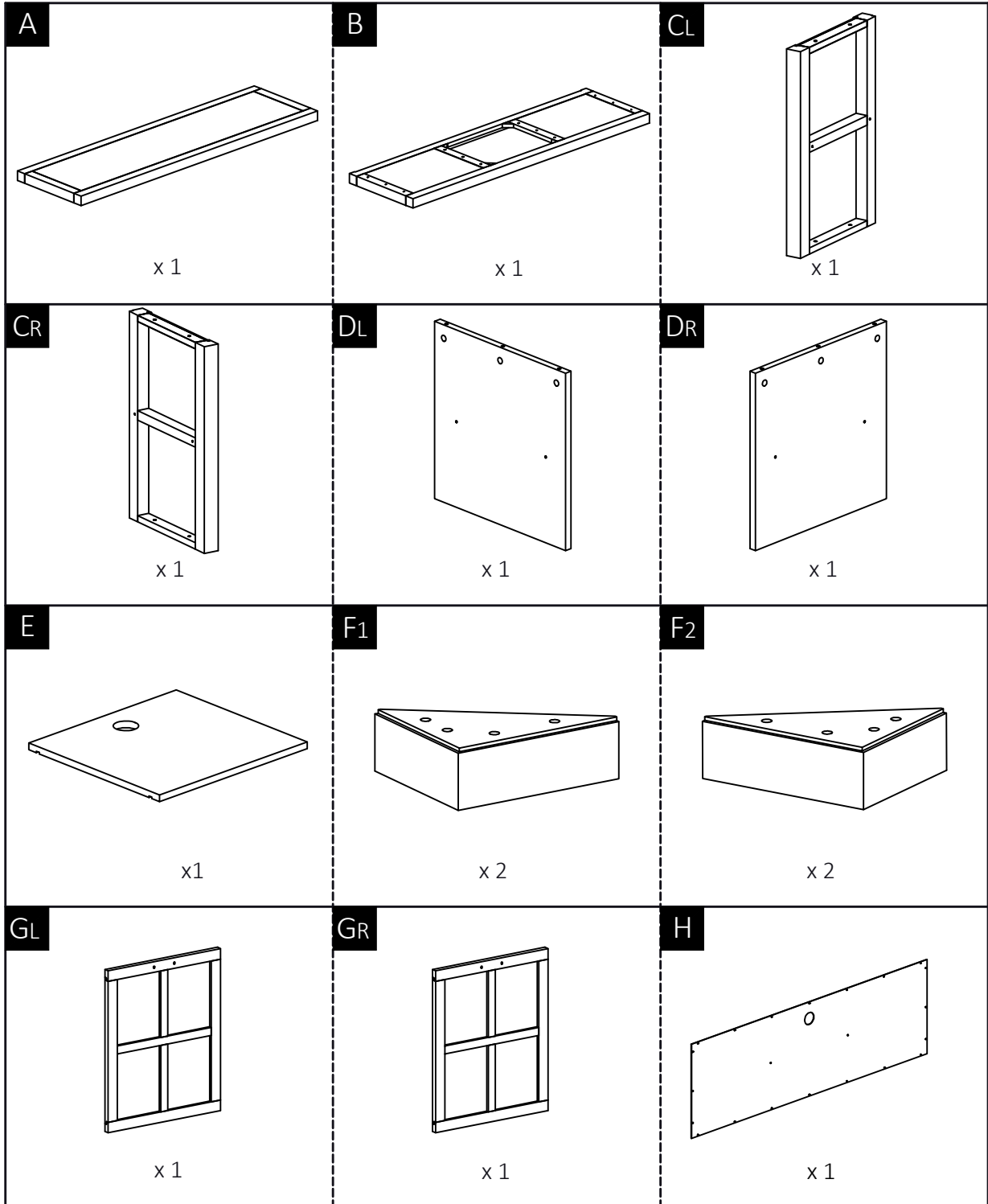
TR-0006



# BANAK

# TRIBECA

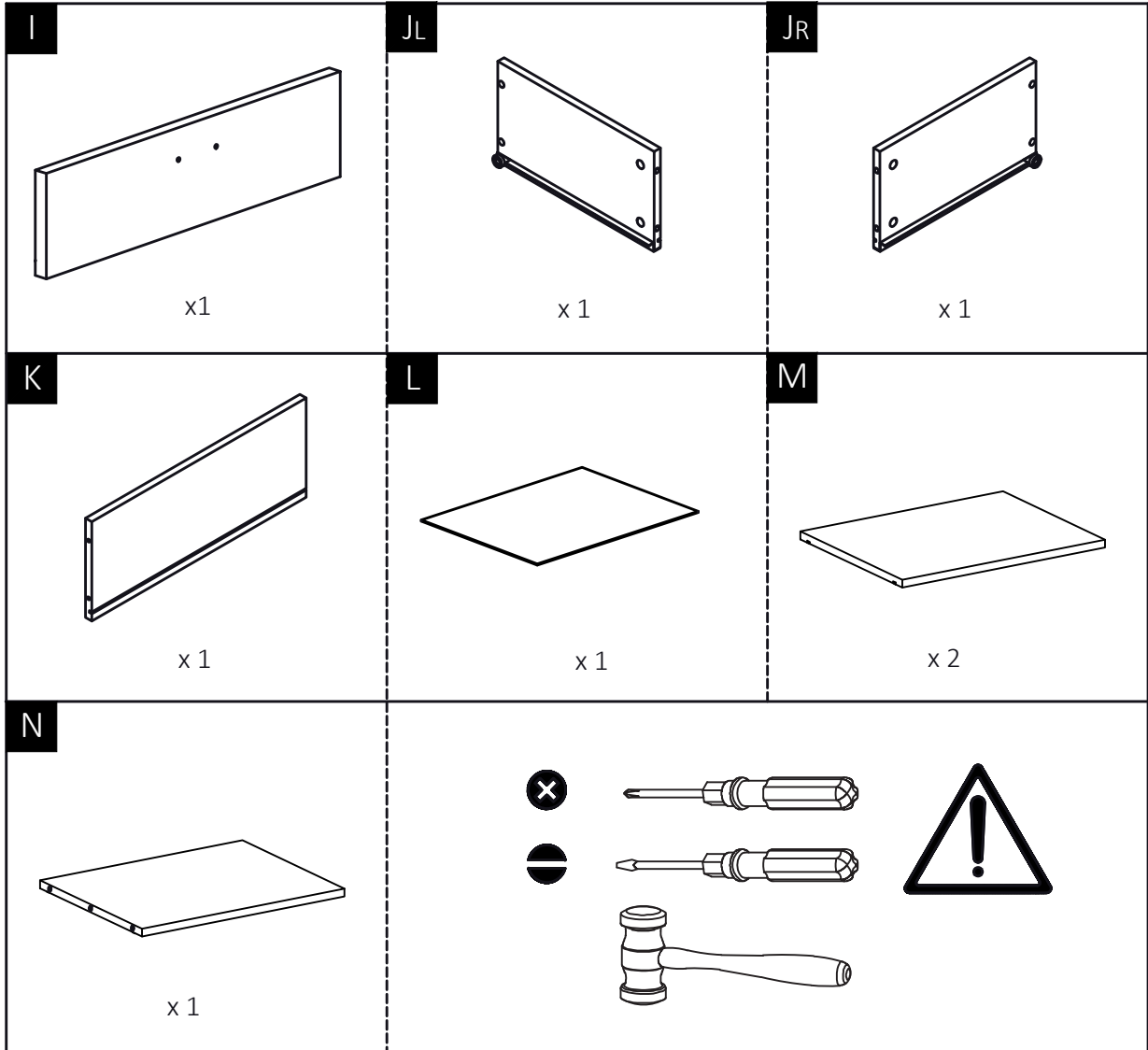
TR-0006



# BANAK

# TRIBECA


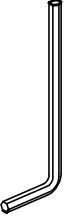
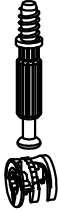
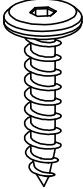
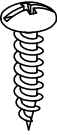
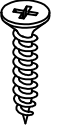

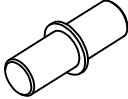
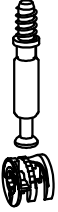

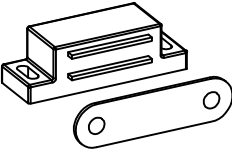
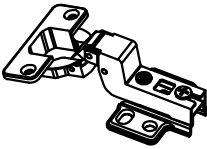
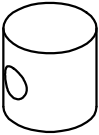
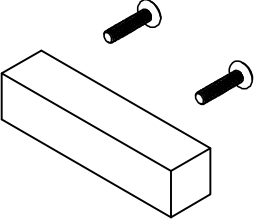

TR-0006



# BANAK

# TRIBECA

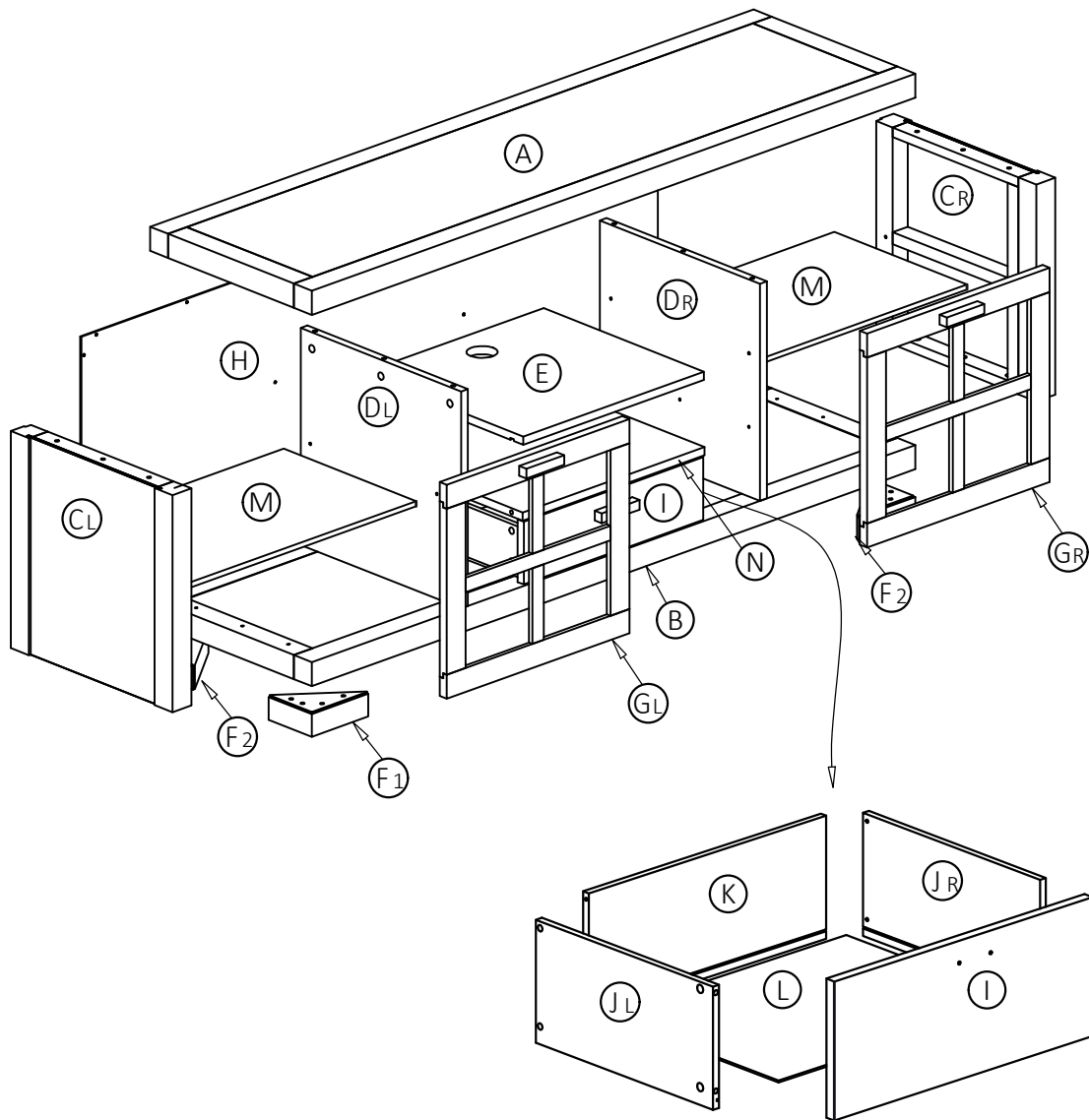
TR-0006

<p>1</p>  <p>x 6</p>	<p>2</p>  <p>x 1</p>	<p>3</p>  <p>x 12</p>	<p>4</p>  <p>M6 X 30mm x 18</p>
<p>5</p>  <p>M4 X 15mm x 22</p>	<p>6</p>  <p>M3 X 15mm x 8</p>	<p>7</p>  <p>M4 X 30mm x 4</p>	<p>8</p>  <p>x 12</p>
<p>9</p>  <p>x 4</p>	<p>10</p>  <p>M4 X 15mm x 24</p>	<p>11</p>  <p>x 2</p>	<p>12</p>  <p>x 4</p>
<p>13</p>  <p>M8 X 8mm x 4</p>	<p>14</p>  <p>x 3</p>	<p>15</p>  <p>M4 X 45mm x 16</p>	

# BANAK

# TRIBECA

TR-0006

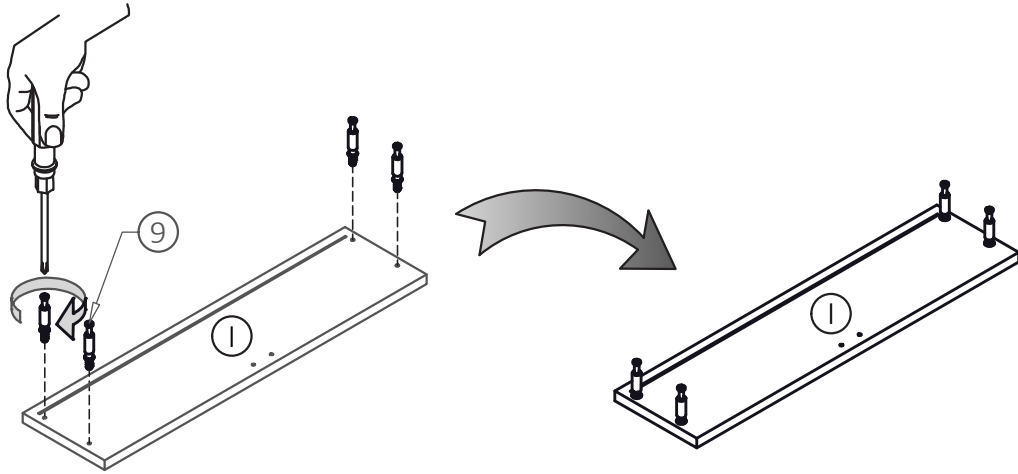


# BANAK

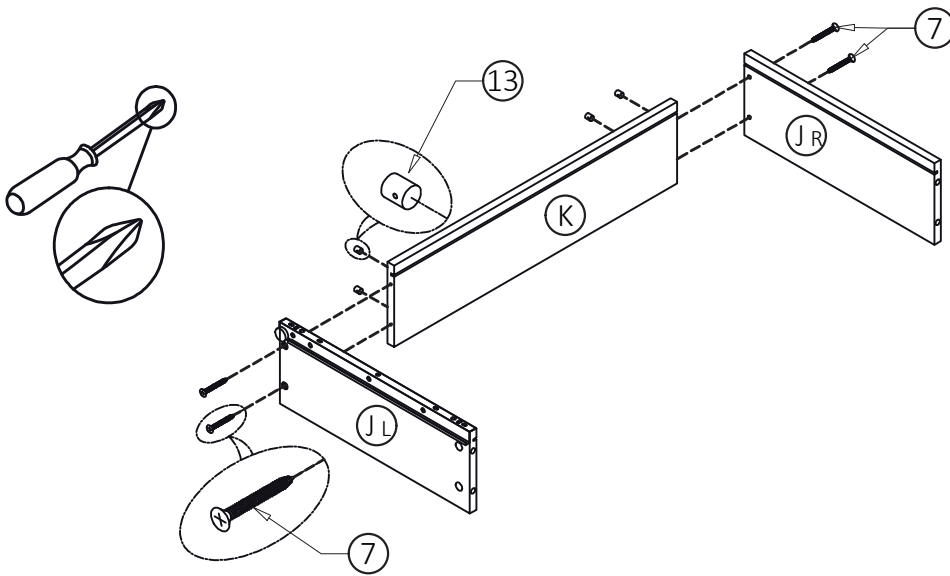
# TRIBECA

TR-0006

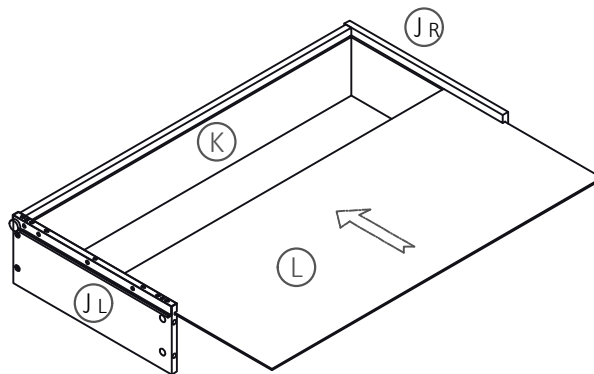
1



2



3

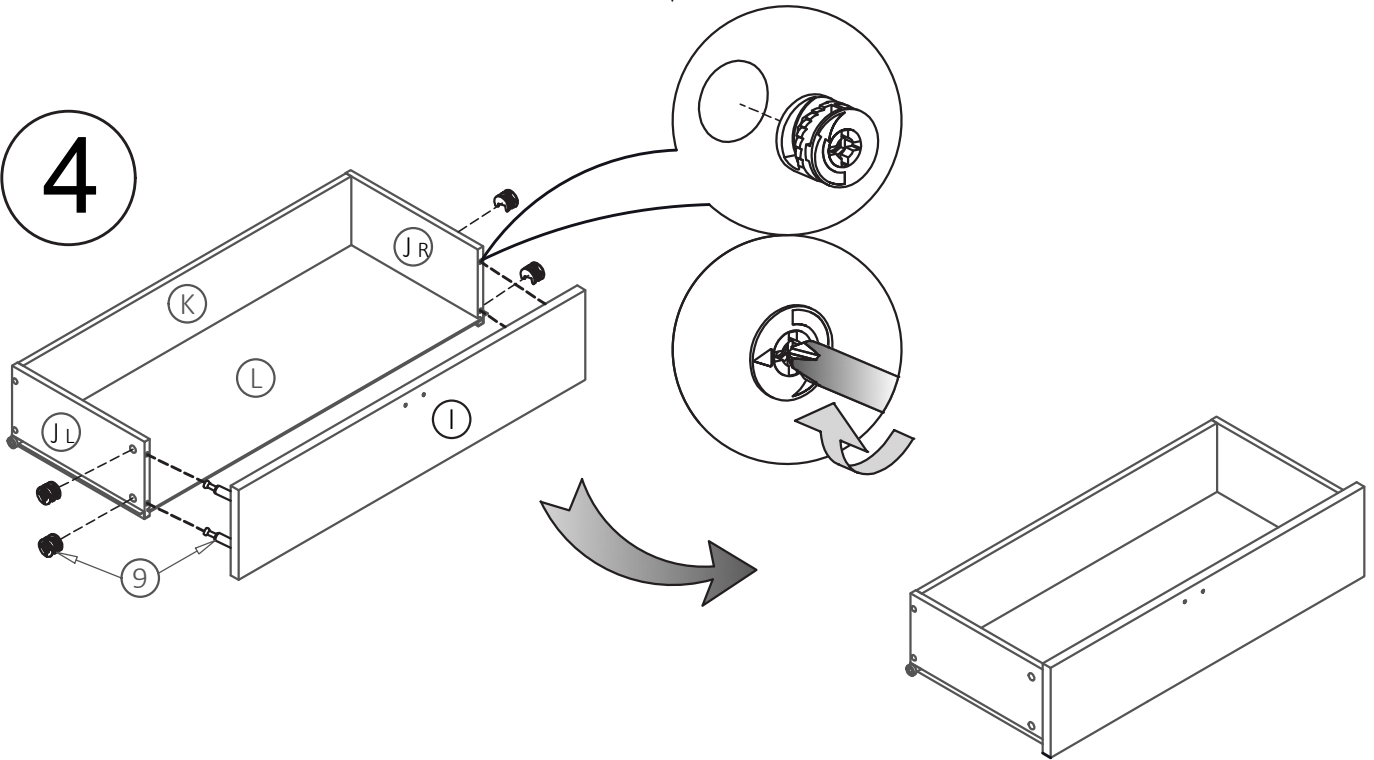


# BANAK

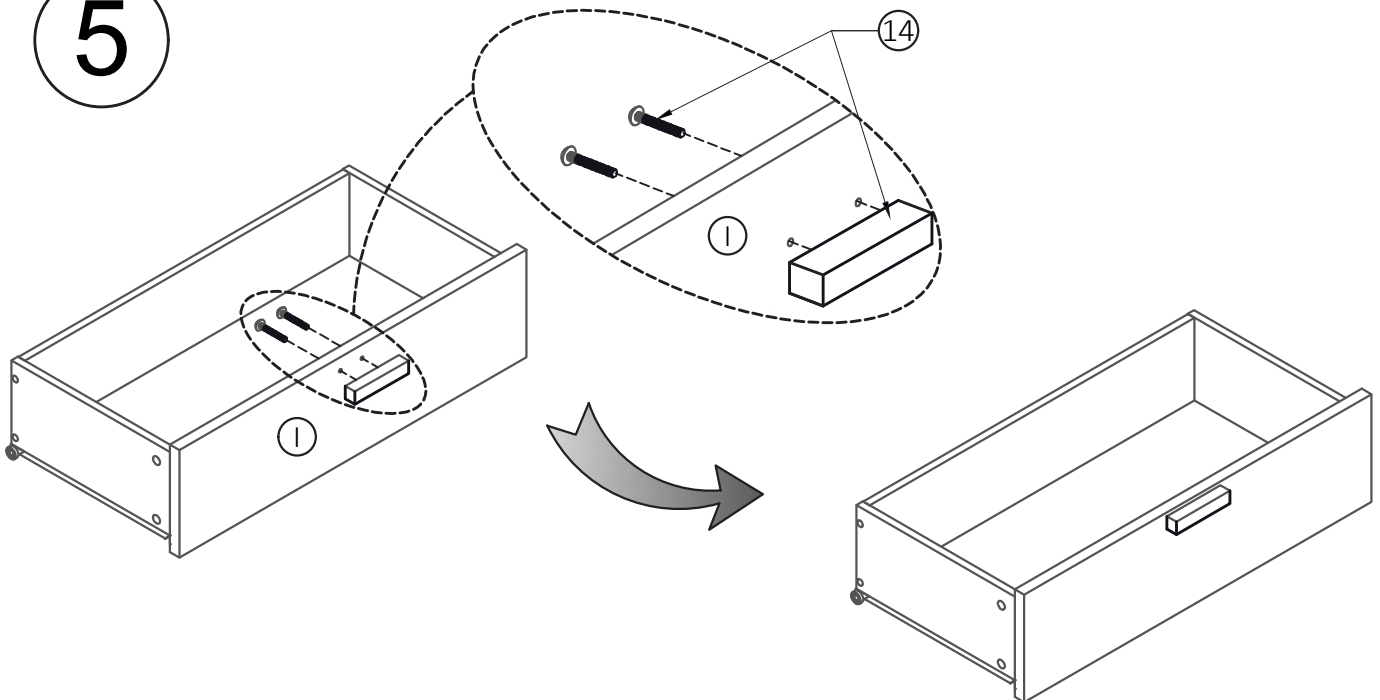
# TRIBECA

TR-0006

4



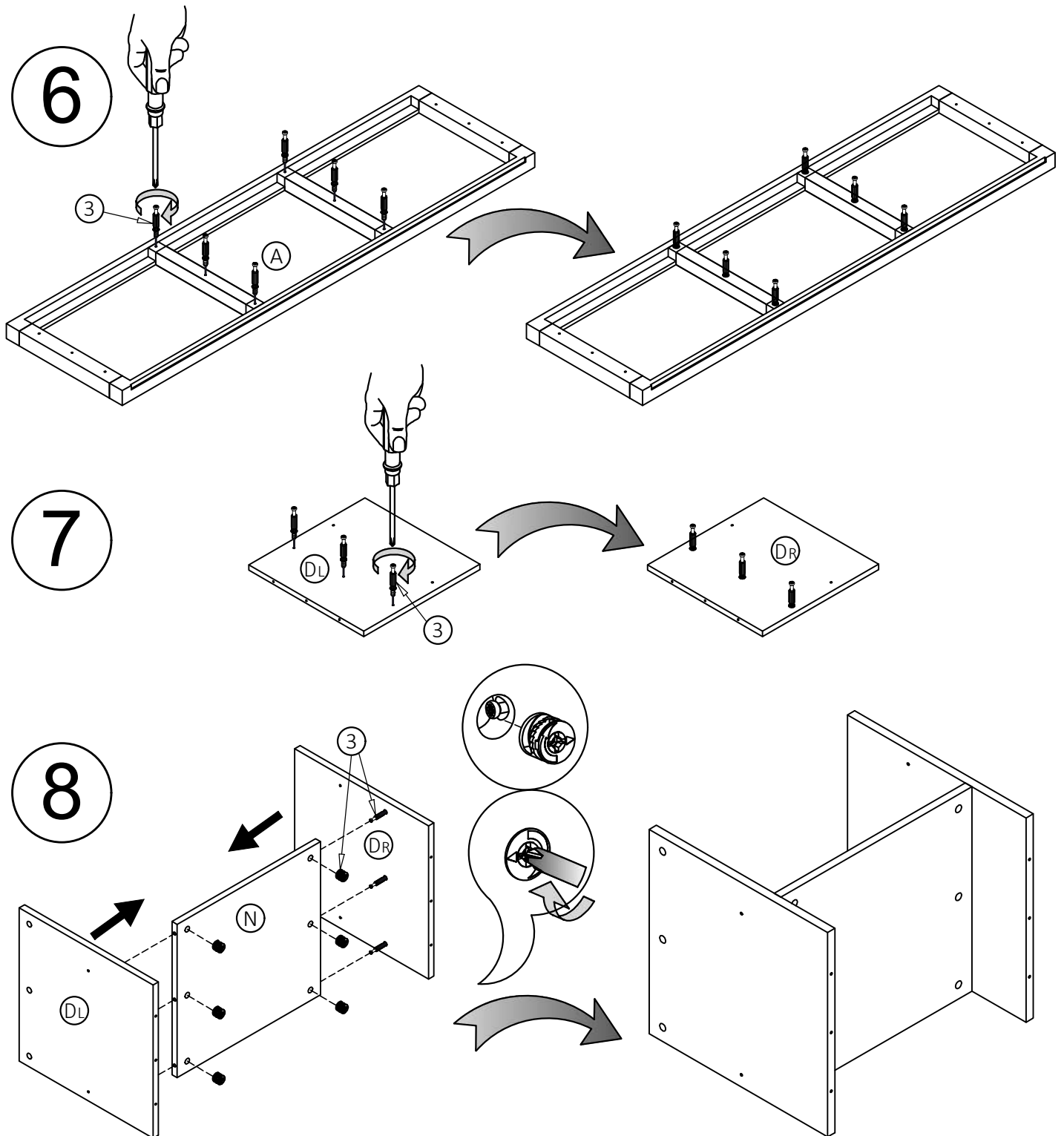
5



# BANAK

# TRIBECA

TR-0006



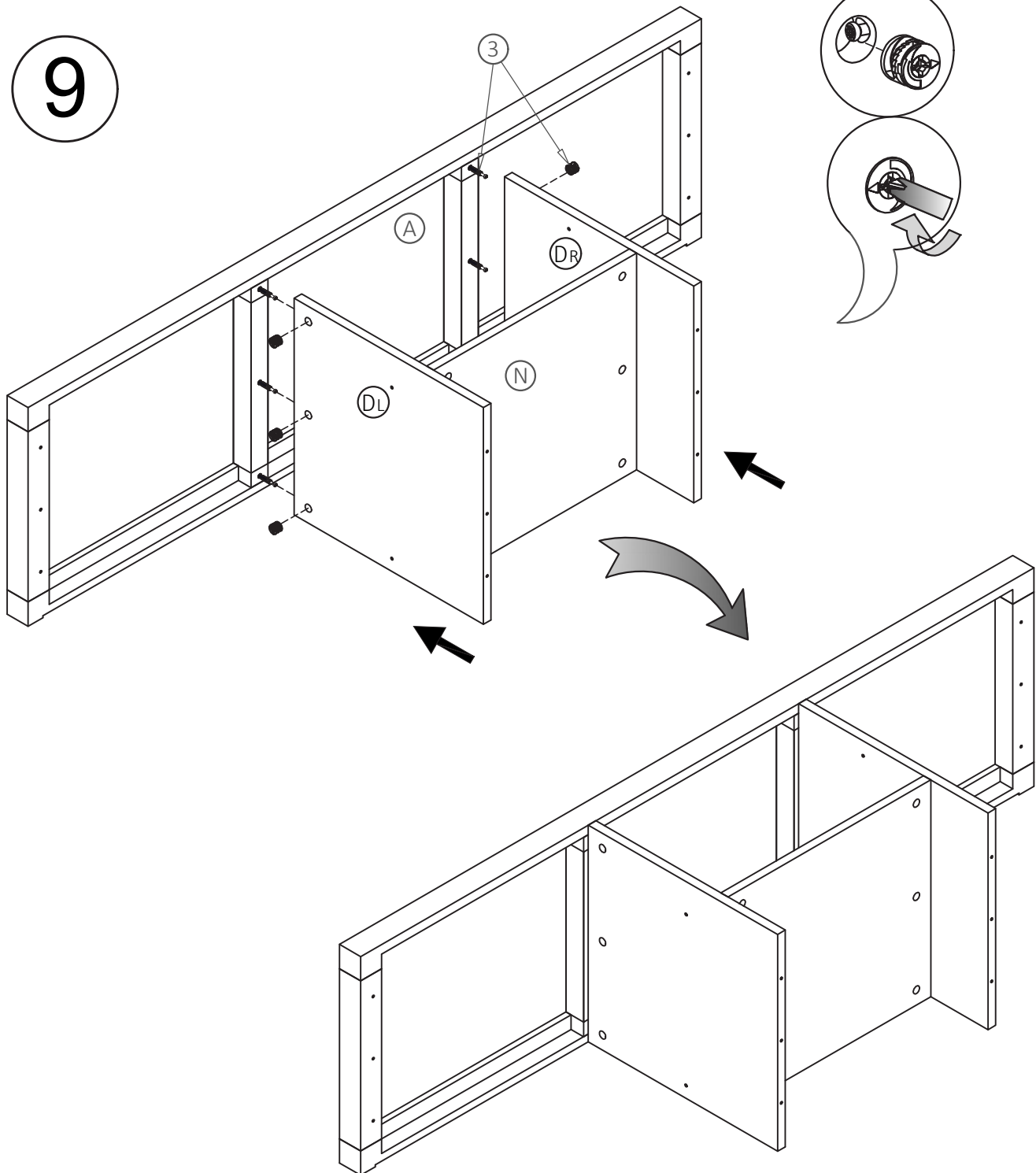


# BANAK

# TRIBECA

TR-0006

9

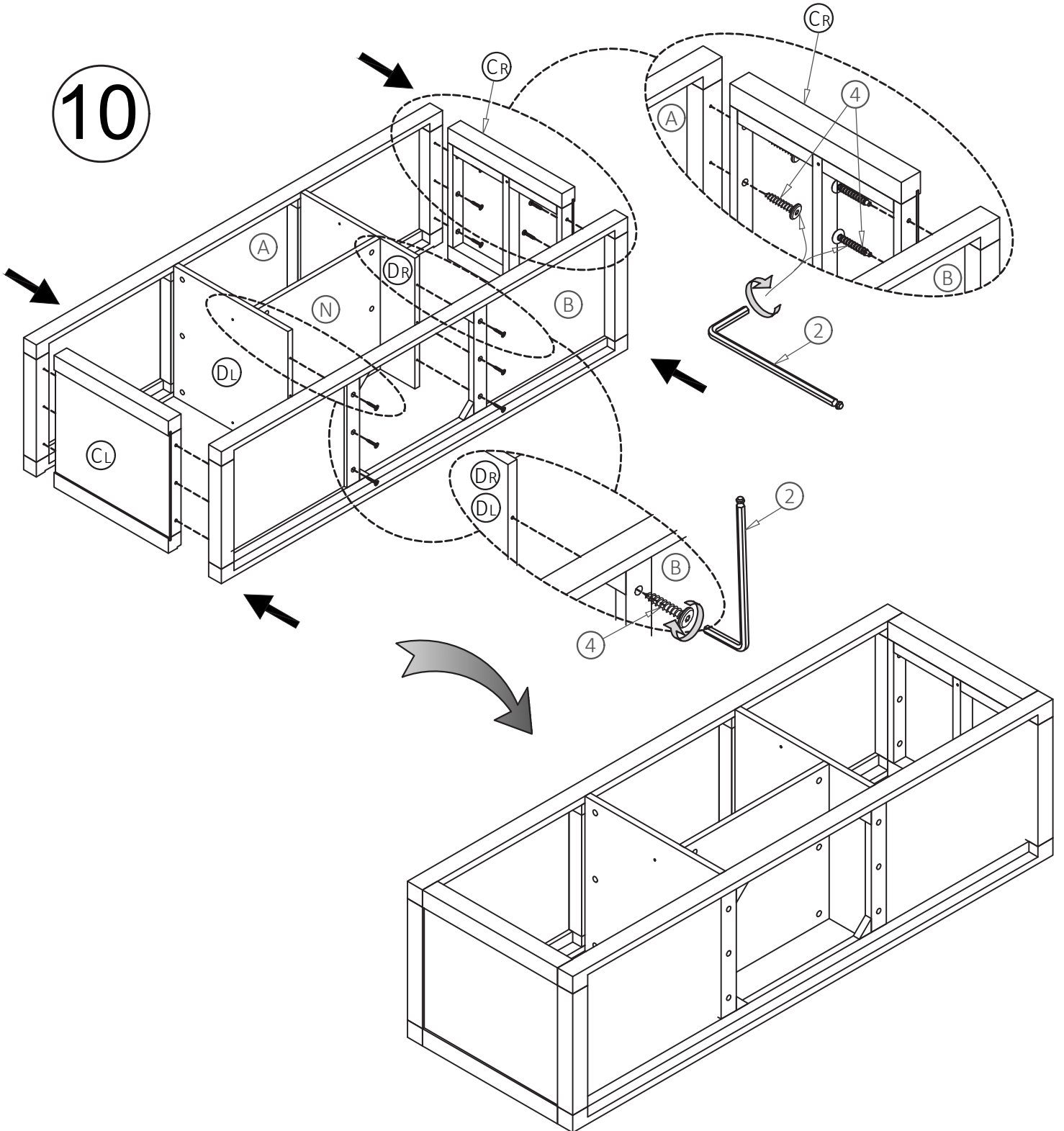


# BANAK

# TRIBECA

TR-0006

10

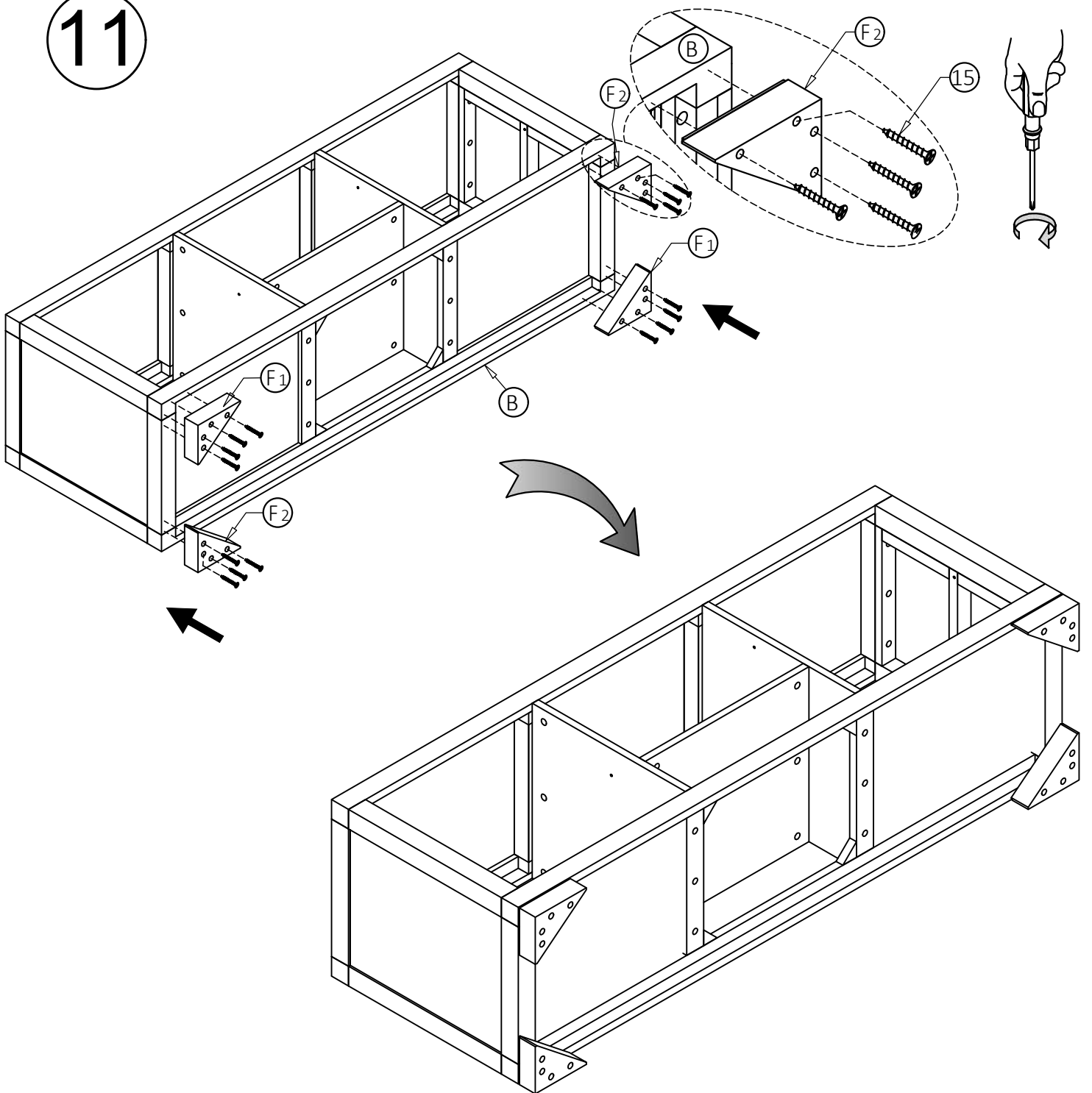


# BANAK

# TRIBECA

TR-0006

11

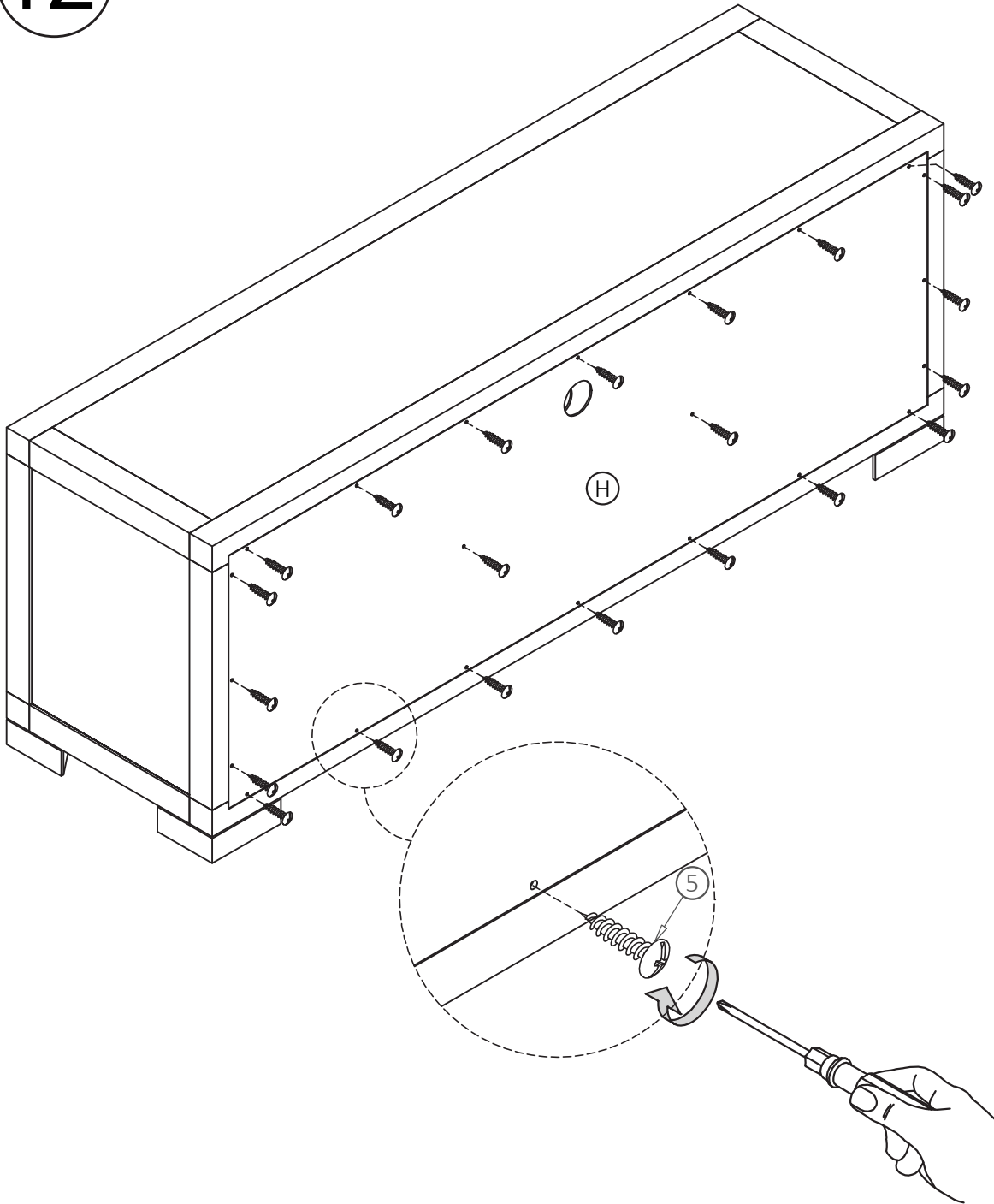


# BANAK

# TRIBECA

TR-0006

12

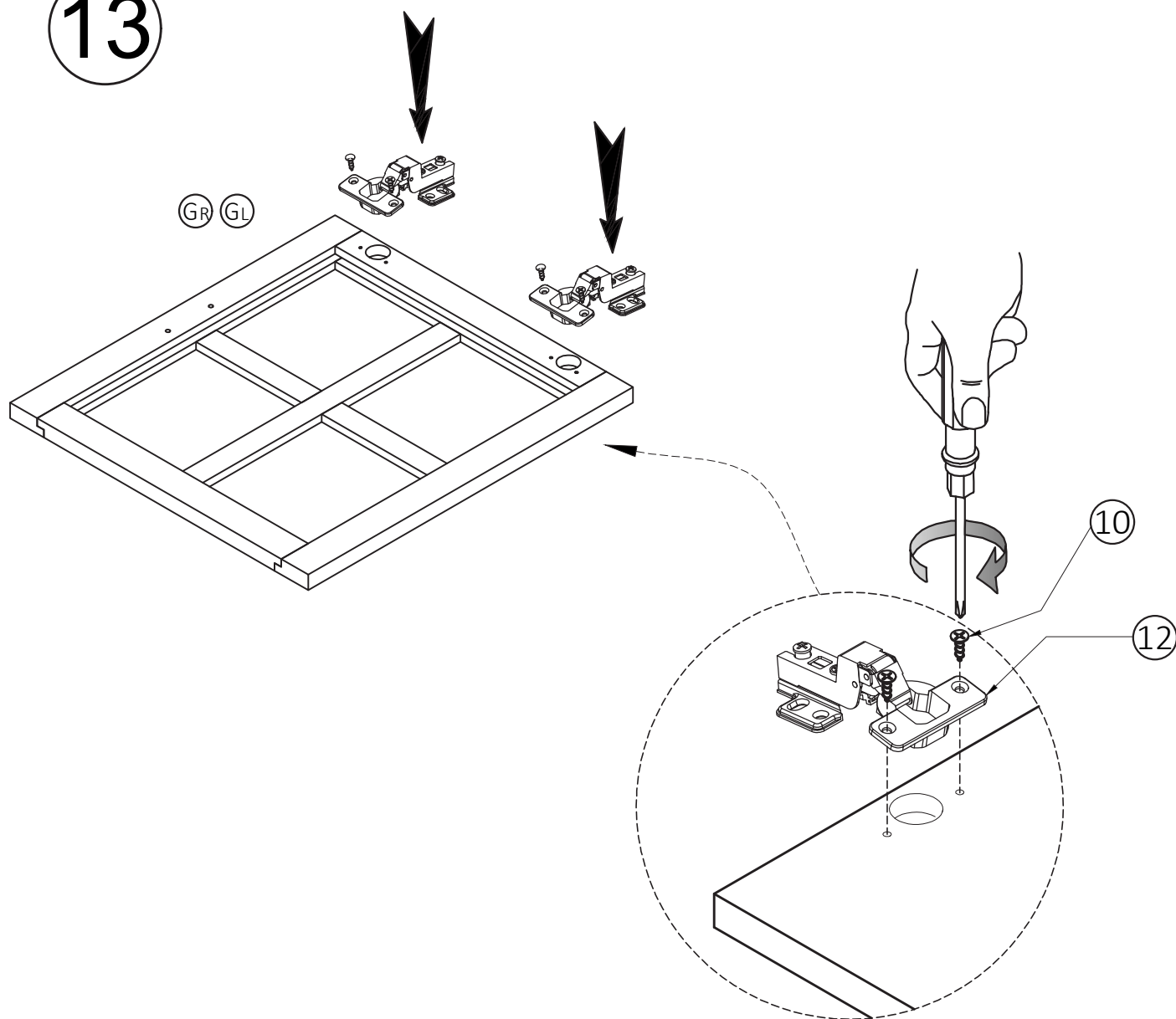


# BANAK

# TRIBECA

TR-0006

13

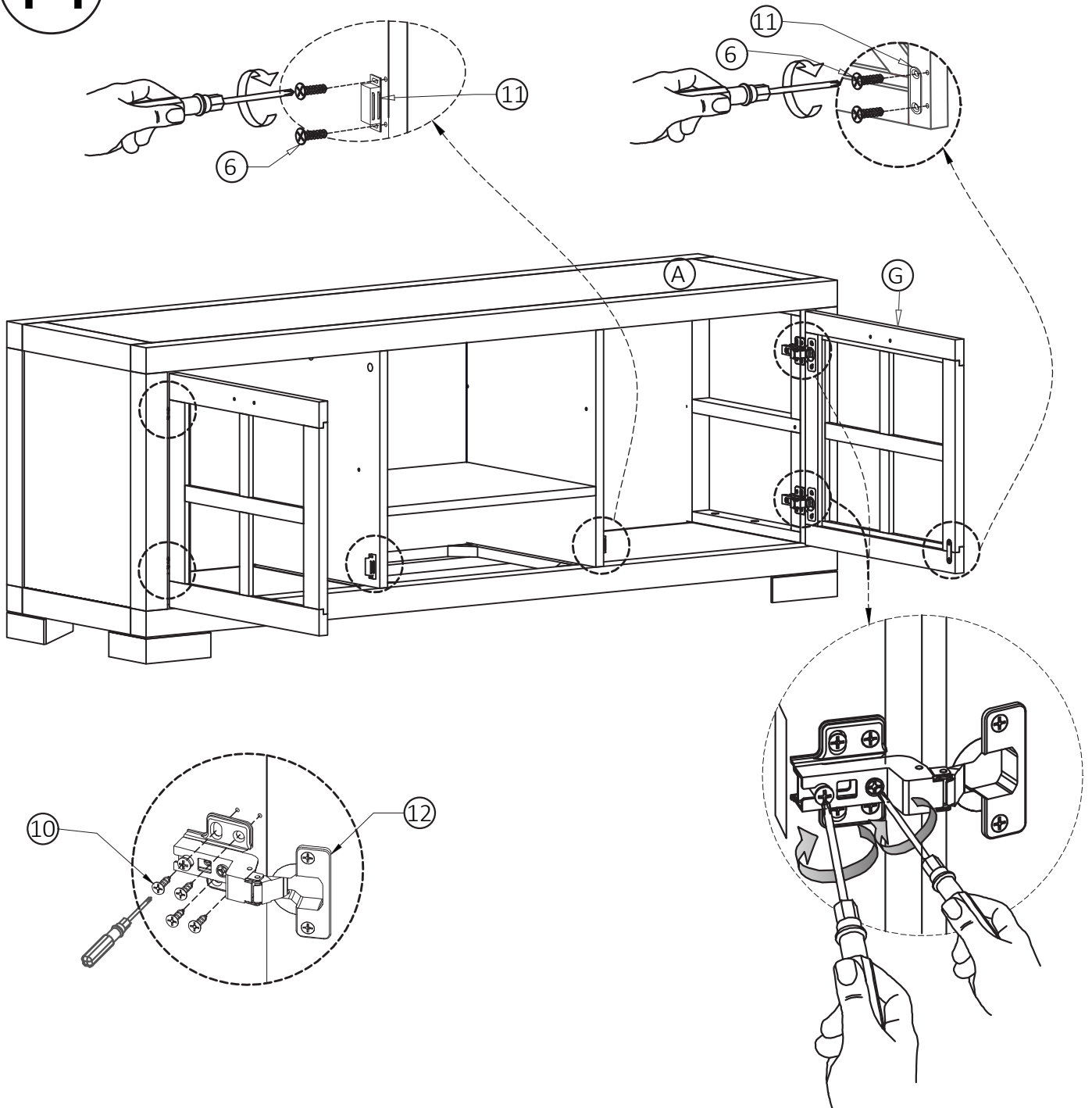


# BANAK

# TRIBECA

TR-0006

14

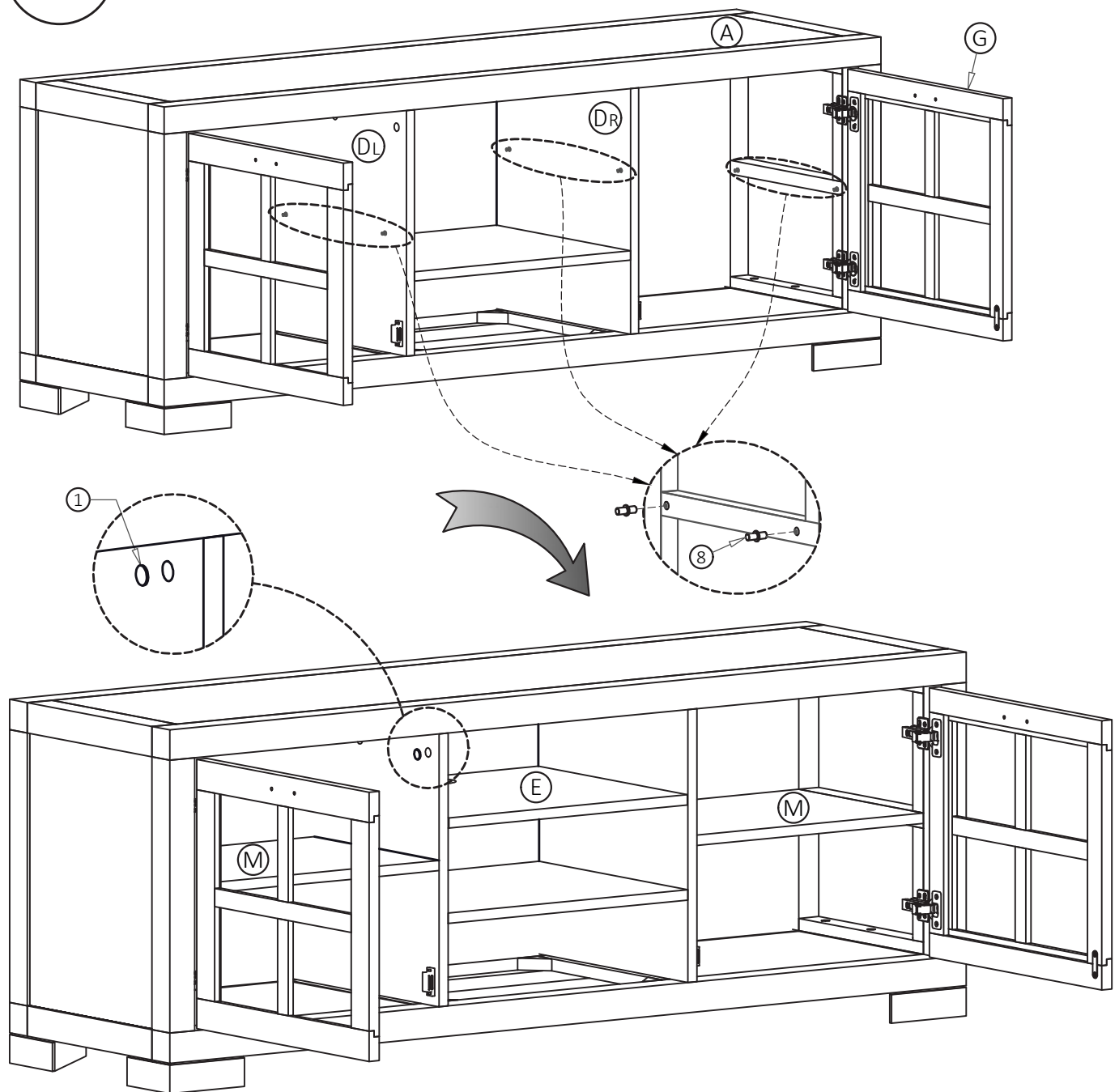


# BANAK

# TRIBECA

TR-0006

15



# BANAK

# TRIBECA

TR-0006

16

