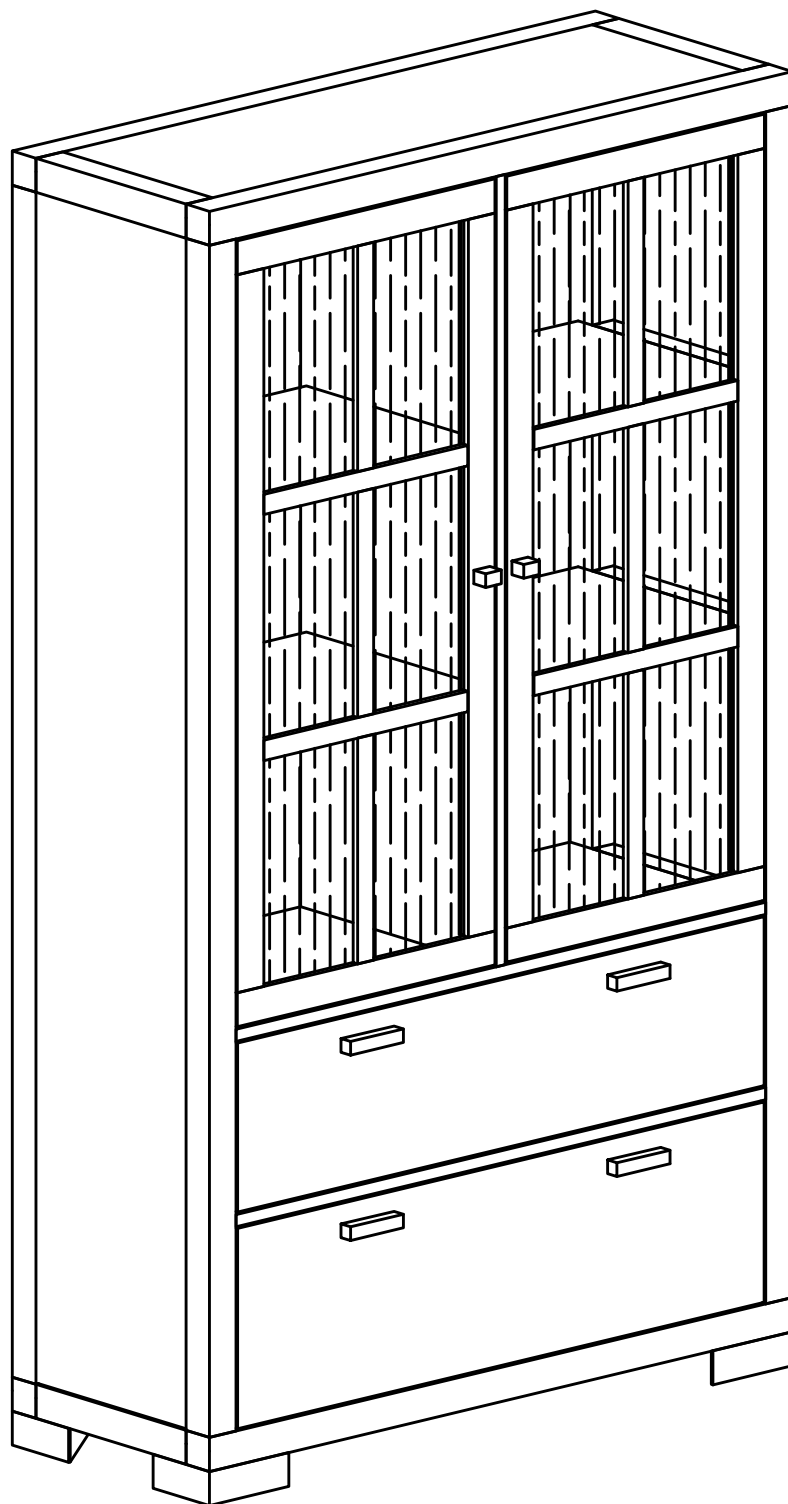


BANAK

TRIBECA

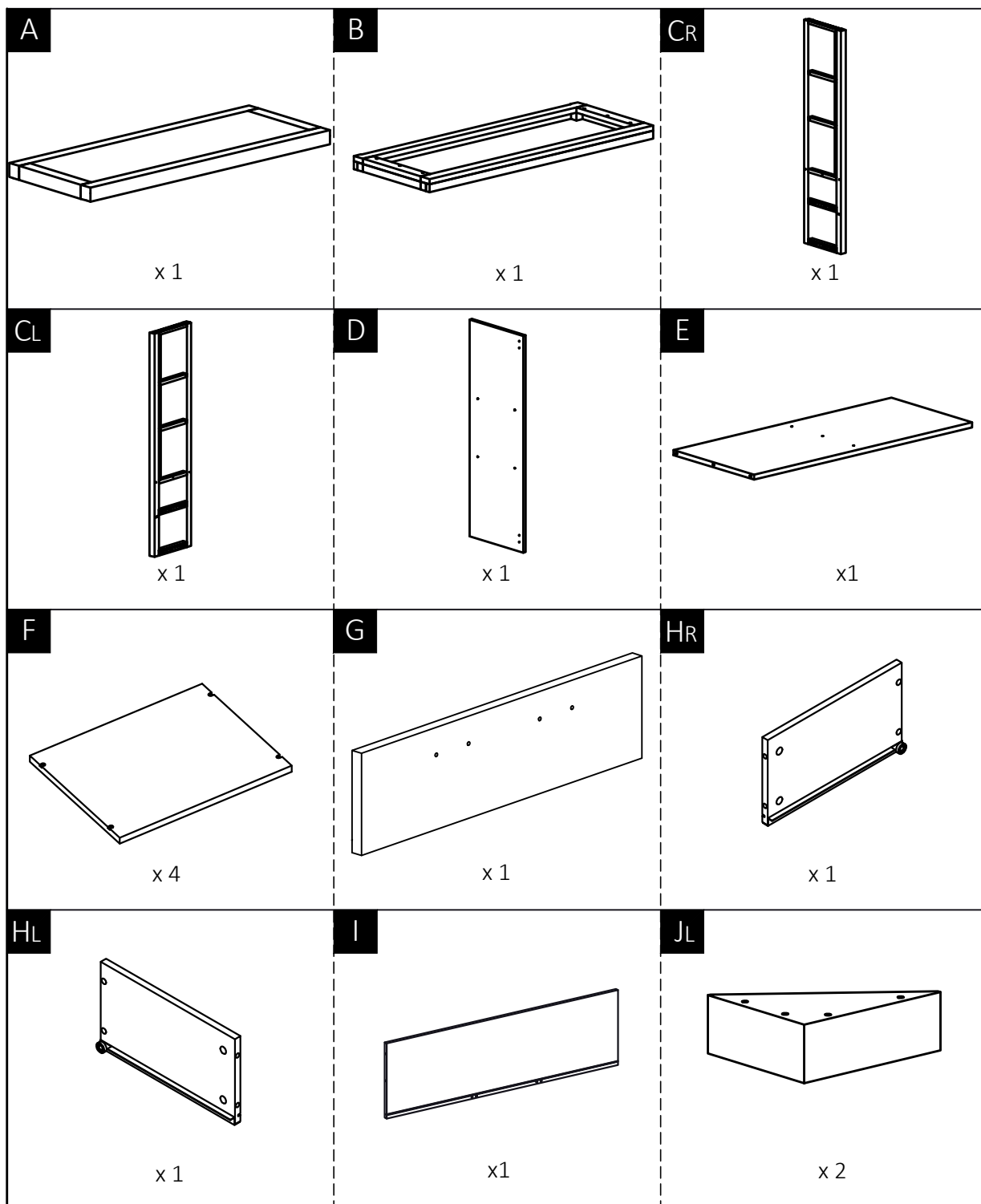
TR-0007



BANAK

TRIBECA

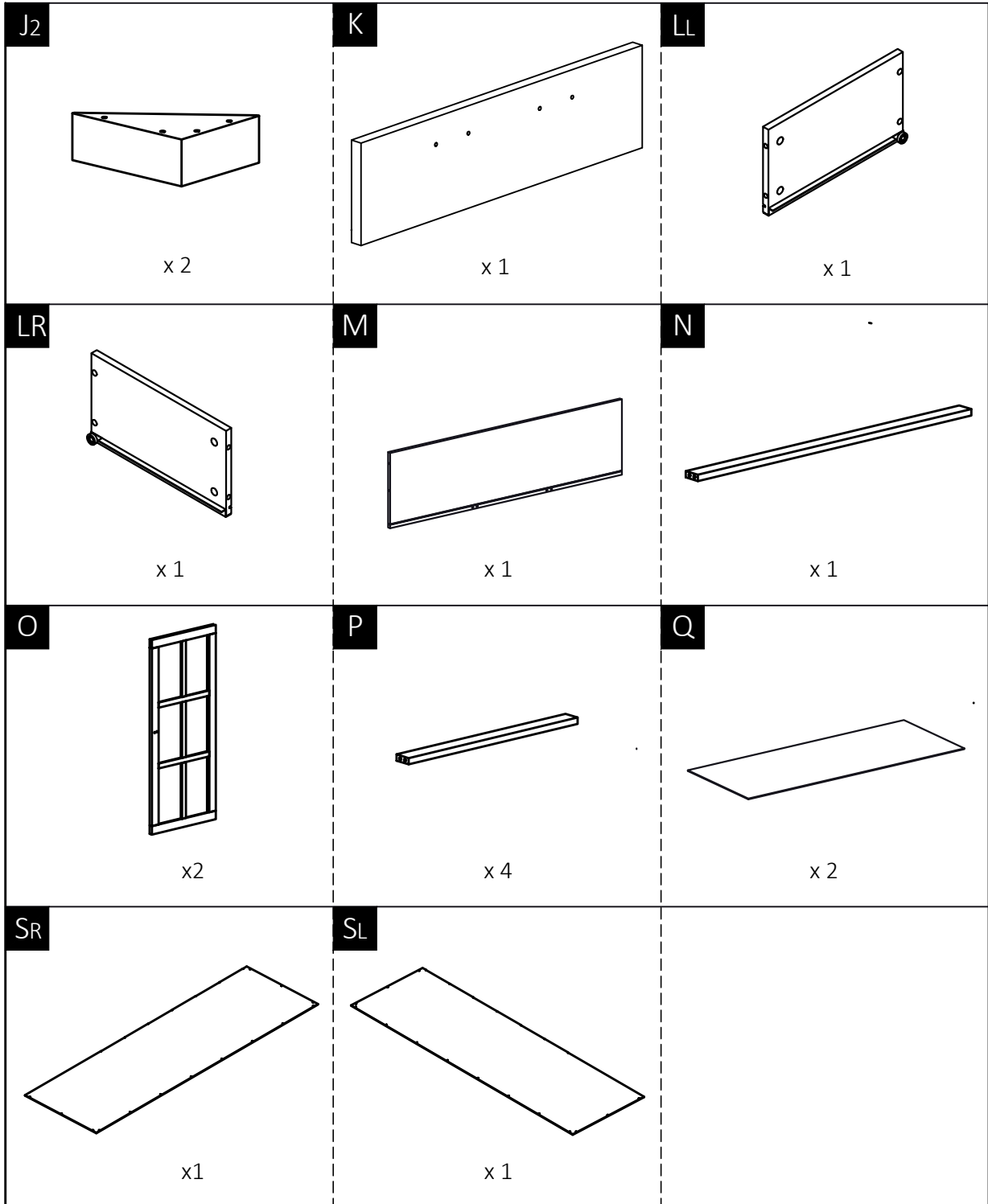
TR-0007



BANAK

TRIBECA


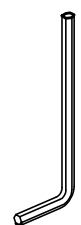
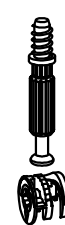
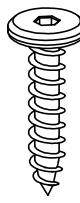
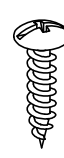


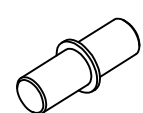
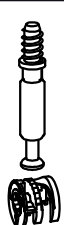

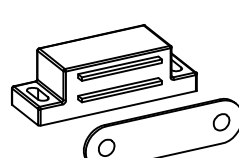
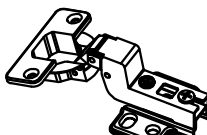
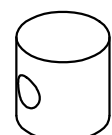
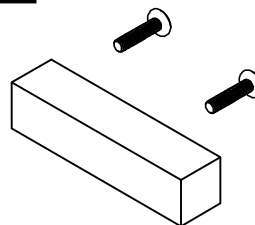


TR-0007



BANAK

TRIBECA

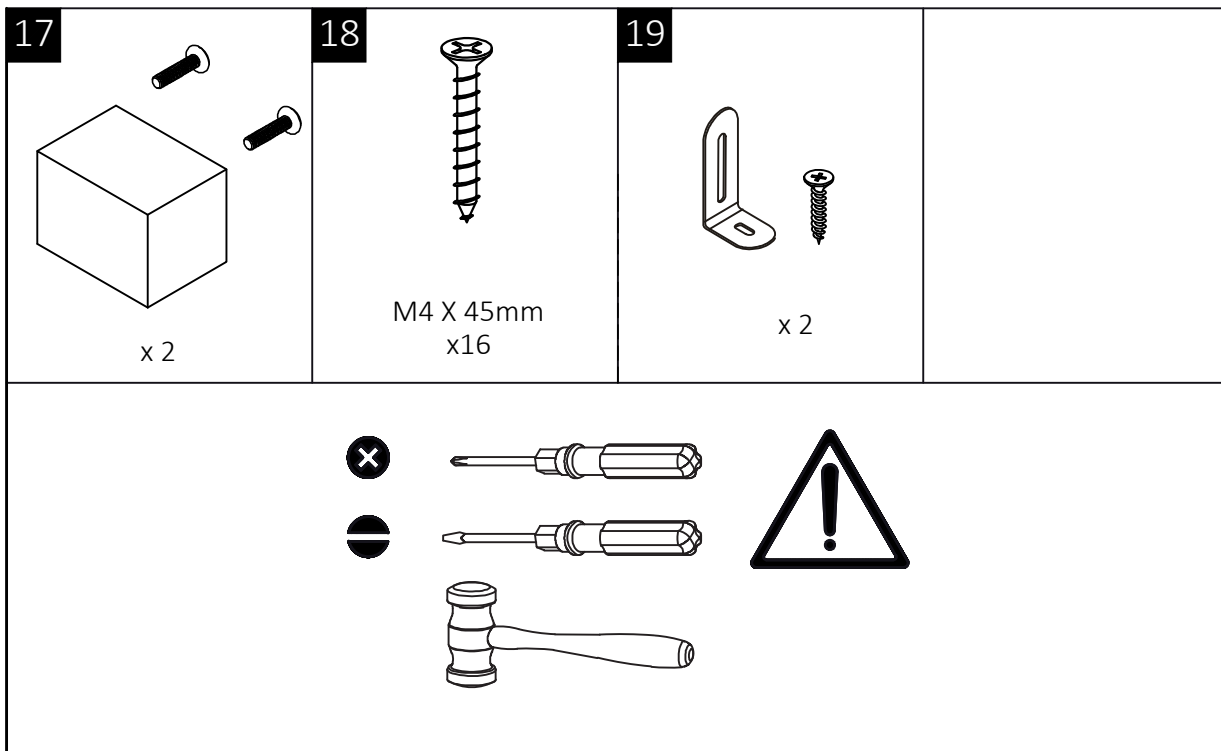
TR-0007

1  Ø8 X 30mm x 4	2  x 1	3  x 12	4  M6 X 30mm x 12
5  M4 X 15mm x 35	6  M3 X 15mm x 16	7  M4 X 30mm x 8	8  x 16
9  x 8	10  M4 X 15mm x 36	11  x 4	12  x 6
13  M8 X 8mm x 8	14  x 4	15  Ø6 X 30mm x 16	16  x 6

BANAK

TRIBECA

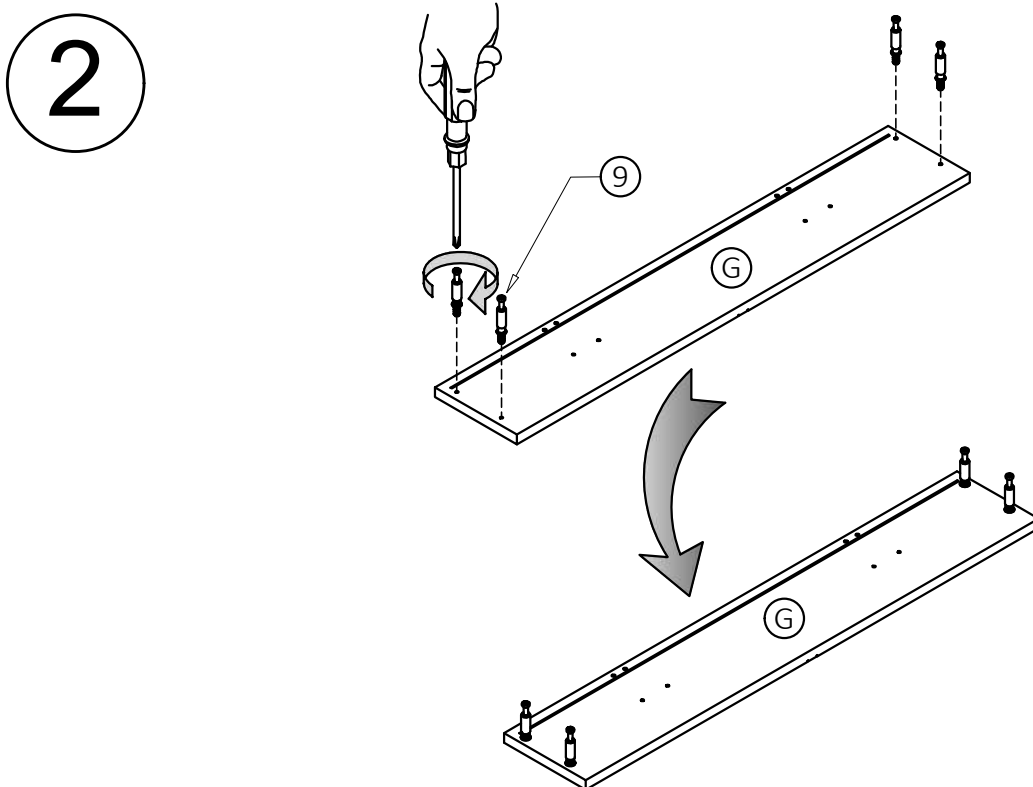
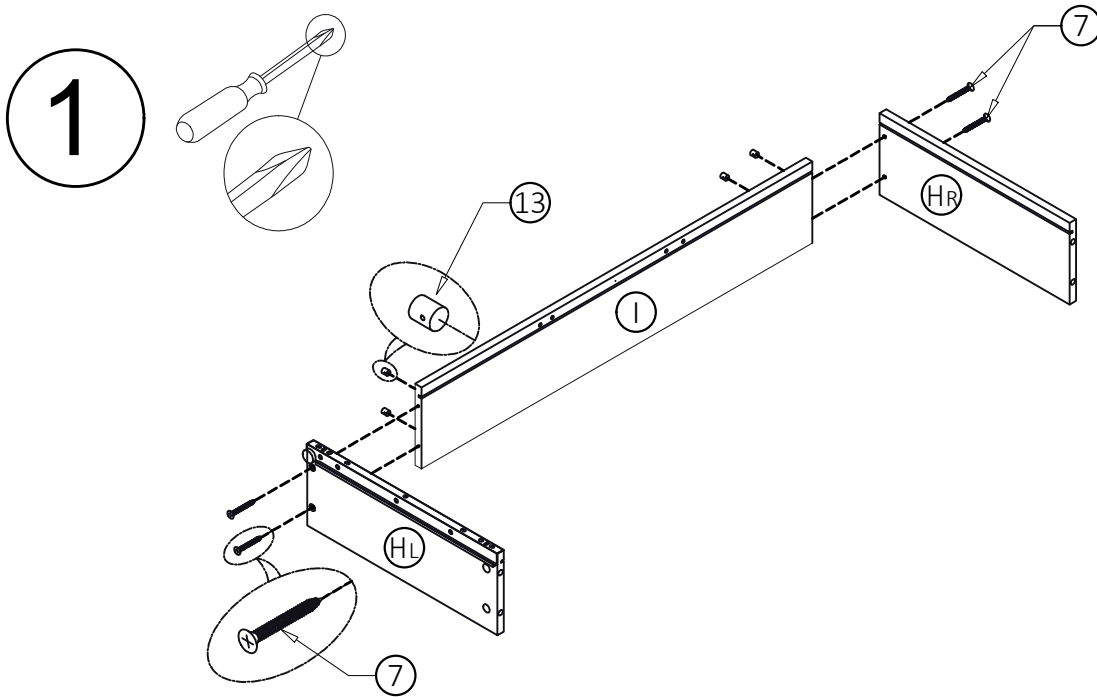
TR-0007



BANAK

TRIBECA

TR-0007

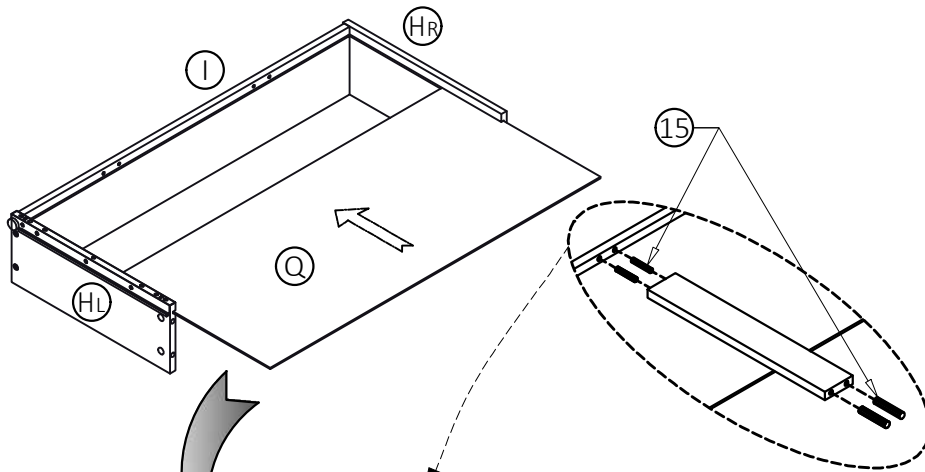


BANAK

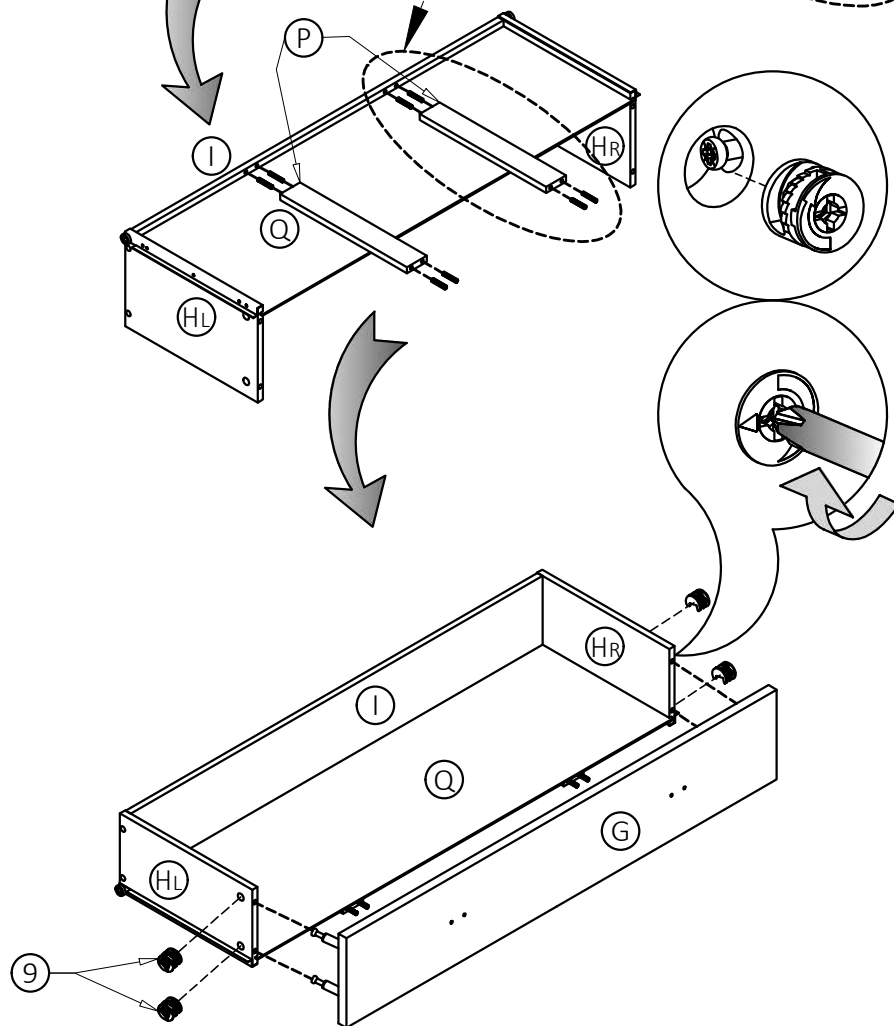
TRIBECA

TR-0007

3



4

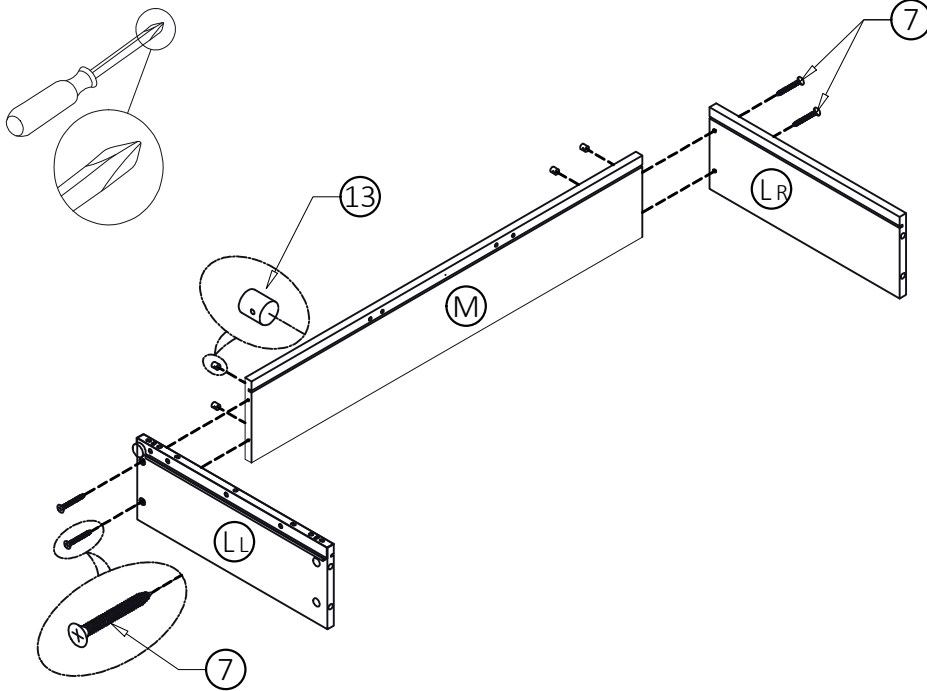


BANAK

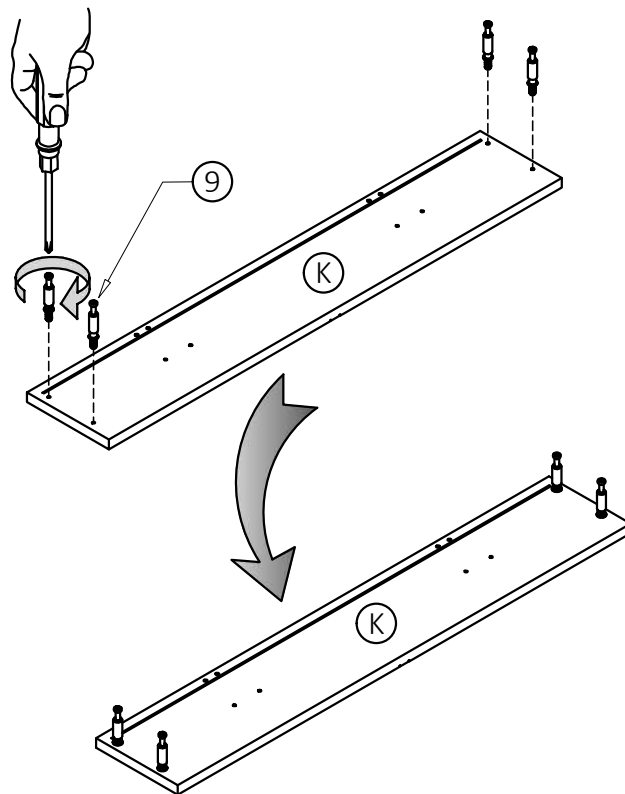
TRIBECA

TR-0007

5



6

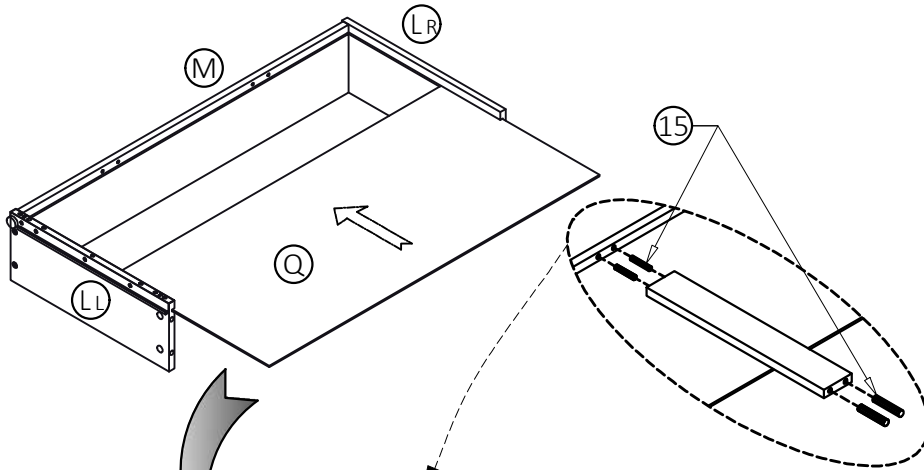


BANAK

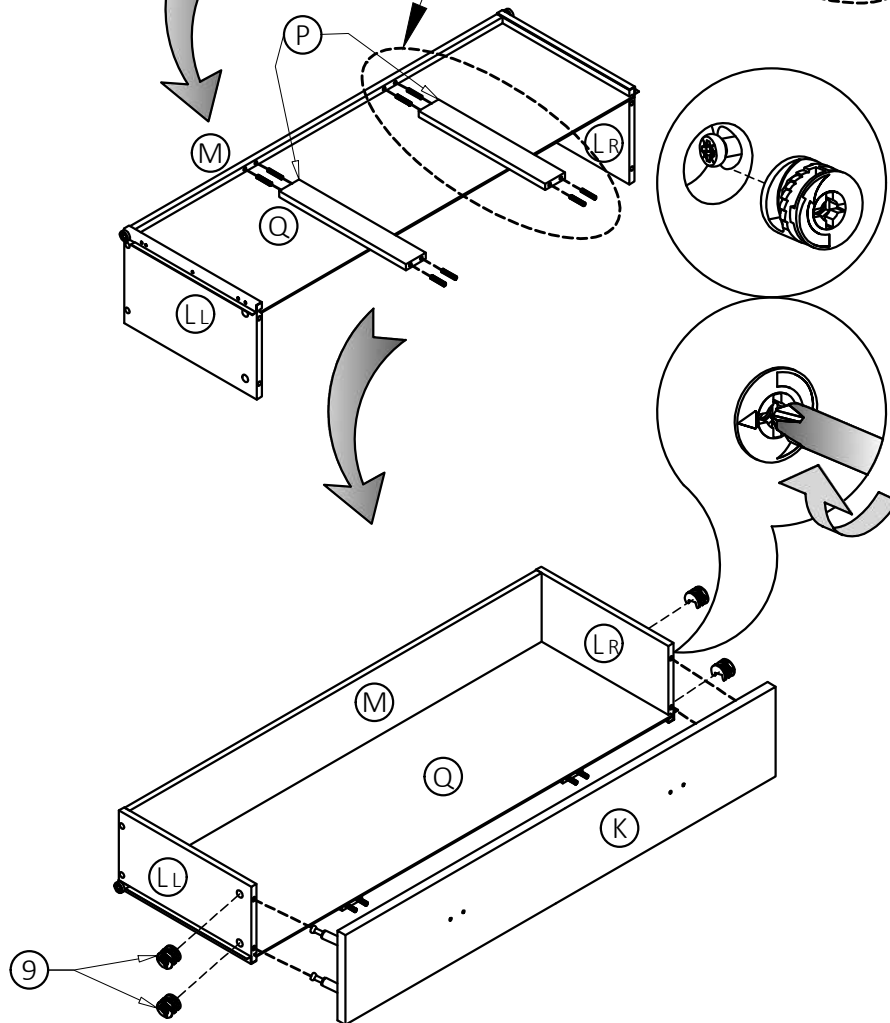
TRIBECA

TR-0007

7



8

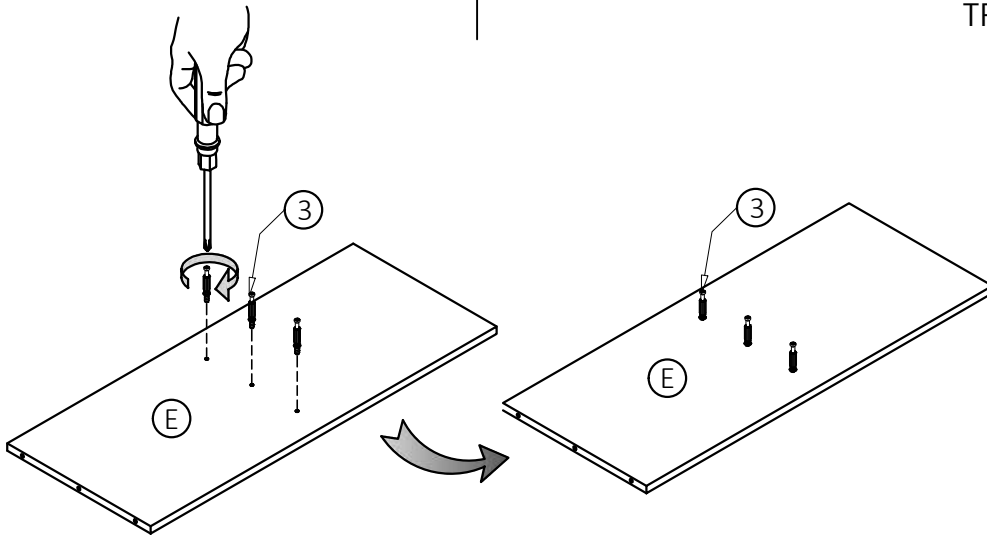


BANAK

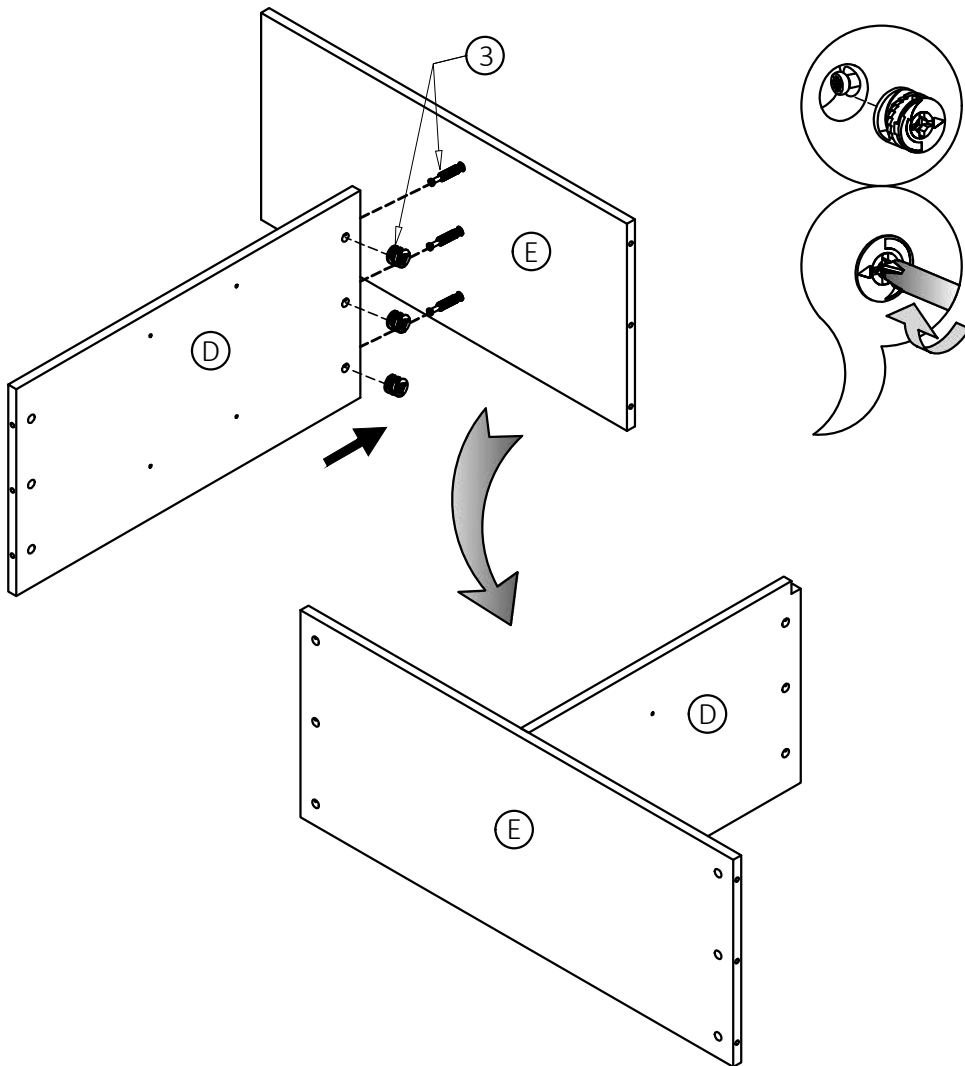
TRIBECA

TR-0007

9



10



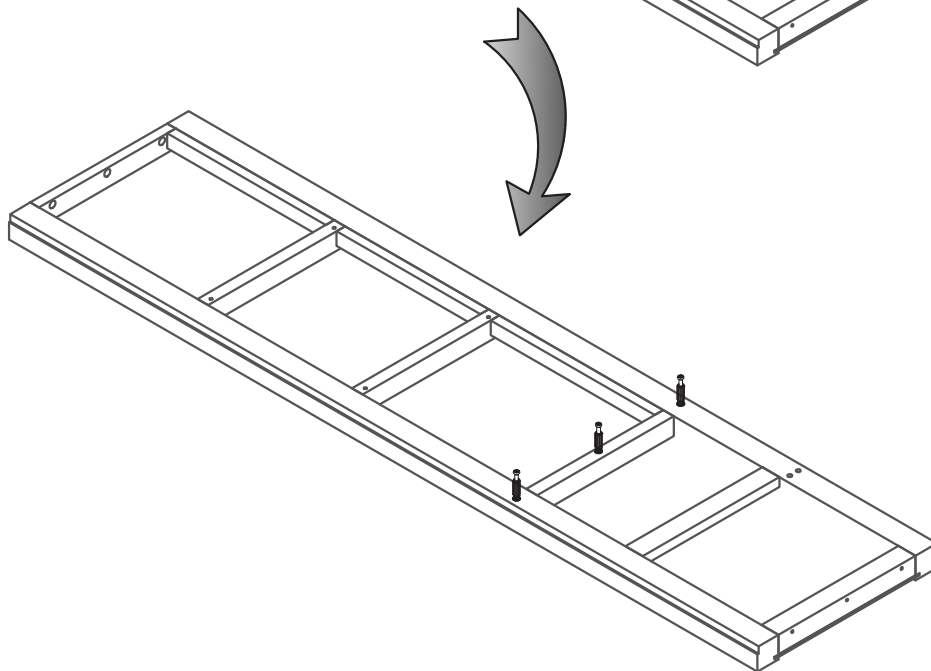
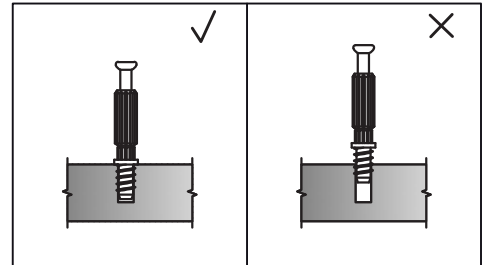
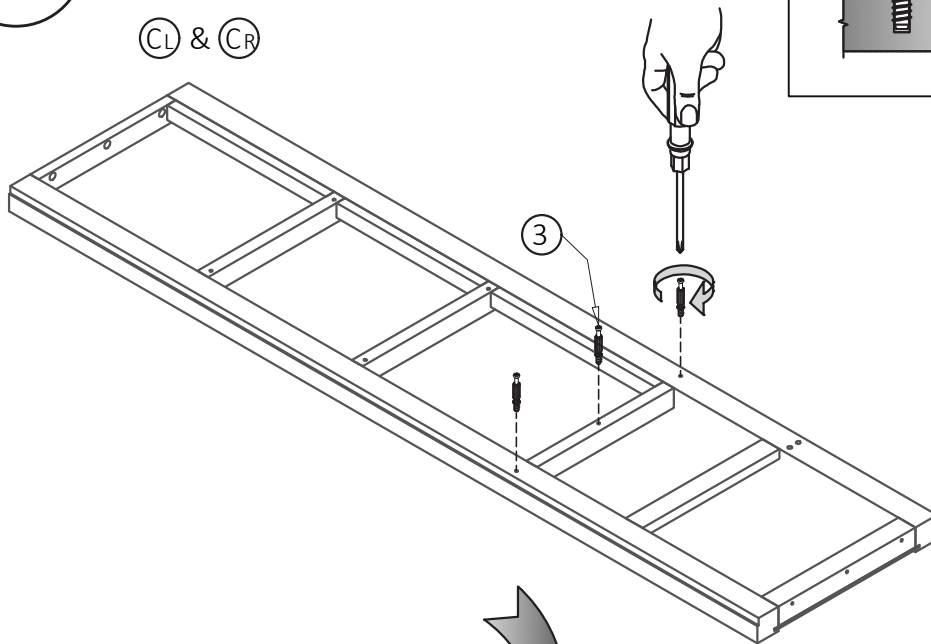
BANAK

TRIBECA

TR-0007

11

CL & CR

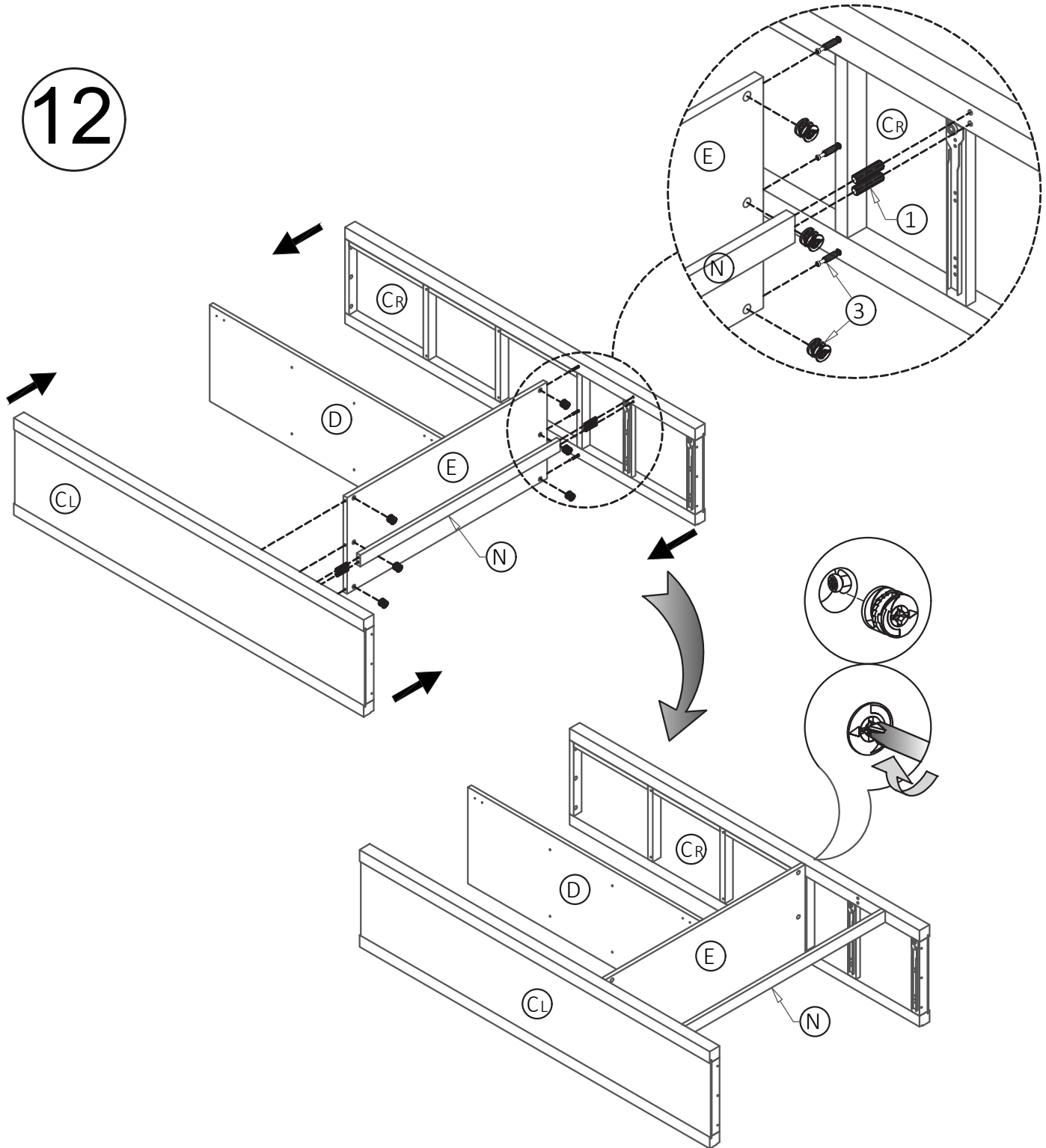


BANAK

TRIBECA

TR-0007

12

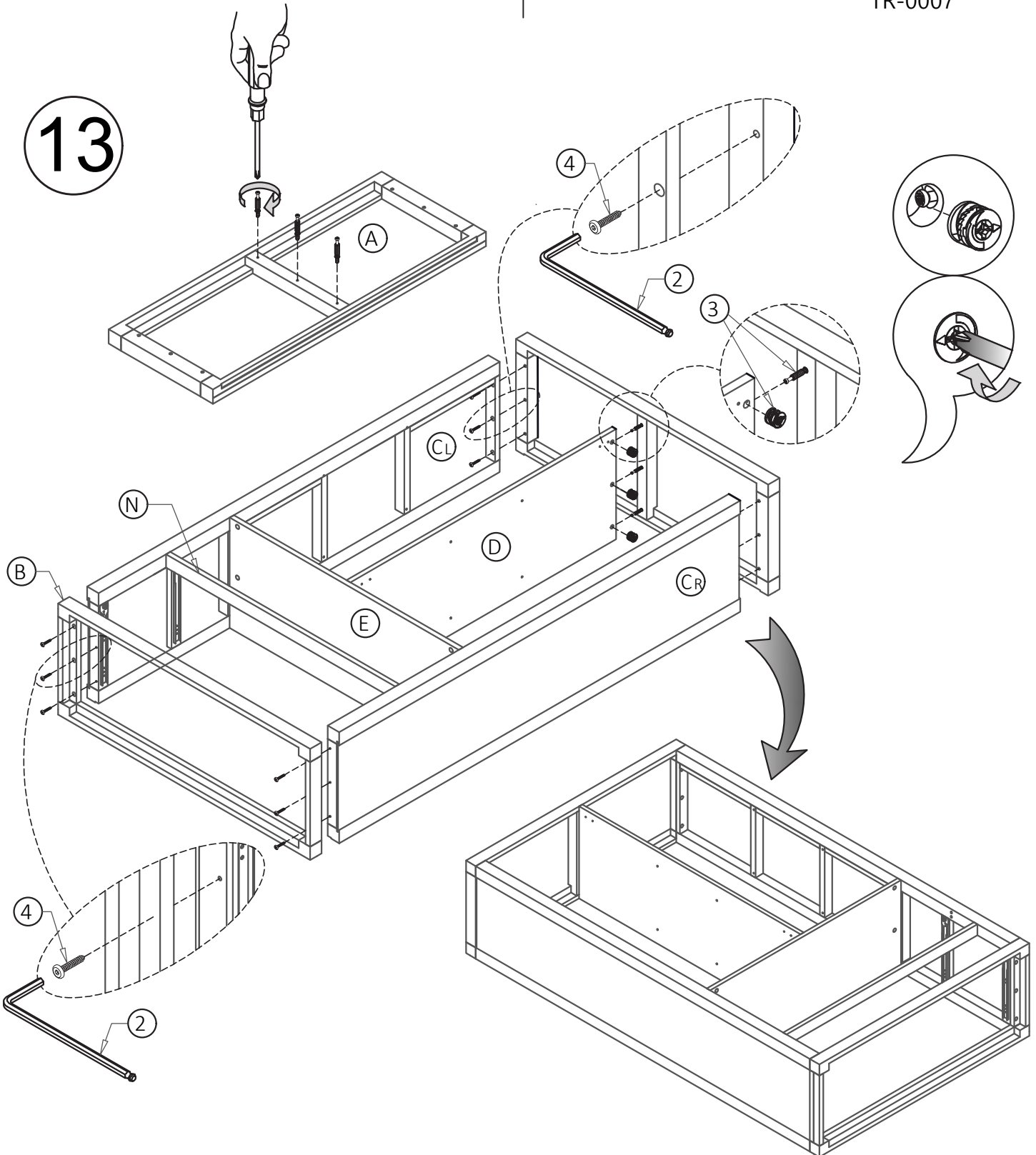


BANAK

TRIBECA

TR-0007

13

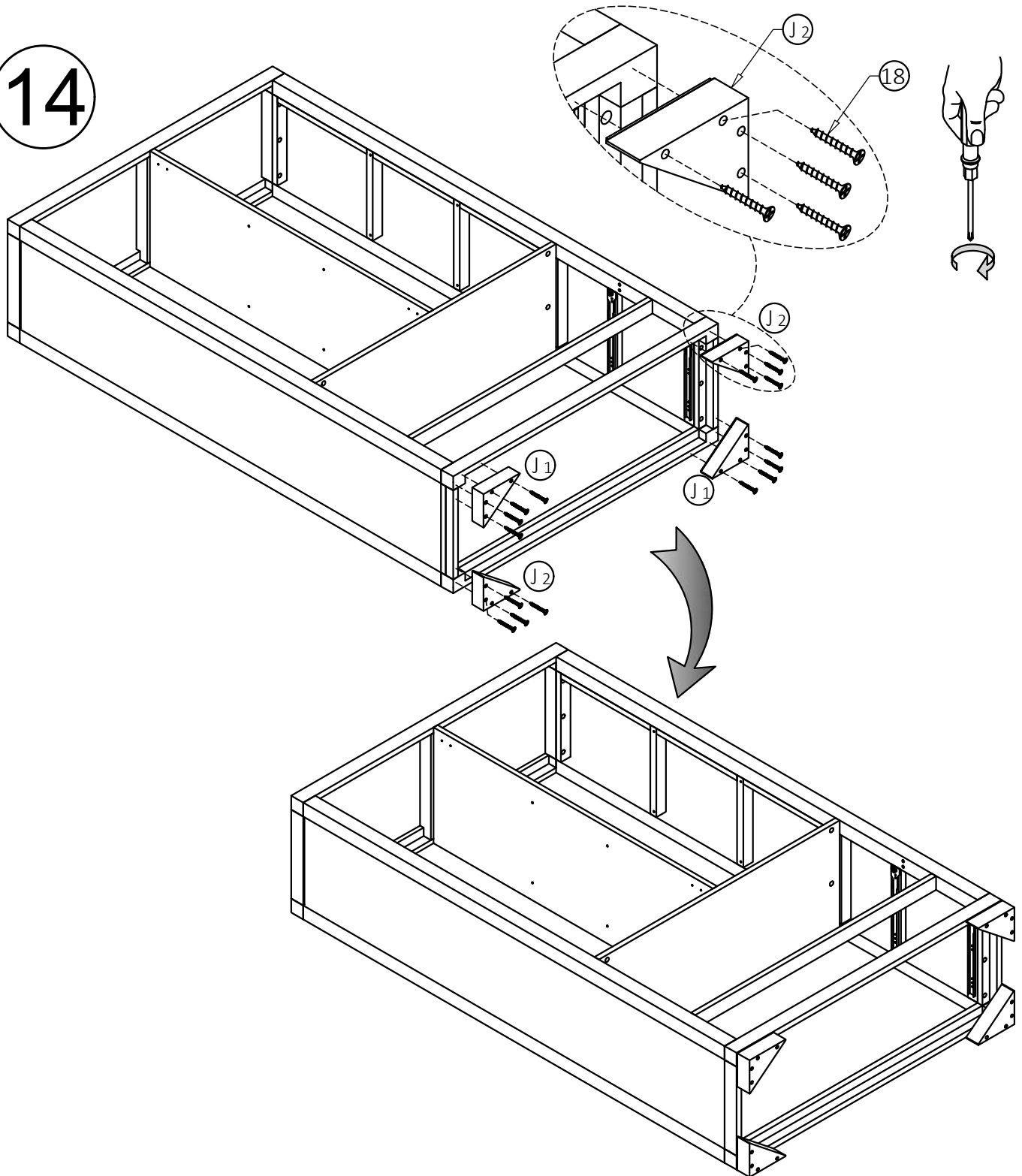


BANAK

TRIBECA

TR-0007

14

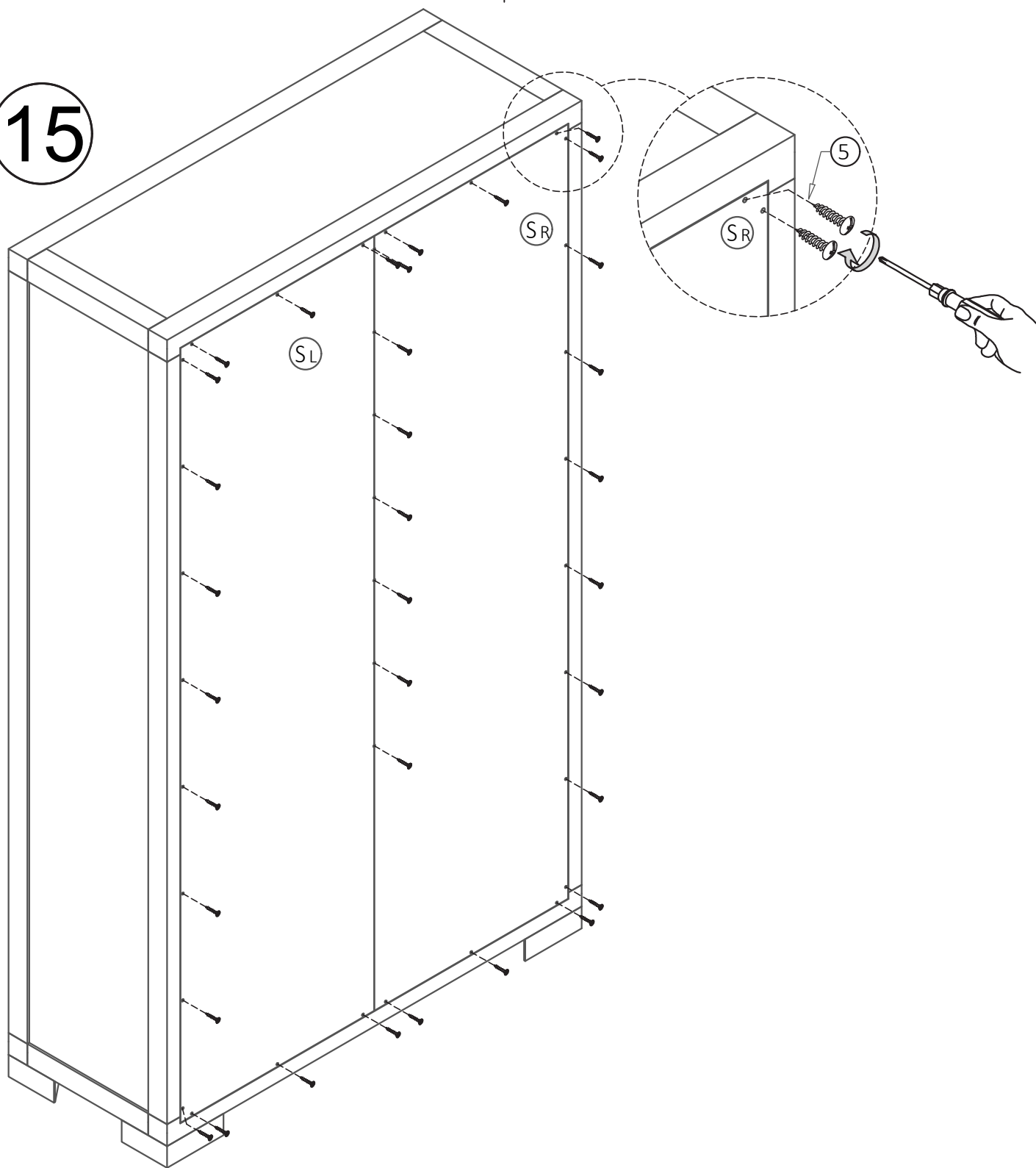


BANAK

TRIBECA

TR-0007

15

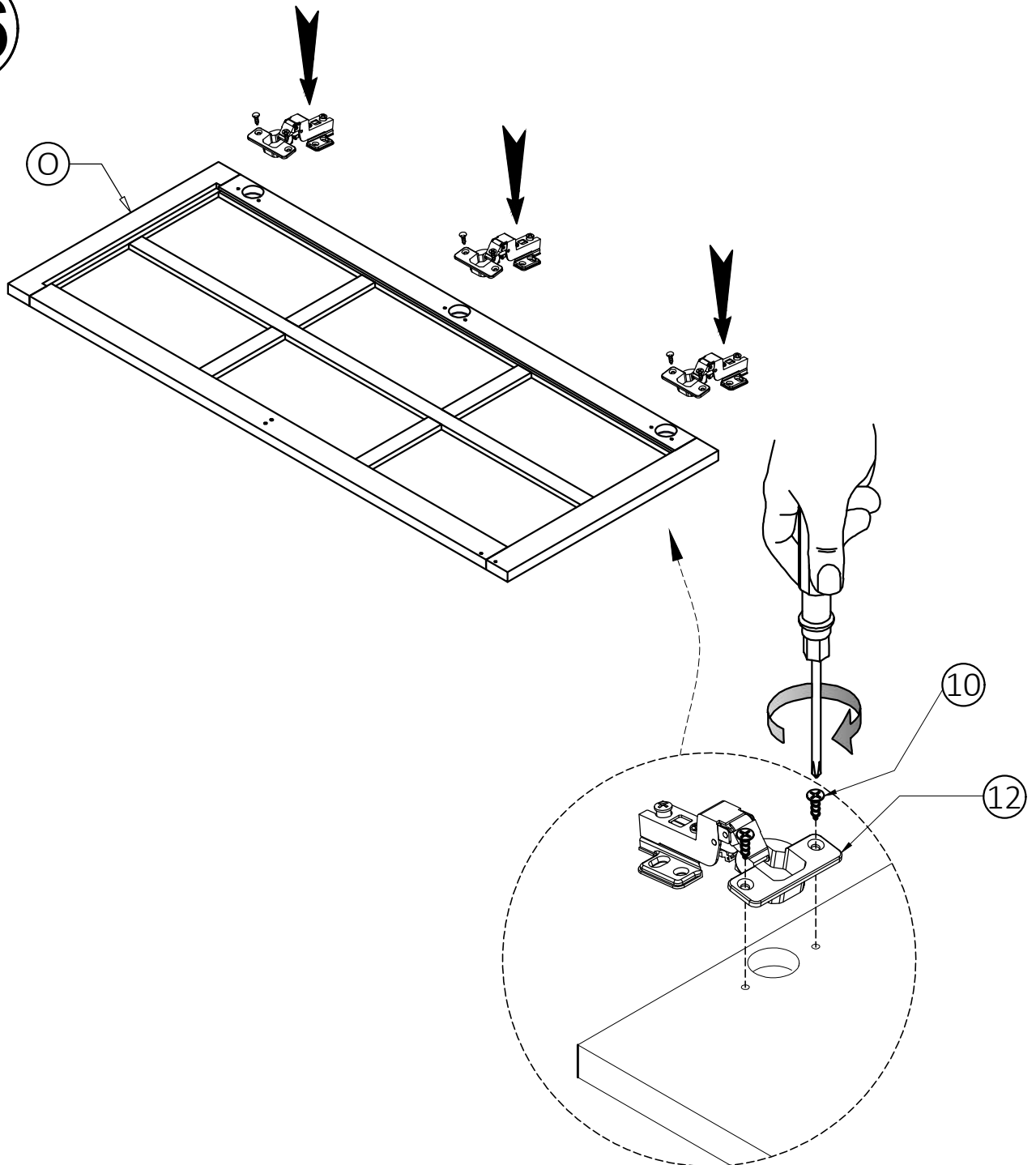


BANAK

TRIBECA

TR-0007

16

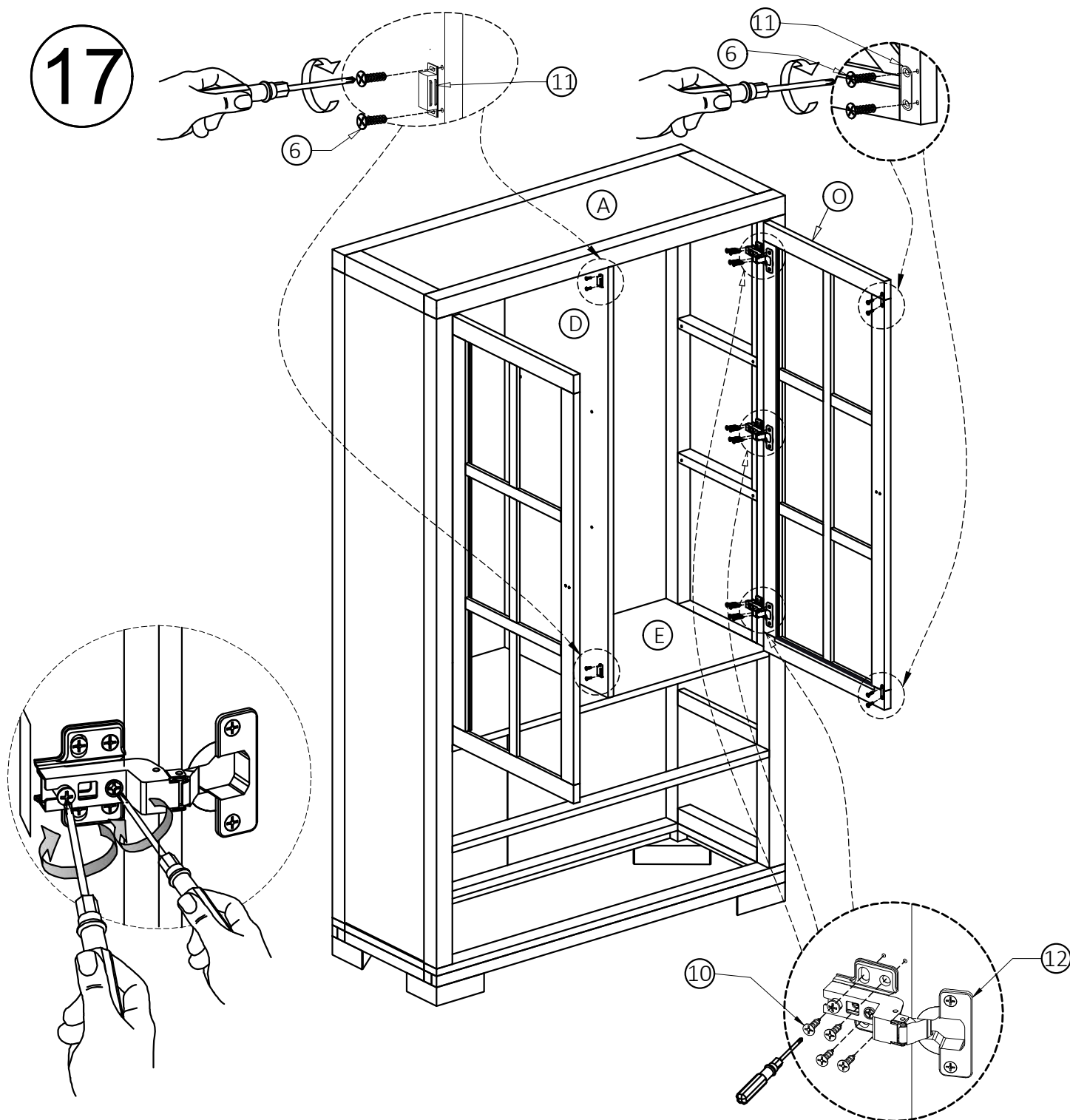


BANAK

TRIBECA

TR-0007

17

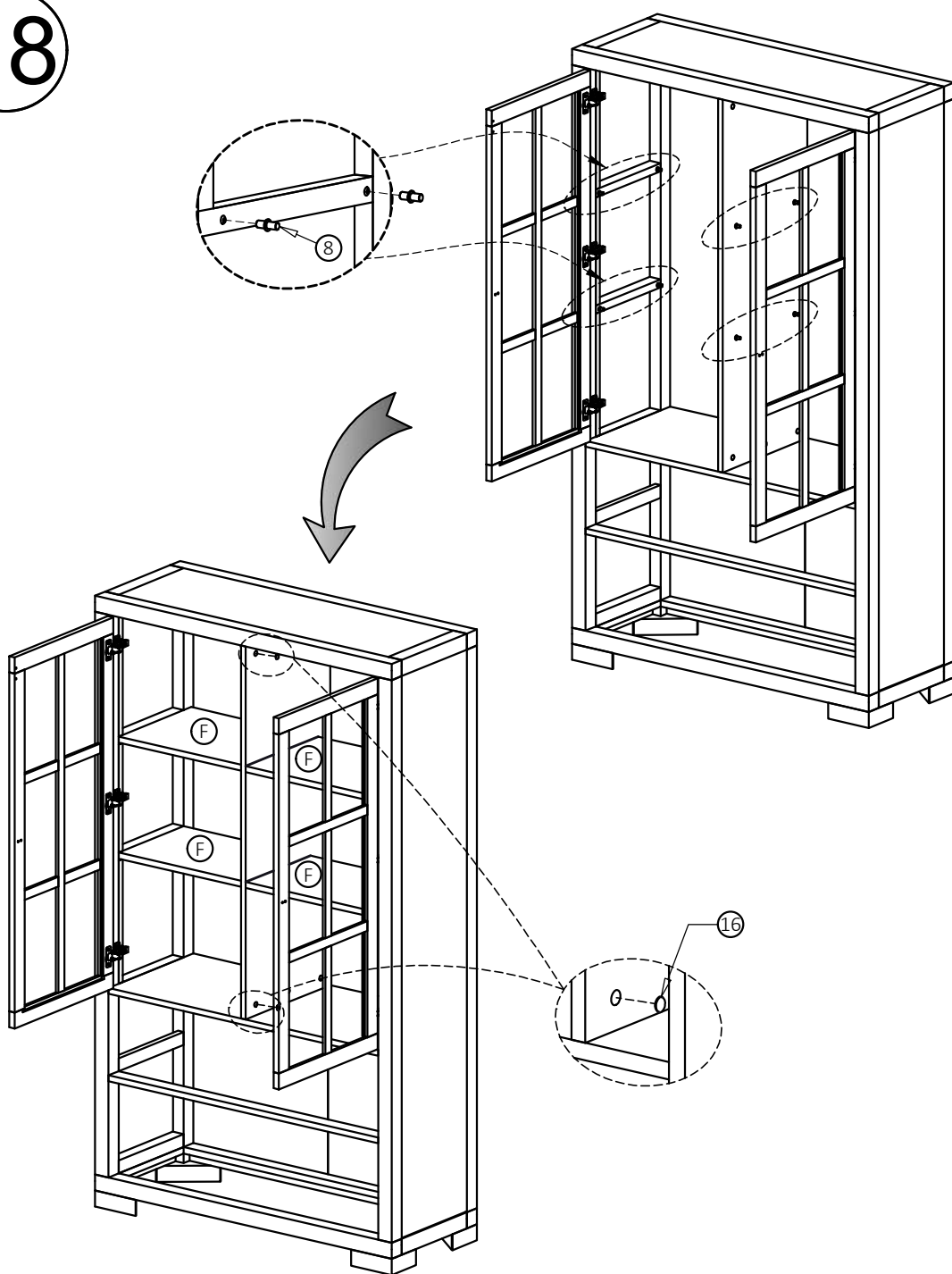


BANAK

TRIBECA

TR-0007

18

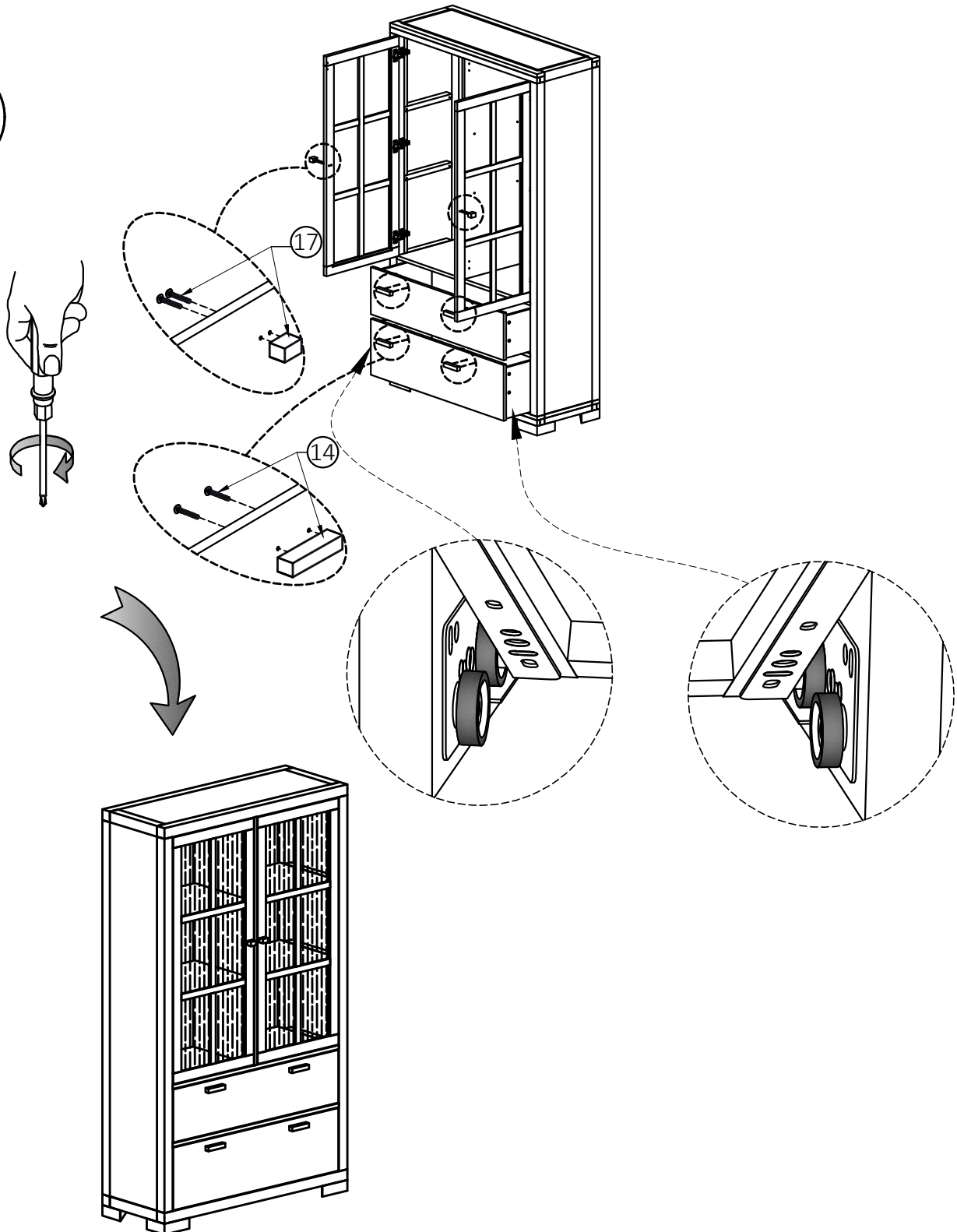


BANAK

TRIBECA

TR-0007

19



BANAK

TRIBECA

TR-0007

