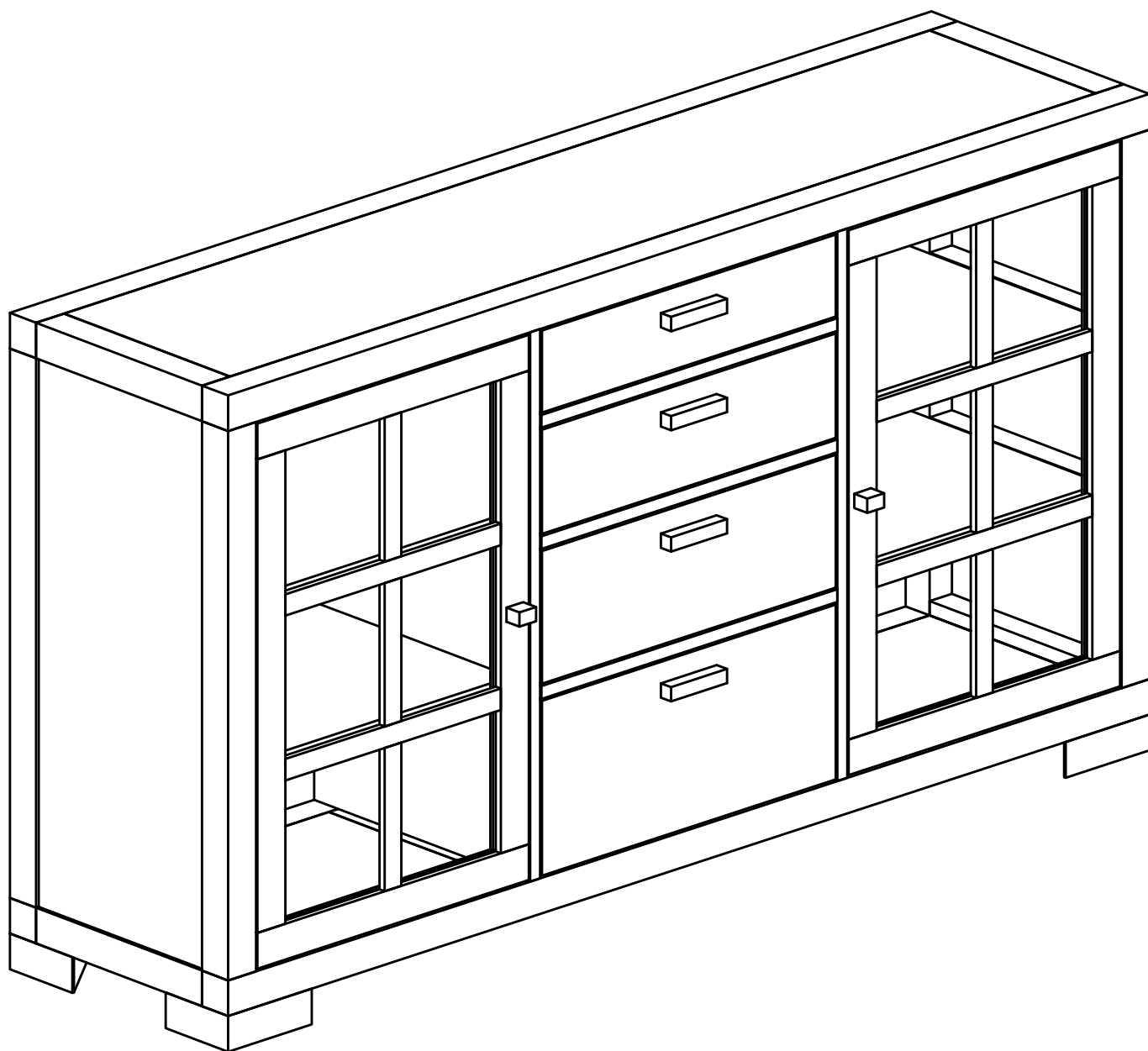


# BANAK

# TRIBECA

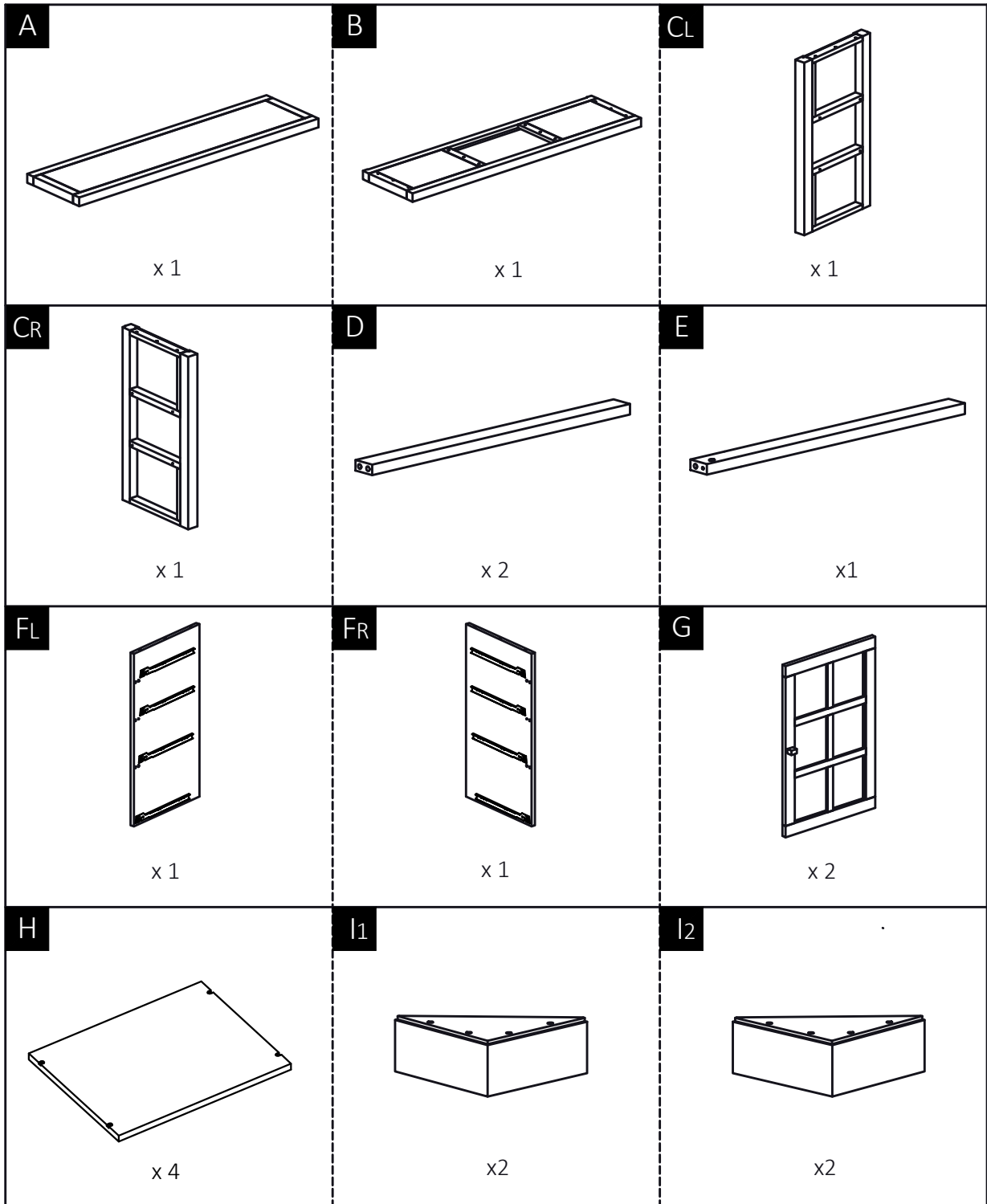
TR-0010



# BANAK

# TRIBECA

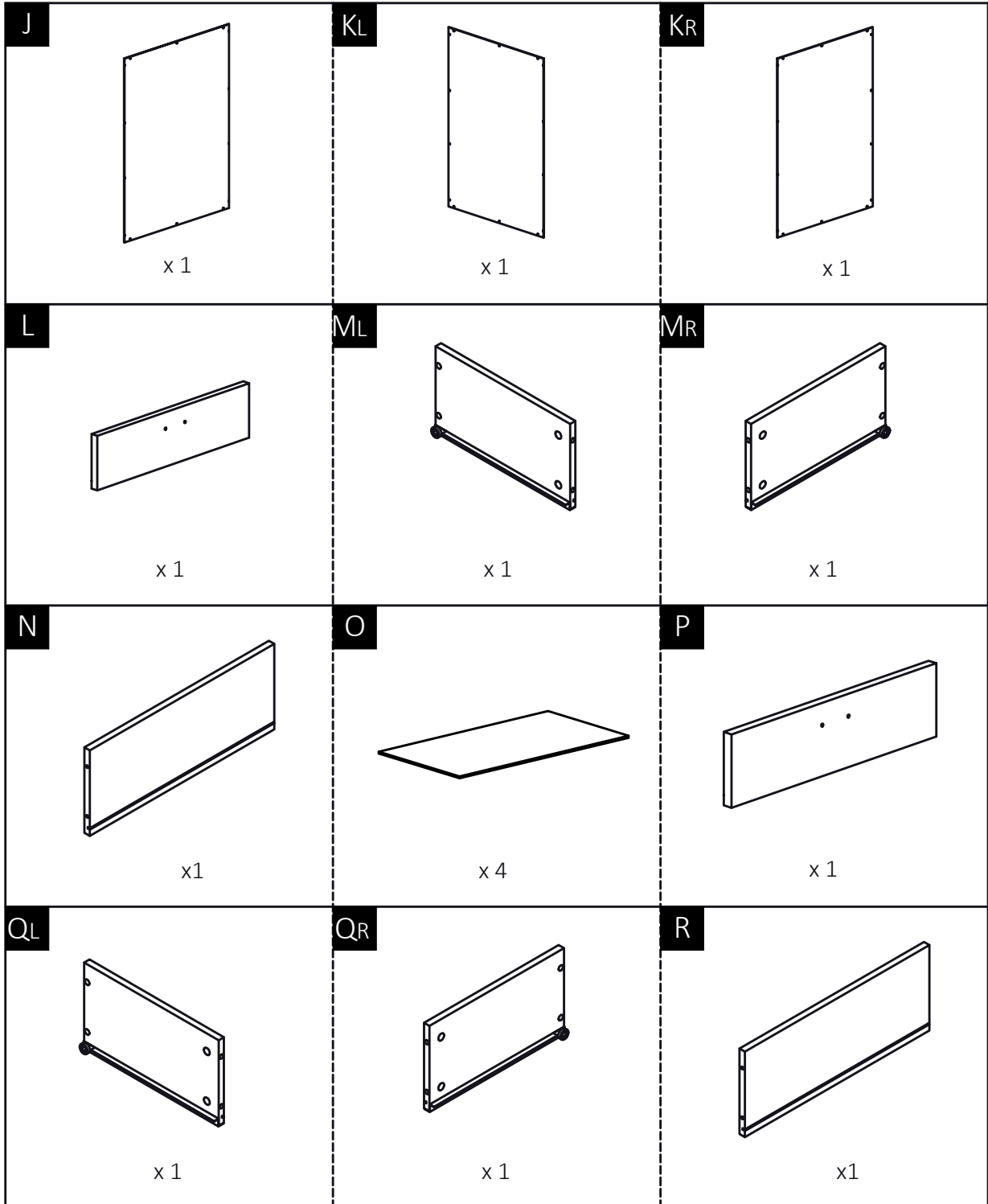
TR-0010



# BANAK

# TRIBECA

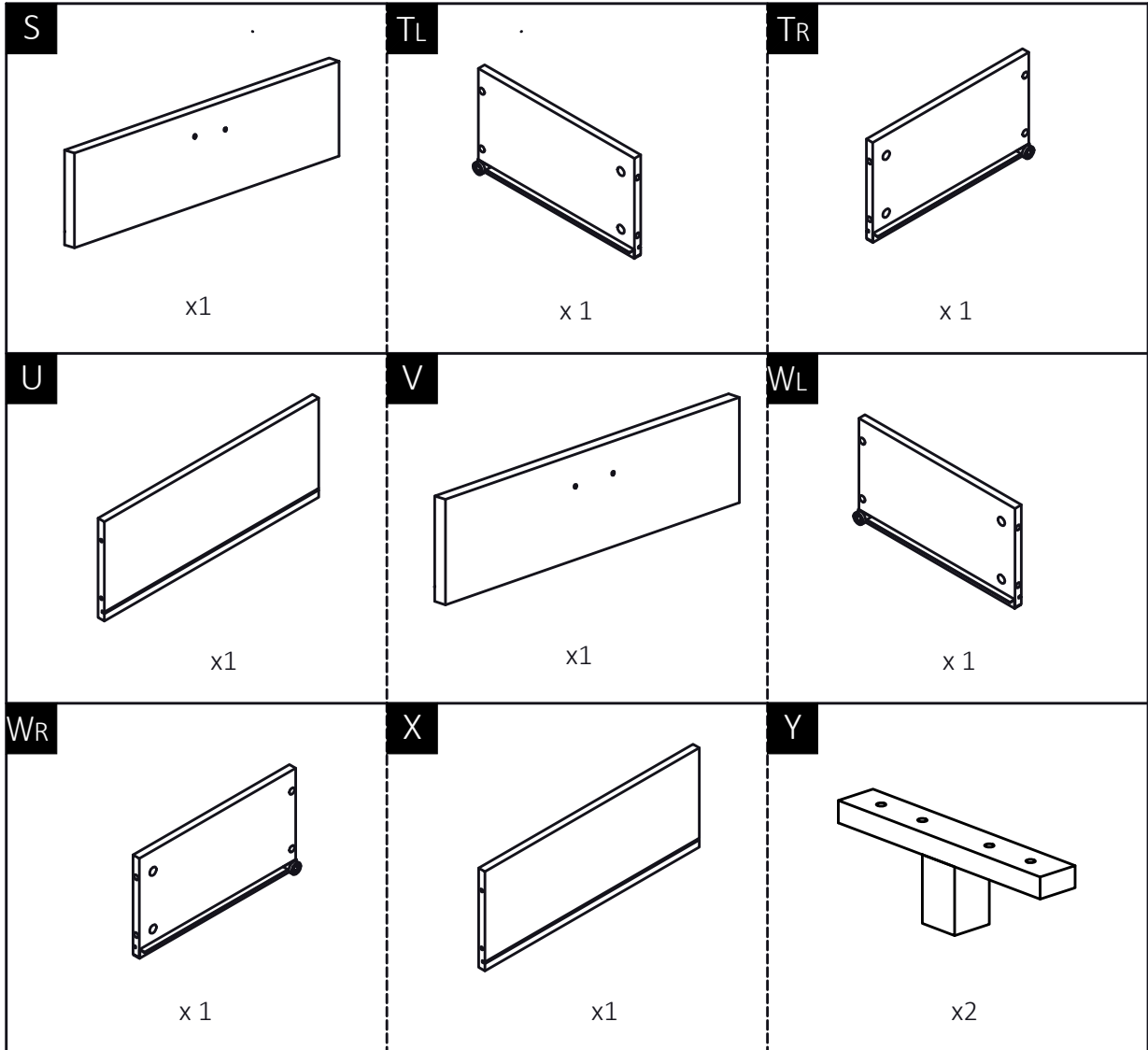
TR-0010



# BANAK

# TRIBECA


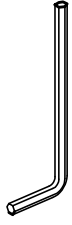
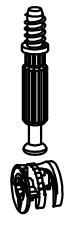
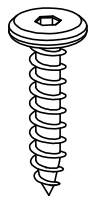
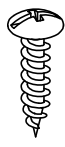
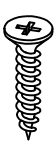

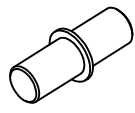
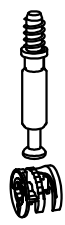

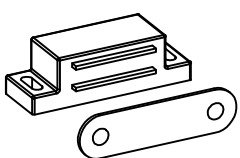
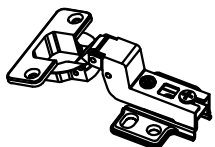
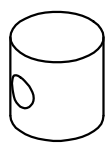
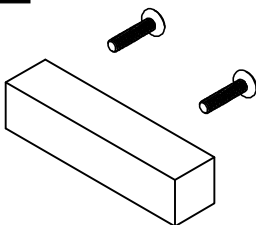

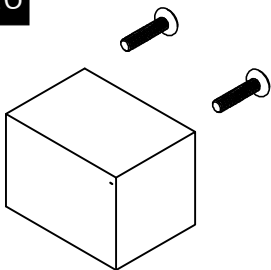
TR-0010



# BANAK

# TRIBECA

TR-0010

<b>1</b>  Ø8 X 30mm x 10	<b>2</b>  x 1	<b>3</b>  x 8	<b>4</b>  M6 X 30mm x 18
<b>5</b>  M4 X 15mm x 34	<b>6</b>  M3 X 15mm x 16	<b>7</b>  M4 X 30mm x 24	<b>8</b>  x 16
<b>9</b>  x 16	<b>10</b>  M4 X 15mm x 24	<b>11</b>  x 4	<b>12</b>  x 4
<b>13</b>  M8 X 8mm x 16	<b>14</b>  x 4	<b>15</b>  x 6	<b>16</b>  x 2

17



M4 X 45mm  
x16



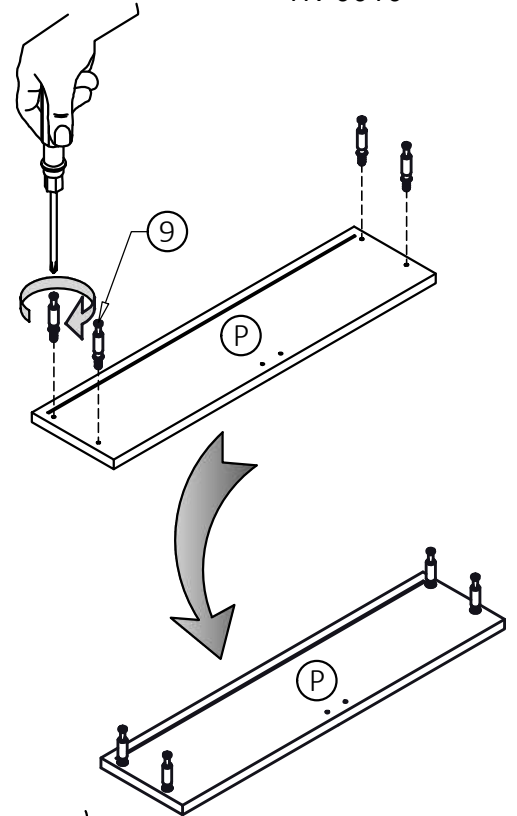
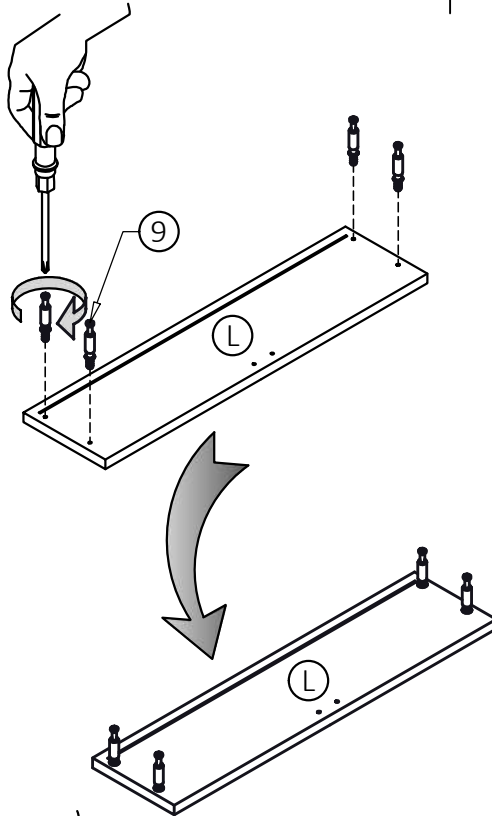


# BANAK

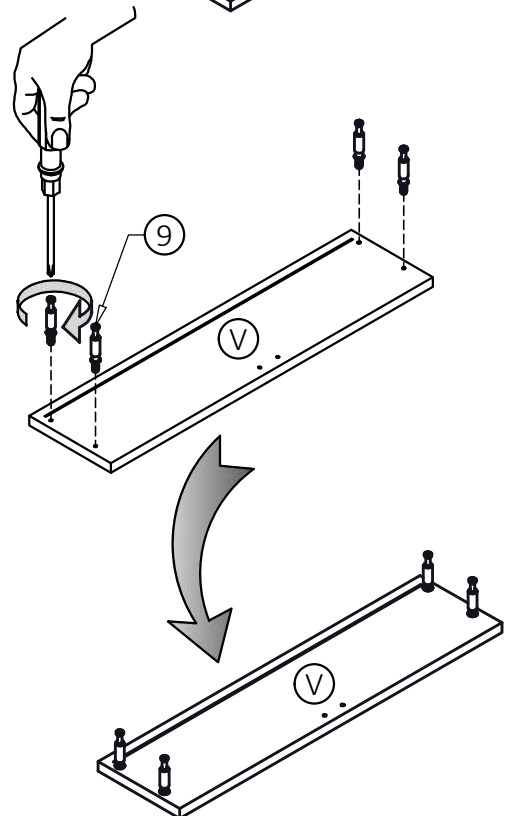
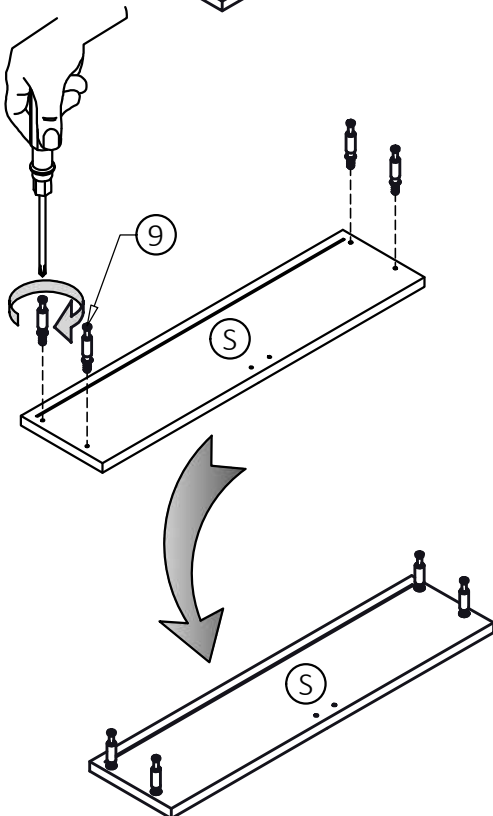
# TRIBECA

TR-0010

1



2



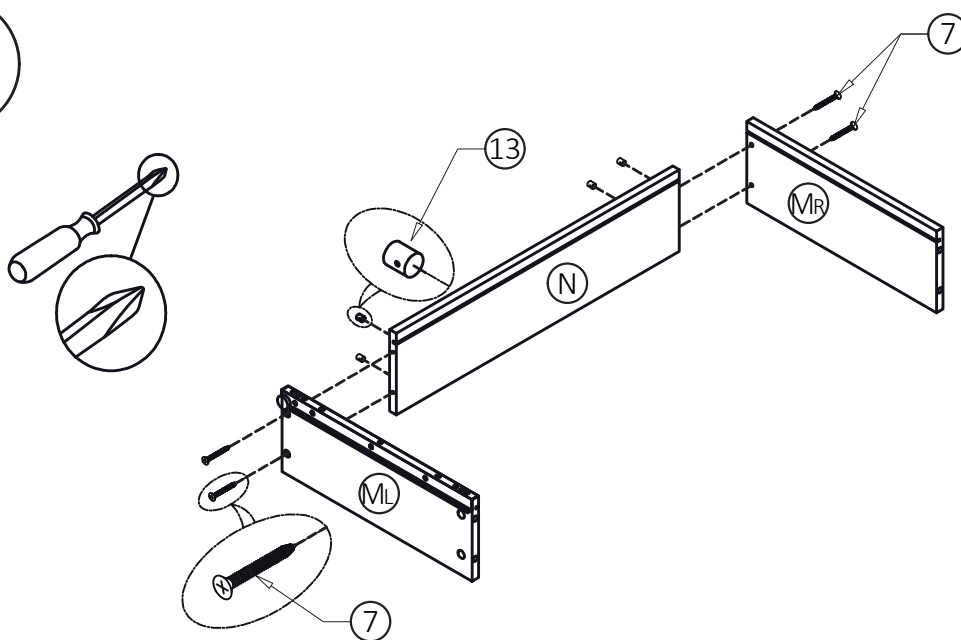


# BANAK

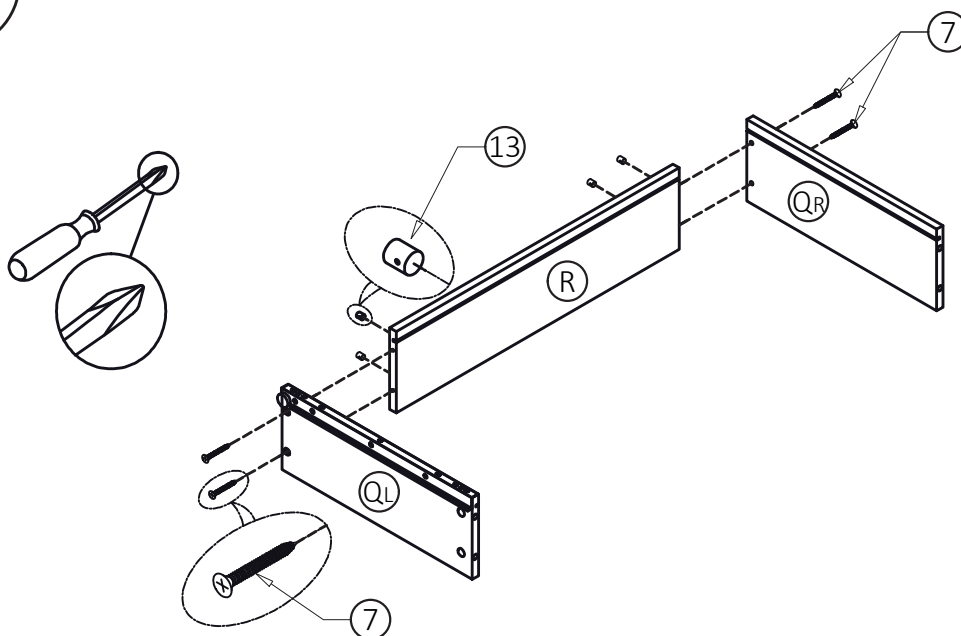
# TRIBECA

TR-0010

3



4

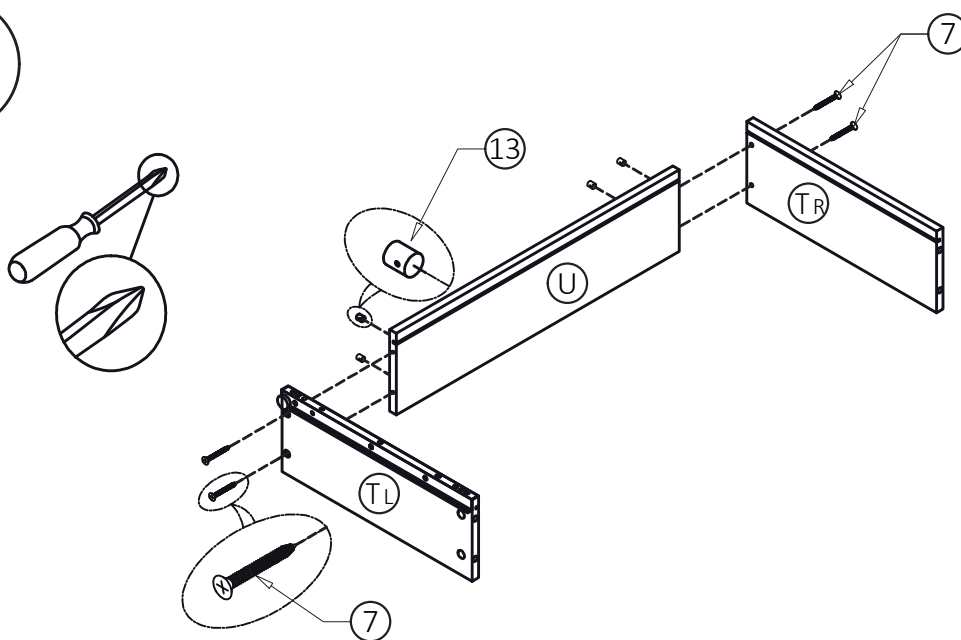


# BANAK

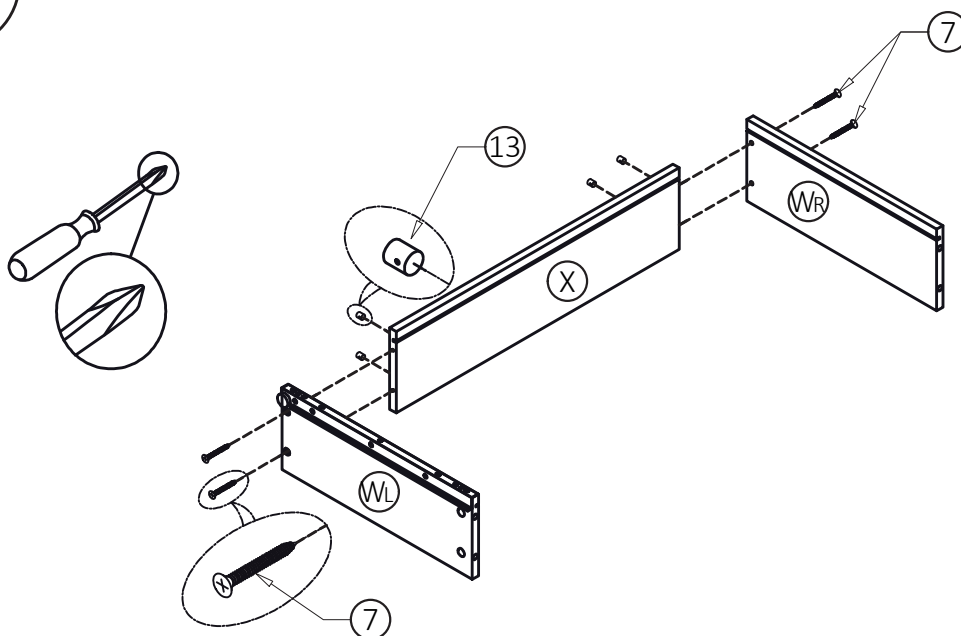
# TRIBECA

TR-0010

5



6

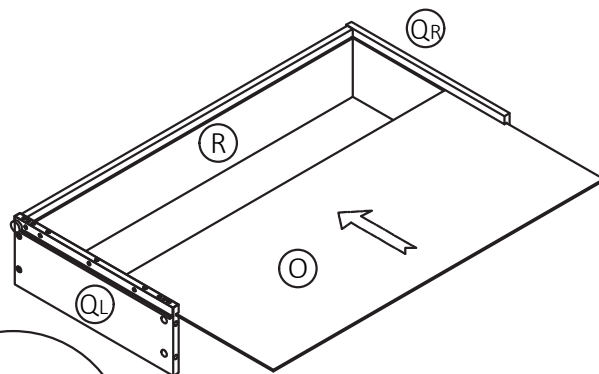
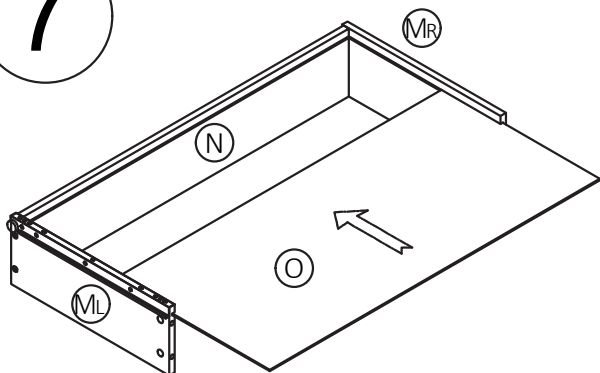


# BANAK

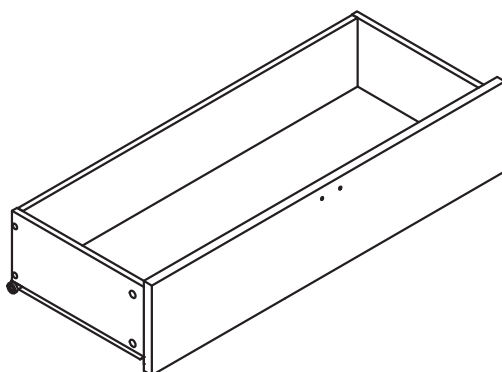
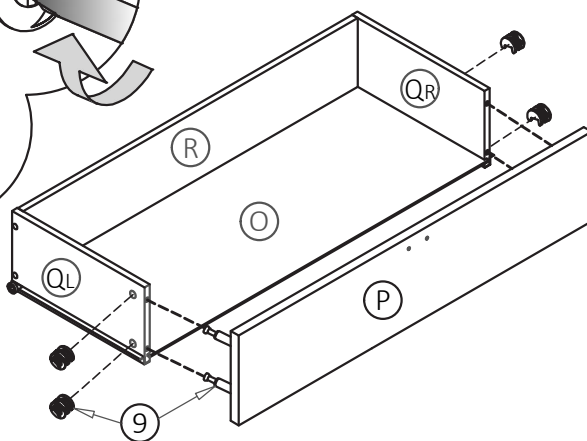
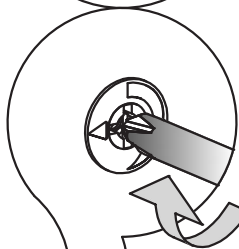
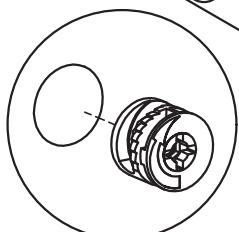
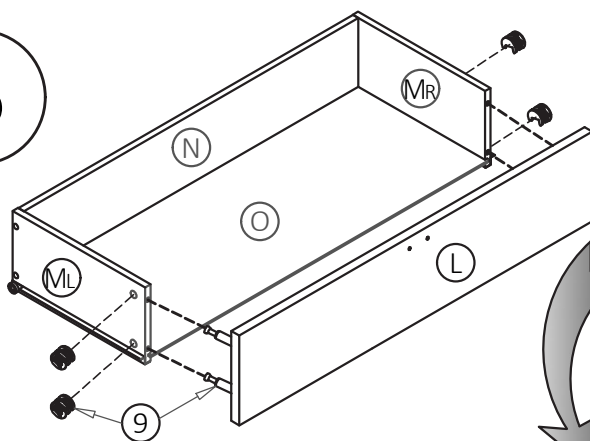
# TRIBECA

TR-0010

7



8

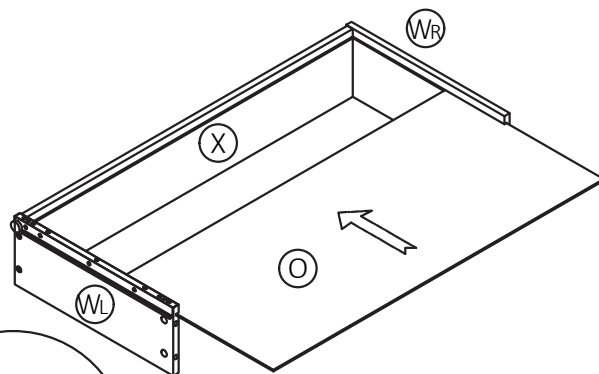
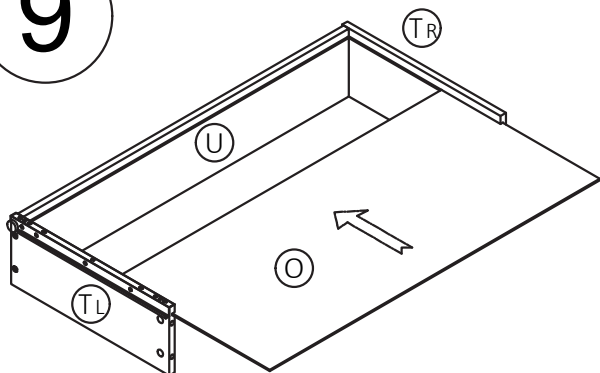


# BANAK

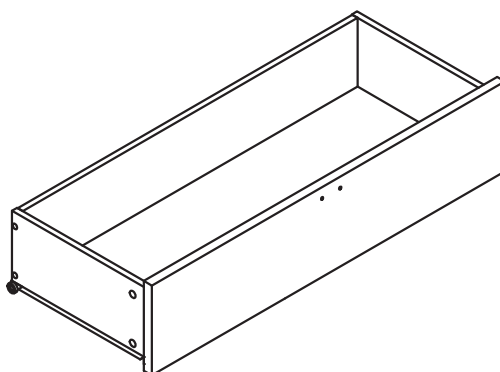
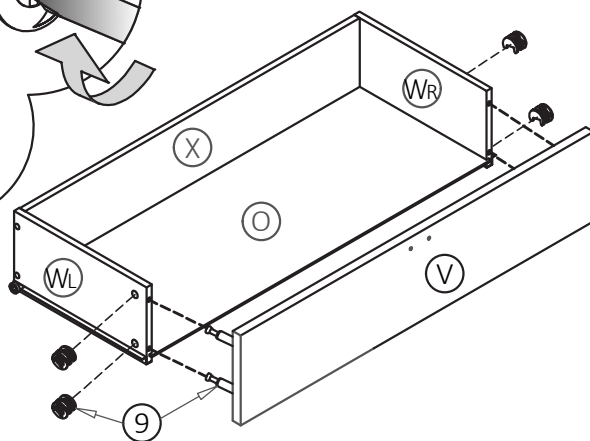
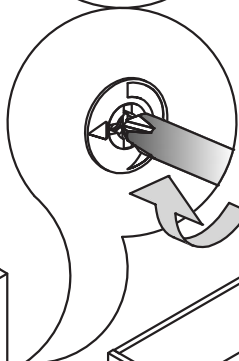
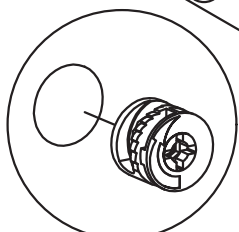
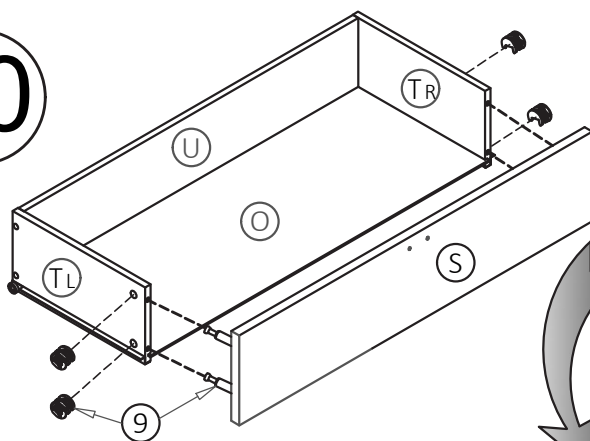
# TRIBECA

TR-0010

9



10

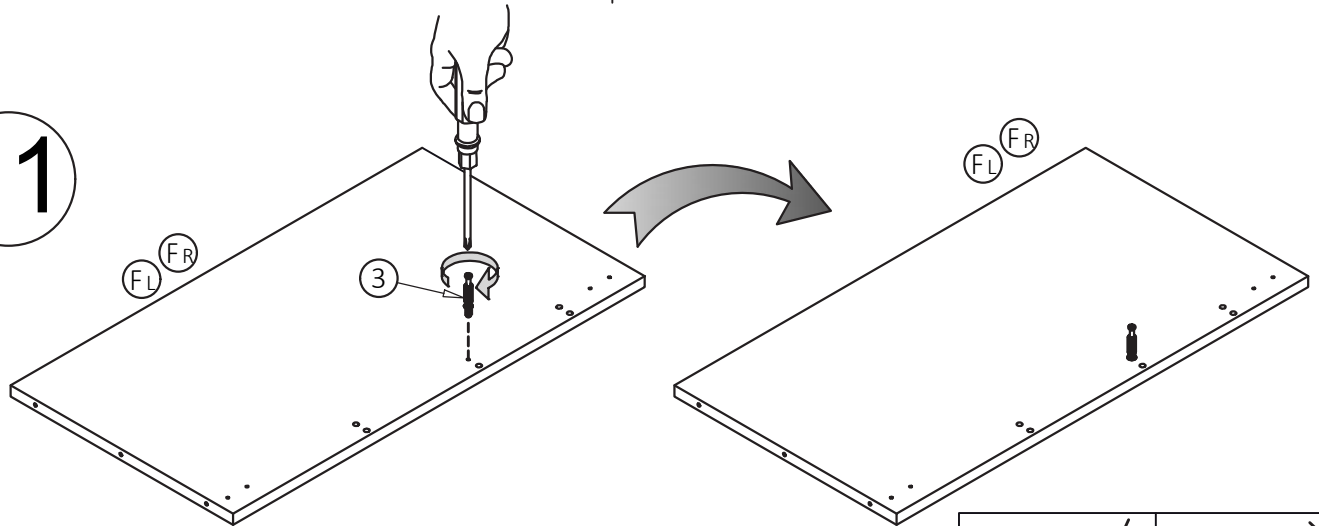


# BANAK

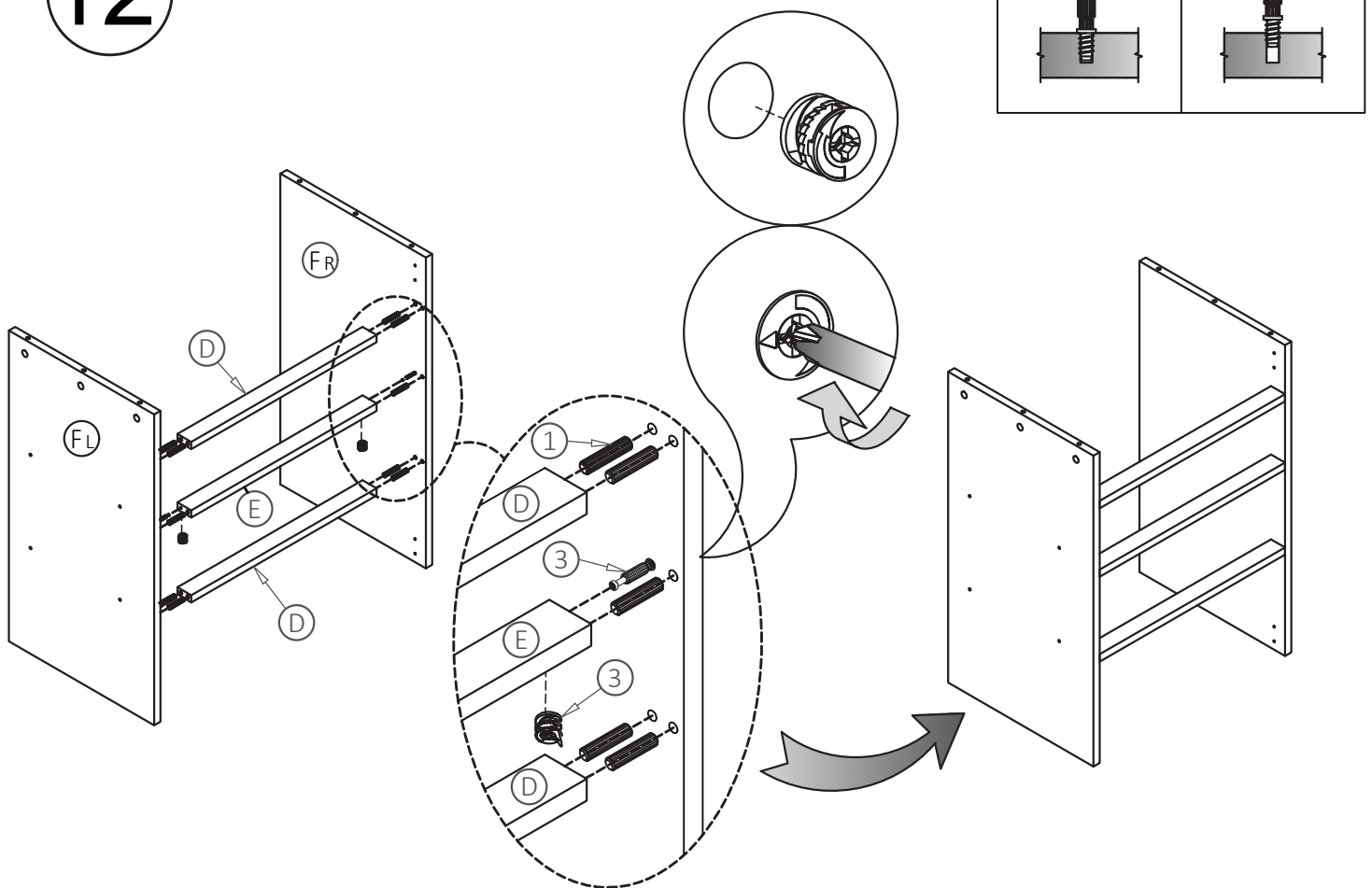
# TRIBECA

TR-0010

11



12

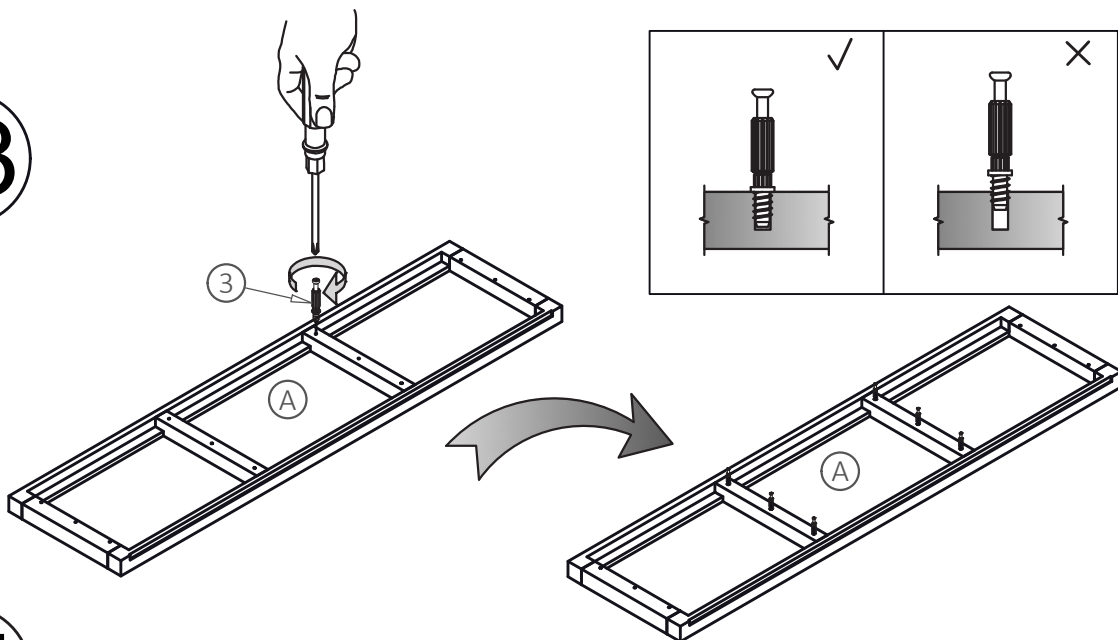


# BANAK

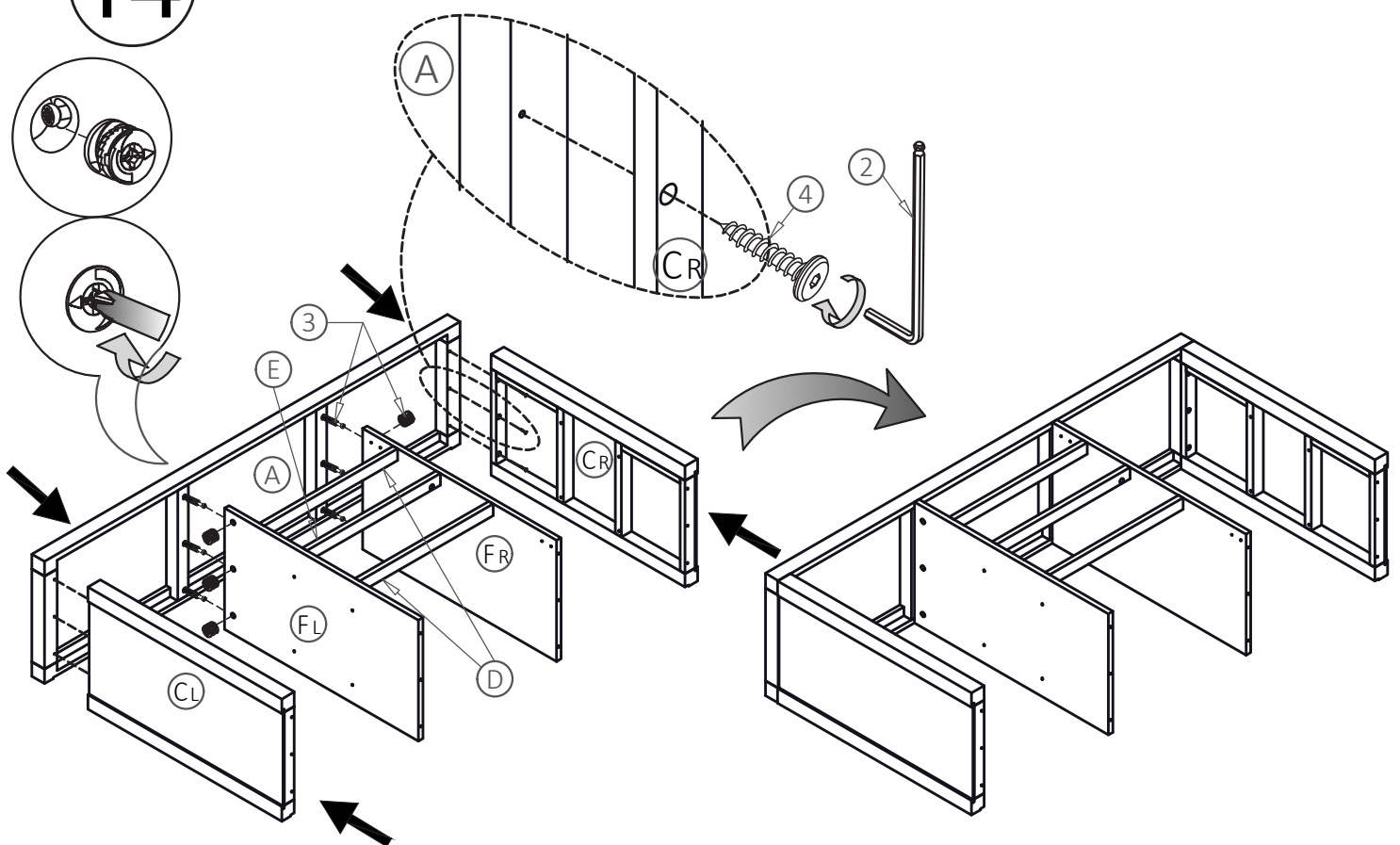
# TRIBECA

TR-0010

13



14

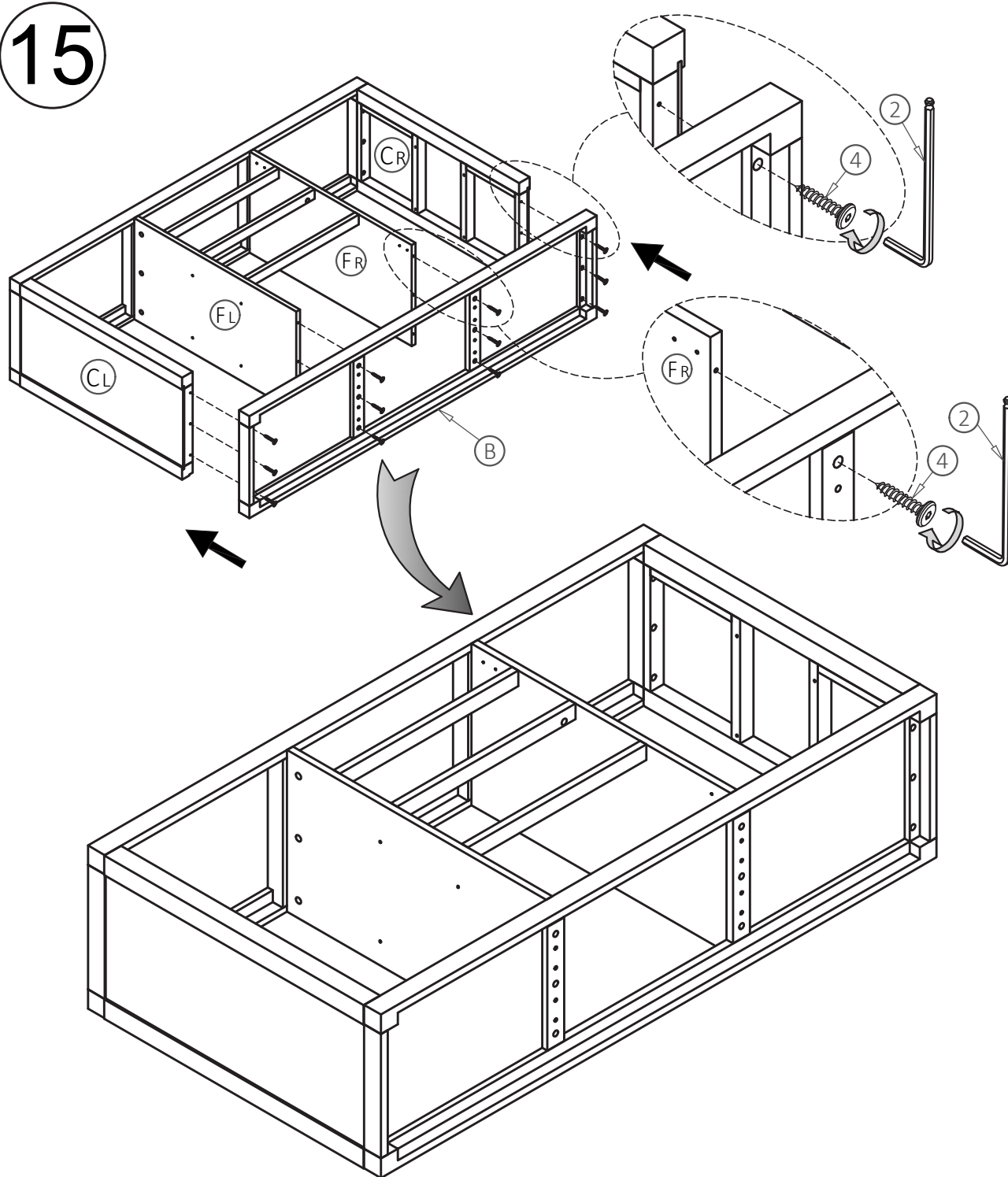


# BANAK

# TRIBECA

TR-0010

15

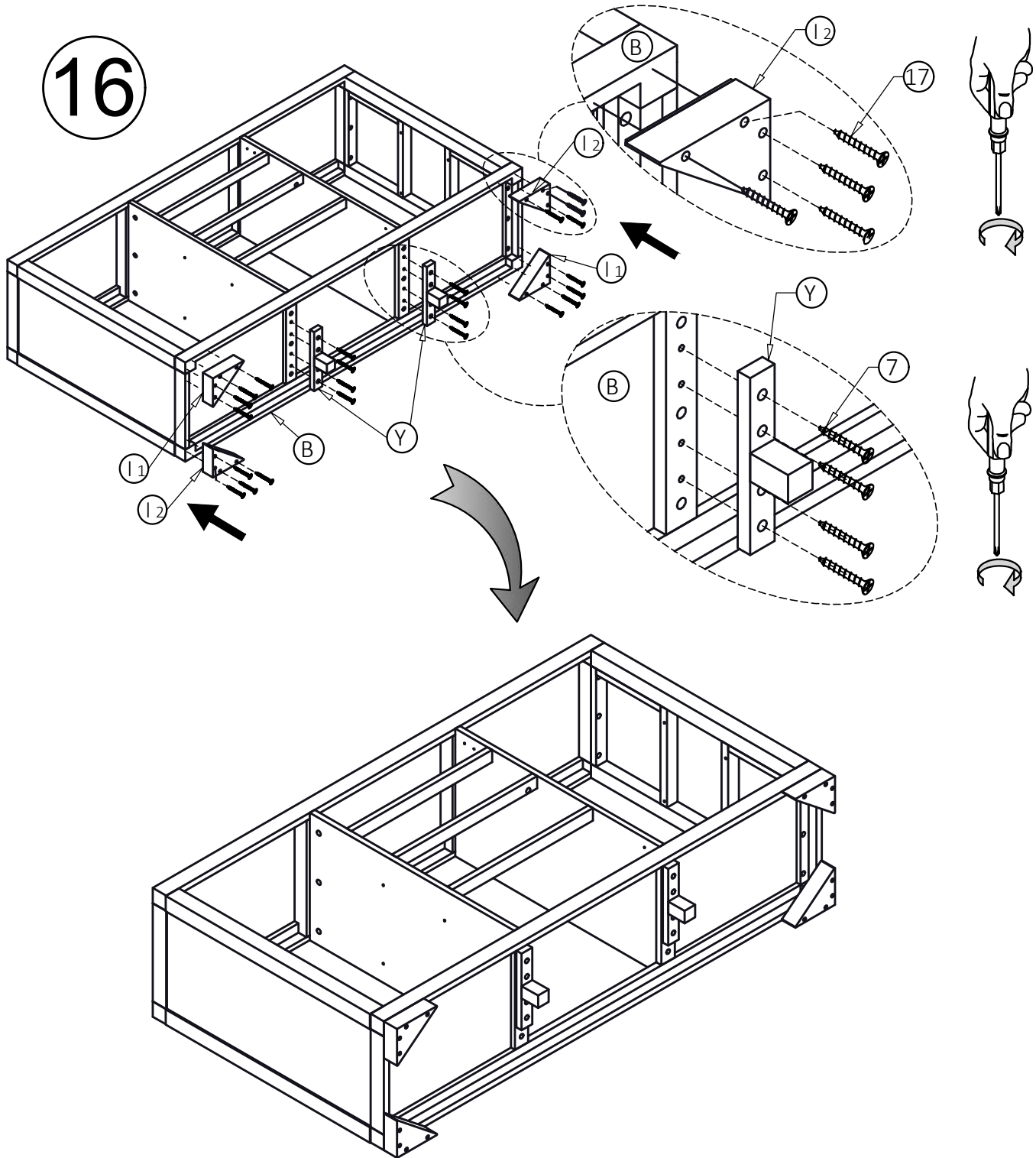


# BANAK

# TRIBECA

TR-0010

16



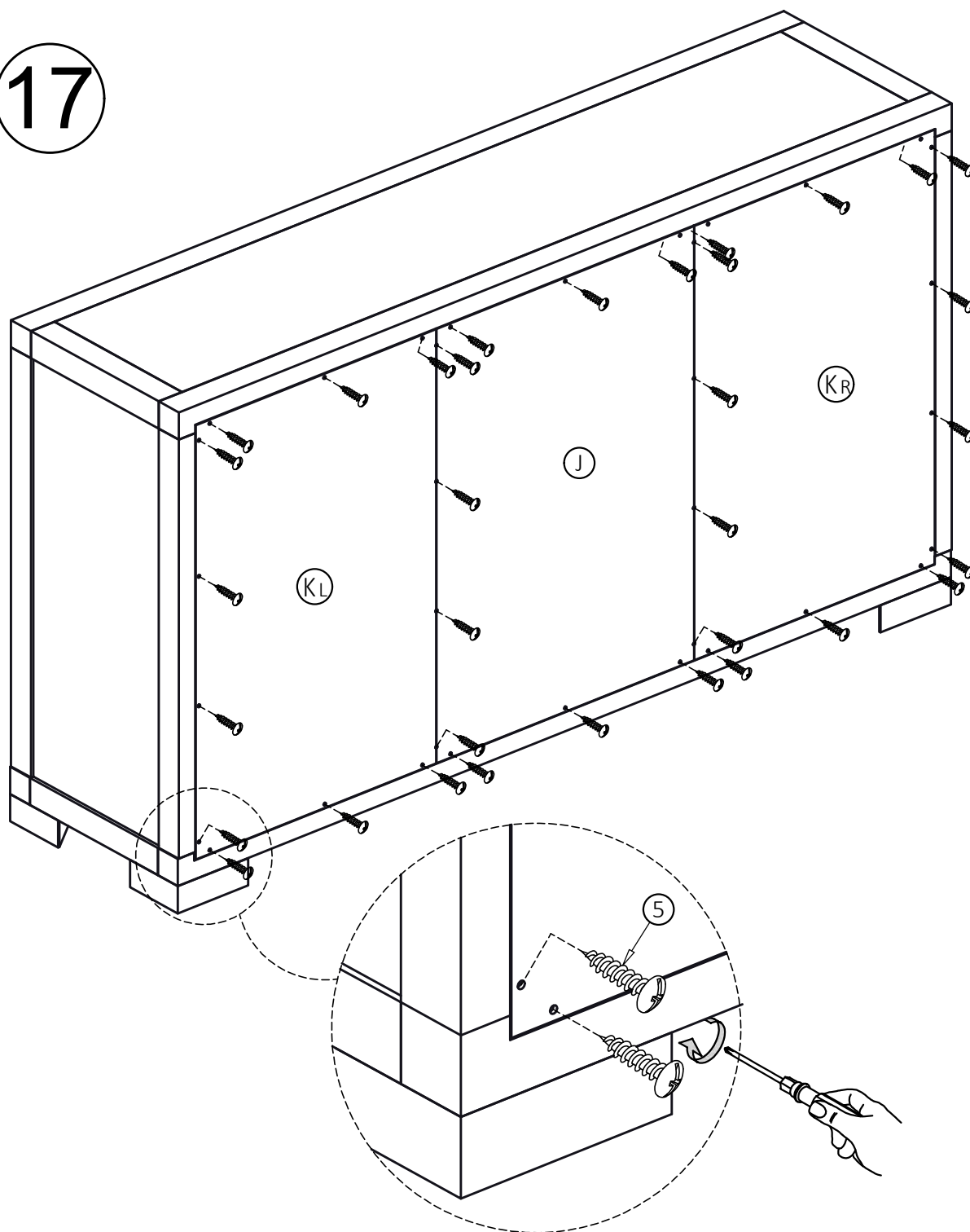


# BANAK

# TRIBECA

TR-0010

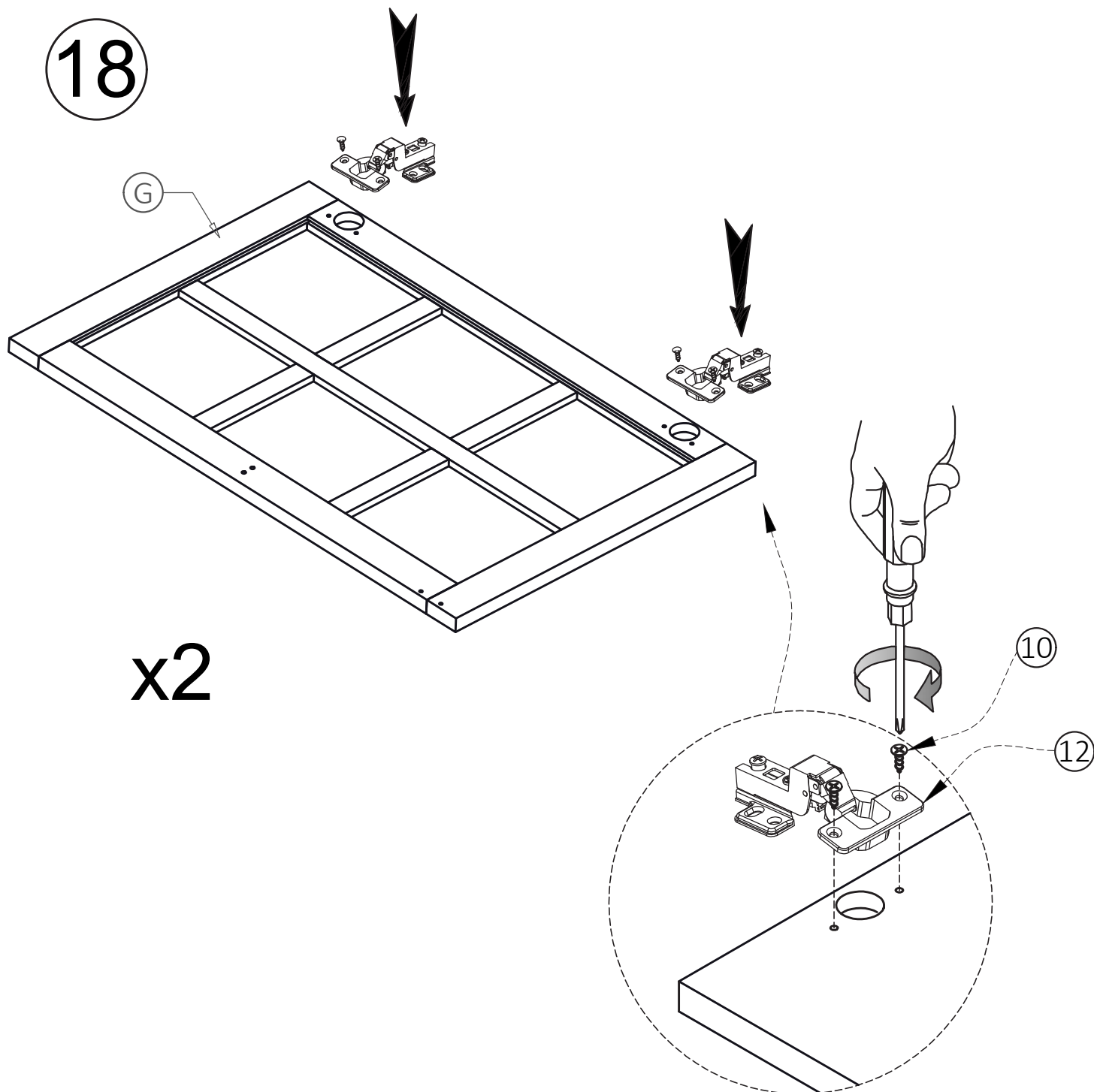
17



# BANAK

# TRIBECA

TR-0010

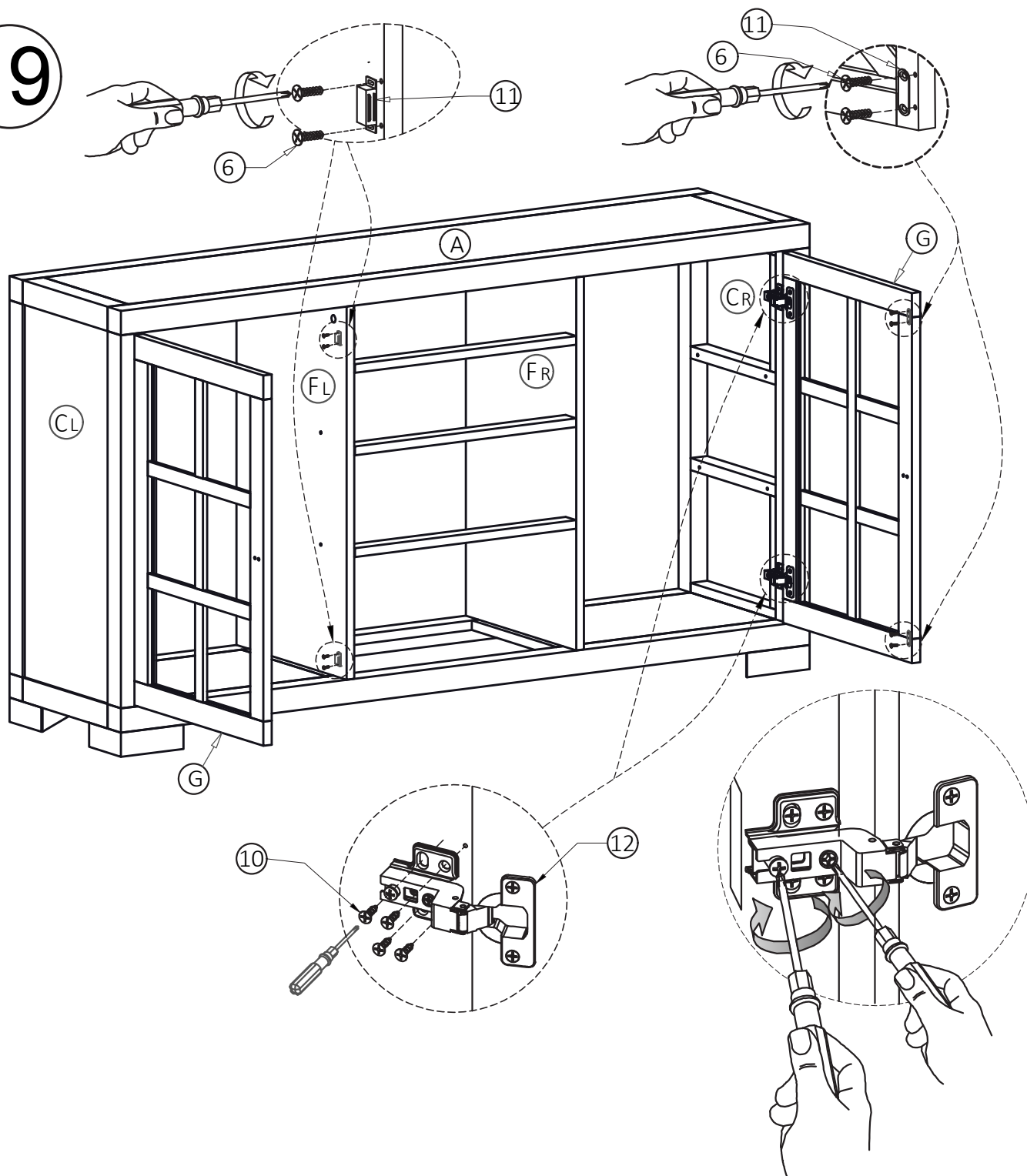


# BANAK

# TRIBECA

TR-0010

19

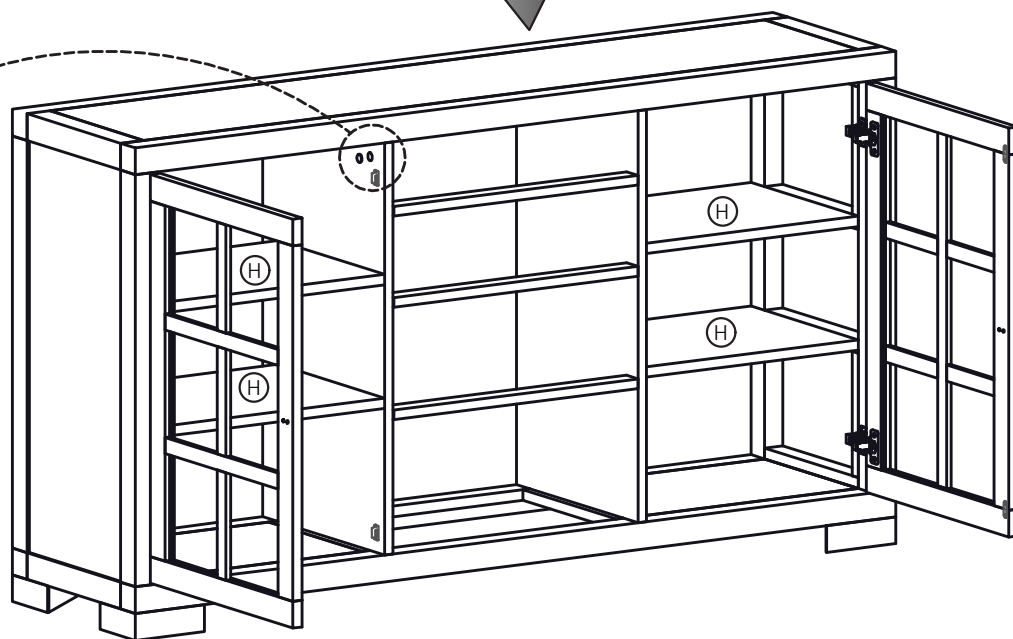
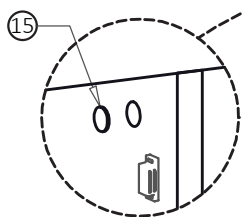
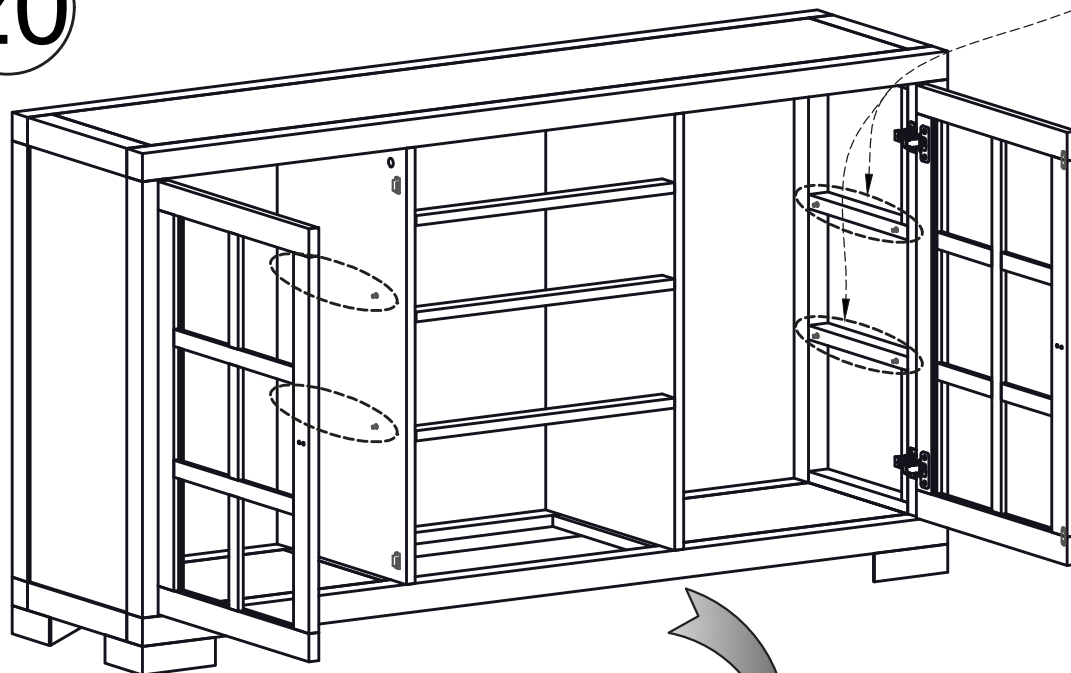
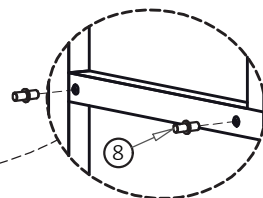


# BANAK

# TRIBECA

TR-0010

20

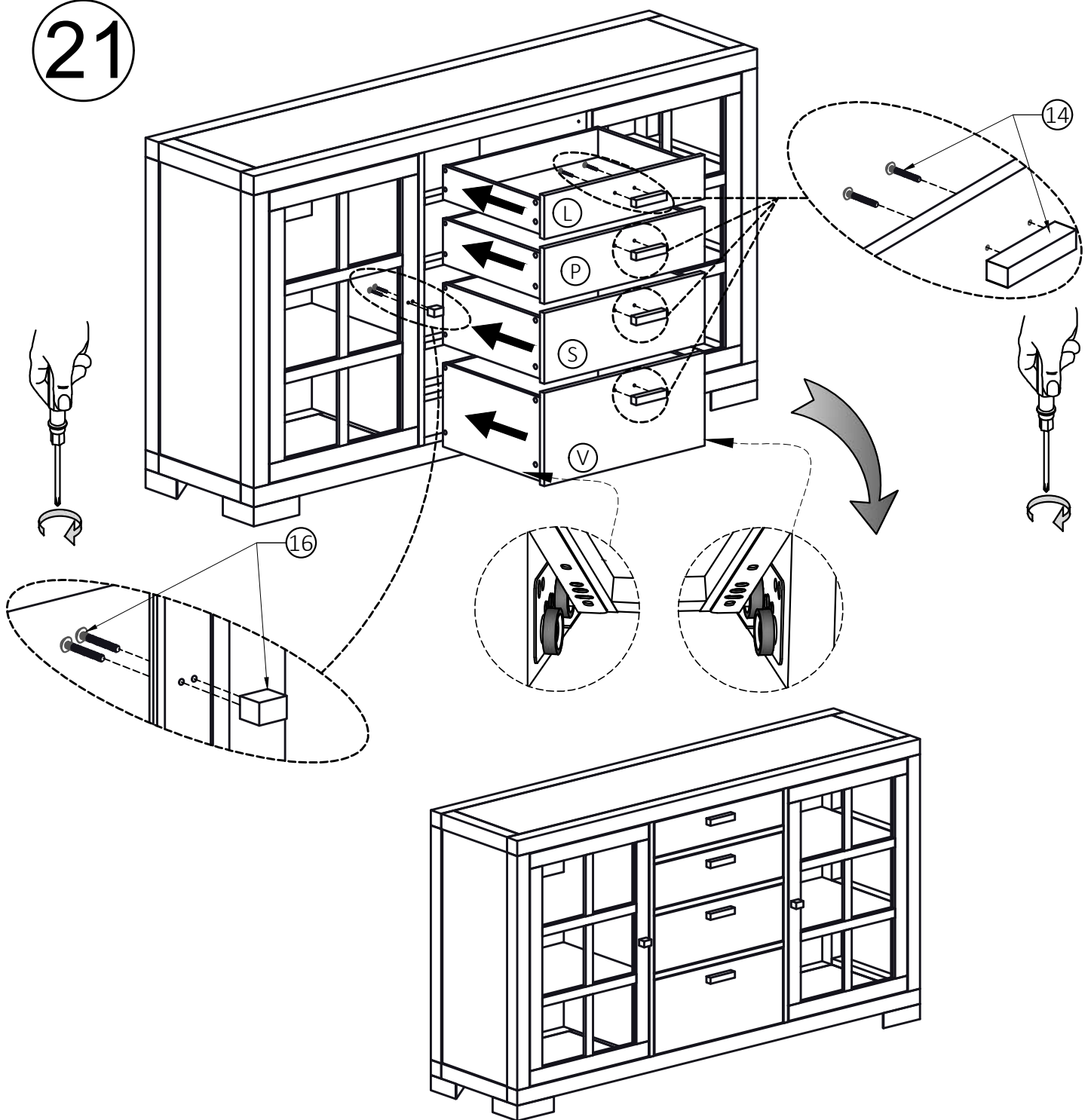


# BANAK

# TRIBECA

TR-0010

21



# BANAK

# TRIBECA

TR-0010

22

